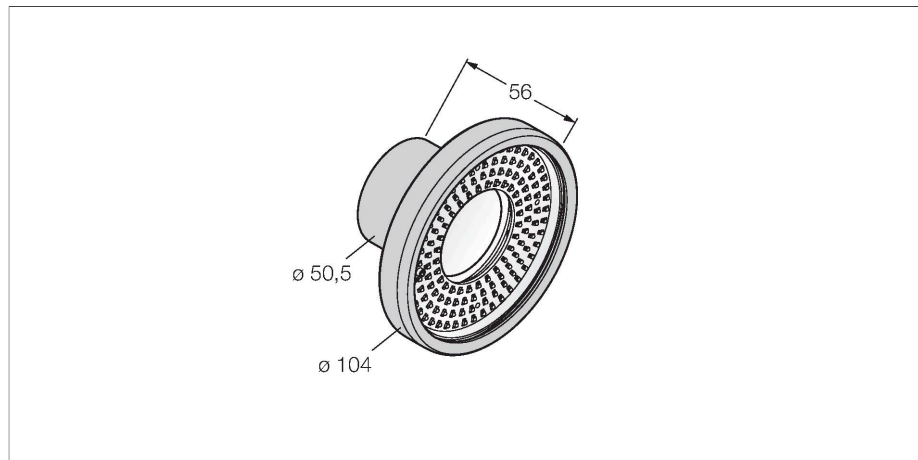


# LEDBR90S-P

## Vision System – ring light



### Features

- Sealed aluminium housing
- Protection class: IP68
- Color: blue
- Power supply: 24 VDC
- M8 x 1 connector

### Wiring diagram



### Technical data

Type	LEDBR90S-P
ID	3076792
<b>Signal and display data</b>	
Purpose	Image processing
Function	Area light
Light type	Blue
Wavelength	465...485 nm
LED service life (L70)	50000 h
Features of color 1	Blue
Special features	Wash down
<b>Electrical data</b>	
Operating voltage	24 VDC
DC rated operational current	≤ 250 mA
Max. current consumption per color	250 mA
<b>Mechanical data</b>	
Design	Rectangular
Dimensions	Ø 104 x 56 mm
Housing material	Metal, Nickel-plated aluminum
Window material	Acrylic, clear
Electrical connection	Connector, M8 × 1, PVC
Number of cores	3
Ambient temperature	0...+50 °C
Protection class	IP68
<b>Tests/approvals</b>	
Approvals	CE, cULus listed

### Functional principle

Directly mounted to the sensor for easy setup. Illumination of objects directly in front of the sensor.