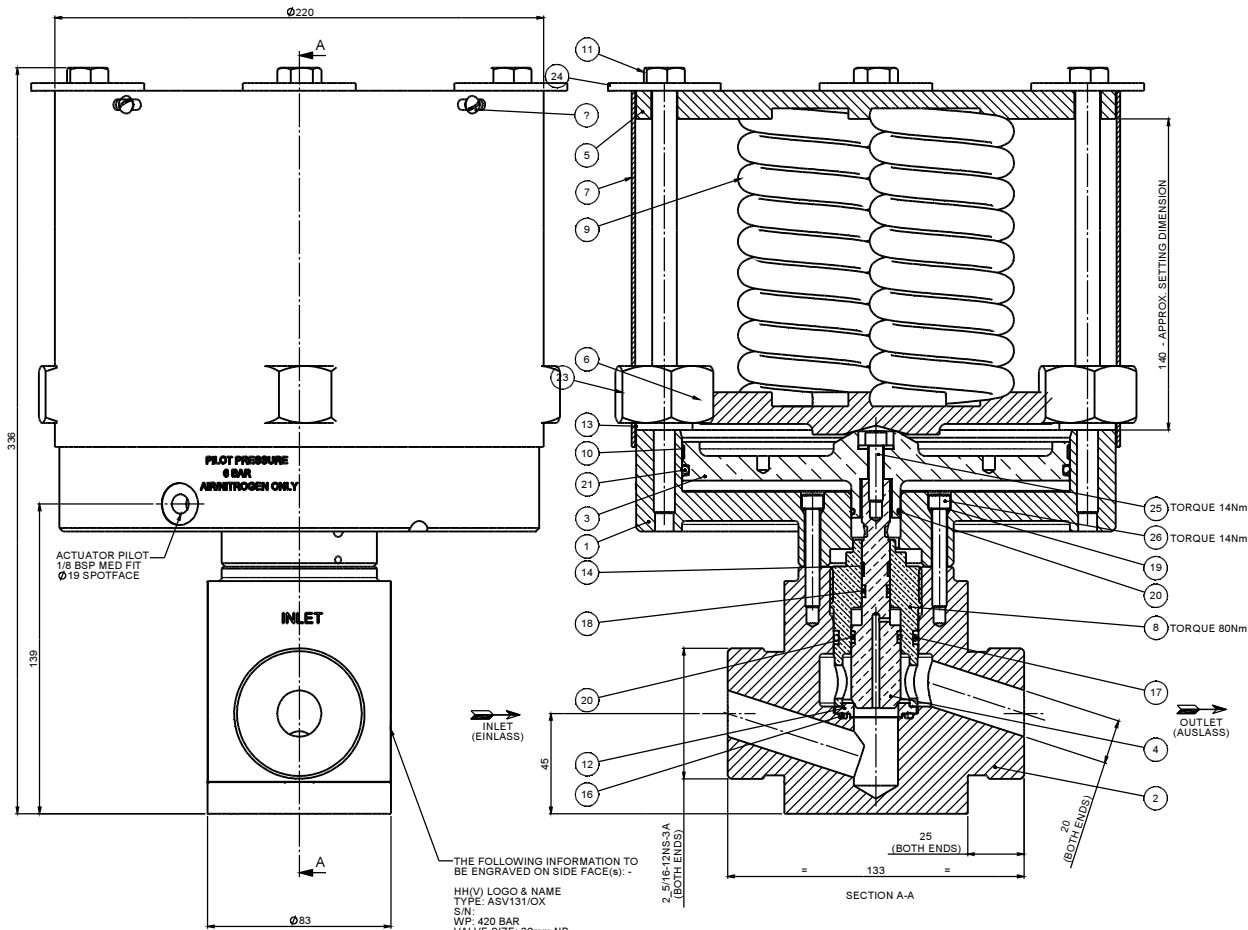


USED ON

BASED ON

GP 17/01/06

GP 06/01/06



TECHNICAL DATA:

MEDIUM - GASEOUS OXYGEN  
 MAX WORKING PRESSURE - 420 BAR (6000 PSI)  
 HYDROSTATIC TEST PRESSURE - 630 BAR (9135 PSI)  
 ACTUATOR OPERATING PRESSURE - 6 BAR (87 PSI)  
 ACTUATOR HYDROSTATIC TEST PRESSURE - 20 BAR (290 PSI)  
 TEMPERATURE OPERATING RANGE - 20°C to 70°C  
 VALVE SEAT SIZE - Ø20mm  
 CLEANING SPECIFICATION - HH(V) SPEC. C7  
 LUBRICATION - USE GLEITMO 565 LUBRICANT ONLY (SPARINGLY ON WETTED PARTS)  
 TEST SPECIFICATION - HH(V) SPEC. 1145

OPERATING INSTRUCTIONS TSD No. 0127 MUST ACCOMPANY EACH VALVE DESPATCHED.

TEST ITEMS -  
 TC205 - RETAINING NUT  
 TC206 - TEST FERRULE  
 TD280 - TEST ADAPTOR  
 BO401 - O RING BS1806-216

ITEM NO.	PART NUMBER	DESCRIPTION	MATERIAL	QTY.
1	NB47443	ACTUATOR BODY	M/STEEL BS970 230M07 ZI.PH.	1
2	NB47453	VALVE BODY	BRASS BS2874 CZ121	1
3	NB47770	PISTON	BRASS BS2874 CZ121	1
4	NC47454	VALVE SPINDLE	BRASS BS2874 CZ121	1
5	NC47771	TOP PLATE	NC47911 (FLAME CUT BLANK)	1
6	NC47772	SPRING CARRIER	NI.AI BRONZE NES833 PL2	1
7	NC47773	ACTUATOR COVER	M/STEEL BS1449 ZI.PH.	1
8	NC47775	CARTRIDGE INSERT	BRASS BS2874 CZ121	1
9	ND46602	SPRING	ST/STEEL BS2056 HS GR 3	2
10	ND47776	SLYDRING	BO8035	1
11	ND47778	BOLT - SPECIAL	M/STEEL BS970 230M07 ZI.PH.	4
12	NE47452	VALVE SEAT	MONEL 500 BS3076 NA18	1
13	NE46666	WASHER	M/STEEL BS970 230M07 ZI.PH.	4
14	NE47777	SLYDRING	BO8035	1
15	BO1860	2 BA x 3/8 LG. RDYD SCREW	ST/STEEL A35C12	4
16	BO5618	O RING BS1806-122	VITON E60C	1
17	BO5621	O RING BS1806-125	VITON E60C	1
18	BO5589	O-RING BS1806-012	VITON E60C	1
19	BO5587	O-RING BS1806-010	VITON E60C	6
20	BO5595	O RING BS1806-018	VITON E60C	2
21	BO6670	O RING BS1806-260	MED NITRILE	1
22	BO3817	1/4" PLAIN WASHER		1
23	Flsby Hex Nut_Hale	Heavy Hex Nut_Hale Hamilton		4
24	BO810	1" PLAIN WASHER ST STL		4
25	BO1128	SOC CAP HD SCREW 1/4-28		1
26	BO3626	SOC CAP HD SCREW 1/4-28 UNF X 1.25" - HTS		6

THE FOLLOWING INFORMATION TO BE ENGRAVED ON SIDE FACE(S) -  
 HH(V) LOGO & NAME  
 TYPE: ASV131/OX  
 S/N:  
 WP: 420 BAR  
 VALVE SIZE: 20mm NB  
 MEDIUM: OXYGEN  
 FLOW DIRECTION ARROW  
 MATERIAL: BRASS BS2874 CZ121  
 BATCH No.

MATERIAL:	CONTRACTOR	CONTRACTORS ORGN:	NA47442	Sheet 1 of 1						
SPECIFICATION:	MOE ESTABLISHMENT	TITLE	20mm ACTUATED STOP VALVE HARD SEAT FOR OXYGEN							
FINISH:	RESPONSIBLE AUTHORITY	NSN	TYPE: - ASV131/OX	10						
SPECIFICATION:	SECURITY CLASSIFICATION & CAVEAT	CHANGE BY:	DATE:	ISSUE:						
TOLERANCE	ESTIMATED MASS	N° OF SHEETS 1								
X.X = ±0.2 mm	24.41 kg	S	C	R	A	DRG N° ORIGIN	SERVICE DRAWING N°	TYPE	SHEET N°	
X.XX = ±0.1 mm		1	2	3	5	10	15	20	25	30
PROJECT N°: 8008	PARTS LIST N°:	REMOVE SHARP CORNERS 24mm MAX RAD. OR CHAMFER UNLESS OTHERWISE STATED.	DWG N°:	SCALE: 1:1	EN					