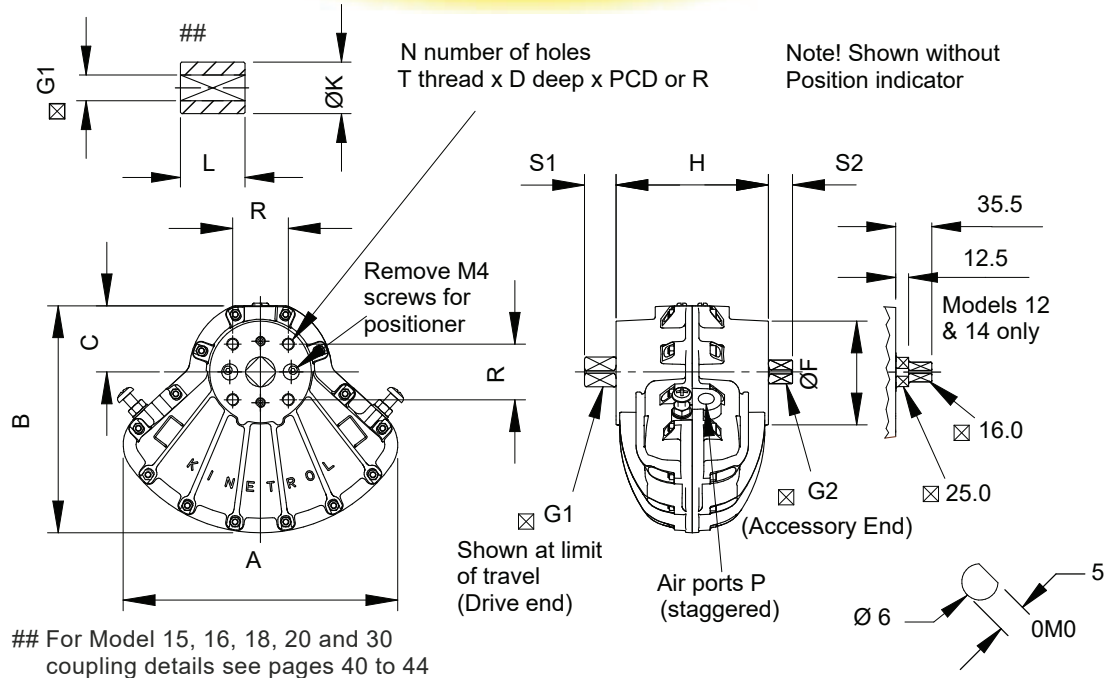


Standard Actuator



For Model 15, 16, 18, 20 and 30 coupling details see pages 40 to 44

Actuator Metric Units

Actuator Model	A mm	B mm	C mm	G1 mm	G2 mm	H mm	ØF mm	S1 mm	S2 mm	N No.	T ISO	D mm	R mm	PCD mm	P ISO	ØK mm	L mm	Wt kg †
0M0	32.0	30.7	12.5	SEE ABOVE		36.0	22.0	10.0	10.0	4	M3	5.0	-	16.0**	M5	-	-	0.12
014	72.0	59.2	14.0	4.8	4.8	38.0	26.0	12.7*	7.0	4	M4	6.0	-	19.0**	G½	9.5	12.7	0.29
014P	73.5	60.0	14.0	4.8	4.8	38.0	26.0	12.7*	7.0	4	Ø4.2	UNIQUE MOUNTING CRS.		G½	9.5	12.7	0.35	
024	91.0	76.0	24.1	8.0	8.0	50.0	29.0	10.0	10.0	4	M4	8.0	18.0	25.5	G½	16.0	20.0	0.46
034	113.0	91.4	28.0	9.0	9.0	60.0	33.6	12.0	12.0	4	M5	10.0	22.0	31.1	G½	18.0	22.0	0.73
054	137.0	113.0	33.6	9.5	9.5	67.0	45.0	13.0	13.0	6	M5	10.0	-	34.9	G½	19.0	25.4	1.28
074	178.0	146.0	43.4	16.0	16.0	100.0	64.0	20.0	20.0	4	M8	16.0	36.0	50.9	G¾	32.0	40.0	3.30
084	208.0	167.0	46.3	17.0	16.0	110.0	65.0	19.0	20.0	4	M8	16.0	49.5	70.0	G¾	36.0	42.0	2.78
094	227.0	187.0	54.7	19.0	16.0	126.0	84.0	26.0	20.0	4	M10	20.0	46.0	65.0	G¾	38.0	50.0	4.16
124	294.0	239.0	68.0	25.0	16.0	156.0	100.0	31.0	35.5	4	M12	24.0	55.0	77.8	G¾	50.0	56.0	7.50
144	380.0	308.0	84.0	28.6	16.0	200.0	128.0	38.0	35.5	4	M16	28.5	69.9	98.8	G¾	57.0	63.5	14.10
154	433.0	353.0	101.0	36.0	16.0	245.0	170.0	41.0	35.5	4	M16	28.5	99.0	140.0	G¾	70.0	80.0	22.40
164	530.0	427.0	125.0	41.0	41.0	274.0	175.0	55.0	55.0	4	M24	38.0	108.0	152.7	G¾	85.0	90.0	39.77
184	680.0	554.0	162.0	57.0	57.0	360.0	286.0	78.0	78.0	4	M30	50.0	160.0	226.3	G¾	115.0	130.0	94.00
204	680.0	554.0	162.0	73.0	73.0	620.0	286.0	100.0	100.0	8	M30	50.0	160.0	226.3	G1	150.0	170.0	211.00
304	680.0	554.0	162.0	73.0	73.0	880.0	286.0	100.0	100.0	8	M30	50.0	160.0	226.3	G1	150.0	170.0	288.40

* INCLUDES PLAIN SHAFT Ø6.35 x 8 LONG

** HOLES ON CENTRE LINES

† All weights include coupling - except 103

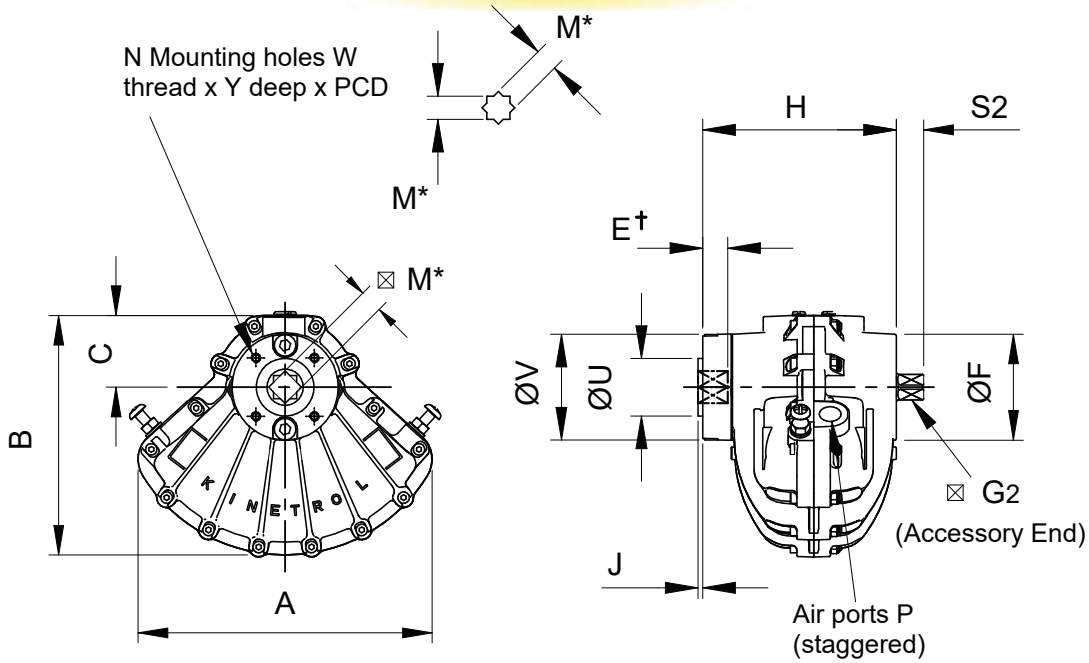
Actuator English Units

Actuator Model	A inch	B inch	C inch	G1 inch	G2 inch	H inch	ØF inch	S1 inch	S2 inch	N No.	T UNC	D inch	R inch	PCD inch	P NPT	ØK inch	L inch	Wt lb †
0M0	1.26	1.21	0.49	SEE ABOVE		1.42	0.87	0.39	0.39	4	M3	0.20	0.390	0.630	M5	-	-	0.26
017	2.83	2.33	0.55	0.187	0.19	1.50	1.02	0.50*	0.28	4	8-32	0.24	-	0.750	½	0.37	0.50	0.63
017P	2.89	2.36	0.55	0.187	0.19	1.50	1.02	0.50*	0.39	4	Ø0.17	UNIQUE MOUNTING CRS.		½	0.37	0.50	0.78	
027	3.58	3.00	0.95	0.315	0.32	1.97	1.14	0.39	0.47	4	8-32	0.31	0.709	1.000	½	0.63	0.79	1.01
037	4.45	3.60	1.10	0.354	0.35	2.36	1.32	0.47	0.51	4	10-24	0.39	0.866	1.225	½	0.71	0.87	1.61
057	5.39	4.41	1.32	0.375	0.37	2.64	1.77	0.51	0.51	6	10-24	0.39	-	1.375	½	0.75	1.00	2.82
077	7.01	5.75	1.71	0.630	0.63	3.94	2.52	0.79	0.79	4	¾-18	0.63	1.417	2.000	¾	1.26	1.57	7.26
087	8.21	6.57	1.82	0.669	0.63	4.33	2.56	0.75	0.79	4	¾-18	0.63	1.949	2.756	¾	1.42	1.65	6.10
097	8.94	7.36	2.16	0.748	0.63	4.96	3.31	1.02	0.79	4	¾-16	0.79	1.811	2.560	¾	1.50	1.97	9.15
107 #	9.00	7.40	2.20	0.866	0.63	6.89	-	0.94	0.79	4	¾-16	0.63	2.839	4.016	¾	-	-	11.90
127	11.57	9.41	2.68	0.984	0.63	6.14	3.94	1.22	1.40	4	½-13	0.94	2.165	3.060	¾	1.97	2.20	16.50
147	14.96	12.13	3.31	1.125	0.63	7.87	5.00	1.50	1.40	4	¾-11	1.12	2.750	3.890	½	2.24	2.50	31.10
157	17.05	13.90	3.98	1.417	0.63	9.65	6.70	1.61	1.40	4	¾-11	1.12	3.900	5.512	½	2.76	3.15	49.30
167	20.87	16.81	4.92	1.614	1.61	10.79	6.90	2.17	2.17	4	¾-9	1.50	4.250	6.010	½	3.35	3.54	87.49
187	26.77	21.81	6.38	2.244	2.24	14.17	11.26	3.07	3.07	4	1½-7	1.97	6.300	8.910	¾	4.53	5.12	207.23
207	26.77	21.81	6.38	2.874	2.87	24.41	11.26	3.94	3.94	8	1½-7	1.97	6.300	8.910	1	5.91	6.69	464.20
307	26.77	21.81	6.38	2.874	2.87	34.65	11.26	3.94	3.94	8	1½-7	1.97	6.300	8.910	1	5.91	6.69	634.50

FEMALE DRIVE

† All weights include coupling - except 107

ISO/DIN Options



ISO/DIN Options

Actuator Model	A mm	B mm	C mm	H mm	ØF mm	ISO/DIN flange no.	M* mm	V mm	ØU mm	PCD mm	N No.	W mm	Y(Min) mm	J mm	E† mm	P Port	G2 mm	S2 mm
023	91.0	76.0	24.1	66.0	29.0	F03	9	46	25	36	4	M5	8	2	10	G¼	8.0	10.0
033	113.0	91.4	28.0	74.0	33.6	F03	9	46	25	36	4	M5	8	2	10	G¼	9.0	12.0
053	137.0	113.0	33.6	81.0	45.0	F04	11	54	30	42	4	M5	8	2	12	G¼	9.5	13.0
073	178.0	146.0	43.4	117.0	64.0	F05	14	64	35	50	4	M6	10	3	16	G¼	16.0	20.0
083	208.0	167.0	46.3	133.0	65.0	F07	17	70	55	70	4	M8	16	3	19	G¼	16.0	20.0
093	227.0	187.0	54.7	146.0	84.0	F07	17	85	55	70	4	M8	13	3	19	G¼	16.0	20.0
103	229.0	188.0	57.0	175.0	-	F10	22	-	-	102	4	M10	16	-	24	G¼	16.0	20.0
123	294.0	239.0	68.0	180.5	100.0	F10	22	125	70	102	4	M10	16	3	24	G¾	16.0	35.5
143	380.0	308.0	84.0	226.5	127.0	F12	27	150	85	125	4	M12	20	3	29	G½	16.0	35.5
163	530.0	427.0	125.0	380.0	175.0	F16	46	203	130	165	4	M20	32	4	48	G½	41.0	55.0
183	680.0	554.0	162.0	501.0	286.0	F25	55	300	200	254	8	M16	24	4	57	G¾	57.0	78.0
203	680.0	554.0	162.0	800.0	286.0	F30	75	350	230	298	8	M20	30	4	77	G1	73.0	100.0

† Minimum

* Models 02, 03, 05, 07, 09, 12 and 14 are female star drive, all other models are female square drive

Actuator General Specification

Casing: Models 0M0, 01, 02, 03, 05 & 07 Pressure die cast ZL16 zinc alloy.

Models 08, 09, 10, 12, 14, 15, 16, 18, 20 & 30 Die cast or sand cast aluminium alloy.

Vane & output shaft: Models 0M0, 01, 02, 03 and 05 stainless steel. Models 07 to 30 SG iron, zinc plated.

Shaft bushes: PTFE coated bronze.

Seals: Moulded polyurethane. High and low temperature seals also available - contact Kinetrol.

Seal expanders: Stainless spring steel.

Couplings: Weldable mild steel, zinc plated.

Working temperature range: -40°C (-40°F) to +80°C (176°F).

High temperature option: -20°C (-4°F) to +100°C (212°F).

*If consulted Kinetrol may, under certain circumstances/conditions, be prepared to extend its high temperature limits

Low temperature option: -54°C (-65.2°F) to +60°C (140°F) include option "W" at end of actuator coding.

*Contact Kinetrol for Atex Approval rating.

Maximum recommended working pressure: 100 psi (7 bar)

Maximum overload pressure: 150 psi (10 bar)

