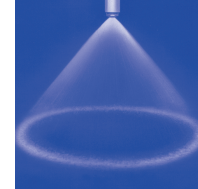




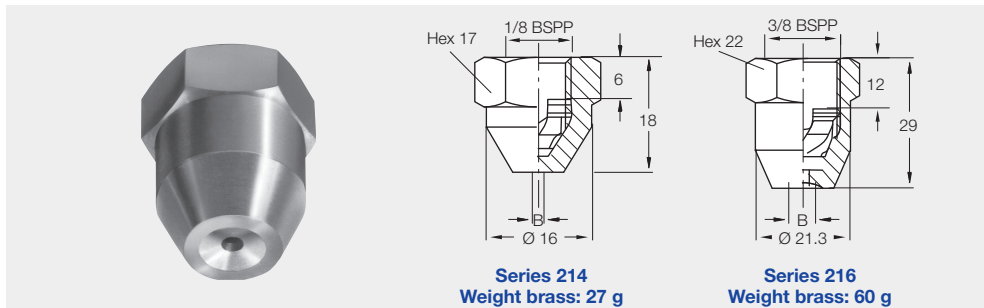
Axial-flow hollow cone nozzles Series 214 / 216





Fine, uniform hollow cone spray.

Applications:

Cooling and cleaning of air and gas, dust control, spraying onto filters, spray drying, desuperheating.



Hollow cone nozzles

Spray angle 	Ordering no.		G	B Ø [mm]	E Ø [mm]	V̇ [l/min]							Spray diameter D at p = 3 bar  H = 250 mm	
	Type	Mat. no.				p [bar]								
		17 316Ti SS				30 Brass	0.5	1.0	2.0	3.0	5.0	10.0		20.0
60°	214.184	○	○	1/8	0.50	0.50	-	-	0.08	0.10	0.13	0.18	0.25	200
	214.245	○	○	1/8	1.00	0.50	-	-	0.16	0.20	0.25	0.36	0.51	450
	214.305	○	○	1/8	1.80	0.50	-	0.23	0.32	0.39	0.51	0.72	1.01	450
60°	216.324	○	○	3/8	1.00	1.00	-	0.28	0.40	0.49	0.63	0.89	1.26	200
	216.364	○	○	3/8	1.40	1.40	-	0.45	0.63	0.77	1.00	1.41	1.99	200
	216.404	○	○	3/8	2.00	2.00	-	0.71	1.00	1.22	1.58	2.24	3.16	200
90°	216.496	○	○	3/8	3.00	2.00	-	1.20	1.70	2.08	2.69	3.80	5.38	500
	216.566	○	○	3/8	4.00	2.00	-	1.77	2.50	3.06	3.95	5.59	7.91	500
	216.646	○	○	3/8	3.50	2.00	2.00	2.83	4.00	4.90	6.32	8.94	12.65	500
	216.686	○	○	3/8	4.00	2.00	2.50	3.54	5.00	6.12	7.91	11.18	15.81	500
	216.726	○	○	3/8	5.00	2.00	3.15	4.45	6.30	7.72	9.96	14.09	19.92	500
	216.776	○	○	3/8	6.00	2.00	4.30	6.00	8.50	10.40	13.40	19.00	26.90	500

B = bore diameter · E = narrowest free cross section

Example for ordering	Type	+	Material no.	=	Ordering no.
	214.184	+	17	=	214.184.17

The folded page at the end of the catalogue will give you a survey on the various assembly possibilities. For complete assembly accessories, please refer to »Accessories«.

Conversion formula for the above series: $\dot{V}_2 = \dot{V}_1 * \sqrt{\frac{p_2}{p_1}}$