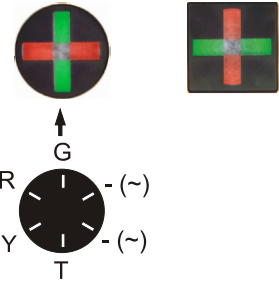
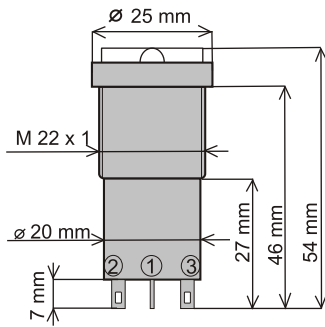
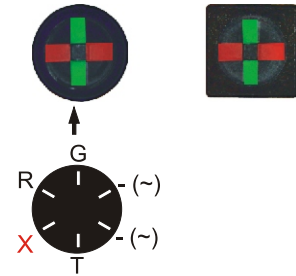
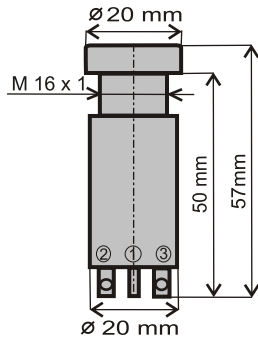


III. Level indicator with built-in test

SUS-01 T



SUS-02 T



Technical specifications:

Running voltage:	12 to 230 V AC, DC
Nominal current:	max. 20 mA
Protection:	IP65/ IP00 terminals from the side
LED service life:	up to 100,000 service hours
Mounting hole:	SUS-01 T 22 mm, SUS-02 T 16 mm
Holes spacing:	min. 30 mm
Panel thickness:	max. 12 mm
Connection method:	Faston 2.8 x 0.8 x 7.0 mm
X = vacant position	

Advantage:

For SUS-01.T and SUS-02.T, third colour may be connected in the middle of the indicator.

Order specification example:

SUS-01.T.Q G/R 220DC
SUS-02.T G/R/Y 110DC

Type	Colour	Voltage
S U S - 0 1 . T . Q	G / R	2 2 0 D C
S U S - 0 2 . T	G / R / Y	1 1 0 D C

T WITH LED BUILT-IN TEST	ROUND DESIGN SQUARE DESIGN Q	X <input type="checkbox"/> WITHOUT LED	AC ALTERNATING DC DIRECT
--------------------------	---------------------------------	--	-----------------------------

FASTON 1	FASTON 2	FASTON 4	Voltage
R RED	R RED	R RED	12 V
G GREEN	G GREEN	G GREEN	24 V
B BLUE	B BLUE	B BLUE	48 V
W WHITE	W WHITE	W WHITE	60 V
Y YELLOW	Y YELLOW	Y YELLOW	110 V
O ORANGE	O ORANGE	O ORANGE	125 V
			220 V
			230 V

Accessories: Socket wrench M22, see page 35.



Průmyslová 720
682 01 Vyškov CZ

Tel.: +420 517 344 344
Fax: +420 517 333 566

<http://www.eleco.cz>
e-mail: order@eleco.cz

ISO 9001