



**POMMIER**  
innovative solutions for trucks

TRUCK  
ACCESSORIES



2017







## **SPRZĘGI**

Haki, pierścienie, KONEXO, belki, DIN40 i 50, inne

1

## **ZDERZAKI TYLNE**

Poziome, stałe, pochylone/podniesione, specjalne, różne

2

## **ZACISKI / NAROŻNIKI DO MOCOWANIA**

Łapy dociskowe, koziółki jaskółczy ogon, nity

3

## **OSŁONY BOCZNE**

Ruchome, stałe, akcesoria

4

## **SKRZYNKI**

Stal nierdzewna, Stal, Tworzywo sztuczne, Akcesoria, Inne

5

## **BŁOTNIKI / FARTUCHY / AKCESORIA DO KÓŁ**

Błotniki, chlapacze, podstawki pod koła, wciągarka pod koła

6

## **ODBOJE / ZDERZAKI**

Proste, zderzaki, Butroll, Butstop

7

## **DOSTĘP**

Drabinki, drabiny, stopnie

8

## **DRZWI I AKCESORIA**

Drzwi tylne, drzwi boczne, płyty, aluminium, ustalacze położenia drzwi, inne

9

## **USZCZELKI**

PVC, guma, komórkowe

10

## **ZAMKNIĘCIA I ZAMKI**

Klamki, rygle, żabki, zamki, zaczep pokrywy

11

## **ZAMKNIĘCIA RYGLOWE**

Średnica 16, 18, 22, 27, wbudowane, przeciw włamaniowy, ścienny

12

## **ZAWIASY**

Stal nierdzewna, stal, aluminium, mosiądz, tworzywo, znal

13

## **PROFILE Z ALUMINIUM**

Wewnętrzne, zewnętrzne, szyny, rynienki, wspornik płyt, kątowniki, narożniki, profile narożne, profile wypustu

14

## **BURTY I AKCESORIA**

Burty, kłonicie, zaczepy, zawiasy, zamknięcia

15

## **MOCOWANIA / OCHRONA / ZABEZPIECZENIE**

Ucha, wykładziny, taśmy, ucha, gaśnice, lusterka, klamki

16

## **OŚWIETLENIE I SYGNALIZACJA**

Oświetlenie sufitowe, pasy, tablice

17

## **WYPOSAŻENIE SKRZYNEK**

Pokrycia podłogowe, wentylacja, okna, uszczelki, półki regałów, półki

18

## **WSPOMAGANIE PRZY PODNOSZENIU**

Sprężyny, podnośniki

19

## **AKCESORIA DO POJAZDÓW Z PLANDEKĄ**

Dachy TriAX, dachy Open, napinacze, kłonicie przesuwne, stopy kłonicy

20

## **AKCESORIA DO CHŁODNI**

Kłapy, drążki do zawieszania, podnośniki, ścianki działowe

21

## **AKCESORIA DO WYWROTEK I PŁYT PRZYCZEPY**

Zawiasy, rygle, przeguby, okucia, rolki

22

## **AKCESORIA DO NADWOZI WYMIENNYCH I KONTENERÓW**

Belki, płyty, podpory, zamki, narożniki

23

**Wszystkie dane zawarte w fotografii, rysunków i wykresów nie są umowne i mają charakter orientacyjny**

Zastrzegamy sobie prawo wnoszenia bez uprzedzenia do wszystkich naszych wyrobów niezbędnych zmian mogących się przyczynić do ich ulepszenia.

Kopiowanie katalogu, nawet w części, j bez uprzedniej zgody firmy POMMIER jest niedozwolone.  
Katalog niniejszy został opracowany pod kierunkiem działu Marketingu Wyrobów

## **COUPLINGS**

*Couplings, drawbar eyes, KONEXO, towing yokes, DIN 40 & 50*

**1**

## **UNDERRUN BAR**

*Horizontal, fixed, tilted, elevating, special, others*

**2**

## **BODY CLAMPS / BRACKETS**

*Body clamps, brackets*

**3**

## **SIDE GUARDS**

*Tilted, fixed, accessories*

**4**

## **TOOL-BOXES**

*Stainless steel, plastic, accessories*

**5**

## **MUDGUARDS / MUD FLAPS / WHEEL ACCESSORIES**

*Mudguards, mud flaps, wheel shock, spare wheel carrier*

**6**

## **BUFFERS / ABUTMENT**

*Square rubber fenders, delta rubber fender, Butroll, S.Roll*

**7**

## **ACCESS**

*Folding steps, ladders, platform steps*

**8**

## **DOORS AND ACCESSORIES**

*Back doors, side doors, panel, aluminum, door retainers, others*

**9**

## **SEALS**

*PVC door seals, Rubber profiles, Sponge rubber profiles*

**10**

## **CLOSURES AND LOCKS**

*Look handles, paddle handles, toggle fasteners, locks, bonnet fasteners*

**11**

## **LOCKING GEARS**

*Ø 16, 18, 22, 27, recessed, anti-rack, external*

**12**

## **HINGES**

*Stainless steel, steel, aluminum, brass, plastic, chrome plated zinc*

**13**

## **ALUMINUM PROFILES**

*Inside, outside, rails, gutters, edging sections, corners,, corner profiles, center strip profiles*

**14**

## **DROPSIDES AND ACCESSORIES**

*Drop sides, pillars, keepers, hinges, locks*

**15**

## **LASHING / PROTECTION / SECURITY**

*Lashing rings, padding, straps, extinguishers, rear-view mirror, handles*

**16**

## **LIGHTING AND WARNING PLATES**

*Ceiling lights, surface and recessed lighting, warning plates*

**17**

## **BOX ACCESSORIES**

*Non-slip covering, ventilators, windows, seals, clayettes, shelves*

**18**

## **LIFTING AND SLIDING SYSTEMS**

*Gas springs, raising systems*

**19**

## **COVERED VEHICLES ACCESSORIES**

*Tri-ax sliding roofs, Open sliding roofs, curtain tensioners, sliding pillars, ranchers*

**20**

## **FRIDGE VEHICLES ACCESSORIES**

*Trap doors, meat hanging systems, lifting and sliding systems*

**21**

## **TIPER ACCESSORIES**

*Hinges, locking, articulations, fobs, rollers*

**22**

## **CONTAINER ACCESSORIES**

*Crossbars, panels, crutches, bolts, corners*

**23**

**The whole specifications on photography, drawings and diagrams are not contractual, and are given as an indication.**

*The whole specifications on photography, drawings and diagrams are not contractual, and are given as an indication.  
We reserve the right to modify any or all of our products, since these modifications are often required to introduce improvements.  
No right is granted to reproduce this catalogue in part or in whole.  
This catalogue was published by the Product Marketing Unit.*



|           |     |           |     |            |     |
|-----------|-----|-----------|-----|------------|-----|
| 0804489GM | 579 | 1132220A  | 251 | 1132442EC  | 259 |
| 0804489PM | 579 | 1132225   | 251 | 1132442FA  | 259 |
| 0844888   | 299 | 1132230   | 251 | 1132442FB  | 259 |
| 0844889   | 299 | 1132235   | 252 | 1132442FC  | 259 |
| 0844890GM | 579 | 1132240   | 252 | 1132442HA  | 259 |
| 0844892   | 580 | 1132245   | 252 | 1132442LA  | 259 |
| 0844894   | 580 | 1132302   | 258 | 1132575    | 262 |
| 0844894RE | 580 | 1132343   | 258 | 1132576    | 262 |
| 0844897C  | 301 | 1132350   | 257 | 1132579    | 261 |
| 0844898   | 300 | 1132372   | 256 | 1132580    | 261 |
| 0844899   | 300 | 1132374   | 251 | 1132581    | 261 |
| 0844900   | 299 | 1132375   | 251 | 1132582    | 261 |
| 0844901   | 299 | 1132375A  | 251 | 1132583    | 262 |
| 0844902   | 300 | 1132375B  | 251 | 1132585    | 261 |
| 0844903   | 577 | 1132376   | 251 | 1132586    | 262 |
| 0844903ED | 577 | 1132377   | 253 | 1132588    | 261 |
| 0844903EG | 577 | 1132378   | 253 | 1132589    | 262 |
| 0844903PR | 577 | 1132379   | 253 | 1132590    | 262 |
| 0844904   | 577 | 1132383   | 251 | 1132592    | 261 |
| 0844905   | 576 | 1132383A  | 251 | 1132594    | 261 |
| 0844906   | 576 | 1132383B  | 251 | 1132596    | 262 |
| 0844907   | 576 | 1132384   | 252 | 1132597    | 262 |
| 0844909   | 299 | 1132385   | 251 | 1132599 BL | 262 |
| 0844915DR | 300 | 1132386   | 251 | 1132599 GC | 262 |
| 0844915GA | 300 | 1132386B  | 251 | 1132599 NO | 262 |
| 0903684   | 265 | 1132387   | 253 | 1132600    | 259 |
| 0903684IN | 265 | 1132388   | 253 | 1132601    | 259 |
| 0903685   | 265 | 1132389   | 252 | 1145695    | 257 |
| 0903687   | 265 | 1132389BN | 252 | 1203173    | 258 |
| 0904452   | 267 | 1132390   | 253 | 1203174    | 258 |
| 0904453   | 267 | 1132391   | 251 | 1203235    | 256 |
| 0904454   | 267 | 1132392   | 252 | 1203242    | 256 |
| 0936841   | 265 | 1132393   | 253 | 1203255    | 256 |
| 0937050   | 266 | 1132394   | 253 | 1203257    | 256 |
| 0944520IN | 268 | 1132395   | 252 | 1232040    | 257 |
| 0944520ZI | 268 | 1132397   | 251 | 1232351    | 256 |
| 0944521   | 268 | 1132398   | 252 | 1232410    | 256 |
| 0944522ZI | 269 | 1132400   | 251 | 1232455    | 257 |
| 0944523   | 269 | 1132401   | 251 | 1232510    | 253 |
| 0944530   | 267 | 1132402   | 252 | 1232514    | 253 |
| 0944531   | 268 | 1132403   | 252 | 1232515NO  | 254 |
| 0944532   | 269 | 1132441EC | 259 | 1232516    | 254 |
| 0944540   | 266 | 1132441ED | 259 | 1232518    | 253 |
| 0944541   | 268 | 1132441FD | 259 | 1232541    | 253 |
| 0944542   | 269 | 1132441FF | 259 | 1232543    | 257 |
| 0944543   | 266 | 1132441HD | 259 | 1232543    | 454 |
| 0944543IN | 266 | 1132441HE | 259 | 1232544    | 460 |
| 1103198   | 258 | 1132441HF | 259 | 1232546    | 257 |
| 1103199   | 253 | 1132442BA | 259 | 1232550    | 256 |
| 1103221   | 260 | 1132442BB | 259 | 1232554    | 258 |
| 1103222   | 260 | 1132442CA | 259 | 1232554CO  | 258 |
| 1103223   | 260 | 1132442CB | 259 | 1232557    | 452 |
| 1103225   | 260 | 1132442CC | 259 | 1232560    | 258 |
| 1103226   | 260 | 1132442CF | 259 | 1232561    | 235 |
| 1103243B  | 260 | 1132442CM | 259 | 1232566    | 228 |
| 1103243C  | 260 | 1132442DA | 259 | 1232566    | 230 |
| 1103243K  | 260 | 1132442DB | 259 | 1232566    | 234 |
| 1131741   | 260 | 1132442DC | 259 | 1232566CO  | 230 |
| 1132190   | 258 | 1132442DD | 259 | 1232566CO  | 234 |
| 1132191   | 258 | 1132442DF | 259 | 1232568    | 228 |
| 1132215   | 251 | 1132442DM | 259 | 1232568    | 230 |
| 1132216   | 251 | 1132442EA | 259 | 1232568    | 234 |
| 1132219A  | 251 | 1132442EB | 259 | 1232568CO  | 230 |

|           |     |           |     |           |     |
|-----------|-----|-----------|-----|-----------|-----|
| 1232568CO | 234 | 1636730   | 437 | 1940016CV | 308 |
| 1232569   | 228 | 1636731   | 431 | 1940017   | 315 |
| 1232569   | 230 | 1636731DR | 431 | 1940017JI | 315 |
| 1232569   | 234 | 1636731GA | 431 | 1940017JS | 315 |
| 1232569CO | 230 | 1636732   | 431 | 1940017MN | 315 |
| 1232569CO | 234 | 1636733   | 437 | 1940019MN | 315 |
| 1503581   | 435 | 1636733VI | 117 | 1940670   | 526 |
| 1503582   | 435 | 1636733VI | 437 | 1940670AN | 526 |
| 1503591   | 435 | 1636735AN | 437 | 2004389   | 582 |
| 1503600   | 435 | 1636736   | 449 | 2043800   | 581 |
| 1503605   | 435 | 1636736E  | 449 | 2043802   | 581 |
| 1503629   | 435 | 1636737   | 449 | 2043810   | 582 |
| 1503634   | 436 | 1636737E  | 449 | 2043820   | 582 |
| 1503637   | 436 | 1636738   | 440 | 2043830   | 582 |
| 1536080   | 435 | 1636739   | 437 | 2043912A  | 570 |
| 1536083   | 435 | 1636740   | 439 | 2043912B  | 570 |
| 1635731   | 436 | 1636741VI | 437 | 2043912D  | 570 |
| 1635741   | 436 | 1636742   | 211 | 2043913D  | 570 |
| 1636492   | 450 | 1636743   | 211 | 2043913F  | 570 |
| 1636494   | 450 | 1636747   | 431 | 2043913H  | 570 |
| 1636495   | 450 | 1636748   | 431 | 2043914C  | 570 |
| 1636497   | 450 | 1636751   | 449 | 2043914D  | 570 |
| 1636522NO | 450 | 1636761   | 431 | 2043914H  | 570 |
| 1636522RO | 450 | 1636762   | 431 | 2043914K  | 570 |
| 1636523NO | 448 | 1636780AN | 445 | 2043915F  | 570 |
| 1636523NO | 450 | 1636780AR | 445 | 2043915G  | 570 |
| 1636660AN | 444 | 1636791NO | 450 | 2043915J  | 570 |
| 1636660AR | 444 | 1636793NO | 450 | 2043916J  | 570 |
| 1636660AR | 446 | 1636793RO | 450 | 2043916PI | 570 |
| 1636662AN | 446 | 1636795NO | 450 | 2043917F  | 572 |
| 1636663AN | 445 | 1636795RO | 450 | 2043917G  | 572 |
| 1636663AR | 445 | 1636798GR | 450 | 2043917J  | 572 |
| 1636665AN | 444 | 1637591   | 436 | 2043918F  | 571 |
| 1636665AR | 444 | 1637596   | 436 | 2043918H  | 571 |
| 1636667AN | 444 | 1637597   | 259 | 2043918J  | 571 |
| 1636667EA | 444 | 1637597   | 455 | 2043918K  | 571 |
| 1636675AN | 446 | 1637598   | 259 | 2043919D  | 572 |
| 1636677AN | 446 | 1637598   | 455 | 2043919F  | 572 |
| 1636699   | 435 | 1804002   | 273 | 2043919H  | 572 |
| 1636701AN | 447 | 1804003   | 273 | 2043920E  | 571 |
| 1636701AR | 447 | 1804015   | 274 | 2043920G  | 571 |
| 1636701EA | 447 | 1804018   | 274 | 2043920I  | 571 |
| 1636708   | 448 | 1804020   | 275 | 2043920J  | 571 |
| 1636711AN | 440 | 1804046   | 525 | 2043921K  | 571 |
| 1636715   | 441 | 1804048   | 525 | 2043921M  | 571 |
| 1636716   | 439 | 1804050 S | 524 | 2043921P  | 571 |
| 1636717   | 437 | 1804060   | 278 | 2043921PI | 570 |
| 1636719AN | 448 | 1804075   | 525 | 2043921TI | 570 |
| 1636719NO | 448 | 1804078   | 527 | 2043921WI | 570 |
| 1636722   | 438 | 1804079   | 527 | 2043922D  | 570 |
| 1636723AR | 449 | 1839962   | 270 | 2043922F  | 570 |
| 1636723BR | 449 | 1839980   | 273 | 2043922H  | 570 |
| 1636724AR | 449 | 1840051   | 272 | 2043922J  | 571 |
| 1636724BR | 449 | 1840140CV | 271 | 2043922JI | 570 |
| 1636725AN | 448 | 1840140MN | 271 | 2043922M  | 571 |
| 1636725AR | 448 | 1840145   | 524 | 2043922P  | 571 |
| 1636725AR | 448 | 1840291   | 274 | 2043922PI | 570 |
| 1636725NO | 448 | 1841101CV | 271 | 2043922S  | 571 |
| 1636726   | 449 | 1841101MN | 271 | 2043922SI | 570 |
| 1636726   | 450 | 1904063   | 278 | 2043922VI | 570 |
| 1636727   | 448 | 1904064   | 278 | 2043922WI | 570 |
| 1636727   | 450 | 1940011   | 272 | 2043923F  | 570 |
| 1636729   | 437 | 1940016   | 308 | 2043923J  | 570 |

|           |     |           |     |             |     |
|-----------|-----|-----------|-----|-------------|-----|
| 2043923M  | 571 | 2141212   | 285 | 2304437CD   | 324 |
| 2043923P  | 571 | 2141215   | 290 | 2304437CG   | 324 |
| 2043923PI | 570 | 2141217   | 290 | 23111111-16 | 294 |
| 2043923TI | 570 | 2141217BA | 290 | 2311738-05  | 270 |
| 2043924D  | 571 | 2141218   | 289 | 2312043-01  | 278 |
| 2043924F  | 571 | 2141218MN | 289 | 2312180-16  | 292 |
| 2043924H  | 571 | 2141220DR | 284 | 2312181-16  | 292 |
| 2043924J  | 571 | 2141220GA | 284 | 2314498-01  | 293 |
| 2043924M  | 571 | 2141230   | 301 | 2314499-01  | 293 |
| 2043924MI | 571 | 2141231   | 301 | 2315276-01  | 293 |
| 2043924P  | 571 | 2141234   | 302 | 2316268-13  | 306 |
| 2043924PI | 571 | 2141235   | 302 | 2318610-01  | 292 |
| 2043924TI | 571 | 2141236   | 303 | 2318611-01  | 292 |
| 2043924VI | 571 | 2141238   | 287 | 2319244-01  | 294 |
| 2043926   | 574 | 2141239   | 287 | 2320599-05  | 291 |
| 2043927   | 574 | 2141865DR | 307 | 2322672-03  | 291 |
| 2043928   | 574 | 2141865GA | 307 | 2323015-02  | 291 |
| 2043929   | 575 | 2141865GS | 307 | 2323016-02  | 291 |
| 2043930   | 575 | 2141990DR | 294 | 2344308PT   | 305 |
| 2043931   | 575 | 2141990GA | 294 | 2344372     | 276 |
| 2043932   | 573 | 2141991   | 294 | 2344373     | 275 |
| 2043932SO | 573 | 2141992   | 310 | 2344373BA   | 275 |
| 2043933   | 573 | 2141995DR | 303 | 2344373MN   | 275 |
| 2043934   | 573 | 2141995GA | 303 | 2344374     | 275 |
| 2043935   | 573 | 2141997   | 304 | 2344378     | 276 |
| 2043936   | 574 | 2141999DR | 304 | 2344380     | 623 |
| 2043937   | 574 | 2141999GA | 304 | 2344439     | 378 |
| 2043938   | 573 | 2143281   | 280 | 2344445     | 345 |
| 2104197CD | 311 | 2143281IN | 280 | 2344445BO   | 345 |
| 2104197CG | 311 | 2143282   | 280 | 2344445PO   | 344 |
| 2104199DR | 310 | 2143282IN | 280 | 2344448BA   | 378 |
| 2104199GA | 310 | 2143283   | 280 | 2344454     | 353 |
| 2104253MN | 277 | 2143321   | 279 | 2344454BO   | 353 |
| 2104254MN | 277 | 02160309L | 382 | 2344455     | 362 |
| 2104255MN | 277 | 02160309M | 380 | 2344455BO   | 362 |
| 2104256MN | 277 | 02160311A | 328 | 2344457     | 361 |
| 2104261CV | 277 | 02160311B | 328 | 2344466GO   | 229 |
| 2104262   | 278 | 2204354IN | 297 | 2344466GO   | 233 |
| 2104263CV | 277 | 2204354ZI | 297 | 2344494AX   | 374 |
| 2104304   | 311 | 2243330   | 296 | 2344522VP   | 608 |
| 2104325DR | 279 | 2243340   | 296 | 2344530GA   | 369 |
| 2104325GA | 279 | 2243350   | 296 | 2344533PI   | 371 |
| 2104325ID | 279 | 2243360   | 297 | 2344540     | 305 |
| 2104325IG | 279 | 2243361   | 298 | 2344541B    | 305 |
| 2104333   | 279 | 2243363   | 298 | 2344541C    | 305 |
| 2137622   | 306 | 2243370   | 295 | 2344541D    | 305 |
| 2141199DR | 314 | 2243371   | 295 | 2344550BA   | 309 |
| 2141199GA | 314 | 2243372   | 295 | 2344550CV   | 308 |
| 2141200   | 286 | 2243470CD | 321 | 2344550GA   | 309 |
| 2141200MN | 286 | 2243470CG | 321 | 2344550MN   | 308 |
| 2141201   | 286 | 2243481PO | 385 | 2344551     | 309 |
| 2141201MN | 286 | 2243482FD | 322 | 2344552     | 309 |
| 2141203   | 287 | 2243482FG | 322 | 2344559PO   | 607 |
| 2141203JO | 288 | 2243482MD | 385 | 2344571BO   | 346 |
| 2141204   | 288 | 2243483FD | 322 | 2344572BB   | 349 |
| 2141205   | 288 | 2243483FG | 322 | 2344572BH   | 349 |
| 2141205GA | 289 | 2243483MG | 385 | 2344572BO   | 347 |
| 2141205GA | 314 | 2243484FD | 323 | 2344600     | 363 |
| 2141205PR | 289 | 2243484FG | 323 | 2344710CC   | 325 |
| 2141205PR | 314 | 2243485FD | 323 | 2380801     | 295 |
| 2141210   | 283 | 2243485FG | 323 | 2380802     | 295 |
| 2141211DR | 285 | 2243491   | 385 | 2381623-16  | 295 |
| 2141211GA | 285 | 2243541   | 297 | 2381687-16  | 294 |

|            |     |           |     |           |     |
|------------|-----|-----------|-----|-----------|-----|
| 2403788    | 245 | 2637120   | 429 | 2744424   | 430 |
| 2437819    | 246 | 2637131   | 429 | 2744425   | 430 |
| 2437820    | 246 | 2637132   | 429 | 2744428   | 430 |
| 2437828    | 243 | 2637133   | 429 | 2744429   | 430 |
| 2437828BU  | 243 | 2637134   | 429 | 2903612   | 87  |
| 2437828CO  | 243 | 2637135   | 429 | 2904463DR | 81  |
| 2437828MA  | 243 | 2637136   | 235 | 2904463GA | 81  |
| 2537813    | 245 | 2637136   | 429 | 2904464DR | 81  |
| 2537813BU  | 245 | 2637598   | 419 | 2904464GA | 81  |
| 2537813MA  | 245 | 2637603   | 420 | 2904465DR | 81  |
| 2537814    | 242 | 2637990JJ | 424 | 2904465GA | 81  |
| 2537814 BU | 243 | 2637990LL | 424 | 2904466DR | 81  |
| 2537814 CO | 242 | 2637992KK | 424 | 2904466GA | 81  |
| 2537814MA  | 243 | 2637993JJ | 424 | 2904467DR | 81  |
| 2537815    | 242 | 2637997M  | 432 | 2904467GA | 81  |
| 2537815MA  | 243 | 2637997P  | 432 | 2904469DR | 81  |
| 2537816    | 242 | 2637997S  | 432 | 2904469GA | 81  |
| 2537816MA  | 243 | 2637999K  | 432 | 2904470DR | 81  |
| 2537837    | 240 | 2637999M  | 432 | 2904470GA | 81  |
| 2537838    | 240 | 2644381ZI | 418 | 2904476DR | 80  |
| 2537838IN  | 240 | 2644382ZI | 419 | 2904476GA | 80  |
| 2537840    | 240 | 2644383ZI | 419 | 2904602   | 79  |
| 2537844    | 240 | 2644414   | 673 | 2904603   | 79  |
| 2537851    | 239 | 2704423   | 403 | 2904604   | 79  |
| 2537852    | 240 | 2704430   | 428 | 2904610   | 79  |
| 2537854    | 240 | 2704431   | 428 | 2904611   | 79  |
| 2537856    | 238 | 2704432DR | 428 | 2904613   | 79  |
| 2537861DR  | 246 | 2704432GA | 428 | 2904614   | 79  |
| 2537861GA  | 246 | 2704441   | 400 | 2904620   | 80  |
| 2537861RE  | 246 | 2704446   | 670 | 2904626   | 78  |
| 2537862DR  | 246 | 2704447   | 404 | 2904627   | 78  |
| 2537862GA  | 246 | 2704448   | 404 | 2904628   | 78  |
| 2537864    | 238 | 2704449   | 403 | 2904631   | 78  |
| 2537865    | 239 | 2704450   | 394 | 2904636ZN | 78  |
| 2537868    | 238 | 2704452   | 400 | 2904637ZN | 78  |
| 2537870    | 241 | 2704454   | 393 | 2904638   | 78  |
| 2537871    | 242 | 2704454BL | 393 | 2904639ZN | 78  |
| 2537873    | 239 | 2704465   | 394 | 2904640   | 78  |
| 2603709    | 429 | 2704466   | 403 | 2904641   | 78  |
| 2603710    | 429 | 2704470   | 393 | 2904650A  | 80  |
| 2603723    | 429 | 2704471   | 394 | 2904650BH | 80  |
| 2603798FF  | 425 | 2704472   | 403 | 2904650EG | 80  |
| 2603798FH  | 425 | 2704473   | 391 | 2904650F  | 80  |
| 2603798FK  | 425 | 2704474   | 399 | 2904650GH | 80  |
| 2603798HH  | 425 | 2704477   | 395 | 2904650GK | 80  |
| 2603798HK  | 425 | 2704478   | 403 | 2905009   | 29  |
| 2603798HN  | 425 | 2704479   | 404 | 2905011   | 29  |
| 2603798JD  | 425 | 2704506   | 415 | 2905012   | 29  |
| 2603798JH  | 425 | 2737989   | 426 | 2905013   | 29  |
| 2603798JJ  | 425 | 2737998   | 426 | 2905014   | 29  |
| 2603798JK  | 425 | 2737999   | 426 | 2905019   | 30  |
| 2603798KK  | 425 | 2738000   | 426 | 2905020   | 29  |
| 2603798KN  | 425 | 2738001   | 426 | 2905021   | 29  |
| 2603798MK  | 425 | 2744389   | 427 | 2905022   | 30  |
| 2603798MM  | 425 | 2744394   | 426 | 2905023   | 30  |
| 2603799KK  | 425 | 2744398   | 427 | 2905024   | 30  |
| 2603799LS  | 425 | 2744399PF | 427 | 2905025   | 30  |
| 2603799MM  | 425 | 2744400   | 430 | 2905027   | 30  |
| 2603801LD  | 425 | 2744401   | 430 | 2905030   | 30  |
| 2603801LG  | 425 | 2744402   | 430 | 2905080   | 31  |
| 2603804L   | 406 | 2744411   | 430 | 2905081   | 31  |
| 2603804M   | 406 | 2744412   | 430 | 2905082   | 31  |
| 02610347B  | 373 | 2744418   | 673 | 2905083   | 31  |



|             |    |          |     |                   |     |
|-------------|----|----------|-----|-------------------|-----|
| 2905084     | 31 | 2905675  | 76  | 2907642P          | 42  |
| 2905105     | 32 | 2905677  | 75  | 2907643           | 40  |
| 2905106     | 32 | 2905680  | 43  | 2907644           | 41  |
| 2905107     | 32 | 2905681  | 43  | 2907644L          | 41  |
| 2905120     | 32 | 2905701  | 37  | 2907646           | 41  |
| 2905121     | 32 | 2905702  | 37  | 2907646L          | 41  |
| 2905140     | 44 | 2905703  | 37  | 2907650           | 40  |
| 2905143     | 44 | 2905704  | 37  | 2907650L          | 40  |
| 2905152L    | 75 | 2905705  | 37  | 2907651           | 40  |
| 2905152M    | 75 | 2905711  | 38  | 2907652           | 40  |
| 2905152X    | 75 | 2905712  | 38  | 2907652C          | 42  |
| 2905153L    | 75 | 2905713  | 38  | 2907652L          | 40  |
| 2905153M    | 75 | 2905714  | 38  | 2907652P          | 42  |
| 2905153X    | 75 | 2905715  | 38  | 2907653           | 40  |
| 2905154L    | 75 | 2905720  | 38  | 2907654           | 41  |
| 2905154M    | 75 | 2905721  | 38  | 2907654L          | 41  |
| 2905154X    | 75 | 2905722  | 37  | 2907656           | 41  |
| 2905155L    | 75 | 2905723  | 39  | 2907656L          | 41  |
| 2905155M    | 75 | 2905730  | 36  | 2908447           | 103 |
| 2905155X    | 75 | 2905740  | 36  | 2908448           | 103 |
| 2905156L    | 75 | 2905741  | 36  | 2908449           | 104 |
| 2905156M    | 75 | 2905800  | 55  | 2909400           | 102 |
| 2905156X    | 75 | 2905802  | 55  | 2909401           | 102 |
| 2905157L    | 75 | 2905803  | 54  | 2909402           | 89  |
| 2905157M    | 75 | 2905804  | 54  | 2909403           | 89  |
| 2905157X    | 75 | 2905810  | 60  | 2909404           | 90  |
| 2905158L    | 75 | 2905811  | 59  | 2909408           | 90  |
| 2905158M    | 75 | 2905812  | 59  | 2909408 + 2944560 | 90  |
| 2905158X    | 75 | 2905820  | 61  | 2909409           | 102 |
| 2905159L    | 75 | 2905821  | 60  | 2909410           | 91  |
| 2905159M    | 75 | 2905822  | 62  | 2909411           | 91  |
| 2905159X    | 75 | 2905823  | 61  | 2909412           | 92  |
| 2905200     | 33 | 2905824  | 56  | 2909413           | 92  |
| 2905201     | 33 | 2905825  | 56  | 2909414           | 93  |
| 2905202     | 33 | 2905828  | 57  | 2909415           | 93  |
| 2905203     | 33 | 2905834  | 62  | 2909416           | 94  |
| 2905205     | 33 | 2905850  | 57  | 2909417           | 94  |
| 2905206     | 33 | 2905862  | 58  | 2909420           | 89  |
| 2905501     | 31 | 2905865  | 58  | 2909421           | 90  |
| 2905502     | 31 | 2905916  | 50  | 2909422           | 86  |
| 2905600     | 43 | 2905917  | 50  | 2909425           | 87  |
| 2905601     | 43 | 2905918  | 51  | 2909430           | 96  |
| 2905602     | 43 | 2905922  | 52  | 2909431           | 96  |
| 2905608     | 43 | 2905923  | 53  | 2909432           | 96  |
| 2905612     | 86 | 2905924  | 53  | 2909433           | 96  |
| 2905615     | 77 | 2905926  | 53  | 2909435           | 95  |
| 2905616     | 77 | 2905928  | 53  | 2909437           | 95  |
| 2905642CAPS | 76 | 2905931  | 53  | 2909450           | 95  |
| 2905642LAPS | 76 | 2905937  | 51  | 2911430           | 96  |
| 2905643CAPS | 76 | 2906100  | 47  | 2911431           | 96  |
| 2905643LAPS | 76 | 2906101  | 47  | 2911432           | 96  |
| 2905644CAPS | 76 | 2906110  | 48  | 2911433           | 96  |
| 2905644LAPS | 76 | 2906111  | 48  | 2911434           | 96  |
| 2905645CAPS | 76 | 2906120  | 49  | 2911435           | 95  |
| 2905645LAPS | 76 | 2906406  | 88  | 2911437           | 95  |
| 2905646CAPS | 76 | 2906439  | 105 | 2911447           | 103 |
| 2905646LAPS | 76 | 2906451  | 105 | 2911448           | 103 |
| 2905647CAPS | 76 | 2907640  | 40  | 2911449           | 104 |
| 2905647LAPS | 76 | 2907640L | 40  | 2912430           | 97  |
| 2905648CAPS | 76 | 2907641  | 40  | 2912430HY         | 97  |
| 2905648LAPS | 76 | 2907642  | 40  | 2912431           | 97  |
| 2905649CAPS | 76 | 2907642C | 42  | 2912431HY         | 97  |
| 2905649LAPS | 76 | 2907642L | 40  | 2912432           | 97  |

|           |     |            |     |           |     |
|-----------|-----|------------|-----|-----------|-----|
| 2912432HY | 97  | 3004102    | 520 | 3110208AN | 452 |
| 2912433   | 97  | 3004103    | 520 | 3110209AN | 453 |
| 2912433HY | 97  | 3004105    | 520 | 3110211   | 559 |
| 2912434HY | 97  | 3004106    | 520 | 3110212   | 559 |
| 2920130   | 101 | 3004108    | 519 | 3110213   | 559 |
| 2920130DM | 101 | 3004111    | 521 | 3110214   | 435 |
| 2920131   | 101 | 3004112    | 521 | 3110216   | 443 |
| 2920131DM | 101 | 3004645Y   | 519 | 3110216AN | 443 |
| 2920132   | 101 | 3037610    | 519 | 3110217   | 443 |
| 2920132DM | 101 | 3051201    | 522 | 3110217AN | 443 |
| 2920133   | 101 | 3109051    | 128 | 3110218   | 443 |
| 2920133DM | 101 | 3109051BR  | 128 | 3110218AN | 443 |
| 2920230   | 100 | 3109054    | 131 | 3110220   | 443 |
| 2920230DM | 100 | 3109056BR  | 131 | 3110221   | 443 |
| 2920231   | 100 | 3109056GA  | 131 | 3110222   | 443 |
| 2920231DM | 100 | 3109056KB  | 125 | 3110225   | 599 |
| 2920232   | 100 | 3109056KG  | 125 | 3110226   | 599 |
| 2920232DM | 100 | 3109056KSB | 127 | 3110227   | 599 |
| 2920233   | 100 | 3109056KSG | 127 | 3110230   | 599 |
| 2920233DM | 100 | 3109060GA  | 130 | 3110232   | 600 |
| 2920430   | 98  | 3109060KB  | 126 | 3110233   | 600 |
| 2920430DM | 98  | 3109060KF  | 131 | 3110234DR | 604 |
| 2920431   | 98  | 3109060KG  | 126 | 3110234GA | 604 |
| 2920431DM | 98  | 3109060KSB | 129 | 3110235   | 599 |
| 2920432   | 98  | 3109060KSG | 129 | 3110238DR | 604 |
| 2920432DM | 98  | 3110010    | 612 | 3110238GA | 604 |
| 2920433   | 98  | 3110011    | 612 | 3110239   | 604 |
| 2920433DM | 98  | 3110021BA  | 613 | 3110240   | 604 |
| 2920530   | 99  | 3110025    | 596 | 3110245   | 608 |
| 2920530DM | 99  | 3110027    | 596 | 3110246   | 600 |
| 2920531   | 99  | 3110029    | 596 | 3110247   | 609 |
| 2920531DM | 99  | 3110030    | 596 | 3110249   | 609 |
| 2920532   | 99  | 3110030    | 596 | 3110250   | 588 |
| 2920532DM | 99  | 3110060    | 594 | 3110254   | 608 |
| 2920533   | 99  | 3110065    | 588 | 3110256   | 609 |
| 2920533DM | 99  | 3110132    | 598 | 3110259   | 588 |
| 2944137   | 77  | 3110169    | 116 | 3110262   | 605 |
| 2944192   | 78  | 3110169    | 125 | 3110262CL | 605 |
| 2944197   | 78  | 3110169    | 126 | 3110263   | 600 |
| 2944201   | 77  | 3110170    | 116 | 3110267   | 608 |
| 2944259   | 105 | 3110170    | 125 | 3110270   | 608 |
| 2944261   | 105 | 3110170    | 126 | 3110272   | 608 |
| 2944521   | 77  | 3110170    | 126 | 3110273   | 590 |
| 2944522   | 77  | 3110171    | 116 | 3110273   | 610 |
| 2944538   | 105 | 3110171    | 125 | 3110274   | 618 |
| 2944549   | 34  | 3110171    | 126 | 3110275DR | 603 |
| 2944552   | 45  | 3110171    | 126 | 3110275GA | 603 |
| 2944552   | 45  | 3110172    | 119 | 3110285   | 469 |
| 2944557   | 105 | 3110172KD  | 118 | 3110286   | 607 |
| 2944703   | 46  | 3110172KS  | 118 | 3110286AX | 607 |
| 2944704   | 46  | 3110175GA  | 122 | 3110286SU | 607 |
| 2944731   | 35  | 3110177    | 117 | 3110288SU | 607 |
| 2944731   | 35  | 3110177    | 126 | 3110302   | 461 |
| 2944737   | 34  | 3110177K   | 117 | 3110302   | 461 |
| 2944737   | 34  | 3110178    | 122 | 3110302   | 461 |
| 2944810   | 82  | 3110180GA  | 123 | 3110302   | 461 |
| 2944811   | 82  | 3110200    | 454 | 3110302   | 461 |
| 2944812   | 82  | 3110201    | 451 | 3110302   | 461 |
| 2944814   | 82  | 3110202    | 454 | 3110302   | 464 |
| 3004075   | 522 | 3110203    | 451 | 3110302AN | 464 |
| 3004097   | 521 | 3110205    | 453 | 3110306   | 461 |
| 3004099   | 521 | 3110206AN  | 452 | 3110306   | 461 |
| 3004101   | 519 | 3110207    | 451 | 3110306   | 461 |

|           |     |           |     |           |     |
|-----------|-----|-----------|-----|-----------|-----|
| 3110306   | 461 | 3110374   | 590 | 3110552GA | 472 |
| 3110306   | 461 | 3110384EM | 515 | 3110552PD | 473 |
| 3110306   | 461 | 3110385   | 589 | 3110552PG | 473 |
| 3110306   | 461 | 3110388 S | 590 | 3110562DR | 469 |
| 3110306   | 462 | 3110389   | 588 | 3110562GA | 469 |
| 3110306AN | 462 | 3110393   | 594 | 3110563DR | 469 |
| 3110307   | 465 | 3110395   | 121 | 3110563GA | 469 |
| 3110307AN | 465 | 3110396   | 121 | 3110564DR | 469 |
| 3110308   | 465 | 3110397   | 589 | 3110564GA | 469 |
| 3110308AN | 465 | 3110399   | 119 | 3110565DR | 469 |
| 3110309   | 461 | 3110399KD | 118 | 3110565GA | 469 |
| 3110309   | 461 | 3110399KS | 118 | 3110566DR | 469 |
| 3110309   | 461 | 3110400   | 116 | 3110566GA | 469 |
| 3110309   | 461 | 3110400   | 125 | 3110571DR | 471 |
| 3110309   | 461 | 3110400   | 126 | 3110571GA | 471 |
| 3110309   | 461 | 3110400   | 126 | 3110572DR | 471 |
| 3110309   | 461 | 3110400AN | 116 | 3110572GA | 471 |
| 3110309   | 462 | 3110400AN | 125 | 3110573DR | 471 |
| 3110309AN | 462 | 3110400AN | 126 | 3110573GA | 471 |
| 3110310   | 461 | 3110400AN | 126 | 3110574DR | 471 |
| 3110310   | 461 | 3110401AN | 116 | 3110574GA | 471 |
| 3110310   | 461 | 3110401AN | 125 | 3110707AX | 229 |
| 3110310   | 463 | 3110401AN | 126 | 3110707AX | 233 |
| 3110310AN | 463 | 3110401AN | 126 | 3110731   | 229 |
| 3110311   | 461 | 3110402AN | 116 | 3110731   | 233 |
| 3110311   | 461 | 3110402AN | 125 | 3110732   | 229 |
| 3110311   | 461 | 3110402AN | 126 | 3110732   | 233 |
| 3110311   | 461 | 3110402AN | 126 | 3110733JO | 349 |
| 3110311   | 461 | 3110403   | 117 | 3110733PL | 350 |
| 3110311   | 461 | 3110404   | 121 | 3110854   | 606 |
| 3110311   | 461 | 3110404KS | 130 | 3110860   | 606 |
| 3110311   | 464 | 3110405   | 121 | 3110861   | 606 |
| 3110311AN | 464 | 3110406   | 121 | 3110862   | 606 |
| 3110312   | 465 | 3110448AN | 116 | 3110863   | 606 |
| 3110312AN | 465 | 3110448AN | 125 | 3110864   | 611 |
| 3110313   | 461 | 3110448AN | 126 | 3110865   | 611 |
| 3110313   | 461 | 3110470   | 122 | 3110866   | 611 |
| 3110313   | 461 | 3110474   | 120 | 3110875   | 602 |
| 3110313   | 463 | 3110475   | 120 | 3110876   | 602 |
| 3110313AN | 463 | 3110476   | 120 | 3110877   | 602 |
| 3110314   | 468 | 3110476K  | 119 | 3110878   | 602 |
| 3110315   | 466 | 3110476KD | 119 | 3110879BA | 608 |
| 3110315AN | 466 | 3110500   | 460 | 3110879GO | 611 |
| 3110316AN | 466 | 3110500AN | 460 | 3110893   | 603 |
| 3110318AN | 465 | 3110501   | 459 | 3110894   | 603 |
| 3110319AN | 467 | 3110501AN | 459 | 3110895   | 601 |
| 3110320AN | 468 | 3110501CR | 460 | 3110896   | 601 |
| 3110321AN | 467 | 3110502   | 459 | 3110897   | 601 |
| 3110338   | 468 | 3110502AN | 459 | 3110898   | 601 |
| 3110340   | 442 | 3110510   | 455 | 3110925   | 611 |
| 3110340A  | 442 | 3110540GB | 473 | 3110927   | 610 |
| 3110341   | 442 | 3110540GZ | 473 | 3110927CS | 610 |
| 3110341A  | 442 | 3110541DR | 470 | 3110928   | 610 |
| 3110342   | 442 | 3110541GA | 470 | 3110928CS | 610 |
| 3110343   | 442 | 3110542DR | 470 | 3110932   | 609 |
| 3110343A  | 442 | 3110542GA | 470 | 3110937   | 609 |
| 3110344   | 442 | 3110544DR | 470 | 3110950   | 228 |
| 3110344A  | 442 | 3110544GA | 470 | 3110950   | 230 |
| 3110345   | 442 | 3110550DR | 472 | 3110950   | 234 |
| 3110345A  | 442 | 3110550GA | 472 | 3110950AN | 228 |
| 3110348   | 442 | 3110550PD | 473 | 3110950AN | 230 |
| 3110367   | 588 | 3110550PG | 473 | 3110950AN | 234 |
| 3110367AX | 588 | 3110552DR | 472 | 3110951   | 228 |

|            |     |           |     |            |     |
|------------|-----|-----------|-----|------------|-----|
| 3110951    | 230 | 3110973AN | 233 | 3343669    | 482 |
| 3110951AN  | 228 | 3110973SA | 229 | 3343671 S  | 484 |
| 3110951AN  | 230 | 3110973SA | 233 | 3343672DR  | 485 |
| 3110952    | 228 | 3110973SC | 229 | 3343672GA  | 485 |
| 3110952    | 230 | 3110973SC | 233 | 3343672SD  | 485 |
| 3110952AN  | 228 | 3110976   | 235 | 3343672SG  | 485 |
| 3110952AN  | 230 | 3110976AN | 235 | 3343676DR  | 487 |
| 3110954    | 234 | 3110976EQ | 235 | 3343676GA  | 487 |
| 3110954AN  | 234 | 3110977AN | 232 | 3343677DR  | 486 |
| 3110955    | 234 | 3110977BR | 232 | 3343677GA  | 486 |
| 3110955AN  | 234 | 3110962CA | 233 | 3343680    | 483 |
| 3110957    | 234 | 3110978AN | 229 | 3343681SC  | 483 |
| 3110957AN  | 234 | 3110978AN | 233 | 3343682    | 478 |
| 3110958    | 234 | 3110978CA | 228 | 3343682CR  | 481 |
| 3110958AN  | 234 | 3110967CA | 229 | 3343683    | 479 |
| 3110960AN  | 232 | 3110978CH | 228 | 3343690    | 484 |
| 3110960BR  | 232 | 3110978SA | 229 | 3343690CR  | 484 |
| 3110961AN  | 232 | 3110978SA | 233 | 3343720DR  | 475 |
| 3110961BR  | 232 | 3110978SC | 229 | 3343720GA  | 475 |
| 3110962AN  | 232 | 3110978SC | 233 | 3343796DR  | 475 |
| 3110962AX  | 229 | 3110979AN | 228 | 3343796GA  | 475 |
| 3110962AX  | 233 | 3110979BR | 228 | 3368227GA  | 489 |
| 3110962BR  | 232 | 3115024DR | 595 | 3368231    | 488 |
| 3110964    | 228 | 3115024GA | 595 | 3368250DE  | 488 |
| 3110964    | 230 | 3115025DR | 595 | 3404408    | 673 |
| 3110964    | 234 | 3115025GA | 595 | 3444000    | 670 |
| 3110965AN  | 228 | 3115030   | 595 | 3444005    | 670 |
| 3110965BR  | 228 | 3115031   | 595 | 3444010    | 670 |
| 3110965CA  | 228 | 3204379DR | 475 | 3444020    | 670 |
| 3110965CH  | 228 | 3204379GA | 475 | 3444031    | 671 |
| 3110966AN  | 228 | 3243660 S | 479 | 3444036    | 497 |
| 3110966BR  | 228 | 3243664   | 480 | 3444036PE  | 497 |
| 3110966CA  | 228 | 3243665   | 480 | 3444036SU  | 497 |
| 3110966CH  | 228 | 3243666DR | 486 | 3444037    | 669 |
| 3110967AN  | 228 | 3243666GA | 486 | 3444039    | 670 |
| 3110967BR  | 228 | 3243680   | 476 | 3444041    | 497 |
| 3110967CA  | 228 | 3243680FS | 476 | 3444060 DR | 672 |
| 3110967CH  | 228 | 3243680T  | 476 | 3444060 GA | 672 |
| 3110969    | 228 | 3243681   | 476 | 3444061    | 673 |
| 3110969    | 230 | 3243681T  | 476 | 3444065    | 673 |
| 3110969    | 234 | 3243685   | 476 | 3444068    | 671 |
| 3110969AN  | 228 | 3243687   | 476 | 3444071    | 673 |
| 3110969AN  | 230 | 3243688   | 476 | 3444072    | 672 |
| 3110969AN  | 234 | 3243689   | 476 | 3444104SJ  | 672 |
| 3110970    | 228 | 3243794DR | 475 | 3444105SJ  | 672 |
| 3110970    | 230 | 3243794GA | 475 | 3444114    | 669 |
| 3110970    | 234 | 3243801   | 476 | 3444115    | 669 |
| 3110970 AN | 230 | 3343623   | 491 | 3444116    | 670 |
| 3110970 AN | 234 | 3343631   | 490 | 3444117    | 671 |
| 3110970AN  | 228 | 3343633   | 489 | 3444134    | 671 |
| 3110971AN  | 229 | 3343634   | 489 | 3444135    | 674 |
| 3110971AN  | 233 | 3343635   | 490 | 3444400    | 669 |
| 3110971SA  | 229 | 3343636DR | 487 | 3543500    | 517 |
| 3110971SA  | 233 | 3343636GA | 487 | 3543563    | 676 |
| 3110971SC  | 229 | 3343637   | 491 | 3543569    | 678 |
| 3110971SC  | 233 | 3343657   | 477 | 3543570    | 678 |
| 3110972AN  | 229 | 3343657CR | 481 | 3543571    | 678 |
| 3110972AN  | 233 | 3343658   | 477 | 3543578    | 497 |
| 3110972SA  | 229 | 3343659   | 478 | 3543588    | 674 |
| 3110972SA  | 233 | 3343663   | 481 | 3543589    | 677 |
| 3110972SC  | 229 | 3343663FS | 481 | 3543590    | 676 |
| 3110972SC  | 233 | 3343663GA | 481 | 3543591    | 676 |
| 3110973AN  | 229 | 3343665   | 482 | 3543594    | 674 |



|            |     |           |     |           |     |
|------------|-----|-----------|-----|-----------|-----|
| 3543595    | 674 | 3544016   | 617 | 3644236 S | 688 |
| 3543596    | 674 | 3544025   | 618 | 3644240   | 694 |
| 3543598    | 680 | 3544030   | 614 | 3644241S  | 696 |
| 3543599    | 681 | 3544030GA | 613 | 3644242S  | 696 |
| 3543600    | 681 | 3544031   | 613 | 3644243DS | 695 |
| 3543607S   | 675 | 3544034   | 614 | 3644243GS | 695 |
| 3543608    | 680 | 3544036   | 612 | 3644243VS | 696 |
| 3543609    | 678 | 3544050GA | 616 | 3644244S  | 696 |
| 3543610    | 678 | 3544051   | 616 | 3644245S  | 695 |
| 3543612    | 679 | 3544070   | 618 | 3644246S  | 694 |
| 3543612BU  | 679 | 3544073   | 617 | 3644247S  | 692 |
| 3543612MA  | 679 | 3544100GA | 615 | 3644248S  | 692 |
| 3543615DR  | 675 | 3544101   | 615 | 3644249 S | 687 |
| 3543615GA  | 675 | 3544102VS | 615 | 3644249 S | 687 |
| 3543615RD  | 675 | 3544104   | 615 | 3644252S  | 689 |
| 3543615RG  | 675 | 3643740   | 527 | 3644253 S | 694 |
| 3543616    | 496 | 3643788   | 512 | 3644254   | 691 |
| 3543616AR  | 496 | 3643788AB | 512 | 3644255   | 691 |
| 3543616SU  | 496 | 3643788AG | 512 | 3644258   | 689 |
| 3543617    | 494 | 3643788SU | 512 | 3644259   | 690 |
| 3543617GN  | 494 | 3643789VI | 512 | 3644260   | 690 |
| 3543617GO  | 494 | 3643794AB | 510 | 3644265   | 197 |
| 3543617NP  | 494 | 3643794AG | 510 | 3644266S  | 514 |
| 3543617SU  | 494 | 3643794SO | 510 | 3644268   | 514 |
| 3543618    | 496 | 3643798   | 510 | 3644269   | 514 |
| 3543620    | 494 | 3643798AG | 510 | 3644275   | 195 |
| 3543621 S  | 495 | 3643799   | 509 | 3644276   | 193 |
| 3543625    | 495 | 3643813   | 110 | 3644280K  | 624 |
| 3543626    | 495 | 3643814   | 109 | 3644280M  | 624 |
| 3543630    | 675 | 3643818   | 109 | 3644283   | 505 |
| 3543637    | 495 | 3643819   | 109 | 3644287   | 193 |
| 3543638    | 496 | 3643828   | 509 | 3644288   | 195 |
| 3543640    | 492 | 3643829   | 509 | 3644289   | 196 |
| 3543640 GO | 492 | 3643830   | 111 | 3644291   | 196 |
| 3543640 RA | 492 | 3643833   | 109 | 3644292   | 198 |
| 3543641    | 492 | 3643835   | 109 | 3644294   | 198 |
| 3543641 GO | 492 | 3643837   | 509 | 3644295   | 194 |
| 3543641 RA | 492 | 3643838   | 508 | 3644296   | 194 |
| 3543642    | 493 | 3643841   | 112 | 3644297   | 197 |
| 3543642 GO | 493 | 3643842   | 112 | 3644300S  | 691 |
| 3543642 RA | 493 | 3643843   | 112 | 3644302AN | 692 |
| 3543644    | 493 | 3643846   | 110 | 3644302S  | 691 |
| 3543644 GO | 493 | 3643848   | 110 | 3644303   | 692 |
| 3543644 RA | 493 | 3643902   | 513 | 3644305   | 695 |
| 3543646    | 677 | 3643903   | 513 | 3644306   | 692 |
| 3543647    | 619 | 3643904   | 513 | 3644320   | 198 |
| 3543647GU  | 619 | 3643905   | 513 | 3644327   | 198 |
| 3543647SU  | 619 | 3643906   | 512 | 3644327DO | 199 |
| 3543648    | 496 | 3643907   | 510 | 3644332   | 198 |
| 3543649    | 619 | 3643908   | 511 | 3644332DO | 199 |
| 3543652    | 619 | 3643908AB | 511 | 3644333   | 198 |
| 3543653    | 677 | 3643908AG | 511 | 3644333DO | 199 |
| 3543654    | 619 | 3643908SO | 511 | 3644370C  | 198 |
| 3543656BA  | 494 | 3643909   | 511 | 3644402   | 697 |
| 3543656GA  | 494 | 3643909VI | 511 | 3655030   | 621 |
| 3543656HG  | 494 | 3643910   | 513 | 3655031   | 621 |
| 3543656SA  | 494 | 3644224BL | 693 | 3655032   | 621 |
| 3543657BA  | 460 | 3644224BR | 693 | 3655033   | 621 |
| 3543663    | 677 | 3644224TL | 693 | 3655038   | 621 |
| 3543664    | 677 | 3644224TR | 693 | 3655039   | 620 |
| 3544005    | 616 | 3644230S  | 694 | 3655050   | 620 |
| 3544006    | 616 | 3644231VE | 696 | 3655051   | 620 |
| 3544009EP  | 617 | 3644234   | 693 | 3655052   | 620 |

|           |     |           |     |           |     |
|-----------|-----|-----------|-----|-----------|-----|
| 3655054   | 620 | 3744610   | 637 | 3943ES2A  | 221 |
| 3655066   | 506 | 3744650   | 222 | 3943ES3A  | 221 |
| 3655068   | 506 | 3744656   | 222 | 3943ES4A  | 221 |
| 3655070   | 508 | 3805105   | 540 | 3950101   | 515 |
| 3655072   | 506 | 3805106   | 540 | 3950108   | 515 |
| 3655086   | 503 | 3805107   | 541 | 3950114   | 515 |
| 3655086IN | 503 | 3805108   | 541 | 3950116   | 515 |
| 3655088   | 507 | 3805109   | 540 | 3950125   | 515 |
| 3655089   | 503 | 3805110   | 542 | 3950130   | 516 |
| 3655089   | 507 | 3805111   | 542 | 3950249GA | 205 |
| 3655090   | 503 | 3805112   | 541 | 3950250BU | 207 |
| 3655090IN | 503 | 3805113   | 541 | 3950250GA | 205 |
| 3655096   | 506 | 3805130   | 154 | 3950251GA | 205 |
| 3655097   | 505 | 3805132   | 154 | 3950252GA | 206 |
| 3655098   | 505 | 3805133   | 154 | 3950253GA | 206 |
| 3655099   | 504 | 3805138   | 548 | 3950254BU | 207 |
| 3655101   | 504 | 3805141   | 544 | 3950255BU | 207 |
| 3655105   | 505 | 3805142   | 544 | 3950255GA | 205 |
| 3655107   | 502 | 3805143   | 544 | 3950256GA | 205 |
| 3655108   | 502 | 3805144   | 548 | 3950257   | 207 |
| 3655111   | 502 | 3805150A  | 545 | 3950258GA | 206 |
| 3655112   | 502 | 3805150P  | 545 | 3950259GA | 206 |
| 3655115   | 501 | 3805151A  | 545 | 3950269   | 213 |
| 3655116   | 502 | 3805152A  | 545 | 3950270 S | 208 |
| 3655120   | 502 | 3805153A  | 546 | 3950289   | 212 |
| 3655121   | 502 | 3805154A  | 546 | 3950292   | 211 |
| 3655125   | 503 | 3805155A  | 546 | 3950293   | 211 |
| 3655130EM | 504 | 3805156A  | 546 | 3950294   | 208 |
| 3655130RO | 501 | 3805157   | 548 | 3950295   | 211 |
| 3655140   | 501 | 3805157A  | 546 | 3950296   | 515 |
| 3655141   | 501 | 3805158   | 547 | 3950297   | 515 |
| 3744470   | 560 | 3805159   | 547 | 3950298   | 515 |
| 3744470SB | 560 | 3805160A  | 545 | 3950299   | 515 |
| 3744472   | 560 | 3805160P  | 547 | 3950300   | 515 |
| 3744472SB | 560 | 3805161A  | 547 | 3950301   | 208 |
| 3744474   | 560 | 3805185   | 548 | 3950302   | 208 |
| 3744474SB | 560 | 3805188   | 547 | 3950303   | 208 |
| 3744481   | 562 | 3805189   | 548 | 3950304   | 186 |
| 3744483   | 563 | 3805191   | 544 | 3950305   | 186 |
| 3744490   | 560 | 3805357   | 523 | 3950306   | 208 |
| 3744491   | 560 | 3805370   | 542 | 3950307   | 208 |
| 3744492   | 561 | 3805371   | 542 | 3950308   | 208 |
| 3744493   | 561 | 3805374   | 542 | 3950309   | 208 |
| 3744494   | 562 | 3805375   | 543 | 3950310   | 186 |
| 3744495   | 563 | 3805376   | 543 | 3950311   | 186 |
| 3744496   | 562 | 3805389   | 543 | 3950312   | 186 |
| 3744501BR | 636 | 3805390   | 543 | 3950313   | 212 |
| 3744507   | 636 | 3805391   | 542 | 3950313BS | 212 |
| 3744508   | 636 | 3809053DR | 523 | 3950313RS | 212 |
| 3744509   | 636 | 3809053GA | 523 | 3950317   | 208 |
| 3744515   | 632 | 3851370J  | 544 | 3950318   | 186 |
| 3744516   | 632 | 3851370L  | 544 | 3950330ET | 187 |
| 3744590   | 564 | 3851370M  | 544 | 3950331   | 186 |
| 3744591BR | 564 | 3851370N  | 544 | 3950332   | 188 |
| 3744591CR | 564 | 3851952   | 534 | 3950345   | 186 |
| 3744591CR | 622 | 3943948   | 219 | 3950346   | 186 |
| 3744591EM | 565 | 3943951GA | 219 | 3950347   | 186 |
| 3744592SU | 564 | 3943952   | 220 | 3950349   | 186 |
| 3744597AN | 562 | 3943955   | 218 | 3950350   | 186 |
| 3744604GM | 561 | 3943956   | 218 | 3950355   | 186 |
| 3744604MM | 561 | 3943957   | 217 | 3950361   | 188 |
| 3744605GM | 561 | 3943958   | 217 | 3950362   | 188 |
| 3744605MM | 561 | 3943ES1A  | 221 | 3950363   | 188 |

|            |     |           |     |           |     |
|------------|-----|-----------|-----|-----------|-----|
| 3950364    | 188 | 3950624   | 155 | 4051912R  | 536 |
| 3950367SU  | 189 | 3950624DS | 156 | 4051913   | 536 |
| 3950368SU  | 189 | 3950624RO | 156 | 4051916   | 536 |
| 3950375    | 188 | 3950624SU | 155 | 4051918   | 536 |
| 3950375JU  | 189 | 3950628   | 140 | 4051925   | 536 |
| 3950376JU  | 189 | 3950628SF | 140 | 4051932   | 535 |
| 3950377    | 189 | 3950629   | 140 | 4051932CA | 535 |
| 3950385    | 167 | 3950629SF | 140 | 4051933   | 538 |
| 3950388    | 171 | 3950634   | 141 | 4051934   | 535 |
| 3950389    | 171 | 3950634PO | 153 | 4051961   | 534 |
| 3950390    | 171 | 3950634SF | 141 | 4051961GL | 534 |
| 3950391    | 171 | 3950634SH | 151 | 4051964   | 534 |
| 3950392    | 171 | 3950634SU | 151 | 4051967   | 534 |
| 3950393    | 171 | 3950635   | 141 | 4052226   | 537 |
| 3950426E   | 169 | 3950635SF | 141 | 4052240OP | 531 |
| 3950427E   | 169 | 3950636   | 141 | 4052250OB | 532 |
| 3950443    | 168 | 3950636SF | 141 | 4052270   | 538 |
| 3950446    | 168 | 3950637ET | 143 | 4052273   | 537 |
| 3950450    | 172 | 3950660   | 175 | 4052280   | 533 |
| 3950452    | 172 | 3950662   | 175 | 4052300   | 531 |
| 3950500    | 183 | 3950665   | 175 | 4052301   | 538 |
| 3950500BR  | 183 | 3950668   | 175 | 4052310   | 531 |
| 3950501    | 184 | 3950670   | 176 | 4052320   | 533 |
| 3950501TG  | 175 | 3950680   | 142 | 4052321   | 538 |
| 3950502    | 184 | 3950680SF | 142 | 4052330   | 532 |
| 3950503    | 184 | 3950680SU | 151 | 4052335   | 533 |
| 3950505 S  | 181 | 3950681   | 142 | 4052350   | 531 |
| 3950506    | 182 | 3950681SF | 142 | 4052360   | 531 |
| 3950506CO  | 182 | 3950681SH | 152 | 4052370   | 532 |
| 3950506ET  | 182 | 3950682   | 143 | 4052380   | 532 |
| 3950507    | 178 | 3950682SF | 143 | 4052400   | 533 |
| 3950507IN  | 178 | 3950682SH | 152 | 4104658   | 557 |
| 3950508    | 182 | 3950682SU | 152 | 4104659   | 557 |
| 3950511    | 175 | 3950801   | 203 | 4104660   | 557 |
| 3950512    | 182 | 3950802   | 203 | 4104660GR | 557 |
| 3950514 S  | 181 | 3950806   | 203 | 4104661   | 558 |
| 3950595    | 143 | 3950811   | 203 | 4104668   | 556 |
| 3950595KC  | 149 | 3950812   | 203 | 4104668CO | 556 |
| 3950595KS  | 146 | 3950816   | 204 | 4104672IN | 556 |
| 3950595KSE | 147 | 3950821   | 204 | 4104678   | 557 |
| 3950596    | 145 | 3950850   | 137 | 4104683   | 555 |
| 3950596KC  | 150 | 3950863ET | 136 | 4104684   | 555 |
| 3950596KSE | 148 | 3950864   | 135 | 4104685   | 555 |
| 3950600SE  | 518 | 3950864PO | 153 | 4104686   | 555 |
| 3950601KC  | 149 | 3950865   | 135 | 4104688   | 554 |
| 3950603EI  | 144 | 3950866   | 135 | 4104691   | 554 |
| 3950603KS  | 147 | 3950872   | 136 | 4104691BL | 554 |
| 3950603KSE | 148 | 3950872PO | 153 | 4104692   | 554 |
| 3950604    | 146 | 3950873   | 136 | 4104695   | 554 |
| 3950604KC  | 150 | 3950874   | 136 | 4104710   | 555 |
| 3950606EI  | 144 | 3950875   | 136 | 4104711   | 555 |
| 3950606KC  | 149 | 3950876   | 136 | 4104712   | 555 |
| 3950607    | 145 | 3950877   | 136 | 4104713   | 555 |
| 3950607KC  | 149 | 3951284GA | 191 | 4137275FD | 556 |
| 3950607SU  | 145 | 3951286GA | 191 | 4137275FF | 556 |
| 3950615    | 518 | 3951288GA | 191 | 4137275HF | 556 |
| 3950616    | 518 | 3951289GA | 192 | 4137275JG | 556 |
| 3950617    | 518 | 3951298   | 191 | 4137275TY | 556 |
| 3950618    | 518 | 3951300   | 191 | 4137275VV | 556 |
| 3950620    | 138 | 3951305   | 192 | 4137320   | 556 |
| 3950621    | 138 | 3951306   | 192 | 4137331   | 556 |
| 3950621CO  | 139 | 3951307GA | 192 | 4144312BO | 317 |
| 3950621PF  | 139 | 3951308GA | 192 | 4144312BU | 316 |

|           |     |           |     |            |     |
|-----------|-----|-----------|-----|------------|-----|
| 4144313   | 317 | 4471945   | 553 | 5039219    | 177 |
| 4144315   | 316 | 4471950   | 553 | 5039221    | 177 |
| 4144315PO | 316 | 4471960   | 552 | 5039300SET | 182 |
| 4144316   | 316 | 4503494   | 552 | 5039301SET | 182 |
| 4144317   | 317 | 4503498   | 552 | 5052700    | 539 |
| 4144317AV | 318 | 5000440   | 622 | 5052710    | 539 |
| 4144317VE | 318 | 5000448   | 621 | 5068405    | 187 |
| 4146710   | 556 | 5000448IN | 621 | 5068455    | 187 |
| 4147412   | 558 | 5000449   | 622 | 5068480    | 187 |
| 4147413   | 558 | 5000450   | 621 | 5068550    | 187 |
| 4147414   | 558 | 5000451BR | 621 | 5068595    | 187 |
| 4147415   | 558 | 5000451ZI | 621 | 5068650    | 187 |
| 4147416   | 558 | 5000453   | 622 | 5068720    | 187 |
| 4272110D  | 626 | 5000454 S | 622 | 5102522    | 516 |
| 4272112   | 565 | 5000457   | 627 | 5103318    | 209 |
| 4272112   | 626 | 5000458   | 627 | 5103337 SC | 209 |
| 4272113   | 628 | 5000514   | 626 | 5103340    | 539 |
| 4272114   | 628 | 5000541S  | 625 | 5103345    | 209 |
| 4272117ED | 628 | 5000824   | 625 | 5103346    | 209 |
| 4272117JD | 628 | 5000825S  | 625 | 5103347    | 209 |
| 4272118   | 628 | 5000831S  | 624 | 5103348    | 209 |
| 4272119   | 623 | 5000842S  | 624 | 5103349    | 210 |
| 4272120   | 623 | 5000850   | 625 | 5103350    | 539 |
| 4272122   | 624 | 5000851S  | 625 | 5103351    | 539 |
| 4272124   | 624 | 5000885S  | 625 | 5103353    | 539 |
| 4272125   | 623 | 5000887S  | 625 | 5103355    | 210 |
| 4272126   | 623 | 5010266   | 171 | 5110070    | 163 |
| 4272127   | 623 | 5023950   | 168 | 5110165    | 162 |
| 4272130BL | 627 | 5024188   | 168 | 5110185    | 162 |
| 4272130NB | 627 | 5025135   | 168 | 5110190    | 162 |
| 4272130NO | 627 | 5025137   | 168 | 5110217    | 162 |
| 4272130NV | 627 | 5026230   | 170 | 5110225    | 164 |
| 4272130RO | 627 | 5026270   | 170 | 5110269    | 163 |
| 4272131B  | 627 | 5026370   | 170 | 5110300    | 162 |
| 4272131K  | 627 | 5026375   | 170 | 5110303    | 162 |
| 4272131M  | 627 | 5026390   | 170 | 5110325    | 164 |
| 4272153   | 628 | 5026395   | 170 | 5112070    | 163 |
| 4272162   | 626 | 5026560   | 168 | 5112190    | 162 |
| 4272165   | 623 | 5026565   | 168 | 5112217    | 162 |
| 4300850   | 256 | 5027130   | 163 | 5120071    | 163 |
| 4471817   | 551 | 5030510   | 176 | 5120095    | 164 |
| 4471818   | 551 | 5030540   | 176 | 5120165    | 162 |
| 4471819   | 551 | 5030550   | 176 | 5120185    | 162 |
| 4471820   | 551 | 5030700   | 176 | 5120190    | 162 |
| 4471821   | 551 | 5030710   | 176 | 5120217    | 162 |
| 4471822   | 551 | 5030750   | 176 | 5120940    | 162 |
| 4471823   | 551 | 5038665   | 166 | 5120941    | 162 |
| 4471825   | 551 | 5038665   | 166 | 5121050    | 162 |
| 4471826   | 551 | 5038665   | 167 | 5121171    | 163 |
| 4471827   | 551 | 5038666   | 166 | 5121180    | 162 |
| 4471828   | 551 | 5038666   | 166 | 5121543    | 164 |
| 4471829   | 551 | 5038666   | 167 | 5121548    | 164 |
| 4471840   | 551 | 5039101ZN | 178 | 5121555    | 164 |
| 4471849   | 551 | 5039107   | 179 | 5121567    | 164 |
| 4471850   | 551 | 5039108ZN | 178 | 5122157    | 162 |
| 4471851   | 551 | 5039111ZN | 178 | 5122170    | 162 |
| 4471852   | 551 | 5039112   | 179 | 5122300    | 162 |
| 4471853   | 551 | 5039114   | 171 | 5123000    | 163 |
| 4471854   | 551 | 5039115   | 171 | 5123171    | 162 |
| 4471905   | 553 | 5039118ZN | 178 | 5123175    | 162 |
| 4471906   | 553 | 5039214   | 177 | 5123190    | 162 |
| 4471907   | 553 | 5039216   | 177 | 5124000    | 163 |
| 4471930   | 552 | 5039218   | 177 | 5124018    | 162 |



|         |     |           |     |           |     |
|---------|-----|-----------|-----|-----------|-----|
| 5124160 | 162 | 5166822   | 173 | 020911565 | 334 |
| 5124214 | 162 | 5166823   | 173 | 020911566 | 338 |
| 5124818 | 162 | 5166824   | 173 | 020911567 | 339 |
| 5124830 | 164 | 5167211   | 174 | 020911568 | 338 |
| 5124870 | 162 | 5167223   | 173 | 020911635 | 335 |
| 5125000 | 162 | 5300443   | 165 | 020911636 | 336 |
| 5125007 | 163 | 5300448   | 165 | 020911637 | 339 |
| 5125020 | 162 | 5300468   | 165 | 020911638 | 340 |
| 5125022 | 162 | 5302504   | 169 | 020911647 | 340 |
| 5125130 | 162 | 5304411   | 165 | 020911652 | 337 |
| 5125140 | 162 | 5304411   | 166 | 020911654 | 336 |
| 5125190 | 162 | 5304417   | 165 | 020911655 | 337 |
| 5125210 | 162 | 5304417   | 166 | 021603109 | 382 |
| 5126069 | 163 | 5304417   | 166 | 021603121 | 333 |
| 5126190 | 162 | 5304417   | 166 | 021603124 | 333 |
| 5126217 | 162 | 5304604   | 169 | 021603125 | 333 |
| 5126503 | 162 | 5304606   | 169 | 021603310 | 384 |
| 5126504 | 162 | 5306006   | 169 | 021603791 | 383 |
| 5126507 | 162 | 5306506   | 169 | 021610128 | 383 |
| 5126530 | 164 | 5306611   | 165 | 021610204 | 381 |
| 5132690 | 209 | 5306611   | 166 | 021610205 | 381 |
| 5132691 | 210 | 5306617   | 165 | 021610335 | 379 |
| 5133406 | 539 | 5306617   | 166 | 021610343 | 384 |
| 5133407 | 539 | 5306617   | 166 | 021610463 | 383 |
| 5133409 | 539 | 5306617   | 166 | 021610725 | 383 |
| 5133533 | 539 | 5311540   | 190 | 021610820 | 380 |
| 5133535 | 539 | 5315010   | 190 | 021610821 | 380 |
| 5133537 | 539 | 5316010   | 190 | 021610822 | 380 |
| 5133541 | 539 | 5316510   | 190 | 021610823 | 380 |
| 5160095 | 174 | 5403007GR | 405 | 021610982 | 383 |
| 5160225 | 174 | 5403007GV | 405 | 021611039 | 348 |
| 5160325 | 174 | 5403007GW | 405 | 021611040 | 348 |
| 5164023 | 173 | 5501108FH | 117 | 021611048 | 348 |
| 5164024 | 173 | 5501108FH | 213 | 021611054 | 349 |
| 5164026 | 173 | 5871261HA | 235 | 021611063 | 349 |
| 5164323 | 173 | 5871261SA | 125 | 022111274 | 360 |
| 5164325 | 173 | 5871261SA | 126 | 022510015 | 326 |
| 5164523 | 173 | 5871261VA | 616 | 022511053 | 327 |
| 5164524 | 173 | 5942680   | 187 | 022911273 | 359 |
| 5164821 | 173 | 5949999   | 190 | 023111276 | 351 |
| 5164830 | 174 | 6051000JU | 110 | 023111277 | 352 |
| 5165009 | 174 | 10050613A | 407 | 025703460 | 377 |
| 5165019 | 173 | 10050613B | 409 | 025703470 | 377 |
| 5165020 | 173 | 10090614A | 410 | 025703480 | 378 |
| 5165025 | 173 | 10090614B | 411 | 025703490 | 378 |
| 5165509 | 174 | 10150619A | 414 | 025703503 | 368 |
| 5165518 | 173 | 10150619B | 416 | 025703540 | 368 |
| 5165519 | 173 | 10180620A | 420 | 025703551 | 379 |
| 5165520 | 173 | 10180620B | 421 | 025703570 | 377 |
| 5165823 | 173 | 13100335A | 241 | 025704120 | 375 |
| 5165910 | 174 | 13100337A | 241 | 025704150 | 375 |
| 5165918 | 173 | 13210336A | 241 | 025704180 | 331 |
| 5165920 | 173 | 13210338A | 241 | 025704180 | 357 |
| 5166319 | 173 | 13310339A | 241 | 025704190 | 376 |
| 5166320 | 173 | 020910723 | 342 | 025704210 | 376 |
| 5166481 | 174 | 020910724 | 342 | 025704220 | 357 |
| 5166520 | 173 | 020910824 | 343 | 025704330 | 374 |
| 5166521 | 174 | 020910825 | 343 | 025704331 | 374 |
| 5166523 | 173 | 020910881 | 344 | 025704341 | 371 |
| 5166530 | 174 | 020911036 | 348 | 025704342 | 369 |
| 5166711 | 174 | 020911047 | 348 | 025704343 | 369 |
| 5166724 | 173 | 020911563 | 334 | 025704360 | 373 |
| 5166811 | 174 | 020911564 | 335 | 025704370 | 374 |

|           |     |            |     |           |     |
|-----------|-----|------------|-----|-----------|-----|
| 025704380 | 372 | 026110026  | 373 | 082505770 | 398 |
| 025704390 | 374 | 026110029  | 373 | 082505790 | 405 |
| 025704420 | 376 | 026110537  | 367 | 082510209 | 397 |
| 025704421 | 377 | 026110553  | 332 | 082605711 | 410 |
| 025704423 | 377 | 026110553  | 358 | 082605791 | 406 |
| 025704430 | 375 | 026110929  | 358 | 082610410 | 401 |
| 025704431 | 375 | 026110949  | 367 | 082610438 | 400 |
| 025704433 | 375 | 026111050  | 332 | 083005440 | 408 |
| 025710254 | 379 | 027503130  | 282 | 083005450 | 409 |
| 025710255 | 379 | 027503140  | 282 | 084011761 | 389 |
| 025710495 | 378 | 027503830  | 281 | 084011762 | 389 |
| 025710534 | 368 | 027503830C | 281 | 084011763 | 389 |
| 025710552 | 331 | 027503832  | 281 | 084011764 | 389 |
| 025710552 | 357 | 027503832A | 281 | 084011765 | 405 |
| 025710743 | 332 | 027503832B | 281 | 084011772 | 396 |
| 025710763 | 376 | 027503833  | 282 | 084011773 | 396 |
| 025710927 | 357 | 027510444  | 281 | 084011774 | 396 |
| 025710947 | 368 | 027704110  | 306 | 084011775 | 396 |
| 025711049 | 331 | 027711239  | 312 | 084011776 | 396 |
| 025711171 | 364 | 027711240  | 312 | 100506120 | 413 |
| 025711172 | 354 | 027711241  | 313 | 100506130 | 409 |
| 025711173 | 341 | 027711242  | 313 | 100506270 | 413 |
| 025711173 | 354 | 027711414  | 313 | 100506290 | 407 |
| 025711173 | 364 | 31109644   | 228 | 100510188 | 407 |
| 025711173 | 385 | 80110743A  | 634 | 100510482 | 413 |
| 025711174 | 341 | 80110848A  | 633 | 100511073 | 417 |
| 025711174 | 354 | 80110849A  | 633 | 100511075 | 416 |
| 025711174 | 364 | 080605190  | 392 | 100906140 | 411 |
| 025711174 | 538 | 080605210  | 401 | 100906300 | 411 |
| 025711175 | 341 | 080605270  | 401 | 100911074 | 423 |
| 025711175 | 355 | 080605311  | 401 | 100911076 | 422 |
| 025711175 | 365 | 081005340  | 391 | 101506190 | 416 |
| 025711188 | 341 | 081005360  | 399 | 101506350 | 414 |
| 025711188 | 354 | 081005380  | 399 | 101806200 | 420 |
| 025711188 | 364 | 081005420  | 399 | 101806360 | 421 |
| 025711225 | 370 | 081105350  | 392 | 102006150 | 408 |
| 025711226 | 371 | 081105370  | 401 | 102006160 | 412 |
| 025711229 | 370 | 081105390  | 402 | 102006170 | 415 |
| 025711230 | 371 | 081105430  | 402 | 102006180 | 422 |
| 025711236 | 355 | 081505460  | 389 | 102006310 | 408 |
| 025711236 | 365 | 081505480  | 396 | 102006320 | 412 |
| 025711616 | 376 | 081505500  | 398 | 102006330 | 415 |
| 025711617 | 379 | 081505520  | 405 | 102006331 | 414 |
| 025711620 | 329 | 081505521  | 405 | 102006340 | 421 |
| 025711621 | 330 | 081605470  | 392 | 102006341 | 422 |
| 025711657 | 329 | 081605490  | 402 | 102106230 | 417 |
| 025711660 | 365 | 081605510  | 402 | 102110378 | 418 |
| 025711661 | 355 | 081605530  | 406 | 102110379 | 417 |
| 025711663 | 356 | 082005700  | 390 | 102110380 | 423 |
| 025711664 | 366 | 082005740  | 397 | 102510376 | 418 |
| 025711672 | 356 | 082005760  | 398 | 131003173 | 244 |
| 025711690 | 356 | 082005780  | 405 | 131003174 | 244 |
| 025711691 | 366 | 082005792  | 405 | 131003175 | 244 |
| 026103541 | 367 | 082010189  | 398 | 131003180 | 244 |
| 026104153 | 373 | 082010207  | 397 | 131003181 | 245 |
| 026104184 | 332 | 082105701  | 410 | 131010481 | 239 |
| 026104184 | 358 | 082105781  | 406 | 131011142 | 238 |
| 026104332 | 372 | 082105793  | 406 | 131011434 | 241 |
| 026104351 | 371 | 082110409  | 400 | 131011658 | 247 |
| 026104352 | 369 | 082110437  | 400 | 131011659 | 247 |
| 026104361 | 372 | 082500211  | 398 | 131011674 | 247 |
| 026104371 | 372 | 082505710  | 390 | 132103850 | 239 |
| 026104391 | 372 | 082505750  | 397 | 133110261 | 242 |

|            |     |            |     |
|------------|-----|------------|-----|
| 190503330  | 524 | 510511689  | 664 |
| 190510265  | 525 | 580610497  | 259 |
| 190803323  | 526 | 580610498  | 259 |
| 190810263  | 526 | 580611207  | 254 |
| 190810264  | 526 | 580611208  | 254 |
| 240511758  | 631 | 580611209  | 254 |
| 240511759  | 631 | 580611210  | 254 |
| 350507311  | 111 | 580611211  | 254 |
| 350507321  | 111 | 600010795  | 255 |
| 350507331  | 112 | 600011412  | 255 |
| 350510245  | 111 | 600011413  | 255 |
| 350510761  | 111 | 605010891  | 659 |
| 352110647  | 223 | 710511283  | 662 |
| 352110710  | 223 | 740510817  | 658 |
| 400510419  | 209 | 741209031  | 259 |
| 510510554  | 650 | 741211058  | 662 |
| 510510555  | 650 | 800500052  | 634 |
| 510510555A | 650 | 800507246  | 635 |
| 510510556  | 639 | 800507246  | 658 |
| 510510556  | 644 | 800507247  | 635 |
| 510510556  | 650 | 800507247  | 658 |
| 510510608  | 661 | 800507251  | 636 |
| 510510863  | 648 | 800507260  | 635 |
| 510510864  | 649 | 800507270  | 635 |
| 510510867  | 656 | 800507280  | 635 |
| 510510868  | 657 | 800507282  | 635 |
| 510510872  | 660 | 800508362  | 634 |
| 510510874  | 661 | 800508530  | 634 |
| 510510925  | 662 | 800510218  | 634 |
| 510511016  | 654 | 801100044  | 633 |
| 510511029  | 660 | 801107427  | 633 |
| 510511030  | 652 | 801108480  | 633 |
| 510511031  | 653 | 801108490  | 633 |
| 510511046  | 665 | 801108500  | 632 |
| 510511155  | 659 | 801110476  | 633 |
| 510511157  | 659 | 801110477  | 632 |
| 510511279  | 639 | 801110882  | 634 |
| 510511279  | 645 | 801110883  | 632 |
| 510511279  | 663 | 801111420  | 632 |
| 510511427  | 639 | 801607350  | 637 |
| 510511427  | 642 | 801607360  | 637 |
| 510511428  | 639 | 801607370  | 637 |
| 510511428  | 644 | 801607371  | 637 |
| 510511429  | 639 | 2900000050 | 183 |
| 510511429  | 643 | 2900000150 | 183 |
| 510511462  | 639 | S10313010  | 282 |
| 510511462  | 642 | S20313004  | 282 |
| 510511463  | 639 |            |     |
| 510511463  | 641 |            |     |
| 510511463  | 654 |            |     |
| 510511464  | 639 |            |     |
| 510511464  | 646 |            |     |
| 510511465  | 639 |            |     |
| 510511465  | 646 |            |     |
| 510511467  | 639 |            |     |
| 510511467  | 645 |            |     |
| 510511469  | 639 |            |     |
| 510511469  | 643 |            |     |
| 510511587  | 639 |            |     |
| 510511587  | 643 |            |     |
| 510511598  | 639 |            |     |
| 510511598  | 644 |            |     |
| 510511667  | 665 |            |     |



## SPRZĘGI

Haki, pierścienie, KONEXO, belki, DIN40 i 50, inne

## COUPLINGS

*Couplings, drawbar eyes, KONEXO, towing yokes, DIN 40 & 50, others*





**ZALECENIA DLA SPRZĘGÓW (HAKI I UCHA)**

Sprzęg stanowiący ogniwo pośrednie między pojazdem ciągnącym a przyczepą jest elementem wpływającym na BEZPIECZEŃSTWO, w związku z czym należy uwzględnić każde z kryteriów doboru w podanej niżej kolejności, tak aby być pewnym, że dokonano wyboru urządzenia najbardziej odpowiedniego.

Aby pomóc Państwu w tej czynności, wydało nam się niezbędnym zgrupować w poniższym słowniku bieżąco stosowaną terminologię do określenia wyboru urządzenia odpowiadającego danej funkcji i danym warunkom technicznym.

- PTR (t) : Całkowita masa naładowanej przyczepy.      V (KN) : Maksymalna dopuszczalna siła dynamiczna wywołwana przez zestaw drogowy z przyczepą z osią (osiami) centralną (centralnymi).
- PTRA (t) : Całkowita masa dopuszczalna zestawu drogowego.      S (Kg) : Pionowe obciążenie statyczne.
- PTAC (t) : Całkowita masa dopuszczalna (masa pojazdu).      X (m) : Długość płyty przyczepy z osią (osiami) centralną (centralnymi).
- D (KN) : Maksymalna dynamiczna siła pozioma wywołwana przez zestaw drogowy z dyszlem przegubowym (Rys. 1).      L (m) : odległość ucha.
- Dc (KN) : Maksymalna dynamiczna siła pozioma wywołwana przez zestaw drogowy z osią (osiami) centralną (centralnymi) (Rys. 3).
- T (t) : PTAC pojazdu ciągnącego.      a : Współczynnik równy 2,4 dla pojazdu ciągnącego z zawieszaniem mechanicznym.
- R (t) : PTR przyczepy z dyszlem przegubowym.      U (t) : Obciążenie pionowe przyłożone do siódła.
- C (t) : PTR przyczepy z osią (osiami) centralną (centralnymi).

Zestaw drogowy z dyszlem przegubowym



Rysunek 1



Rysunek 2

Zestaw drogowy z osią centralną



Rysunek 3



Rysunek 4

**SIŁY I OBCIĄŻENIA :**

Poniższe oceny winny być dokonywane z uwzględnieniem wartości w stanie gotowym do drogi, to znaczy z pojazdem ciągnącym i przyczepą naładowanymi.

Stosowanym kryterium jest PTR (całkowita masa ciągniona) (R lub C), lecz to nie wystarcza, należy jeszcze je uzupełnić o następujące wskaźniki zależne od konfiguracji zestawu drogowego:

**Przypadek pierwszy: przyczepa z dyszlem przegubowym:** (Rysunek 1 i Rysunek 2).

Określić siłę dynamiczną D powodowaną przez ciągnięcie

$$D = \frac{T \times R}{T + R} \times 9,81$$

W tym przypadku zakładamy, że nie ma składowej pionowej siły, co odpowiada dyszlowi poziomemu, równoległemu do podłoża. Jeżeli tak nie jest, próbować uzyskać tę poziomość przez regulowanie ucha lub haka, tak aby nie ograniczać odchyżeń kątowych. Wreszcie, gdy dyszel nie jest poziomy, obliczyć (w daN) składową pionową i znaleźć wyrób posiadający większą zdolność D.

**Drugi przypadek: Przyczepa z osią (osiami) centralną (centralnymi):** (rysunek 3 i rysunek 4).

Określić następujące siły dynamiczne wywołwane przez ciągnięcie:

$$Dc = \frac{T \times C}{T + C} \times 9,81 \quad \text{et} \quad V = \frac{X \times X \times C \times a}{L \times L}$$

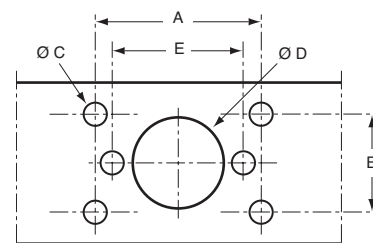
i znaleźć obciążenie statyczne: S.

Wartości D, Dc, V, S podane w katalogu odpowiadają maksymalnym zdolnościom wyrobów umieszczonych w katalogu. Do klienta należy dokonanie wyboru, stosownie do zestawu drogowego jaki należy wyposażyć, wyrobu lub wyrobów posiadających zdolność większą od sił wywołwanych przez ciągnięcie. Przykładowa modelowa karta obliczeń znajduje się na stronie str. 12.

**GEEOMETRIA BELKI POPRZECZNEJ:**

Większość belek poprzecznych jest odwiercona w trakcie produkcji i przewidziana do ciągnięcia danego obciążenia maksymalnego. Podobnie normy NFR 17110 (BNA 787), ISO 3853 i 3584, jak również DIN 74051 określają te cechy geometryczne odwiercenia; poniższa tabela ujmuje główne stosowane układy otworów:

| WIERCENIE | Ø C (mm) | A(mm) | B(mm) | Ø D (mm) | E (mm) | Kod Pommier | Kod DIN    |
|-----------|----------|-------|-------|----------|--------|-------------|------------|
| 2 otwory  | 17       | -     | -     | -        | 90     | P4          | -          |
| 4 otwory  | 17       | 90    | 40    | -        | -      | P5          | -          |
| 4 otwory  | 17       | 90    | 50    | -        | -      | P6          | -          |
| 4 otwory  | 10,5     | 83    | 56    | 55       | -      | PO          | U lub G125 |
| 4 otwory  | 13       | 85,7  | 44,5  | -        | -      | PUS         | -          |
| 4 otwory  | 15       | 120   | 55    | 75       | -      | P1          | U lub G135 |
| 4 otwory  | 17       | 140   | 80    | 85       | -      | P2          | U lub G145 |
| 4 otwory  | 21       | 160   | 100   | 95       | -      | P3          | U lub G150 |
| 6 otwory  | 21       | 260   | 100   | 85       | 180    | G260        | -          |



Dla innych: prosimy o kontakt.



## ZALECENIA DLA SPRZĘGÓW (HAKI I UCHA)

### KOMPATYBILNOŚĆ :

W pewnych przypadkach może być tak, że wybór ucha lub sprzęgu jest już narzucony i że trzeba określić element uzupełniający; należy wówczas uwzględnić wzajemną kompatybilność wyrobów. Poniższa tabela podaje w obszarze zacienionym kompatybilność poszczególnych skojarzeń.

|                 |                            | UCHO  |       |         |       |           |            |                                  |       |       |
|-----------------|----------------------------|-------|-------|---------|-------|-----------|------------|----------------------------------|-------|-------|
|                 |                            | 18x28 | 20x40 | 30x50,6 | 36x56 | BNA 42x68 | DEFA 42x76 | Zaczępy kule<br>Środkujące 50 mm | DIN40 | DIN50 |
| SPRZĘGI         | UCHWYTY WIDEŁKOWE 90       |       |       |         | ✓     | ✓         | ✓          |                                  |       |       |
|                 | UCHWYTY WIDEŁKOWE 93A      |       |       | ✓       | ✓     | ✓         | ✓          |                                  |       |       |
|                 | UCHWYTY WIDEŁKOWE 93R      |       |       | ✓       | ✓     | ✓         | ✓          | ✓                                |       |       |
|                 | UCHWYTY WIDEŁKOWE 98       |       |       |         |       | ✓         | ✓          |                                  |       |       |
|                 | UCHWYTY WIDEŁKOWE 98 boule |       |       |         |       | ✓         | ✓          | ✓                                |       |       |
|                 | UCHWYTY WIDEŁKOWE 99A      |       |       |         |       | ✓         | ✓          |                                  |       |       |
|                 | HAKI 25C                   | ✓     | ✓     |         | ✓     | ✓         | ✓          |                                  |       |       |
|                 | HAKI 41A                   |       |       |         | ✓     | ✓         | ✓          |                                  |       |       |
|                 | HAKI 57                    |       |       |         |       | ✓         | ✓          |                                  |       |       |
|                 | HAKI 64                    |       |       |         |       | ✓         | ✓          |                                  |       |       |
|                 | HAKI 70C                   |       |       |         |       | ✓         | ✓          | ✓                                |       |       |
|                 | HAKI 77                    |       |       |         |       | ✓         | ✓          |                                  |       |       |
|                 | HAKI A500                  |       |       |         |       |           |            |                                  | ✓     |       |
|                 | HAKI COMPACT 40            |       |       |         |       |           |            |                                  | ✓     |       |
|                 | HAKI EUROTRACT             |       |       |         |       |           |            |                                  |       | ✓     |
|                 | HAKI INTEGRAL              |       |       |         |       | ✓         | ✓          |                                  |       |       |
|                 | HAKI KONEXO                |       |       |         |       | ✓         | ✓          |                                  |       |       |
|                 | HAKI MINITRACT             |       |       |         |       |           |            |                                  | ✓     |       |
| HAKI MULTIS     |                            |       |       |         | ✓     | ✓         | ✓          |                                  |       |       |
| KULE ŚRODKUJĄCE |                            |       |       |         |       |           | ✓          |                                  |       |       |

We wszystkich przypadkach, biorąc pod uwagę normy NFR 411.01 oraz 02 (BNA 263 i 264), a także warunki techniczne DEFA STAC 1814 (wojskowe), aby uniknąć jakiegokolwiek niebezpieczeństwa:

- dla zastosowań cywilnych Bureau National de l'Automobile (państwowe biuro motoryzacyjne) zaleca hak zablokowany przeciwko obrotowi wokół jego osi wzdłużnej, sprzężony z uchem mogącym obracać się wokół swojej osi wzdłużnej,
- dla zastosowań wojskowych hak jest obrotowy, a ucho (42 x 76) jest stałe.
- To samo dotyczy wersji cywilnych sprzęgów sprzęganych z uchami DIN z tulejkami 40 i 50 mm według odnośnych norm DIN 74051, 74053, 74054 oraz ISO.

### PARAMETRY MONTAŻU:

Wszystkie urządzenia, o ile nie podano innych warunków, przewidziane są do mocowania śrubami. Śruby mocujące winny posiadać klasę co najmniej 8.8 (o ile nie podano inaczej). Nakrętki samohamowne bezpieczne lub wyposażone w podkładkę sprężystą winny posiadać klasę odpowiadającą klasie śrub. Zalecane momenty dokręcania w zależności od średnicy podano w poniższej tabeli:

| klasa                     | 8.8 |    |    |    |    | 10.9 |    |    |    |    | 12.9 |    |    |    |    |
|---------------------------|-----|----|----|----|----|------|----|----|----|----|------|----|----|----|----|
|                           | 10  | 12 | 14 | 16 | 20 | 10   | 12 | 14 | 16 | 20 | 10   | 12 | 14 | 16 | 20 |
| Średnica (mm)             | 10  | 12 | 14 | 16 | 20 | 10   | 12 | 14 | 16 | 20 | 10   | 12 | 14 | 16 | 20 |
| Moment dokręcania (m.daN) | 5   | 8  | 13 | 20 | 40 | 6    | 11 | 18 | 30 | 55 | 8    | 13 | 22 | 30 | 65 |

### KONSERWACJA WPŁYWA NA BEZPIECZEŃSTWO:

Nie lekceważyc jej!!

Sprzęg jest elementem wpływającym na bezpieczeństwo. Z tego powodu winien on być konserwowany i sprawdzany regularnie co 10 000 kilometrów lub co miesiąc, w zależności od tego, co zostanie osiągnięte prędkiej.

Smarować często przy pomocy smarownic lub bezpośrednio części ruchome co najmniej co 10 000 km lub co miesiąc.

Sprawdzać w tym samym czasie, czy zużycie lub wybicie nie przekracza 0,5 mm.

### CZĘŚCI ZAMIENNE:

Prosimy zwrócić się do nas, doradzimy odpowiednio do Państwa potrzeb.

W przypadku demontażu wymienić sworznie i „zużywające się” akcesoria.

### PROJEKTOWANIE I DORADZTWO:

Jesteśmy do Państwa dyspozycji odnośnie wszelkich specyficznych i konkretnych potrzeb porady, zaprojektowania i wykonania.

Zastrzegamy sobie prawo wprowadzania do wszystkich części składowych naszych wyrobów zmian mogących przyczynić się do polepszenia; także wszystkie wymiary podane w niniejszym katalogu podane są niezobowiązująco i mogą być przedmiotem zmian bez powiadomienia z naszej strony.






**PRZYKŁADY OBLICZEŃ**
**Zastosowanie ucha na przyczepie z dyszlem przegubowym**

 Znaleźć  $D'$  (kN)

$$\text{Wzór: } D = \frac{T \times R}{T + R} \times 9,81$$

 Chodzi o znalezienie w katalogu ogólnym ucha na podstawie wartości  $D$  większej lub równej wartości  $D'$ 

|                    |   |   |   |
|--------------------|---|---|---|
|                    |  |  |  |
| T.T.W.A.           | 75  |   |   |
| T.T.W. Trailer : R |   | 38  |   |
| T.T.W. Tractor : T |   |   | 37  |

Przykład liczbowy:

$$D' = \frac{37 \times 38}{37 + 38} \times 9,81$$

$$D' = 183,9 \text{ kN}$$

 Otrzymujemy wartość  $D' = 183,9 \text{ kN}$  dla tego zestawu drogowego. Na podstawie tej wartości  $D'$  znaleźć wyższą wartość  $D$  widniejącą w katalogu.

Przykład: ucha wymienione poniżej mogą odpowiadać temu przypadkowi zastosowania.

 Nr katalogowy **29.05922** i **29.05917**

 UWAGA: na przyczepie z dyszlem przegubowym wartości  $V$  (kN) oraz  $S$  (kg) są pomijalne.

Nie będą one uwzględnione w obliczeniach, jeżeli dyszel jest poziomy i równoległy do podłoża.

**Zastosowanie ucha na przyczepie z osią (osiąmi) centralną (centralnymi)**

 Znaleźć  $V'$  (kN)




 Znaleźć  $D_c$  (kN)

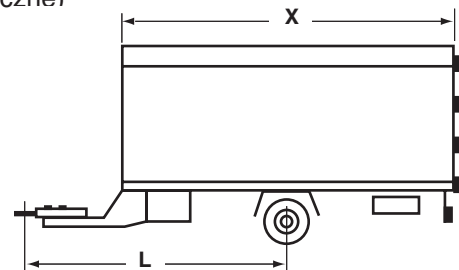
$$\text{Formule: } V = \frac{C \times X \times X \times a}{L \times L}$$

$$D_c = \frac{T \times C}{T + C} \times 9,81$$

 Chodzi o znalezienie, w katalogu ogólnym, dyszla z takim uchem, które jednocześnie posiadałoby możliwości przenoszenia siły  $D$  i  $V$  o wymaganej wartości, wyższej lub równej wartościom  $V'$  i  $D_c'$  występującym w zestawie drogowym.

 Przykład liczbowy :  $X = 6500$  ;  $L = 5030$  ;  $a = 1,80$  (zawieszenie pneumatyczne)

|                    |   |   |   |
|--------------------|---|---|---|
|                    |  |  |  |
| T.T.W.A.           | 44  |   |   |
| T.T.W. Trailer : C |   | 19  |   |
| T.T.W. Tractor : T |   |   | 25  |



$$V' = \frac{19 \times 6500 \times 6500 \times 1,80}{5030 \times 5030}$$

$$D_c' = \frac{25 \times 19}{25 + 19} \times 9,81$$

$$V' = 57,11 \text{ kN}$$

 Dla wyżej wymienionego zestawu drogowego wartość  $D_c'$  wynosi 105,90 kN.

 Uzyskujemy wartość  $V' = 57,11 \text{ kN}$  oraz  $D_c' = 105,90 \text{ kN}$  dla tego zestawu drogowego. Na podstawie tych dwóch wartości należy w katalogu znaleźć najbliższe wyższe wartości  $V$  i  $D_c$ .

PRZYKŁAD: ucha niżej wymienionych dyszli mogą odpowiadać temu przypadkowi zastosowania.

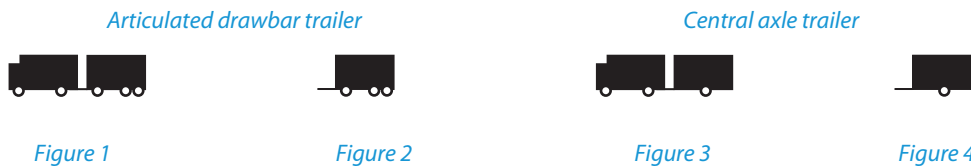
**29.05922** i **29.05917**
**Zalecenie:** dla sprawdzenia wartości  $S$  (kg) (maksymalne dopuszczalne obciążenie statyczne) radzimy zmierzyć ją na końcu dyszla przyczepy w chwili, gdy będzie ona gotowa do drogi (obciążenie równomiernie rozmieszczone we wnętrzu przyczepy).



RECOMMENDATIONS FOR COUPLINGS (COUPLINGS, DRAWBAR EYES AND DRAWBARS HEADS)

A trailer coupling, as the interface between a tractor and trailer, is an essential SAFETY item. Each selection criterion must be reviewed in sequence to be sure of selecting the best equipment for the trailer. In order to provide guidance for selecting the right coupling, we have compiled the following glossary of the terms commonly used to determine a coupling for a given function and to meet given specifications.

- TTW (t): Total Trailer Load
TTWA (t): Authorised Total Trailer Load
GVWR (t): Gross vehicle weight rating
D (kN): Maximum Horizontal Dynamic Force produced by an articulated drawbar trailer (Figure 1)
Dc (kN): Maximum Horizontal Dynamic Force produced by a central axle(s) trailer (Figure 3)
T (t): TTW of the tractor
R (t): TTW of the articulated drawbar trailer
C (t): TTW of the central axle trailer
V (kN): Maximum Acceptable Vertical Dynamic Force produced by a central axle trailer
S (kg): Vertical static load
X (m): Length of the loading platform of a central axle trailer
L (m): Length of the drawbar at the centre of the axle
a: Coefficient of 2.4 for a tractor with mechanical suspension
Coefficient of 1.8 for a tractor with pneumatic suspension
U (t): Vertical load applied to the fifth wheel



FORCES AND LOADS

The following evaluations should be made assuming values encountered during services, i. e. with the tractor and trailer loaded. The criteria used is the Total Trailer Load (R or C), however, this is not sufficient. The characteristics values indicators must also be incorporated to reflect the configuration of the truck:

Case 1: trailer with articulated drawbar: (Figures 1 and 2). Evaluate dynamic loads generated by the truck

D = (T x R / T + R) x 9,81

In this case, it is assumed that there is no vertical load component; this corresponds to a horizontal drawbar which is parallel to the ground. If this is not the case, attempt to achieve horizontality by adjustment of the coupling or the drawbar without restricting angular displacement.

Case 2: trailer with central axle(s): (Figures 3 and 4). Evaluate the following dynamic loads generated by the truck:

Dc = (T x C / T + C) x 9,81 and V = (X x X x C x a / L x L)

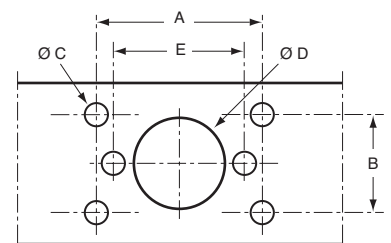
Find the static load, S.

The D, Dc, V and S values given in this catalogue are the maximum capabilities of the products presented. In the respect of the highway code in force, the buyer is responsible for selecting a product (or products) with capabilities greater than the forces generated in a given truck. A typical calculation is presented for illustration purposes on page 16.

UNDER BAR GEOMETRY

Most under bar geometry are pre-drilled and designed to tract a predetermined maximum load. Standards NFR 17110 (BNA 787), ISO 3853 and DIN 74051 establish hole geometries. The table below gives the principal mounting dimensions and holes we use :

Table with 8 columns: HOLE, Ø C (mm), A(mm), B(mm), Ø D (mm), E (mm), Code Pommier, Code DIN. It lists various hole configurations and their dimensions.



For other dimensions, consult us.

**RECOMMENDATIONS FOR COUPLINGS (COUPLINGS, DRAWBAR EYES AND DRAWBARS HEADS)**
**COMPATIBILITY**

In some cases, the coupling or drawbar eyes selection may already be made and additional hardware must be provided. In such cases, COMPATIBILITY of products is important. The shaded areas of the following table indicate compatible combinations.

|                  |                     | DRAWBAR EYES |       |         |       |           |            |                                 |       |       |
|------------------|---------------------|--------------|-------|---------|-------|-----------|------------|---------------------------------|-------|-------|
|                  |                     | 18x28        | 20x40 | 30x50,6 | 36x56 | BNA 42x68 | DEFA 42x76 | Coupling head towing ball 50 mm | DIN40 | DIN50 |
| <b>COUPLINGS</b> | Towing yoke 90      |              |       |         | ✓     | ✓         | ✓          |                                 |       |       |
|                  | Towing yoke 93A     |              |       | ✓       | ✓     | ✓         | ✓          |                                 |       |       |
|                  | Towing yoke 93R     |              |       | ✓       | ✓     | ✓         | ✓          | ✓                               |       |       |
|                  | Towing yoke 98      |              |       |         |       | ✓         | ✓          |                                 |       |       |
|                  | Towing yoke 98 ball |              |       |         |       | ✓         | ✓          | ✓                               |       |       |
|                  | Towing yoke 99A     |              |       |         |       | ✓         | ✓          |                                 |       |       |
|                  | Coupling 25C        | ✓            | ✓     |         | ✓     | ✓         | ✓          |                                 |       |       |
|                  | Coupling 41A        |              |       |         | ✓     | ✓         | ✓          |                                 |       |       |
|                  | Coupling 57         |              |       |         |       | ✓         | ✓          |                                 |       |       |
|                  | Coupling 64         |              |       |         |       | ✓         | ✓          |                                 |       |       |
|                  | Coupling 70C        |              |       |         |       | ✓         | ✓          | ✓                               |       |       |
|                  | Coupling 77         |              |       |         |       | ✓         | ✓          |                                 |       |       |
|                  | Coupling A500       |              |       |         |       |           |            |                                 | ✓     |       |
|                  | Coupling COMPACT 40 |              |       |         |       |           |            |                                 | ✓     |       |
|                  | Coupling EUROTRACT  |              |       |         |       |           |            |                                 |       | ✓     |
|                  | Coupling INTEGRAL   |              |       |         |       | ✓         | ✓          |                                 |       |       |
|                  | Coupling KONEXO     |              |       |         |       | ✓         | ✓          |                                 |       |       |
|                  | Coupling MINITRACT  |              |       |         |       |           |            |                                 | ✓     |       |
|                  | Coupling MULTIS     |              |       |         |       | ✓         | ✓          | ✓                               |       |       |
|                  | Towing ball         |              |       |         |       |           |            | ✓                               |       |       |

In all cases, given specifications NFR 411.01 and 02 (BNA 263 and 264) and the DEFA STAC (military) technical specification and to eliminate risks:

- for non-military applications, the French «National Automotive Bureau» specifies that the coupling should be fixed to prevent rotation around its longitudinal axis and coupled to a ring (or drawbar) which is free to rotate around its longitudinal axis.
- for military applications, the hook must be free to rotate and the drawbar (42 x 76) fixed.
- the same applies to civil versions or drawbar to be coupled to DIN drawbar with 40 or 50 mm supports as per DIN standards 74051, 74053, and 74054 and applicable ISO standards.

**ASSEMBLY PARAMETERS**

Excepted opposite otherwise mentioned in the technical notice, all drawbar devices are designed to be bolted. The bolt fastener must be minimum at least class 8.8, the locknuts or nuts with split lock washers should be of a class commensurate with the bolt used. Tightening torques as a function of diameter are tabulated below.

| Screw grade                | 8.8 |    |    |    |    | 10.9 |    |    |    |    | 12.9 |    |    |    |    |
|----------------------------|-----|----|----|----|----|------|----|----|----|----|------|----|----|----|----|
|                            | 10  | 12 | 14 | 16 | 20 | 10   | 12 | 14 | 16 | 20 | 10   | 12 | 14 | 16 | 20 |
| Diameter (mm)              | 10  | 12 | 14 | 16 | 20 | 10   | 12 | 14 | 16 | 20 | 10   | 12 | 14 | 16 | 20 |
| Tightening torque (m.daN)* | 5   | 8  | 13 | 20 | 40 | 6    | 11 | 18 | 30 | 55 | 8    | 13 | 22 | 30 | 65 |

\* Tolerance of the following tightening torque normalizes NFE 25-030 Classe precision A ± 10%

**SAFETY MAINTENANCE**

Do not neglect safety maintenance.

Your drawbar is an important safety item. As such, it should be maintained and inspected regularly every 10,000 km, or every month, whichever comes first.

Lubricate drawbar frequently, either using lubricators or by directly accessing mobile components. Lubricate every 10,000 km, or every month. When lubricating, check that wear or peening depth does not exceed 0,5 mm.

**SPARE PARTS**

Consult us. We will advise you based on your needs.

If the equipment is disassembled, reassemble using new pins and consumables.

**DESIGN SERVICES**

We are available to help with any of your specific requirements in the fields of consulting, design and manufacturing.

We reserve the right to modify any component of our product to help improve them. All dimensions given in this catalogue are given for information only and may be modified at any time without prior notice.



EXAMPLES OF CALCULATIONS

Using a drawbar on a trailer with articulate drawbar

Find D' (kN)

Formula:  $D = \frac{T \times R}{T + R} \times 9,81$

This calculation is performed to identify a drawbar in the catalogue with a D value greater than or equal to D'.

|                    |    |    |    |
|--------------------|----|----|----|
|                    |    |    |    |
| T.T.W.A.           | 75 |    |    |
| T.T.W. Trailer : R |    | 38 |    |
| T.T.W. Tractor : T |    |    | 37 |

Illustration

$D' = \frac{37 \times 38}{37 + 38} \times 9,81$

**D' = 183,9 kN**

This gives D' = 183.9 kN for this particular truck. Use the calculated D' value and find drawbar in our catalogue with a D value just above this value.

Example: the drawbar references below are suitable for this case.

Ref.: 2905922 and 2905917

Note: On a trailer with an articulated drawbar, the V (kN) and S (kg) values are negligible. They can be ignored in the calculation if the boom is horizontal and parallel to the ground

Using a drawbar on a trailer a central axle(s) trailer

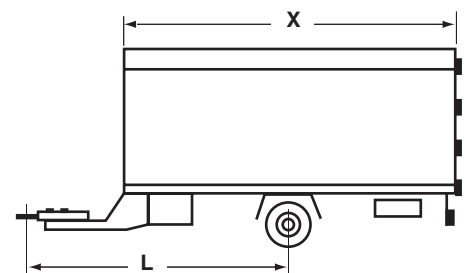
Find V' (kN)

Formule:  $V = \frac{C \times X \times X \times a}{L \times L}$        $Dc' = \frac{T \times C}{T + C} \times 9,81$

This calculation is performed to identify a trailer in the catalogue with a V value greater than or equal to the V' value for the truck.

Illustration: X = 6,500; L = 5,030; a = 1.80 (with pneumatic suspension).

|                    |    |    |    |
|--------------------|----|----|----|
|                    |    |    |    |
| T.T.W.A.           | 44 |    |    |
| T.T.W. Trailer : C |    | 19 |    |
| T.T.W. Tractor : T |    |    | 25 |



$V' = \frac{19 \times 6500 \times 6500 \times 1,80}{5030 \times 5030}$

$Dc' = \frac{25 \times 19}{25 + 19} \times 9,81$

**V' = 57,11 kN**

For the above truck, the value of D'c is 105.90 kN.

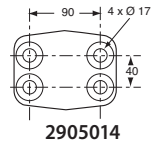
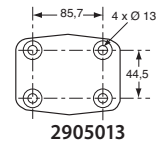
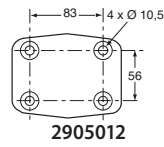
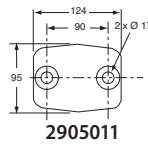
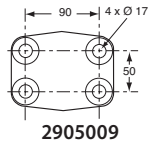
We obtain V' = 57.11 kN and D'c = 105.90 for this particular truck. Now find a model in the catalogue with V and Dc values greater the minimum calculated.

Example: the drawbar head references below are suitable for this case.

Ref.: 2905922 and 2905917

**Suggestion:** to check the value of maximum admissible static loads, S (kg), we recommend you measure it at the end of the trailer drawbar once the trailer is in working condition (loads uniformly distributed on the trailer)

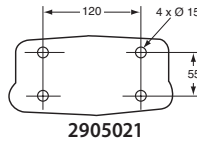
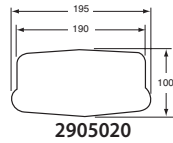
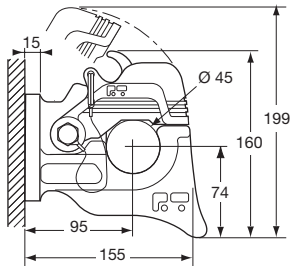
**HAKI STAŁE - FIXED COUPLINGS**



Hak 25 C.  
Coupling 25 C.

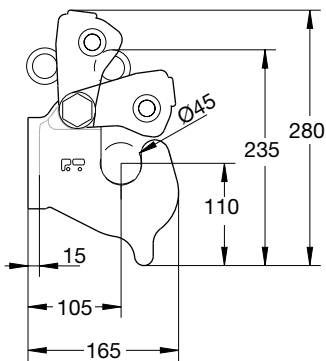


| Nr katalog.<br>Reference | Kg  | D<br>(kN) | Dc<br>(kN) | S<br>(kg) | <br>(t) maxi | <br>(t) maxi |
|--------------------------|-----|-----------|------------|-----------|--------------|--------------|
| 2905009                  | 3,2 | 20        | 20         | 120       | 8,5          | 3,5          |
| 2905011                  | 3,2 | 20        | 20         | 120       | 8,5          | 3,5          |
| 2905012                  | 3,2 | 20        | 20         | 120       | 8,5          | 3,5          |
| 2905013                  | 3,2 | 20        | 20         | 120       | 8,5          | 3,5          |
| 2905014                  | 3,2 | 20        | 20         | 120       | 8,5          | 3,5          |

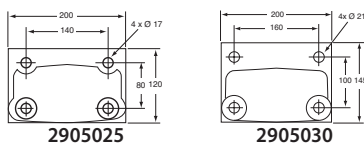


Hak 57 B.  
Coupling 57 B.

| Nr katalog.<br>Reference | Kg  | D<br>(kN) | <br>(t) maxi | <br>(t) maxi | Dc<br>(kN) | S<br>(kg) | V<br>(kN) | <br>(t) maxi | <br>(t) maxi |
|--------------------------|-----|-----------|--------------|--------------|------------|-----------|-----------|--------------|--------------|
| 2905020                  | 8,5 | -         | -            | -            | -          | -         | -         | -            | -            |
| 2905021                  | 8,5 | 70        | 28,5         | 14           | 50         | 650       | 18        | 40           | 6,5          |

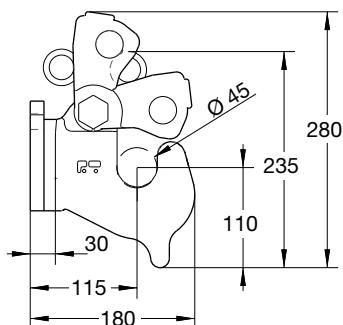


**HAKI STAŁE - FIXED COUPLINGS**

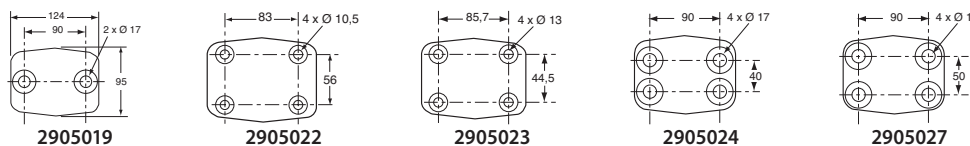


Hak 57 BC / BD.  
Coupling 57 BC / BD.

| Nr katalog.<br>Reference | Kg    | D<br>(kN) | (t) maxi | (t) maxi | Dc<br>(kN) | S<br>(kg) | V<br>(kN) | (t) maxi | (t) maxi |
|--------------------------|-------|-----------|----------|----------|------------|-----------|-----------|----------|----------|
| 2905025                  | 11,22 | 100       | 44       | 20       | 70         | 900       | 25        | 44       | 9        |
| 2905030                  | 11,75 | 130       | 44       | 25       | 90         | 1000      | 35        | 44       | 13       |



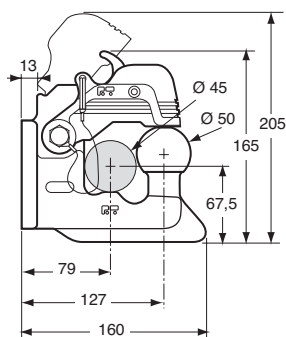
**HAKI MIESZANY - MIXED COUPLINGS**

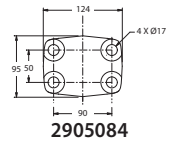
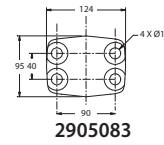
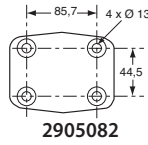
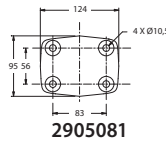
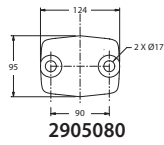


Hak kulowy 70C.  
Ball coupling 70C.

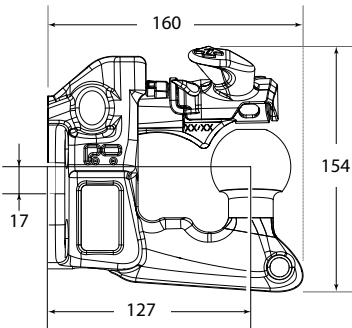
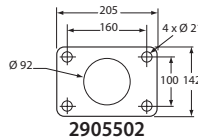
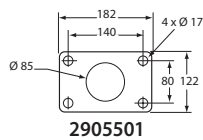
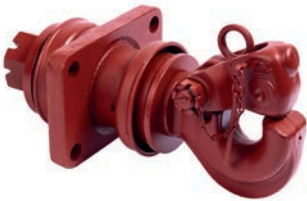


| Nr katalog.<br>Reference | Kg  | D<br>(kN) | S<br>(kg) | (t) maxi | (t) maxi |
|--------------------------|-----|-----------|-----------|----------|----------|
| 2905019                  | 4,4 | 31        | 375       | 35,5     | 3,5      |
| 2905022                  | 4,4 | 31        | 375       | 35,5     | 3,5      |
| 2905023                  | 4,4 | 31        | 375       | 35,5     | 3,5      |
| 2905024                  | 4,4 | 31        | 375       | 35,5     | 3,5      |
| 2905027                  | 4,4 | 31        | 375       | 35,5     | 3,5      |

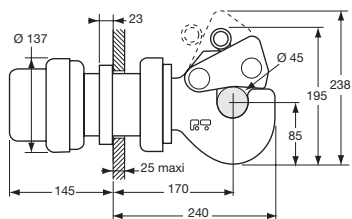


**HAKI MIESZANY - MIXED COUPLINGS**

 Hak holowniczy MULTIS.  
 Coupling MULTIS.


| Nr katalog.<br>Reference | Kg  | D<br>(kN) | S<br>(kg) | <br>(t) maxi (t) maxi |     |
|--------------------------|-----|-----------|-----------|-----------------------|-----|
|                          |     |           |           |                       |     |
| 2905080                  | 4,2 | 31        | 375       | 35,5                  | 3,5 |
| 2905081                  | 4,2 | 31        | 375       | 35,5                  | 3,5 |
| 2905082                  | 4,2 | 31        | 375       | 35,5                  | 3,5 |
| 2905083                  | 4,2 | 31        | 375       | 35,5                  | 3,5 |
| 2905084                  | 4,2 | 31        | 375       | 35,5                  | 3,5 |

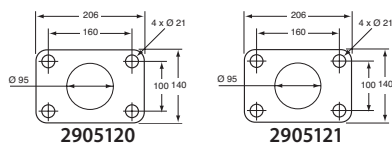
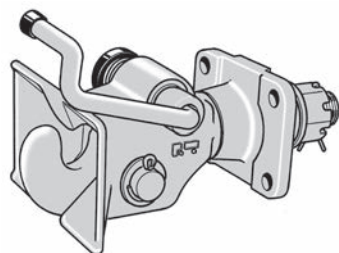

**HAKI STAŁE LUB OBRACANIE - FIXED OR SWIVELLING COUPLINGS**

 Hak 64 EP2.  
 Coupling 64 EP2.

| Nr katalog.<br>Reference | Kg   | D<br>(kN) | <br>(t) maxi (t) maxi |    | Dc<br>(kN) | S<br>(kg) | V<br>(kN) | <br>(t) maxi (t) maxi |    | Typ<br>Type                                    |
|--------------------------|------|-----------|-----------------------|----|------------|-----------|-----------|-----------------------|----|--|
|                          |      |           |                       |    |            |           |           |                       |    |  |
| 2905501                  | 18,5 | 100       | 40                    | 20 | 70         | 900       | 25        | 44                    | 9  | Elastyczne nieobrotowe<br>Fixed shock absorber |
| 2905502                  | 18,5 | 120       | 44                    | 30 | 90         | 1000      | 35        | 44                    | 13 | Elastyczne nieobrotowe<br>Fixed shock absorber |



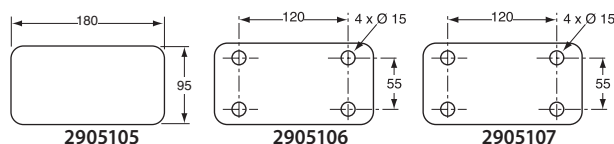
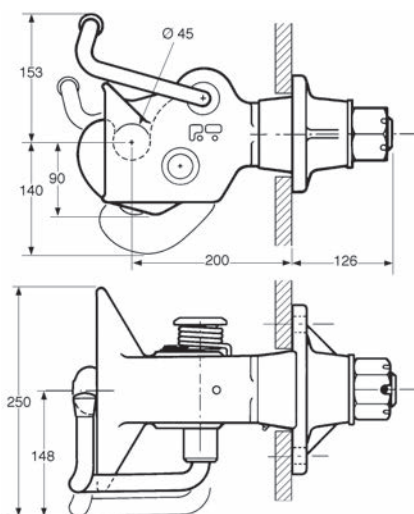


1 HAKI STAŁE LUB OBRACANIE - *FIXED OR SWIVELLING COUPLINGS*



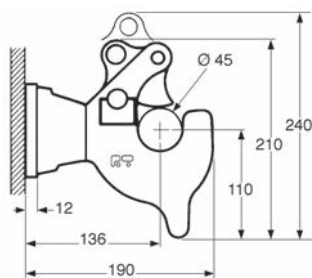
Hak 77.  
*Coupling 77.*

| Nr katalog.<br><i>Reference</i> | $\frac{Kg}{\Delta}$ | D<br>(kN) | (t) maxi | (t) maxi | Dc<br>(kN) | S<br>(kg) | V<br>(kN) | (t) maxi | (t) maxi | Typ<br><i>Type</i>          |
|---------------------------------|---------------------|-----------|----------|----------|------------|-----------|-----------|----------|----------|-----------------------------|
| 2905120                         | 25                  | 120       | 44       | 22       | 85         | 1000      | 30        | 44       | 12       | Stały<br><i>Fixed</i>       |
| 2905121                         | 25                  | 120       | 44       | 22       | 85         | 1000      | 30        | 44       | 12       | Obrotowy<br><i>Rotating</i> |

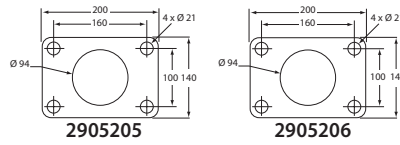


Hak 41 A.  
*Coupling 41 A.*

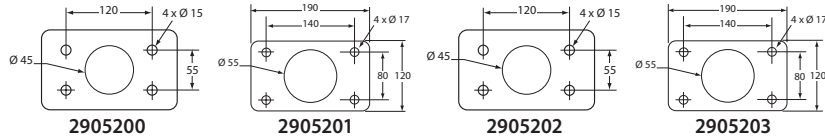
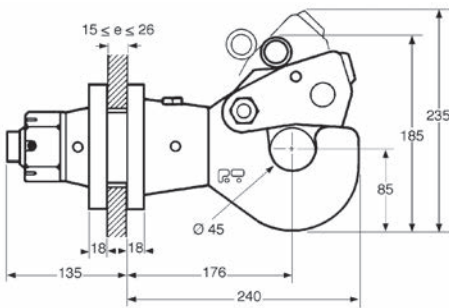
| Nr katalog.<br><i>Reference</i> | $\frac{Kg}{\Delta}$ | D<br>(kN) | (t) maxi | (t) maxi | Dc<br>(kN) | S<br>(kg) | V<br>(kN) | (t) maxi | (t) maxi | Typ<br><i>Type</i>          |
|---------------------------------|---------------------|-----------|----------|----------|------------|-----------|-----------|----------|----------|-----------------------------|
| 2905105                         | 6                   | -         | -        | -        | -          | -         | -         | -        | -        | Stały<br><i>Fixed</i>       |
| 2905106                         | 6                   | 50        | 20       | 8        | 27         | 650       | 14        | 11       | 5        | Stały<br><i>Fixed</i>       |
| 2905107                         | 6                   | 50        | 20       | 8        | 27         | 650       | 14        | 11       | 5        | Obrotowy<br><i>Rotating</i> |



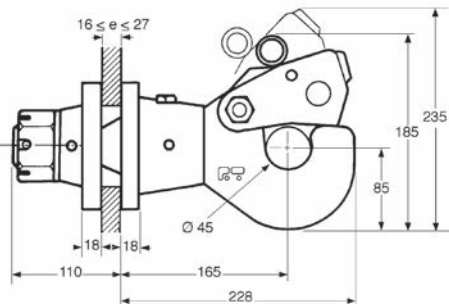


**HAKI STAŁE LUB OBRACANIE - FIXED OR SWIVELLING COUPLINGS**

**Hak 64 DP3.**  
**Coupling 64 DP3.**

| Nr katalog.<br>Reference | kg | D<br>(kN) | (t) maxi | (t) maxi | Dc<br>(kN) | S<br>(kg) | V<br>(kN) | (t) maxi | (t) maxi | Typ<br>Type          |
|--------------------------|----|-----------|----------|----------|------------|-----------|-----------|----------|----------|----------------------|
| 2905205                  | 19 | 120       | 50       | 30       | 100        | 1000      | 45        | 44       | 17       | Stały<br>Fixed       |
| 2905206                  | 19 | 120       | 50       | 30       | 100        | 1000      | 45        | 44       | 17       | Obrotowy<br>Rotating |


**Hak 64 CP1.**  
**Coupling 64 CP1.**

| Nr katalog.<br>Reference | kg | D<br>(kN) | (t) maxi | (t) maxi | Dc<br>(kN) | S<br>(kg) | V<br>(kN) | (t) maxi | (t) maxi | Typ<br>Type          |
|--------------------------|----|-----------|----------|----------|------------|-----------|-----------|----------|----------|----------------------|
| 2905200                  | 15 | 70        | 28,5     | 16       | 50         | 650       | 18        | 40       | 6,5      | Stały<br>Fixed       |
| 2905201                  | 15 | 100       | 40       | 20       | 70         | 900       | 25        | 44       | 9        | Stały<br>Fixed       |
| 2905202                  | 15 | 70        | 28,5     | 16       | 50         | 650       | 18        | 40       | 6,5      | Obrotowy<br>Rotating |
| 2905203                  | 15 | 100       | 40       | 20       | 70         | 900       | 25        | 44       | 9        | Obrotowy<br>Rotating |



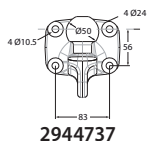
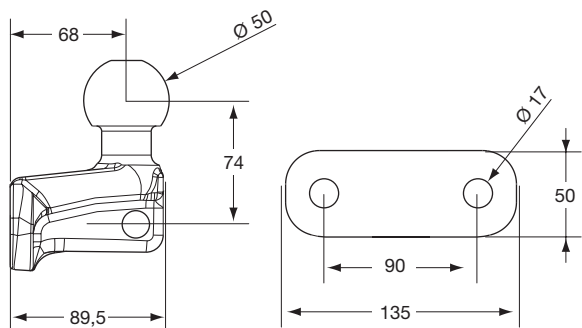
KULE ŚRODKUJĄCE - *TOWING BALLS*



Hak kulowy, 2 otwory  $\varnothing 17$ .  
*Towing ball, 2 holes  $\varnothing 17$ .*

ECE  
R 55

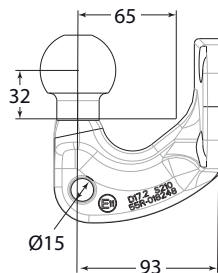
| Nr katalog.<br><i>Reference</i> | Kg | D<br>(kN) | S<br>(kg) | <br>(t) maxi |              |
|---------------------------------|----|-----------|-----------|--------------|--------------|
|                                 |    |           |           | <br>(t) maxi | <br>(t) maxi |
| 2944549                         | 2  | 18        | 210       | 7            | 3,5          |



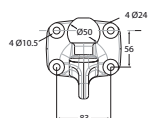
Przegub kulisty A50X.  
*Towing ball A50X.*

ECE  
R 55

| Nr katalog.<br><i>Reference</i> | Kg   | D<br>(kN) | S<br>(kg) | <br>(t) maxi |              |              |
|---------------------------------|------|-----------|-----------|--------------|--------------|--------------|
|                                 |      |           |           | <br>(t) maxi | <br>(t) maxi | <br>(t) maxi |
| 2944737                         | 2,00 | 17,2      | 210       | 3,5          | 7            | 3,5          |



**KULE ŚRODKUJĄCE - TOWING BALLS**

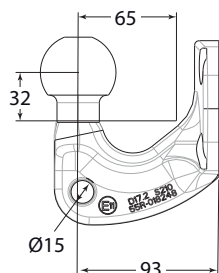


**2944731**

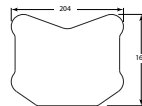
Przegub kulisty A50X.  
*Towing ball A50X.*



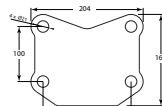
| Nr katalog.<br><i>Reference</i> | Kg   | D<br>(kN) | S<br>(kg) | (t) maxi | (t) maxi | (t) maxi |
|---------------------------------|------|-----------|-----------|----------|----------|----------|
| <b>2944731</b>                  | 2,00 | 31        | 375       | 3,5      | 36       | 3,5      |



UCHWYTY WIDELKOWE PROSTY - *SIMPLE TOWING YOKES*



2905740

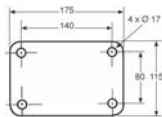
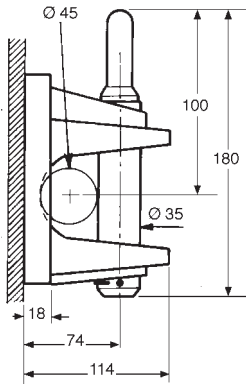


2905741

Hak 99 A, ze sworzniem  $\varnothing 35$ .

*Towing jaw 99 A, pin  $\varnothing 35$ .*

| Nr katalog.<br>Reference | Kg  | D<br>(kN) | (t) maxi | (t) maxi | Dc<br>(kN) | S<br>(kg) | V<br>(kN) | (t) maxi | (t) maxi |
|--------------------------|-----|-----------|----------|----------|------------|-----------|-----------|----------|----------|
| 2905740                  | 7,4 | -         | -        | -        | -          | -         | -         | -        | -        |
| 2905741                  | 7,4 | 110       | 46       | 25       | 90         | 1000      | 35        | 40       | 13       |

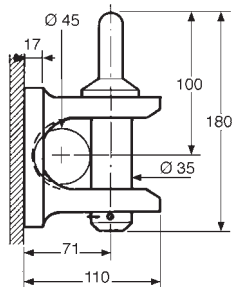


2905730

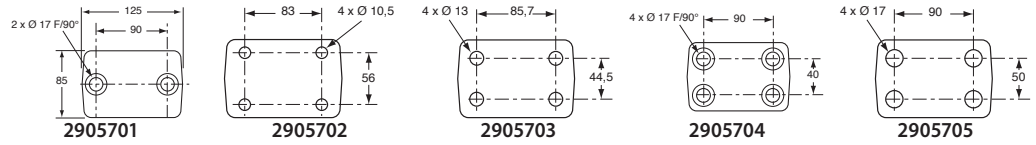
Hak 98 K ze sworzniem  $\varnothing 35$ .

*Towing jaw 98 K, pin  $\varnothing 35$ .*

| Nr katalog.<br>Reference | Kg  | D<br>(kN) | (t) maxi | (t) maxi | Dc<br>(kN) | S<br>(kg) | V<br>(kN) | (t) maxi | (t) maxi |
|--------------------------|-----|-----------|----------|----------|------------|-----------|-----------|----------|----------|
| 2905730                  | 4,7 | 70        | 30       | 16       | 70         | 900       | 18        | 30       | 6,5      |



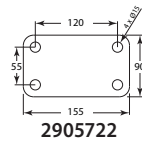
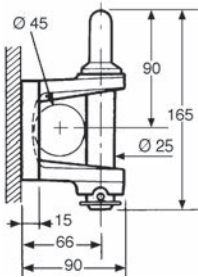
**UCHWYTY WIDELKOWE PROSTY - SIMPLE TOWING YOKES**



Hak 93 A.  
Towing jaw 93 A.

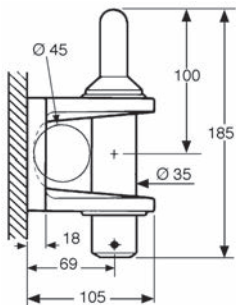


| Nr katalog.<br>Reference | Kg  | D<br>(kN) | S<br>(kg) | <br>(t) maxi (t) maxi |              |
|--------------------------|-----|-----------|-----------|-----------------------|--------------|
|                          |     |           |           | <br>(t) maxi          | <br>(t) maxi |
| 2905701                  | 2,2 | 20        | 120       | 8,5                   | 3,5          |
| 2905702                  | 2,2 | 20        | 120       | 8,5                   | 3,5          |
| 2905703                  | 2,2 | 20        | 120       | 8,5                   | 3,5          |
| 2905704                  | 2,2 | 20        | 120       | 8,5                   | 3,5          |
| 2905705                  | 2,2 | 20        | 120       | 8,5                   | 3,5          |



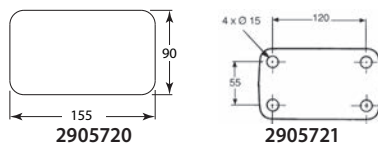
Hak 98 ze sworzniem Ø 35.  
Towing jaw 98 with pin Ø 35.

| Nr katalog.<br>Reference | Kg  | D<br>(kN) | <br>(t) maxi (t) maxi |              | Dc<br>(kN) | S<br>(kg) | V<br>(kN) | <br>(t) maxi (t) maxi |              |
|--------------------------|-----|-----------|-----------------------|--------------|------------|-----------|-----------|-----------------------|--------------|
|                          |     |           | <br>(t) maxi          | <br>(t) maxi |            |           |           | <br>(t) maxi          | <br>(t) maxi |
| 2905722                  | 3,7 | 70        | 28,5                  | 15           | 50         | 650       | 18        | 22                    | 6,5          |



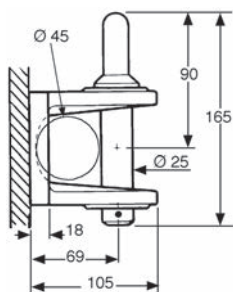
1

UCHWYTY WIDELKOWE PROSTY - *SIMPLE TOWING YOKES*

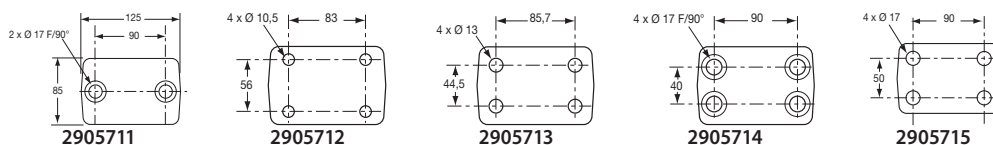


Hak 90 ze sworzniem Ø 25, Do odwiercenia.  
*Towing jaw 90 with pin Ø 25.*

| Nr katalog.<br><i>Reference</i> | Kg  | D<br>(kN) | (t) maxi | (t) maxi | Dc<br>(kN) | S<br>(kg) | V<br>(kN) | (t) maxi | (t) maxi |
|---------------------------------|-----|-----------|----------|----------|------------|-----------|-----------|----------|----------|
| 2905720                         | 3,1 | -         | -        | -        | -          | -         | -         | -        | -        |
| 2905721                         | 3,1 | 50        | 22       | 8        | 50         | 250       | 15        | 22       | 6,5      |



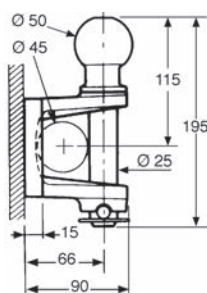
UCHWYTY WIDELKOWE MIESZANY - *MIXED TOWING YOKES*

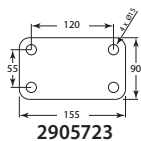


Hak 93 R, ze śrubami (\*).  
*Towing jaw 93 R, delivered with bolt (\*).*







| Nr katalog.<br><i>Reference</i> | Kg  | D<br>(kN) | S<br>(kg) | (t) maxi | (t) maxi | Ø Hardware /<br>klasa<br><i>Bolt Ø / grade</i> | Typ<br><i>Type</i>                  |
|---------------------------------|-----|-----------|-----------|----------|----------|--|-------------------------------------|
| 2905711                         | 2,7 | 12        | 120       | 5        | 1,5      | *  | Sworzeń z główką kulistą            |
|                                 |     | 20        | 120       | 8,5      | 3,5      |  | Sworzeń gładki<br><i>Ball / pin</i> |
| 2905712                         | 2,7 | 12        | 120       | 5        | 1,5      | M10 / 10.9                                     | Sworzeń z główką kulistą            |
|                                 |     | 20        | 120       | 8,5      | 3,5      |  | Sworzeń gładki<br><i>Ball / pin</i> |
| 2905713                         | 2,7 | 12        | 120       | 5        | 1,5      | M12/8.8  | Sworzeń z główką kulistą            |
|                                 |     | 20        | 120       | 8,5      | 3,5      |  | Sworzeń gładki<br><i>Ball / pin</i> |
| 2905714                         | 2,7 | 12        | 120       | 5        | 1,5      | *  | Sworzeń z główką kulistą            |
|                                 |     | 20        | 120       | 8,5      | 3,5      |  | Sworzeń gładki<br><i>Ball / pin</i> |
| 2905715                         | 2,7 | 12        | 120       | 5        | 5        | M16/8.8  | Sworzeń z główką kulistą            |
|                                 |     | 20        | 120       | 8,5      | 3,5      |  | Sworzeń gładki<br><i>Ball / pin</i> |

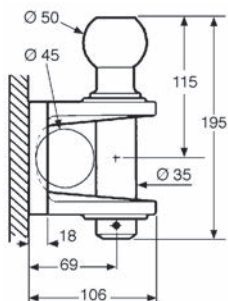


**UCHWYTY WIDELKOWE MIESZANY - MIXED TOWING YOKES**


Hak 98 ze sworzniem  $\varnothing 35$ .  
*Towing jaw 98 with pin  $\varnothing 35$ .*

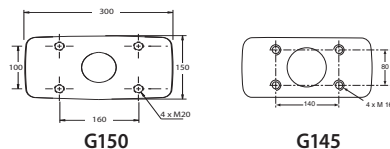


| Nr katalog.<br>Reference | $\Delta$<br>Kg | D<br>(kN) | <br>(t) maxi | <br>(t) maxi | Dc<br>(kN) | S<br>(kg) | <br>(t) maxi | <br>(t) maxi | Typ<br>Type   |
|--------------------------|----------------|-----------|---|---|------------|-----------|---|---|---|
| 2905723                  | 4              | 31        | 34,3-7  | 2,3-3,5   | 21,1       | 250       | 34,3-7  | 2,3-3,5   | Sworzeń z<br>główką kulistą<br>Sworzeń<br>gładki<br><i>Ball / Pin</i> |
|                          |                | 31        | 35,5  | 3,5   | 31         | 375       | 35,5  | 3,5   |   |



1

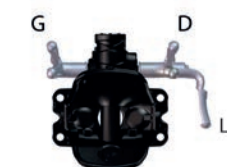
SPRZEGI ZE SWORZENIEM BNA - BNA BOLT COUPLING



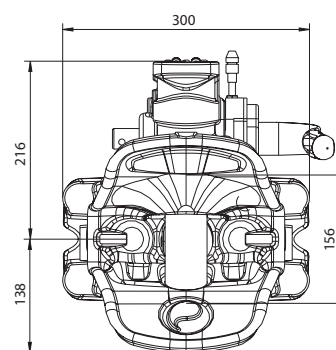
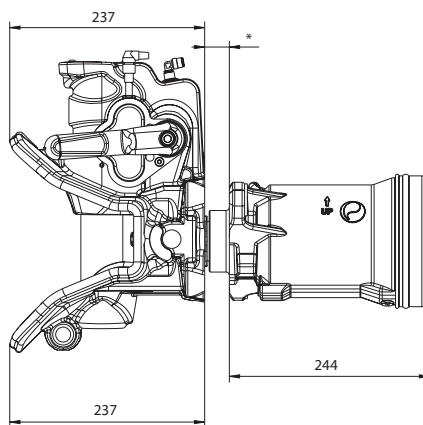
Sprzeg KONEXO.  
KONEXO coupling.



| Nr katalog.<br>Reference | Kg | D<br>(kN) | (t) maxi | (t) maxi | Dc<br>(kN) | S<br>(kg) | V<br>(kN) | (t) maxi | (t) maxi | *<br>(mm) | Typ<br>Type | Amortyzator<br>Shock absorber | Klamki<br>Handles |
|--------------------------|----|-----------|----------|----------|------------|-----------|-----------|----------|----------|-----------|-------------|-------------------------------|-------------------|
| 2907640                  | 35 | 200       | 103      | 50       | 160        | 1000      | 140       | 96       | 40       | 10-36     | G150        |                               | D                 |
| 2907642                  | 46 | 200       | 103      | 50       | 160        | 1000      | 140       | 96       | 40       | 10-36     | G150        | AirConfort                    | D                 |
| 2907640L                 | 35 | 200       | 103      | 50       | 160        | 1000      | 140       | 96       | 40       | 10-36     | G150        |                               | L                 |
| 2907642L                 | 46 | 200       | 103      | 50       | 160        | 1000      | 140       | 96       | 40       | 10-36     | G150        | AirConfort                    | L                 |
| 2907641                  | 35 | 200       | 103      | 50       | 160        | 1000      | 140       | 96       | 40       | 10-36     | G150        |                               | G                 |
| 2907643                  | 46 | 200       | 103      | 50       | 160        | 1000      | 140       | 96       | 40       | 10-36     | G150        | AirConfort                    | G                 |
| 2907650                  | 35 | 120       | 90       | 30       | 95         | 1000      | 36        | 87       | 24       | 8-36      | G145        |                               | D                 |
| 2907652                  | 46 | 120       | 90       | 30       | 95         | 1000      | 36        | 87       | 24       | 8-36      | G145        | AirConfort                    | D                 |
| 2907650L                 | 35 | 120       | 90       | 30       | 95         | 1000      | 36        | 87       | 24       | 8-36      | G145        |                               | L                 |
| 2907652L                 | 46 | 120       | 90       | 30       | 95         | 1000      | 36        | 87       | 24       | 8-36      | G145        | AirConfort                    | L                 |
| 2907651                  | 35 | 120       | 90       | 30       | 95         | 1000      | 36        | 87       | 24       | 8-36      | G145        |                               | G                 |
| 2907653                  | 46 | 120       | 90       | 30       | 95         | 1000      | 36        | 87       | 24       | 8-36      | G145        | AirConfort                    | G                 |

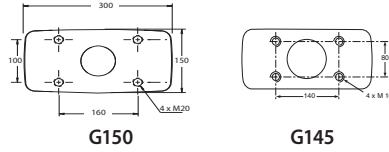


AirConfort.









SPRZĘGI ZE SWORZENIEM BNA - BNA BOLT COUPLING



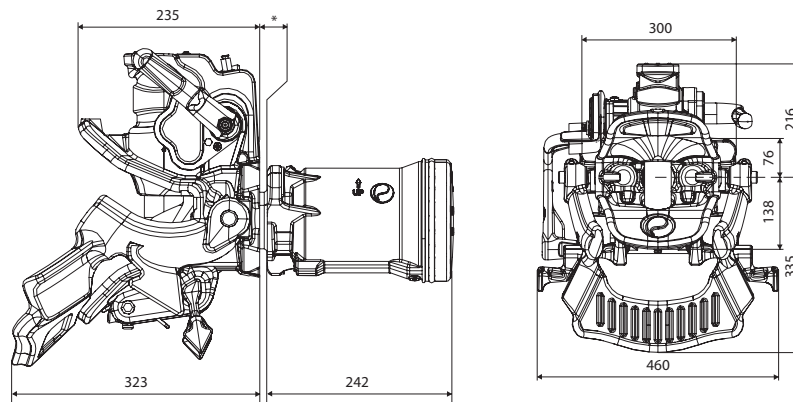
Sprzęg KONEXOP z rampa prowadząca.  
KONEXO coupling with guiding ramp.



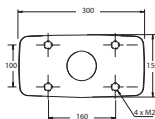
| Nr katalog.<br>Reference | Kg | D<br>(kN) |  (t) maxi |  (t) maxi | Dc<br>(kN) | S<br>(kg) | V<br>(kN) |  (t) maxi |  (t) maxi | *<br>(mm) | Type<br>Type | Amortyzator<br>Shock absorber | Klamki<br>Handles |
|--------------------------|----|-----------|--|--|------------|-----------|-----------|--|--|-----------|--------------|-------------------------------|-------------------|
| 2907644                  | 63 | 200       | 103  | 50   | 160        | 1000      | 140       | 96   | 40   | 10-36     | G150         |                               | D                 |
| 2907646                  | 74 | 200       | 103  | 50   | 160        | 1000      | 140       | 96   | 40   | 10-36     | G150         | AirConfort                    | D                 |
| 2907644L                 | 63 | 200       | 103  | 50   | 160        | 1000      | 140       | 96   | 40   | 10-36     | G150         |                               | L                 |
| 2907646L                 | 74 | 200       | 103  | 50   | 160        | 1000      | 140       | 96   | 40   | 10-36     | G150         | AirConfort                    | L                 |
| 2907654                  | 63 | 120       | 90   | 30   | 95         | 1000      | 36        | 87   | 24   | 8-36      | G145         |                               | D                 |
| 2907656                  | 74 | 120       | 90   | 30   | 95         | 1000      | 36        | 87   | 24   | 8-36      | G145         | AirConfort                    | D                 |
| 2907654L                 | 63 | 120       | 90   | 30   | 95         | 1000      | 36        | 87   | 24   | 8-36      | G145         |                               | L                 |
| 2907656L                 | 74 | 120       | 90   | 30   | 95         | 1000      | 36        | 87   | 24   | 8-36      | G145         | AirConfort                    | L                 |



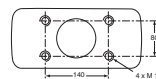
AirConfort.



1 SPRZĘGI ZE SWORZENIEM BNA - BNA BOLT COUPLING



G150

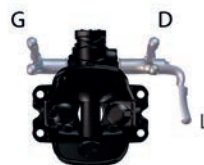
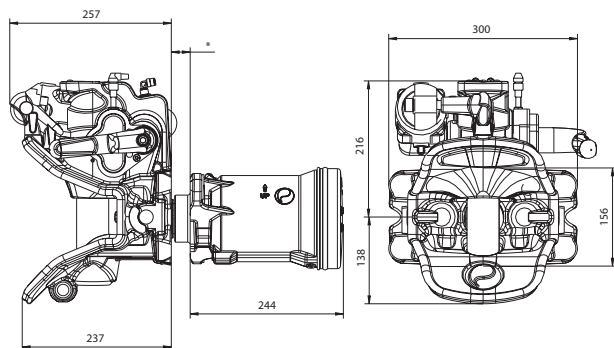


G145

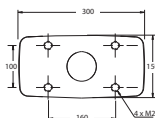
Sprzęg KONEXO pneumatyczny.  
KONEXO coupling with pneumatic command.



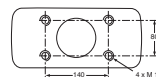
| Nr katalog.<br>Reference | Kg | D<br>(kN) | (t) maxi | (t) maxi | Dc<br>(kN) | S<br>(kg) | V<br>(kN) | (t) maxi | (t) maxi | *<br>(mm) | Typ<br>Type | Amortyzator<br>Shock absorber | Klamki<br>Handles |
|--------------------------|----|-----------|----------|----------|------------|-----------|-----------|----------|----------|-----------|-------------|-------------------------------|-------------------|
| 2907642P                 | 59 | 200       | 103      | 50       | 160        | 1000      | 140       | 96       | 40       | 10-36     | G150        | AirConfort                    | D                 |
| 2907652P                 | 59 | 120       | 90       | 30       | 95         | 1000      | 36        | 87       | 24       | 8-36      | G145        | AirConfort                    | D                 |



AirConfort.



G150

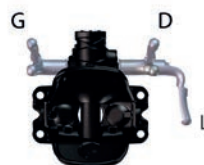
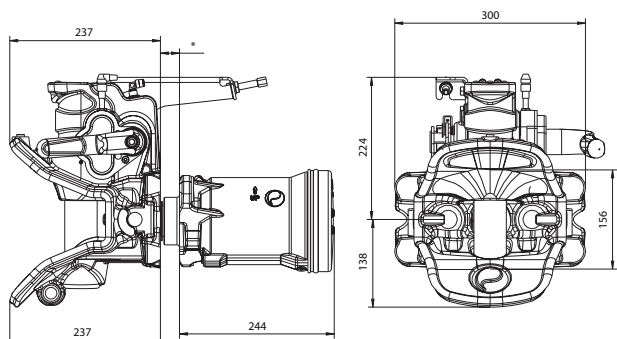


G145

Sprzęg KONEXO ze sterowaniem przewodowym.  
KONEXO coupling with cable command.

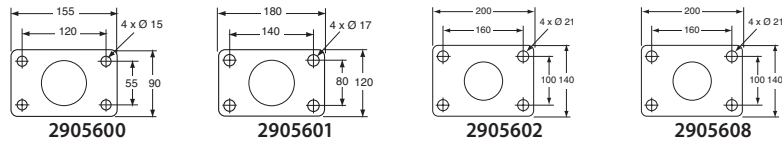


| Nr katalog.<br>Reference | Kg | D<br>(kN) | (t) maxi | (t) maxi | Dc<br>(kN) | S<br>(kg) | V<br>(kN) | (t) maxi | (t) maxi | *<br>(mm) | Typ<br>Type | Amortyzator<br>Shock absorber | Klamki<br>Handles |
|--------------------------|----|-----------|----------|----------|------------|-----------|-----------|----------|----------|-----------|-------------|-------------------------------|-------------------|
| 2907642C                 | 56 | 200       | 103      | 50       | 160        | 1000      | 140       | 96       | 40       | 10-36     | G150        | AirConfort                    | D                 |
| 2907652C                 | 56 | 120       | 90       | 30       | 95         | 1000      | 36        | 87       | 24       | 8-36      | G145        | AirConfort                    | D                 |



AirConfort.

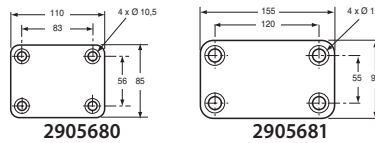
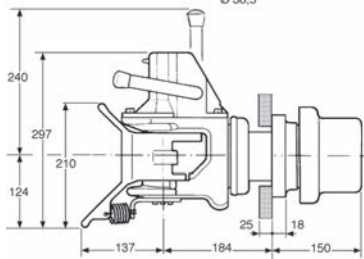
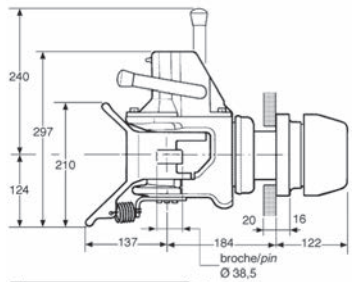
SPRZĘGI ZE SWORZENIEM DIN40 - DIN40 BOLT COUPLING



A500.  
A500 automatic pin, tilting.



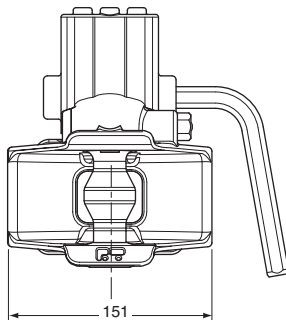
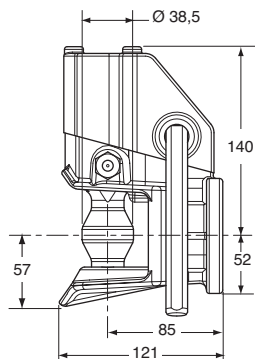
| Nr katalog.<br>Reference | Kg | D<br>(kN) | (t) maxi | (t) maxi | Dc<br>(kN) | S<br>(kg) | V<br>(kN) | (t) maxi | (t) maxi | Typ<br>Type |
|--------------------------|----|-----------|----------|----------|------------|-----------|-----------|----------|----------|-------------|
| 2905600                  | 36 | 70        | 28,5     | 14,5     | 54         | 700       | 18        | 40       | 6,5      | G135        |
| 2905601                  | 41 | 100       | 40       | 19       | 70         | 950       | 23        | 44       | 9        | G145        |
| 2905602                  | 41 | 120       | 44       | 25       | 72         | 950       | 24        | 44       | 9,5      | G150        |
| 2905608                  | 41 | 120       | 44       | 30       | 91         | 1000      | 33        | 44       | 13       | EC13        |



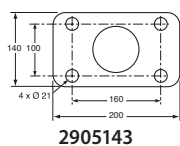
MINITRACT ręczny stały.  
MINITRACT manual fixing.



| Nr katalog.<br>Reference | Kg  | D<br>(kN) | (t) maxi  | (t) maxi | Dc<br>(kN) | S<br>(kg) | V<br>(kN) | (t) maxi  | (t) maxi |
|--------------------------|-----|-----------|-----------|----------|------------|-----------|-----------|-----------|----------|
| 2905680                  | 5,5 | 31        | 35,5      | 3,5      | 31         | 375       | -         | 35,5      | 3,5      |
| 2905681                  | 5,5 | 31        | 35,5-16,7 | 3,5-4,2  | 31         | 375       | 12        | 35,5-16,7 | 3,5-4,2  |



1 SPRZĘGI ZE SWORZENIEM DIN50 - *DIN50 BOLT COUPLING*

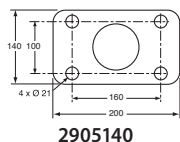
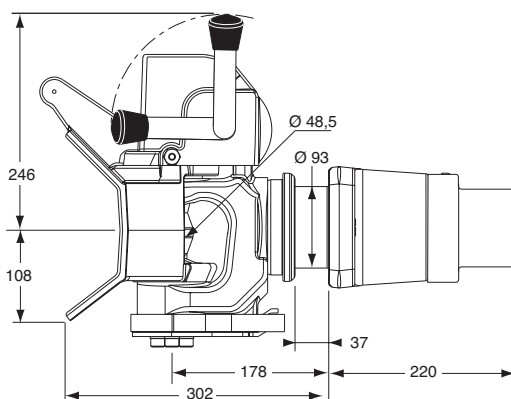
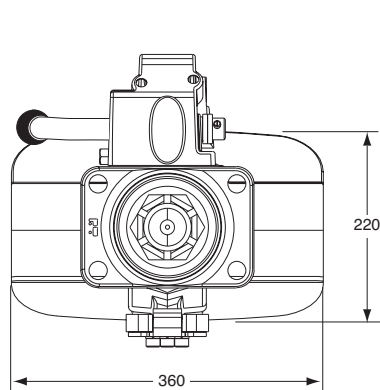


2905143

EUROTRACT, ręczny, obrotowy.  
*EUROTRACT rotating manual.*



| Nr katalog.<br><i>Reference</i> | $\Delta$<br>Kg | D<br>(kN) | (t) maxi | (t) maxi | Dc<br>(kN) | S<br>(kg) | V<br>(kN) | (t) maxi | (t) maxi | Typ<br><i>Type</i> |
|---------------------------------|----------------|-----------|----------|----------|------------|-----------|-----------|----------|----------|--------------------|
| 2905143                         | 53             | 190       | 76       | 38       | 135        | 1000      | 72,5      | 52       | 26       | C50-X              |

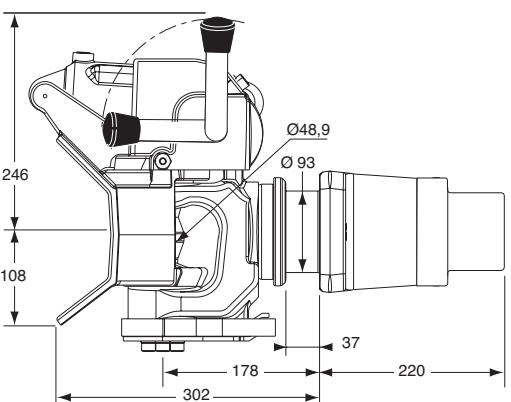
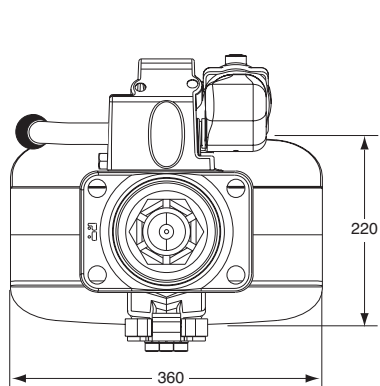


2905140

EUROTRACT sterowany obrotowy.  
*Rotating servo EUROTRACT.*



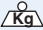
| Nr katalog.<br><i>Reference</i> | $\Delta$<br>Kg | D<br>(kN) | (t) maxi | (t) maxi | Dc<br>(kN) | S<br>(kg) | V<br>(kN) | (t) maxi | (t) maxi | Typ<br><i>Type</i> |
|---------------------------------|----------------|-----------|----------|----------|------------|-----------|-----------|----------|----------|--------------------|
| 2905140                         | 56,5           | 190       | 76       | 38       | 135        | 1000      | 72,5      | 52       | 26       | C50-X              |



AKCESORIA DO SPRZĘGÓW ZE SWORZENIEM - *ACCESSORIES FOR BOLT COUPLING*




Zestaw wykrywacza EUROTRACT.  
*EUROTRACT Cabin display kit (sensors + cable included).*

| Nr katalog.<br><i>Reference</i> |  |
|---------------------------------|---|
| 2944552                         | -   |



Zestaw wykrywacza KONEXO.  
*KONEXO Cabin display kit (sensors + cable included).*

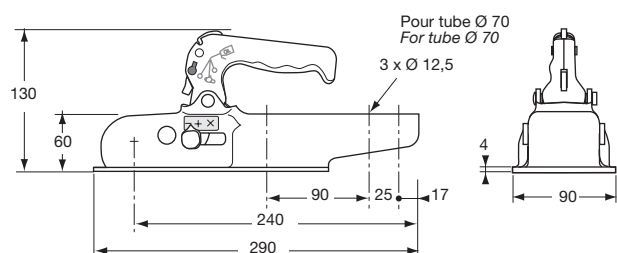
| Nr katalog.<br><i>Reference</i> |  |
|---------------------------------|--|
| 2944599                         | -  |



Zaczep, cynkowany, dostarczany bez haka kulowego 50 mm.  
*Coupling head, zinc plated, without towing ball 50 mm.*



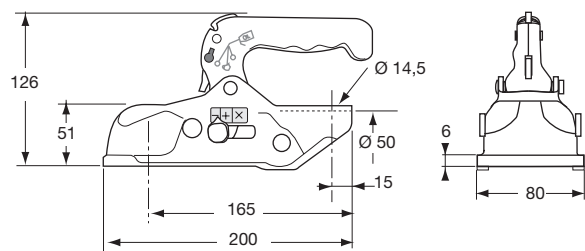
| Nr katalog.<br>Reference | Kg   | D<br>(kN) | S<br>(kg) | P.T.R<br>T.T.W |
|--------------------------|------|-----------|-----------|----------------|
| 2944703                  | 1,68 | 14        | 100       | 1.6t           |



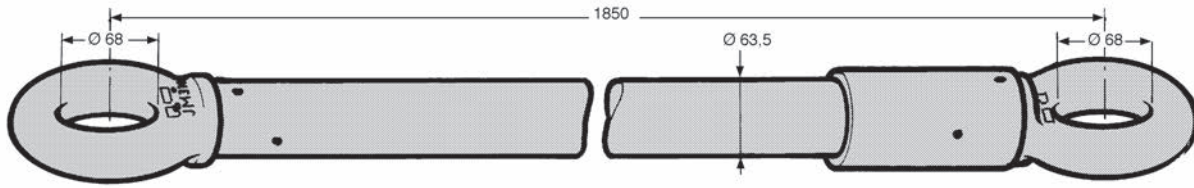
Zaczep, cynkowany, dostarczany bez haka kulowego 50 mm.  
*Coupling head, zinc plated, without towing ball 50 mm.*



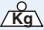
| Nr katalog.<br>Reference | Kg    | D<br>(kN) | S<br>(kg) | P.T.R<br>T.T.W |
|--------------------------|-------|-----------|-----------|----------------|
| 2944704                  | 2,215 | 26        | 150       | 3t             |

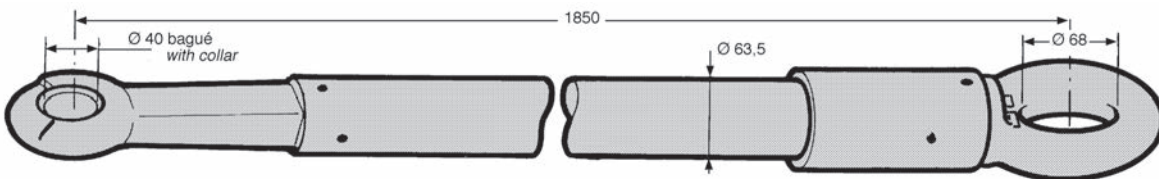


**DYSZLE HOLOWNICZE - TOWING BARS**




Dyszel holowniczy z uchem obrotowym BNA/BNA, P.T.R. = 25 t.  
*Towing bar with rotating ring BNA/BNA, P.T.R. = 25 t.*

| Nr katalog.<br>Reference |  |
|--------------------------|---|
| 2906100                  | 27  |

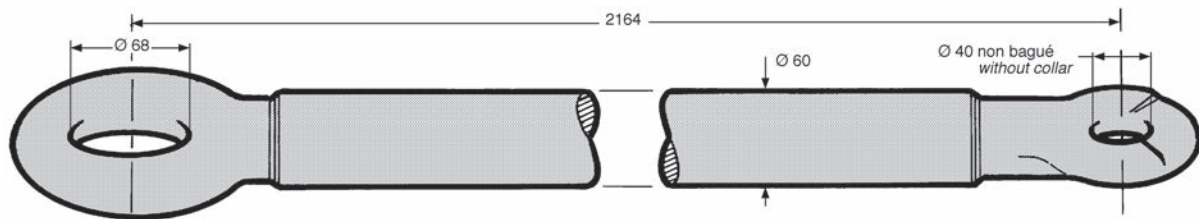


Dyszel holowniczy z uchem obrotowym DIN/BNA, P.T.R. = 25 t.  
*Towing bar with rotating ring DIN/BNA, P.T.R. = 25 t.*


| Nr katalog.<br>Reference |  |
|--------------------------|---|
| 2906101                  | 28  |

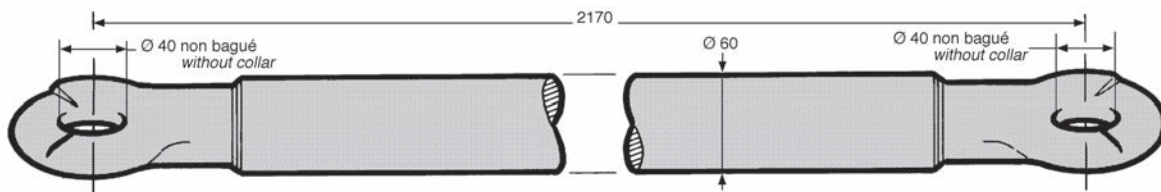


DYSZLE HOLOWNICZE - TOWING BARS




Dyszel manewrowy ze stałymi uchami BNA/DIN. Nie mogą być używane na drogach jako dyszle holownicze.  
*Towing bar with BNA/DIN fixed rings. Can't be used for towing vehicle on road.*

| Nr katalog.<br>Reference |  |
|--------------------------|---|
| 2906110                  | 21  |

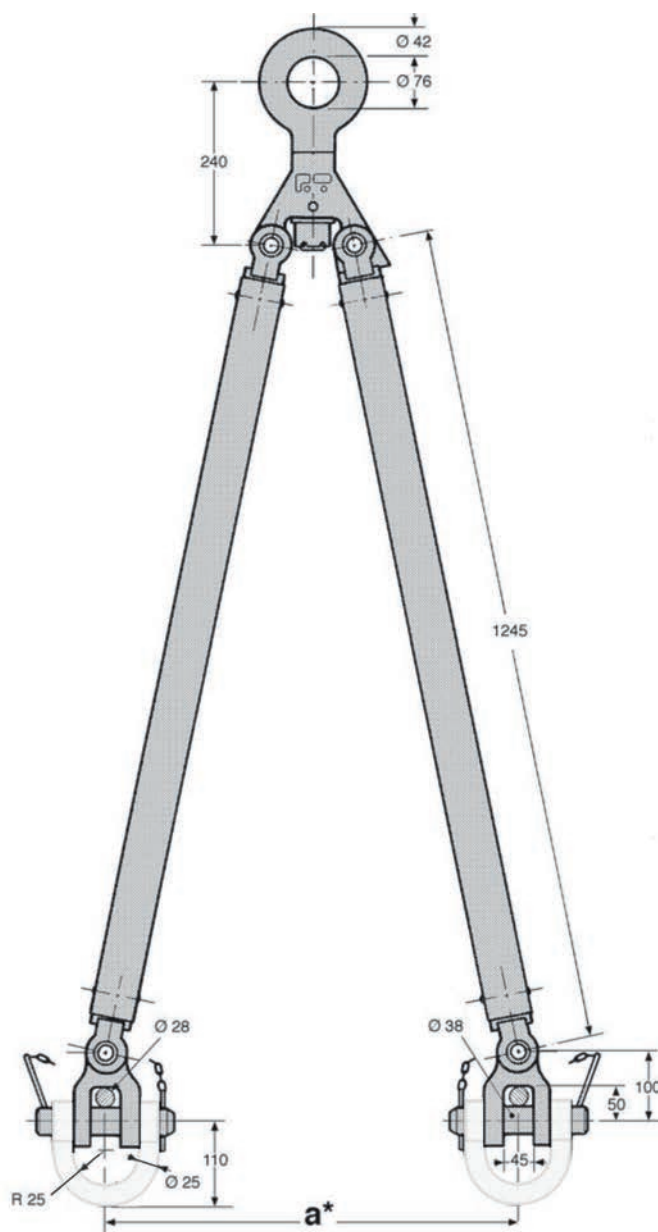


Dyszel manewrowy ze stałymi uchami DIN/DIN. Nie mogą być używane na drogach jako dyszle holownicze.  
*Towing bar with DIN/DIN fixed rings. Can't be used for towing vehicle on road.*


| Nr katalog.<br>Reference |  |
|--------------------------|---|
| 2906111                  | 19  |



DYSZLE HOLOWNICZE - TOWING BARS



Dyszle trójkątne 640. Wymiar (a\*) podać przy zamawianiu (Maxi : 1000 mm).  
Towing triangle 640. Specify dimension (a\*) on order (Maxi : 1000 mm).

| Nr katalog.<br>Reference |  Kg |
|--------------------------|--|
| 2906120                  | 51   |

1

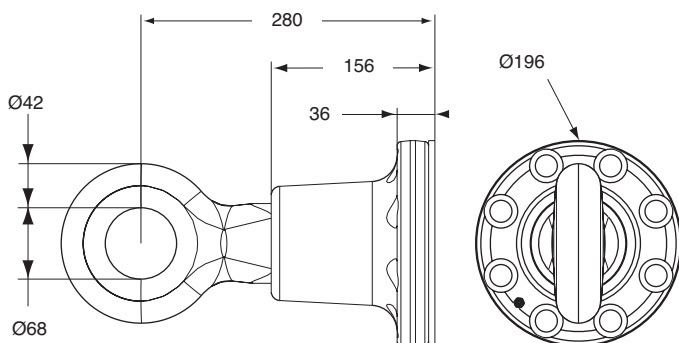
UCHO DYSZLA BNA - BNA COUPLING HEADS



Obrotowe ucho dyszla BNA z kołnierzem + 8 śrub CHC M 20 x 65 z podkładkami.  
*Rotating BNA drawbar eye with plate supplied with 8 x CHC M20 x 65 screws and washers.*

ECE  
R 55

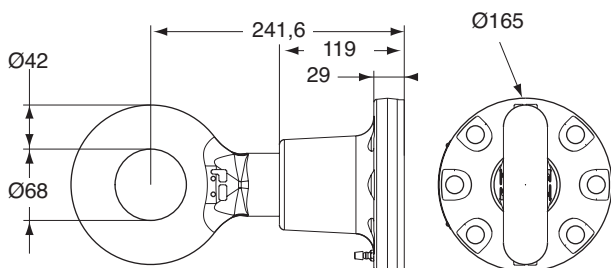
| Nr katalog.<br>Reference | Kg | D<br>(kN) | (t) maxi | (t) maxi | Dc<br>(kN) | S<br>(kg) | V<br>(kN) | (t) maxi | (t) maxi |
|--------------------------|----|-----------|----------|----------|------------|-----------|-----------|----------|----------|
| 2905917                  | 25 | 180       | 72       | 36       | 125        | 1000      | 90        | 51       | 26       |



Obrotowe ucho dyszla BNA z kołnierzem + 6 śrub CHC M16 x 55 z podkładkami.  
*Rotating BNA drawbar eye with plate supplied with 6 x CHC M16 x 55 screws and washers.*

ECE  
R 55

| Nr katalog.<br>Reference | Kg | D<br>(kN) | (t) maxi | (t) maxi | Dc<br>(kN) | S<br>(kg) | V<br>(kN) | (t) maxi | (t) maxi |
|--------------------------|----|-----------|----------|----------|------------|-----------|-----------|----------|----------|
| 2905916                  | 13 | 110       | 44       | 18       | 90         | 1000      | 45        | 40       | 14       |



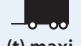

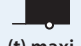



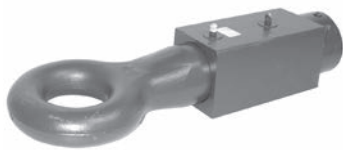
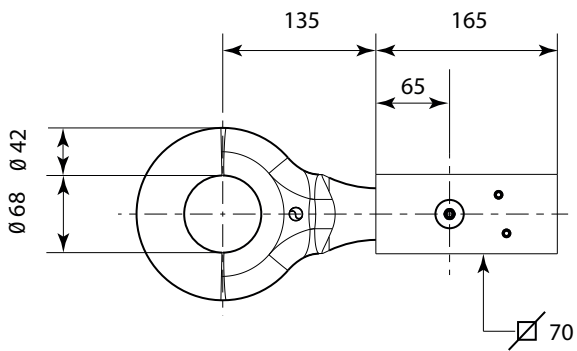
UCHO DYSZLA BNA - BNA COUPLING HEADS



Ucho dyszla BNA.  
Drawbar head BNA.

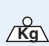





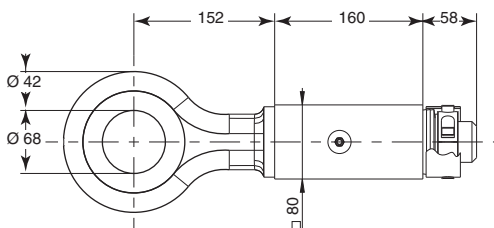
| Nr katalog.<br>Reference |  Kg | D<br>(kN) |  (t) maxi |  (t) maxi | Dc<br>(kN) | S<br>(kg) | V<br>(kN) |  (t) maxi |  (t) maxi |  |
|--------------------------|--|-----------|--|--|------------|-----------|-----------|--|--|---|
| 2905937                  | 10,3   | 80        | 33   | 16   | 36         | 400       | 7         | 40   | 7  | 70  |



Ucho dyszla BNA.  
Drawbar head BNA.



| Nr katalog.<br>Reference |  Kg | D<br>(kN) |  (t) maxi |  (t) maxi |  |
|--------------------------|--|-----------|--|--|--|
| 2905918                  | 15   | 120       | 50   | 30   | 80   |









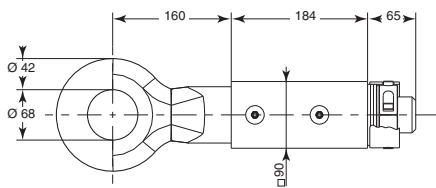
UCHO DYSZLA BNA - *BNA COUPLING HEADS*



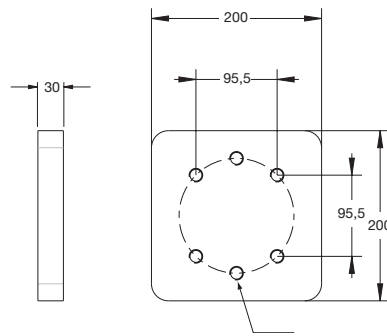
Ucho dyszla BNA.  
*Drawbar head BNA.*




| Nr katalog.<br><i>Reference</i> |  Kg | D<br>(kN) |  (t) maxi |  (t) maxi | Dc<br>(kN) | S<br>(kg) | V<br>(kN) |  (t) maxi |  (t) maxi |  |
|---------------------------------|--|-----------|--|---|------------|-----------|-----------|--|--|---|
| 2905922                         | 20   | 200       | 81   | 42  | 91         | 1000      | 34        | 44   | 13   | 90  |

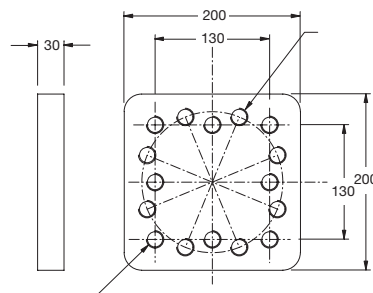


**PŁYTA WSPORCZA - SUPPORT PLATE**




Płyta wsporcza do ucha dyszla BNA 2905916.  
*Plate support for drawbar head BNA 2905916.*

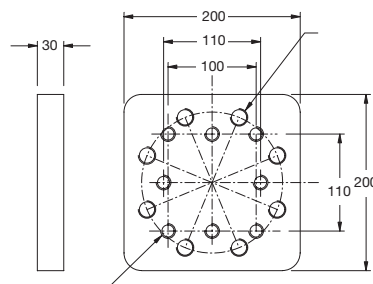
| Nr katalog.<br>Reference |  |
|--------------------------|---|
| 2905931                  | 7   |



Płyta wsporcza kombinowana do przyspawania dla ucha 2905917.


*Welded mixed support plate for drawbar head 2905917.*

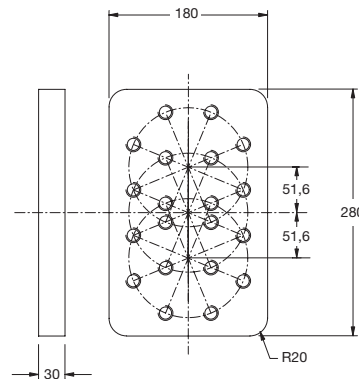
| Nr katalog.<br>Reference |  |
|--------------------------|---|
| 2905924                  | 8   |



Płyta wsporcza kombinowana do przyspawania dla 2905917, 2905850 i 2905862.

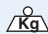
*Welded mixed support plate for 2905917, 2905850 and 2905862.*

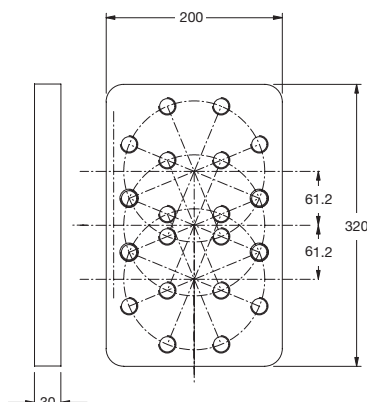
| Nr katalog.<br>Reference |  |
|--------------------------|---|
| 2905926                  | 8,5   |



Trójpozycyjna płyta wsporcza do ucha dyszla BNA 2905916.


*Three position plate support for drawbar head BNA 2905916.*

| Nr katalog.<br>Reference |  |
|--------------------------|---|
| 2905923                  | 10,4  |



Trójpozycyjna płyta wsporcza do ucha dyszla BNA 2905917.

*Three positions plate support for drawbar head BNA 2905917.*


| Nr katalog.<br>Reference |  |
|--------------------------|---|
| 2905928                  | 12,5  |

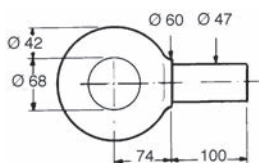
1

UCHA BNA - BNA DRAWBAR EYES




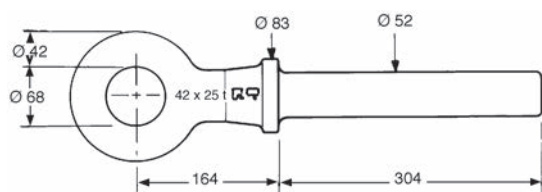
Ucho surowe BNA krótkie, do przyspawania.  
*Short drawbar eye BNA, can be welded.*

| Nr katalog.<br>Reference |  |
|--------------------------|---|
| 2905803                  | 5,1   |



Ucho surowe BNA.  
*Drawbar eye BNA.*

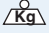
| Nr katalog.<br>Reference |  |
|--------------------------|---|
| 2905804                  | 8,4   |

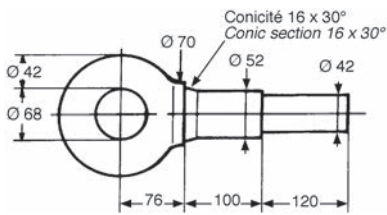


**UCHA BNA - BNA DRAWBAR EYES**



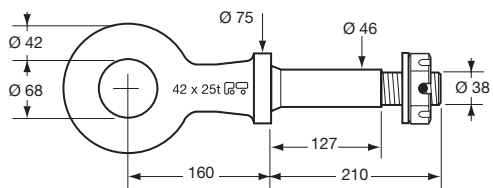
Ucho surowe BNA 310 A.  
*Drawbar eye BNA 310 A.*

| Nr katalog.<br>Reference |  Kg |
|--------------------------|--|
| 2905800                  | 8,5  |



Ucho obrobione BNA.  
*Machined BNA drawbar eye.*

| Nr katalog.<br>Reference |  Kg | D<br>(kN) |  (t) maxi |  (t) maxi | Dc<br>(kN) | S<br>(kg) | V<br>(kN) |  (t) maxi |  (t) maxi |
|--------------------------|--|-----------|--|--|------------|-----------|-----------|--|--|
| 2905802                  | 8,7  | 110       | 44   | 25   | 25         | 650       | 10        | 23   | 3  |



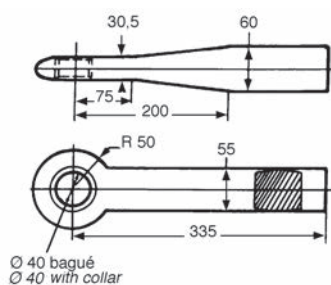
UCHA DIN40 - *DIN40* DRAWBAR EYES



Ucho surowe DIN 3 (74054-40A), do przyspawania.  
*Drawbar eye DIN 3 (74054-40A, 60 x 55) with collar, to weld.*



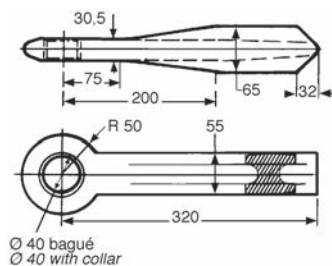
| Nr katalog.<br><i>Reference</i> | Kg  | D<br>(kN) | (t) maxi | (t) maxi | Dc<br>(kN) | S<br>(kg) | V<br>(kN) | (t) maxi | (t) maxi |
|---------------------------------|-----|-----------|----------|----------|------------|-----------|-----------|----------|----------|
| 2905824                         | 6,9 | 95        | 44       | 30       | 58         | 700       | 17        | 40       | 6,5      |



Ucho surowe DIN 6 (74054-40A), do przyspawania.  
*Drawbar eye DIN 6 (74054-40A, 65 x 55) with collar, to weld.*



| Nr katalog.<br><i>Reference</i> | Kg  | D<br>(kN) | (t) maxi | (t) maxi | Dc<br>(kN) | S<br>(kg) | V<br>(kN) | (t) maxi | (t) maxi |
|---------------------------------|-----|-----------|----------|----------|------------|-----------|-----------|----------|----------|
| 2905825                         | 5,4 | 125       | 44       | 30       | 66         | 900       | 20        | 40       | 8        |

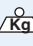




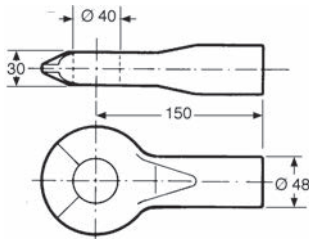


**UCHA DIN40 - DIN40 DRAWBAR EYES**



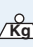




Ucho DIN krótkie, nie tulejowane, do przyspawania.  
*Short DIN drawbar eye, without collar, to weld.*

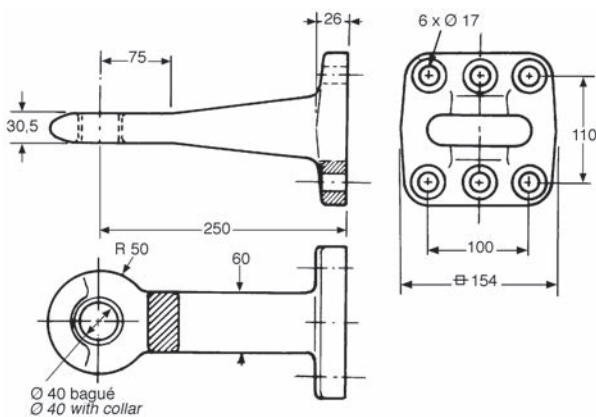
| Nr katalog.<br>Reference |  Kg | D<br>(kN) |  (t) maxi |  (t) maxi |
|--------------------------|--|-----------|--|--|
| 2905828                  | 2,5  | 80        | 44   | 16   |



Ucho z płytką kształtu D (norma DIN 74054-40D) tulejowane.  
*D-shape drawbar eye (DIN 74054-40D) with collar.*



| Nr katalog.<br>Reference |  Kg | D<br>(kN) |  (t) maxi |  (t) maxi | Dc<br>(kN) | S<br>(kg) | V<br>(kN) |  (t) maxi |  (t) maxi |
|--------------------------|--|-----------|--|--|------------|-----------|-----------|--|--|
| 2905850                  | 10   | 125       | 44   | 30   | 100        | 1000      | 36        | 44   | 13,5   |



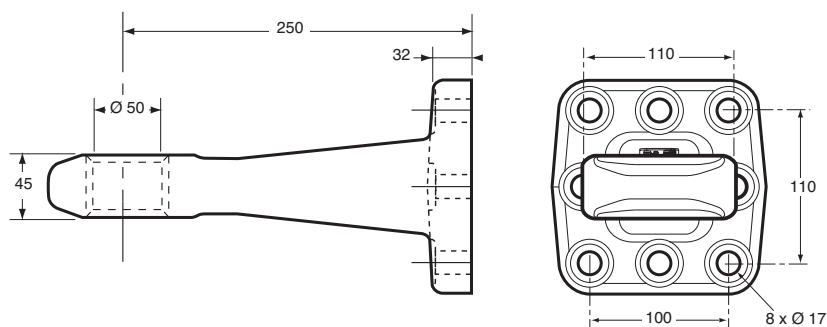
UCHA DIN50 - *DIN50* DRAWBAR EYES



Ucho D50 dyszla z kołnierzem (wg DIN 50) dostarczany z 8. śrubami 6kt M16 x 55 i podkładkami 8 x W16.  
*DIN 50 drawbar eye with flange, supplied with 8 CHC M16 x 55 screws and 8 x W16 washers.*

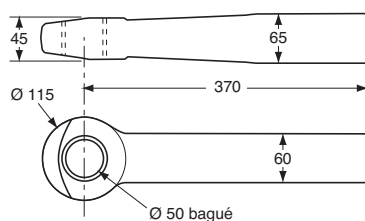


| Nr katalog.<br>Reference | $\Delta$ Kg | D<br>(kN) | (t) maxi | (t) maxi | Dc<br>(kN) | S<br>(kg) | V<br>(kN) | (t) maxi | (t) maxi | Typ<br>Type |
|--------------------------|-------------|-----------|----------|----------|------------|-----------|-----------|----------|----------|-------------|
| 2905862                  | 11          | 190       | 76       | 38       | 120        | 1000      | 50        | 52       | 19       | DIN-50      |



Ucho DIN 50 spawane do dyszla.  
*Weld-in type for towing bar.*

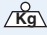
| Nr katalog.<br>Reference | $\Delta$ Kg | D<br>(kN) | (t) maxi | (t) maxi | Dc<br>(kN) | S<br>(kg) | V<br>(kN) | (t) maxi | (t) maxi | Typ<br>Type |
|--------------------------|-------------|-----------|----------|----------|------------|-----------|-----------|----------|----------|-------------|
| 2905865                  | 10,7        | 130       | 44       | 30       | 90         | 1000      | 30        | 44       | 12       | D50-A       |

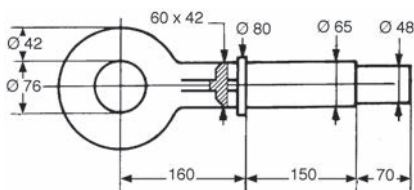


UCHA RÓŻNORODNY - *VARIOUS DRAWBAR EYES*

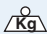


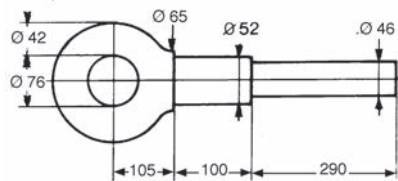
Ucho DEFA 416.  
*DEFA 416 drawbar eye.*

| Nr katalog.<br>Reference |  |
|--------------------------|---|
| 2905812                  | 11,1  |



Ucho DEFA 411.  
*DEFA 411 drawbar eye.*

| Nr katalog.<br>Reference |  |
|--------------------------|---|
| 2905811                  | 10,1  |

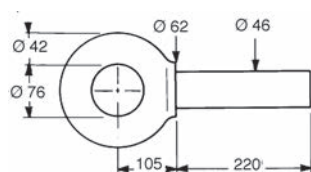


UCHA RÓŻNORODNY - *VARIOUS DRAWBAR EYES*



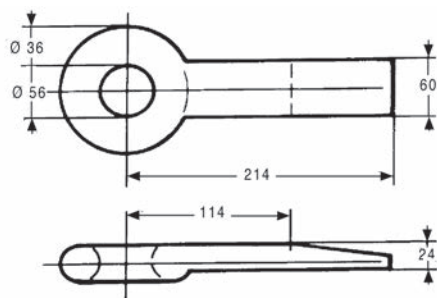
Ucho DEFA 400.  
*DEFA 400 drawbar eye.*

| Nr katalog.<br><i>Reference</i> | Kg  |
|---------------------------------|-----|
| 2905810                         | 7,7 |



Ucho 202 surowe do przyspawania.  
*Drawbar eye 202, weld-on.*


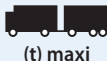
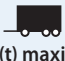
| Nr katalog.<br><i>Reference</i> | Kg | D<br>(kN) | (t) maxi | (t) maxi | Dc<br>(kN) | S<br>(kg) | V<br>(kN) | (t) maxi | (t) maxi |
|---------------------------------|----|-----------|----------|----------|------------|-----------|-----------|----------|----------|
| 2905821                         | 4  | 70        | 38,5     | 30       | 35         | 400       | 6         | 15       | 5        |

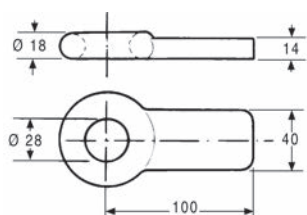


**UCHA RÓŻNORODNY - VARIOUS DRAWBAR EYES**




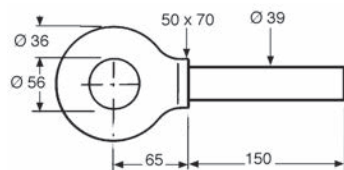
Ucho TR2 surowe do przyspawania.  
*Drawbar eye TR2, to weld.*

| Nr katalog.<br>Reference |  | D<br>(kN) |  (t) maxi |  (t) maxi |
|--------------------------|---|-----------|--|--|
| 2905823                  | 0,59  | 50        | 22,5   | 14   |



Ucho 200 surowe nie do spawania.  
*Drawbar eye 200, not for welding.*

| Nr katalog.<br>Reference |  |
|--------------------------|---|
| 2905820                  | 4   |

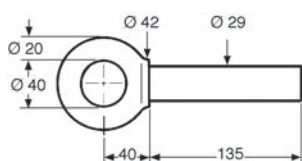


UCHA RÓŻNORODNY - *VARIOUS DRAWBAR EYES*



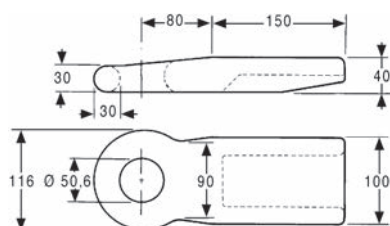
Ucho 100 surowe nie do spawania.  
*Drawbar eye 100, non weldable.*

| Nr katalog.<br><i>Reference</i> | Kg  |
|---------------------------------|-----|
| 2905822                         | 1,2 |

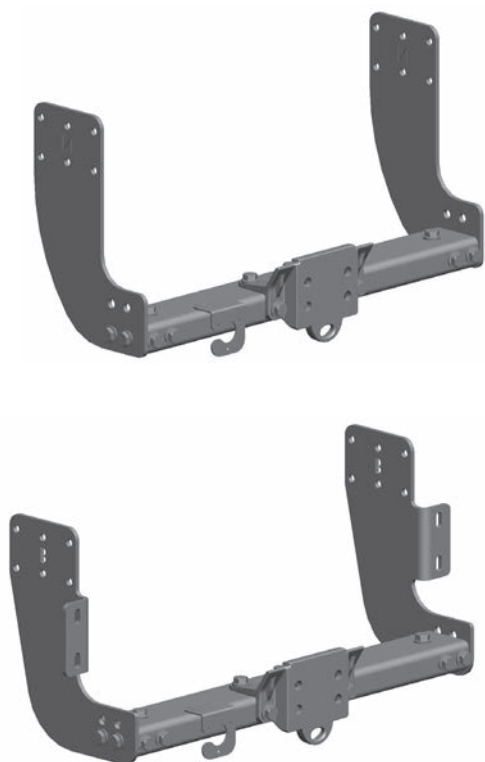


Ucho do użytku rolniczego, surowe do przyspawania, normy DIN 9678, NF U 14022, ISO 5692.  
*Weld-on agricultural drawbar eye, norms DIN 9678, NF U 14022, ISO 5692.*

| Nr katalog.<br><i>Reference</i> | Kg  | D<br>(kN) | (t) maxi | (t) maxi | Dc<br>(kN) | S<br>(kg) | V<br>(kN) | (t) maxi | (t) maxi |
|---------------------------------|-----|-----------|----------|----------|------------|-----------|-----------|----------|----------|
| 2905834                         | 5,8 | 70        | 38,5     | 30       | 53         | 3000      | 45        | 38,5     | 22       |







Belka do sprzęgów jest prostym rozwiązaniem, z homologacją do mocowania haka sprzęgu do furgonu lub do podwozia kabiny

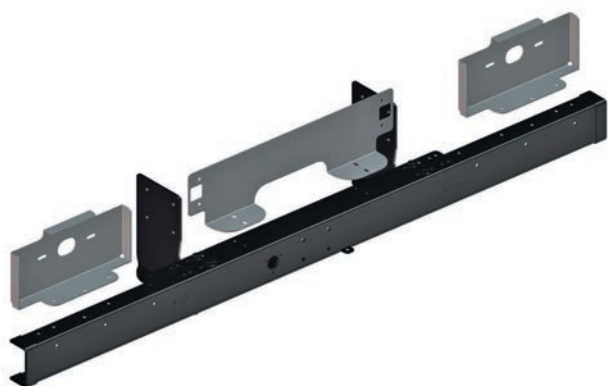


- Wywiercony otwór do doskonałego przystosowania do podwozia pojazdu
- Można wiercić otwory na haki 83x56, 90x40, 2xØ17
- Zabezpieczenie metodą kataforezy.
- Możliwość umocowania zderzaka oryginalny pojazdu (w zależności od modelu)
- Zestaw śrub dostarczony

*The tow bar is a simple and homologated solution to fix a coupling on a van or a chassis cab*

- *Pre-drilled for a perfect chassis adaption*
- *Accept several coupling drilling 83 x 56, 90 x 40, 2 x Ø 17*
- *KTL finish*
- *Possibility to fix the original truck bumper (depending of the model)*
- *Screw kit included*

## BELKI + ZDERZAK - TOW BARS + BUMPER



### PACK ACIER

- Wywiercony otwór do doskonałego przystosowania do podwozia pojazdu
- Zderzak stalowy z zabezpieczeniem z plastiku.
- Zabezpieczenie metodą kataforezy.
- Zestaw śrub dostarczony
- Opcja: Światła i spornik do montażu tablicy rejestracyjnej (sekcja AKCESORIA DO SPRZĘGÓW)





### PACK ALU

- *Pre-drilled for a perfect chassis adaption*
- *Steel bumper with plastic protection caps*
- *KTL finish*
- *Screw kit included*
- *Option : light and plate supports (section ACCESSORIES FOR COUPLINGS)*



### PACK ALU

- Wywiercony otwór do doskonałego przystosowania do podwozia pojazdu
- Zderzak z możliwością zamontowania świateł z aluminium anodyzowanego z gumowym zabezpieczeniem.
- Zabezpieczenie metodą kataforezy.
- Zestaw śrub dostarczony





### PACK ALU

- *Pre-drilled for a perfect chassis adaption*
- *Anodized aluminum bumper with rubber protection caps*
- *KTL finish*
- *Screw kit included*



**BELKI + ZDERZAK + STOPIEŃ - TOW BARS + BUMPER + RUNNING BOARD**



**PACK ALU (L) : SZEROKI STOPIEŃ**

- Wywiercony otwór do doskonałego przystosowania do podwozia pojazdu
- Zderzak z możliwością zamontowania świateł z aluminium anodyzowanego z gumowym zabezpieczeniem.
- Szeroki stopień z aluminium anodyzowanego z gumowym zabezpieczeniem.
- Zabezpieczenie metodą kataforezy.
- Zestaw śrub dostarczony

**ECE R 55**

**ECE R 58**

**PACK ALU (L) : LARGE RUNNINGBOARD**

- Pre-drilled for a perfect chassis adaption
- Anodized aluminum bumper with rubber protection caps
- Large aluminum running board with rubber protection caps
- KTL finish
- Screw kit included



**PACK ALU (S) : POJEDYNCZY STOPIEŃ**

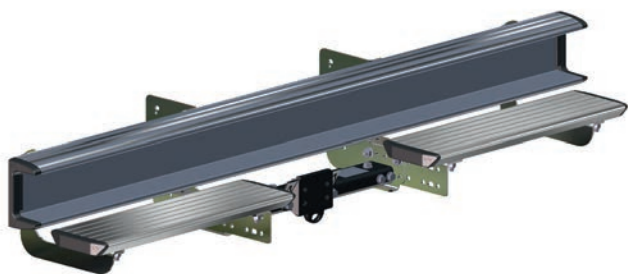
- Wywiercony otwór do doskonałego przystosowania do podwozia pojazdu
- Zderzak z możliwością zamontowania świateł z aluminium anodyzowanego z gumowym zabezpieczeniem.
- Podwójny stopień z aluminium anodyzowanego z gumowym zabezpieczeniem.
- Zabezpieczenie metodą kataforezy.
- Zestaw śrub dostarczony

**ECE R 55**

**ECE R 58**

**PACK ALU (S) : SINGLE RUNNINGBOARD**

- Pre-drilled for a perfect chassis adaption
- Anodized aluminum bumper with rubber protection caps
- Double aluminum running board with rubber protection caps
- KTL finish
- Screw kit included



**PACK ALU (D) : PODWOJNY STOPIEŃ**


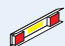
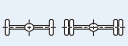





- Wywiercony otwór do doskonałego przystosowania do podwozia pojazdu
- Zderzak z możliwością zamontowania świateł z aluminium anodyzowanego z gumowym zabezpieczeniem.
- Pojedynczy stopień z aluminium anodyzowanego z gumowym zabezpieczeniem. Do mocowania z lewej lub prawej strony.
- Zabezpieczenie metodą kataforezy.
- Zestaw śrub dostarczony

**ECE R 55**

**ECE R 58**

**PACK ALU (D) : DOUBLE RUNNINGBOARD**

- Pre-drilled for a perfect chassis adaption
- Anodized aluminum bumper with rubber protection caps
- Single aluminum running board with rubber protection caps. Can be mounted on right or left side.
- KTL finish
- Screw kit included


| Marka<br>Brand | Model<br>Model | Typ<br>Type     |  |  |  |  |  |  | Lg      |  | Nr katalog.<br>Reference |  |
|----------------|----------------|-----------------|---|---|---|---|--|---|---------|---|--------------------------|---|
| FUSO           | Canter         | 3C - 6C - 7C    | 2006>2009   | ✓   | ✓   | ✓   |  |   | 750     | 90x40   | 2905631 P5 ETA           | 23  |
| FUSO           | Canter         | 3C - 6C - 7C    | 2006>2009   | ✓   | ✓   | ✓   |  |   | 750     | 83x56   | 2905631 PO ETA           | 23  |
| FUSO           | Canter         | 3C - 6C - 7C    | 2006>2009   | ✓   | ✓   | ✓   |  |   | 750     | 2xØ17   | 2905631 P4 ETA           | 23  |
| FUSO           | Canter         | 3C              | 2010>   |   | ✓   | ✓   |  |   | 750     | 83x56   | 2905610 3C/3S            | 25  |
| FUSO           | Canter         | 6C18            | 2010>   |   | ✓   | ✓   |  |   | 750     | 83x56   | 2903610 1Y               | 27  |
| FUSO           | Canter         | 7C              | 2010>   |   | ✓   | ✓   |  |   | 750/850 | 83x56   | 2903610 1D               | 27  |
| FUSO           | Canter         | 3S - 6S         | 2006>2009   | ✓   | ✓   | ✓   |  |   | 700     | 90x40   | 2905630 P5 ETA           | 23  |
| FUSO           | Canter         | 3S - 6S         | 2006>2009   | ✓   | ✓   | ✓   |  |   | 700     | 83x56   | 2905630 PO ETA           | 23  |
| FUSO           | Canter         | 3S - 6S         | 2006>2009   | ✓   | ✓   | ✓   |  |   | 700     | 2xØ17   | 2905630 P4 ETA           | 23  |
| FUSO           | Canter         | 3S              | 2010>   |   | ✓   | ✓   |  |   | 700     | 83x56   | 2905610 3C/3S            | 25  |
| FUSO           | Canter         | 6S              | 2010>   |   | ✓   | ✓   |  |   | 700     | 83x56   | 2903610 1D               | 27  |
| FORD           | Transit        |                 | 2007>2013   | ✓   | ✓   | ✓   | ✓  |   | 810     | 90x40   | 2905692 P5 G             | 22  |
| FORD           | Transit        |                 | 2007>2013   | ✓   | ✓   | ✓   | ✓  |   | 810     | 83x56   | 2905692 PO G             | 22  |
| FORD           | Transit        |                 | 2007>2013   | ✓   | ✓   | ✓   | ✓  |   | 810     | 2xØ17   | 2905692 P4 G             | 22  |
| FORD           | Transit        |                 | 2001>2006   | ✓   | ✓   | ✓   | ✓  |   | 810     | 90x40   | 2905692 P5 X             | 23  |
| FORD           | Transit        |                 | 2001>2006   | ✓   | ✓   | ✓   | ✓  |   | 810     | 83x56   | 2905692 PO X             | 23  |
| FORD           | Transit        |                 | 2001>2006   | ✓   | ✓   | ✓   | ✓  |   | 810     | 2xØ17   | 2905692 P4 X             | 23  |
| ISUZU          | Serie N        | NLR 85A         | 2006>   | ✓   | ✓   | ✓   |  |   | 700     | 90x40   | 2905630 P5 DEL           | 24,5  |
| ISUZU          | Serie N        | NLR 85A         | 2006>   | ✓   | ✓   | ✓   |  |   | 700     | 83x56   | 2905630 PO DEL           | 24,5  |
| ISUZU          | Serie N        | NLR 85A         | 2006>   | ✓   | ✓   | ✓   |  |   | 700     | 2xØ17   | 2905630 P4 DEL           | 24,5  |
| ISUZU          | Serie N        | NLR 85          | 2006>   | ✓   | ✓   | ✓   |  |   | 700     | 90x40   | 2905630 P5 SIG           | 28  |
| ISUZU          | Serie N        | NLR 85          | 2006>   | ✓   | ✓   | ✓   |  |   | 700     | 83x56   | 2905630 PO SIG           | 28  |
| ISUZU          | Serie N        | NLR 85          | 2006>   | ✓   | ✓   | ✓   |  |   | 700     | 2xØ17   | 2905630 P4 SIG           | 28  |
| ISUZU          | Serie N        | NLS 85          | 2006>   | ✓   | ✓   | ✓   |  |   | 700     | 90x40   | 2905630 P5 SIG           | 28  |
| ISUZU          | Serie N        | NLS 85          | 2006>   | ✓   | ✓   | ✓   |  |   | 700     | 83x56   | 2905630 PO SIG           | 28  |
| ISUZU          | Serie N        | NLS 85          | 2006>   | ✓   | ✓   | ✓   |  |   | 700     | 2xØ17   | 2905630 P4 SIG           | 28  |
| ISUZU          | Serie N        | NNR 85 - NPR 85 | 2006>   | ✓   | ✓   | ✓   |  |   | 700     | 90x40   | 2905631 P5 GAM           | 26  |
| ISUZU          | Serie N        | NNR 85 - NPR 85 | 2006>   | ✓   | ✓   | ✓   |  |   | 700     | 83x56   | 2905631 PO GAM           | 26  |
| ISUZU          | Serie N        | NNR 85 - NPR 85 | 2006>   | ✓   | ✓   | ✓   |  |   | 700     | 2xØ17   | 2905631 P4 GAM           | 26  |
| ISUZU          | Serie N        | NMR 85          | 2006>   | ✓   | ✓   | ✓   |  |   | 700     | 90x40   | 2905630 P5 GAM           | 26  |
| ISUZU          | Serie N        | NMR 85          | 2006>   | ✓   | ✓   | ✓   |  |   | 700     | 83x56   | 2905630 PO GAM           | 26  |
| ISUZU          | Serie N        | NMR 85          | 2006>   | ✓   | ✓   | ✓   |  |   | 700     | 2xØ17   | 2905630 P4 GAM           | 26  |
| ISUZU          | Serie N        | NPR 75          | 2006>   | ✓   | ✓   | ✓   |  |   | 850     | 90x40   | 2905637 P5 GAM           | 26  |
| ISUZU          | Serie N        | NPR 75          | 2006>   | ✓   | ✓   | ✓   |  |   | 850     | 83x56   | 2905637 PO GAM           | 26  |
| ISUZU          | Serie N        | NPR 75          | 2006>   | ✓   | ✓   | ✓   |  |   | 850     | 2xØ17   | 2905637 P4 GAM           | 26  |
| IVECO          | Daily          | 29 L - 35 S     | 2006>2013   | ✓   | ✓   | ✓   |  |   | 860     | 90x40   | 2905637 P5 PSY PR        | 31  |
| IVECO          | Daily          | 29 L - 35 S     | 2006>2013   | ✓   | ✓   | ✓   |  |   | 860     | 83x56   | 2905637 PO PSY PR        | 31  |
| IVECO          | Daily          | 29 L - 35 S     | 2006>2013   | ✓   | ✓   | ✓   |  |   | 860     | 2xØ17   | 2905637 P4 PSY PR        | 31  |
| IVECO          | Daily          | 29 L - 35 S     | 2006>2013   |   | ✓   |   | ✓  |   | 860     | 90x40   | 2905698 P5 LAM PR        | 31  |
| IVECO          | Daily          | 29 L - 35 S     | 2006>2013   |   | ✓   |   | ✓  |   | 860     | 83x56   | 2905698 PO LAM PR        | 31  |
| IVECO          | Daily          | 29 L - 35 S     | 2006>2013   |   | ✓   |   | ✓  |   | 860     | 2xØ17   | 2905698 P4 LAM PR        | 31  |
| IVECO          | Daily          | 33S ▼ ≠ 3000    | 2014>   | ✓   | ✓   | ✓   |  |   | 860     | 83x56   | 2905610 2PI              | 25  |
| IVECO          | Daily          | 35S ▼ ≠ 3000    | 2014>   | ✓   | ✓   | ✓   |  |   | 860     | 83x56   | 2905610 2PI              | 25  |

 Rok produkcji  
*Vintage*

 Ponowne wykorzystanie oryginalnego zderzaka  
*The original bumper can be re-used*

 Oś z kołami pojedynczymi  
*Single-wheel axle*






 Podwozie z kabiną  
*Chassis Cab*

 Furgon z zabudową blaszaną  
*Panel van*

 Furgon z zabudową blaszaną i stopniem  
*Panel van with step plate*

**BELKI - TOW BARS**

| PACK ACIER | PACK ALU (L) | PACK ALU (D) | PACK ALU (S) | PACK ALU |
|------------|--------------|--------------|--------------|----------|
|------------|--------------|--------------|--------------|----------|

| Nr katalog.<br>Reference |  Kg | Nr katalog.<br>Reference |  Kg | Nr katalog.<br>Reference |  Kg | Nr katalog.<br>Reference |  Kg | Nr katalog.<br>Reference |  Kg |
|--------------------------|--|--------------------------|--|--------------------------|--|--------------------------|--|--------------------------|--|
|                          |  | 2916844 DB P5            | 62   | 2917844 DB P5            | 62   | 2918844 DB P5            | 61   | 2919844 DB P5            | 60   |
| 2903612 1D               | 35   | 2916844 DB PO            | 62   | 2917844 DB PO            | 62   | 2918844 DB PO            | 61   | 2919844 DB PO            | 60   |
| 2905612 3C               | 35   |                          |  |                          |  |                          |  |                          |  |
| 2903612 1Y               | 35   |                          |  |                          |  |                          |  |                          |  |
| 2903612 1D               | 35   |                          |  |                          |  |                          |  |                          |  |
| 2903612 1D               | 35   |                          |  |                          |  |                          |  |                          |  |
| 2905613 3S               | 35   |                          |  |                          |  |                          |  |                          |  |
| 2903612 1D               | 35   |                          |  |                          |  |                          |  |                          |  |
|                          |  | 2916700 DELB P5          | 62   | 2917700 DELB P5          | 62   | 2918700 DELB P5          | 61   | 2919700 DELB P5          | 60   |
| 2903612 1SIGMA           | 35   | 2916700 DELB PO          | 62   | 2917700 DELB PO          | 62   | 2918700 DELB PO          | 61   | 2919700 DELB PO          | 60   |
|                          |  | 2916700 GAMB P5          | 62   | 2917700 GAMB P5          | 62   | 2918700 GAMB P5          | 61   | 2919700 GAMB P5          | 60   |
| 2903612 1SIGMA           | 35   | 2916700 GAMB PO          | 62   | 2917700 GAMB PO          | 62   | 2918700 GAMB PO          | 61   | 2919700 GAMB PO          | 60   |
|                          |  | 2916751 GAMB P5          | 62   | 2917751 GAMB P5          | 62   | 2918751 GAMB P5          | 61   | 2919751 GAMB P5          | 60   |
| 2903612 1SIGMA           | 35   | 2916751 GAMB PO          | 62   | 2917751 GAMB PO          | 62   | 2918751 GAMB PO          | 61   | 2919751 GAMB PO          | 60   |
|                          |  | 2916700 GAMB P5          | 62   | 2917700 GAMB P5          | 62   | 2918700 GAMB P5          | 61   | 2919700 GAMB P5          | 60   |
| 2903612 1SIGMA           | 35   | 2916700 GAMB PO          | 62   | 2917700 GAMB PO          | 62   | 2918700 GAMB PO          | 61   | 2919700 GAMB PO          | 60   |
|                          |  | 2916751 GAMB P5          | 62   | 2917751 GAMB P5          | 62   | 2918751 GAMB P5          | 61   | 2919751 GAMB P5          | 60   |
| 2903612 1SIGMA           | 35   | 2916751 GAMB PO          | 62   | 2917751 GAMB PO          | 62   | 2918751 GAMB PO          | 61   | 2919751 GAMB PO          | 60   |
| 2903612 1PSY-PR          | 35   |                          |  |                          |  |                          |  |                          |  |
| 29036112 1LAM-PR         | 35   |                          |  |                          |  |                          |  |                          |  |
| 2905612 2PI              | 35   |                          |  |                          |  |                          |  |                          |  |
| 2905612 2PI              | 35   |                          |  |                          |  |                          |  |                          |  |


 Oś z kołami podwójnymi  
Dual-wheel axle


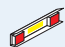
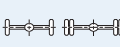



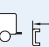
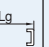



 Szerokość podwozia  
Chassis width


 Przebijanie Haki  
Coupling drilling


 Rozstaw osi  
Wheelbase


 Wiercenie  
Weight


 1 Krótki Zwis - 2 Długi Zwis  
1 Short Overhang - 2 Long Overhang


| Marka<br>Brand | Model<br>Model | Typ<br>Type            |  |  |  |  |  |  |  |  |  | Nr katalog.<br>Reference |  |
|----------------|----------------|------------------------|---|---|---|---|--|---|---|---|---|--------------------------|---|
| IVECO          | Daily          | 35 C                   | 2006>2013   |   | ✓   |   | ✓  |   |   | 864   | 90x40   | 2905698 P5 LAM           | 31  |
| IVECO          | Daily          | 35 C                   | 2006>2013   |   | ✓   |   | ✓  |   |   | 864   | 83x56   | 2905698 PO LAM           | 31  |
| IVECO          | Daily          | 35 C                   | 2006>2013   |   | ✓   |   | ✓  |   |   | 864   | 2xØ17   | 2905698 P4 LAM           | 31  |
| IVECO          | Daily          | 35 C                   | 2014>   |   | ✓   |   | ✓  |   |   | 860   | 83x56   | 2905610 1A               | 25  |
| IVECO          | Daily          | 35 C                   | 2014>   | ✓   | ✓   |   | ✓  |   |   | 860   | 83x56   | 2905610 2PI              | 25  |
| IVECO          | Daily          | 35 C LIGHT             | 2006>2013   | ✓   | ✓   |   | ✓  |   |   | 862   | 90x40   | 2905637 P5 PSY           | 29  |
| IVECO          | Daily          | 35 C LIGHT             | 2006>2013   | ✓   | ✓   |   | ✓  |   |   | 862   | 83x56   | 2905637 PO PSY           | 29  |
| IVECO          | Daily          | 35 C LIGHT             | 2006>2013   | ✓   | ✓   |   | ✓  |   |   | 862   | 2xØ17   | 2905637 P4 PSY           | 29  |
| IVECO          | Daily          | 35, 40, 45, 50 C       | 2006>2013   | ✓   | ✓   |   | ✓  |   |   | 864   | 90x40   | 2905637 P5 PI            | 31  |
| IVECO          | Daily          | 35, 40, 45, 50 C       | 2006>2013   | ✓   | ✓   |   | ✓  |   |   | 864   | 83x56   | 2905637 PO PI            | 31  |
| IVECO          | Daily          | 35, 40, 45, 50 C       | 2006>2013   | ✓   | ✓   |   | ✓  |   |   | 864   | 2xØ17   | 2905637 P4 PI            | 31  |
| IVECO          | Daily          | 40 C - 50 C            | 2014>   |   | ✓   |   | ✓  |   |   | 860   | 83x56   | 2903610 1A               | 27  |
| IVECO          | Daily          | 40 C - 50 C            | 2014>   | ✓   | ✓   |   | ✓  |   |   | 860   | 83x56   | 2903610 2PI              | 27  |
| IVECO          | Daily          | 65 C - 75 C            | 2006>2013   | ✓   | ✓   |   | ✓  |   |   | 864   | 90x40   | 2905637 P5 PI GR         | 32  |
| IVECO          | Daily          | 65 C - 75 C            | 2006>2013   | ✓   | ✓   |   | ✓  |   |   | 864   | 83x56   | 2905637 PO PI GR         | 32  |
| IVECO          | Daily          | 65 C - 75 C            | 2006>2013   | ✓   | ✓   |   | ✓  |   |   | 864   | 2xØ17   | 2905637 P4 PI GR         | 32  |
| IVECO          | Daily          | 65 C - 70 C            | 2014>   |   | ✓   |   | ✓  |   |   | 860   | 83x56   |                          |   |
| MERCEDES       | Sprinter       | Série 200 - 300        | 2006>   | ✓   | ✓   |   | ✓  |   |   | 837   | 90x40   | 2905698 P5 I             | 22  |
| MERCEDES       | Sprinter       | Série 200 - 300        | 2006>   | ✓   | ✓   |   | ✓  |   |   | 837   | 83x56   | 2905698 PO I             | 22  |
| MERCEDES       | Sprinter       | Série 200 - 300        | 2006>   | ✓   | ✓   |   | ✓  |   |   | 837   | 2xØ17   | 2905698 P4 I             | 22  |
| MERCEDES       | Sprinter       | Série 200 - 300        | 2006>   |   | ✓   |   |  | ✓   |   | 834   | 90x40   | 2905698 P5 ALP           | 32  |
| MERCEDES       | Sprinter       | Série 200 - 300        | 2006>   |   | ✓   |   |  | ✓   |   | 834   | 83x56   | 2905698 PO ALP           | 32  |
| MERCEDES       | Sprinter       | Série 200 - 300        | 2006>   |   | ✓   |   |  | ✓   |   | 834   | 2xØ17   | 2905698 P4 ALP           | 32  |
| MERCEDES       | Sprinter       | Série 400 - 500        | 2006>   | ✓   | ✓   | ✓   | ✓  |   |   | 810   | 90x40   | 2905692 P5 U             | 25  |
| MERCEDES       | Sprinter       | Série 400 - 500        | 2006>   | ✓   | ✓   | ✓   | ✓  |   |   | 810   | 83x56   | 2905692 PO U             | 25  |
| MERCEDES       | Sprinter       | Série 400 - 500        | 2006>   | ✓   | ✓   | ✓   | ✓  |   |   | 810   | 2xØ17   | 2905692 P4 U             | 25  |
| MERCEDES       | Sprinter       | Série 400 - 500 (3,5t) | 2006>   |   | ✓   | ✓   | ✓  |   |   | 837   | 83x56   | 2905610 1Z               | 25  |
| MERCEDES       | Sprinter       | Série 400 - 500 (3,5t) | 2006>   | ✓   | ✓   | ✓   | ✓  |   |   | 837   | 83x56   | 2905698 MEZ              | 23  |
| MERCEDES       | Sprinter       | Série 500 ▼ 3665       | 2006>   |   | ✓   |   |  | ✓   |   | 770   | 90x40   | 2905634 P5 ALP           | 32  |
| MERCEDES       | Sprinter       | Série 500 ▼ 3665       | 2006>   |   | ✓   |   |  | ✓   |   | 770   | 83x56   | 2905634 PO ALP           | 32  |
| MERCEDES       | Sprinter       | Série 500 ▼ 3665       | 2006>   |   | ✓   |   |  | ✓   |   | 770   | 2xØ17   | 2905634 P4 ALP           | 32  |
| MERCEDES       | Sprinter       | Série 500 ▼ 4325       | 2006>   |   | ✓   |   |  | ✓   |   | 995   | 90x40   | 2905693 P5 ALP           | 32  |
| MERCEDES       | Sprinter       | Série 500 ▼ 4325       | 2006>   |   | ✓   |   |  | ✓   |   | 995   | 83x56   | 2905693 PO ALP           | 32  |
| MERCEDES       | Sprinter       | Série 500 ▼ 4325       | 2006>   |   | ✓   |   |  | ✓   |   | 995   | 2xØ17   | 2905693 P4 ALP           | 32  |
| NISSAN         | Cabstar        | TL 04                  | 2006>   | ✓   | ✓   |   | ✓  |   |   | 750   | 90x40   | 2905622 P5               | 20  |
| NISSAN         | Cabstar        | TL 04                  | 2006>   | ✓   | ✓   |   | ✓  |   |   | 750   | 83x56   | 2905622 PO               | 20  |
| NISSAN         | Cabstar        | TL 04                  | 2006>   | ✓   | ✓   |   | ✓  |   |   | 750   | 2xØ17   | 2905622 P4               | 20  |
| NISSAN         | Cabstar        | NT 400                 | 2014>   |   | ✓   | ✓   | ✓  |   |   | 750   | 83x56   | 2903610 1A               | 27  |
| NISSAN         | Cabstar        | NV 400 ①               | 2011>   |   | ✓   | ✓   |  | ✓   |   |   | 83x56   | 2903610 1AC              | 27  |
| NISSAN         | Cabstar        | NV 400 ②               | 2011>   |   | ✓   | ✓   |  | ✓   |   |   | 83x56   | 2903610 1AL              | 27  |
| NISSAN         | Cabstar        | NT 500                 | 2014>   | ✓   | ✓   |   | ✓  |   |   | 860   | 83x56   | 2903610 2B               | 27  |
| NISSAN         | Cabstar        | NT 500                 | 2014>   |   | ✓   |   | ✓  |   |   | 860   | 83x56   | 2903610 3B               | 27  |


 Rok produkcji  
*Vintage*

 Ponowne wykorzystanie oryginalnego zderzaka  
*The original bumper can be re-used*

 Oś z kołami pojedynczymi  
*Single-wheel axle*






 Podwozie z kabiną  
*Chassis Cab*

 Furgon z zabudową blaszaną  
*Panel van*

 Furgon z zabudową blaszaną i stopniem  
*Panel van with step plate*

**BELKI - TOW BAR**

| PACK ACIER | PACK ALU (L) | PACK ALU (D) | PACK ALU (S) | PACK ALU |
|------------|--------------|--------------|--------------|----------|
|------------|--------------|--------------|--------------|----------|

| Nr katalog.<br>Reference |  Kg | Nr katalog.<br>Reference |  Kg | Nr katalog.<br>Reference |  Kg | Nr katalog.<br>Reference |  Kg | Nr katalog.<br>Reference |  Kg |
|--------------------------|--|--------------------------|--|--------------------------|--|--------------------------|--|--------------------------|--|
| 2903612 1LAM-STD         | 35   |                          |  |                          |  |                          |  |                          |  |
| 2905612 1A               | 35   |                          |  |                          |  |                          |  |                          |  |
| 2905612 2PI              | 35   |                          |  |                          |  |                          |  |                          |  |
| 2903612 1PSY-STD         | 35   |                          |  |                          |  |                          |  |                          |  |
| 2903612 1PI-STD          | 35   |                          |  |                          |  |                          |  |                          |  |
| 2903612 1A               | 35   |                          |  |                          |  |                          |  |                          |  |
| 2903612 2PI              | 35   |                          |  |                          |  |                          |  |                          |  |
| 2903612 1PI-GR           | 35   |                          |  |                          |  |                          |  |                          |  |
| 2903612 2PSY             | 35   |                          |  |                          |  |                          |  |                          |  |
| 2905612 2Z               | 35   |                          |  |                          |  |                          |  |                          |  |
| 2905612 2Z               | 35   |                          |  |                          |  |                          |  |                          |  |
| 2905612 2Z               | 35   |                          |  |                          |  |                          |  |                          |  |
| 2905612 1Z               | 35   |                          |  |                          |  |                          |  |                          |  |
| 2905612 1Z               | 35   |                          |  |                          |  |                          |  |                          |  |
| 2905612 1Z               | 35   |                          |  |                          |  |                          |  |                          |  |
| 2905612 1Z               | 35   |                          |  |                          |  |                          |  |                          |  |
| 2916751 11 P5            | 62   | 2917751 11 P5            | 62   | 2918751 11 P5            | 61   | 2919751 11 P5            | 60   |                          |  |
| 2916751 11 PO            | 62   | 2917751 11 PO            | 62   | 2918751 11 PO            | 61   | 2919751 11 PO            | 60   |                          |  |
| 2903612 1A               | 35   |                          |  |                          |  |                          |  |                          |  |
| 2903612 1AC              | 35   |                          |  |                          |  |                          |  |                          |  |
| 2903612 1AL              | 35   |                          |  |                          |  |                          |  |                          |  |
| 2903612 3B               | 35   |                          |  |                          |  |                          |  |                          |  |

 Oś z kołami podwójnymi  
Dual-wheel axle


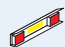
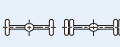



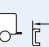
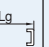


 Szerokość podwozia  
Chassis width

 Przebijanie Haki  
Coupling drilling

 Rozstaw osi  
Wheelbase

 Wiercenie  
Weight


 1 Krótki Zwis - 2 Długi Zwis  
1 Short Overhang - 2 Long Overhang


| Marka<br>Brand | Model<br>Model | Typ<br>Type |  |  |  |  |  |  |  |  |  | Nr katalog.<br>Reference |  |
|----------------|----------------|-------------|---|---|---|---|--|---|---|---|---|--------------------------|---|
| NISSAN         | Atleon         | 120 - B     | 2006>   | ✓   | ✓   | ✓   | ✓  |   |   | 802   | 90x40   | 2905636 P5 B             | 26  |
| NISSAN         | Atleon         | 120 - B     | 2006>   | ✓   | ✓   | ✓   | ✓  |   |   | 802   | 83x56   | 2905636 PO B             | 26  |
| NISSAN         | Atleon         | 120 - B     | 2006>   | ✓   | ✓   | ✓   | ✓  |   |   | 802   | 2xØ17   | 2905636 P4 B             | 26  |
| NISSAN         | Atleon         | 140 - V     | 2006>   | ✓   | ✓   | ✓   | ✓  |   |   | 802   | 90x40   | 2905636 P5 V             | 29  |
| NISSAN         | Atleon         | 140 - V     | 2006>   | ✓   | ✓   | ✓   | ✓  |   |   | 802   | 83x56   | 2905636 PO V             | 29  |
| NISSAN         | Atleon         | 140 - V     | 2006>   | ✓   | ✓   | ✓   | ✓  |   |   | 802   | 2xØ17   | 2905636 P4 V             | 29  |
| NISSAN         | Interstar      | Phase III   | 2006>   | ✓   |   | ✓   | ✓  |   |   | 678   | 90x40   | 2905662 P5 KHI           | 27  |
| NISSAN         | Interstar      | Phase III   | 2006>   | ✓   |   | ✓   | ✓  |   |   | 678   | 83x56   | 2905662 PO KHI           | 27  |
| NISSAN         | Interstar      | Phase III   | 2006>   | ✓   |   | ✓   | ✓  |   |   | 678   | 2xØ17   | 2905662 P4 KHI           | 27  |
| NISSAN         | Interstar      | Phase III   | 2006>   | ✓   | ✓   |   | ✓  |   |   | 836   | 90x40   | 2905820 P5 KHI           | 27  |
| NISSAN         | Interstar      | Phase III   | 2006>   | ✓   | ✓   |   | ✓  |   |   | 836   | 83x56   | 2905820 PO KHI           | 27  |
| NISSAN         | Interstar      | Phase III   | 2006>   | ✓   | ✓   |   | ✓  |   |   | 836   | 2xØ17   | 2905820 P4 KHI           | 27  |
| OPEL           | Movano         | Phase III   | 2006>   | ✓   |   | ✓   | ✓  |   |   | 678   | 90x40   | 2905662 P5 KHI           | 27  |
| OPEL           | Movano         | Phase III   | 2006>   | ✓   |   | ✓   | ✓  |   |   | 678   | 83x56   | 2905662 PO KHI           | 27  |
| OPEL           | Movano         | Phase III   | 2006>   | ✓   |   | ✓   | ✓  |   |   | 678   | 2xØ17   | 2905662 P4 KHI           | 27  |
| OPEL           | Movano         | Phase III   | 2006>   | ✓   | ✓   |   | ✓  |   |   | 836   | 90x40   | 2905820 P5 KHI           | 27  |
| OPEL           | Movano         | Phase III   | 2006>   | ✓   | ✓   |   | ✓  |   |   | 836   | 83x56   | 2905820 PO KHI           | 27  |
| OPEL           | Movano         | Phase III   | 2006>   | ✓   | ✓   |   | ✓  |   |   | 836   | 2xØ17   | 2905820 P4 KHI           | 27  |
| OPEL           | Movano         | Phase III ① | 2011>   |   |   |   |  | ✓   |   |   | 83x56   | 2903610 1AC              | 27  |
| OPEL           | Movano         | Phase III ② | 2011>   |   |   |   |  | ✓   |   |   | 83x56   | 2903610 1AL              | 27  |
| RENAULT        | D              | 3,5         | 2014>   | ✓   |   | ✓   | ✓  |   |   | 860   | 83x56   | 2903610 2B               | 27  |
| RENAULT        | D              | 3,5         | 2014>   |   |   | ✓   | ✓  |   |   | 860   | 83x56   | 2903610 3B               | 27  |
| RENAULT        | D              | 4 - 5 - 7,5 | 2014>   | ✓   |   | ✓   | ✓  |   |   | 860   | 83x56   | 2903610 2B               | 27  |
| RENAULT        | D              | 4 - 5 - 7,5 | 2014>   |   |   | ✓   | ✓  |   |   | 860   | 83x56   | 2903610 3B               | 27  |
| RENAULT        | Master         | Phase III   | 2006>   | ✓   |   | ✓   | ✓  |   |   | 678   | 90x40   | 2905662 P5 KHI           | 27  |
| RENAULT        | Master         | Phase III   | 2006>   | ✓   |   | ✓   | ✓  |   |   | 678   | 83x56   | 2905662 PO KHI           | 27  |
| RENAULT        | Master         | Phase III   | 2006>   | ✓   |   | ✓   | ✓  |   |   | 678   | 2xØ17   | 2905662 P4 KHI           | 27  |
| RENAULT        | Master         | Phase III   | 2006>   | ✓   | ✓   |   | ✓  |   |   | 836   | 90x40   | 2905820 P5 KHI           | 27  |
| RENAULT        | Master         | Phase III   | 2006>   | ✓   | ✓   |   | ✓  |   |   | 836   | 83x56   | 2905820 PO KHI           | 27  |
| RENAULT        | Master         | Phase III   | 2006>   | ✓   | ✓   |   | ✓  |   |   | 836   | 2xØ17   | 2905820 P4 KHI           | 27  |
| RENAULT        | Master         | Phase III ① | 2011>   |   |   | ✓   | ✓  |   | ✓   |   | 83x56   | 2903610 1AC              | 27  |
| RENAULT        | Master         | Phase III ② | 2011>   |   |   | ✓   | ✓  |   | ✓   |   | 83x56   | 2903610 1AL              | 27  |
| RENAULT        | Mascott        |             | 2003>   | ✓   |   | ✓   | ✓  |   |   | 860   | 90x40   | 2905638 P5 NU            | 28  |
| RENAULT        | Mascott        |             | 2003>   | ✓   |   | ✓   | ✓  |   |   | 860   | 83x56   | 2905638 PO NU            | 28  |
| RENAULT        | Mascott        |             | 2003>   | ✓   |   | ✓   | ✓  |   |   | 860   | 2xØ17   | 2905638 P4 NU            | 28  |
| RENAULT        | Mascott        |             | 2003>   |   |   | ✓   |  | ✓   |   | 860   | 90x40   | 2905638 P5 E             | 28  |
| RENAULT        | Mascott        |             | 2003>   |   |   | ✓   |  | ✓   |   | 860   | 83x56   | 2905638 PO E             | 28  |
| RENAULT        | Mascott        |             | 2003>   |   |   | ✓   |  | ✓   |   | 860   | 2xØ17   | 2905638 P4 E             | 28  |
| RENAULT        | Maxity         |             | 2006>   | ✓   |   |   | ✓  |   |   |   | 90x40   |                          |   |
| RENAULT        | Maxity         |             | 2006>   | ✓   |   |   | ✓  |   |   |   | 83x56   | 2903610 1A               | 27  |
| VOLKSWAGEN     | Crafter        | 35          | 2006>   | ✓   | ✓   |   | ✓  |   |   | 837   | 83x56   | 2905610 1Z               | 25  |
| VOLKSWAGEN     | Crafter        | 50          | 2006>   |   |   | ✓   | ✓  |   |   | 810   | 83x56   | 2903610 1Z               | 27  |


 Rok produkcji  
*Vintage*

 Ponowne wykorzystanie oryginalnego zderzaka  
*The original bumper can be re-used*

 Oś z kołami pojedynczymi  
*Single-wheel axle*

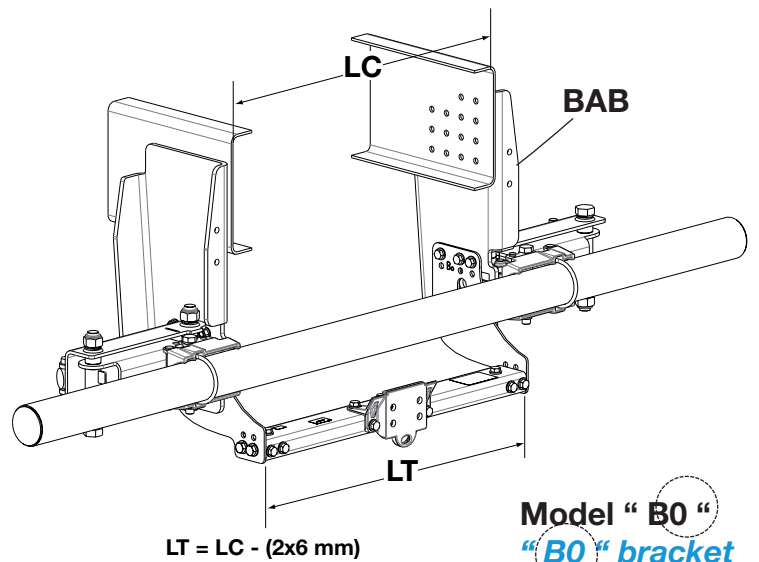
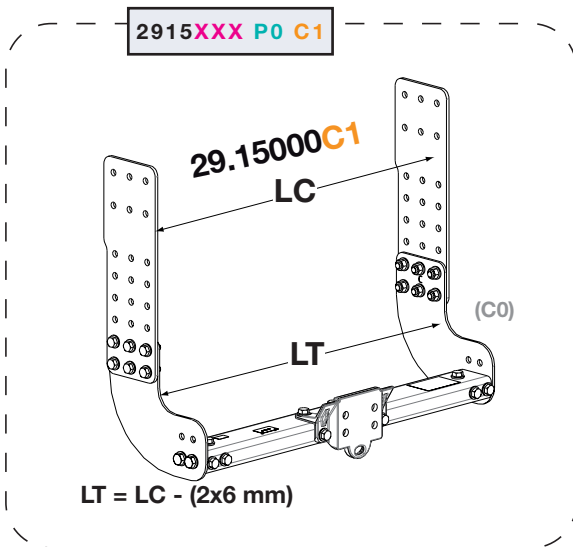
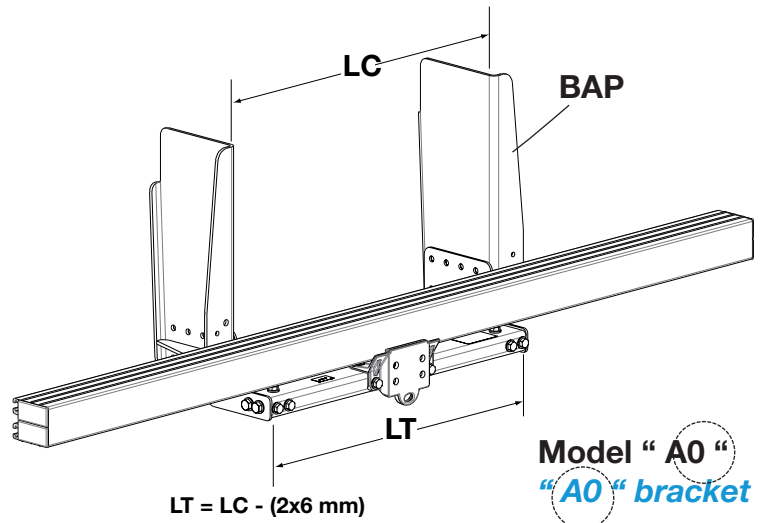
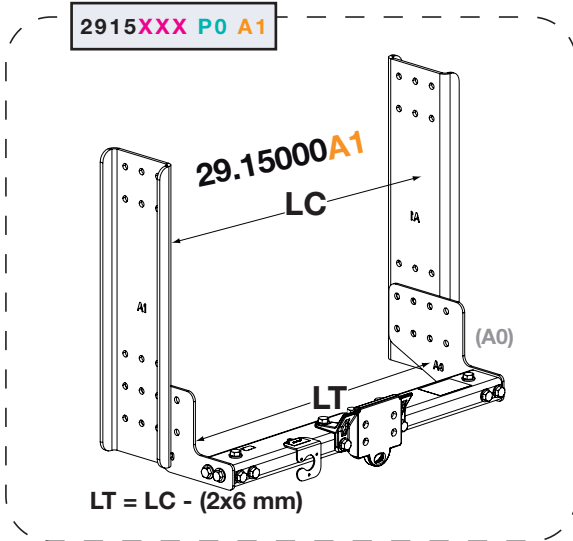
 Podwozie z kabiną  
*Chassis Cab*

 Furgon z zabudową blaszaną  
*Panel van*

 Furgon z zabudową blaszaną i stopniem  
*Panel van with step plate*



BELKI UNIWERSALNE - *UNIVERSAL TOW BARS*



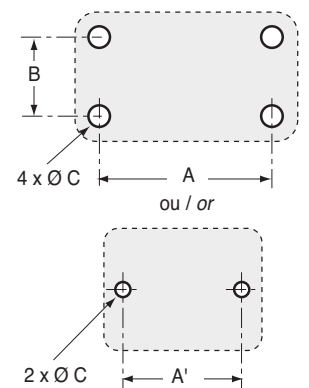
| LT  |
|---|
| Długość rury<br>Tube length<br>(± 2,5 mm) |
| 662                                       |
| 700                                       |
| 729                                       |
| 734                                       |
| 751                                       |
| 757                                       |
| 762                                       |
| 770                                       |
| 790                                       |
| 802                                       |
| 810                                       |
| 820                                       |
| 837                                       |
| 844                                       |
| 852                                       |
| 860                                       |
| 895                                       |



**31 kN**

|    | Przebijanie<br>Drilling |    |     |
|----|-------------------------|----|-----|
|    | A                       | B  | Ø C |
| P0 | 83                      | 56 | 11  |
| P4 | 90                      |    | 17  |
| P5 | 90                      | 40 | 17  |

**2915770 P0 B0**

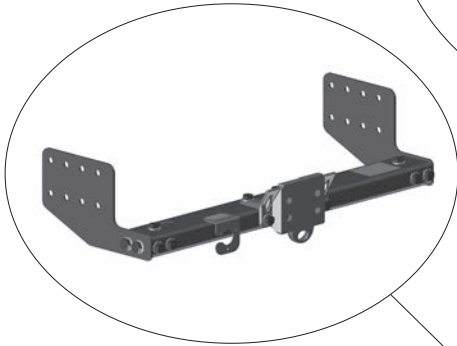




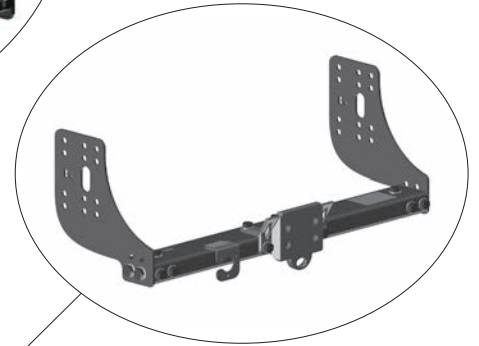
Model "L0"  
"L0" bracket



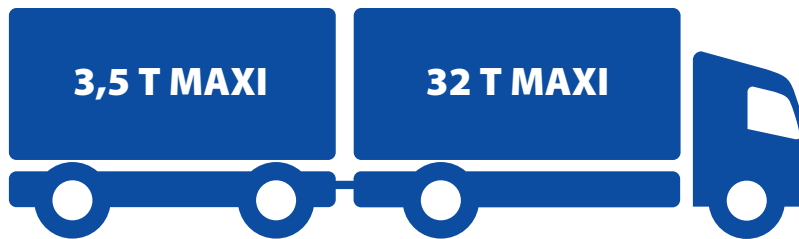
Model "A0"  
"A0" bracket



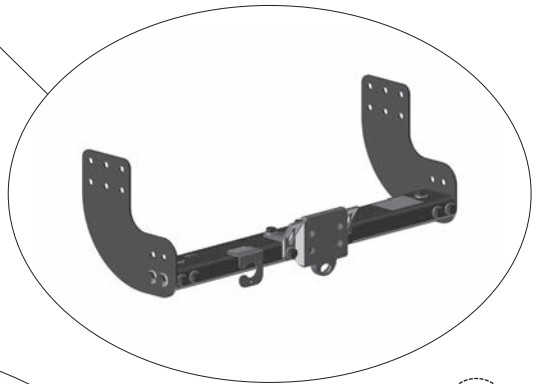
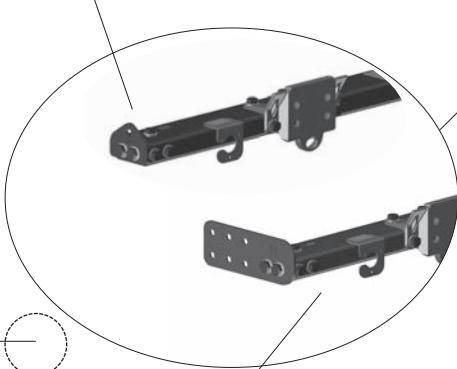
Model "B0"  
"B0" bracket



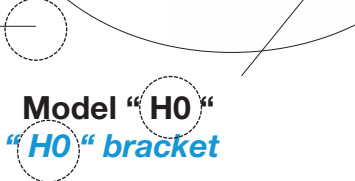
**D = 31 kN maxi**  
**S = 375 Kg maxi**



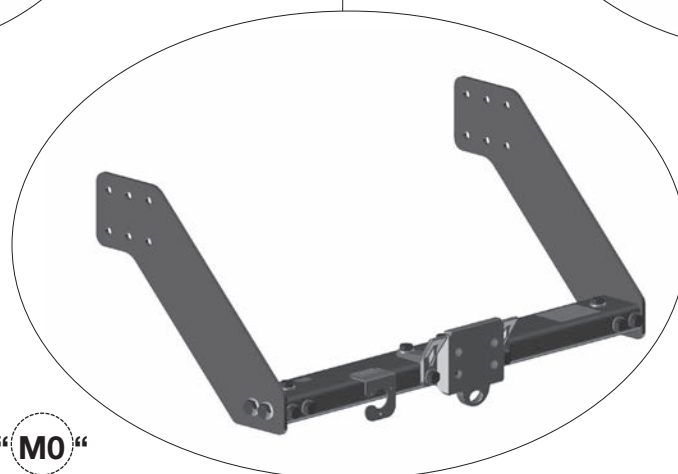
Model "R0"  
"R0" bracket



Model "H0"  
"H0" bracket

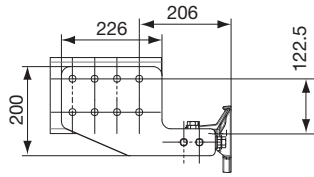


Model "C0"  
"C0" bracket

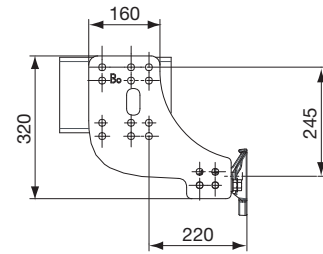


Model "M0"  
"M0" bracket

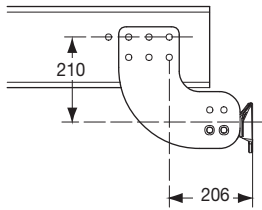
**A0**



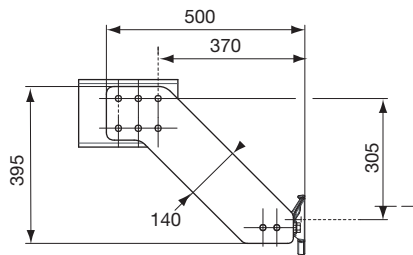
**B0**



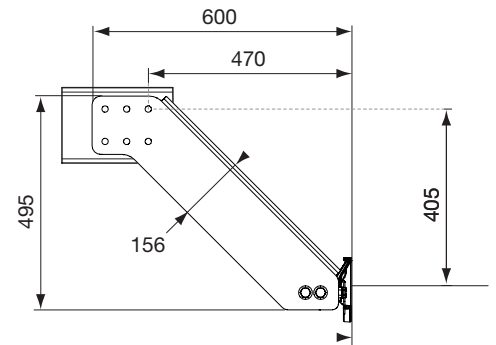
**C0**



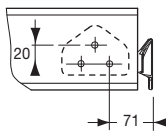
**M0**



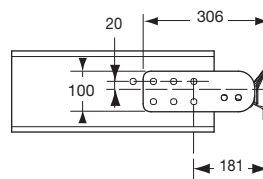
**L0**



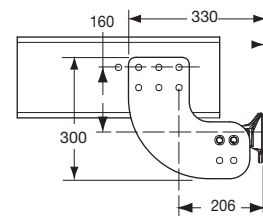
**R0**



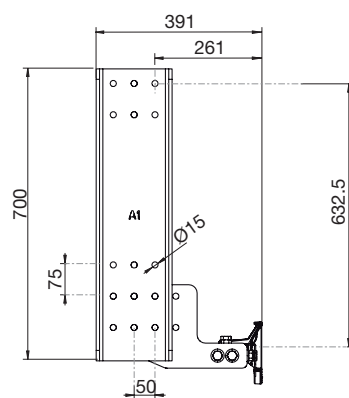
**H0**



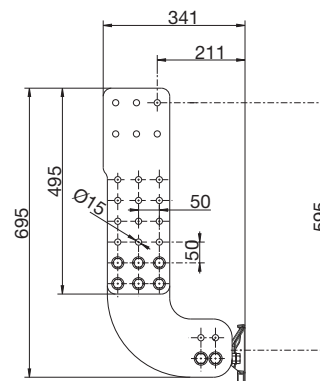
**C0**

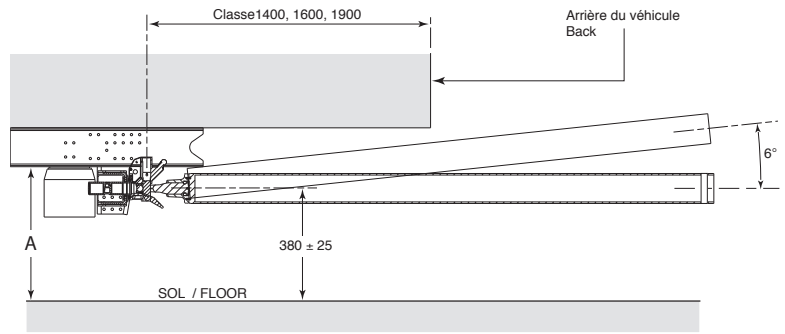


**A1**



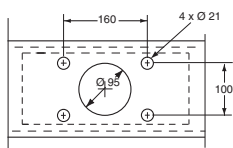
**C1**



**BELKI 19T - 19T TOW BAR**


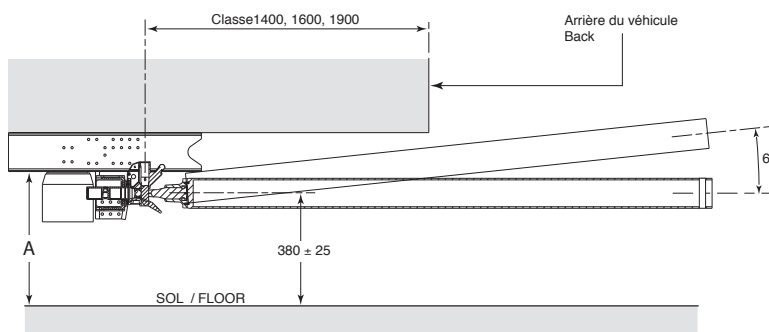
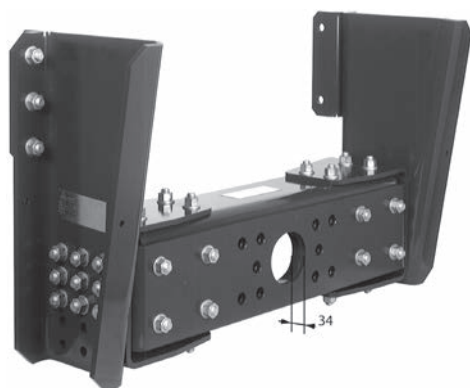
| Dla wymiaru: A do....<br>For dimension A up to ... |     |
|--|-----|
| <b>M</b>   | 675 |
| <b>L</b>   | 735 |
| <b>X</b>   | 838 |

| Nr katalog.<br>Reference | Kg  | Szerokość ramy ±2,5 mm<br>Chassis width ±2,5 mm | Typ (Orientacyjnie)<br>Type (As a guide)                              |
|--------------------------|-----|---|---|
| 2905152L                 | 116 | 757   | MERCEDES Axor   |
| 2905152M                 | 111 | 757   | MERCEDES Axor   |
| 2905152X                 | 123 | 757   | MERCEDES Axor   |
| 2905153L                 | 116 | 762   | MAN TGS / TGX<br>MERCEDES Actros / Arocs / Atego                      |
| 2905153M                 | 111 | 762   | MAN TGS / TGX<br>MERCEDES Actros / Arocs / Atego                      |
| 2905153X                 | 124 | 762   | MAN TGS / TGX<br>MERCEDES Actros / Arocs / Atego                      |
| 2905154L                 | 117 | 766   |   |
| 2905154M                 | 112 | 766   |   |
| 2905154X                 | 124 | 766   |   |
| 2905155L                 | 117 | 770   | IVECO Trakker / Stralis / Stratos<br>SCANIA                           |
| 2905155M                 | 112 | 770   | IVECO Trakker / Stralis / Stratos<br>SCANIA                           |
| 2905155X                 | 124 | 770   | IVECO Trakker / Stralis / Stratos<br>SCANIA                           |
| 2905156L                 | 119 | 790   | DAF   |
| 2905156M                 | 114 | 790   | DAF   |
| 2905156X                 | 126 | 790   | DAF   |
| 2905157L                 | 120 | 802   |   |
| 2905157M                 | 115 | 802   |   |
| 2905157X                 | 127 | 802   |   |
| 2905158L                 | 125 | 850   | IVECO Eurocargo<br>MERCEDES Actros / Antos / Atego<br>RENAULT / VOLVO |
| 2905158M                 | 120 | 850   | IVECO Eurocargo<br>MERCEDES Actros / Antos / Atego<br>RENAULT / VOLVO |
| 2905158X                 | 132 | 850   | IVECO Eurocargo<br>MERCEDES Actros / Antos / Atego<br>RENAULT / VOLVO |
| 2905159L                 | 126 | 857   | IVECO Eurocargo   |
| 2905159M                 | 121 | 857   | IVECO Eurocargo   |
| 2905159X                 | 133 | 857   | IVECO Eurocargo   |


**2905157**

| Typ<br>Type | D (kN) | (t) maxi | (t) maxi | Dc (kN) | S (kg) | V (kN) | (t) maxi | (t) maxi |
|-------------|--------|----------|----------|---------|--------|--------|----------|----------|
| <b>G150</b> | 110    | 44       | 26       | 110     | 1000   | 62     | 44       | 19       |

**BELKI 26T - 26T TOW BAR**

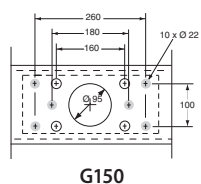
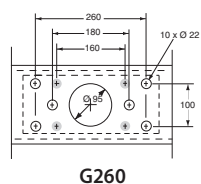


Belka poprzeczna 26T.  
26T tow bar.

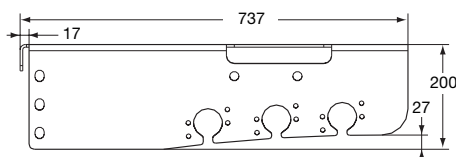
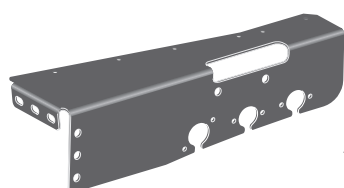


| Dla wymiaru: A do....<br>For dimension A up to ... |     |
|--|-----|
| <b>CAPS</b>  | 633 |
| <b>LAPS</b>  | 793 |

| Nr katalog.<br>Reference | Kg  | Szerokość ramy ±2,5 mm<br>Chassis width ±2,5 mm | Typ (Orientacyjnie)<br>Type (As a guide) |
|--------------------------|-----|---|--|
| 2905642CAPS              | 119 | 757   | MERCEDES Axor                            |
| 2905642LAPS              | 132 | 757   | MERCEDES Axor                            |
| 2905643CAPS              | 120 | 762   | MAN-MERCEDES Actros                      |
| 2905643LAPS              | 133 | 762   | MAN-MERCEDES Actros                      |
| 2905644CAPS              | 120 | 766   |  |
| 2905644LAPS              | 133 | 766   |  |
| 2905645CAPS              | 120 | 770   | SCANIA-IVECO Stratos                     |
| 2905645LAPS              | 133 | 770   | SCANIA-IVECO Stratos                     |
| 2905646CAPS              | 121 | 790   | DAF                                      |
| 2905646LAPS              | 134 | 790   | DAF                                      |
| 2905647CAPS              | 123 | 802   |  |
| 2905647LAPS              | 136 | 802   |  |
| 2905648CAPS              | 125 | 850   | VOLVO-RENAULT<br>MERCEDES Atégo-Antos    |
| 2905648LAPS              | 138 | 850   | VOLVO-RENAULT<br>MERCEDES Atégo-Antos    |
| 2905649CAPS              | 127 | 857   | IVECO Eurocargo                          |
| 2905649LAPS              | 140 | 857   | IVECO Eurocargo                          |



| Typ<br>Type | D<br>(kN) | (t) maxi | (t) maxi | Dc<br>(kN) | S<br>(kg) | V<br>(kN) | (t) maxi | (t) maxi |
|-------------|-----------|----------|----------|------------|-----------|-----------|----------|----------|
| <b>G150</b> | 110       | 44       | 26       | 110        | 1000      | 72,5      | 44       | 24       |
| <b>G260</b> | 110       | 44       | 26       | 110        | 1000      | 82        | 44       | 26       |

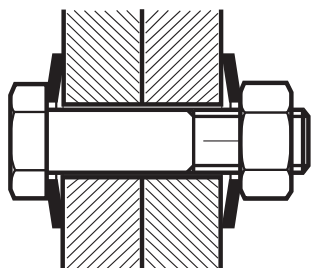


Podstawa gniazda, stal zabezpieczona katalforeza, do montażu na belce poprzecznej 26C/L.

Plug support, KTL coated, to be fitted on the under bar 26C/L.

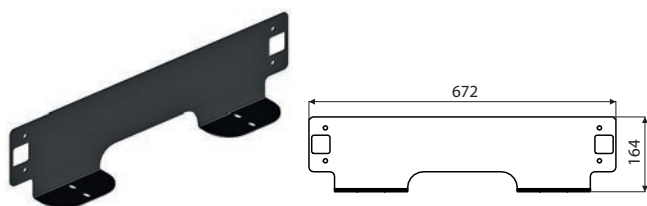
| Nr katalog.<br>Reference | Kg |
|--------------------------|----|
| 2905675                  | 7  |

AKCESORIA I CZĘŚCI ZAMIENNE - *SPARE PARTS AND ACCESSORIES*



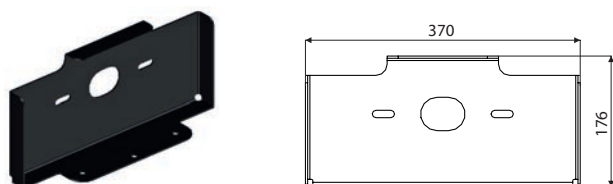
Komplet 34 śrub do łączenia ramy z belką 19T i 26T.  
*Set of 34 screws M14 for under bar link / chassis 19T and 26T.*

| Nr katalog.<br><i>Reference</i> | Typ<br><i>Type</i> |
|---------------------------------|--------------------|
| 2944137                         | M14                |
| 2944201                         | M16                |



Wspornik montażu tablicy rejestracyjnej w Pack Acier (śruby w komplecie).  
*Support for license plate on Pack Acier (screws included).*

| Nr katalog.<br><i>Reference</i> |
|---------------------------------|
| 2905616                         |




Wspornik do montażu oświetlenie dla Pack Acier (śruby w komplecie).  
*Light support for Pack Acier (screw included).*

| Nr katalog.<br><i>Reference</i> |
|---------------------------------|
| 2905615                         |



Wiązka uniwersalna 7 styków 12V.  
*Universal electrical kit, 7 pins 12V.*

| Nr katalog.<br><i>Reference</i> |  <i>Kg</i> | Długość<br><i>Length</i> |
|---------------------------------|---|--------------------------|
| 2944521                         | 0,9   | 1,5                      |



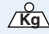
Wiązka uniwersalna 13 styków 12V.  
*Universal electrical kit, 13 pins 12V.*

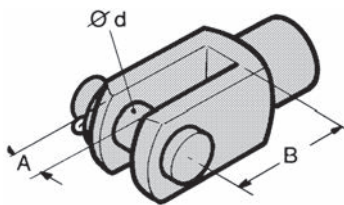
| Nr katalog.<br><i>Reference</i> |  <i>Kg</i> | Długość<br><i>Length</i> |
|---------------------------------|---|--------------------------|
| 2944522                         | 1,35  | 1,5                      |

1 AKCESORIA I CZĘŚCI ZAMIENNE - SPARE PARTS AND ACCESSORIES

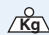


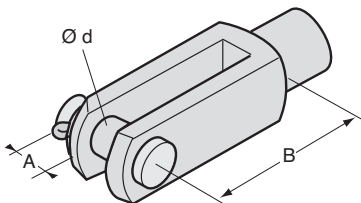
Złącze + kable.  
Connector + cable.

| Nr katalog.<br>Reference |  Kg |
|--------------------------|--|
| 2944192                  | 1  |
| 2944197                  | 1  |

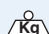


Widelki do ciągnien krótkie, stal.  
Steel rod yoke, short.

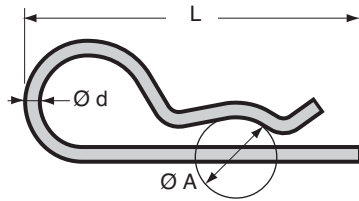
| Nr katalog.<br>Reference |  Kg | Dla pręta  <br>For rod | A<br>(mm) | B<br>(mm) | Zakończyć<br>Finish            | Ø D<br>(mm) |
|--------------------------|--|------------------------|-----------|-----------|--------------------------------|-------------|
| 2904638                  | 0,1  | 10                     | 10        | 20        | Stal surowa<br>Raw steel       | 10          |
| 2904639ZN                | 0,15   | 12                     | 12        | 24        | Stal ocynkowana<br>Zinc plated | 12          |
| 2904640                  | 0,24   | 14                     | 14        | 28        | Stal surowa<br>Raw steel       | 14          |
| 2904641                  | 0,36   | 16                     | 16        | 32        | Stal surowa<br>Raw steel       | 16          |
| 2904636ZN                | 0,02   |                        | 6         | 12        | Stal ocynkowana<br>Zinc plated |             |
| 2904637ZN                | 0,05   |                        | 8         | 16        | Stal ocynkowana<br>Zinc plated |             |



Widelki do ciągnien długie, stal surowa.  
Self colour steel rod yoke, long.

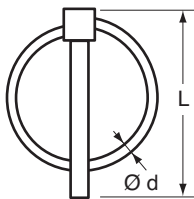
| Nr katalog.<br>Reference |  Kg | Dla pręta  <br>For rod | A<br>(mm) | B<br>(mm) | Ø D<br>(mm) |
|--------------------------|--|------------------------|-----------|-----------|-------------|
| 2904626                  | 0,02   | 6                      | 6         | 24        | 6           |
| 2904627                  | 0,06   | 8                      | 8         | 32        | 8           |
| 2904628                  | 0,12   | 10                     | 10        | 40        | 10          |
| 2904631                  | 0,5  | 16                     | 16        | 64        | 16          |

AKCESORIA I CZĘŚCI ZAMIENNE - *SPARE PARTS AND ACCESSORIES*



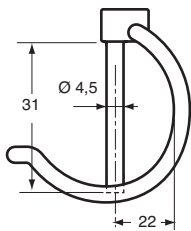
Zawleczka typu beta, stal ocynkowana i chromianowana.  
*Wire spring cotter, zinc plated steel.*

| Nr katalog.<br><i>Reference</i> | $\frac{Kq}{Kg}$ | Ø D<br>(mm) | L<br>(mm) | Ø A |
|---------------------------------|-----------------|-------------|-----------|-----|
| 2904610                         | 0,204           | 2           | 44        | 18  |
| 2904611                         | 0,687           | 3           | 57        | 23  |
| 2904613                         | 1,67            | 4           | 76        | 30  |
| 2904614                         | 3,26            | 5           | 100       | 40  |



Zawleczka klamrowa, stal kuta matrycowo, cynkowana, chromianowana.  
*Shaped cotter, forged steel, bichromated.*

| Nr katalog.<br><i>Reference</i> | $\frac{Kq}{Kg}$ | Ø d<br>(mm) | L<br>(mm) |
|---------------------------------|-----------------|-------------|-----------|
| 2904602                         | 0.025           | 6           | 45        |
| 2904603                         | 0.04            | 9           | 45        |



Zawleczka klamrowe, stal kuta matrycowo, cynkowana, chromianowana.  
*Shaped cotter, forged steel, bichromated.*

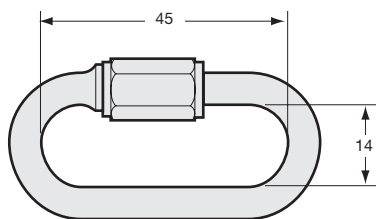
| Nr katalog.<br><i>Reference</i> | Ø   |
|---------------------------------|-----|
| 2904604                         | 4,5 |

1 AKCESORIA I CZĘŚCI ZAMIENNE - SPARE PARTS AND ACCESSORIES



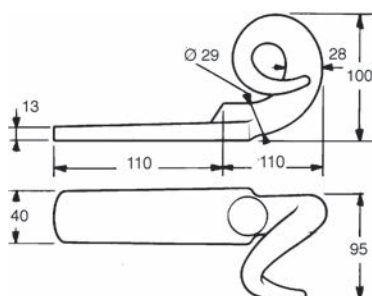
Łańcuch stalowy do klapy, w zwojach po 25 m, stalowy.  
*Steel tailgate chain, roll of 25 m, zinc plated.*

| Nr katalog.<br>Reference | $\frac{\text{Kg}}{\text{m}}$ | Ø Drutu<br>Ø Wire | A<br>(mm) | B<br>(mm) | Zakończyć<br>Finish              |
|--------------------------|------------------------------|-------------------|-----------|-----------|----------------------------------|
| 2904650BH                | 0,322                        | 4,5               | 34        | 10        | Brutto<br><i>Raw</i>             |
| 2904650EG                | 0,095                        | 2,5               | 24        | 6         | Ocynkowana<br><i>Zinc plated</i> |
| 2904650GH                | 0,35                         | 4,5               | 34        | 9         | Ocynkowana<br><i>Zinc plated</i> |
| 2904650GK                | 0,63                         | 6                 | 42        | 12        | Ocynkowana<br><i>Zinc plated</i> |
| 2904650A                 | 0,407                        | 5                 | 35        | 10        | Ocynkowana<br><i>Zinc plated</i> |
| 2904650F                 | 0,142                        | 3                 | 26        | 6         | Ocynkowana<br><i>Zinc plated</i> |



Ogniwko szybkozłączne, drut 6 mm, stal cynkowana.  
*Connecting link, zinc plated steel Ø 6 mm.*

| Nr katalog.<br>Reference | $\frac{\text{Kg}}{\text{m}}$ |
|--------------------------|------------------------------|
| 2904620                  | 0,035                        |



Hak z oczkiem tworzą A.  
*Hook form A.*

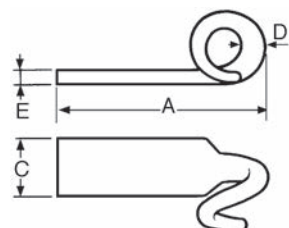
| Nr katalog.<br>Reference | $\frac{\text{Kg}}{\text{m}}$ | P.T.R<br>T.T.W |
|--------------------------|------------------------------|----------------|
| 2904476DR                | 1,5                          | 6              |
| 2904476GA                | 1,5                          | 6              |



**AKCESORIA I CZĘŚCI ZAMIENNE - SPARE PARTS AND ACCESSORIES**

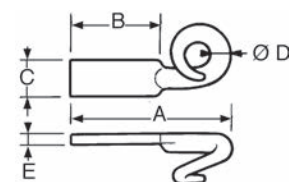

Hak z oczkiem tworzą B.  
Hook form B.

| Nr katalog.<br>Reference | $\Delta$ Kg | A<br>(mm) | Ø D<br>(mm) | P.T.R<br>T.T.W |
|--------------------------|-------------|-----------|-------------|----------------|
| 2904469DR                | 0,16        | 100       | 12          | 0,75           |
| 2904469GA                | 0,16        | 100       | 12          | 0,75           |
| 2904470DR                | 0,32        | 120       | 18          | 1,25           |
| 2904470GA                | 0,32        | 120       | 18          | 1,25           |



Hak z oczkiem tworzą C.  
Hook form C.

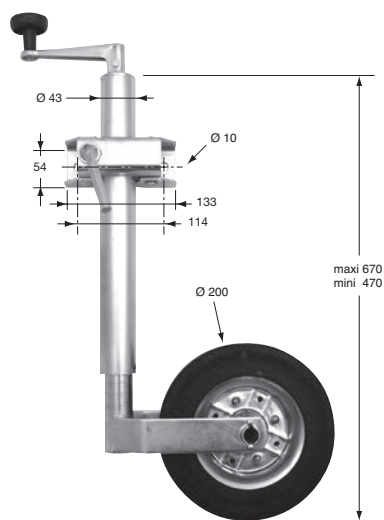
| Nr katalog.<br>Reference | $\Delta$ Kg | A<br>(mm) | C<br>(mm) | E<br>(mm) | Ø D<br>(mm) | P.T.R<br>T.T.W |
|--------------------------|-------------|-----------|-----------|-----------|-------------|----------------|
| 2904466DR                | 0,2         | 95        | 30        | 8         | 13          | 0,75           |
| 2904466GA                | 0,2         | 95        | 30        | 8         | 13          | 0,75           |
| 2904467DR                | 0,5         | 135       | 40        | 10        | 16          | 0,5            |
| 2904467GA                | 0,5         | 135       | 40        | 10        | 16          | 0,5            |



Hak z oczkiem tworzą D.  
Hook form D.

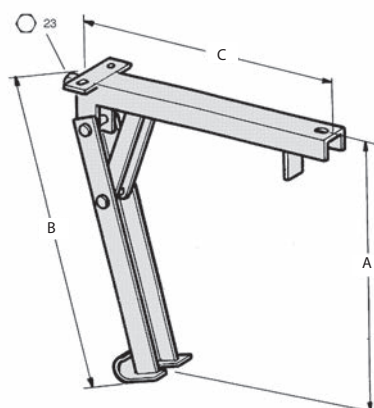
| Nr katalog.<br>Reference | $\Delta$ Kg | A<br>(mm) | B<br>(mm) | C<br>(mm) | E<br>(mm) | Ø D<br>(mm) | P.T.R<br>T.T.W |
|--------------------------|-------------|-----------|-----------|-----------|-----------|-------------|----------------|
| 2904463DR                | 0,1         | 90        | 50        | 20        | 5         | 10          | 0,5            |
| 2904463GA                | 0,1         | 90        | 50        | 20        | 5         | 10          | 0,5            |
| 2904464DR                | 0,16        | 110       | 60        | 24        | 6         | 12          | 0,75           |
| 2904464GA                | 0,16        | 110       | 60        | 24        | 6         | 12          | 0,75           |
| 2904465DR                | 0,38        | 145       | 80        | 32        | 8         | 16          | 1,25           |
| 2904465GA                | 0,38        | 145       | 80        | 32        | 8         | 16          | 1,25           |

1 AKCESORIA I CZĘŚCI ZAMIENNE - SPARE PARTS AND ACCESSORIES



Kółko stabilizujące teleskopowe, stal cynkowana  
Maksymalne obciążenie na wysięgniku 200 kg.  
*Telescopic prop wheel zinc plated steel, maximum load on  
towing hook 200 kg.*

| Nr katalog.<br>Reference | Kg   |
|--------------------------|------|
| 2944814                  | 4,17 |



Stabilizator pokryty galwanicznie.  
*Galvanized prop ram.*

| Nr katalog.<br>Reference | Kg   | A<br>(mm) | B<br>(mm) | C<br>(mm) | Zakończyć<br>Finish             |
|--------------------------|------|-----------|-----------|-----------|---------------------------------|
| 2944810                  | 1,9  | 370       | 355       | 240       | Ocynkowany<br><i>Galvanized</i> |
| 2944811                  | 2,9  | 412       | 380       | 360       | Ocynkowany<br><i>Galvanized</i> |
| 2944812                  | 3,17 | 455       | 420       | 360       | Ocynkowany<br><i>Galvanized</i> |

## ZDERZAKI TYLNE

Poziome, stałe, pochylone/podniesione, specjalne, różne

## UNDERRUN BAR

Horizontal, fixed, tilted/elevating, special, others





## JAK OKREŚLIĆ LOKALIZACJĘ BELKI ZABEZPIEZAJĄCEJ ? - *HOW IS AN UNDERRUN BAR DETERMINED ?*

2

Belka zabezpieczająca musi chronić przed wjechaniem pojazdu pod tylną część przyczepy, naczepy lub platformy. Belka musi znajdować się zawsze w pozycji dolnej podczas jazdy po drogach publicznych.

We wszystkich przypadkach, w pozycji dolnej, belka musi znajdować się 550 mm od nawierzchni, przy pomiarze maksymalnym wykonanym na pojeździe bez obciążenia. Patrz wymiar "H" poniżej.

Każda belka ma wymiar nazywany wymiarem ochronnym, który jest zależny od danego modelu. Ten wymiar ochronny jest odległością maksymalną w poziomie między rurą belki zabezpieczającej i końcem wyposażenia. Wymiar «P» na rysunku poniżej.

Aby wybrać model, należy skorzystać z tabeli wymiarów A i B i sprawdzić przestrzeganie wymiaru ochronnego «P».

Belki zabezpieczające są dostarczane z instrukcją montażu, instrukcje podają warunki montażu, wymiary i jakość śrub oraz związane z nimi dane techniczne. Spawanie na podwoziu jest zabronione.

★ I/V jest modułem sztywności podłużnic, wyrażonym w  $\text{cm}^3$ , ten moduł sztywności zmienia się w zależności od danej referencji. Mechanik nadwoziowy musi sprawdzić, czy podłużnica spełnia wymogi minimalne dla tej wartości.

Mechanik nadwoziowy lub instalator musi przekazać kierowcy lub właścicielowi pojazdu instrukcje montażu i obsługi dostarczone z produktem w celu zapewnienia prawidłowego użytkowania zainstalowanego wyposażenia. W zależności od wyposażenia, mechanik nadwoziowy musi zamontować urządzenia takie, jak kontrolka lub naklejka w kabinie w celu ułatwienia kierowcy prawidłowego użytkowania produktów.

**Nasze produkty są Zgodne z Dyrektywą Europejską 70/221/EWG,  
97/19/EWG, 2000/8, 2006/20, R58.**

**W niektórych przypadkach, będziemy zmuszeni do zmodyfikowania wymiarów naszych elementów.**

*The underrun bar must prevent a vehicle from crashing under the rear of a trailer, articulated trailer or truck. It must always be located in the low position when the vehicle is driven on public roads.*

*In all cases, in the low position, the bar must be a maximum of 550 mm from the ground, measured with the vehicle unloaded. See dimension "H" below.*

*Each bar has a protection dimension that varies from one model to another. This protection dimension is the maximum horizontal distance between the tube of the underrun bar and the end of the equipment. Dimension "P" on the figure below.*

*To select your model, enter dimensions A and B in the picture and then validate that protection dimension "P" is respected.*

*Overrun bars are supplied with fitting instructions. These instructions specify the fitting and assembly conditions along with the dimensions, screw quality and associated specifications. **Welding to the chassis is forbidden.***

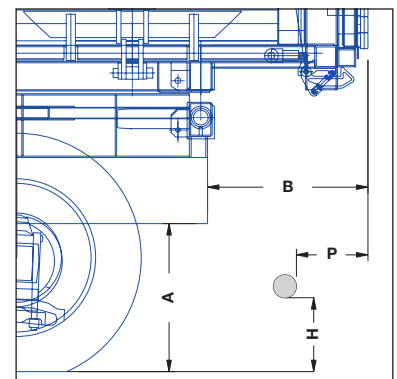
*I/V is the modulus of rigidity for the side rails, expressed in  $\text{cm}^3$ . This modulus of rigidity varies according to the references. The bodybuilder must check if the side rail at least respects this value.*

*The bodybuilder or installer must give the fitting and operating instructions supplied with the products to the driver or owner in*

★ *order to ensure that the installed equipment is used correctly. Based on the equipment, the bodybuilder must implement devices such as an indicator lamp or sticker in the cab to help the driver to use the products correctly.*

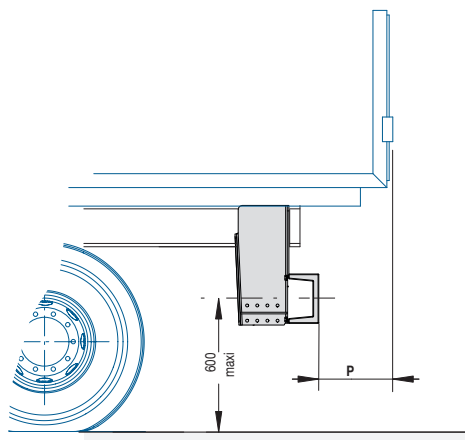
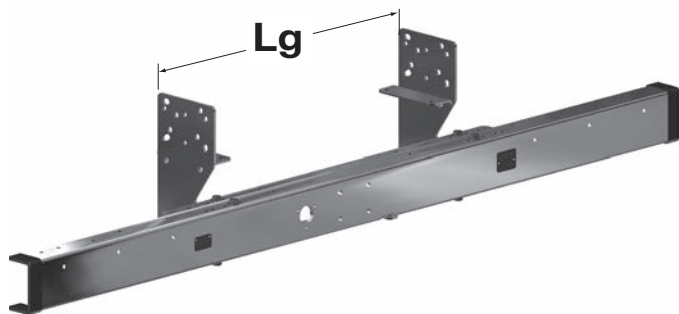
**Our products are in accordance to E.E.C.  
standard 70/221/CCE, 97/19/CCE, 2000/8, 2006/20, R58.**

**In some cases, we may change the dimensions of our components.**



ZDERZAK STAŁY - **FIXED URB**

2

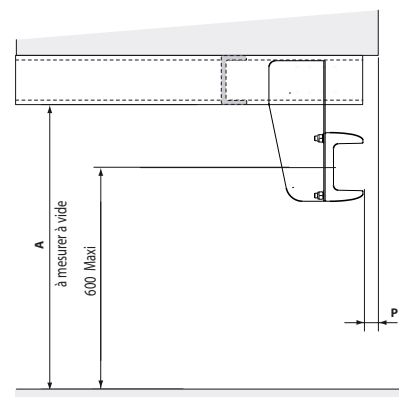
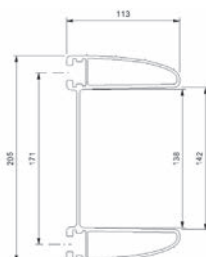
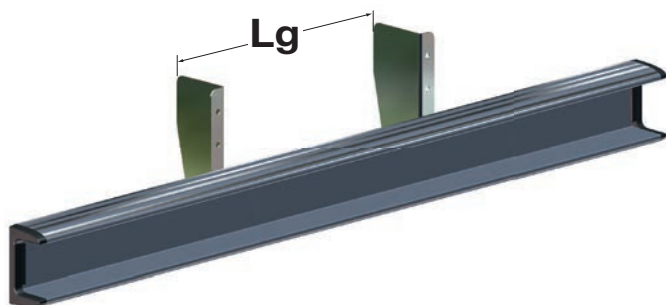


BA 3T5 Zderzak tylny stalowy z integrowaną poprzeczką pod hak.  
*BA 3T5 Steel underrun bar integrated drawbar.*

ECE  
R 55

ECE  
R 58

| Lg        | I/V<br>mini | P   | Kg | Nr katalog.<br>Reference |
|-----------|-------------|-----|----|--------------------------|
| 662 > 862 | 30          | 320 | 24 | 2905612                  |



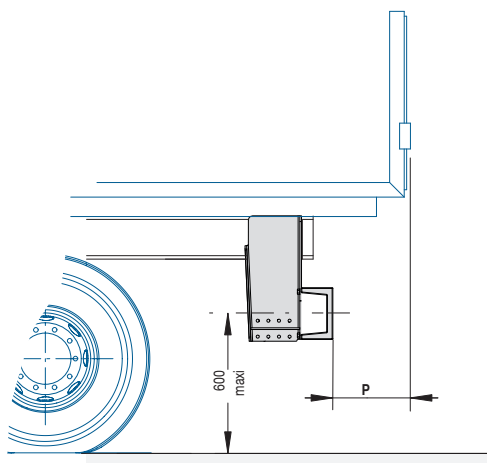
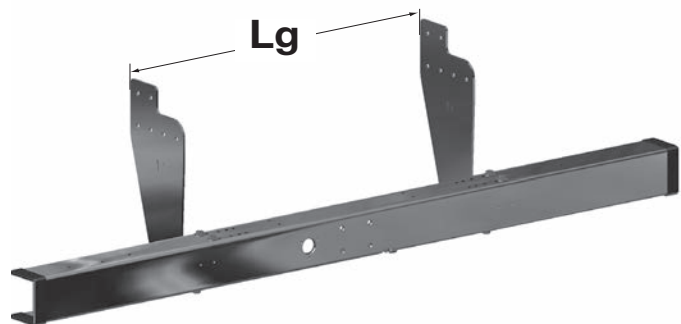
BA ALU /2 3T5 Zderzak tylny aluminiowy z możliwością montażu świateł.  
*BA ALU /2 3T5 Aluminium underrun bar light support integrated.*

ECE  
R 58

| Lg         | I/V<br>mini | A   | P   | Kg | Nr katalog.<br>Reference |
|------------|-------------|-----|-----|----|--------------------------|
| 700 > 1320 | 30          | 770 | 380 | 41 | 2909422                  |

**ZDERZAK STAŁY - *FIXED URB***


2

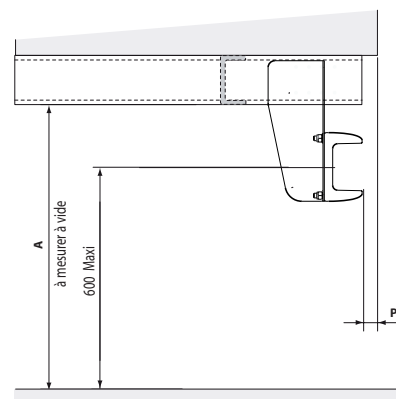
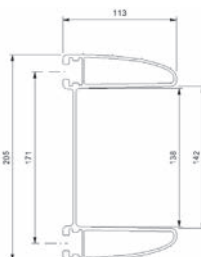
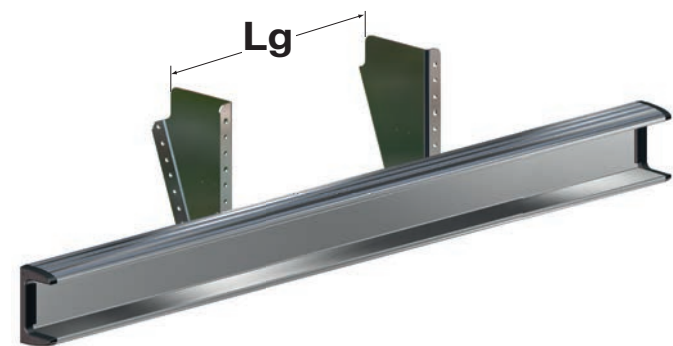


BA 7T5 Zderzak tylny stalowy z integrowaną poprzeczką pod hak.  
*BA 7T5 Steel underrun bar integrated drawbar.*

ECE  
R 55

ECE  
R 58

| Lg        | I/V mini | P   |  Kg | Nr katalog.<br>Reference |
|-----------|----------|-----|--|--------------------------|
| 662 > 862 | 30       | 362 | 34   | 2903612                  |



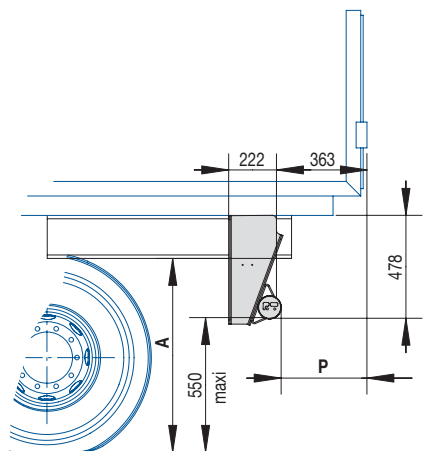
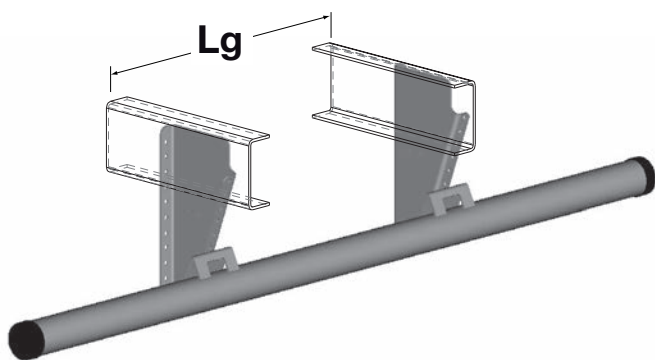
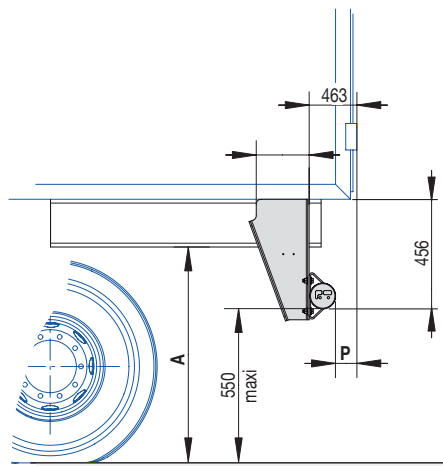
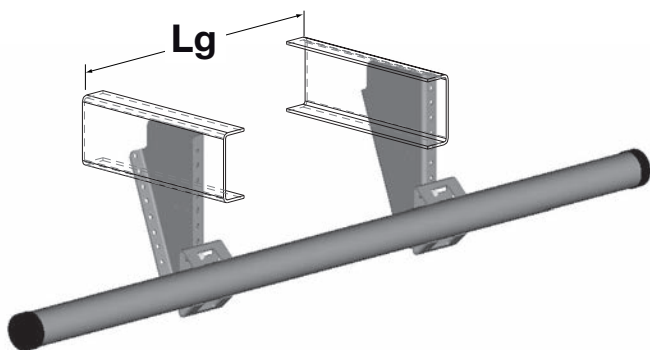
BA ALU /1 7T5 Zderzak tylny aluminiowy z możliwością montażu świateł.  
*BA ALU /1 7T5 Aluminium underrun bar light support integrated.*

ECE  
R 58

| Lg         | I/V mini | A   | P   |  Kg | Nr katalog.<br>Reference |
|------------|----------|-----|-----|--|--------------------------|
| 700 > 1320 | 48       | 770 | 358 | 45   | 2909425                  |

ZDERZAK STAŁY - *FIXED URB*

2



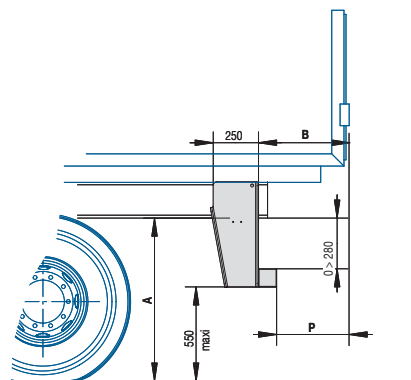
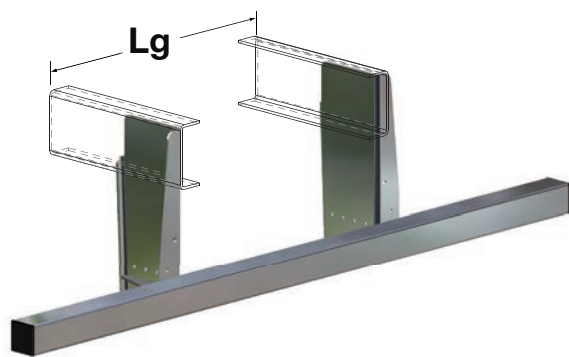
BAEG Zderzak tylny stalowy, rurowy Ø 100.  
 BAEG Steel profile Ø 100 underrun bar.

ECE  
 R 58

| Lg        | I/V<br>mini | A   | P   | $\frac{\circ}{Kg}$ | Nr katalog.<br>Reference |
|-----------|-------------|-----|-----|--------------------|--------------------------|
| 750 > 900 | 80          | 860 | 363 | 39                 | 2906406                  |

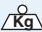


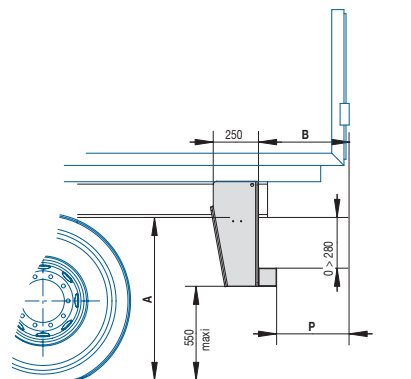
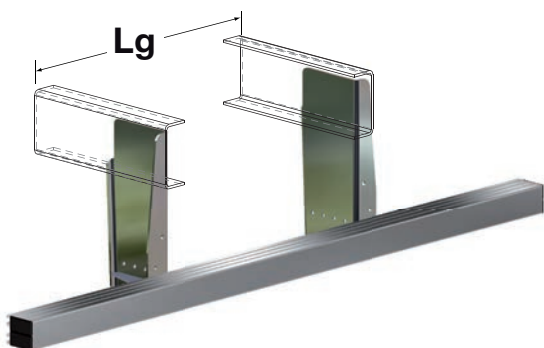
### ZDERZAK STAŁY - *FIXED URB*



BAP Zderzak tylny stalowy, kwadrat 100 x 100.  
*BAP Steel underrun bar square section 100 x 100.*


ECE  
R 58

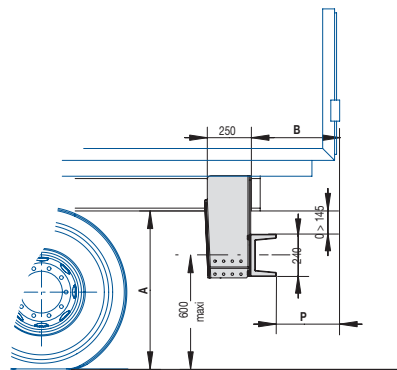
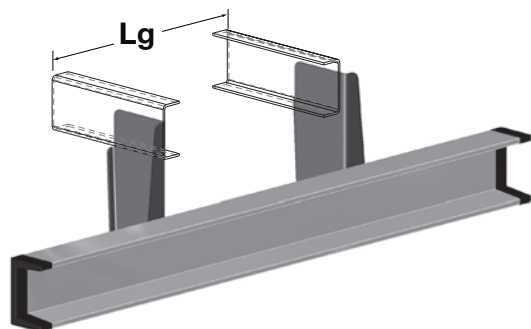
| Lg        | I/V mini | A         | B   | P   |  | Nr katalog.<br><i>Reference</i> |
|-----------|----------|-----------|-----|-----|---|---------------------------------|
| 700 > 900 | 160      | 580 > 950 | 421 | 321 | 61  | <b>2909402</b>                  |



BAP Zderzak tylny aluminiowy, profil 120 x H100.  
*BAP Aluminium profile 120 x H100 underrun bar.*


ECE  
R 58

| Lg        | I/V mini | A         | B   | P   |  | Nr katalog.<br><i>Reference</i> |
|-----------|----------|-----------|-----|-----|---|---------------------------------|
| 700 > 900 | 160      | 580 > 950 | 392 | 296 | 49  | <b>2909403</b>                  |



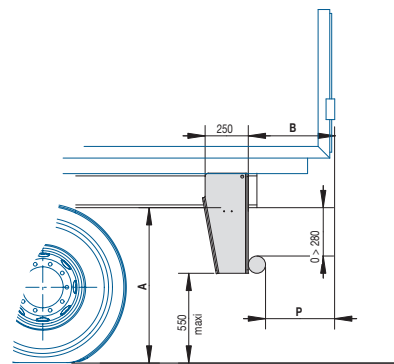
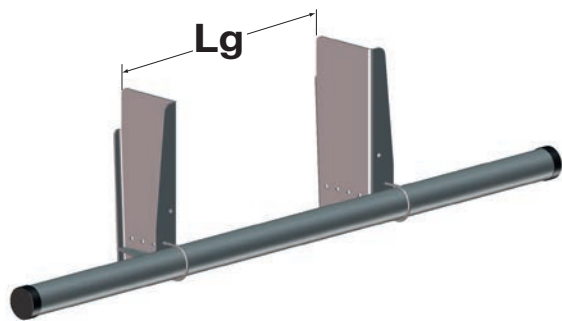
BAP Zderzak tylny aluminiowy, profil 145 x H240.  
*BAP Aluminium profile 145 x H240 underrun bar.*

ECE  
R 58

| Lg        | I/V mini | A         | B   | P   |  | Nr katalog.<br><i>Reference</i> |
|-----------|----------|-----------|-----|-----|---|---------------------------------|
| 700 > 900 | 160      | 580 > 880 | 449 | 304 | 49  | <b>29.09420</b>                 |

ZDERZAK STAŁY - **FIXED URB**

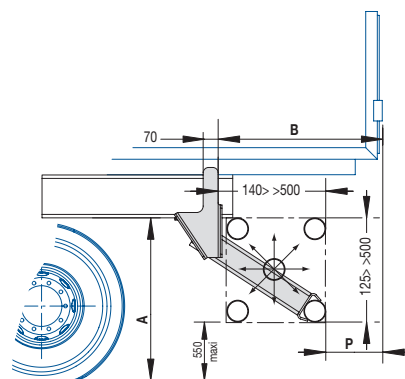
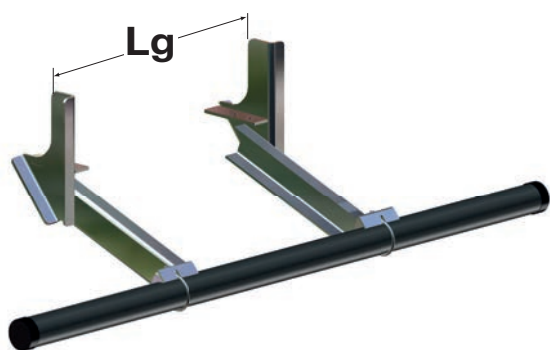
2



BAP Zderzak tylny stalowy, rurowy Ø 100.  
 BAP Steel profile Ø 100 underrun bar.

ECE  
R 58

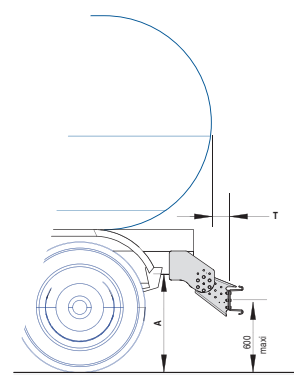
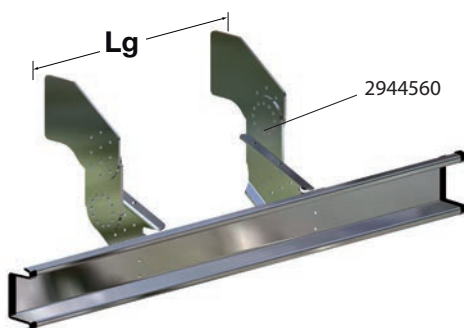
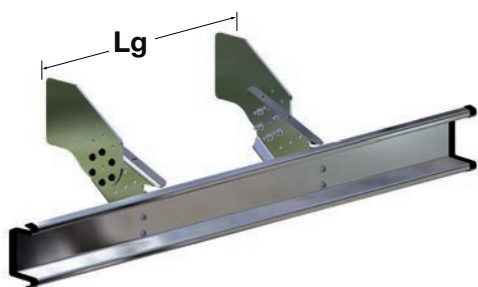
| Lg        | I/V mini | A         | B   | P   | $\Delta$ Kg | Nr katalog. Reference |
|-----------|----------|-----------|-----|-----|-------------|-----------------------|
| 700 > 900 | 160      | 580 > 950 | 421 | 321 | 60          | 2909421               |



BAI Zderzak tylny stalowy, rurowy Ø 100.  
 BAI Steel profile Ø 100 underrun bar.

ECE  
R 58

| Lg        | I/V mini | A         | B   | P   | $\Delta$ Kg | Nr katalog. Reference |
|-----------|----------|-----------|-----|-----|-------------|-----------------------|
| 750 > 920 | 160      | 580 > 916 | 785 | 333 | 63,5        | 2909404               |

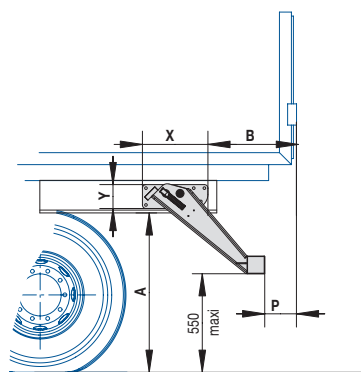
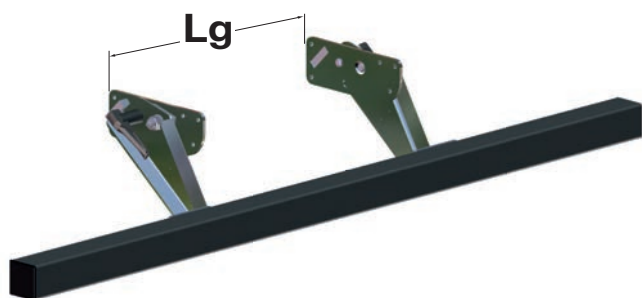


BAV Zderzak tylny stal nierdzewna z możliwością montażu świateł 115 x H250.  
 BAV Stainless steel underrun bar light support integrated 115 x H250.

ECE  
R 58

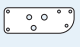

| Lg        | I/V mini | A   | P   | $\Delta$ Kg | T   | Nr katalog. Reference |
|-----------|----------|-----|-----|-------------|-----|-----------------------|
| 700 > 900 | 160      | 800 | 319 | 64          | 100 | 2909408               |
| 700 > 900 | 160      | 950 | 363 | 74          | 100 | 2909408 + 2944560     |

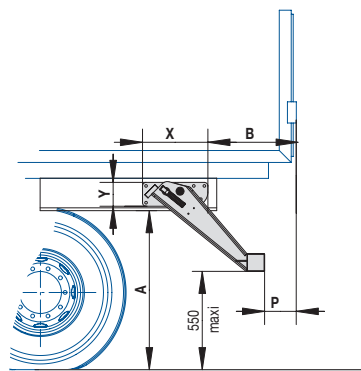
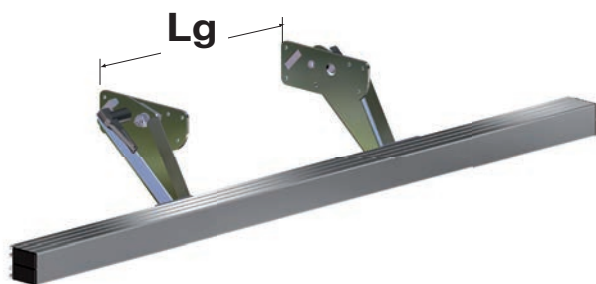
ZDERZAK TYLNY WYSUWANY PODNOSZONY RĘCZNIE - *MANUAL ELEVATING URB*



BA Zderzak tylny stalowy, kwadrat 100 x 100, wsporniki krótkie.  
*BA Steel underrun bar square section 100 x 100 short arms.*

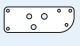



| Lg        | I/V mini |  | X   | Y   | A         | B   | P   |  | Nr katalog. Reference |
|-----------|----------|---|-----|-----|-----------|-----|-----|---|-----------------------|
| 750 > 900 | 160      | B   | 370 | 135 | 580 > 860 | 463 | 319 | 59  | 2909410               |



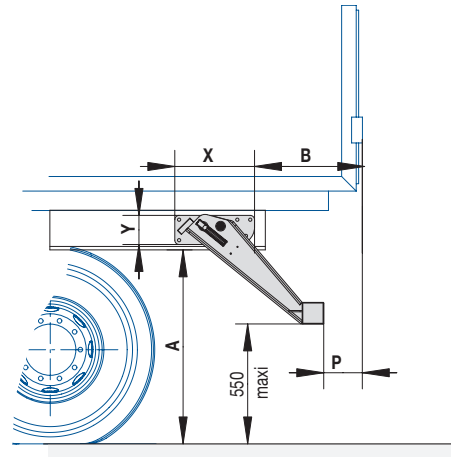
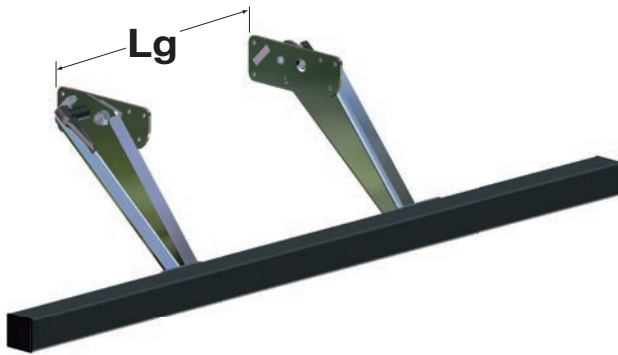
BA Zderzak tylny aluminiowy, profil 120 x H100, wsporniki krótkie.  
*BA Aluminium profile underrun bar 120 x H100 short arms.*



| Lg        | I/V mini |  | X   | Y   | A         | B   | P   |  | Nr katalog. Reference |
|-----------|----------|---|-----|-----|-----------|-----|-----|---|-----------------------|
| 750 > 900 | 160      | B   | 370 | 135 | 580 > 680 | 414 | 251 | 47  | 2909411               |

ZDERZAK TYLNY WYSUWANY PODNOSZONY RĘCZNIE - *MANUAL ELEVATING URB*

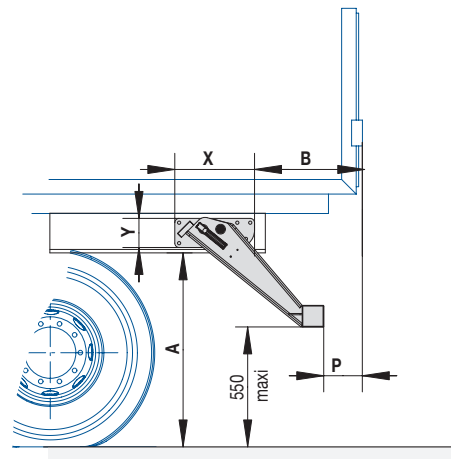
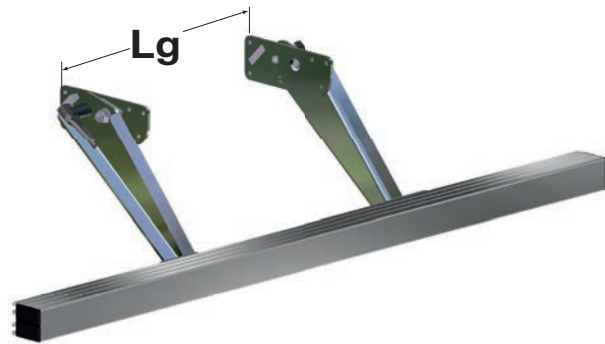
2



BA Zderzak tylny stalowy, kwadrat 100 x 100, wsporniki długie, płyta B.  
 BA Steel underrun bar square section 100 x 100 long arms B plate.

ECE  
R 58

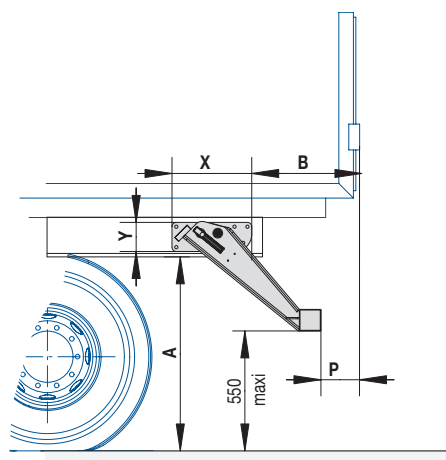
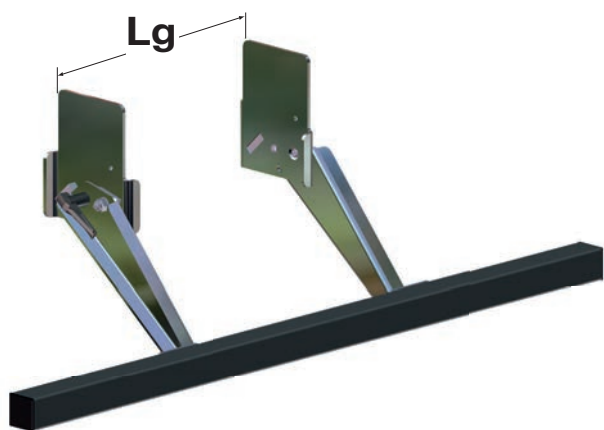
| Lg        | I/V mini |   | X   | Y   | A         | B   | P   |    | Nr katalog. Reference |
|-----------|----------|---|-----|-----|-----------|-----|-----|----|-----------------------|
| 750 > 900 | 160      | B | 370 | 135 | 680 > 870 | 648 | 319 | 66 | 2909412               |



BA Zderzak tylny aluminiowy, profil 120 x H100, wsporniki długie, płyta B.  
 BA Aluminium profile underrun bar 120 x H100 long arms B plate.

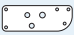
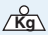
ECE  
R 58

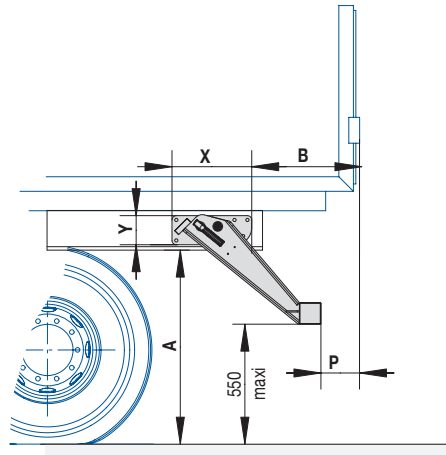
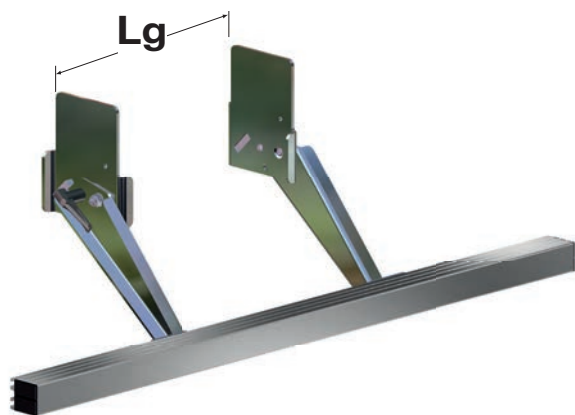
| Lg        | I/V mini |   | X   | Y   | A         | B   | P   |    | Nr katalog. Reference |
|-----------|----------|---|-----|-----|-----------|-----|-----|----|-----------------------|
| 750 > 900 | 160      | B | 370 | 135 | 680 > 870 | 600 | 251 | 54 | 2909413               |

**ZDERZAK TYLNY WYSUWANY PODNOSZONY RĘCZNIE - *MANUAL ELEVATING URB***


BA Zderzak tylny stalowy, kwadrat 100 x 100, wsporniki długie, płyta S.  
*BA Steel underrun bar square section 100 x 100 long arms S plate.*

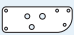
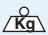
**ECE  
R 58**

| Lg        | I/V mini |  | X   | Y   | A          | B   | P   |  | Nr katalog. Reference |
|-----------|----------|---|-----|-----|------------|-----|-----|---|-----------------------|
| 750 > 900 | 160      | S   | 318 | 395 | 870 > 1070 | 748 | 319 | 81  | <b>2909414</b>        |



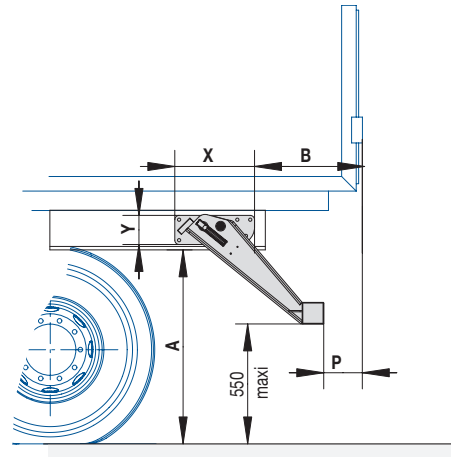
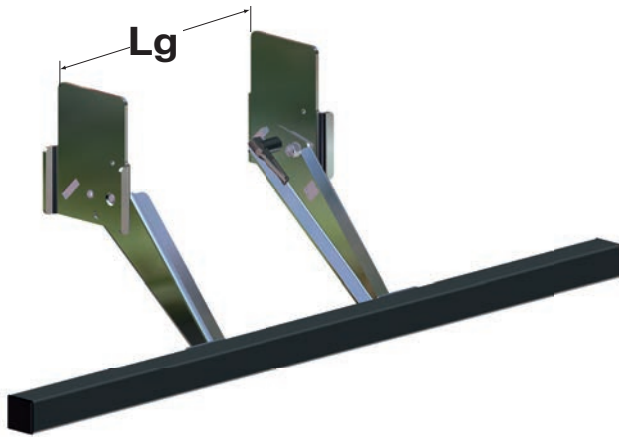
BA Zderzak tylny aluminiowy, profil 120 x H100, wsporniki długie, płyta S.  
*BA Aluminium profile underrun bar 120 x H100 long arms S plate.*

**ECE  
R 58**

| Lg        | I/V mini |  | X   | Y   | A          | B   | P   |  | Nr katalog. Reference |
|-----------|----------|---|-----|-----|------------|-----|-----|---|-----------------------|
| 750 > 900 | 160      | S   | 318 | 395 | 870 > 1070 | 700 | 251 | 69  | <b>2909415</b>        |

ZDERZAK TYLNY WYSUWANY PODNOSZONY RĘCZNIE - *MANUAL ELEVATING URB*

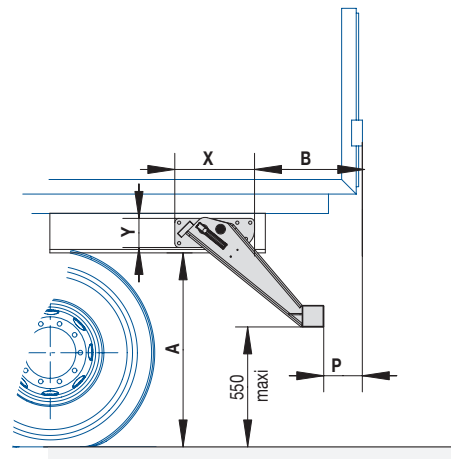
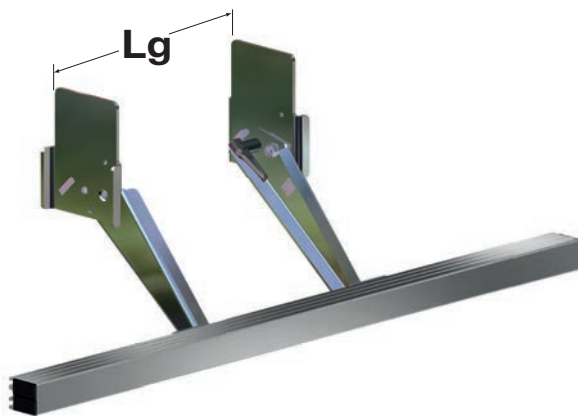
2



BA Zderzak tylny stalowy, kwadrat 100 x 100, wsporniki długie, płyta U.  
 BA Steel underrun bar square section 100 x 100 long arms U plate.

ECE  
R 58

| Lg        | I/V mini |   | X   | Y   | A          | B   | P   |    | Nr katalog. Reference |
|-----------|----------|---|-----|-----|------------|-----|-----|----|-----------------------|
| 750 > 900 | 160      | U | 318 | 395 | 870 > 1070 | 748 | 282 | 82 | 2909416               |

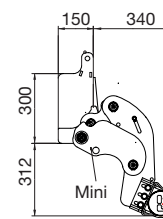
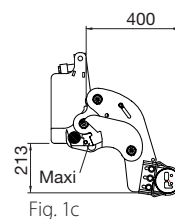
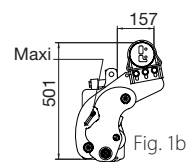
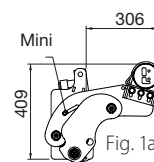
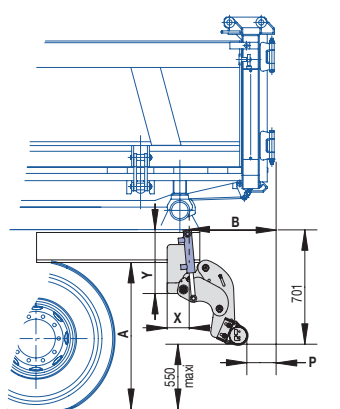
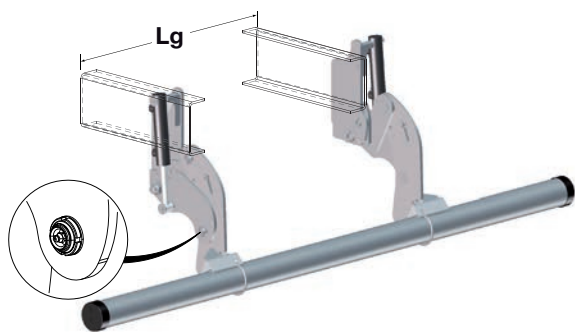


BA Zderzak tylny aluminiowy, profil 120 x H100, wsporniki długie, płyta U.  
 BA Aluminium profile underrun bar 120 x H100 long arms U plate.

ECE  
R 58

| Lg        | I/V mini |   | X   | Y   | A          | B   | P   |    | Nr katalog. Reference |
|-----------|----------|---|-----|-----|------------|-----|-----|----|-----------------------|
| 750 > 900 | 160      | U | 318 | 395 | 870 > 1070 | 700 | 251 | 70 | 2909417               |

## ZDERZAK TYLNY WYSUWANY PODNOSZONY HYDRAULICZNIE - *HYDRAULIC ELEVATING URB*

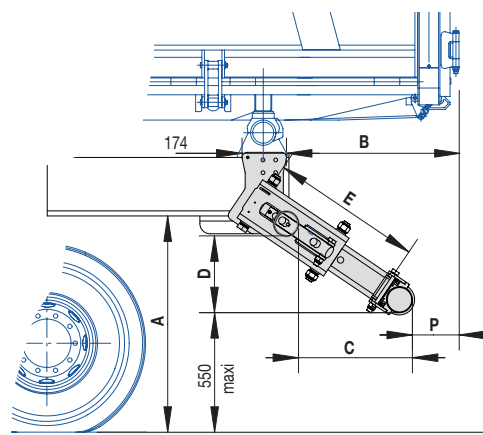
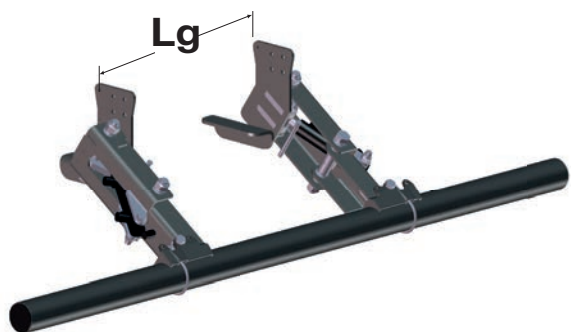


HIDDEN-UP Zderzak tylny stalowy, rurowy Ø 100.  
*HIDDEN-UP Steel profile Ø 100 underrun bar.*



| Lg        | I/V mini | X   | Y   | A   | B   | P   |    | Nr katalog. Reference | Fig. |
|-----------|----------|-----|-----|-----|-----|-----|----|-----------------------|------|
| 750 > 900 | 160      | 150 | 300 | -   | -   | -   | 98 | 2909450               | 1a   |
| 750 > 900 | 160      | 150 | 300 | -   | -   | -   | 98 | 2909450               | 1b   |
| 750 > 900 | 160      | 150 | 300 | 850 | 737 | 337 | 98 | 2909450               | 1c   |
| 750 > 900 | 160      | 150 | 300 | 950 | 677 | 337 | 98 | 2909450               | 1d   |

## ZDERZAK TYLNY WYSUWANY POCHYLONY - *ANGLE RETRACTABLE URB*



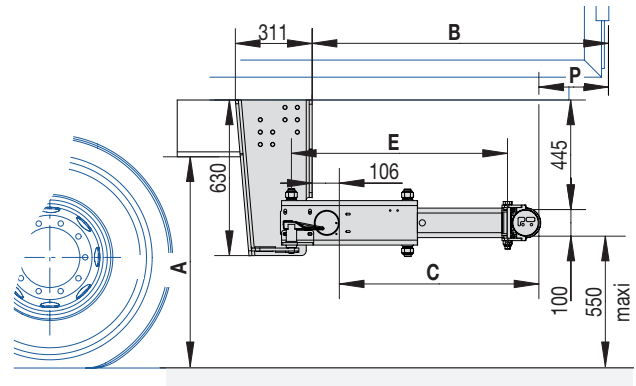
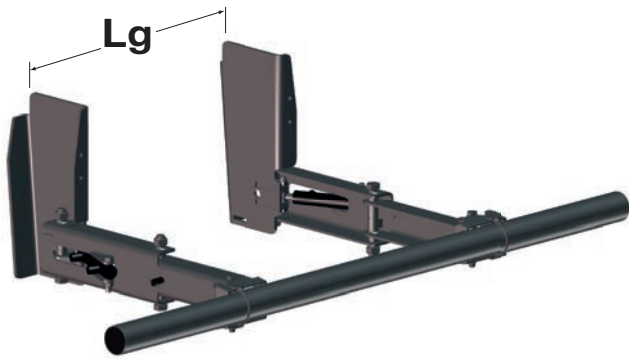
BAB Zderzak tylny stalowy, rurowy Ø 100, wsporniki krótkie.  
*BAB Steel profile Ø 100 underrun bar.*



| Lg        | I/V mini | A    | B   | E   | P   |    | Wersja Version         | Nr katalog. Reference |
|-----------|----------|------|-----|-----|-----|----|------------------------|-----------------------|
| 750 > 900 | 160      | 996  | 807 | 465 | 328 | 98 | Manualny Manual        | 2909437               |
| 750 > 900 | 160      | 996  | 807 | 465 | 328 | 98 | Hydrauliczny Hydraulic | 2911437               |
| 750 > 900 | 160      | 1000 | 927 | 595 | 328 | 98 | Manualny Manual        | 2909435               |
| 750 > 900 | 160      | 1000 | 927 | 595 | 328 | 98 | Hydrauliczny Hydraulic | 2911435               |

ZDERZAK TYLNY WYSUWANY POZIOMY - *HORIZONTAL RETRACTABLE URB*

2



BAB Zderzak tylny stalowy, rurowy Ø 100, wsporniki krótkie.  
 BAB Steel profile Ø 100 underrun bar.

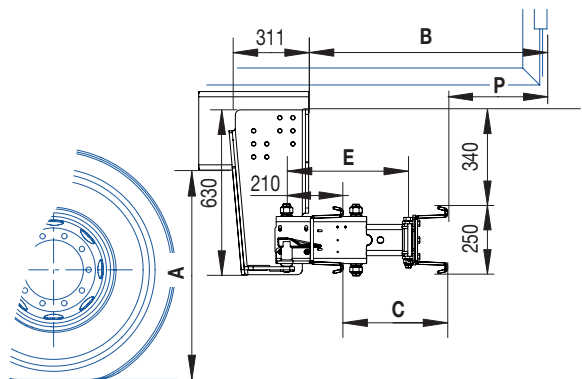
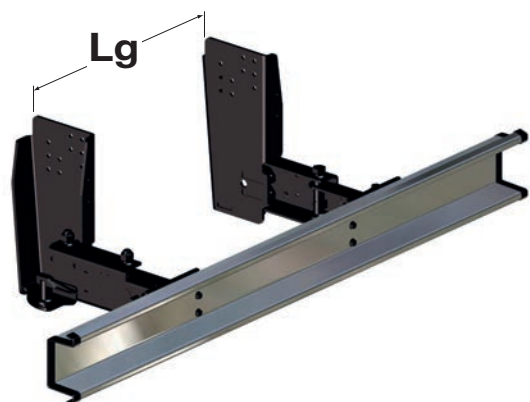
ECE  
R 58

| Lg        | I/V<br>mini | A   | B    | C    | E     | P   | $\frac{\sigma}{Kg}$ | Wersja<br>Version         | Nr katalog.<br>Reference |
|-----------|-------------|-----|------|------|-------|-----|---------------------|---------------------------|--------------------------|
| 750 > 900 | 160         | 880 | 834  | 400  | 465   | 328 | 133                 | Manualny<br>Manual        | 2909432                  |
| 750 > 900 | 160         | 880 | 834  | 400  | 465   | 328 | 133                 | Hydrauliczny<br>Hydraulic | 2911432                  |
| 750 > 900 | 160         | 880 | 964  | 530  | 595   | 328 | 141                 | Manualny<br>Manual        | 2909431                  |
| 750 > 900 | 160         | 880 | 964  | 530  | 595   | 328 | 141                 | Hydrauliczny<br>Hydraulic | 2911431                  |
| 750 > 900 | 160         | 880 | 1244 | 810  | 875   | 328 | 149                 | Manualny<br>Manual        | 2909433                  |
| 750 > 900 | 160         | 880 | 1244 | 810  | 875   | 328 | 149                 | Hydrauliczny<br>Hydraulic | 2911433                  |
| 750 > 900 | 160         | 880 | 1524 | 1090 | 1 155 | 328 | 160                 | Manualny<br>Manual        | 2909430                  |
| 750 > 900 | 160         | 880 | 1524 | 1090 | 1 155 | 328 | 160                 | Hydrauliczny<br>Hydraulic | 2911430                  |
| 750 > 900 | 160         | 880 | 1654 | 1220 | 1 285 | 328 | 173                 | Hydrauliczny<br>Hydraulic | 2911434                  |



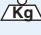
ZDERZAK TYLNY WYSUWANY POZIOMY - *HORIZONTAL RETRACTABLE URB*

2



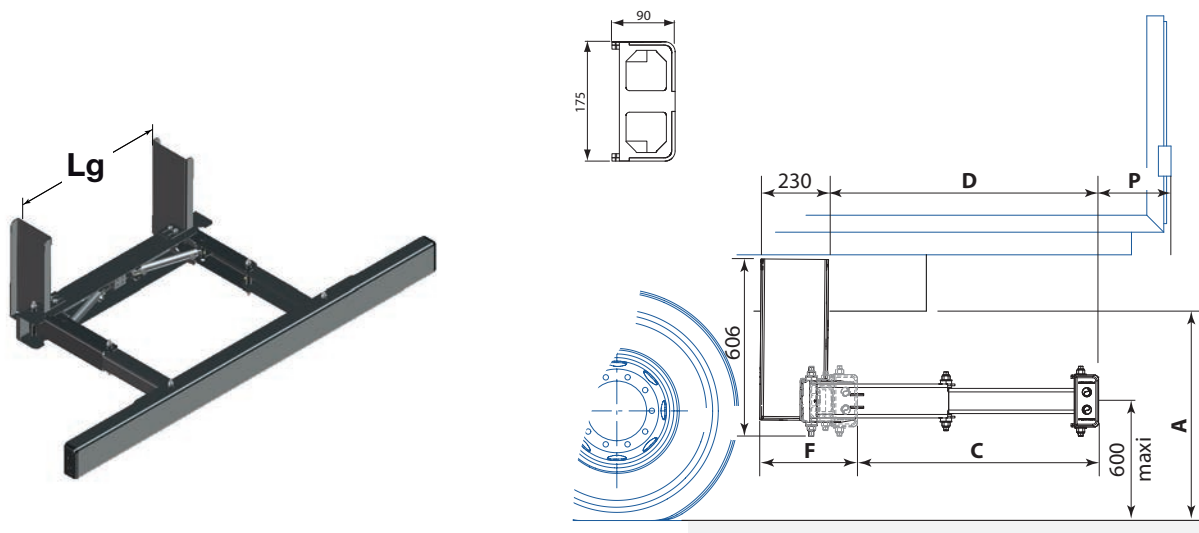
BAV Zderzak tylny stal nierdzewna.  
*BAB Stainless steel profile underrun bar.*

ECE  
R 58

| Lg        | I/V mini | A   | B    | C    | E     | P   |  | Wersja<br><i>Version</i>         | Nr katalog.<br><i>Reference</i> |
|-----------|----------|-----|------|------|-------|-----|--|----------------------------------|---------------------------------|
| 750 > 900 | 160      | 880 | 867  | 548  | 465   | 319 | 135  | Manualny<br><i>Manual</i>        | 2912432                         |
| 750 > 900 | 160      | 880 | 867  | 548  | 465   | 319 | 135  | Hydrauliczny<br><i>Hydraulic</i> | 2912432HY                       |
| 750 > 900 | 160      | 880 | 977  | 658  | 595   | 319 | 143  | Manualny<br><i>Manual</i>        | 2912431                         |
| 750 > 900 | 160      | 880 | 977  | 658  | 595   | 319 | 143  | Hydrauliczny<br><i>Hydraulic</i> | 2912431HY                       |
| 750 > 900 | 160      | 880 | 1257 | 938  | 875   | 319 | 151  | Manualny<br><i>Manual</i>        | 2912433                         |
| 750 > 900 | 160      | 880 | 1257 | 938  | 875   | 319 | 151  | Hydrauliczny<br><i>Hydraulic</i> | 2912433HY                       |
| 750 > 900 | 160      | 880 | 1537 | 1218 | 1 155 | 319 | 162  | Manualny<br><i>Manual</i>        | 2912430                         |
| 750 > 900 | 160      | 880 | 1537 | 1218 | 1 155 | 319 | 162  | Hydrauliczny<br><i>Hydraulic</i> | 2912430HY                       |
| 750 > 900 | 160      | 880 | 1666 | 1347 | 1 285 | 319 | 175  | Hydrauliczny<br><i>Hydraulic</i> | 2912434HY                       |

ZDERZAK TYLNY WYSUWANY POZIOMY - **HORIZONTAL RETRACTABLE URB**

2



Belka tylna zabezpieczająca przed wjechaniem wysuwana XPAND ze zderzakiem aluminiowym automatycznie spawanym. Zderzak tylny hydrauliczny wysuwany. Wykończenie ze światłem odblaskowym.

Dostarczony z zainstalowanym zaworem sterowania. Opcja: wmontowane czujniki końca skoku.

Zderzak do montażu świateł automatycznie spawany (w formie „U”) pozwala na zamocowanie tablicy odblaskowej, oferuje minimalne wymiary zewnętrzne

*XPAND retractable underrun bar with a fabricated U profile in steel.*

*Retractable hydraulic URB. KTL finishing. Delivered assembled with Hydraulic. Option: limit switch sensors assembled.*

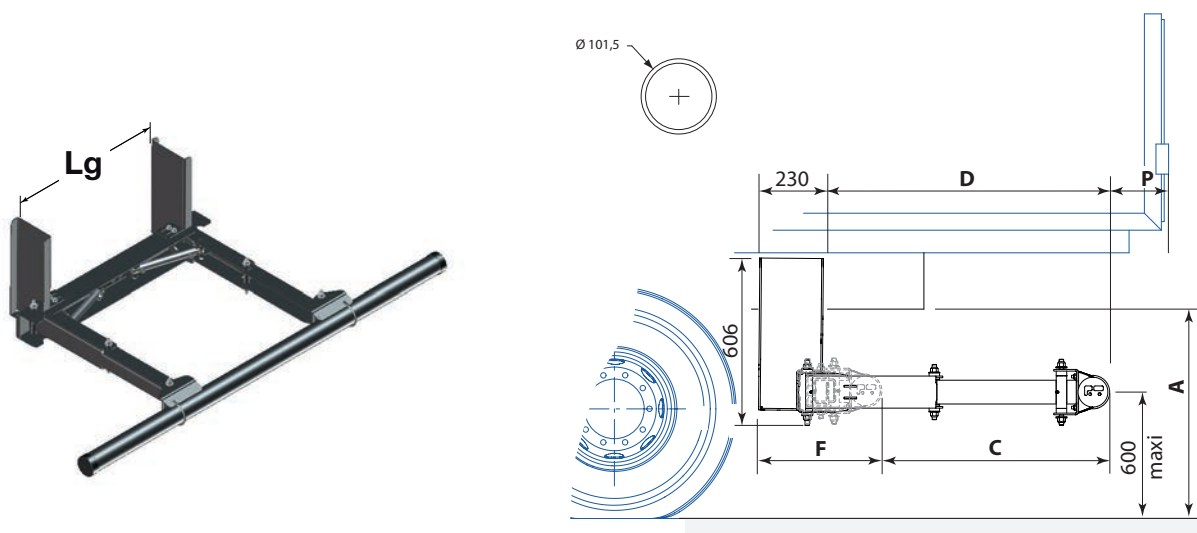
*The fabricated U profile is the solution for the lowest volume. It is possible to fix reflective plates on the profile.*



| Lg         | I / V<br>mini | A<br>maxi | C    | D    | F   | P   | Czujniki<br>Sensors | ⚖️<br>Kg | Nr katalog.<br>Reference |
|------------|---------------|-----------|------|------|-----|-----|---------------------|----------|--------------------------|
| 750 -> 900 | 160           | 905       | 405  | 506  | 331 | 358 |                     | 111      | 2920432                  |
| 750 -> 900 | 160           | 905       | 405  | 506  | 331 | 358 | x                   | 111      | 2920432DM                |
| 750 -> 900 | 160           | 905       | 555  | 656  | 331 | 358 |                     | 115      | 2920431                  |
| 750 -> 900 | 160           | 905       | 555  | 656  | 331 | 358 | x                   | 115      | 2920431DM                |
| 750 -> 900 | 160           | 905       | 825  | 926  | 331 | 358 |                     | 122      | 2920433                  |
| 750 -> 900 | 160           | 905       | 825  | 926  | 331 | 358 | x                   | 122      | 2920433DM                |
| 750 -> 900 | 160           | 905       | 1105 | 1206 | 331 | 358 |                     | 129      | 2920430                  |
| 750 -> 900 | 160           | 905       | 1105 | 1206 | 331 | 358 | x                   | 129      | 2920430DM                |

ZDERZAK TYLNY WYSUWANY POZIOMY - *HORIZONTAL RETRACTABLE URB*

2



Belka tylna zabezpieczająca przed wjechaniem wysuwana XPAND ze zderzakiem rurowym okrągłym.

Zderzak tylny wysuwany hydraulicznie. Wykończenie ze światłem odblaskowym.

Dostarczony z zainstalowanym zaworem sterowania. Opcja: wmontowane czujniki końca skoku.

Okrągły kształt zderzaka powoduje, że nie zatrzymuje się na nim piasek ani gruz.

*XPAND retractable underrun bar with a round profile in steel.*

*Retractable hydraulic URB. KTL finishing. Delivered assembled with Hydraulic. Option: limit switch sensors assembled.*

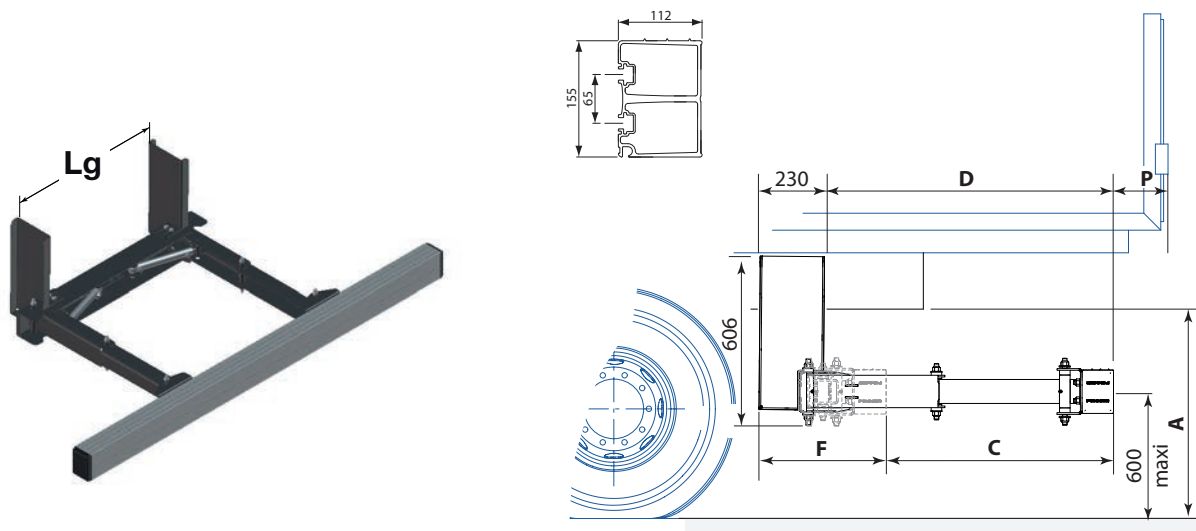
*The round steel profile avoid rubble and sand retention.*



| Lg        | I/V mini | A maxi | C    | D    | F   | P   | Czujniki Sensors | $\frac{\circ}{Kg}$ | Nr katalog. Reference |
|-----------|----------|--------|------|------|-----|-----|------------------|--------------------|-----------------------|
| 750 > 900 | 160      | 905    | 402  | 607  | 435 | 345 |                  | 107                | 2920532               |
| 750 > 900 | 160      | 905    | 402  | 607  | 435 | 345 | x                | 107                | 2920532DM             |
| 750 > 900 | 160      | 905    | 552  | 757  | 435 | 345 |                  | 111                | 2920531               |
| 750 > 900 | 160      | 905    | 552  | 757  | 435 | 345 | x                | 111                | 2920531DM             |
| 750 > 900 | 160      | 905    | 822  | 1027 | 435 | 345 |                  | 118                | 2920533               |
| 750 > 900 | 160      | 905    | 822  | 1027 | 435 | 345 | x                | 118                | 2920533DM             |
| 750 > 900 | 160      | 905    | 1106 | 1311 | 435 | 345 |                  | 125                | 2920530               |
| 750 > 900 | 160      | 905    | 1106 | 1311 | 435 | 345 | x                | 125                | 2920530DM             |

ZDERZAK TYLNY WYSUWANY POZIOMY - **HORIZONTAL RETRACTABLE URB**

2



Belka tylna zabezpieczająca przed wjechaniem wysuwana XPAND z prostokątnym zderzakiem aluminiowym.  
 Zderzak tylny hydrauliczny wysuwany. Wykończenie ze światłem odblaskowym oraz zderzakiem z aluminium anodowanego.  
 Dostarczony z zainstalowanym zaworem sterowania. Opcja: wmontowane czujniki końca skoku.

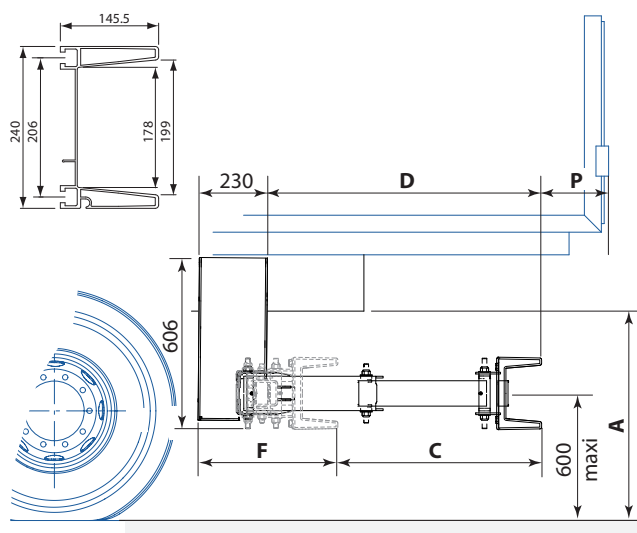
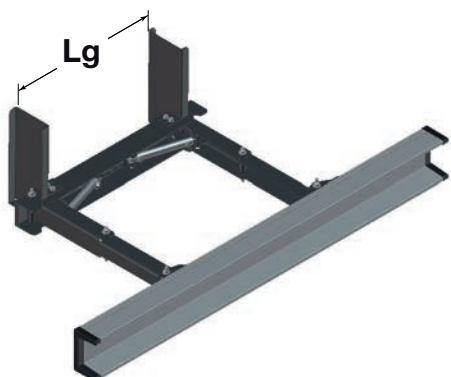
Zderzak prostokątny aluminiowy pozwala na zamocowanie tablic odblaskowych.

*XPAND retractable underrun bar with a rectangular aluminum profile.*

*Retractable hydraulic URB. KTL finishing and anodised alu for the profile. Delivered assembled with Hydraulic. Option: limit switch sensors assembled. The rectangular aluminum profile is a light solution admitting reflective plates.*



| Lg        | I / V<br>mini | A<br>maxi | C    | D    | F   | P   | Czujniki<br>Sensors | $\triangle$<br>Kg | Nr katalog.<br>Reference |
|-----------|---------------|-----------|------|------|-----|-----|---------------------|-------------------|--------------------------|
| 750 > 900 | 160           | 905       | 404  | 619  | 445 | 327 |                     | 97                | 2920232                  |
| 750 > 900 | 160           | 905       | 404  | 619  | 445 | 327 | x                   | 97                | 2920232DM                |
| 750 > 900 | 160           | 905       | 554  | 769  | 445 | 327 |                     | 101               | 2920231                  |
| 750 > 900 | 160           | 905       | 554  | 769  | 445 | 327 | x                   | 101               | 2920231DM                |
| 750 > 900 | 160           | 905       | 824  | 1039 | 445 | 327 |                     | 108               | 2920233                  |
| 750 > 900 | 160           | 905       | 824  | 1039 | 445 | 327 | x                   | 108               | 2920233DM                |
| 750 > 900 | 160           | 905       | 1105 | 1320 | 445 | 327 |                     | 115               | 2920230                  |
| 750 > 900 | 160           | 905       | 1105 | 1320 | 445 | 327 | x                   | 115               | 2920230DM                |

**ZDERZAK TYLNY WYSUWANY POZIOMY - *HORIZONTAL RETRACTABLE URB***
**2**


Belka tylna zabezpieczająca przed wjechaniem wysuwana XPAND ze zderzakiem aluminiowym do montażu świateł.  
 Zderzak tylny hydrauliczny wysuwany. Wykończenie ze światłem odbłaskowym oraz zderzakiem z aluminium anodowanego.  
 Dostarczony z zainstalowanym zaworem sterowania. Opcja: wmontowane czujniki końca skoku.  
 Zderzak do montażu świateł pozwala na zamocowanie i ochronę świateł sygnalizacyjnych.



*XPAND retractable underrun bar with an aluminum light mounting profile.*

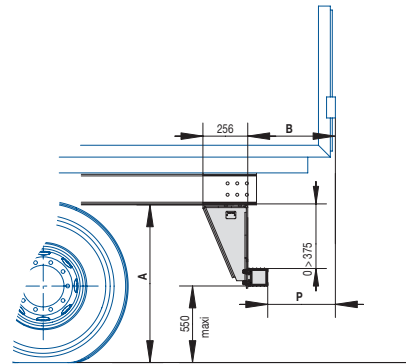
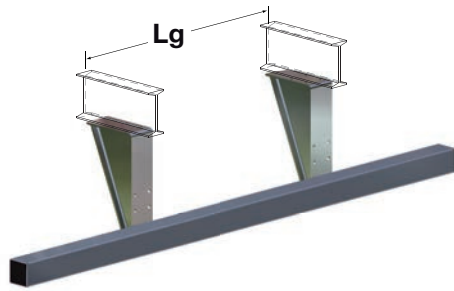
*Retractable hydraulic URB. KTL finishing and anodised alu for the profile. Delivered assembled with Hydraulic. Option: limit switch sensors assembled.*

*The aluminum light mounting profile is a light solution admitting traffic light.*

| Lg        | I/V mini | A maxi | C    | D    | F   | P   | Czujniki Sensors | $\frac{\circ}{Kg}$ | Nr katalog. Reference |
|-----------|----------|--------|------|------|-----|-----|------------------|--------------------|-----------------------|
| 750 > 900 | 160      | 905    | 405  | 655  | 480 | 345 |                  | 97                 | 2920132               |
| 750 > 900 | 160      | 905    | 405  | 655  | 480 | 345 | x                | 97                 | 2920132DM             |
| 750 > 900 | 160      | 905    | 555  | 805  | 480 | 345 |                  | 101                | 2920131               |
| 750 > 900 | 160      | 905    | 555  | 805  | 480 | 345 | x                | 101                | 2920131DM             |
| 750 > 900 | 160      | 905    | 825  | 1075 | 480 | 345 |                  | 108                | 2920133               |
| 750 > 900 | 160      | 905    | 825  | 1075 | 480 | 345 | x                | 108                | 2920133DM             |
| 750 > 900 | 160      | 905    | 1105 | 1355 | 480 | 345 |                  | 115                | 2920130               |
| 750 > 900 | 160      | 905    | 1105 | 1355 | 480 | 345 | x                | 115                | 2920130DM             |

ZDERZAK STAŁY - *FIXED URB*

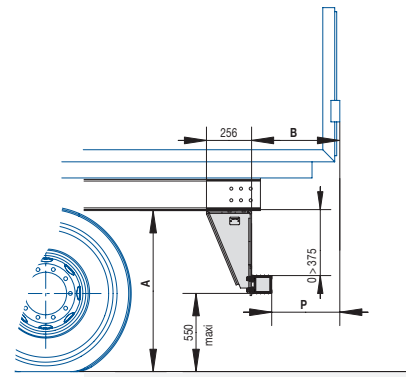
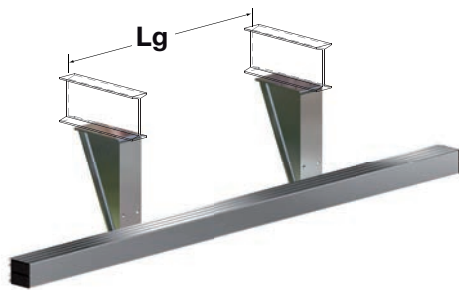
2



BAP Zderzak tylny stalowy, kwadrat 100 x 100.  
BAF Steel underrun bar square section 100 x 100.

ECE  
R 58

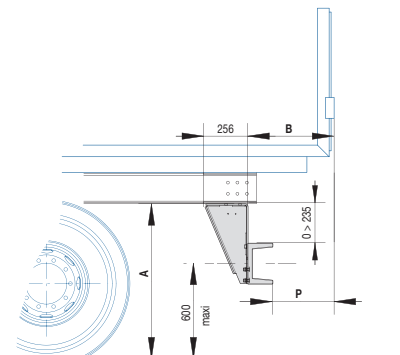
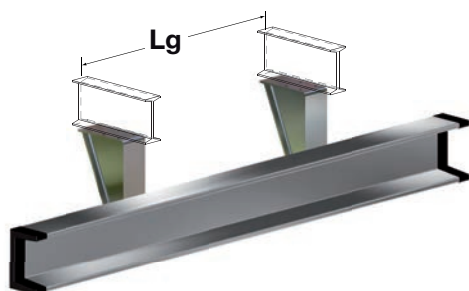
| Lg         | I/V<br>mini | A         | B   | P   | Kg | Nr katalog.<br>Reference |
|------------|-------------|-----------|-----|-----|----|--------------------------|
| 860 > 1360 | 160         | 700 > 975 | 417 | 317 | 55 | 2909400                  |



BAF Zderzak tylny aluminiowy, profil 120 x H100.  
BAF Aluminium profile underrun bar 120 x H100.

ECE  
R 58

| Lg         | I/V<br>mini | A         | B   | P   | Kg | Nr katalog.<br>Reference |
|------------|-------------|-----------|-----|-----|----|--------------------------|
| 860 > 1360 | 160         | 700 > 975 | 285 | 351 | 43 | 2909401                  |

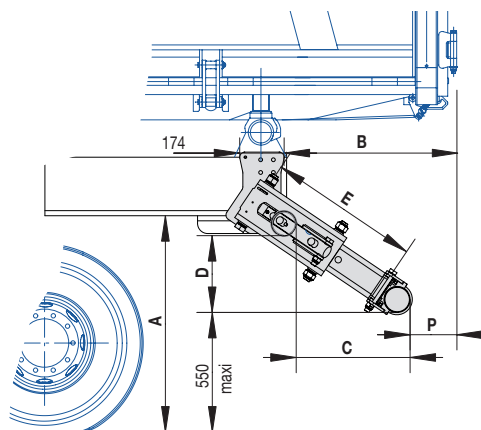
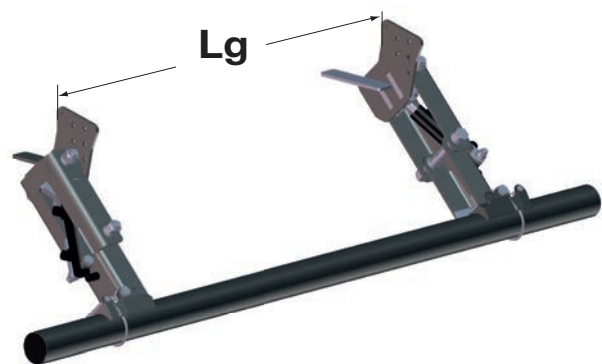


BAF Zderzak tylny aluminiowy, profil 145 x H240.  
BAF Aluminium underrun bar light support 145 x H240.

ECE  
R 58

| Lg         | I/V<br>mini | A         | B   | P   | Kg | Nr katalog.<br>Reference |
|------------|-------------|-----------|-----|-----|----|--------------------------|
| 860 > 1360 | 160         | 700 > 975 | 505 | 360 | 49 | 2909409                  |

## ZDERZAK TYLNY WYSUWANY POCHYLONY - *ANGLE RETRACTABLE URB*

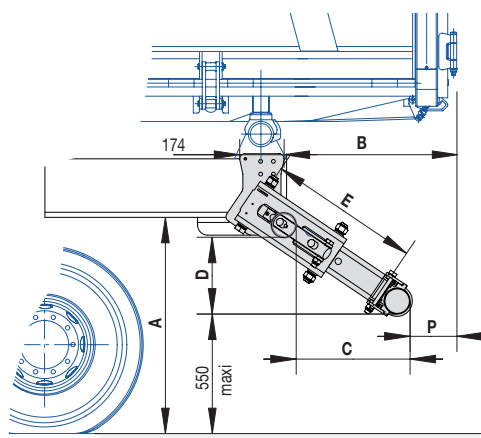
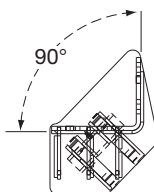
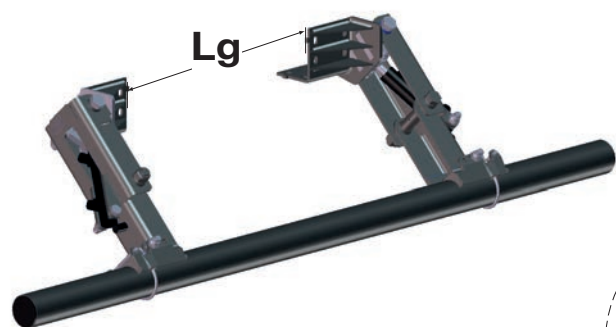


BAES Zderzak tylny stalowy, rurowy Ø 100, mocowanie boczne pod kątem od 22° do 46°.

*BAES Steel profile Ø 100 underrun bar, lateral fixation, orientable from 22° to 46°.*



| Lg            | I/V mini | A       | B       | E   | P   | Kg  | Wersja<br>Version         | Nr katalog.<br>Reference |
|---------------|----------|---------|---------|-----|-----|-----|---------------------------|--------------------------|
| 1 100 > 1 480 | 160      | 996 max | 767 max | 465 | 288 | 100 | Manualny<br>Manual        | 2908447                  |
| 1 100 > 1 480 | 160      | 996 max | 767 max | 465 | 288 | 100 | Hydrauliczny<br>Hydraulic | 2911447                  |



BAES Zderzak tylny stalowy, rurowy Ø 100, mocowany na koniec ramy, 70°.

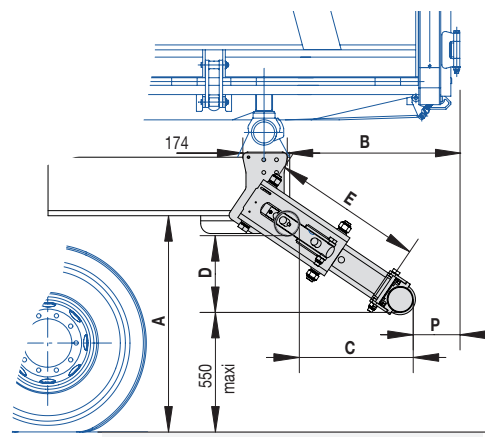
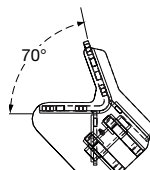
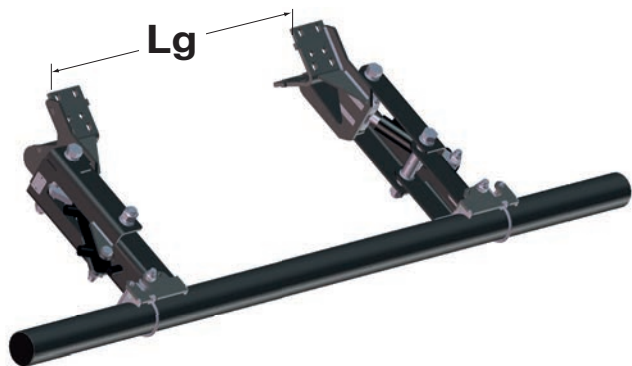
*BAES Steel profile Ø 100 underrun bar, fixation at the end of 70° tilted frame.*



| Lg            | I/V mini | A   | B   | E   | P   | Kg  | Wersja<br>Version         | Nr katalog.<br>Reference |
|---------------|----------|-----|-----|-----|-----|-----|---------------------------|--------------------------|
| 1 100 > 1 480 | 160      | 912 | 744 | 465 | 288 | 110 | Manualny<br>Manual        | 2908448                  |
| 1 100 > 1 480 | 160      | 912 | 744 | 465 | 288 | 110 | Hydrauliczny<br>Hydraulic | 2911448                  |

ZDERZAK TYLNY WYSUWANY POCHYLONY - *ANGLE RETRACTABLE URB*

2



BAES Zderzak tylny stalowy, rurowy  $\varnothing 100$ , mocowany na koniec ramy, 90°.  
 BAES Steel profile  $\varnothing 100$  underrun bar, fixation at the end of 90° tilted frame.

ECE  
 R 58

| Lg            | I/V<br>mini | A     | B   | E   | P   | Kg  | Wersja<br>Version         | Nr katalog.<br>Reference |
|---------------|-------------|-------|-----|-----|-----|-----|---------------------------|--------------------------|
| 1 100 > 1 480 | 160         | 1 076 | 729 | 465 | 288 | 100 | Manualny<br>Manual        | 2908449                  |
| 1 100 > 1 480 | 160         | 1 076 | 729 | 465 | 288 | 100 | Hydrauliczny<br>Hydraulic | 2911449                  |



**AKCESORIA DO ZDERZAKÓW TYLNYCH - ACCESSORIES FOR URB**

2



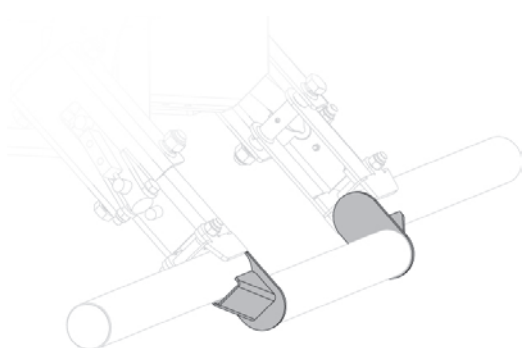
HiddenUp. Zestaw wyświetlający pozycję belki w kabinie (czujnik położenia belki w zestawie).  
*HiddenUp cabin display kit (bar position sensors included).*

| Nr katalog.<br>Reference |  |
|--------------------------|---|
| 2906451                  | 1,00  |



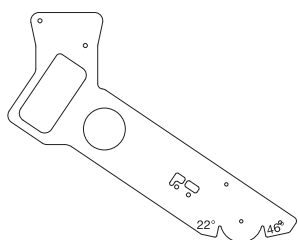
Zestaw wyświetlający pozycję belki dla zderzaka BAB (czujnik pozycji belki w zestawie).  
*BAB cabin display kit (bar position sensors included).*

| Nr katalog.<br>Reference |  |
|--------------------------|---|
| 2906439                  | 1,00  |



Zestaw adaptacyjny do belki okrągłej.  
 (rozbudowa = 101 mm maksymalny)  
*Adaptation kit for round bar.  
 (extension = 101 mm maxi)*

| Nr katalog.<br>Reference |  |
|--------------------------|---|
| 2944259                  | 4,00  |




Szablon do ustalania konta dla montażu zderzaka chowanego.  
*Gauge of assembly for Angle retractable URB for TRUCK.*

| Nr katalog.<br>Reference |  |
|--------------------------|---|
| 2944261                  | 3,00  |



Autonomiczna pompa hydrauliczna (sterowanie w zestawie).  
*Hydraulic autonomous pump (command included).*

| Nr katalog.<br>Reference |  | V    |
|--------------------------|---|------|
| 2944557                  | 8,00  | 12 V |
| 2944538                  | 8,00  | 24 V |



# ZACISKI / NAROŻNIKI DO MOCOWANIA

łapy dociskowe, koziółki jaskółczy ogon

## **BODY CLAMPS / BRACKETS**

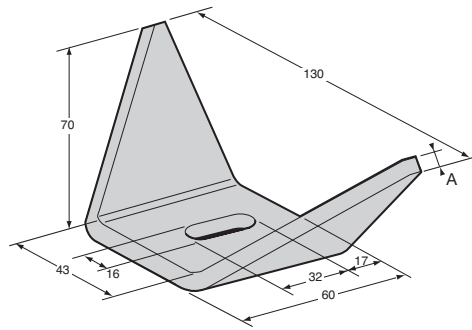
*Body clamps, brackets*






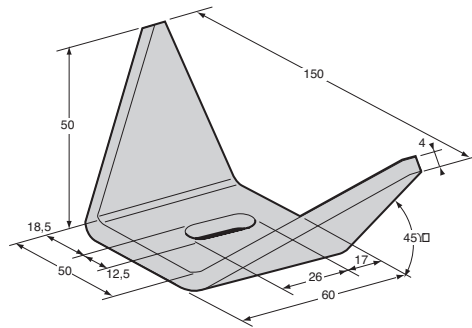
**OKUCIA - BODY MOUNTING BRACKETS**

3




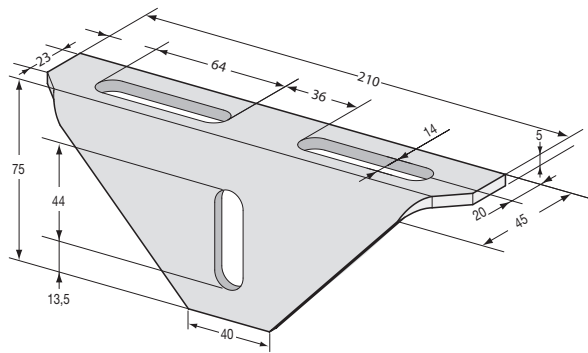
Koziołek jaskółczy ogon, z otworem podłużnym 16 x 32, stal surowa.  
*Self colour steel mounting bracket with oblong hole 16 x 32.*

| Nr katalog.<br>Reference |  | A   |
|--------------------------|---|-----|
| 3643819                  | 0,37  | 5,5 |





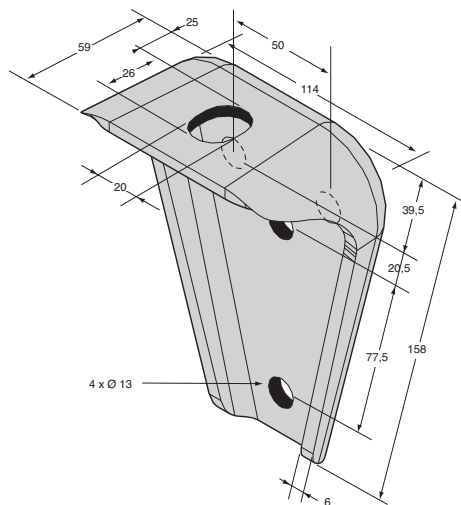
Koziołek jaskółczy ogon, stal surowa z otworem podłużnym 12,5 x 26.  
*Self colour steel mounting bracket with oblong hole 12,5 x 26.*

| Nr katalog.<br>Reference |  |
|--------------------------|---|
| 3643818                  | 0,23  |




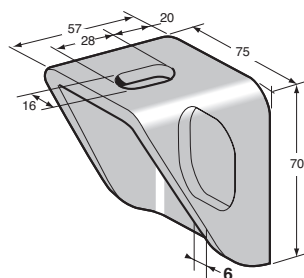
Klamra stal cynkowana.  
*Dacromet steel mounting bracket.*

| Nr katalog.<br>Reference |  |  |
|--------------------------|---|---|
| 3643833                  | 0,515   | 50  |

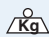


Koziołek, stal cynkowana z otworem podłużnym 20 x 26 i 4 otworami Ø 13 mm.  
*Zinc plated steel mounting bracket with oblong hole 20 x 26 and 4 holes Ø 13 mm.*

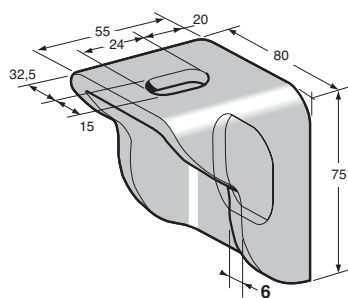
| Nr katalog.<br>Reference |  |
|--------------------------|---|
| 3643835                  | 1   |



Koziołek, stal surowa z otworem do spawania i podłużnym 16 x 28.  
*Self colour steel mounting bracket with hole for welding on chassis and oblong hole 16 x 28.*

| Nr katalog.<br>Reference |  |
|--------------------------|---|
| 3643814                  | 0,37  |

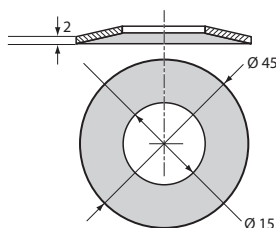
**OKUCIA - BODY MOUNTING BRACKETS**



Koziołek, stal surowa z otworem do spawania i podłużnym 15 x 24.

*Self colour steel mounting bracket with hole for welding on chassis and oblong hole 15 x 24.*

| Nr katalog.<br>Reference |      |    |
|--------------------------|------|----|
| 3643813                  | 0,42 | 50 |

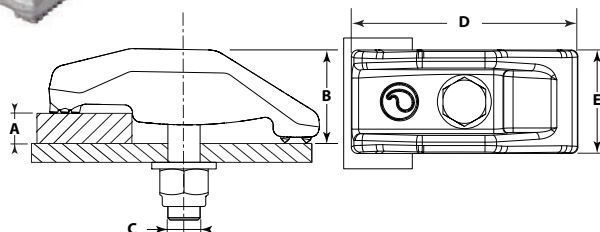


Sprężyna talerzowa (Belville) 42 x 15 x 2, stal surowa.

*Belleville washer, 42 x 15 x 2, self colour steel.*

| Nr katalog.<br>Reference |      |     |
|--------------------------|------|-----|
| 6051000JU                | 0,02 | 100 |

**ZACISKI SKRZYŃ - BOX CLAMPS**



Docisk C450 do mocowania nadwozi.

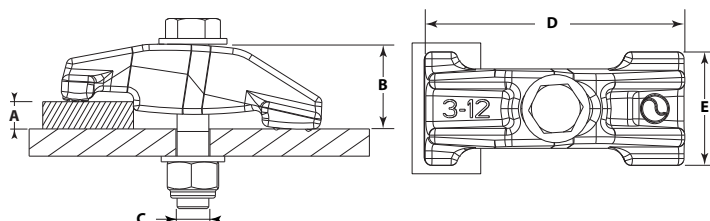
Wytrzymałość mechaniczna 450 daN.

Stal ocynkowany.

*C450 body clamp for box fixing. mechanical strength of 450 daN. Galvanized steel.*



| Nr katalog.<br>Reference |       | A    | B  | C   | D   | E  |
|--------------------------|-------|------|----|-----|-----|----|
| 3643846                  | 0,516 | 5-10 | 34 | M12 | 101 | 46 |



Docisk C600 do mocowania nadwozi.

Wytrzymałość mechaniczna 600 daN.

Stal ocynkowany.

*C600 body clamp for box fixing. mechanical strength of 600 daN. Galvanized steel.*



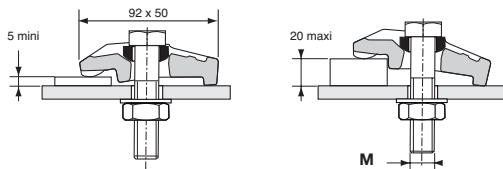
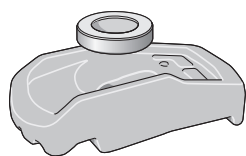
| Nr katalog.<br>Reference |       | A    | B  | C   | D   | E  |
|--------------------------|-------|------|----|-----|-----|----|
| 3643848                  | 0,570 | 3-12 | 35 | M14 | 115 | 50 |



Montaż z podkładką stożkową NF-EN-25510.

*Mounting with conical washer NF-EN-25510.*

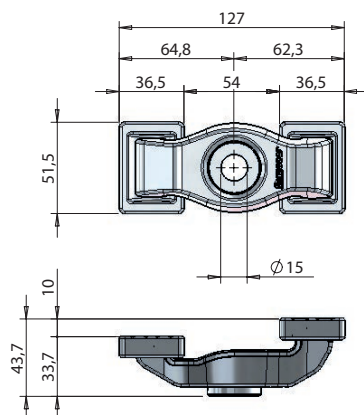
ZACISKI SKRZYŃ - *BOX CLAMPS*




Zespół łapy dociskowej, dla palet i podwozi, stal kuta, cynkowana.

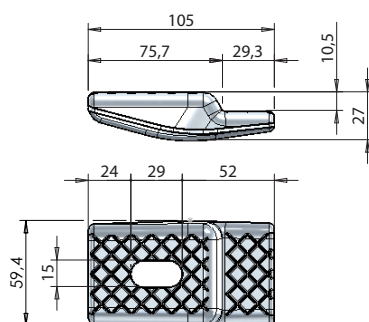
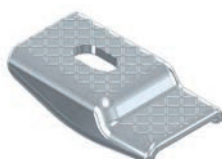
*Pivoting drop-forged steel body clamp, galvanized.*

| Nr katalog.<br>Reference |  Kg | M  |  |
|--------------------------|--|----|---|
| 3643830                  | 0,44   | 16 | 25  |



Zespół łapy dociskowej do belki od 4 do 15 mm  
*Self-levelling body clamp used to fix from 4 to 15 mm sections.*

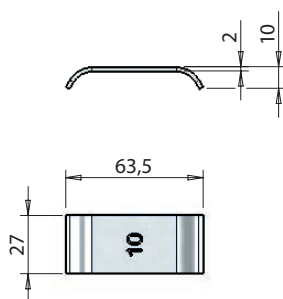
| Nr katalog.<br>Reference |  Kg | Zakończyć<br>Finish            |
|--------------------------|--|--------------------------------|
| 350510245                | 0,779  | Stal ocynkowana<br>Zinc plated |



Łapa dociskowa do belki 12 mm.


*Body clamp used to fix 12 mm sections.*

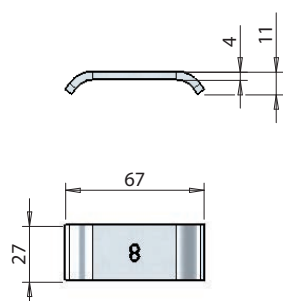
| Nr katalog.<br>Reference |  Kg | Zakończyć<br>Finish            |
|--------------------------|--|--------------------------------|
| 350510761                | 0,45   | Stal ocynkowana<br>Zinc plated |



Podkładka łapy dociskowej do belki 10 mm.

*Body clamp spacer used to fix 10 mm sections.*

| Nr katalog.<br>Reference |  Kg | Zakończyć<br>Finish            |
|--------------------------|--|--------------------------------|
| 350507311                | 0,04   | Stal ocynkowana<br>Zinc plated |



Podkładka łapy dociskowej do belki 8 mm.

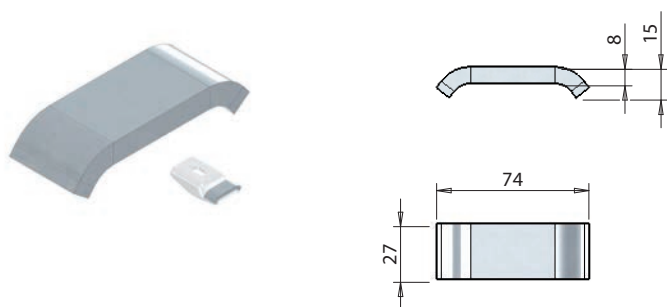
*Body clamp spacer used to fix 8 mm sections.*

| Nr katalog.<br>Reference |  Kg | Zakończyć<br>Finish            |
|--------------------------|--|--------------------------------|
| 350507321                | 0,058  | Stal ocynkowana<br>Zinc plated |



ZACISKI SKRZYŃ - **BOX CLAMPS**

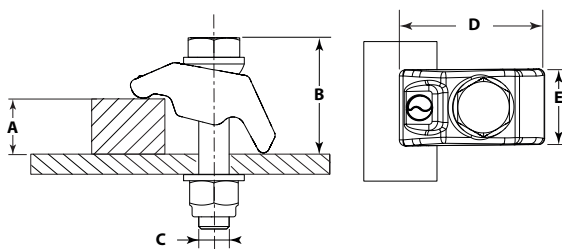
3



Podkładka łapy dociskowej do belki 6 mm.  
*Body clamp spacer used to fix 6 mm sections.*

| Nr katalog.<br>Reference | $\triangle$ Kg | Zakończyć<br>Finish            |
|--------------------------|----------------|--------------------------------|
| 350507331                | 0,126          | Stal ocynkowana<br>Zinc plated |

ZACISKI AKCESORIÓW - **ACCESSORY CLAMPS**

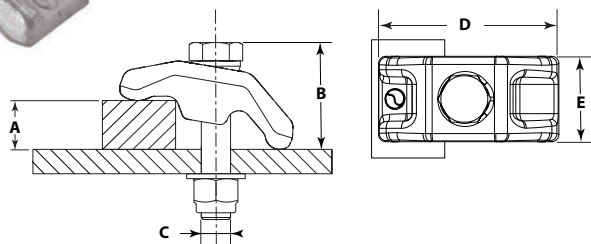


Docisk A300 do mocowania akcesoriów.  
Wytrzymałość mechaniczna 300 daN.  
Stal ocynkowana.



*A300 body clamp for accessory fixing. Mechanical strength of 300 daN. Galvanized steel.*

| Nr katalog.<br>Reference | $\triangle$ Kg | A    | B     | C           | D  | E  |
|--------------------------|----------------|------|-------|-------------|----|----|
| 3643841                  | 0,107          | 3-18 | 30-38 | M10-<br>M12 | 50 | 25 |

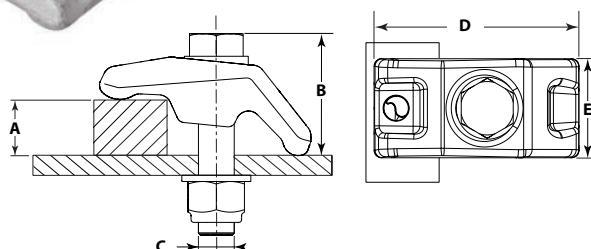


Docisk A450 do mocowania akcesoriów.  
Wytrzymałość mechaniczna 450 daN.  
Stal ocynkowana.



*A450 body clamp for accessory fixing. Mechanical strength of 450 daN. Galvanized steel.*

| Nr katalog.<br>Reference | $\triangle$ Kg | A    | B     | C   | D  | E  |
|--------------------------|----------------|------|-------|-----|----|----|
| 3643842                  | 0,263          | 4-20 | 36-44 | M12 | 73 | 35 |



Docisk A600 do mocowania akcesoriów.  
Wytrzymałość mechaniczna 600 daN.  
Stal ocynkowana.



*A600 body clamp for accessory fixing. Mechanical strength of 600 daN. Galvanized steel.*

| Nr katalog.<br>Reference | $\triangle$ Kg | A    | B     | C   | D  | E  |
|--------------------------|----------------|------|-------|-----|----|----|
| 3643843                  | 0,368          | 5-22 | 39-47 | M14 | 85 | 40 |



Niklowana, cynkowana, pasywowana podkładka 700HBS.  
*Nickel zinc passivated 700 HBS washer.*



**OSŁONY BOCZNE**  
Ruchome, stałe, akcesoria

***SIDE GUARDS***  
*Tilted, fixed, accessories*





**PRZEPISY TECHNICZNE - SIDE GUARDS FITTING REGULATION**

**PRZEPISY TECHNICZNE DOT. BOCZNYCH LISTEW ZABEZPIECZAJĄCYCH**, Dyrektywą R73.

Pojazdy kategorii N2, N3, O3 i O4 powinny zostać zbudowane i wyposażone, tak, aby zapewniały innym użytkownikom dróg (piesi, rowerzyści..), skuteczne zabezpieczenie przed niebezpieczeństwem wpadnięcia z boku pod pojazd i dostania się pod koła.

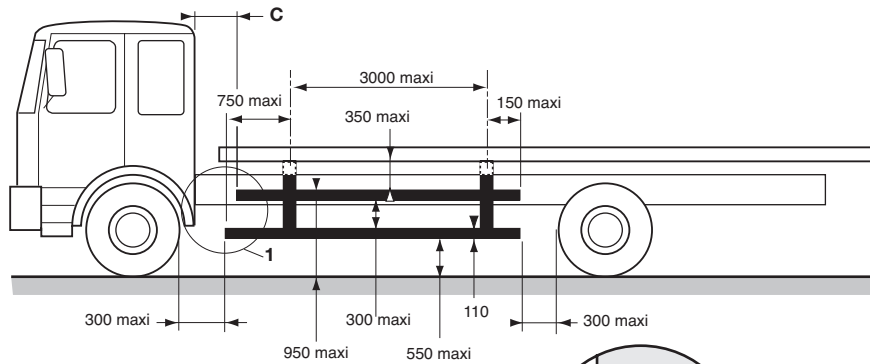
**TECHNICAL FITTINGS INSTRUCTIONS RELATED TO LATERAL PROTECTION**, according to R73 reglement.

The vehicles belonging to N2, N3, O3 and O4 classes must be built and equipped, in order to offer the road users (pedestrians, cyclists,...) an efficient protection against the risk of falling under a lateral part of the vehicle and slipping under the wheels.

**Type PCP**  
**Homologacja N° / Approval N°**  
**73R-01 12185**

**Wymiary do przestrzegania przy montażu**  
**Accuracy to size for assembly**

**Pojazdy silnikowe klas N2 i N3**  
**Motorized vehicles N2 and N3 Classes**

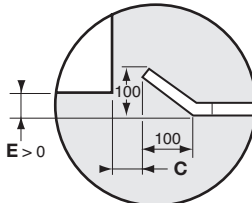


Kabina stała **C < 25**

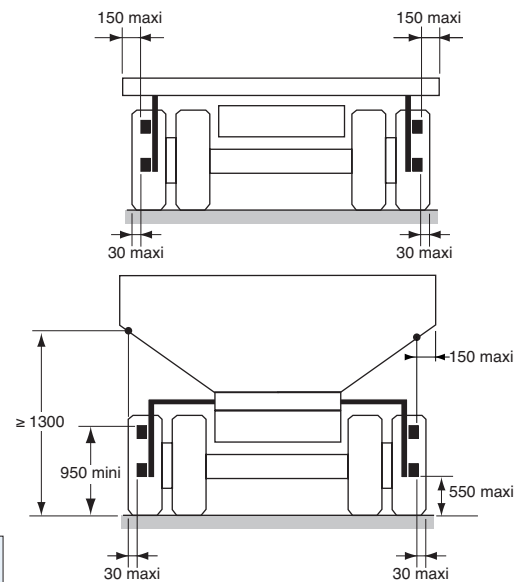
Fixed cabin **C < 25**

Kabina zawieszona lub uchylna **C = 100**

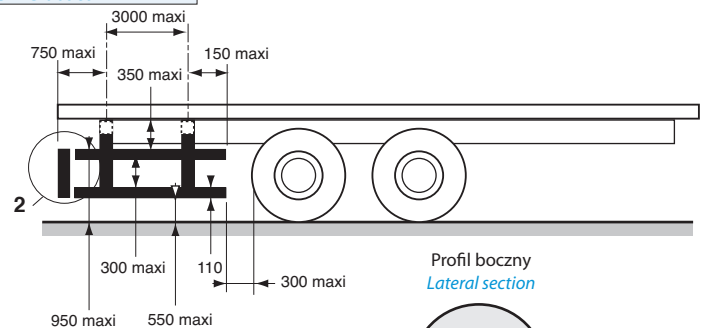
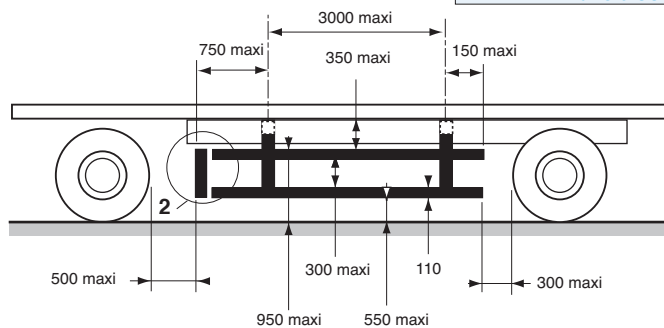
Hanging or tipping cabin **C = 100**



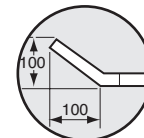
Szczegół 1 - widok z góry  
Detail 1 - Top view



**Przyczepy i naczepy klas O3 i O4**  
**Trailers O3 and O4 Classes**

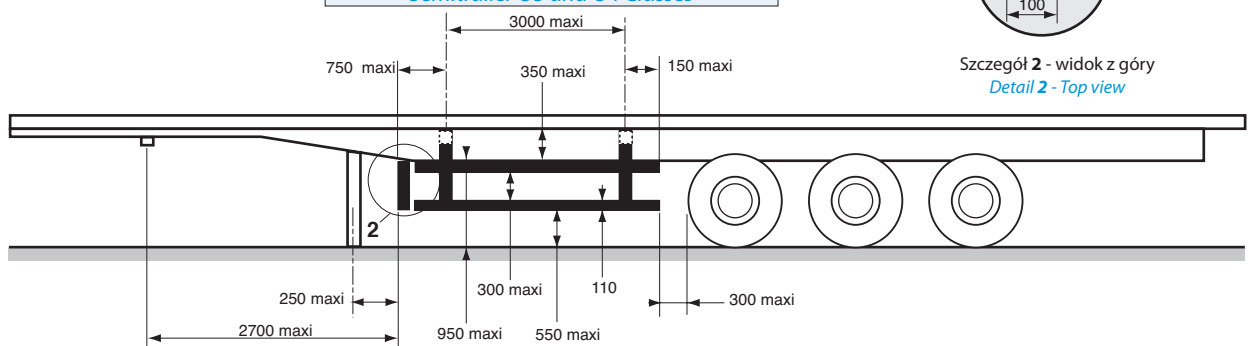


Profil boczny  
Lateral section



Szczegół 2 - widok z góry  
Detail 2 - Top view

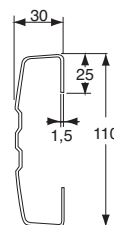
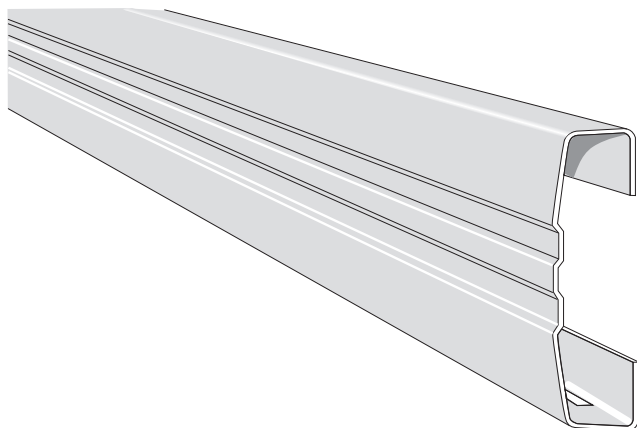
**Naczepy klas O3 i O4**  
**Semitrailer O3 and O4 Classes**




Zgodnie z regulacją R73, nasze osłony boczne wytrzymują poziomą siłę statyczną 100 daN.  
According to R73 reglement, our lateral protections stand and a horizontal static force of 100 daN.

**PROFILE STALOWE - STEEL PROFILES**

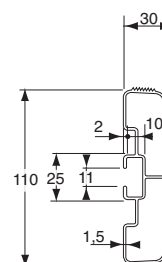
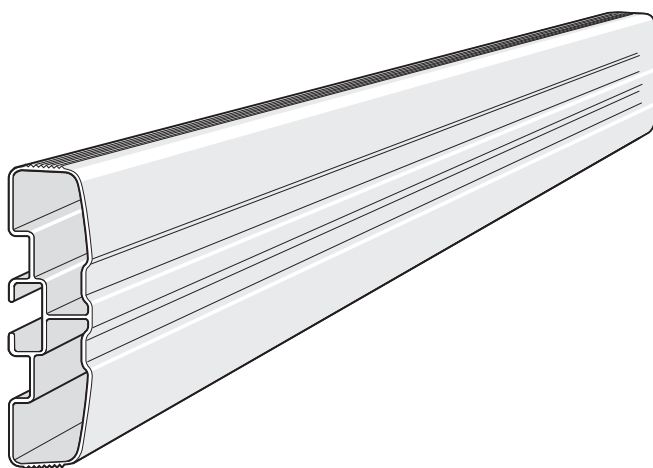
4



Profil osłony bocznej, stal cynkowana.  
*Section of lateral protection, galvanized steel.*

| Nr katalog.<br>Reference |  | Długość<br>Length |
|--------------------------|---|-------------------|
| 3110169                  | 20  | 7 m               |
| 3110170                  | 20  | 5 m               |
| 3110171                  | 20  | 3,2 m             |

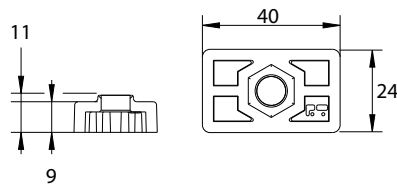
**PROFILE Z ALUMINIUM - ALUMINIUM PROFILES**



Profil osłony bocznej, aluminium surowe.  
*Section of lateral protection, aluminium.*

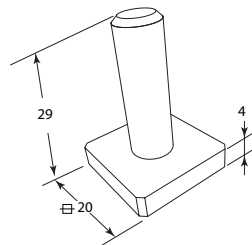
| Nr katalog.<br>Reference |  | Długość<br>Length | Zakończyć<br>Finish     |
|--------------------------|---|-------------------|-------------------------|
| 3110400                  | 20  | 5 m               | Brutto<br>Raw           |
| 3110400AN                | 20  | 5 m               | Anodyzowane<br>Anodized |
| 3110401AN                | 20  | 3,2 m             | Anodyzowane<br>Anodized |
| 3110402AN                | 20  | 3 m               | Anodyzowane<br>Anodized |
| 3110448AN                | 20  | 7 m               | Anodyzowane<br>Anodized |

AKCESORIA DO MOCOWANIA - *FIXING ACCESSORIES*



Płytki mocująca, czarny plastik 3110400, 3110400AN, 3110401AN, 3110402AN, 3110448AN, dla M8.  
*Fixing plate, black plastic, for 3110400, 3110400AN, 3110401AN, 3110402AN, 3110448AN, for M8 screw.*

| Nr katalog.<br>Reference | $\frac{Kg}{\Delta}$ | Dla<br>For  |
|--------------------------|---------------------|---|
| 3110403                  | 0,01                | 3110400<br>3110400AN<br>3110401AN<br>3110402AN<br>3110448AN |



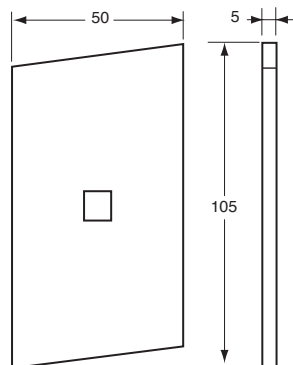
Śruba M8 x 25 klasy 8.8, ze stali cynkowanej.  
*Zinc plated steel grade 8.8 M8 screw.*

| Nr katalog.<br>Reference | $\frac{Kg}{\Delta}$ | Ø | Długość<br>Length |
|--------------------------|---------------------|---|-------------------|
| 1636733VI                | 0,02                | 8 | 25                |



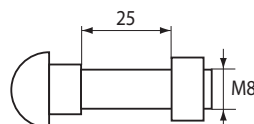
Zestaw mocujący.  
*Mounting kit for steel profiles.*

| Nr katalog.<br>Reference | $\frac{Kg}{\Delta}$ | Skład<br>Composition         |
|--------------------------|---------------------|------------------------------|
| 3110177K                 | 0,19                | 3110177 x 1<br>5501108FH x 1 |



Płytki mocująca dla 3110169/170/171, stal cynkowana.  
*Fixing plate for 3110169/170/171, zinc plated steel.*

| Nr katalog.<br>Reference | $\frac{Kg}{\Delta}$ |
|--------------------------|---------------------|
| 3110177                  | 0,17                |



Śruba M8 x 25, stal cynkowana dla 3110177.  
*M8 x 25 bolt, zinc plated steel for 3110177.*

| Nr katalog.<br>Reference | $\frac{Kg}{\Delta}$ |
|--------------------------|---------------------|
| 5501108FH                | 0,02                |

KOŃCÓWKI I PROFILE NAROŻNE - *END CAP AND CORNER PROFILES*

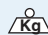
4




Kit nasadka końcowa.  
*Single tips kit.*

| Nr katalog.<br><i>Reference</i> |  Kg | Skład<br><i>Composition</i>   |
|---------------------------------|--|-------------------------------|
| 3110172KS                       | 0,14   | 3110172 x 4<br>3110423ETI x 2 |

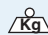
Kit nasadka końcowa.  
*Single kit with front end cap.*

| Nr katalog.<br><i>Reference</i> |  Kg | Skład<br><i>Composition</i>                  |
|---------------------------------|--|--|
| 3110399KS                       | 0,21   | 3110399 x 2<br>3110172 x 2<br>3110423ETI x 2 |

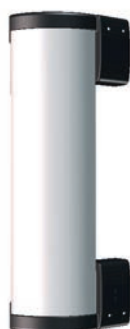
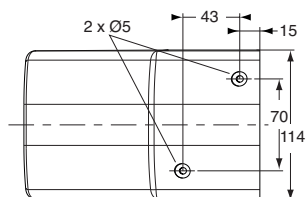
Kit nasadka końcowa.  
*Double end cap kit, right side.*

| Nr katalog.<br><i>Reference</i> |  Kg | Skład<br><i>Composition</i>                     |
|---------------------------------|--|---|
| 3110172KD                       | 0,28   | 3110172 x 8<br>3110423ETI x 2<br>3109060ETI x 2 |

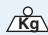
Kit nasadka końcowa.  
*Double end cap kit, front side.*

| Nr katalog.<br><i>Reference</i> |  Kg | Skład<br><i>Composition</i>                                    |
|---------------------------------|--|--|
| 3110399KD                       | 0,42   | 3110399 x 4<br>3110172 x 4<br>3110423ETI x 2<br>3109060ETI x 2 |

**KOŃCÓWKI I PROFILE NAROŻNE - END CAP AND CORNER PROFILES**




Kit nasadka końcowa.  
*End cap kit for semi-trailer.*

| Nr katalog.<br>Reference |  | Skład<br>Composition  |
|--------------------------|---|---|
| 3110476KD                | 1,51  | 3110476K x 2<br>3110172 x 4<br>3110423ETI x 2<br>3109060ETI x 2 |


Końcówka tylna, czarny plastik.  
*Rear end cap, black plastic.*

| Nr katalog.<br>Reference |  |
|--------------------------|---|
| 3110172                  | 0,035   |

Końcówka przednia, czarny polietylen.  
*Front end cap, black polyethylene.*

| Nr katalog.<br>Reference |  |
|--------------------------|---|
| 3110399                  | 0,07  |

Nasadka końcowa.  
*Front end cap, POMMIER profile for semi-trailer.*

| Nr katalog.<br>Reference |  | Skład<br>Composition                   |
|--------------------------|---|--|
| 3110476K                 | 0,68  | 3110474 x1<br>3110475 x1<br>3110476 x1 |

**KOŃCÓWKI I PROFILE NAROŻNE - END CAP AND CORNER PROFILES**

4



Końcówka górna prawa lub dolna lewa do profilu ze stali i aluminium, POMMIER.

*Upper righthand or down lefthand cap for POMMIER steel and aluminium profile.*

Nr katalog.  
Reference



3110474

0,06



Końcówka górna lewa lub dolna prawa do profilu ze stali i aluminium, POMMIER.

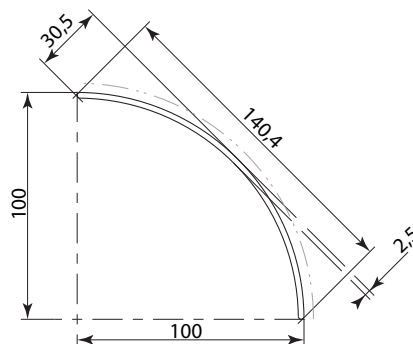
*Upper lefthand or down righthand cap for POMMIER steel and aluminium profile.*

Nr katalog.  
Reference



3110475

0,06



Profil narożny, aluminium anodowane do 3110474, 3110475, 3110472, 3110473.

*Anodised alu angle profile, for 3110474, 3110475, 3110472, 3110473.*

Nr katalog.  
Reference



Długość  
Length

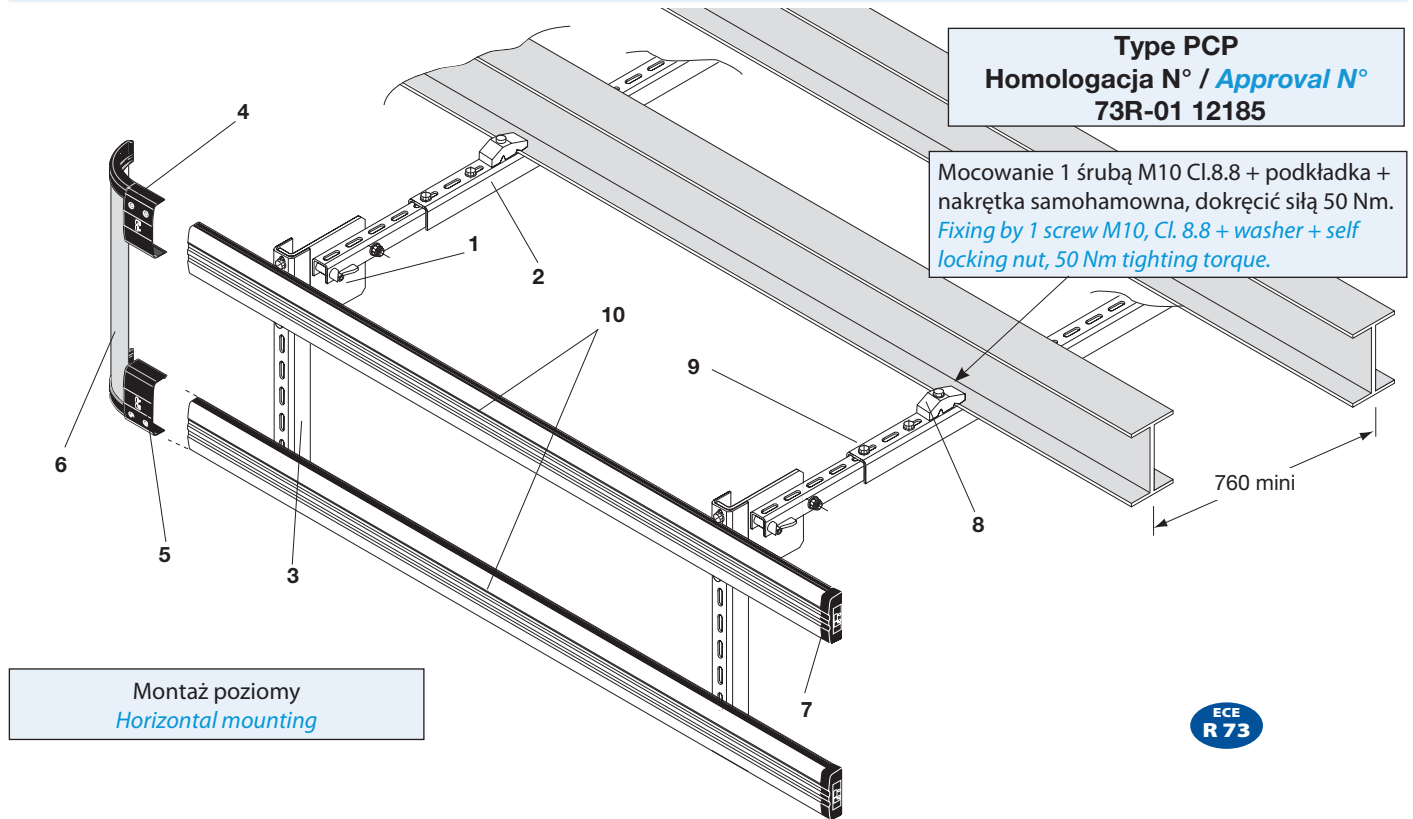
3110476

0,565

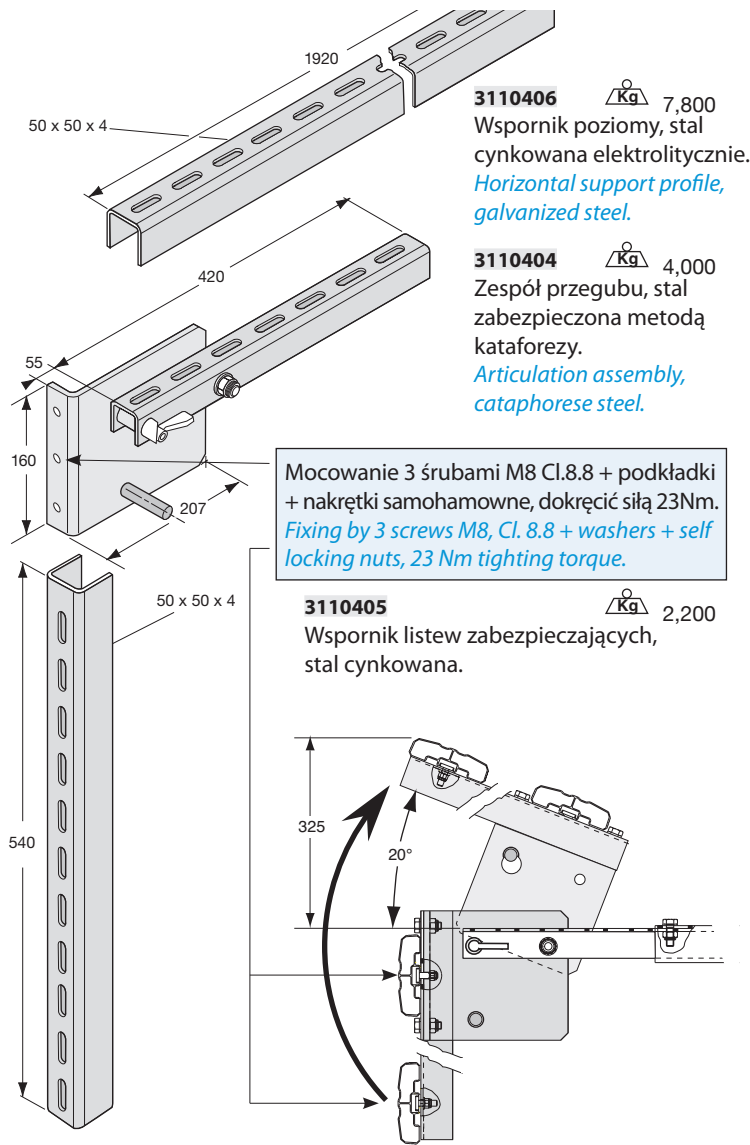
0,513



**Kit - Kit**



**Montaż poziomy**  
*Horizontal mounting*



**Mocowanie 3 śrubami M8 Cl.8.8 + podkładki + nakrętki samohamowne, dokręcić siłą 23Nm. Fixing by 3 screws M8, Cl. 8.8 + washers + self locking nuts, 23 Nm tightening torque.**

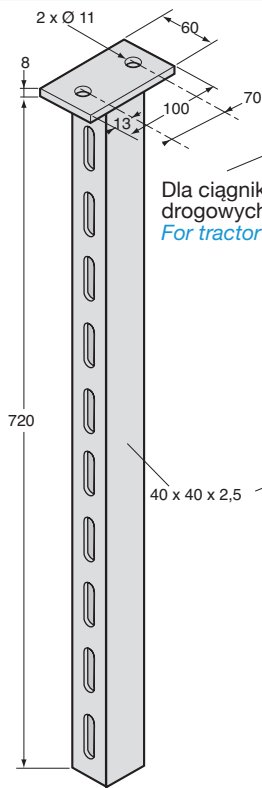
Zestaw części montażowych bocznej osłony naczepy, kompletny  
*Side guards equipment : complete set for semi-trailers*

| Nr katalogowy<br><i>Reference</i>   | Skład zestawu<br><i>Composition</i>           |
|---|---|
| <b>3110395</b> /R <sub>ka</sub> 66 ← 3,20 m →<br>Zestaw części bocznej osłony naczepy<br><b>Aluminium eloxiert.</b><br><i>Complete kit for side guards profiles anodized aluminium.</i> | n° 1 do/to <b>10</b><br>+<br><b>3110401AN</b> |
| <b>3110396</b> /R <sub>ka</sub> 81 ← 3,20 m →<br>Zestaw części bocznej osłony naczepy,<br><b>Stalowej cynkowanej.</b><br><i>Complete kit for side guards profiles galvanized steel.</i> | n° 1 do/to <b>10</b><br>+<br><b>3110171</b>   |

| Skład zestawu montażowego części<br><i>Kit composition</i> |  |                                   |                     |
|--|--|-----------------------------------|---------------------|
| Nr.<br><i>Part n°</i>                                      | Nazwa<br><i>Description</i>  | Nr katalogowy<br><i>Reference</i> | Ilość<br><i>Qty</i> |
| <b>1</b>   | Zespół przegubu<br><i>Articulation assembly</i>                                      | <b>3110404</b>                    | 4                   |
| <b>2</b>   | Wspornik poziomy<br><i>Horizontal support profile</i>                                | <b>3110406</b>                    | 2                   |
| <b>3</b>   | Wspornik pionowy<br><i>Vertical support profile</i>                                  | <b>3110405</b>                    | 4                   |
| <b>4</b>   | Końcówka górna lub dolna<br><i>Upper or lower cap</i>                                | <b>3110475</b>                    | 2                   |
| <b>5</b>   | Końcówka dolna lub górna<br><i>Lower or upper cap</i>                                | <b>3110474</b>                    | 2                   |
| <b>6</b>   | Profil narożny aluminium anodowane<br><i>Anodised aluminium profile</i>              | <b>3110476</b>                    | 2                   |
| <b>7</b>   | Końcówka tylna<br><i>Rear plastic end cap</i>  | <b>3110172</b>                    | 4                   |
| <b>8</b>   | Łapa dociskowa<br><i>Mounting brackets</i>   | <b>3643817BS</b>                  | 4                   |
| <b>9</b>   | Zestaw kompletu śrub 3110395KV + zamocowania<br><i>Screw set 3110395KV + fixings</i> | -                                 | 1                   |
| <b>10</b>  | Osłona boczna z aluminium anodowanego<br><i>Anodized aluminium sideguard</i>         | <b>3110401AN</b>                  | 12,80 m             |
| lub /<br>or  | Profil bocznej osłony, stal cynkowana<br><i>Galvanized steel sideguard</i>           | <b>3110171</b>                    | 12,80 m             |

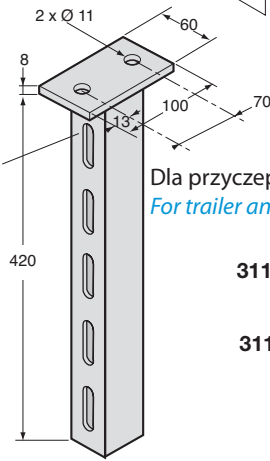
STAL - STEEL

4



Osłona boczna - stała  
Vertical fixed assembly

Dla ciągników drogowych  
For tractor  
3110172



Dla przyczep i naczep  
For trailer and semitrailer  
3110470

**3110175GA**  $\frac{Kg}{m}$  2,700  
Wspornik przegubowy stal galwanizowana.  
Galvanised steel long support.

**3110470**  $\frac{Kg}{m}$  1,800  
Wspornik krótki, zabezpieczony metodą kateforezy.  
Cataphoresis steel short support.

ECE  
R 73

Type PCP  
Homologacja N° / Approval N°  
73R-01 12185

Mocowanie 2 śrubą M10 Cl.8.8 + podkładka L10 + nakrętka samohamowna, dokręcić siłą 50 Nm.  
Fixing by 2 screws M10, Cl. 8.8 + washers L10, 50 Nm tightening torque

3110475

3110476

3110474

3110175  
3110178  
3110405

3110170  
3110171

3110177

5501108FH

3110400  
3110400AN  
3110401AN

1636733VI

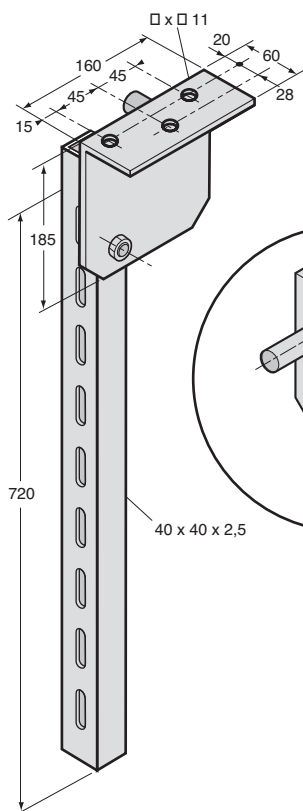
3110400  
3110400AN  
3110401AN

3110403

Montaż pionowy przegubowy  
Vertical tilted assembly

Mocowanie 3 śrubami M10 Cl.8.8 + podkładki L10, dokręcić siłą 50 Nm.  
Fixing by 3 screws M10, Cl. 8.8 + washers L10, 50 Nm tightening torque.

Montaż bocznego profilu bezpieczeństwa na wsporniku. Śrubami M8 Cl.8.8 + podkładki + nakrętki samohamowne, dokręcić siłą 23 Nm.  
Lateral protection profile assembly on the support. Screws M8, Cl. 8.8 + washers + self locking nuts, 23 Nm tightening torque.



**3110178**  $\frac{Kg}{m}$  4,750  
Wspornik kompletny z przegubem, stal zabezpieczona metodą kateforezy.  
Complete tilted support, cataphoresis steel.

Kołek pozwalający odchylić zapadkę by, przy otwieraniu i zamykaniu, następowała samoczynna blokada wspornika.  
Spindle allowing the lock wing to tilt in order to ensure the automatic locking of the whole support when opening or closing.

**STAL - STEEL**

**4**

**Type PCP**  
**Homologacja N° / Approval N°**  
**73R-01 12185**

Dla kontenerów  
*For tractor*

**ECE  
R 73**

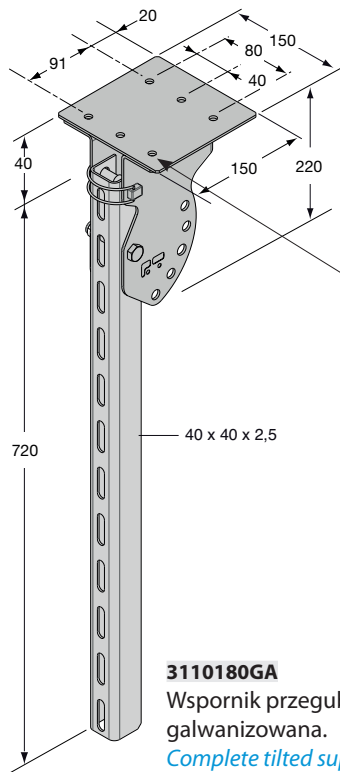
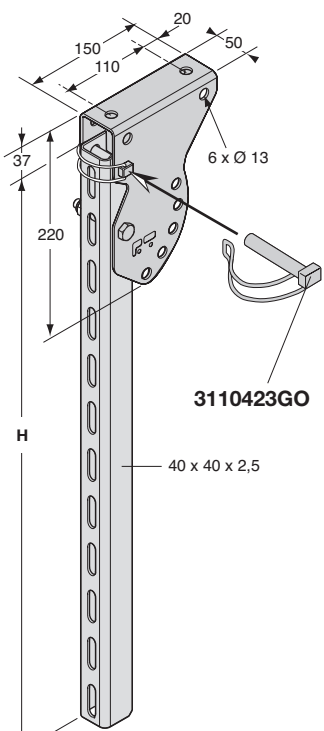
Montaż z odchyleniem w pionie  
*Vertical tilted assembly*

Dla ciągników drogowych  
*For trailer and semitrailer*

Mocowanie 2 śrubami M12 Cl.8.8 + podkładki L12,  
dokręcić siłą 50 Nm.  
*Fixing by 2 screws M12, Cl. 8.8 + washers L12, 50 Nm  
tighting torque.*

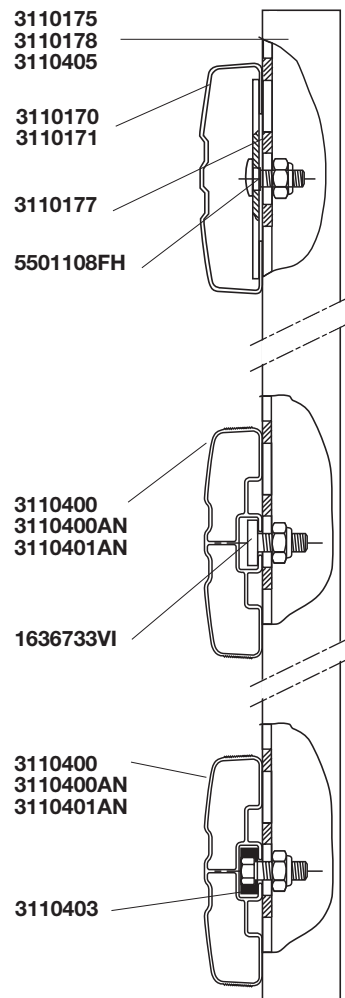
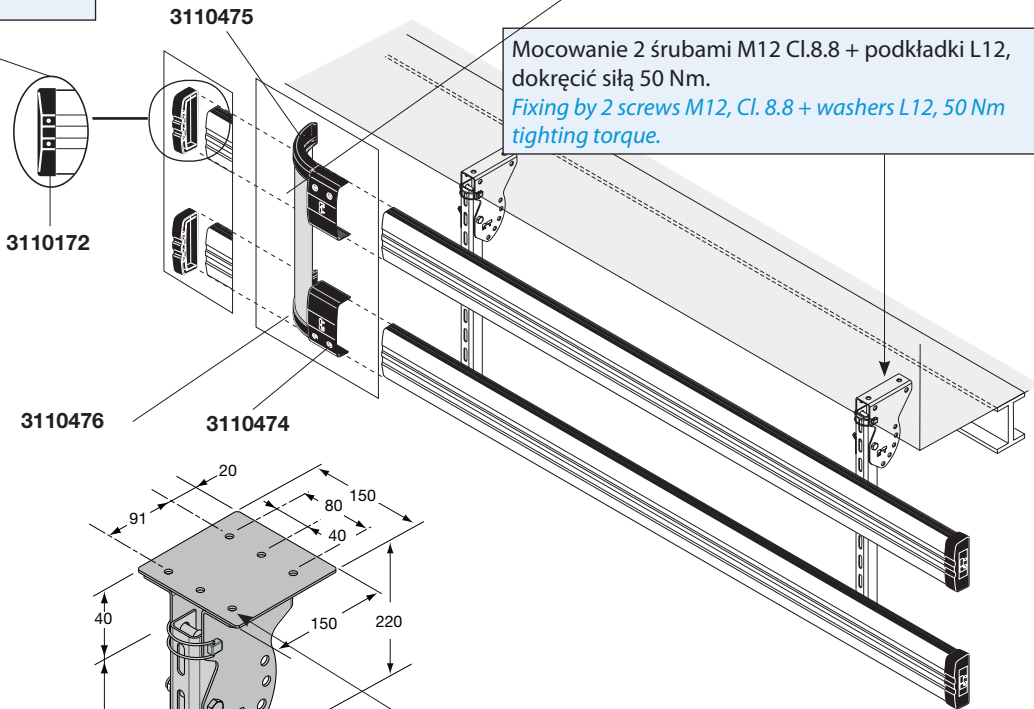
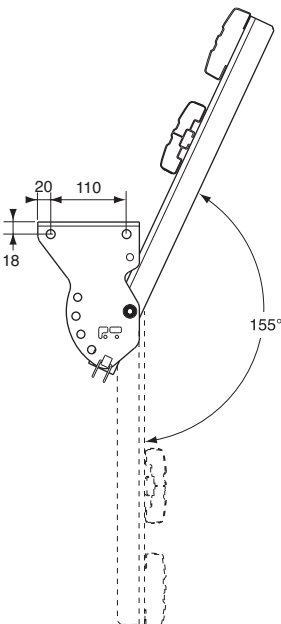
Mocowanie 6 śrubami M8 Cl.8.8 +  
podkładki, dokręcić siłą 23Nm.  
*Fixing by 6 screws M8, Cl. 8.8 + washers,  
23 Nm tightening torque.*

Montaż bocznego profilu  
bezpieczeństwa na  
wsporniku. Śrubami  
M8 Cl.8.8 + podkładki +  
nakrętki samohamowne,  
dokręcić siłą 23Nm.  
*Lateral protection profile  
assembly on the support.  
Screws M8, Cl. 8.8 + washers  
+ self locking nuts, 23 Nm  
tighting torque.*



Wspornik przegubowy kompletny, stal  
galwanizowana.  
*Complete tilted support, galvanized steel.*

| Nr katalog<br><i>Reference</i> | H<br>mm | $\triangle$ Kg |
|--------------------------------|---------|----------------|
| <b>3110423GA</b>               | 720     | 2,600          |
| <b>3110471</b>                 | 435     | 2,130          |



**STAŁE I BOCZNYCH OSŁON UCHYLNYCH DO WÓZKÓW - FIXED AND TILTED TIPPER SIDE GUARDS**

PRZEPISY TECHNICZNE DOT. BOCZNYCH LISTEW ZABEZPIELAJĄCYCH zgodnych z Dyrektywą R73.

Dla pojazdów kategorii: N2, N3, O3 i O4.

TECHNICAL FITTINGS INSTRUCTIONS RELATED TO LATERAL PROTECTION, according to R73 reglement.

For vehicles belonging to N2, N3, O3 and O4.

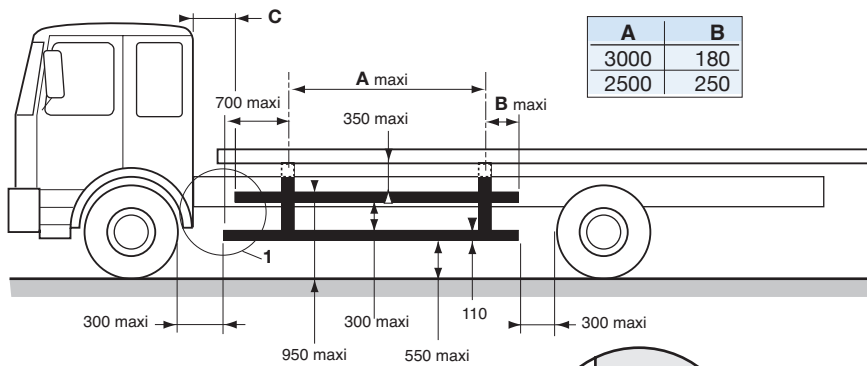


Type PCB  
Homologacja N° / Approval N°  
73R-01 12139

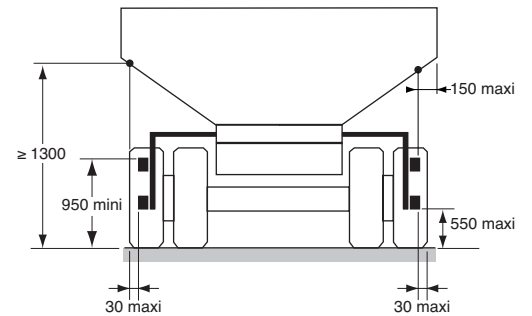
4

Wymiary jakie należy zachować przy montażu używając wpornika 3109056BR/GA bez lub z podkładką regulującą 3109057BR/GA  
Accuracy to size for assembly with brackets 3109056BR / GA with or without adjustment thicks 3109057BR / GA

Pojazdy silnikowe klas N2 i N3  
Motorized vehicles N2 and N3 Classes



| A    | B   |
|------|-----|
| 3000 | 180 |
| 2500 | 250 |

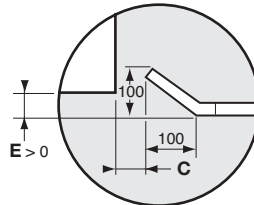


Kabina stała **C < 25**

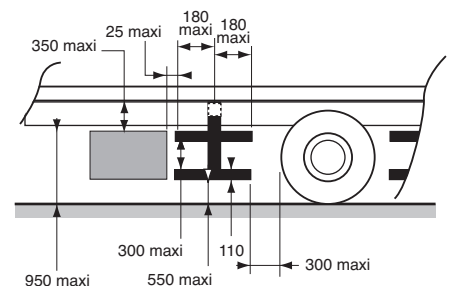
Fixed cabin **C < 25**

Kabina zawieszona lub uchylna **C = 100**

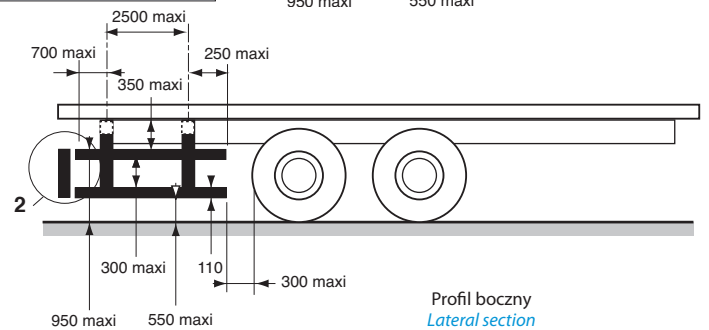
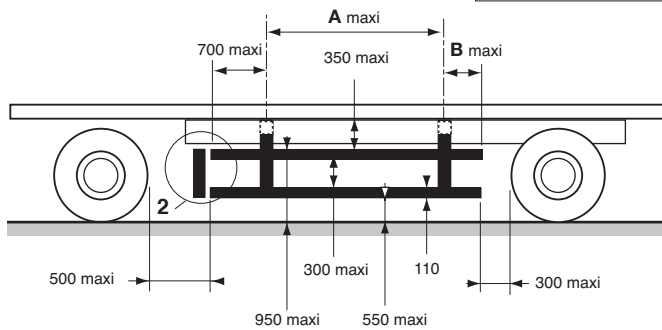
Hanging or tipping cabin **C = 100**



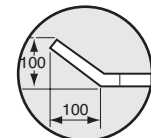
Szczegół 1 - widok z góry  
Detail 1 - Top view



Przyczepy i naczepy klas O3 i O4  
Trailers O3 and O4 Classes

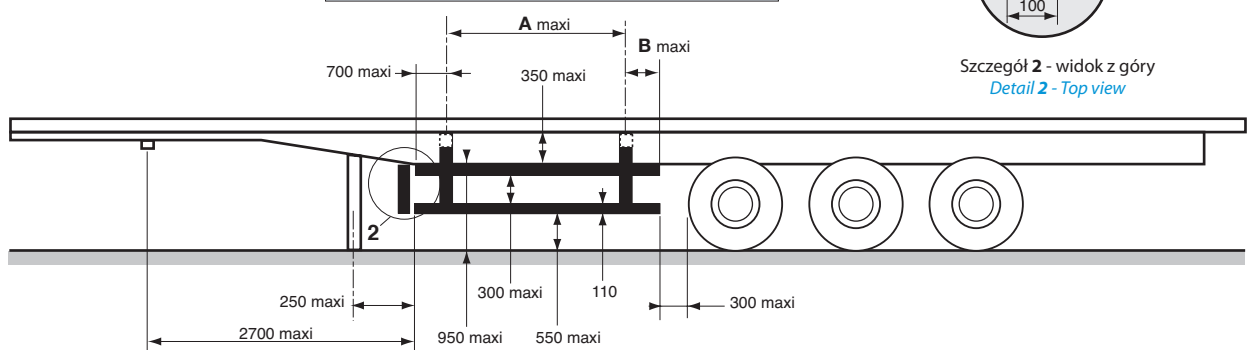


Profil boczny  
Lateral section



Szczegół 2 - widok z góry  
Detail 2 - Top view

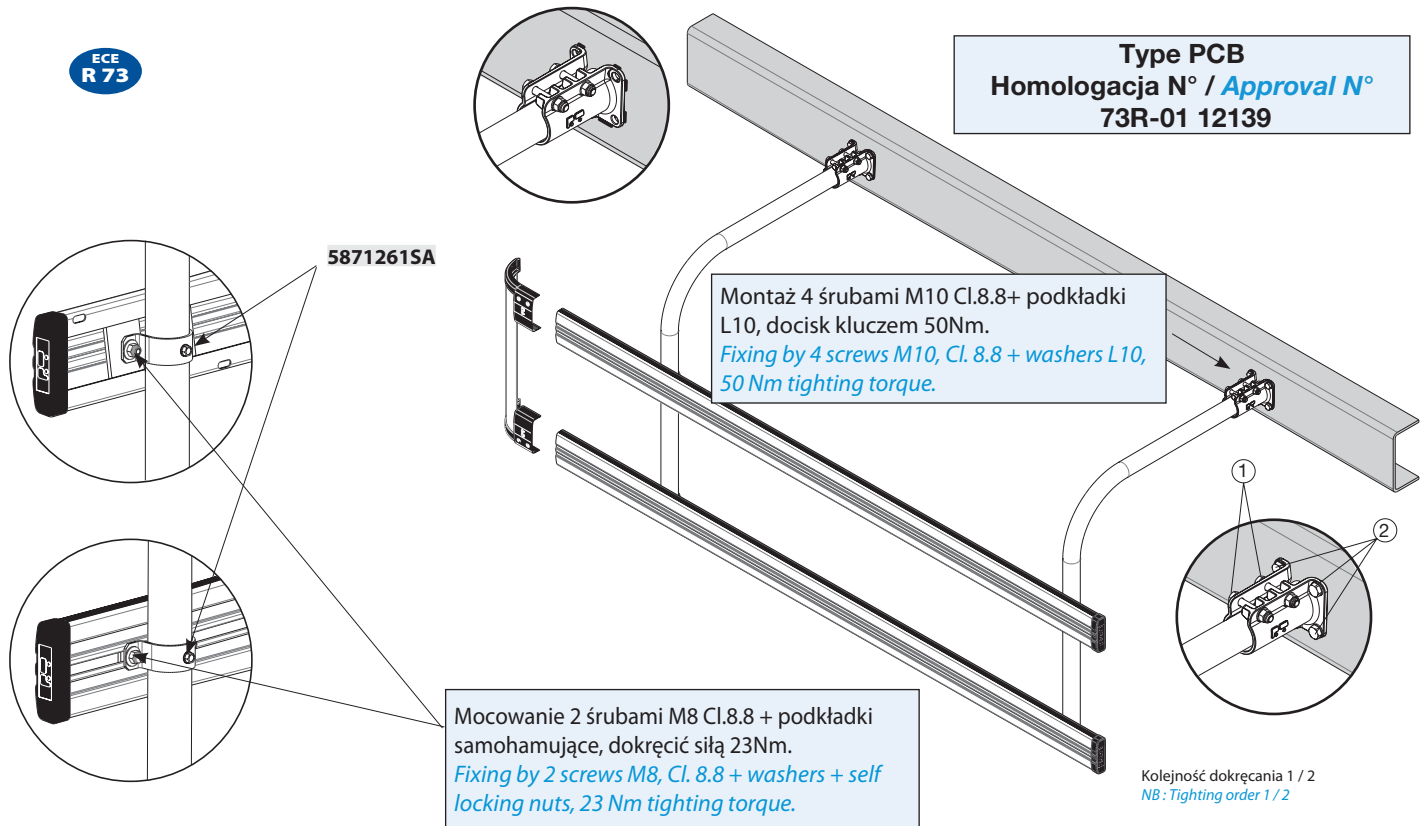
Naczepy klas O3 i O4  
Semitrailer O3 and O4 Classes



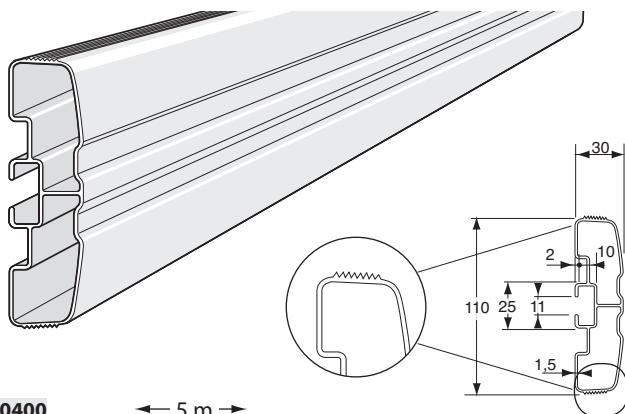
Zgodne z dyrektywą R73 dla nacisków statycznych poziomych o sile 100 daN.  
According to R73 reglement, our lateral protections stand and a horizontal static force of 100 daN.

Kit - Kit

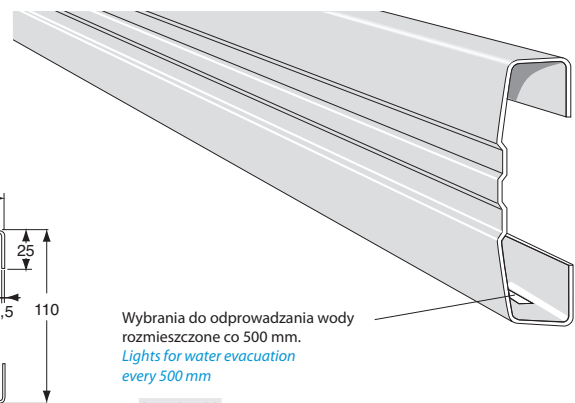
ECE  
R 73



| Nr. katalogowy<br><i>Kit reference</i>   | Części składowe<br><i>Composition</i>                            |
|--|--|
| <b>3109056KB</b> 31,57<br>Kit z zestawem docisków stałych, <b>stal surowa, bez profilu</b><br><i>Self colour steel Kit, fixed bracket, without profile</i>       | <b>3109056BR</b> x 4<br><b>3109051</b> x 4<br><b>3109054</b> x 8 |
| <b>3109056KG</b> 31,57<br>Kit z zestawem docisków stałych, <b>stal galwanizowana, bez profilu</b><br><i>Galvanized steel Kit, fixed bracket, without profile</i> | <b>3109056GA</b> x 4<br><b>3109051</b> x 4<br><b>3109054</b> x 8 |



- 3110400** ← 5 m →  
Profil osłony bocznej, **aluminium surowe**.  
*Section of lateral protection, self colour aluminium.*
- 3110448AN** ← 7 m →  
**3110400AN** ← 5 m →  
**3110401AN** ← 3,2 m →  
**3110402AN** ← 3 m →  
Jak wyżej, **aluminium anodowane**.  
*Section of lateral protection, anodized aluminium.*



- 3110169** ← 7 m →  
**3110170** ← 5 m →  
**3110171** ← 3,2 m →  
Profil osłony bocznej, **stal cynkowana**.  
*Section of lateral protection, galvanized steel.*



Kit - Kit

ECE  
R 73

4

Type PCB  
Homologacja N° / Approval N°  
73R-01 12139

3110177

3110170  
3110171

Montaż 4 śrubami M10 Cl.8.8+ podkładki L10, docisk kluczem 50 Nm.  
Fixing by 4 screws M10, Cl. 8.8 + washers L10, 50 Nm tightening torque.

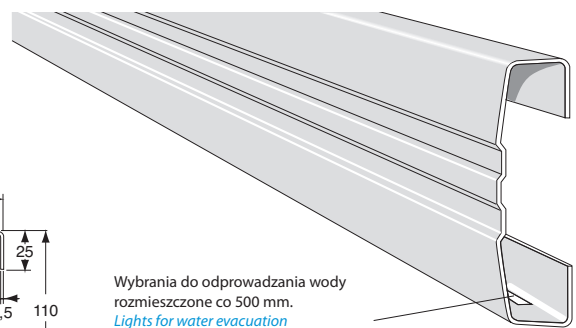
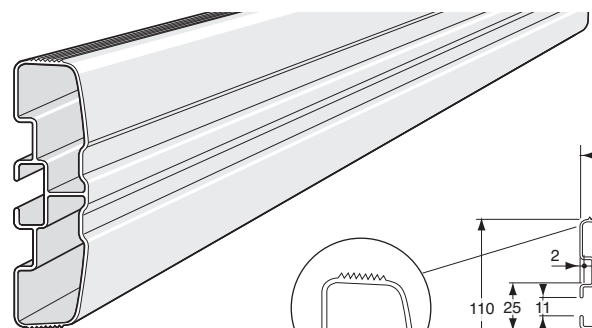
Mocowanie 2 śrubami M8 Cl.8.8 + podkładki samohamujące, dokręcić siłą 23Nm.  
Fixing by 2 screws M8, Cl. 8.8 + washers + self locking nuts, 23 Nm tightening torque.

5871261SA

Kolejność dokręcania 1 / 2  
NB: Tighting order 1 / 2

3110400  
3110400AN  
3110401AN  
3110402AN

| Nr. katalogowy<br>Kit reference   | Części składowe<br>Composition                                     |
|---|--|
| <b>3109060KB</b> 39,370<br>Kit z zestawem docisków <b>stałych stal surowa bez profilu</b><br><i>Self color steel Kit, fixed bracket, without profile</i>        | <b>3109056BR</b> x 4<br><b>3109060GA</b> x 4<br><b>3109054</b> x 8 |
| <b>3109060KG</b> 39,370<br>Kit z zestawem docisków <b>stałych stal galwanizowana bez profilu</b><br><i>Galvanized steel Kit, fixed bracket, without profile</i> | <b>3109056GA</b> x 4<br><b>3109060GA</b> x 4<br><b>3109054</b> x 8 |



Wybrania do odprowadzania wody rozmieszczone co 500 mm.  
Lights for water evacuation every 500 mm

**3110400** ← 5 m →  
Profil osłony bocznej, **aluminium surowe**.  
*Section of lateral protection, self colour aluminium.*  
**3110448AN** ← 7 m →  
**3110400AN** ← 5 m →  
**3110401AN** ← 3,2 m →  
**3110402AN** ← 3 m →  
Profil protection latérale, **aluminium anodisé**.  
*Section of lateral protection, anodized aluminium.*

**3110169** ← 7 m →  
**3110170** ← 5 m →  
**3110171** ← 3,2 m →  
Profil osłony bocznej, **stal cynkowana**.  
*Section of lateral protection, galvanized steel.*

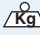
STAL - STEEL

4



Kit obsługuje stały PCB, Stal surowa.

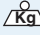
*Fixed bracket kit, PCB, fixing on dummy underframe, raw steel.*

| Nr katalog.<br>Reference |  Kg | Skład<br>Composition                          |
|--------------------------|--|---|
| 3109056KSB               | 8,012  | 3109056BR x 1<br>3109051BR x 1<br>3109054 x 2 |



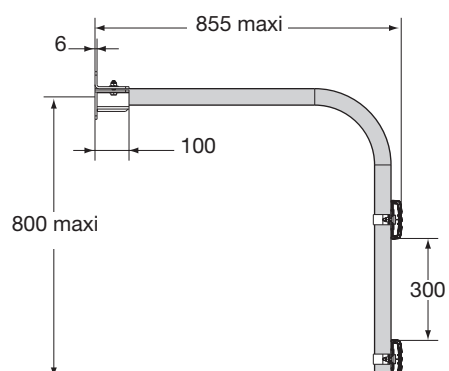
Kit obsługuje stały PCB, Ocynkowany.

*Fixed bracket kit, PCB, fixing on dummy underframe, galvanized steel.*

| Nr katalog.<br>Reference |  Kg | Skład<br>Composition                        |
|--------------------------|--|---|
| 3109056KSG               | 8,012  | 3109056GA x 1<br>3109051 x 1<br>3109054 x 2 |

STAL - STEEL

4



Rura gięta 3109056BR/GA.

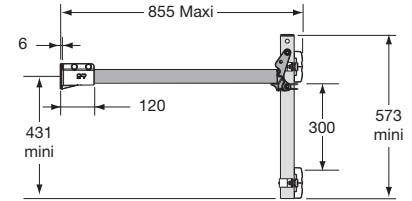
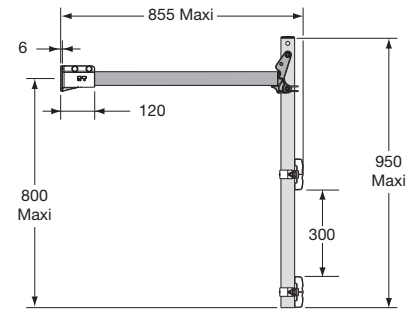
Galvanized steel bent tube, without fixing clamp 3109056BR/GA.

| Nr katalog.<br>Reference | $\frac{\text{Kg}}{\text{m}}$ | $\varnothing$ | Zakończyć<br>Finish            |
|--------------------------|------------------------------|---------------|--------------------------------|
| 3109051                  | 6,875                        | 48,3          | Ocynkowany<br>Galvanized steel |
| 3109051BR                | 6,875                        | 48,3          | Brutto<br>Raw                  |



**STAL - STEEL**

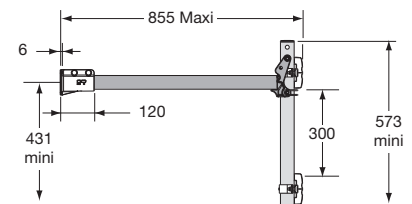
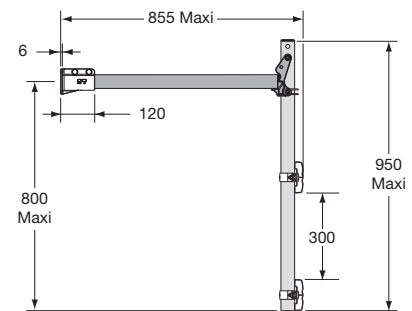
4



Kit obsługuje przegubowy PCB.

Articulated bracket kit, PCB, for welded, fixing on dummy underframe, galvanized steel tube, raw steel plate.

| Nr katalog.<br>Reference | KG    | Skład<br>Composition                          |
|--------------------------|-------|---|
| 3109060KSB               | 9,637 | 3109056BR x 1<br>3109060GA x 1<br>3109054 x 2 |



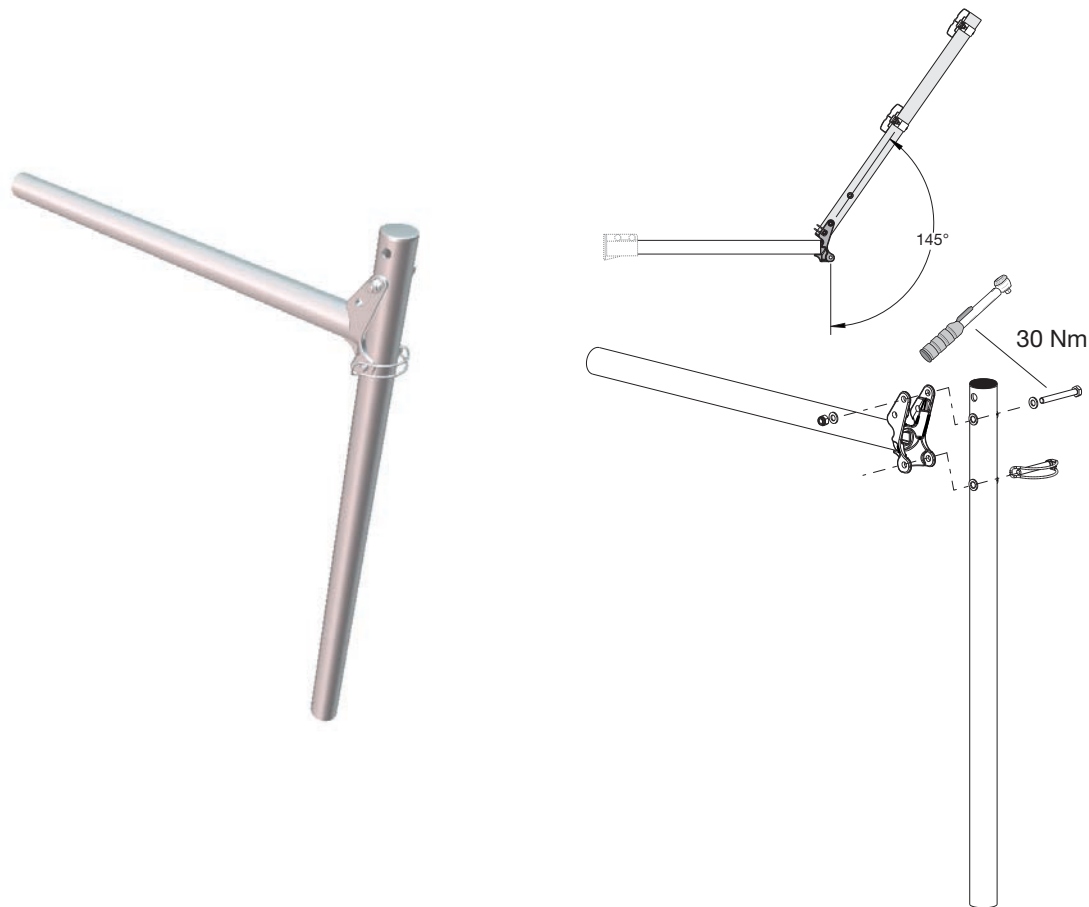
Kit obsługuje przegubowy PCB, Ocynkowany.

Articulated bracket kit, PCB for screwed, fixing on dummy underframe, galvanized steel.

| Nr katalog.<br>Reference | KG    | Skład<br>Composition                          |
|--------------------------|-------|---|
| 3109060KSG               | 9,637 | 3109056GA x 1<br>3109060GA x 1<br>3109054 x 2 |

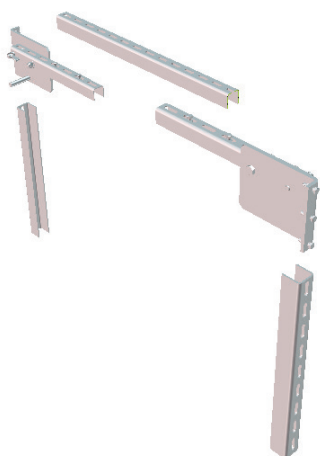
STAL - STEEL

4

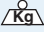


Zestaw podnoszony dla rury  $\varnothing 48,3$  stal galwaniczna + zestaw do montażu (nie zamontowany), bez docisku 3109056BR/GA.  
Galvanized steel tilted kit support, tubes  $\varnothing 48,3$ , with mounting kit (not assembled), without fixing clamp 3109056BR/GA.

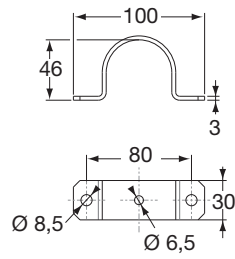
| Nr katalog.<br>Reference |  Kg |
|--------------------------|--|
| 3109060GA                | 8,5  |



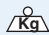
Kit obsługuje przegubowy PCP dla naczepa wywrotka.  
Articulated bracket kit, PCP, for semi trailer, sub-chassis mounting.

| Nr katalog.<br>Reference |  Kg | Skład<br>Composition                      |
|--------------------------|--|---|
| 3110404KS                | 20,20  | 3110404 x 2<br>3110405 x 2<br>3110406 x 1 |

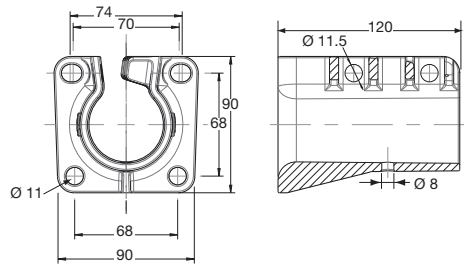
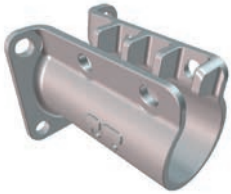
**AKCESORIA DO MOCOWANIA - *FIXING ACCESSORIES***



Obejma mocowania stal galwanizowana, bez śrub.  
*Galvanized steel fixing collar (without bolts).*

| Nr katalog.<br><i>Reference</i> |  |
|---------------------------------|---|
| 3109054                         | 0,011   |

4



Wspornik stały, stal surowa.  
*Fixing bracket.*

| Nr katalog.<br><i>Reference</i> |  | Zakończyć<br><i>Finish</i>      |
|---------------------------------|---|---------------------------------|
| 3109056BR                       | 1,115   | Brutto<br><i>Raw</i>            |
| 3109056GA                       | 1,115   | Ocynkowany<br><i>Galvanized</i> |



Kit do montażu.  
*Mounting kit.*

| Nr katalog.<br><i>Reference</i> |  |
|---------------------------------|---|
| 3109060KF                       | 0,155   |



# SKRZYNKI

Stal nierdzewna, Stal, Tworzywo sztuczne, Akcesoria, Inne

# TOOL-BOXES

*Stainless steel, plastic, accessories, others*






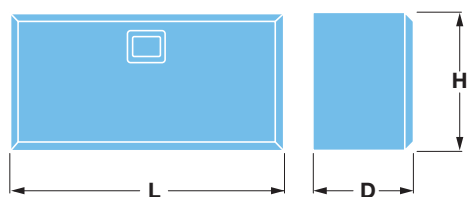
SKRZYNKI ZE STALI NIERDZEWNEJ - *STAINLESS STEEL TOOLBOXES*



Skrzynka narzędziowa stal nierdzewna gr.  
*Tool-box stainless steel.*



| Nr katalog.<br><i>Reference</i> |  Kg | H   | L   | D   | Grubość<br><i>Thickness</i> |
|---------------------------------|--|-----|-----|-----|-----------------------------|
| 3950864                         | 18   | 400 | 600 | 450 | 1,5                         |




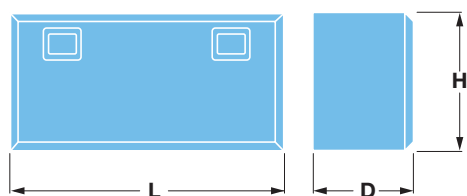
5



Skrzynka narzędziowa stal nierdzewna gr.  
*Tool-box stainless steel.*



| Nr katalog.<br><i>Reference</i> |  Kg | H   | L    | D   | Grubość<br><i>Thickness</i> |
|---------------------------------|--|-----|------|-----|-----------------------------|
| 3950865                         | 26   | 500 | 800  | 500 | 1,5                         |
| 3950866                         | 31   | 500 | 1000 | 500 | 1,5                         |



SKRZYNKI STALOWE - STEEL TOOLBOXES

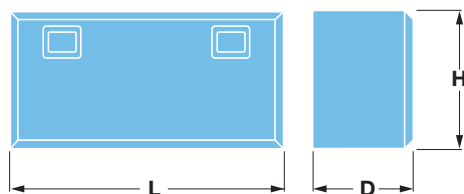
Skrzynka narzędziowa stal malowana na czarno gr. 1,5 mm.  
*Steel Tool-box + black powder coated.*

ECE  
R 73



| Nr katalog.<br>Reference | $\frac{\circ}{Kg}$ | H   | L    | D   | Grubość<br>Thickness |
|--------------------------|--------------------|-----|------|-----|----------------------|
| 3950873                  | 12                 | 300 | 600  | 300 | 1,5                  |
| 3950875                  | 17,5               | 400 | 600  | 450 | 1,5                  |
| 3950876                  | 26                 | 500 | 800  | 500 | 1,5                  |
| 3950877                  | 31                 | 500 | 1000 | 500 | 1,5                  |

5

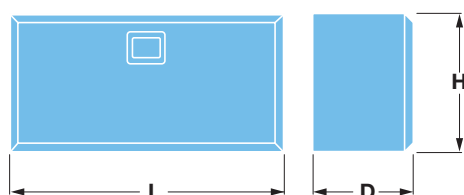


Skrzynka narzędziowa stal malowana na czarno.  
*Steel Tool-box + black powder coated.*

ECE  
R 73

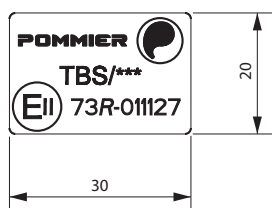


| Nr katalog.<br>Reference | $\frac{\circ}{Kg}$ | H   | L   | D   | Grubość<br>Thickness |
|--------------------------|--------------------|-----|-----|-----|----------------------|
| 3950872                  | 9                  | 300 | 400 | 300 | 1,5                  |
| 3950874                  | 13                 | 350 | 500 | 400 | 1,5                  |



Etykieta TBS/\*\*\*/ 73R-011127 dla Skrzynka narzędziowa  
stal nierdzewna i stal malowana na czarno.

*Label TBS/\*\*\*/ 73R-011127 for steel and stainless steel  
toolboxes.*




| Nr katalog.<br>Reference | Dla<br>For  |
|--------------------------|---|
| 3950863ET                | 3950864<br>3950865<br>3950866<br>3950873<br>3950875<br>3950876<br>3950877<br>3950872<br>3950874 |

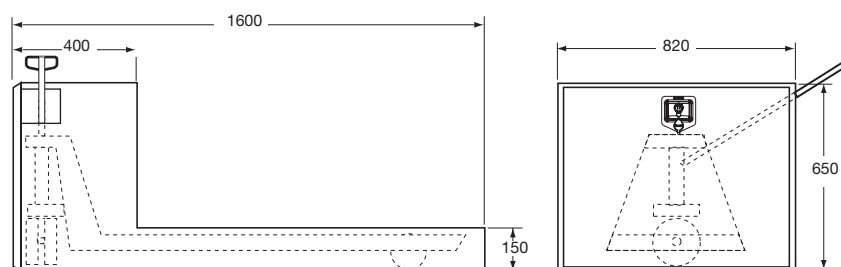


**SKRZYNKI NA WÓZKI TRANSPORTOWE - FORKLIFT TOOLBOXES**



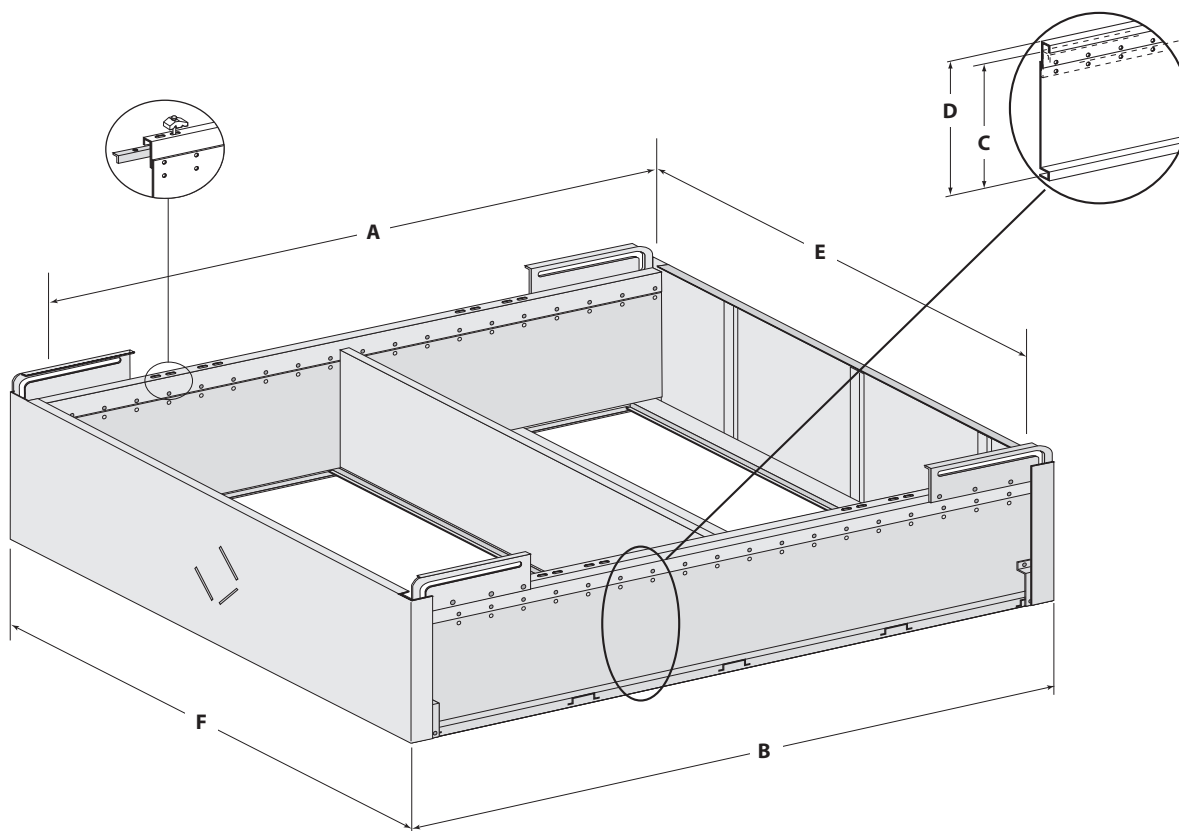
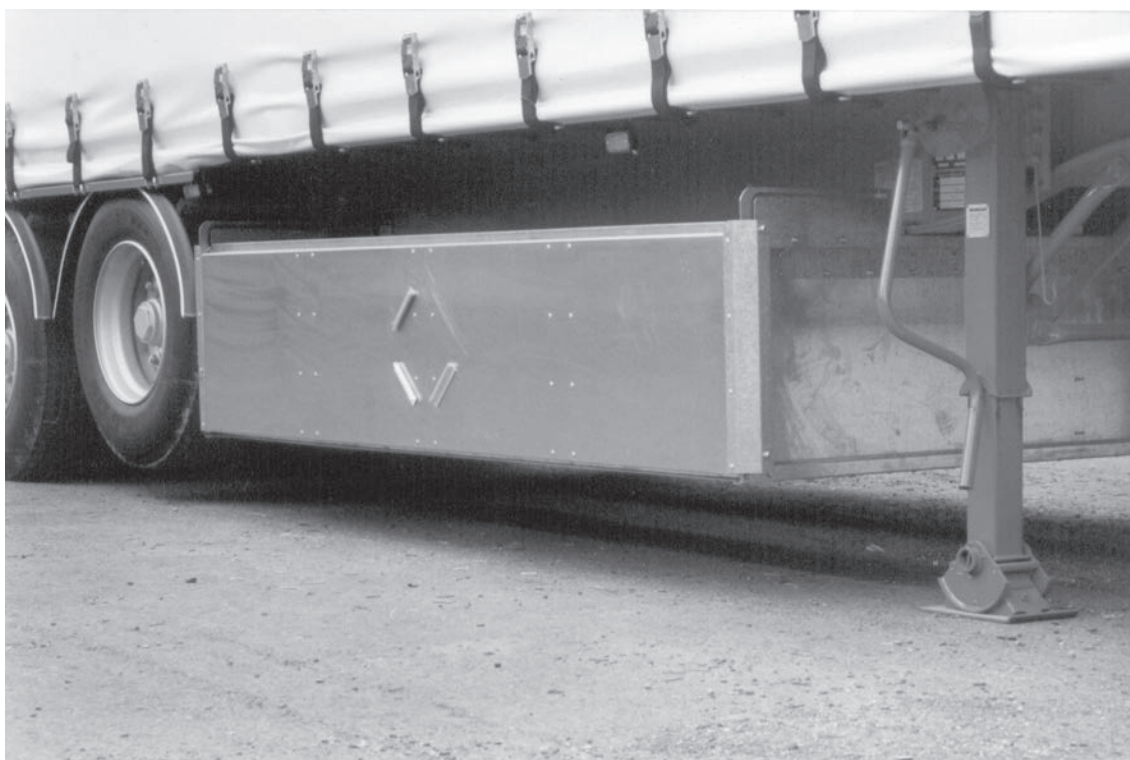
Skrzynka do wózka transportowego, blacha stalowa, lakierowana na czarno.  
*Transpallet box, steel, black powder coated.*

| Nr katalog.<br><i>Reference</i> |  <i>Kg</i> | Grubość<br><i>Thickness</i> |
|---------------------------------|---|-----------------------------|
| 3950850                         | 56  | 1,5                         |




SKRZYNKI NA PALETY - *PALLET BOXES*

5

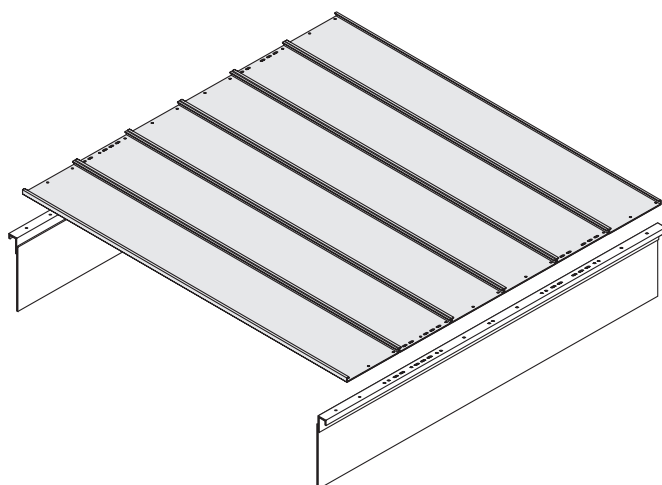


Skrzynia do palet, stal ocynkowana. Pojemność: 30 do 36 europalet 800x1200mm zależnie od ich wysokości ułożenia. Model z przykryciem i dnem (\*).

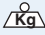
*Complete galvanized steel plate pallet box. Capacity : 30 or 36 europallets 800 x 1200 mm depending of the fitting height, with cover and floor (\*).*

| Nr katalog.<br>Reference |  Kg | A<br>(mm) | B<br>(mm) | C<br>(mm) | D<br>(mm) | E<br>(mm) | F<br>(mm) |
|--------------------------|--|-----------|-----------|-----------|-----------|-----------|-----------|
| 3950620                  | 280  | 2420      | 2480      | 530-580   | 570-620   | 2650      | 2750      |
| 3950621                  | 420  | 2420      | 2480      | 530-580   | 570-620   | 2650      | 2750 *    |

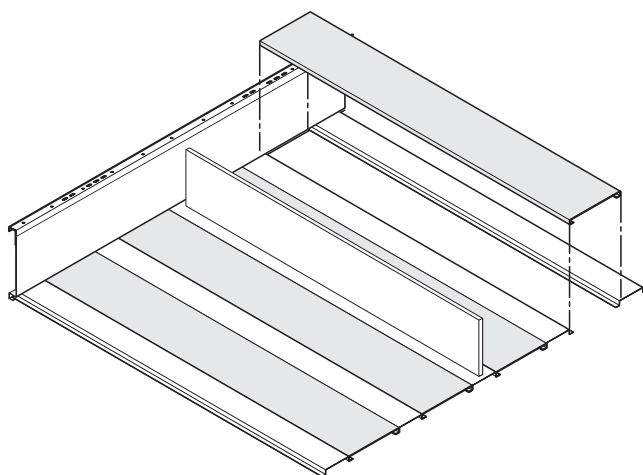
**SKRZYNKI NA PALETY - PALLET BOXES**




Podłoga skrzyni stal galwanizowana.  
*Pallet box cover's, galvanized steel.*

| Nr katalog.<br>Reference |  Kg |
|--------------------------|--|
| 3950621CO                | 77   |

**5**



Przykrywa skrzyni do przewozu palet, stal galwanizowana.  
*Pallet box closed floor's, galvanized steel.*

| Nr katalog.<br>Reference |  Kg |
|--------------------------|--|
| 3950621PF                | 45   |

SKRZYNKI PLASTIKOWE - PLASTIC TOOLBOXES

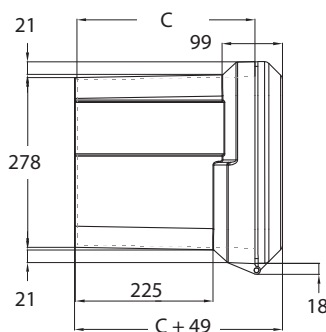
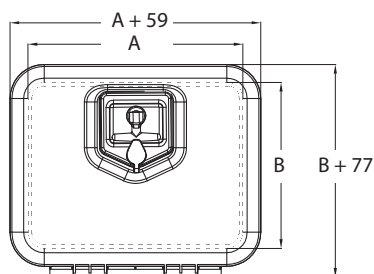
Schowek na narzędzia, czarny polipropylen, kompletny, z kątowymi wieszakami do mocowania (nie zamontowanymi) (\*) lub bez kątowych wieszaków (\*\*).



Black polypropylene toolbox with supports (not assembled) (\*) or without supports (\*\*).

| Nr katalog.<br>Reference | ⊕<br>Kg | A   | B   | C   | Typ<br>Type |
|--------------------------|---------|-----|-----|-----|-------------|
| 3950628                  | 4       | 351 | 271 | 291 | *           |
| 3950628SF                | 4       | 351 | 271 | 291 | **          |

5

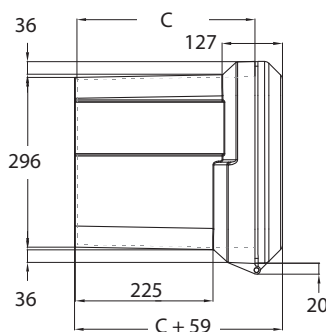
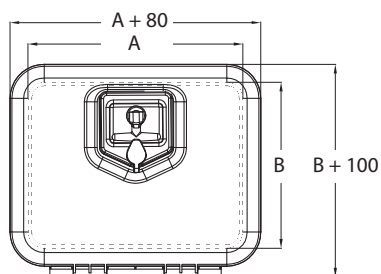


Schowek na narzędzia, czarny polipropylen, kompletny, z kątowymi wieszakami do mocowania (nie zamontowanymi) (\*) lub bez kątowych wieszaków (\*\*).



Black polypropylene toolbox with supports (not assembled) (\*) or without supports (\*\*).

| Nr katalog.<br>Reference | ⊕<br>Kg | A   | B   | C   | Typ<br>Type |
|--------------------------|---------|-----|-----|-----|-------------|
| 3950629                  | 8       | 400 | 300 | 342 | *           |
| 3950629SF                | 8       | 400 | 300 | 342 | **          |



SKRZYNKI PLASTIKOWE - PLASTIC TOOLBOXES

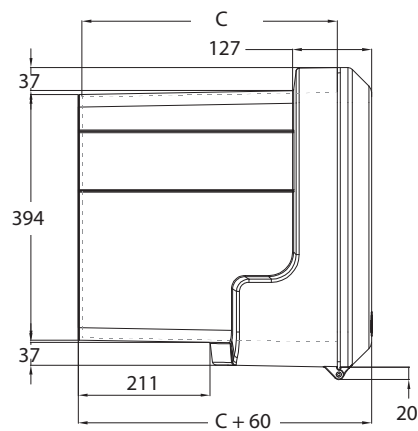
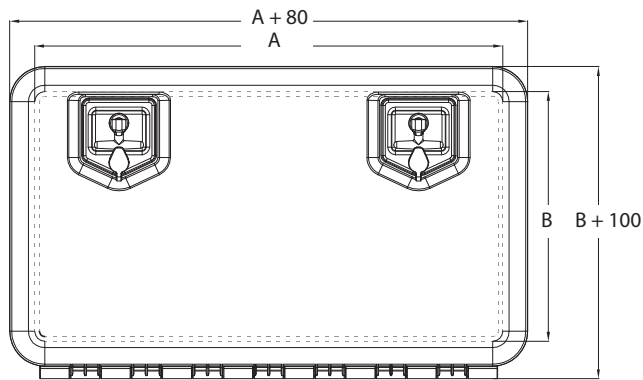


Schówek na narzędzia, czarny polipropylen, kompletny, z kątowymi wieszakami do mocowania (nie zamontowanymi) (\*) lub bez kątowych wieszaków (\*\*).



Black polypropylene toolbox with supports (not assembled) (\*) or without supports (\*\*).

| Nr katalog.<br>Reference | $\frac{\text{Kg}}{\text{kg}}$ | A   | B   | C   | Typ<br>Type |
|--------------------------|-------------------------------|-----|-----|-----|-------------|
| 3950634                  | 11,7                          | 550 | 350 | 420 | *           |
| 3950634SF                | 11,7                          | 550 | 350 | 420 | **          |
| 3950635                  | 15                            | 750 | 400 | 410 | *           |
| 3950635SF                | 15                            | 750 | 400 | 410 | **          |

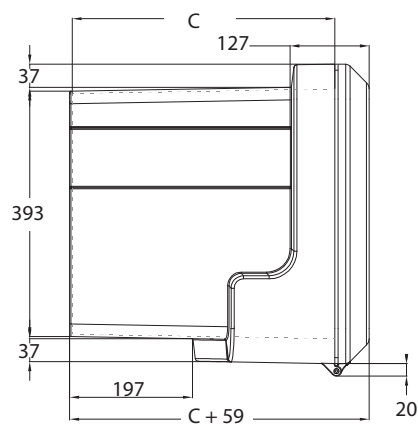
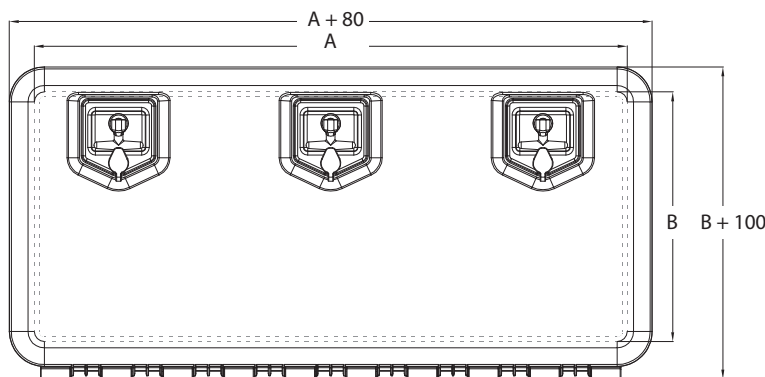


Schówek na narzędzia, czarny polipropylen, kompletny, z kątowymi wieszakami do mocowania (nie zamontowanymi) (\*) lub bez kątowych wieszaków (\*\*).



Black polypropylene toolbox with supports (not assembled) (\*) or without supports (\*\*).

| Nr katalog.<br>Reference | $\frac{\text{Kg}}{\text{kg}}$ | A   | B   | C   | Typ<br>Type |
|--------------------------|-------------------------------|-----|-----|-----|-------------|
| 3950636                  | 25                            | 950 | 400 | 421 | *           |
| 3950636SF                | 25                            | 950 | 400 | 421 | **          |



**SKRZYNKI PLASTIKOWE - PLASTIC TOOLBOXES**

5

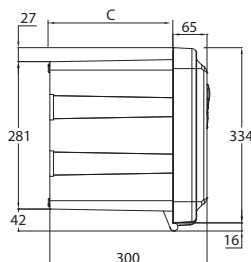
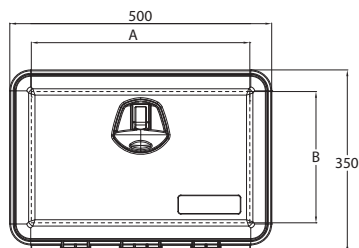


Schówek na narzędzia JUST 500 R, czarny polipropylen, kompletny, z kątowymi wieszakami do mocowania (nie zamontowanymi) (\*) lub bez kątowych wieszaków (\*\*).

*Black polypropylene toolbox JUST 500 R with supports (not assembled) (\*) or without supports (\*\*).*



| Nr katalog.<br>Reference | kg   | A   | B   | C   |
|--------------------------|------|-----|-----|-----|
| 3950680                  | 4,70 | 420 | 255 | 235 |
| 3950680SF                | 3,00 | 420 | 255 | 235 |

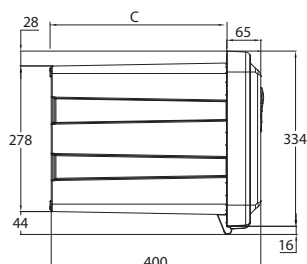
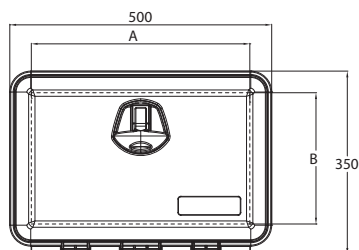


Schówek na narzędzia JUST 500, czarny polipropylen, kompletny, z kątowymi wieszakami do mocowania (nie zamontowanymi) (\*) lub bez kątowych wieszaków (\*\*).

*Black polypropylene toolbox JUST 500 with supports (not assembled) (\*) or without supports (\*\*).*



| Nr katalog.<br>Reference | kg   | A   | B   | C   |
|--------------------------|------|-----|-----|-----|
| 3950681                  | 5,00 | 420 | 255 | 335 |
| 3950681SF                | 3,30 | 420 | 255 | 335 |



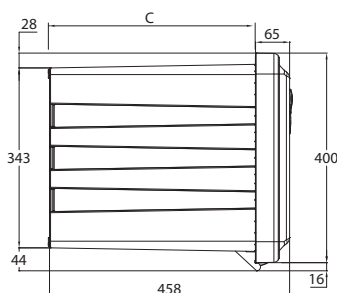
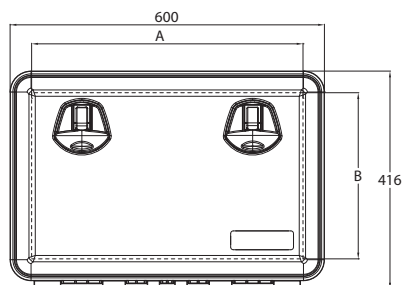
**SKRZYNKI PLASTIKOWE - PLASTIC TOOLBOXES**


Schówek na narzędzia JUST 600, czarny polipropylen, kompletny, z kątowymi wieszakami do mocowania (nie zamontowanymi) (\*) lub bez kątowych wieszaków (\*\*).

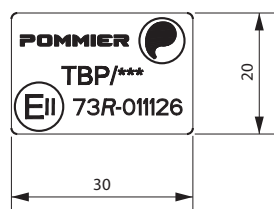
*Black polypropylene toolbox JUST 600 with supports (not assembled) (\*) or without supports (\*\*).*



| Nr katalog.<br>Reference | $\frac{\circ}{Kg}$ | A   | B   | C   |
|--------------------------|--------------------|-----|-----|-----|
| 3950682                  | 6,60               | 518 | 318 | 393 |
| 3950682SF                | 4,90               | 518 | 318 | 393 |



Etykieta TBP/\*\*\* 73R-011126 dla Schówek na narzędzia, czarny polipropylen.  
*Label TBP/\*\*\* 73R-011126 for plastic toolboxes.*



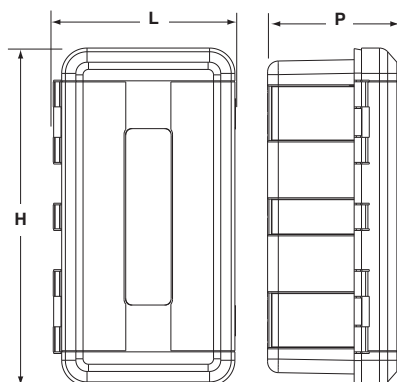
| Nr katalog.<br>Reference | Dla<br>For   |
|--------------------------|--|
| 3950637ET                | 3950628<br>3950628SF<br>3950629<br>3950629SF<br>3950634<br>3950634SF<br>3950635<br>3950635SF<br>3950636<br>3950636SF<br>3950380<br>3950380SF<br>3950681<br>3950381SF<br>3950682<br>3950682SF |

**SKRZYNKI NA GAŚNICE I AKCESORIA - EXTINGUISHER BOX AND ACCESSORIES**


Skrzynka na gaśnicę 6 kg.  
*Box for extinguisher 6 kg.*



| Nr katalog.<br>Reference | $\frac{\circ}{Kg}$ | H   | L   | P   |
|--------------------------|--------------------|-----|-----|-----|
| 3950595                  | 2,40               | 620 | 335 | 240 |

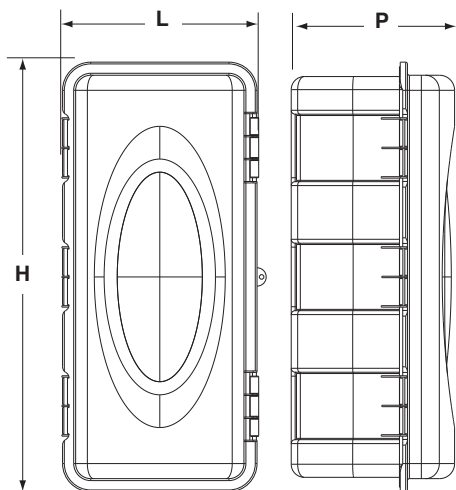


SKRZYNKI NA GAŚNICĘ I AKCESORIA - *EXTINGUISHER BOX AND ACCESSORIES*

Skrzynka na gaśnicę 6 kg.  
*Box for extinguisher 6 kg.*



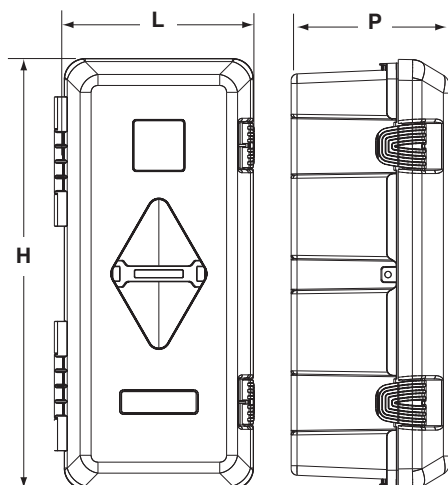
| Nr katalog.<br><i>Reference</i> | $\triangle$ Kg | H   | L   | P   |
|---------------------------------|----------------|-----|-----|-----|
| 3950603EI                       | 1,945          | 655 | 300 | 240 |



Skrzynka na gaśnicę 6 kg.  
*Box for extinguisher 6 kg.*



| Nr katalog.<br><i>Reference</i> | $\triangle$ Kg | H   | L   | P   |
|---------------------------------|----------------|-----|-----|-----|
| 3950606EI                       | 4,7            | 675 | 310 | 250 |




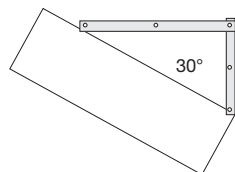
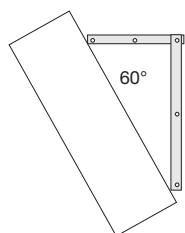


**SKRZYNKI NA GAŚNICĘ I AKCESORIA - EXTINGUISHER BOX AND ACCESSORIES**



Skrzynka na gaśnicę 6kg, wypełnianie z góry.  
*Box for extinguisher 6 kg, loading by the top.*



| Nr katalog.<br>Reference |  Kg | H   | L   | P   |
|--------------------------|--|-----|-----|-----|
| 3950607                  | 3,074  | 640 | 250 | 250 |

**5**



Zestaw mocowań skrzynki na gaśnicę 3950607.  
*Support kit for extinguisher box 3950607.*

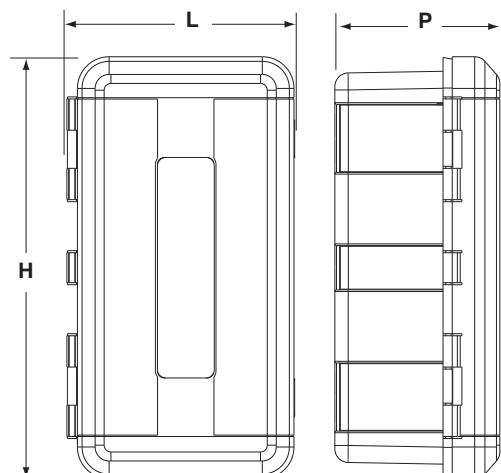
| Nr katalog.<br>Reference |  Kg | Dla<br>For |
|--------------------------|--|------------|
| 3950607SU                | 2,23   | 3950607    |



Skrzynia na gaśnicę 6 i 9 kg.  
*Box for extinguisher 6 and 9 kg.*



| Nr katalog.<br>Reference |  Kg | H   | L   | P   |
|--------------------------|--|-----|-----|-----|
| 3950596                  | 2,70   | 715 | 335 | 240 |



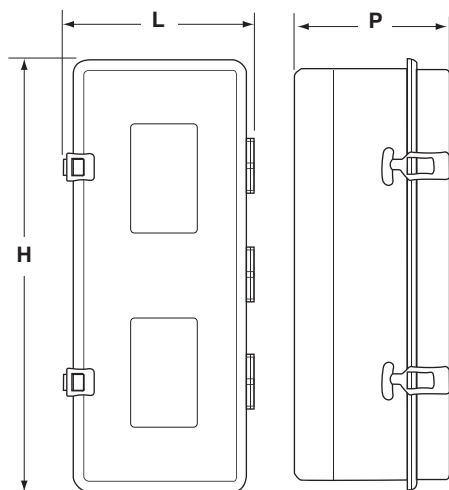
SKRZYNKI NA GAŚNICE I AKCESORIA - **EXTINGUISHER BOX AND ACCESSORIES**

Skrzynka na gaśnicę 6 i 9 kg.  
Box for extinguisher 6 and 9 kg.



| Nr katalog.<br>Reference | ⚠<br>Kg | H   | L   | P   |
|--------------------------|---------|-----|-----|-----|
| 3950604                  | 4,5     | 786 | 318 | 230 |

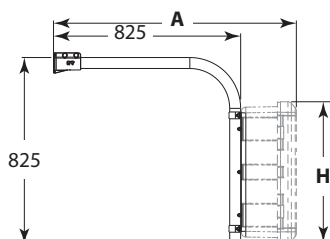
5



Zestaw wsporników sam e2-R73-0112211-00.  
Support kit e2-R73-0112211-00.



| Nr katalog.<br>Reference | ⚠<br>Kg | A    | H   | Dla<br>For | Skład<br>Composition                                     |
|--------------------------|---------|------|-----|------------|--|
| 3950595KS                | 10,70   | 1069 | 620 | 3950595    | 3950595PL  |
|                          |         |      | 715 | 3950596    | 3109054 X2<br>3109051 X1<br>3109056GA X1<br>3950595KV X1 |



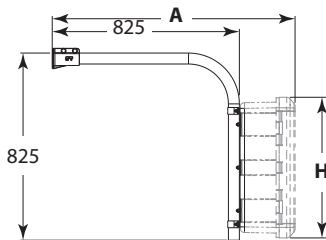
SKRZYNKI NA GAŚNICE I AKCESORIA - *EXTINGUISHER BOX AND ACCESSORIES*



Zestaw wsporników sam e2-R73-0112211-00.  
*Support kit e2-R73-0112211-00.*



| Nr katalog.<br><i>Reference</i> | $\frac{\circ}{Kg}$ | A    | H   | Dla<br><i>For</i> | Skład<br><i>Composition</i>  |
|---------------------------------|--------------------|------|-----|-------------------|--|
| 3950603KS                       | 10,42              | 1067 | 655 | 3950603EI         | 3950603PL X1<br>3109054 X2<br>3109051 X1<br>3109056GA X1<br>3950595KV X1 |



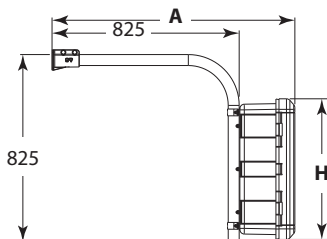
5



Zestaw wsporników 3950595KS e2-R73-0112211-00 ze skrzynią na gaśnicę 3950595.  
*Support kit 3950595KS e2-R73-0112211-00 with extinguisher box for 3950595.*



| Nr katalog.<br><i>Reference</i> | $\frac{\circ}{Kg}$ | Dla<br><i>For</i> | Skład<br><i>Composition</i>  |
|---------------------------------|--------------------|-------------------|--|
| 3950595KSE                      | 13,10              | 3950595           | 3950595 x1<br>3950595PL x1<br>3109054 x1<br>3109051 x1<br>3109056GA x1<br>3950595KV x1 |



**SKRZYŃKI NA GAŚNICE I AKCESORIA - EXTINGUISHER BOX AND ACCESSORIES**

5

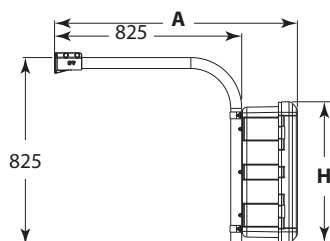


Zestaw wsporników 3950595KS e2-R73-0112211-00 ze skrzynią na gaśnicę 3950596.

*Support kit 3950595KS e2-R73-0112211-00 with extinguisher box for 3950596.*



| Nr katalog.<br>Reference | kg    | Dla<br>For | Skład<br>Composition   |
|--------------------------|-------|------------|--|
| 3950596KSE               | 13,40 | 3950596    | 3950596 x1<br>3950595PL x1<br>3109054 x1<br>3109051 x1<br>3109056GA x1<br>3950595KV x1 |

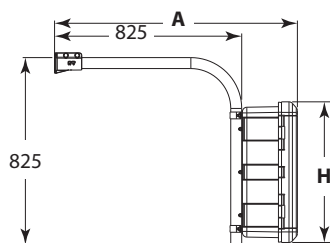


Zestaw wsporników 3950603KS e2-R73-0112211-00 ze skrzynią na gaśnicę 3950603EI.

*Support kit 3950603KS e2-R73-0112211-00 with extinguisher box for 3950603EI.*



| Nr katalog.<br>Reference | kg     | Dla<br>For | Skład<br>Composition   |
|--------------------------|--------|------------|--|
| 3950603KSE               | 12,365 | 3950603EI  | 3950603EI x1<br>3950603PL x1<br>3109054 x1<br>3109051 x1<br>3109056GA x1<br>3950595KV x1 |



**SKRZYNKI NA GAŚNICE Z GAŚNICAMI - EXTINGUISHER BOX WITH EXTINGUISHER**




Skrzynka 3950595 + gaśnica 6 kg 3950616.  
*Box 3950595 + extinguisher 6 kg 3950616.*

| Nr katalog.<br>Reference |  |
|--------------------------|---|
| 3950595KC                | 12,05   |



Skrzynka 3950603EI + gaśnica 6 kg 3950616.  
*3950603EI box + 3950616 6 kg extinguisher.*

| Nr katalog.<br>Reference |  |
|--------------------------|---|
| 3950601KC                | 12,5  |

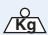


Skrzynka 3950606EI + gaśnica 6 kg 3950616.  
*3950606EI box + 3950616 6 kg extinguisher.*

| Nr katalog.<br>Reference |  |
|--------------------------|---|
| 3950606KC                | 14,35   |



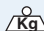
Skrzynka 3950607 + gaśnica 6 kg 3950616.  
*3950607 box + 3950616 6 kg extinguisher.*

| Nr katalog.<br>Reference |  |
|--------------------------|---|
| 3950607KC                | 12,775  |

SKRZYNKI NA GAŚNICE Z GAŚNICAMI - *EXTINGUISHER BOX WITH EXTINGUISHER*

Skrzynka 3950596 + gaśnica 9 kg 3950617.  
*Box 3950596 + extinguisher 9 kg 3950617.*



| Nr katalog.<br>Reference |  |
|--------------------------|---|
| 3950596KC                | 17,35   |

Skrzynka 3950604 + gaśnica 9 kg 3950617.  
*3950604 box + 3950617 9 kg extinguisher.*



| Nr katalog.<br>Reference |  |
|--------------------------|---|
| 3950604KC                | 18,200  |

**WSPORNIKI DO SKRZYŃ - TOOLBOXES SUPPORTS**




Sam zestaw wsporników dla skrzynki narzędziowej, polipropylen.  
*Support set for polypropylene toolbox.*

| Nr katalog.<br>Reference | Dla<br>For                          |
|--------------------------|-------------------------------------|
| 3950634SU                | 3950634SF<br>3950635SF<br>3950636SF |

5



Zespół do mocowania poziomego dla 3950634, 3950635SF, 3950636SF.  
*Horizontal supports kit for 3950634, 3950635SF, 3950636SF.*

| Nr katalog.<br>Reference |  Kg |
|--------------------------|--|
| 3950634SH                | 4,585  |

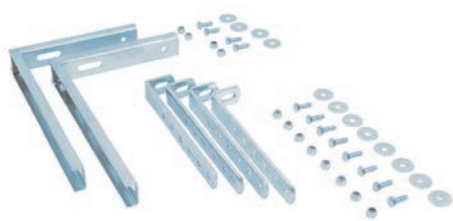


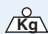
Sam zestaw wsporników dla skrzynki narzędziowej, polipropylen JUST dla 3950680SF, 3950681SF et 3950682SF.  
*Support set for polypropylene toolbox JUST 3950680SF, 3950681SF and 3950682SF.*

| Nr katalog.<br>Reference |  Kg |
|--------------------------|--|
| 3950680SU                | 1,70   |

**WSPORNIKI DO SKRZYŃ - TOOLBOXES SUPPORTS**

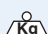
Sam zestaw wsporników dla skrzynki narzędziowej, polipropylen JUST dla 3950682SF.  
*Support set for polypropylene toolbox JUST 3950682SF.*



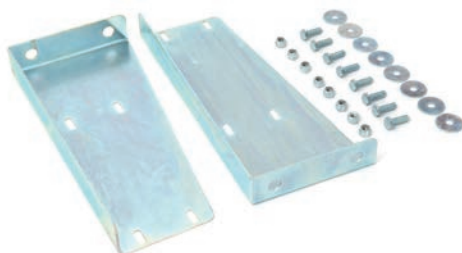
| Nr katalog.<br>Reference |  |
|--------------------------|---|
| 3950682SU                | 2,15  |


Zespół do mocowania poziomego dla 3950681SF.  
*Horizontal supports kit for 3950681SF.*



| Nr katalog.<br>Reference |  |
|--------------------------|---|
| 3950681SH                | 2,35  |

Zespół do mocowania poziomego dla 3950682SF.  
*Horizontal supports kit for 3950682SF.*

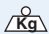


| Nr katalog.<br>Reference |  |
|--------------------------|---|
| 3950682SH                | 4,30  |




**KLAMKI SAME - HANDLES**


Rączka z tworzywa dla skrzynki narzędziowej, polipropylen.  
*Plastic handle for polypropylene toolbox.*

| Nr katalog.<br>Reference |  /Kg | Dla<br>For                                       |
|--------------------------|---|--|
| 3950634PO                | 0,269   | 3950629SF<br>3950634SF<br>3950635SF<br>3950636SF |

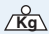


Rączka stalowa do skrzynki narzędziowej stalowej.  
*Steel handle for steel toolbox.*

| Nr katalog.<br>Reference |  /Kg |
|--------------------------|---|
| 3950872PO                | 0,210   |



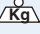
Rączka ze stali nierdzewnej do skrzynki narzędziowej, stal nierdzewna.  
*Stainless steel handle for stainless steel toolbox.*

| Nr katalog.<br>Reference |  /Kg |
|--------------------------|---|
| 3950864PO                | 0,600   |

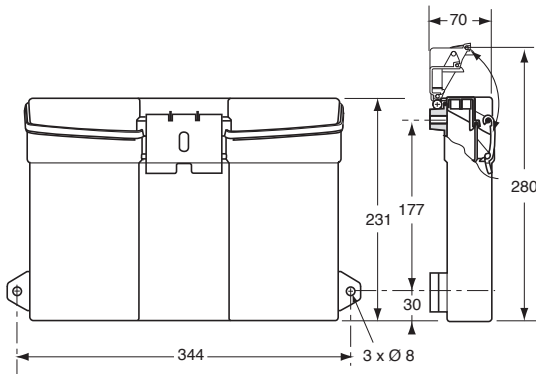
**SCHOWEK NA DOKUMENTY, ZBIORNIKI I MOCOWANIA - DOCUMENTS-BOX, TANK AND SUPPORT**

Schowek na dokumenty, prostokątny, z szarego kompozytu.  
*Grey composite rectangular document-box.*



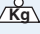
| Nr katalog.<br>Reference |  Kg |
|--------------------------|--|
| 3805130                  | 0,55   |

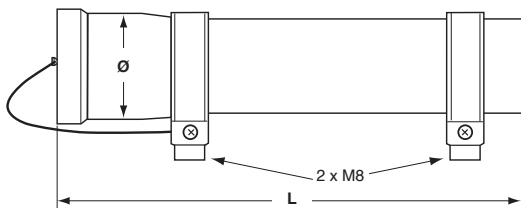
5



Pojemnik na dokumenty, szczelny, szare tworzywo sztuczne.  
*Waterproof document-box in grey plastic.*



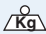
| Nr katalog.<br>Reference |  Kg | Ø   | Długość<br>Length |
|--------------------------|--|-----|-------------------|
| 3805132                  | 0,683  | 110 | 330               |
| 3805133                  | 0,386  | 75  | 330               |



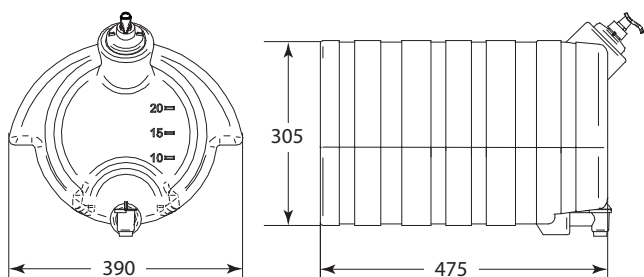
**SCHOWEK NA DOKUMENTY, ZBIORNIKI I MOCOWANIA - DOCUMENTS-BOX, TANK AND SUPPORT**



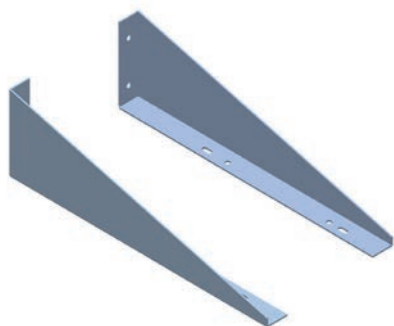
Zbiornik na wodę z kranem i dozownikiem mydła.  
*Water tank with tap and soap holder.*


| Nr katalog.<br>Reference |  Kg |
|--------------------------|--|
| 3950624                  | 2.60   |

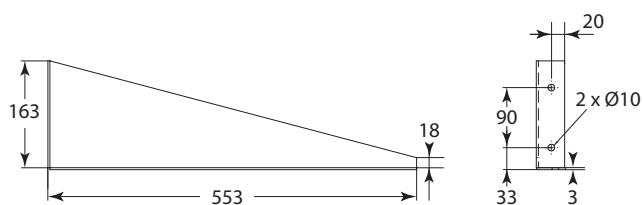
5



Zestaw wspornik dla zbiornika z wodą 3950624.  
*Kit of brackets for water tank 3950624.*



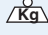
| Nr katalog.<br>Reference |  Kg |
|--------------------------|--|
| 3950624SU                | 3.630  |



SCHOWEK NA DOKUMENTY, ZBIORNIKI I MOCOWANIA - *DOCUMENTS-BOX, TANK AND SUPPORT*

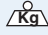
Kran.  
*Tap.*

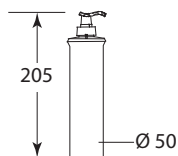


| Nr katalog.<br><i>Reference</i> |  |
|---------------------------------|---|
| 3950624RO                       | 0.024   |

Dozownik mydła.  
*Soap holder.*



| Nr katalog.<br><i>Reference</i> |  |
|---------------------------------|---|
| 3950624DS                       | 0.10  |



5

# BŁOTNIKI / FARTUCHY / AKCESORIA DO KÓŁ

Błotniki, chlapacze, podstawki pod koła, wciągarka pod koła

## MUDGUARDS/MUD FLAPS/WHEEL ACCESSORIES

Mudguards, mud flaps, wheel shock, spare wheel carrier





Prezentacja naszej gamy błotników PARLOK jest przedstawiona w formie tabeli zgodności OPONY / BŁOTNIKI, w której kryterium wyjściowym jest rozmiar opon, kolejno występuje referencja PARLOK dla błotnika, najlepiej przystosowana do **dyrektywy 109/2011/EWG**. Należy pamiętać, że wymogi dotyczące miejsca lub standardy poszczególnych konstruktorów mogą wymagać użycia błotników węższych bądź szerszych niż błotniki typu podanego w tabeli. Mamy nadzieję, że tabela zgodności ułatwi wybór błotników PARLOK i pozwoli naszym klientom na wybór najlepszego rozwiązania.

*We have coordinated our range of PARLOK mudguards to a conversion list, TYRE / MUDGUARD, where the entry key is the tyre dimension, followed by the PARLOK-code number for the most suitable mudguard to european regulation 109/2011/EEC.*

*Please note that space requirements or manufacturer's standards may necessitate the use of a slightly smaller or larger mudguard than the one suggested by us.*

*We hope that this conversion list will make it easier for you and many other users of PARLOK mudguards to choose the correct mudguard for a specific type of tyre.*

| Rozmiar opon  | Wymiary opon / Tyre Size |                                  | Max Ø | White Line   |         | Flat Top  |         | Supra Spray Suppression |         |
|---------------|--------------------------|----------------------------------|-------|--------------|---------|-----------|---------|-------------------------|---------|
|               | Szerokość                | Odległość od środka obręczy koła |       | Sprzężony    | Prosty  | Sprzężony | Prosty  | Sprzężony               | Prosty  |
|               | Tyre Size                | Width                            |       | Dual spacing | Twin    | Single    | Twin    | Single                  | Twin    |
| 8.25 R 15     | 237                      | 267                              | 830   | 5123175      |         | 5023950   |         | 5165520                 |         |
| 10.00 R 15    | 283                      | 308                              | 942   | 5122170      |         |           |         | 5165920                 |         |
| 7.00 R 16     | 204                      | 230                              | 795   | 5125000      |         | 5023950   | 5026560 | 5165019                 |         |
| 7.50 R 16     | 216                      | 240                              | 814   | 5124170      |         | 5023950   |         | 5165020                 |         |
| 8.25 R 16     | 237                      | 264                              | 874   | 5123175      |         | 5024188   |         | 5165520                 |         |
| 9.00 R 16     | 253                      | 274                              | 927   | 5123175      |         | 5024188   |         | 5165520                 |         |
| 255/100 R 16  | 262                      | 282                              | 936   | 5123175      |         | 5024188   |         | 5165520                 |         |
| 305/95 R 16   | 300                      | 335                              | 1010  | 5120165      |         |           |         | 5166520                 |         |
| 325/85 R 16   | 341                      |                                  | 980   |              | 5124018 |           |         |                         | 5164026 |
| 8.25 R 17     | 237                      |                                  | 900   | 5123175      |         | 5024188   |         | 5165520                 |         |
| 205/75 R 17,5 | 214                      | 250                              | 765   | 5124160      |         | 5023950   | 5026560 | 5165019                 |         |
| 215/75 R 17,5 | 222                      | 260                              | 779   | 5124160      |         | 5023950   | 5026560 | 5165019                 |         |
| 225/75 R 17,5 | 237                      | 266                              | 797   | 5123171      |         | 5024188   |         | 5165519                 |         |
| 235/75 R 17,5 | 245                      | 282                              | 811   | 5123171      |         | 5024188   |         | 5165519                 |         |
| 245/75 R 17,5 | 260                      | 290                              | 827   | 5123171      |         | 5024188   |         | 5165519                 |         |
| 225/70 R 17,5 | 235                      | 263                              | 773   | 5124170      |         | 5023950   | 5026560 | 5165019                 |         |
| 245/70 R 17,5 | 260                      | 290                              | 803   | 5123171      |         | 5024188   |         | 5165519                 |         |
| 265/70 R 17,5 | 275                      | 298                              | 831   | 5122170      |         |           |         | 5165920                 |         |
| 205/65 R 17,5 | 214                      | 234                              | 721   | 5125000      |         | 5025137   | 5026560 | 5165019                 |         |
| 355/45 R 17,5 | 368                      |                                  | 777   |              | 5124018 |           |         |                         | 5164026 |
| 8 R 17,5      | 214                      | 234                              | 794   | 5125000      |         | 5023950   | 5026560 | 5165019                 |         |
| 8.5 R 17,5    | 221                      | 236                              | 813   | 5124160      |         | 5023950   |         | 5165019                 |         |
| 9 R 17,5      | 237                      | 260                              | 831   | 5124160      |         | 5023950   |         | 5165019                 |         |
| 9.5 R 17,5    | 247                      | 272                              | 854   | 5123175      |         | 5024188   |         | 5165520                 |         |
| 10 R 17,5     | 262                      | 282                              | 870   | 5122170      |         | 5024188   |         | 5165920                 |         |
| 11 R 17,5     | 287                      | 318                              | 914   | 5120940      |         |           |         | 5166320                 |         |
| 245/70 R 19,5 | 260                      | 288                              | 853   | 5123171      |         | 5024188   |         | 5165519                 |         |
| 265/70 R 19,5 | 275                      | 309                              | 881   | 5122170      |         |           |         | 5165920                 |         |
| 285/70 R 19,5 | 297                      | 332                              | 911   | 5120940      |         |           |         | 5166320                 |         |
| 305/70 R 19,5 | 320                      | 354                              | 941   | 5110185      | 5124018 |           |         | 5166822                 | 5164026 |
| 315/70 R 19,5 | 328                      | 362                              | 937   | 5110185      | 5124018 |           |         | 5166822                 | 5164026 |
| 245/65 R 19,5 | 248                      | 280                              | 814   | 5123175      |         |           |         | 5165520                 |         |
| 385/65 R 19,5 | 405                      |                                  | 1020  |              | 5124018 |           |         |                         | 5164026 |
| 445/65 R 19,5 | 477                      |                                  | 1097  |              | 5124214 |           |         |                         | 5165025 |

TABELA ZGODNOŚCI OPONY / BŁOTNIKI  
CONVERSION LIST TYRE / MUDGUARD

| Rozmiar opon  | Wymiary opon / Tyre Size |                                  |              | White Line |         | Flat Top  |         | Supra Spray Suppression |         |         |
|---------------|--------------------------|----------------------------------|--------------|------------|---------|-----------|---------|-------------------------|---------|---------|
|               | Szerokość                | Odległość od środka obręczy koła | Max Ø        | Sprzężony  | Prosty  | Sprzężony | Prosty  | Sprzężony               | Prosty  |         |
|               | Tyre Size                | Width                            | Dual spacing | Max Ø      | Twin    | Single    | Twin    | Single                  | Twin    | Single  |
| 255/60 R 19,5 | 260                      | 290                              | 813          | 5122157    |         |           |         |                         | 5165918 |         |
| 425/55 R 19,5 | 442                      |                                  | 981          |            | 5124818 |           |         |                         |         | 5164821 |
| 385/55 R 19,5 | 400                      |                                  | 936          |            | 5124018 |           |         |                         |         | 5164026 |
| 265/55 R 19,5 | 265                      | 295                              | 799          | 5120953    |         |           |         |                         | 5166319 |         |
| 435/50 R 19,5 | 460                      |                                  | 949          |            | 5124818 |           |         |                         |         | 5164821 |
| 445/45 R 19,5 | 458                      |                                  | 910          |            | 5124818 |           |         |                         |         | 5164821 |
| 7 R 19,5      | 191                      | 209                              | 809          | 5125000    |         |           | 5023950 |                         | 5165019 |         |
| 8 R 19,5      | 214                      | 229                              | 867          | 5124170    |         |           | 5023950 |                         | 5165020 |         |
| 9 R 19,5      | 237                      | 260                              | 906          | 5124870    |         |           | 5024188 |                         | 5165021 |         |
| 9.5 R 19,5    | 247                      | 274                              | 926          | 5123175    |         |           | 5024188 |                         | 5165520 |         |
| 10 R 19,5     | 262                      | 292                              | 949          | 5121180    |         |           | 5024188 |                         | 5166022 |         |
| 11 R 19,5     | 287                      | 317                              | 984          | 5120940    |         |           |         |                         | 5166320 |         |
| 12 R 19,5     | 309                      | 341                              | 1023         | 5120185    | 5124018 |           |         |                         | 5166520 | 5164026 |
| 15 R 19,5     | 399                      |                                  | 998          |            | 5124018 |           |         |                         |         | 5164026 |
| 16.5 R 19,5   | 438                      |                                  | 1063         |            | 5126190 |           |         |                         |         | 5164323 |
| 18 R 19,5     | 471                      |                                  | 1100         |            | 5124214 |           |         |                         |         | 5165025 |
| 19.5 R 19,5   | 495                      |                                  | 1134         |            | 5124214 |           |         |                         |         | 5165025 |
| 6.50 R 20     | 186                      | 216                              | 871          | 5124870    |         |           | 5023950 |                         | 5165021 |         |
| 7.00 R 20     | 204                      | 222                              | 904          | 5124870    |         |           | 5024188 |                         | 5165021 |         |
| 7.50 R 20     | 216                      | 243                              | 941          | 5124818    |         |           | 5024188 |                         | 5164821 |         |
| 8.25 R 20     | 237                      | 273                              | 976          | 5121180    |         |           | 5024188 |                         | 5166022 |         |
| 9.00 R 20     | 266                      | 296                              | 1033         | 5121050    |         |           |         |                         | 5166123 |         |
| 10.00 R 20    | 283                      | 319                              | 1068         | 5121050    | 5126503 |           |         |                         | 5166123 | 5164023 |
| 11.00 R 20    | 295                      | 339                              | 1099         | 5120190    | 5126503 |           |         |                         | 5166523 | 5164023 |
| 12.00 R 20    | 319                      | 358                              | 1140         | 5110300    | 5126190 |           |         |                         | 5166724 | 5164323 |
| 13.00 R 20    | 346                      |                                  | 1196         |            | 5125020 |           |         |                         |         | 5164524 |
| 14.00 R 20    | 377                      |                                  | 1260         |            |         |           |         |                         |         |         |
| 385/90 R 20   | 398                      |                                  | 1270         |            |         |           |         |                         |         |         |
| 225/90 R 20   | 240                      | 276                              | 926          | 5123175    |         |           |         |                         | 5165520 |         |
| 365/85 R 20   | 382                      |                                  | 1152         |            | 5126503 |           |         |                         |         | 5164023 |
| 395/85 R 20   | 405                      |                                  | 1206         |            | 5125020 |           |         |                         |         | 5164524 |
| 12/80 R 20    | 314                      | 349                              | 1023         | 5110190    | 5126503 |           |         |                         | 5166823 | 5164023 |
| 13/80 R 20    | 336                      |                                  | 1064         |            | 5126503 |           |         |                         |         | 5164023 |
| 14/80 R 20    | 361                      |                                  | 1107         |            | 5126503 |           |         |                         |         | 5164023 |
| 14.75/80 R 20 | 381                      |                                  | 1142         |            | 5126190 |           |         |                         |         | 5164323 |
| 15.5/80 R 20  | 396                      |                                  | 1177         |            | 5126190 |           |         |                         |         | 5164323 |
| 335/80 R 20   | 350                      |                                  | 1066         |            | 5126503 |           |         |                         |         | 5164023 |
| 365/80 R 20   | 382                      |                                  | 1116         |            | 5126190 |           |         |                         |         | 5164323 |
| 475/80 R 20   | 498                      |                                  | 1298         |            | 5124214 |           |         |                         |         | 5165025 |
| 475/60 R 20   | 475                      |                                  | 1078         |            | 5124214 |           |         |                         |         | 5165025 |
| 12/80 R 22,5  | 320                      | 344                              | 1064         | 5110190    | 5126503 |           |         |                         | 5166823 | 5164023 |
| 385/95 R 22,5 | 398                      |                                  | 1270         |            | 5125022 |           |         |                         |         | 5164524 |
| 375/90 R 22,5 | 387                      |                                  | 1276         |            | 5125022 |           |         |                         |         | 5164524 |
| 275/80 R 22,5 | 290                      | 324                              | 1030         | 5120190    | 5126503 |           |         |                         | 5166523 | 5164023 |
| 295/80 R 22,5 | 313                      | 348                              | 1062         | 5110190    | 5126503 |           |         |                         | 5166823 | 5164023 |
| 315/80 R 22,5 | 328                      | 363                              | 1096         | 5112190    | 5126503 |           |         |                         | 5167223 | 5164023 |
| 215/75 R 22,5 | 211                      | 246                              | 894          | 5124870    |         |           | 5023950 |                         | 5165021 |         |
| 295/75 R 22,5 | 313                      | 348                              | 1032         | 5110190    | 5126503 |           |         |                         | 5166823 | 5164023 |

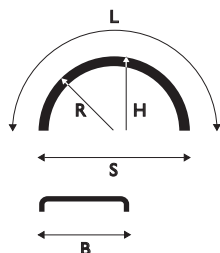


| Rozmiar opon  | Wymiary opon / Tyre Size |                                  |                     | White Line   |             | Flat Top      |             | Supra Spray Suppression |             |
|---------------|--------------------------|----------------------------------|---------------------|--------------|-------------|---------------|-------------|-------------------------|-------------|
|               | Szerokość                | Odległość od środka obręczy koła | Max Ø               | Sprężony     | Prosty      | Sprężony      | Prosty      | Sprężony                | Prosty      |
|               | <i>Tyre Size</i>         | <i>Width</i>                     | <i>Dual spacing</i> | <i>Max Ø</i> | <i>Twin</i> | <i>Single</i> | <i>Twin</i> | <i>Single</i>           | <i>Twin</i> |
| 315/75 R 22,5 | 328                      | 360                              | 1063                | 5112190      | 5126503     |               |             | 5167223                 | 5164023     |
| 345/75 R 22,5 | 365                      |                                  | 1111                |              | 5126503     |               |             |                         | 5164023     |
| 350/75 R 22,5 | 364                      |                                  | 1097                |              | 5126503     |               |             |                         | 5164023     |
| 445/75 R 22,5 | 462                      |                                  | 1266                |              | 5124214     |               |             |                         | 5165025     |
| 255/70 R 22,5 | 268                      | 297                              | 944                 | 5122170      |             |               |             | 5165920                 |             |
| 275/70 R 22,5 | 290                      | 322                              | 973                 | 5120940      |             |               |             | 5166320                 |             |
| 295/70 R 22,5 | 313                      | 330                              | 1005                | 5120190      | 5126503     |               |             | 5166523                 | 5164023     |
| 305/70 R 22,5 | 320                      | 349                              | 1018                | 5110190      | 5126503     |               |             | 5166823                 | 5164023     |
| 315/70 R 22,5 | 328                      |                                  | 1032                | 5110190      | 5126503     |               |             | 5166823                 | 5164023     |
| 365/70 R 22,5 | 380                      |                                  | 1104                |              | 5126503     |               |             |                         | 5164023     |
| 385/65 R 22,5 | 408                      |                                  | 1092                |              | 5126190     |               |             |                         | 5164323     |
| 425/65 R 22,5 | 452                      |                                  | 1146                |              | 5125020     |               |             |                         | 5164524     |
| 445/65 R 22,5 | 477                      |                                  | 1174                |              | 5124214     |               |             |                         | 5165025     |
| 265/60 R 22,5 | 275                      | 300                              | 890                 | 5122170      |             |               |             | 5165920                 |             |
| 285/60 R 22,5 | 299                      | 327                              | 928                 | 5120940      |             |               |             | 5166320                 |             |
| 295/60 R 22,5 | 307                      | 333                              | 940                 | 5120185      |             |               |             | 5166520                 |             |
| 305/60 R 22,5 | 312                      | 348                              | 952                 | 5110185      | 5124018     |               |             | 5166822                 | 5164026     |
| 315/60 R 22,5 | 319                      | 360                              | 966                 | 5110185      | 5124018     |               |             | 5166822                 | 5164026     |
| 385/55 R 22,5 | 401                      |                                  | 1012                |              | 5124018     |               |             |                         | 5164026     |
| 455/55 R 22,5 | 470                      |                                  | 1092                |              | 5124818     |               |             |                         | 5164821     |
| 355/50 R 22,5 | 375                      |                                  | 942                 |              | 5124018     |               |             |                         | 5164026     |
| 445/50 R 22,5 | 463                      |                                  | 1036                |              | 5124818     |               |             |                         | 5164821     |
| 415/45 R 22,5 | 433                      |                                  | 960                 |              | 5124818     |               |             |                         | 5164821     |
| 435/45 R 22,5 | 457                      |                                  | 980                 |              | 5124818     |               |             |                         | 5164821     |
| 455/45 R 22,5 | 461                      |                                  | 998                 |              | 5124818     |               |             |                         | 5164821     |
| 495/45 R 22,5 | 519                      |                                  | 1036                |              | 5122300     |               |             |                         | 5165823     |
| 445/40 R 22,5 | 453                      |                                  | 936                 |              | 5124818     |               |             |                         | 5164821     |
| 455/40 R 22,5 | 453                      |                                  | 936                 |              | 5124818     |               |             |                         | 5164821     |
| 8 R 22,5      | 214                      | 247                              | 947                 | 5124818      |             | 5024188       |             | 5164821                 |             |
| 9 R 22,5      | 237                      | 260                              | 982                 | 5121180      |             |               |             | 5166022                 |             |
| 10 R 22,5     | 262                      | 286                              | 1033                | 5122300      |             |               |             | 5165823                 |             |
| 11 R 22,5     | 287                      | 318                              | 1064                | 5121050      | 5126503     |               |             | 5166123                 | 5164023     |
| 12 R 22,5     | 309                      | 342                              | 1099                | 5110190      | 5126503     |               |             | 5166823                 | 5164023     |
| 13 R 22,5     | 328                      | 360                              | 1141                | 5112190      | 5126190     |               |             | 5167223                 | 5164323     |
| 15 R 22,5     | 399                      |                                  | 1089                |              | 5126503     |               |             |                         | 5164023     |
| 16.5 R 22,5   | 438                      |                                  | 1139                |              | 5125020     |               |             |                         | 5164524     |
| 18 R 22,5     | 471                      |                                  | 1176                |              | 5124214     |               |             |                         | 5165025     |
| 9/70 R 22,5   | 236                      | 257                              | 901                 | 5124870      |             | 5024188       |             | 5165021                 |             |
| 10/70 R 22,5  | 262                      | 286                              | 938                 | 5123175      |             | 5024188       |             | 5165520                 |             |
| 11/70 R 22,5  | 279                      | 322                              | 973                 | 5121180      |             |               |             | 5166022                 |             |
| 12/70 R 22,5  | 320                      | 346                              | 1018                | 5110190      | 5126503     |               |             | 5166823                 | 5164023     |
| 13/70 R 22,5  | 340                      |                                  | 1047                |              | 5026503     |               |             |                         | 5064023     |
| 11.00 R 24    | 295                      | 342                              | 1199                | 5110300      | 5126190     |               |             | 5166724                 | 5164323     |
| 12.00 R 24    | 319                      | 350                              | 1244                | 5110300      | 5125020     |               |             | 5166724                 | 5164524     |
| 14/80 R 24,5  | 361                      |                                  | 1209                |              | 5125020     |               |             |                         | 5164524     |
| 295/80 R 24,5 | 313                      | 345                              | 1112                | 5110300      | 5126503     |               |             | 5166724                 | 5164023     |
| 285/75 R 24,5 | 283                      |                                  | 1050                | 5120190      |             |               |             | 5166523                 |             |
| 305/75 R 24,5 | 320                      | 350                              | 1098                | 5110190      | 5126503     |               |             | 5166823                 | 5164023     |
| 315/75 R 24,5 | 328                      | 360                              | 1112                | 5112190      | 5126503     |               |             | 5167223                 | 5164023     |

BŁOTNIKI I BŁOTNIKI CWIARTKOWE - MUDGUARDS AND QUARTERS MUDGUARD

Błotnik półokrągły Parlok White Line V.  
Parlok White Line V mudguard.

PARLOR



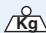
| Nr katalog.<br>Reference | △<br>Kg | B   | L    | R   | S    | H   | Tworzywo<br>Material | Dostępność<br>On stock |
|--------------------------|---------|-----|------|-----|------|-----|----------------------|------------------------|
| 5124018                  | 2,60    | 405 | 1800 | 580 | 1160 | 580 | PE-HD                | X                      |
| 5126503                  | 2,40    | 405 | 1900 | 635 | 1270 | 595 | PE-HD                | X                      |
| 5126507                  | 2,50    | 405 | 2050 | 635 | 1270 | 665 | PE-HD                | X                      |
| 5126504                  | 2,00    | 415 | 1420 | 420 | 840  | 460 | PE-HD                | X                      |
| 5126190                  | 2,50    | 430 | 1900 | 650 | 1300 | 580 | PE-HD                | X                      |
| 5126217                  | 2,50    | 430 | 2175 | 650 | 1300 | 720 | PE-HD                | X                      |
| 5125130                  | 1,90    | 450 | 1300 | 420 | 840  | 410 | PE-HD                | X                      |
| 5125140                  | 2,10    | 450 | 1400 | 420 | 840  | 450 | PE-HD                | X                      |
| 5125190                  | 2,80    | 450 | 1900 | 650 | 1300 | 580 | PE-HD                | X                      |
| 5125210                  | 3,10    | 450 | 2100 | 650 | 1300 | 680 | PE-HD                | X                      |
| 5125000                  | 2,40    | 455 | 1600 | 480 | 960  | 525 | PE-HD                | X                      |
| 5125020                  | 3,30    | 455 | 2090 | 685 | 1350 | 655 | PE-HD                | X                      |
| 5125022                  | 3,50    | 455 | 2290 | 685 | 1370 | 755 | PE-HD                | -                      |
| 5124818                  | 2,80    | 480 | 1800 | 580 | 1160 | 580 | PE-HD                | X                      |
| 5124160                  | 2,50    | 500 | 1600 | 500 | 1000 | 500 | PE-HD                | X                      |
| 5124870                  | 2,60    | 500 | 1700 | 550 | 1100 | 530 | PE-HD                | X                      |
| 5124214                  | 3,20    | 500 | 2140 | 685 | 1370 | 670 | PE-HD                | X                      |
| 5123175                  | 3,10    | 550 | 1700 | 550 | 1100 | 530 | PE-HD                | X                      |
| 5123171                  | 3,20    | 550 | 1700 | 500 | 1000 | 550 | PE-HD                | X                      |
| 5123190                  | 3,50    | 550 | 1900 | 550 | 1100 | 630 | PE-HD                | X                      |
| 5122300                  | 3,70    | 580 | 1930 | 640 | 1270 | 610 | PE-HD                | X                      |
| 5122157                  | 3,20    | 595 | 1570 | 500 | 1000 | 500 | PE-HD                | -                      |
| 5122170                  | 3,50    | 595 | 1700 | 550 | 1100 | 530 | PE-HD                | X                      |
| 5121180                  | 3,70    | 600 | 1850 | 580 | 1160 | 595 | PE-HD                | X                      |
| 5121050                  | 3,70    | 610 | 1930 | 640 | 1280 | 610 | PE-HD                | X                      |
| 5120940                  | 3,50    | 630 | 1650 | 580 | 1150 | 495 | PE-HD                | X                      |
| 5120941                  | 3,80    | 630 | 1850 | 580 | 1160 | 495 | PE-HD                | X                      |
| 5120165                  | 3,60    | 650 | 1650 | 580 | 1150 | 495 | PE-HD                | -                      |
| 5120185                  | 3,90    | 650 | 1800 | 580 | 1160 | 580 | PE-HD                | X                      |
| 5120190                  | 4,00    | 650 | 1900 | 630 | 1260 | 590 | PE-HD                | X                      |
| 5120217                  | 4,70    | 650 | 2175 | 630 | 1260 | 730 | PE-HD                | X                      |
| 5110300                  | 5,00    | 670 | 2090 | 670 | 1340 | 660 | PE-HD                | X                      |
| 5110303                  | 5,20    | 670 | 2175 | 670 | 1340 | 715 | PE-HD                | X                      |
| 5110165                  | 4,00    | 680 | 1650 | 580 | 1150 | 495 | PE-HD                | X                      |
| 5110185                  | 4,30    | 680 | 1800 | 580 | 1160 | 580 | PE-HD                | X                      |
| 5110190                  | 4,60    | 680 | 1900 | 630 | 1260 | 590 | PE-HD                | X                      |
| 5110217                  | 5,30    | 680 | 2175 | 630 | 1260 | 730 | PE-HD                | X                      |
| 5112190                  | 5,40    | 720 | 1900 | 630 | 1260 | 590 | PE-HD                | X                      |
| 5112217                  | 6,20    | 720 | 2175 | 630 | 1260 | 730 | PE-HD                | -                      |

6

**BŁOTNIKI I BŁOTNIKI ĆWIARTKOWE - MUDGUARDS AND QUARTERS MUDGUARD**


Błotnik Parlok.  
*Parlok mudguard.*




| Nr katalog.<br>Reference |  Kg | B   | L    | R   | S   | H   | Tworzywo<br>Material | Dostępność<br>On stock |
|--------------------------|--|-----|------|-----|-----|-----|----------------------|------------------------|
| 5027130                  | 1,10   | 240 | 1300 | 420 | 840 | 410 | PE-HD                | X                      |

**6**


Błotnik 1/4 obwodu Parlok White Line V.  
*Parlok White Line V quarter mudguards.*



| Nr katalog.<br>Reference |  Kg | B   | L   | R   | S   | Tworzywo<br>Material | Dostępność<br>On stock |
|--------------------------|--|-----|-----|-----|-----|----------------------|------------------------|
| 5126069                  | 0,90   | 430 | 650 | 650 | 630 | PE-HD                | -                      |
| 5125007                  | 1,10   | 455 | 700 | 685 | 700 | PE-HD                | -                      |
| 5124000                  | 1,00   | 500 | 650 | 500 | 600 | PE-HD                | -                      |
| 5123000                  | 1,20   | 550 | 650 | 550 | 610 | PE-HD                | -                      |
| 5121171                  | 1,30   | 600 | 650 | 580 | 610 | PE-HD                | -                      |
| 5120071                  | 1,50   | 650 | 650 | 630 | 630 | PE-HD                | -                      |
| 5110269                  | 1,70   | 670 | 700 | 670 | 630 | PE-HD                | -                      |
| 5110070                  | 1,70   | 680 | 700 | 630 | 630 | PE-HD                | -                      |
| 5112070                  | 2,00   | 720 | 700 | 630 | 630 | PE-HD                | -                      |

## BŁOTNIKI 3 CZĘŚCIOWE - 3 PARTS MUDGUARD

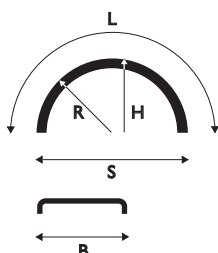
Błotnik 3 częściowy Parlok White Line V. Dostawa : Komplet 2 błotników, 1 prawy + 1 lewy (6 części).

*Parlok WL V 3 pieces mudguard, delivered in set of 2 mudguard, 1 right + 1 left (6 pieces).*



| Nr katalog.<br>Reference | $\frac{0}{Kg}$ | B   | L    | R   | S    | Tworzywo<br>Material | Dostępność<br>On stock |
|--------------------------|----------------|-----|------|-----|------|----------------------|------------------------|
| 5126530                  | 15,00          | 430 | 1900 | 650 | 1300 | PE-HD                | -                      |
| 5124830                  | 7,00           | 480 | 1800 | 580 | 1160 | PE-HD                | -                      |
| 5120095                  | 7,00           | 650 | 1900 | 630 | 1260 | PE-HD                | -                      |
| 5110325                  | 15,00          | 670 | 2090 | 670 | 1340 | PE-HD                | -                      |
| 5110225                  | 13,00          | 680 | 1900 | 630 | 1260 | PE-HD                | -                      |

6



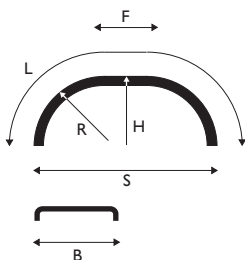
## BŁOTNIKI Z OSIĄ STERUJĄCĄ - STEERING AXLE MUDGUARDS

Błotnik półokrągły Parlok White Line F 150 dla osi napędowych.

*Parlok Steering Axle Mudguard F 150.*

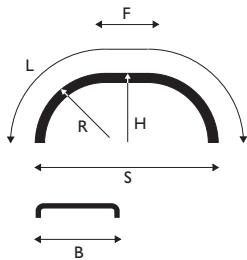


| Nr katalog.<br>Reference | $\frac{0}{Kg}$ | B   | L    | R   | S    | H   | F   | Tworzywo<br>Material | Dostępność<br>On stock |
|--------------------------|----------------|-----|------|-----|------|-----|-----|----------------------|------------------------|
| 5121543                  | 2,80           | 430 | 2050 | 650 | 1450 | 580 | 150 | PE-HD                | -                      |
| 5121548                  | 3,90           | 480 | 1950 | 580 | 1310 | 580 | 150 | PE-HD                | -                      |
| 5121555                  | 3,90           | 550 | 1850 | 550 | 1250 | 530 | 150 | PE-HD                | -                      |
| 5121567                  | 5,50           | 670 | 2300 | 670 | 1490 | 670 | 150 | PE-HD                | -                      |



**BŁOTNIKI Z OSIĄ STERUJĄCĄ - STEERING AXLE MUDGUARDS**

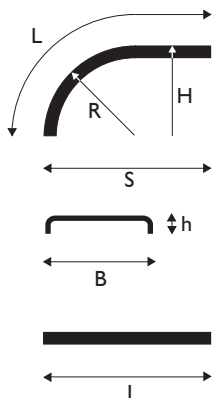
Błotnik półokrągły Parlok F 400.  
*Parlok Steering Axle Mudguard F 400.*



| Nr katalog.<br>Reference | $\frac{\circ}{Kg}$ | B   | L    | R   | S    | H   | F   | Tworzywo<br>Material | Dostępność<br>On stock |
|--------------------------|--------------------|-----|------|-----|------|-----|-----|----------------------|------------------------|
| 5300443                  | 4,00               | 430 | 2560 | 650 | 1700 | 705 | 400 | PE-HD                | -                      |
| 5300448                  | 4,00               | 480 | 2340 | 580 | 1570 | 630 | 400 | PE-HD                | -                      |
| 5300468                  | 6,20               | 680 | 2500 | 630 | 1660 | 690 | 400 | PE-HD                | -                      |

**6**
**BŁOTNIKI TANDEM I TRIDEM - TANDEM AND TRIDEM MUDGUARDS**

Błotnik Parlok Tandem White Line.  
*Parlock White Line V Tandem Mudguards.*



| Nr katalog.<br>Reference | $\frac{\circ}{Kg}$ | B   | L    | R   | S    | H   | h    | I   | Typ<br>Type | Tworzywo<br>Material | Dostępność<br>On stock |
|--------------------------|--------------------|-----|------|-----|------|-----|------|-----|-------------|----------------------|------------------------|
| 5304411                  | 1,70               | 430 |      |     |      | 70  | 1000 | 430 | PE-HD       | -                    |                        |
| 5304417                  | 3,40               | 430 | 2120 | 650 | 1700 | 705 | 70   | 430 | PE-HD       | -                    |                        |
| 5306611                  | 2,30               | 650 |      |     |      | 70  | 1000 | 650 | PE-HD       | -                    |                        |
| 5306617                  | 5,00               | 650 | 2120 | 650 | 1700 | 705 | 70   | 650 | PE-HD       | -                    |                        |

BŁOTNIKI TANDEM I TRIDEM - TANDEM AND TRIDEM MUDGUARDS



A



B



C

6

| Typ<br>Type | do zamontowania<br>For assembly | dotyczą<br>Quantity | Nr katalogowy<br>Reference | S1 min | S1 max | S2max |
|-------------|---------------------------------|---------------------|----------------------------|--------|--------|-------|
| 430         | A                               | 1                   | 5304417                    |        |        |       |
|             | B                               | 2                   | 5304417                    | 2450   | 3360   |       |
|             |                                 | 1                   | 5038665                    |        |        |       |
|             | C                               | 2                   | 5304417                    |        |        | 4300  |
|             |                                 | 1                   | 5304411                    |        |        |       |
|             |                                 | 2                   | 5038665                    |        |        |       |
| 650         | A                               | 1                   | 5306617                    |        |        |       |
|             | B                               | 2                   | 5306617                    | 2450   | 3360   |       |
|             |                                 | 1                   | 5038666                    |        |        |       |
|             | C                               | 2                   | 5306617                    |        |        | 4200  |
|             |                                 | 1                   | 5306611                    |        |        |       |
|             |                                 | 2                   | 5038666                    |        |        |       |

**BŁOTNIKI TANDEM I TRIDEM - TANDEM AND TRIDEM MUDGUARDS**

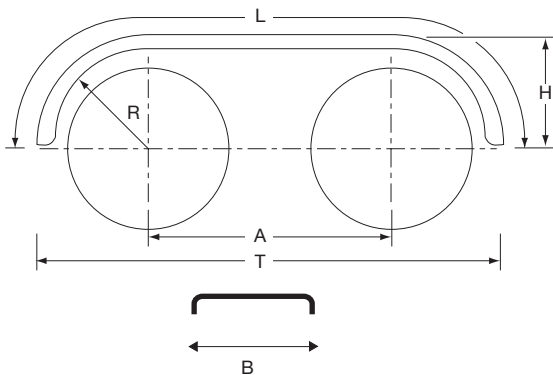

Śruby M6 do mocowania błotnika Parlok White Line Tandem.  
*M6 screws, nuts and washers for white Line Tandem Mudguards.*

| Nr katalog.<br><i>Reference</i> | $\frac{\text{kg}}{\Delta}$ | Typ<br><i>Type</i> | Dostępność<br><i>On stock</i> |
|---------------------------------|----------------------------|--------------------|-------------------------------|
| 5038665                         | 0,10                       | 430                | -                             |
| 5038666                         | 0,10                       | 650                | X                             |

**6**


Błotniki tandem z polietylenu czarne.  
*Black tandem polyethylene mudguards alone.*

| Nr katalog.<br><i>Reference</i> | $\frac{\text{kg}}{\Delta}$ | B   | L    | R   | H   | A    | Rozpiętość<br>(T)<br><i>Span (T)</i> | Dla opon<br><i>Tyre Sizes</i>                                      | Dostępność<br><i>On stock</i> |
|---------------------------------|----------------------------|-----|------|-----|-----|------|--------------------------------------|--|-------------------------------|
| 3950385                         | 10,37                      | 670 | 3385 | 635 | 620 | 1400 | 2760                                 | 11.00R20 E20<br>12/80R22.5<br>12.00R22.5<br>13R22.5<br>315/80R22.5 | X                             |



**BŁOTNIKI SPŁASZCZONE - FLAT TOP MUDGUARDS**

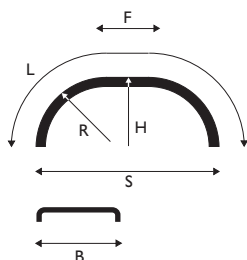


Błotnik spłaszczony Parlok.  
*Parlok Flat Top Mudguards.*



| Nr katalog.<br>Reference | Kg   | B   | L    | R   | S    | H   | F   | Tworzywo<br>Material | Dostępność<br>On stock |
|--------------------------|------|-----|------|-----|------|-----|-----|----------------------|------------------------|
| 5026560                  | 1,70 | 260 | 1570 | 410 | 900  | 480 | 500 | PE-HD                | X                      |
| 5026565                  | 1,60 | 260 | 1300 | 360 | 840  | 440 | 400 | PE-HD                | X                      |
| 5025137                  | 3,00 | 450 | 1570 | 410 | 900  | 480 | 440 | PE-HD                | X                      |
| 5025135                  | 3,00 | 450 | 1300 | 360 | 840  | 440 | 400 | PE-HD                | X                      |
| 5023950                  | 3,40 | 510 | 1770 | 450 | 1050 | 560 | 550 | PE-HD                | X                      |
| 5024188                  | 5,00 | 550 | 1180 | 510 | 1150 | 570 | 650 | PE-HD                | X                      |

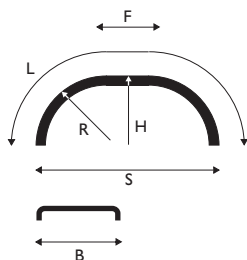
6



Błotniki spłaszczone.  
*Flat top mudguard.*



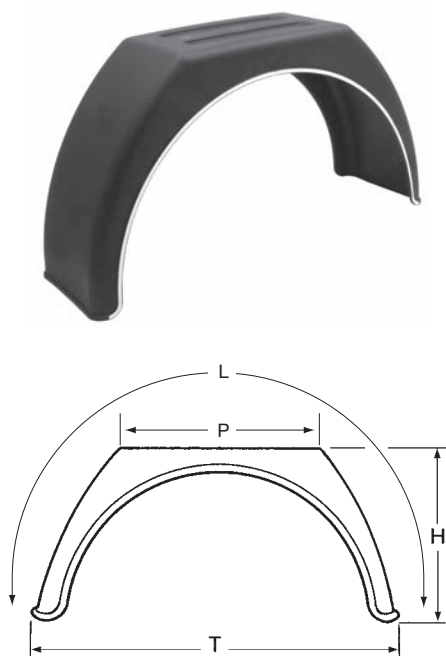
| Nr katalog.<br>Reference | Kg   | B   | L    | R   | S    | H   | F   | Tworzywo<br>Material | Dostępność<br>On stock |
|--------------------------|------|-----|------|-----|------|-----|-----|----------------------|------------------------|
| 3950443                  | 6,56 | 620 | 2085 | 625 | 1250 | 625 | 700 | PE-MD                | X                      |
| 3950446                  | 7,40 | 670 | 2345 | 680 | 1360 | 720 | 750 | PE-MD                | X                      |






**BŁOTNIKI SPŁASZCZONE - FLAT TOP MUDGUARDS**

Błotnik z płaskim dnem, z tworzywa sztucznego, biała krawędź z tworzywa sztucznego.  
*Black plastics mudguards and white plastic edge.*




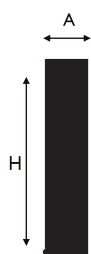
| Nr katalog.<br>Reference |  Kg | B   | L    | H   | P   | Rozpiętość<br>(T)<br>Span (T) | Dla opon<br>Tyre Sizes   | Dostępność<br>On stock |
|--------------------------|--|-----|------|-----|-----|-------------------------------|--|------------------------|
| 3950426E                 | 1,71   | 260 | 1450 | 450 | 400 | 880                           | 185-215/70R15<br>225/75R15<br>185-215/75R14<br>185-225/75R16<br>185-235R14<br>195-225R15<br>195-215R16<br>7,00R15<br>50R14<br>195-14 | X                      |
| 3950427E                 | 2,67   | 450 | 1480 | 460 | 400 | 920                           | 185-205/70R15<br>185-205/75R14<br>185-195/75R16<br>185-205R14<br>185-195R15  | X                      |

**6**
**BŁOTNIKI TYLNE - SPATS**

Błotnik Parlok White Line.  
*Parlok White Line Spat.*



| Nr katalog.<br>Reference |  Kg | B   | H   | A  | Tworzywo<br>Material | Dostępność<br>On stock |
|--------------------------|--|-----|-----|----|----------------------|------------------------|
| 5302504                  | 0,50   | 250 | 400 | 70 | PE-HD                | -                      |
| 5304604                  | 0,70   | 460 | 400 | 70 | PE-HD                | -                      |
| 5304606                  | 1,10   | 460 | 600 | 70 | PE-HD                | X                      |
| 5306006                  | 1,30   | 600 | 600 | 70 | PE-HD                | -                      |
| 5306506                  | 1,40   | 650 | 600 | 70 | PE-HD                | -                      |

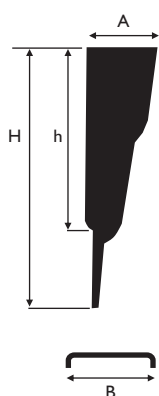


**BŁOTNIKI TYLNE - SPATS**

Błotnik Spat Parlok dla pojazdów o masie poniżej 7,5 tony.  
*Parlok spat mudguards for vehicles under 7,5 tonnes.*



| Nr katalog.<br><i>Reference</i> | Kg   | B   | H   | h   | A   | Tworzywo<br><i>Material</i> | Dostępność<br><i>On stock</i> |
|---------------------------------|------|-----|-----|-----|-----|-----------------------------|-------------------------------|
| 5026390                         | 0,80 | 250 | 630 |     | 100 | PE-HD                       | X                             |
| 5026395                         | 0,60 | 250 |     | 400 | 100 | PE-HD                       | X                             |
| 5026370                         | 1,60 | 460 | 630 |     | 100 | PE-HD                       | X                             |
| 5026375                         | 0,80 | 460 |     | 400 | 100 | PE-HD                       | X                             |



Błotnik Spat Parlok A460.  
*Parlok A460 Spat.*




| Nr katalog.<br><i>Reference</i> | Kg   | B   | H   | A   | C   | Tworzywo<br><i>Material</i> | Dostępność<br><i>On stock</i> |
|---------------------------------|------|-----|-----|-----|-----|-----------------------------|-------------------------------|
| 5026230                         | 0,70 | 460 | 320 | 100 | 230 | PE-HD                       | X                             |
| 5026270                         | 1,60 | 460 | 700 | 100 | 250 | PE-HD                       | X                             |



**BŁOTNIKI TYLNE - SPATS**


Błotnik Spat Parlok A660.  
*Parlok A660 Spat.*




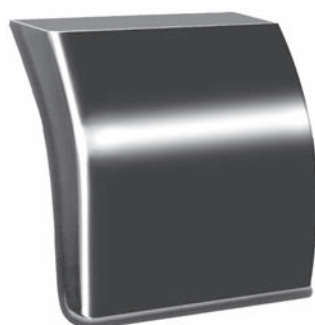
| Nr katalog.<br><i>Reference</i> |  Kg | B   | H   | A  | C   | Tworzywo<br><i>Material</i> | Dostępność<br><i>On stock</i> |
|---------------------------------|--|-----|-----|----|-----|-----------------------------|-------------------------------|
| 5010266                         | 2,30   | 660 | 660 | 75 | 290 | PE-HD                       | X                             |

**6**



Błotnik Spat Parlok A.  
*Support for Parlok A mudguard.*



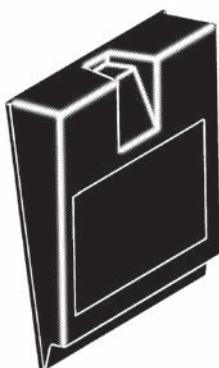
| Nr katalog.<br><i>Reference</i> |  Kg | Typ<br><i>Type</i> | Dostępność<br><i>On stock</i> |
|---------------------------------|--|--------------------|-------------------------------|
| 5039114                         | 0,40   | 660                | -                             |
| 5039115                         | 0,40   | 460                | -                             |




Błotniki tylne z polietylenu o średniej gęstości, kolor czarny.  
*Polyethylene spats medium density, black color.*

| Nr katalog.<br><i>Reference</i> |  Kg | Szerokość<br>wewnętrzna (I)<br><i>Internal width (I)</i> | Szerokość na<br>zewnątrz (E)<br><i>External width (E)</i> | Wysokość<br><i>Height</i> | Dostępność<br><i>On stock</i> |
|---------------------------------|--|--|---|---------------------------|-------------------------------|
| 3950388                         | 1,10   | 265  | 280   | 380                       | X                             |
| 3950389                         | 1,35   | 425  | 440   | 420                       | X                             |
| 3950390                         | 1,90   | 445  | 460   | 600                       | X                             |
| 3950391                         | 1,70   | 525  | 540   | 500                       | X                             |
| 3950392                         | 2,10   | 610  | 625   | 500                       | X                             |
| 3950393                         | 1,75   | 645  | 660   | 600                       | X                             |

**BŁOTNIKI TYLNE - SPATS**

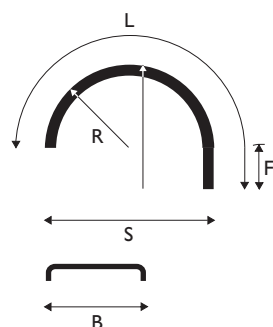


Błotniki tylne z polietylenu o średniej gęstości, kolor czarny.  
*Polyethylene spats medium density, black color.*

| Nr katalog.<br><i>Reference</i> |  Kg | Szerokość<br>wewnętrzna (I)<br><i>Internal width (I)</i> | Szerokość na<br>zewnątrz (E)<br><i>External width (E)</i> | Wysokość<br><i>Height</i> | Dostępność<br><i>On stock</i> |
|---------------------------------|--|--|---|---------------------------|-------------------------------|
| 3950450                         | 1,12   | 440  | 450   | 410                       | X                             |
| 3950452                         | 2,25   | 640  | 650   | 600                       | X                             |

**BŁOTNIKI I BŁOTNIKI CWIARTKOWE PRZECIWRÓZBRYZGOWE SUPRA - SUPRA SPRAY SUPPRESSION MUDGUARDS AND QUARTERS MUDGUARD**

Błotnik półokrągły Parlok, biała krawędź. (e1\*109/2011\*109/2011\*0018\*00).  
 Parlock V SUPRA integrated spray suppression system,  
 (e1\*109/2011\*109/2011\*0018\*00).



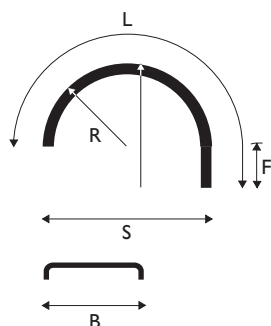
| Nr katalog.<br>Reference | $\frac{\circ}{Kg}$ | B   | L    | R   | S    | H    | F   | Tworzywo<br>Material | Dostępność<br>On stock |
|--------------------------|--------------------|-----|------|-----|------|------|-----|----------------------|------------------------|
| 5164026                  | 3,90               | 405 | 2100 | 580 | 1160 | 890  | 300 | PE-HD                | X                      |
| 5164023                  | 3,90               | 405 | 2300 | 635 | 1260 | 1040 | 400 | PE-HD                | X                      |
| 5164024                  | 4,10               | 405 | 2450 | 635 | 1270 | 1070 | 400 | PE-HD                | X                      |
| 5164323                  | 4,10               | 430 | 2300 | 650 | 1290 | 1050 | 400 | PE-HD                | X                      |
| 5164325                  | 4,40               | 430 | 2575 | 650 | 1300 | 1120 | 400 | PE-HD                | -                      |
| 5164523                  | 4,60               | 455 | 2390 | 685 | 1370 | 955  | 400 | PE-HD                | X                      |
| 5164524                  | 4,90               | 455 | 2490 | 685 | 1370 | 1055 | 400 | PE-HD                | -                      |
| 5164821                  | 4,90               | 480 | 2100 | 580 | 1160 | 890  | 300 | PE-HD                | X                      |
| 5165019                  | 4,20               | 500 | 1900 | 500 | 1000 | 800  | 300 | PE-HD                | X                      |
| 5165020                  | 4,40               | 500 | 2000 | 500 | 1000 | 800  | 300 | PE-HD                | X                      |
| 5165025                  | 4,90               | 500 | 2540 | 685 | 1370 | 1085 | 400 | PE-HD                | -                      |
| 5165518                  | 4,80               | 550 | 1800 | 500 | 1000 | 800  | 300 | PE-HD                | X                      |
| 5165520                  | 5,10               | 550 | 2000 | 550 | 1100 | 850  | 300 | PE-HD                | X                      |
| 5165519                  | 5,10               | 550 | 2000 | 500 | 1000 | 800  | 300 | PE-HD                | X                      |
| 5165823                  | 5,40               | 580 | 2330 | 640 | 1270 | 1040 | 400 | PE-HD                | -                      |
| 5165918                  | 4,80               | 595 | 1870 | 500 | 1000 | 800  | 300 | PE-HD                | -                      |
| 5165920                  | 5,50               | 595 | 2000 | 550 | 1100 | 850  | 300 | PE-HD                | X                      |
| 5166319                  | 5,40               | 630 | 1930 | 530 | 1060 | 815  | 300 | PE-HD                | -                      |
| 5166320                  | 5,60               | 630 | 2050 | 580 | 1160 | 980  | 400 | PE-HD                | X                      |
| 5166520                  | 5,70               | 650 | 2050 | 580 | 1160 | 930  | 400 | PE-HD                | X                      |
| 5166523                  | 6,20               | 650 | 2300 | 630 | 1260 | 1030 | 400 | PE-HD                | X                      |
| 5166724                  | 7,30               | 670 | 2490 | 670 | 1340 | 1070 | 400 | PE-HD                | X                      |
| 5166822                  | 6,40               | 680 | 2050 | 580 | 1160 | 980  | 400 | PE-HD                | X                      |
| 5166823                  | 7,00               | 680 | 2300 | 630 | 1260 | 1030 | 400 | PE-HD                | X                      |
| 5166824                  | 7,30               | 680 | 2425 | 630 | 1260 | 1030 | 300 | PE-HD                | X                      |
| 5167223                  | 7,40               | 720 | 2300 | 630 | 1260 | 1030 | 400 | PE-HD                | X                      |

**6**

**BŁOTNIKI I BŁOTNIKI CÍWARTKOWE PRZECIWOZBRYZGOWE SUPRA - SUPRA SPRAY SUPPRESSION MUDGUARDS AND QUARTERS MUDGUARD**

Błotnik 1/4 obwodu Parlok SUPRA White Line V,  
(e1\*109/2011\*109/2011\*0018\*00).

Parlok SUPRA WL V Quarter, (e1\*109/2011\*109/2011\*0018\*00).



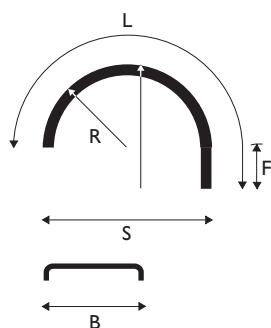
| Nr katalog.<br>Reference | $\Delta$ Kg | B   | L    | R   | S   | F   | Tworzywo<br>Material | Dostępność<br>On stock |
|--------------------------|-------------|-----|------|-----|-----|-----|----------------------|------------------------|
| 5166481                  | 2,40        | 405 | 1050 | 635 | 630 | 400 | PE-HD                | -                      |
| 5165009                  | 2,50        | 500 | 950  | 500 | 600 | 300 | PE-HD                | -                      |
| 5165509                  | 2,50        | 550 | 950  | 550 | 610 | 300 | PE-HD                | -                      |
| 5165910                  | 2,70        | 600 | 950  | 580 | 610 | 300 | PE-HD                | -                      |
| 5166521                  | 5,00        | 650 | 1050 | 630 | 630 | 400 | PE-HD                | -                      |
| 5166711                  | 3,50        | 670 | 1100 | 630 | 630 | 400 | PE-HD                | -                      |
| 5166811                  | 3,50        | 680 | 1100 | 630 | 630 | 400 | PE-HD                | -                      |
| 5167211                  | 5,50        | 720 | 1100 | 630 | 630 | 400 | PE-HD                | -                      |

6

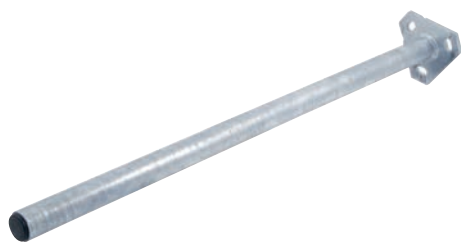
**BŁOTNIKI 3 CZĘŚCIOWE SUPRA - SUPRA 3 PARTS MUDGUARDS**

Błotnik 3 częściowy Parlok, (e1\*109/2011\*109/2011\*0018\*00).

Parlok WL V 3 pieces SUPRA mudguard, (e1\*109/2011\*109/2011\*0018\*00).



| Nr katalog.<br>Reference | $\Delta$ Kg | B   | L    | R   | S    | H   | F   | Tworzywo<br>Material | Dostępność<br>On stock |
|--------------------------|-------------|-----|------|-----|------|-----|-----|----------------------|------------------------|
| 5166530                  | 9,00        | 430 | 2200 | 650 | 1300 | 950 | 300 | PE-HD                | -                      |
| 5164830                  | 9,00        | 480 | 2100 | 580 | 1160 | 890 | 300 | PE-HD                | -                      |
| 5160095                  | 12,00       | 650 | 2200 | 630 | 1260 | 930 | 300 | PE-HD                | -                      |
| 5160325                  | 14,00       | 670 | 2390 | 670 | 1340 | 970 | 300 | PE-HD                | -                      |
| 5160225                  | 15,00       | 680 | 2200 | 630 | 1260 | 930 | 300 | PE-HD                | -                      |

**RURY DO MOCOWANIA BŁOTNIKA - FIXING TUBES FOR MUDGUARD**


Rura prosta do mocowania, stal ocynkowana.  
*Galvanized steel fixing tube for mudguard.*

| Nr katalog.<br>Reference | $\frac{\circ}{Kg}$ | Ø  | Długość<br>Length | Dostępność<br>On stock |
|--------------------------|--------------------|----|-------------------|------------------------|
| 3950501TG                | 1,95               | 34 | 750               | X                      |



Rura prosta do mocowania błotnika, stal ocynkowana, model wzmocniony podkładką.  
*Galvanized steel tube for mudguard, reinforced with casting plate.*

| Nr katalog.<br>Reference | $\frac{\circ}{Kg}$ | Ø  | Długość<br>Length | Dostępność<br>On stock |
|--------------------------|--------------------|----|-------------------|------------------------|
| 3950660                  | 2,15               | 42 | 550               | X                      |
| 3950662                  | 2,76               | 42 | 750               | X                      |



Rura gięta do mocowania błotnika, stal ocynkowana, wzmocniona podkładką.  
*Galvanized steel bent tube for mudguard, reinforced with casting plate.*

| Nr katalog.<br>Reference | $\frac{\circ}{Kg}$ | Ø  | Długość<br>Length | Dostępność<br>On stock |
|--------------------------|--------------------|----|-------------------|------------------------|
| 3950665                  | 2,90               | 42 | 800               | X                      |



Rura prosta do mocowania błotnika, stal ocynkowana, model wzmocniony podkładką. Mocowanie śrubą M16.  
*Galvanized steel tube for mudguard, reinforced with casting plate, M16 axles screws.*

| Nr katalog.<br>Reference | $\frac{\circ}{Kg}$ | Ø  | Długość<br>Length | Dostępność<br>On stock |
|--------------------------|--------------------|----|-------------------|------------------------|
| 3950668                  | 2,05               | 42 | 500               | X                      |



Rura gięta do mocowania błotnika, stal ocynkowana, malowana na czarno.  
*Black powder coated steel bent tube for mudguard.*

| Nr katalog.<br>Reference | $\frac{\circ}{Kg}$ | Ø  | Długość<br>Length | Dostępność<br>On stock |
|--------------------------|--------------------|----|-------------------|------------------------|
| 3950511                  | 2,05               | 34 | 750               | X                      |

**6**

RURY DO MOCOWANIA BŁOTNIKA - *FIXING TUBES FOR MUDGUARD*

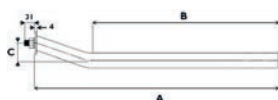


Rura girta do mocowania, stal ocynkowana. Wzmocniona podkładką. Mocowana śrubą M16.

*Galvanized steel bent tube for mudguard, reinforced with casting plate, M16 axles screws.*

| Nr katalog.<br>Reference | $\Delta$<br>Kg | Ø  | Długość<br>Length | Dostępność<br>On stock |
|--------------------------|----------------|----|-------------------|------------------------|
| 3950670                  | 3,50           | 42 | 800               | X                      |

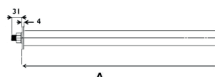
6



Wspornik błotnika giętkiego Parlok, Ø 42 mm.  
*Parlok bracket tubes, Ø 42 mm.*



| Nr katalog.<br>Reference | A<br>(mm) | B<br>(mm) | C<br>(mm) | D<br>(mm) | Dostępność<br>On stock |
|--------------------------|-----------|-----------|-----------|-----------|------------------------|
| 5030710                  | 700       | 536       | 100       | 42        | -                      |
| 5030510                  | 540       | 376       | 100       | 42        | -                      |
| 5030750                  | 700       | 536       | 50        | 42        | -                      |
| 5030550                  | 540       | 376       | 50        | 42        | -                      |



Wspornik błotnika prostego Parlok, Ø 42 mm.  
*Parlok bracket tubes, straight.*



| Nr katalog.<br>Reference | A<br>(mm) | D<br>(mm) | Dostępność<br>On stock |
|--------------------------|-----------|-----------|------------------------|
| 5030700                  | 700       | 42        | -                      |
| 5030540                  | 540       | 42        | -                      |

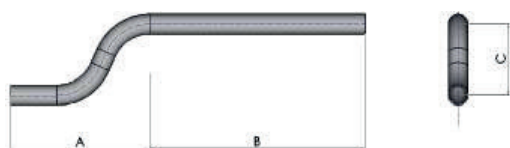


**RURY DO MOCOWANIA BŁOTNIKA - FIXING TUBES FOR MUDGUARD**

Rura gięta do mocowania błotnika, model PK.  
*PK Tubes.*



| Nr katalog.<br>Reference | $\frac{\circ}{Kg}$ | Ø  | B   | A   | C   | Długość<br>Length | Typ<br>Type | Dostępność<br>On stock |
|--------------------------|--------------------|----|-----|-----|-----|-------------------|-------------|------------------------|
| 5039216                  | 2,30               | 42 | 462 | 298 | 150 | 760               | PK-760      | X                      |
| 5039214                  | 2,00               | 42 | 477 | 228 | 50  | 705               | PK-705      | X                      |


**6**


Gniazdo do przyspawania dla rury Ø 42 mm,  
 model PK.



*PK Tubes Accessories, Bush weld on.*

| Nr katalog.<br>Reference | $\frac{\circ}{Kg}$ | Dla<br>For         | Dostępność<br>On stock |
|--------------------------|--------------------|--------------------|------------------------|
| 5039218                  | 0,60               | 5039214<br>5039216 | X                      |



Gniazdo do przykręcenia dla rury Ø 42 mm,  
 model PK.



*PK Tubes Accessories, Bush bolt on.*

| Nr katalog.<br>Reference | $\frac{\circ}{Kg}$ | Dla<br>For         | Dostępność<br>On stock |
|--------------------------|--------------------|--------------------|------------------------|
| 5039219                  | 0,90               | 5039214<br>5039216 | X                      |

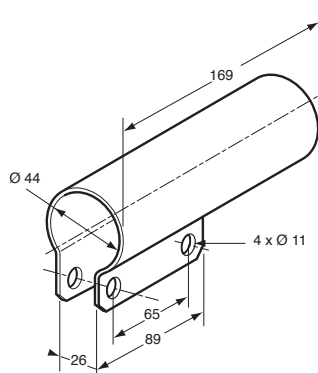


Gniazdo dla rury Ø 42 mm, model PK, plastik.  
*PK Tubes Accessories, Plastic end cap.*



| Nr katalog.<br>Reference | $\frac{\circ}{Kg}$ | Dla<br>For         | Dostępność<br>On stock |
|--------------------------|--------------------|--------------------|------------------------|
| 5039221                  | 0,01               | 5039214<br>5039216 | X                      |

RURY DO MOCOWANIA BŁOTNIKA - *FIXING TUBES FOR MUDGUARD*

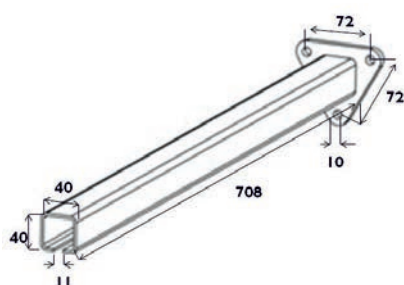


Wspornik rury błotnika  $\varnothing$  od 40 do 42 mm, stal cynkowana, do przyspawania.

*Support to be weld, for mudguard tube  $\varnothing$  40 to 42 mm.*

| Nr katalog.<br>Reference | $\frac{Kg}{\varnothing}$ | Zakończyć<br>Finish                | Dostępność<br>On stock |
|--------------------------|--------------------------|------------------------------------|------------------------|
| 3950507                  | 0,52                     | Stal surowa<br>Raw steel           | X                      |
| 3950507IN                | 0,52                     | Stal nierdzewna<br>Stainless steel | X                      |

6

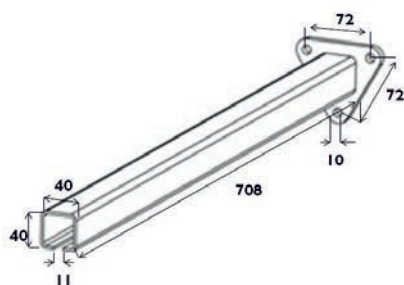


Rura kwadratowa do mocowania błotnika 40x40 model C, trójkątny kołnierz, stal ocynkowana.

*Parlok zinc plate C-profile bracket triangular flange.*

PARLOR

| Nr katalog.<br>Reference | $\frac{Kg}{\varnothing}$ | Długość<br>Length | Dostępność<br>On stock |
|--------------------------|--------------------------|-------------------|------------------------|
| 5039101ZN                | 2,30                     | 708               | X                      |

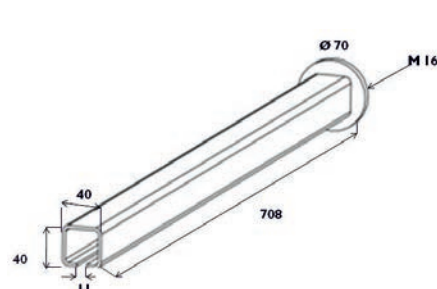


Rura kwadratowa do mocowania błotnika Parlok 40x40 model C, trójkątny kołnierz, stal ocynkowana. Dostarczona w zestawie do mocowania błotnika.

*Parlok zinc plate 40x40 C-profile bracket triangular flange with fixing set.*

PARLOR

| Nr katalog.<br>Reference | $\frac{Kg}{\varnothing}$ | Długość<br>Length | Dostępność<br>On stock |
|--------------------------|--------------------------|-------------------|------------------------|
| 5039111ZN                | 2,50                     | 708               | X                      |



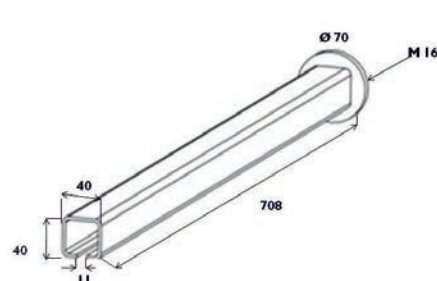
Rura kwadratowa do mocowania błotnika 40x40 model C, okrągły kołnierz, stal ocynkowana.

Mocowane jedną śrubą M16 (brak w zestawie).

*Parlok zinc plate C-profile bracket round flange. Mounting with one M16 bolt (not included).*

PARLOR

| Nr katalog.<br>Reference | $\frac{Kg}{\varnothing}$ | Długość<br>Length | Dostępność<br>On stock |
|--------------------------|--------------------------|-------------------|------------------------|
| 5039108ZN                | 2,30                     | 708               | -                      |



Rura kwadratowa do mocowania błotnika Parlok 40x40 model C, okrągły kołnierz, stal ocynkowana. Dostarczona w zestawie do mocowania błotnika.

*Parlok zinc plate C-profile bracket round flange. Mounting with one M16 bolt (not included) with fixing set.*

PARLOR


| Nr katalog.<br>Reference | $\frac{Kg}{\varnothing}$ | Długość<br>Length | Dostępność<br>On stock |
|--------------------------|--------------------------|-------------------|------------------------|
| 5039118ZN                | 2,50                     | 708               | -                      |

**RURY DO MOCOWANIA BŁOTNIKA - FIXING TUBES FOR MUDGUARD**



Zatyczka wspornika błotnika Parlok 40x40 w kształcie C.  
*End cap for C-profile bracket, black HD-PE.*



| Nr katalog.<br><i>Reference</i> |  <i>kg</i> | Tworzywo<br><i>Material</i> | Dla<br><i>For</i>                                | Dostępność<br><i>On stock</i> |
|---------------------------------|---|-----------------------------|--|-------------------------------|
| 5039107                         | 0,02  | HD-PE                       | 5039101ZN<br>5039111ZN<br>5039108ZN<br>5039118ZN | X                             |

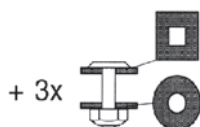
6



Zestaw złączy śrubowych do zamocowań błotnika w kształcie C Parlok.  
*Fixing set.*



| Nr katalog.<br><i>Reference</i> | Dla<br><i>For</i>                                | Dostępność<br><i>On stock</i> |
|---------------------------------|--|-------------------------------|
| 5039112                         | 5039101ZN<br>5039111ZN<br>5039108ZN<br>5039118ZN | X                             |



**WSPORNIK BŁOTNIKA REGULOWANY - ADJUSTABLE MUDGUARD MOUNTING**

6



Dostarczony wmontowany do błotników PARLOK WHITELINE i PARLOK SUPRA. Wykonany ze stali cynkowanej. Farba czarna w proszku. Dla rurek o średnicy 42,4, 40, 38 i 34 mm. Rozpiętość regulacji 90 mm. Referencja= Referencja błotnika Parlok oraz P lub P40 lub P38 lub P34.

*Delivery integrated with PARLOK WHITELINE and PARLOK SUPRA mudguards. Made of zinc coated steel plate. Black powder painted. Fits tubes with a diameter of 42,4 and 40 and 38 and 34 mm. Range of adjustment 90 mm. Order code = Parlok mudguard code + P or P40 or P38 or P34.*



**P**

5039650

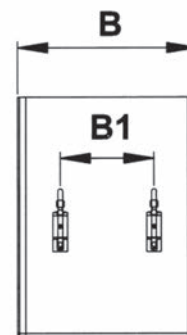
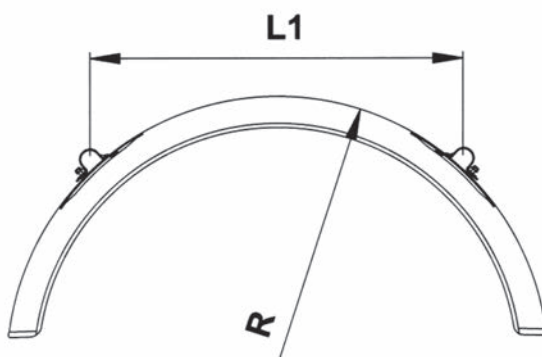


**P38 / P40**



**P34**

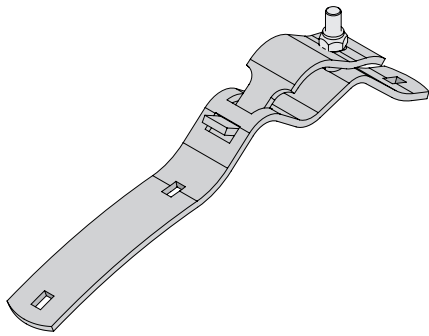
5039650D34



| R   | L1   |
|-----|------|
| 685 | 1000 |
| 670 | 980  |
| 650 | 950  |
| 640 | 940  |
| 635 | 930  |
| 630 | 920  |
| 580 | 850  |
| 550 | 800  |
| 530 | 770  |
| 500 | 730  |
| 480 | 710  |
| 420 | 620  |

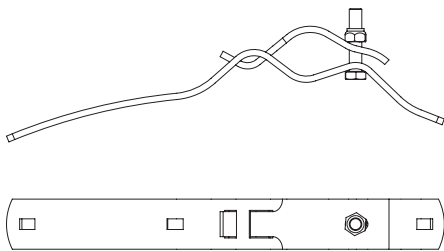
| B   | B1  |
|-----|-----|
| 405 | 150 |
| 415 | 150 |
| 430 | 150 |
| 450 | 225 |
| 455 | 225 |
| 480 | 225 |
| 500 | 225 |
| 550 | 225 |
| 595 | 335 |
| 600 | 335 |
| 610 | 335 |
| 630 | 335 |
| 650 | 350 |
| 670 | 350 |
| 680 | 350 |

**WSPORNIKI UCHWYTÓW BŁOTNIKA - *FIXING COLLAR FOR MUDGUARD***

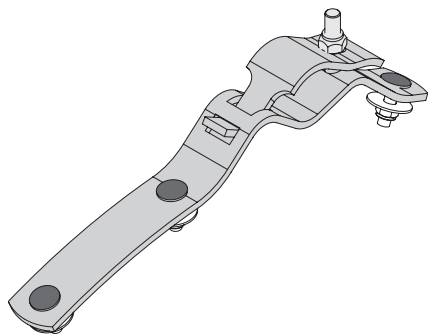


Wspornik uchwyty błotnika do rur od Ø 38 do 43 mm, stal cynkowana, bez śruby.  
*Zinc plated steel fixing collar for mudguard, for tube Ø 38 to 43 mm, without screw.*

| Nr katalog.<br><i>Reference</i> |  <i>Kg</i> | Dostępność<br><i>On stock</i> |
|---------------------------------|---|-------------------------------|
| 3950514 S                       | 0,74  | X                             |

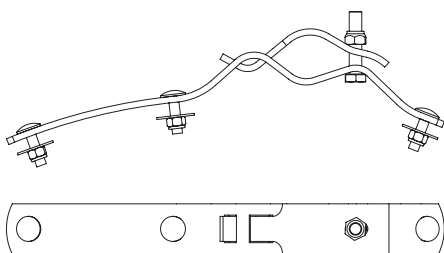


6

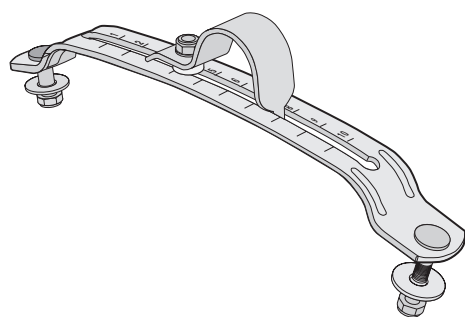


Wspornik uchwyty błotnika do rur od Ø 38 do 43 mm, stal cynkowana, ze śrubą M8-40.  
*Zinc plated steel fixing collar for mudguard, for tube Ø 38 to 43 mm, with screw M8-40.*

| Nr katalog.<br><i>Reference</i> |  <i>Kg</i> | Dostępność<br><i>On stock</i> |
|---------------------------------|---|-------------------------------|
| 3950505 S                       | 0,87  | X                             |



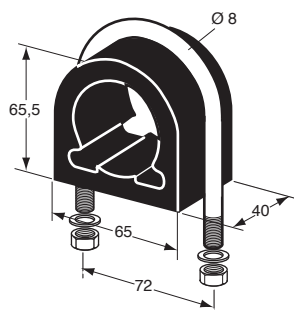
**WSPORNIKI UCHWYTÓW BŁOTNIKA - FIXING COLLAR FOR MUDGUARD**



Wspornik uchwyty błotnika do rur od Ø 40 do 42,5 mm, stal cynkowana.  
*Zinc plated steel fixing collar for mudguard, for tube Ø 40 to 42,5 mm.*

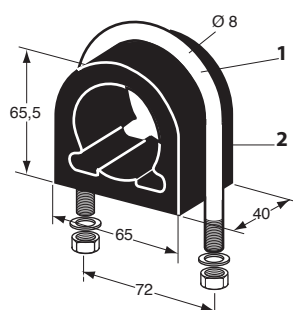
| Nr katalog.<br>Reference | Kg    | Dla<br>For   | Dostępność<br>On stock |
|--------------------------|-------|--------------|------------------------|
| 3950508                  | 0,57  | Ø42<br>Ø42,5 | X                      |
| 3950512                  | 0,542 | Ø34          | X                      |

6



Obejma do ściskania kompletna dla rury od Ø 40 do 42 mm.  
*Fixing collar for tube Ø 40 to 42 mm.*

| Nr katalog.<br>Reference | Kg   | Typ<br>Type | Skład<br>Composition           | Dostępność<br>On stock |
|--------------------------|------|-------------|--------------------------------|------------------------|
| 3950506                  | 0,20 | -           | 3950506CO x 1<br>3950506ET x 1 | X                      |



Elementy wspornika 3950506.  
*Component for fixing collar 3950506.*

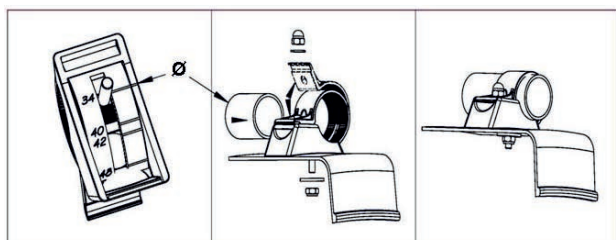
| Nr katalog.<br>Reference | Kg   | Typ<br>Type | Dostępność<br>On stock |
|--------------------------|------|-------------|------------------------|
| 3950506ET                | 0,10 | 1           | X                      |
| 3950506CO                | 0,10 | 2           | X                      |



Obejma uchwyty błotnika z tworzywa Parlok Unifix, zestaw 4 sztuki.  
*Parlock Unifix Plastic mudguard bracket, set of 4 pieces.*



| Nr katalog.<br>Reference | Ø     | Tworzywo<br>Material | Dostępność<br>On stock |
|--------------------------|-------|----------------------|------------------------|
| 5039300SET               | 32-42 | PA                   | X                      |
| 5039301SET               | 40-50 | PA                   | X                      |



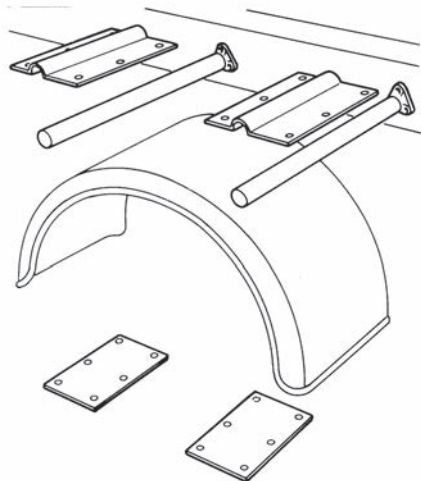





## WSPORNIKI UCHWYTÓW BŁOTNIKA - *FIXING COLLAR FOR MUDGUARD*

Zespół do zamocowania błotnika, zawiera 2 proste rury, długość 750 mm, 2 płyty mocujące i 2 przeciwpłyty.

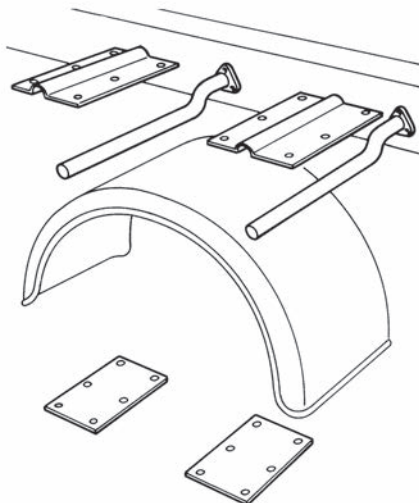
*Mudguard kit of installation comprising 2 straight tubes, length 750 mm, 2 fixing plates and 2 fixing backplates.*



| Nr katalog.<br>Reference |  Kg | Ø  | Długość<br>Length | Dostępność<br>On stock |
|--------------------------|--|----|-------------------|------------------------|
| 3950501                  | 6,50   | 34 | 750               | X                      |
| 3950502                  | 7,00   | 42 | 750               | X                      |

Kompletny zespół do zamocowania błotnika z 2 odgiętymi rurami Ø 42, długość 800 mm, 2 płyty mocujące i 2 przeciwpłyty.

*Mudguard kit of installation comprising 2 bent tubes, length 800 mm, 2 fixing plates and 2 fixing backplates.*



| Nr katalog.<br>Reference |  Kg | Ø  | Długość<br>Length | Dostępność<br>On stock |
|--------------------------|--|----|-------------------|------------------------|
| 3950503                  | 7,00   | 42 | 800               | X                      |

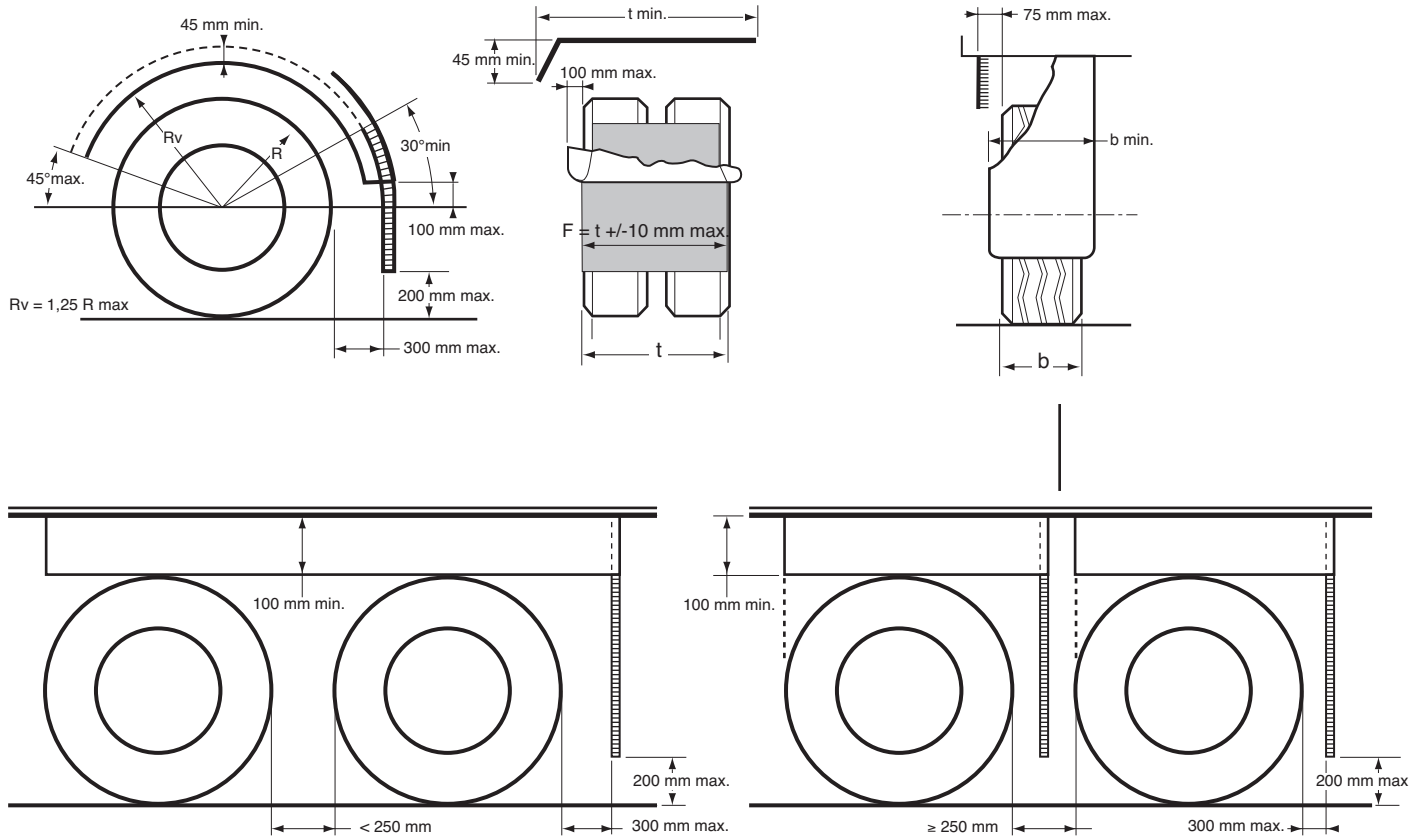


**FARTUCHY - MUD-FLAP**

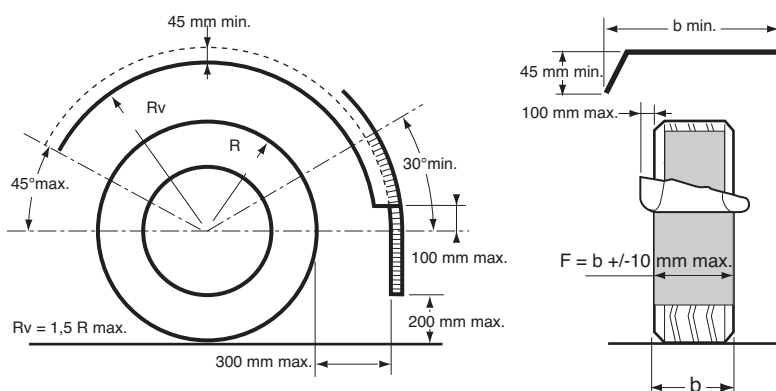
Regulacja UE 109/2011, artykuł R 104-1 Kodeksu Drogowego i zarządzenie wykonawcze z 18. września 1992 r, zobowiązują do montowania homologowanych osłon przeciwozobryzgowych na pojazdach silnikowych o dopuszczalnej masie całkowitej z obciążeniem ponad 7,5 tony i na przyczepach o masie całkowitej z obciążeniem ponad 3,5 tony, pierwszy raz dopuszczonych do ruchu po 1. października 1993 r.

*The reglement UE 109/2011, the article R 104-1 of the Highway Code and its decree of 18th September 1992 make the fitting of anti-projection systems mandatory on motor vehicles whose laden weight exceeds 7.5 tonnes and on trailers with a laden weight of over 3.5 tonnes, which were first put on the road from 1st October 1993.*

**Dla kół niekierowanych, wymagane wymiary minimalne**  
**Non-guiding wheels, minimum dimensions required**



**Dla kół kierowanych, wymagane wymiary minimalne.**  
**Guiding wheels, minimum dimensions required**



LWymiary podane w mm, dla pojazdu stojącego bez obciążenia, na nawierzchni poziomej z kołami ustawionymi na wprost. Wolna wysokość fartucha ograniczona jest do 450 mm. Podczas jazdy nie powinien się on zbyt oddalać od opony: patrz badania maksymalnego ugięcia wg podpunktu 6-3-6 Dyrektywy UE 109/2011.

*The dimensions indicated are in mm, vehicle unloaded, loading surface horizontal and wheels straightened. The free height of the flap is limited to 450 mm. When on the road, it should not move too far out from the tyre: see maximum bending test 6-3-6 of the reglement UE 109/2011.*

CLEAR PASS® jest zastrzeżonym znakiem towarowym  
 CLEAR PASS® is a trademark

## FARTUCHY GUMOWE - MUD-FLAP IN RUBBER

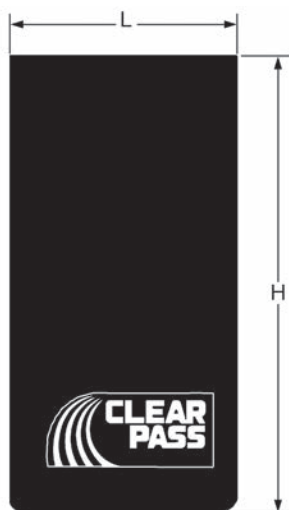


Fartuch grubości 3 mm, kauczuk naturalny.  
*Mud-flap in naturel rubber, 3 mm thickness.*

| Nr katalog.<br>Reference | Kg   | L   | H   |
|--------------------------|------|-----|-----|
| 3950305                  | 0,97 | 600 | 400 |
| 3950304                  | 0,77 | 500 | 350 |

6

## FARTUCHY PRZECIWOZBRYZGOWE CLEAR PASS - CLEAR PASS SPRAY SUPPRESSION FLAPS

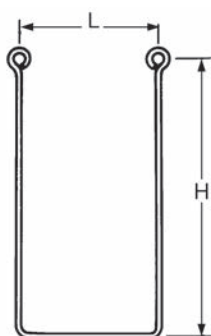


Osłona przeciwozobryzgowa Clear Pass, posiada homologację e6\*109/2011\*109/2011\*0025\*00, personalizacja bez dodatkowych kosztów od 24 sztuk.

*Clear Pass flaps, approved e6\*109/2011\*109/2011\*0025\*00, customizable at no extra charge from 24 pieces.*

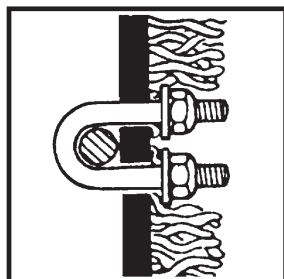


| Nr katalog.<br>Reference | Kg   | L   | H    |
|--------------------------|------|-----|------|
| 3950310                  | 3,90 | 610 | 1220 |
| 3950311                  | 3,35 | 610 | 1065 |
| 3950312                  | 3,40 | 610 | 915  |
| 3950318                  | 2,35 | 610 | 725  |
| 3950345                  | 3,30 | 450 | 1220 |
| 3950346                  | 2,90 | 450 | 1065 |
| 3950347                  | 2,50 | 450 | 915  |
| 3950349                  | 3,70 | 660 | 1065 |
| 3950350                  | 3,20 | 660 | 915  |
| 3950355                  | 3,90 | 690 | 1065 |




Usztywniacze w kształcie „U”, cynkowane.  
*Galvanized stiffeners with 2 U assemblies.*

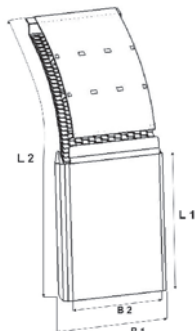
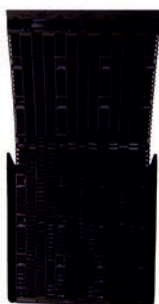
| Nr katalog.<br>Reference | Kg   | L   | H   |
|--------------------------|------|-----|-----|
| 3950331                  | 1,40 | 450 | 750 |


**FARTUCHY PRZECIWOZBRYZGOWE CLEAR PASS - CLEAR PASS SPRAY SUPPRESSION FLAPS**


Montaż typu U.

*U assembly.*

|                                 |   |
|---------------------------------|---|
| Nr katalog.<br><i>Reference</i> |  |
| 3950330ET                       | 200   |

**6**
**FARTUCHY PRZECIWOZBRYZGOWE SUPRA - SUPRA SPRAY SUPPRESSION FLAPS**

 Chłapacz do błotnika Parlok SUPRA, (e1\*109/2011\*109/2011\*0018\*00).  
*Parlok SUPRA spray suppression mudflap, (e1\*109/2011\*109/2011\*0018\*00).*


| Nr katalog.<br><i>Reference</i> |  Kg | B1      | B2  | L1  | L2  | Tworzywo<br><i>Material</i> | Dostępność<br><i>On stock</i> |
|---------------------------------|--|---------|-----|-----|-----|-----------------------------|-------------------------------|
| 5068405                         | 1,60   | 405-430 | 370 | 400 | 820 | PE-HD                       | X                             |
| 5068455                         | 1,80   | 450-455 | 420 | 400 | 820 | PE-HD                       | -                             |
| 5068480                         | 1,60   | 480-500 | 445 | 300 | 720 | PE-HD                       | X                             |
| 5068550                         | 2,00   | 550     | 515 | 300 | 720 | PE-HD                       | X                             |
| 5068595                         | 2,20   | 595-630 | 560 | 400 | 820 | PE-HD                       | X                             |
| 5068650                         | 2,50   | 650-680 | 615 | 400 | 820 | PE-HD                       | X                             |
| 5068720                         | 2,90   | 720     | 685 | 400 | 820 | PE-HD                       | -                             |

 Zestaw śrub do chłapacza przeciwozbryzgowego Parlok SUPRA.  
*Fixing set for Parlok SUPRA mudflap.*


| Nr katalog.<br><i>Reference</i> |  Kg | Tworzywo<br><i>Material</i> |
|---------------------------------|--|-----------------------------|
| 5942680                         | -  | Ocynkowana<br>Zinc plated   |

**OSŁONY PRZECIWOZBRYZGOWE BOCZNE CLEAR PASS - CLEAR PASS SPRAY SUPPRESSION LATERAL FLAPS**

Osłona przeciwzobryzgowa Clear Pass, posiada homologacje e6\*109/2011\*109/2011\*0025\*00.

*Clear Pass lateral flaps, approved e6\*109/2011\*109/2011\*0025\*00.*



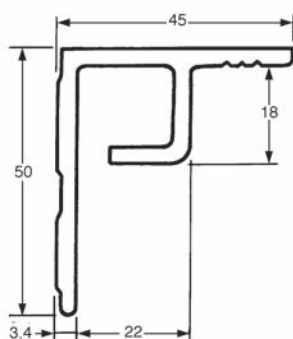
| Nr katalog.<br>Reference | △Kg  | L    | H   |
|--------------------------|------|------|-----|
| 3950361                  | 1,30 | 1220 | 200 |
| 3950362                  | 2,20 | 1220 | 300 |
| 3950363                  | 1,20 | 1350 | 150 |
| 3950364                  | 2,50 | 2000 | 200 |

6



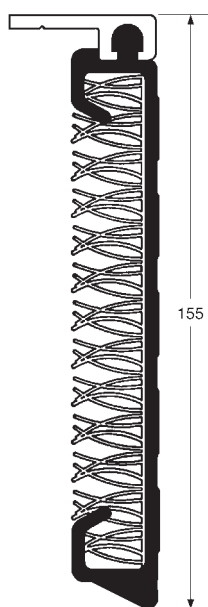
Profil do zakładania osłon bocznych, aluminium anodowane.  
*Anodised aluminium profile for fixing of the lateral flaps.*

| Nr katalog.<br>Reference | Długość<br>Length |
|--------------------------|-------------------|
| 3950332                  | 4000              |

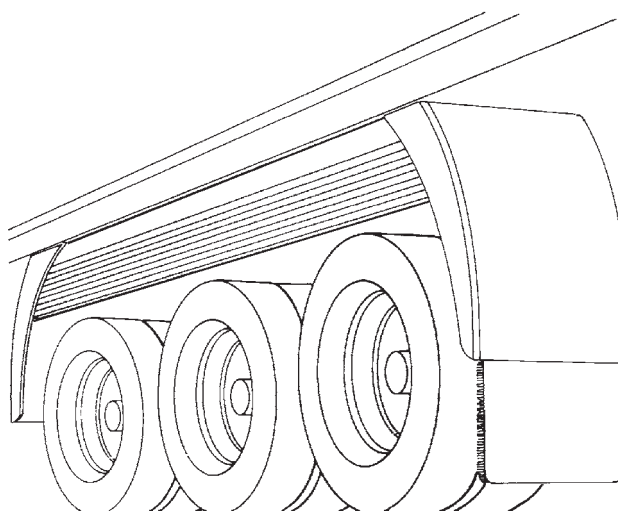


**OSŁONY PRZECIWOZBRYZGOWE BOCZNE - SPRAY SUPPRESSION LATERAL FLAPS**

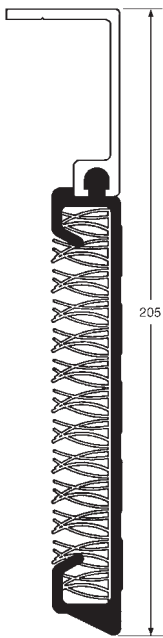
Osłona kompletna o wys. 155 mm, przeciwzobryzgowa.  
*Side-skirt plus profile, 155 mm height fitted with anti spray.*



| Nr katalog.<br>Reference | Długość<br>Length | Wysokość<br>Height |
|--------------------------|-------------------|--------------------|
| 3950375                  | 3800              | 155                |



**OSŁONY PRZECIWOZBRYZGOWE BOCZNE - *SPRAY SUPPRESSION LATERAL FLAPS***

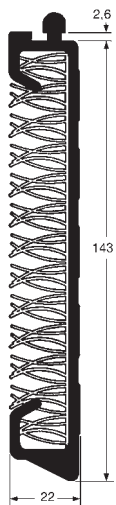


Osłona kompletna o wys. 205 mm, przeciwozbryzgowa.  
*Side-skirt plus profile, 205 mm height fitted with anti spray.*



| Nr katalog.<br><i>Reference</i> | Długość<br><i>Length</i> | Wysokość<br><i>Height</i> |
|---------------------------------|--------------------------|---------------------------|
| 3950377                         | 3800                     | 205                       |

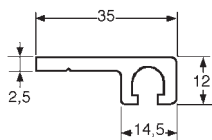
6



Taśma osłony przeciwozbryzgowej.  
*Side-skirt.*

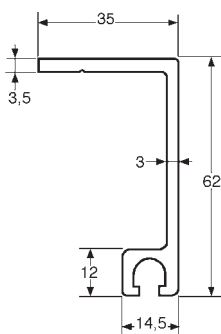


| Nr katalog.<br><i>Reference</i> | Długość<br><i>Length</i> |
|---------------------------------|--------------------------|
| 3950375JU                       | 3800                     |
| 3950376JU                       | 4500                     |



Profil z aluminium anodowanego.  
*Anodized aluminium profile.*

| Nr katalog.<br><i>Reference</i> | Długość<br><i>Length</i> |
|---------------------------------|--------------------------|
| 3950367SU                       | 3800                     |



Profil z aluminium anodowanego.  
*Anodized aluminium profile.*

| Nr katalog.<br><i>Reference</i> | Długość<br><i>Length</i> |
|---------------------------------|--------------------------|
| 3950368SU                       | 3800                     |

**OSŁONY PRZECIWOZBRYZGOWE BOCZNE I BŁOTNIKI TYLNE SUPRA - SUPRA SPATS AND SPRAY SUPPRESSION LATERAL FLAPS**



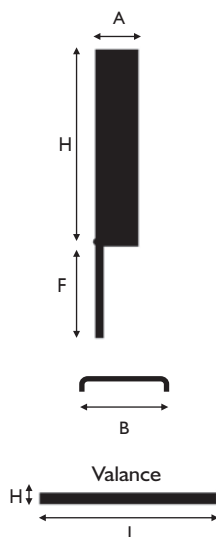
Błotnik Spat Parlok SUPRA White Line+ osłona przeciwzobryzgowa, (e1\*109/2011\*109/2011\*0018\*00).

Parlok White Line SUPRA Spat + Valance, (e1\*109/2011\*109/2011\*0018\*00).



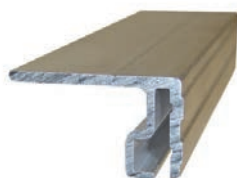
| Nr katalog.<br>Reference | B   | L    | H   | A  | F   | Typ<br>Type | Dostępność<br>On stock |
|--------------------------|-----|------|-----|----|-----|-------------|------------------------|
| 5315010                  | 500 |      | 600 | 70 | 400 |             | -                      |
| 5316010                  | 600 |      | 600 | 70 | 400 |             | -                      |
| 5316510                  | 650 |      | 600 | 70 | 400 |             | -                      |
| 5311540                  |     | 4000 | 140 |    |     | Valance     | -                      |

6

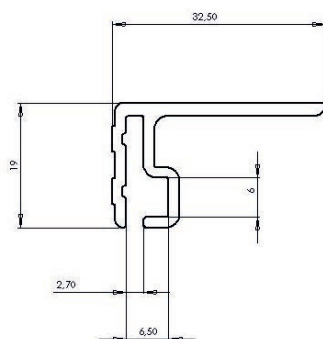


Profil aluminiowy do mocowania osłony przeciwzobryzgowej dla modelu Parlok White Line Supra.

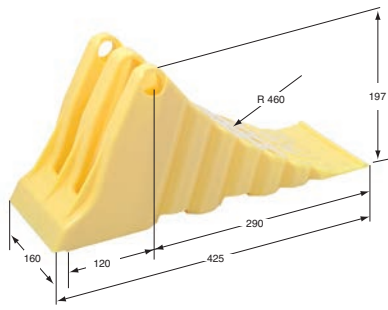
Aluminium fixing profile for Parlok White Line SUPRA Valance.



| Nr katalog.<br>Reference | L    | Dostępność<br>On stock |
|--------------------------|------|------------------------|
| 5949999                  | 4000 | -                      |

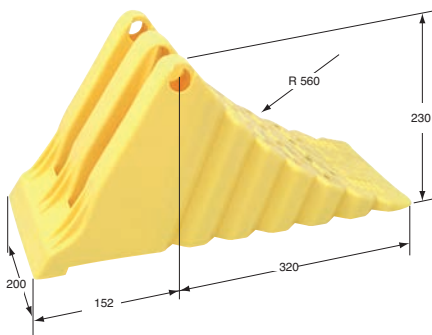


**PODSTAWKI POD KOŁA - WHEEL CHOCKS**




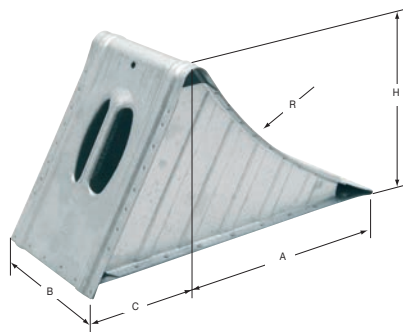
Podstawka pod koło, NG46 wg DIN 76051-11/92, tworzywo żółte RAL 1023. Maksymalny promień przyłożenia = 460 mm.  
*Yellow (RAL 1023) plastic wheel chock NG46 (DIN 76051-11/92). Maximum ray of tyre = 460 mm.*

| Nr katalog.<br>Reference |  |
|--------------------------|---|
| 3951298                  | 1,10  |




Podstawka pod koło, NG53 wg DIN 76051-11/92, tworzywo żółte RAL 1023. Maksymalny promień przyłożenia = 530 mm.  
*Yellow (RAL 1023) plastic wheel chock NG53 (DIN 76051-11/92) Maximum ray of tyre = 530 mm.*

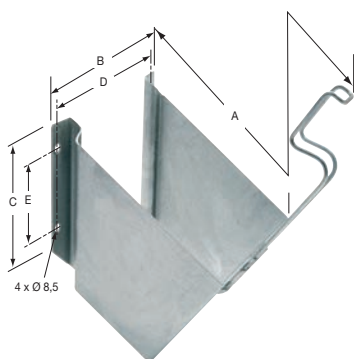
| Nr katalog.<br>Reference |  |
|--------------------------|---|
| 3951300                  | 1,875   |



Podstawka pod koło, stal lakierowana wg DIN 76051-11/92.  
*Galvanized steel wheel chock (DIN 76051-11/92).*

| Nr katalog.<br>Reference |  | B   | R   | H   | A   | C   | Obciążenie(kN)<br>Charge (kN) | Typ<br>Type |
|--------------------------|---|-----|-----|-----|-----|-----|-------------------------------|-------------|
| 3951288GA                | 1,00  | 120 | 360 | 150 | 220 | 100 | 16                            | -           |
| 3951286GA                | 2,80  | 160 | 460 | 190 | 260 | 120 | 50                            | NG46        |
| 3951284GA                | 4,30  | 200 | 560 | 230 | 320 | 150 | 65                            | NG53        |

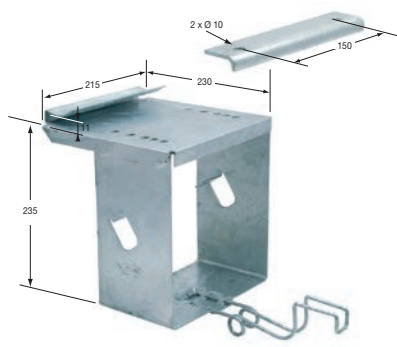
**PODSTAWKI POD KOŁA - WHEEL CHOCKS**



Wspornik, stalowy cynkowany.  
*Galvanized steel support.*

| Nr katalog.<br>Reference | Kg    | B   | A   | C   | D          | E  | Typ<br>Type | Dla<br>For           |
|--------------------------|-------|-----|-----|-----|------------|----|-------------|----------------------|
| 3951289GA                | 0,50  | 164 | 225 | 92  | 144        | 40 | -           | 3951288GA            |
| 3951308GA                | 0,995 | 210 | 225 | 100 | 184<br>190 | 60 | NG46        | 3951286GA<br>3951298 |
| 3951307GA                | 1,378 | 250 | 266 | 120 | 226<br>230 | 80 | NG53        | 3951284GA<br>3951300 |

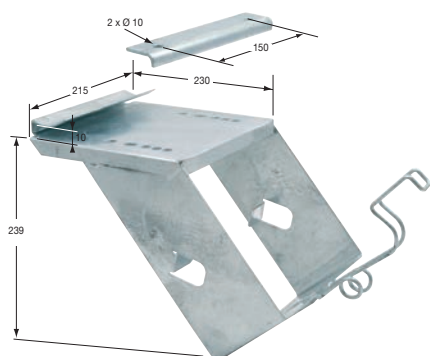
6



Schówek z zatrzaskiem do podstawki pod koło NG53 3951284GA i 3951300, stal cynkowana.

*Steel support for wheel chock NG53 3951284GA and 3951300.*

| Nr katalog.<br>Reference | Kg   | Dla<br>For           |
|--------------------------|------|----------------------|
| 3951306                  | 3,18 | 3951284GA<br>3951300 |



Schówek z zatrzaskiem, do podstawki pod koło NG53 nr katal. 3951284GA i 3951300, stal cynkowana.

*Steel support for wheel chock NG53 3951284GA and 3951300.*

| Nr katalog.<br>Reference | Kg   | Dla<br>For           |
|--------------------------|------|----------------------|
| 3951305                  | 3,22 | 3951284GA<br>3951300 |



**WCIĄGARKA POD KOŁA - *SPARE WHEEL CARRIER***

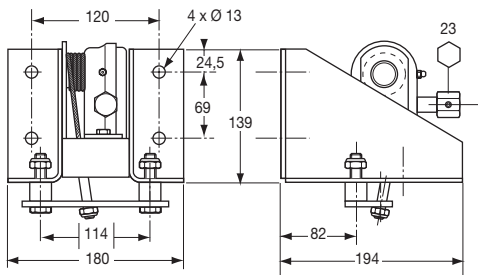
Wciągarka i uchwyt koła zapasowego z obręczą o 2 otworach.  
*Wheel carrier, 2 stud wheel.*



Nr katalog.  
Reference



3644276 5,10



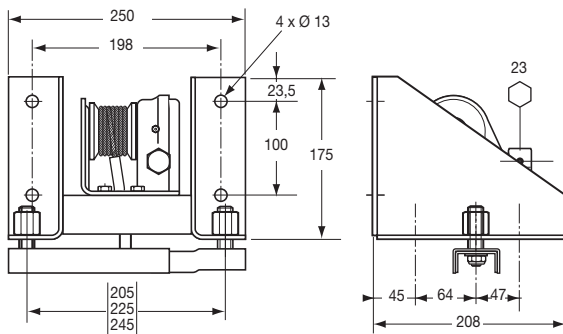
Wciągarka i uchwyt koła zapasowego z obręczą o 6 otworach.  
*Wheel carrier, 6 stud wheel.*



Nr katalog.  
Reference



3644287 6,34



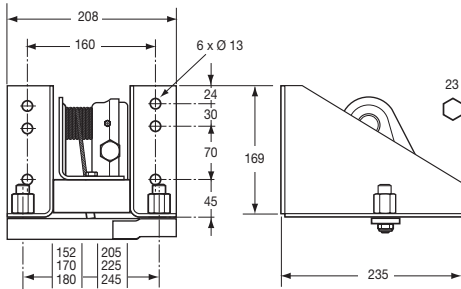
**WCIĄGARKA POD KOŁA - *SPARE WHEEL CARRIER***

Wciągarka i uchwyt koła zapasowego uniwersalna 152/245 mm.  
*Universal spare wheel carrier 152/245 mm.*



| Nr katalog.<br>Reference | Kg   |
|--------------------------|------|
| 3644295                  | 5,80 |

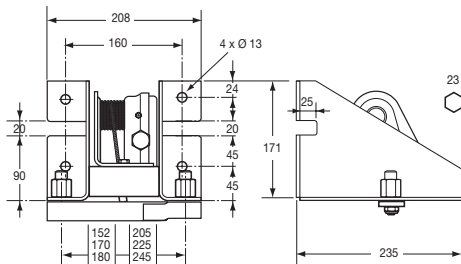
6



Wciągarka i uchwyt koła zapasowego do Mercedesa Sprintera.  
*Spare wheel carrier for Mercedes Sprinter.*



| Nr katalog.<br>Reference | Kg    |
|--------------------------|-------|
| 3644296                  | 5,715 |



**WCIĄGARKA POD KOŁA - *SPARE WHEEL CARRIER***

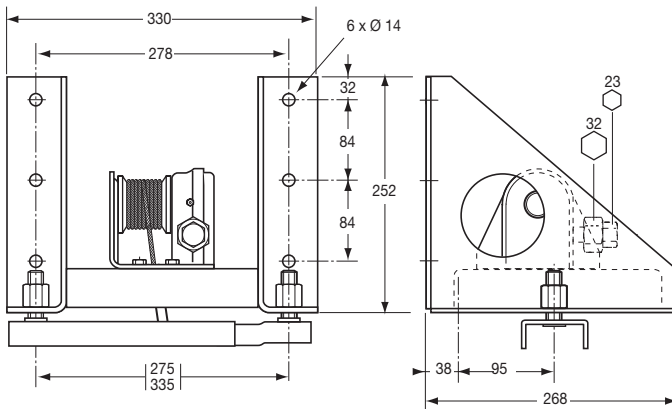
Wciągarka i uchwyt koła zapasowego z obręczą o 8/10 otworach.  
*Wheel carrier, 8/10 stud wheel.*



Nr katalog.  
Reference



3644288 10,40



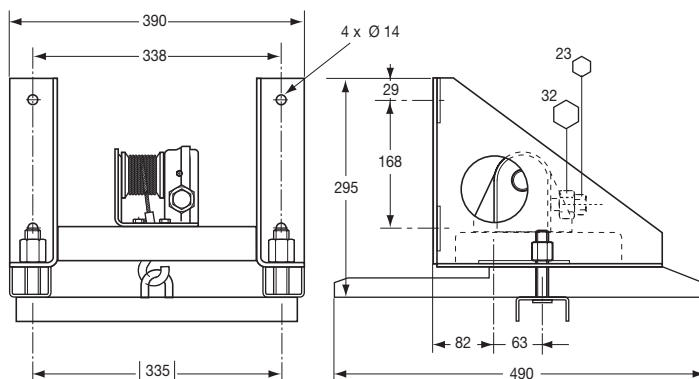
Wciągarka i uchwyt koła zapasowego z obręczą o 10 otworach.  
*Wheel carrier, 10 stud wheel.*



Nr katalog.  
Reference



3644275 15,45



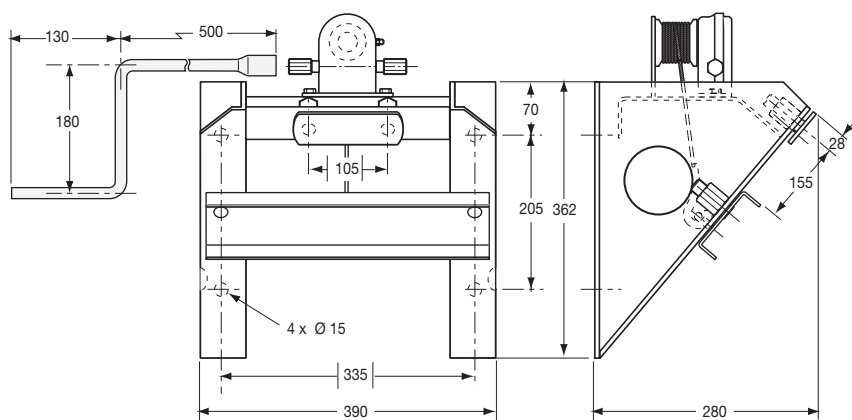
**WCIĄGARKA POD KOŁA - *SPARE WHEEL CARRIER***



Wciągarka z uchwytem, nachylonym pod kątem 52°, koła zapasowego o obręczy z 10 otworami, z korbą.  
*Tilted wheel carrier (52°) with crank, for 10 stud wheel.*

| Nr katalog.<br>Reference | Kg    |
|--------------------------|-------|
| 3644289                  | 16,00 |

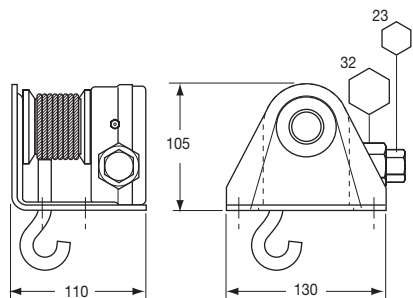
6



Mechanizm wciągarek 3644275 / 3644288 (1 obrót = 7 mm).  
*Only mechanism for 3644275 et 3644288 (1 turn = 7 mm).*




| Nr katalog.<br>Reference | Kg    | Dla<br>For         |
|--------------------------|-------|--------------------|
| 3644291                  | 0,194 | 3644275<br>3644288 |

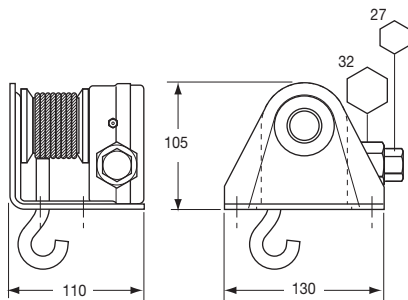


**WCIĄGARKA POD KOŁA - SPARE WHEEL CARRIER**



Mechanizm wciągarek 3644275 i 3644288 (1 obrót = 7 mm).  
Only mechanism for 3644275 et 3644288 (1 turn = 7 mm).


| Nr katalog.<br>Reference |  |
|--------------------------|---|
| 3644297                  | 0,194   |

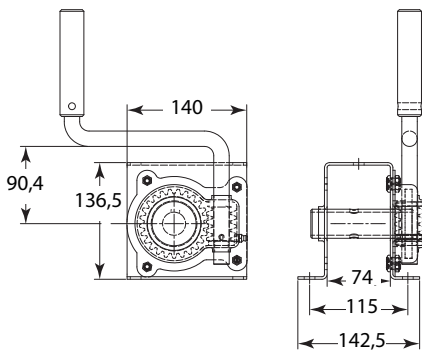


6

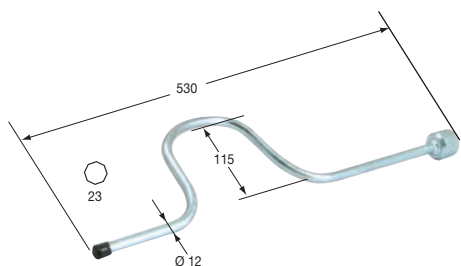


Wciągarka stalowa do podnoszenia, maksymalne obciążenie: 250 kg. Podniesienie na obrót: 8 mm, przełożenie ślimak/koło ślimakowe 1/25.  
Pulling winch, steel, maximum load : 250 kg, raising distance : 8 mm per revolution, ratio screw gear/pinion : 1/25.

| Nr katalog.<br>Reference |  |
|--------------------------|---|
| 3644265                  | 4,50  |



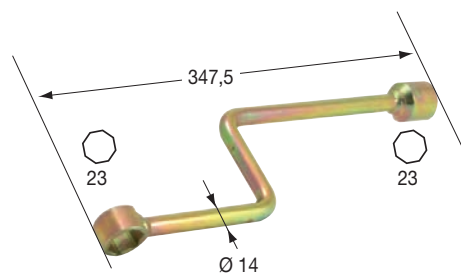
**KLUCZE I TULEJKI - CRANK-HANDLE AND SOCKET**



Korba ze stali cynkowanej.  
*Zinc plated steel crank-handle.*

| Nr katalog.<br>Reference | Kg    |
|--------------------------|-------|
| 3644292                  | 0,690 |

6



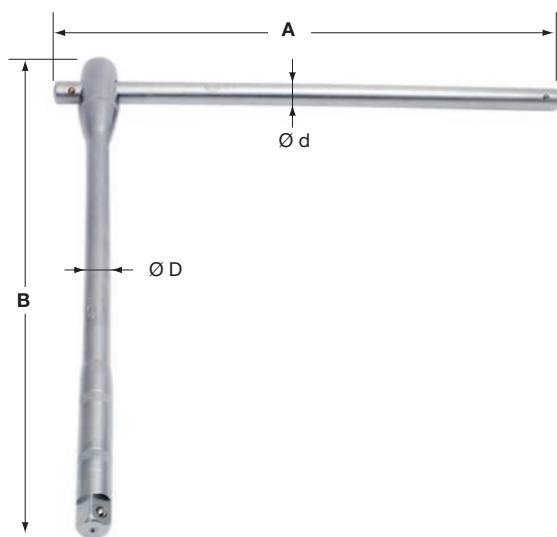
Klucz 23 mm, stal chromowa cynkowana dla wciągarki pod koła.  
*ZBI crank-handle 23 mm for spare wheel carrier.*

| Nr katalog.<br>Reference | Kg   |
|--------------------------|------|
| 3644294                  | 0,59 |

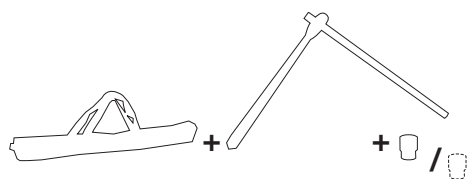
Korba z płótnianym pokrowcem, stal cynkowana.  
*Zinc plated crank-handle only, with cloth bag.*



| Nr katalog.<br>Reference | Kg    | A<br>(mm) | B<br>(mm) |
|--------------------------|-------|-----------|-----------|
| 3644320                  | 3,272 | 495±5     | 480       |



Zestaw korby = pokrowiec+ korba + tulejka(i).  
*Complete crank-handle = cloth bag + crank-handle + socket(s).*





| Nr katalog.<br>Reference | Kg    |          |
|--------------------------|-------|----------|
| 3644327                  | 3,545 | 27       |
| 3644332                  | 3,571 | 32       |
| 3644333                  | 3,671 | 33       |
| 3644370C                 | 3,97  | 32<br>33 |

**KLUCZE I TULEJKI - CRANK-HANDLE AND SOCKET**


27

Tulejka 27 mm, stal cynkowana, do korby nr. 3644320.  
*Socket 27 mm, zinc plated, for crank-handle 3644320.*

| Nr katalog.<br>Reference |  Kg |  | Dla<br>For |
|--------------------------|--|---|------------|
| 3644327DO                | 0,273  | 27  | 3644320    |



32

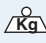

Tulejka 32 mm, stal cynkowana, do korby nr. 3644320.  
*Socket 32 mm, zinc plated, for crank-handle 3644320.*

| Nr katalog.<br>Reference |  Kg |  | Dla<br>For |
|--------------------------|--|---|------------|
| 3644332DO                | 0,299  | 32  | 3644320    |



33

Tulejka 33 mm, stal cynkowana, do korby nr. 3644320.  
*Socket 33 mm, zinc plated, for crank-handle 3644320.*

| Nr katalog.<br>Reference |  Kg |  | Dla<br>For |
|--------------------------|--|---|------------|
| 3644333DO                | 0,399  | 33  | 3644320    |



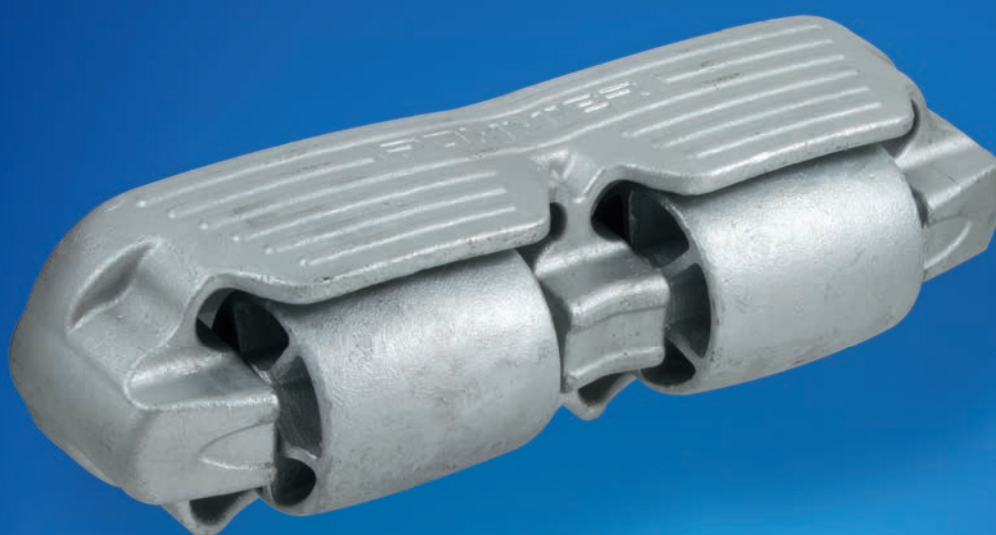


## **ODBOJE / ZDERZAKI**

Proste, zderzaki, S.Roll, Butroll

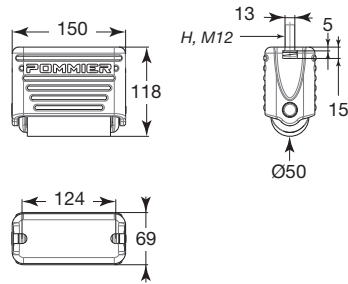
## ***BUFFERS / ABUTMENT***

*Square rubber fenders, delta rubber fender, S.Roll, Butroll*

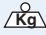


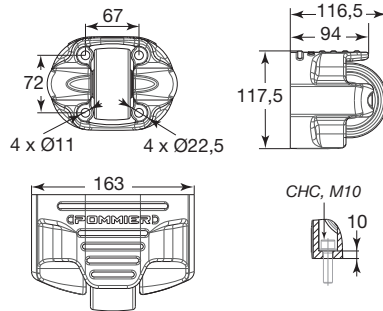


**POZIOME - HORIZONTAL**

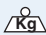


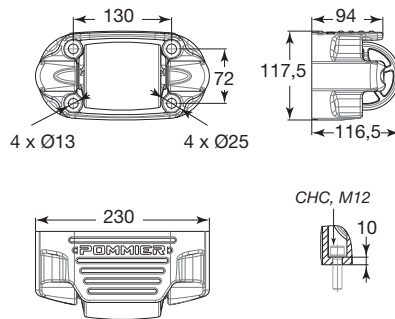
S.ROLL C1 kompaktowy poziomy 1 rolka.  
*S.ROLL C1, 1 roll Compact horizontal model, galvanised steel buffer, energy absorbing spring, zinc plated pin.*

| Nr katalog.<br>Reference |  |
|--------------------------|---|
| 3950801                  | 4,50  |




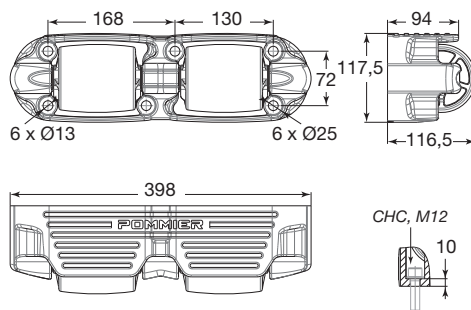
S.ROLL H1E poziomy 1 rolka.  
*S.ROLL H1E, 1 slim roll horizontal model, galvanised steel buffer, energy absorbing spring, zinc plated pin.*

| Nr katalog.<br>Reference |  |
|--------------------------|---|
| 3950802                  | 5,60  |




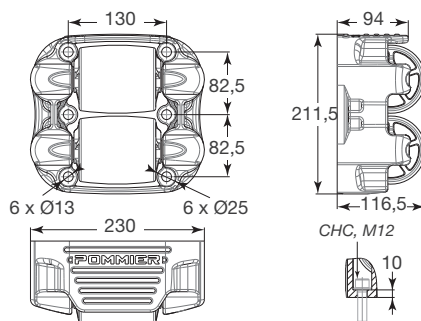
S.ROLL H1 poziomy 1 rolka.  
*S.ROLL H1, 1 roll horizontal model, galvanised steel buffer, energy absorbing spring, zinc plated pin.*

| Nr katalog.<br>Reference |  |
|--------------------------|---|
| 3950806                  | 7,00  |




S.ROLL H2 poziomy 2 rolki.  
*S.ROLL H2, 2 roller horizontal model, galvanised steel buffer, energy absorbing spring, zinc plated pin.*

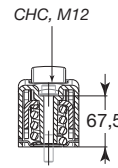
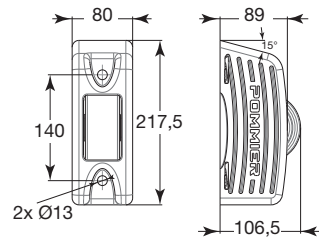
| Nr katalog.<br>Reference |  |
|--------------------------|---|
| 3950811                  | 12,50   |




S.ROLL S2 nakładany poziomy 2 rolki.  
*S.ROLL S2, 2 roller superimposed horizontal model, galvanised steel buffer, energy absorbing spring, zinc plated pin.*

| Nr katalog.<br>Reference |  |
|--------------------------|---|
| 3950812                  | 13,00   |

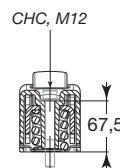
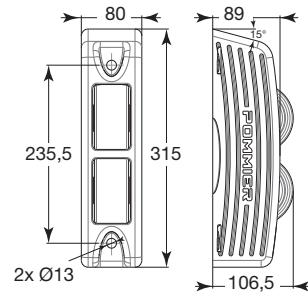
PIONOWE - VERTICAL




S.ROLL V1 pionowy 1 rolka.  
S.ROLL V1, 1 roller vertical model, galvanised steel buffer, energy absorbing spring, zinc plated pin.

| Nr katalog.<br>Reference |  |
|--------------------------|---|
| 3950816                  | 5,50  |

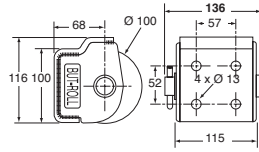
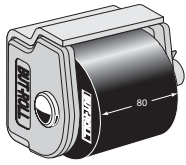
7



S.ROLL V2 pionowy 2 rolki.  
S.ROLL V2, 2 roller vertical model, galvanised steel buffer, energy absorbing spring, zinc plated pin.

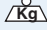
| Nr katalog.<br>Reference |  |
|--------------------------|---|
| 3950821                  | 8,50  |

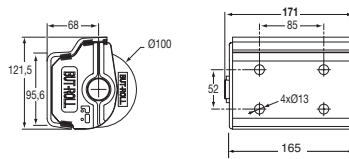
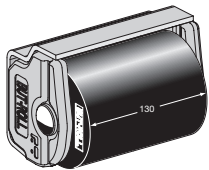
**POZIOME - HORIZONTAL**



Odbój poziomy z 1 rolką 80 mm i cokołem stalowym ocynkowanym.

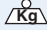
*Single buffer with 1 cylindrical roller 80 mm with galvanized steel bracket.*

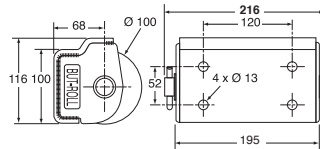
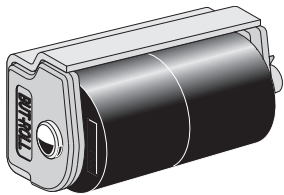
| Nr katalog.<br>Reference |  |
|--------------------------|---|
| 3950249GA                | 4,400   |



Odbój poziomy z 1 rolką 130 mm i cokołem stalowym ocynkowanym.

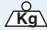
*Single buffer with 1 cylindrical roller 130 mm galvanized steel bracket.*

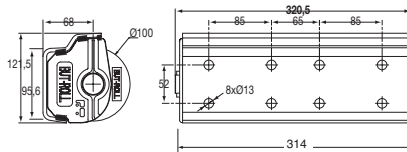
| Nr katalog.<br>Reference |  |
|--------------------------|---|
| 3950255GA                | 4,925   |



Odbój poziomy z 2 rolkami 80 mm i cokołem stalowym ocynkowanym.


*Horizontal buffer with 2 cylindrical rollers 80 mm with galvanized steel bracket.*

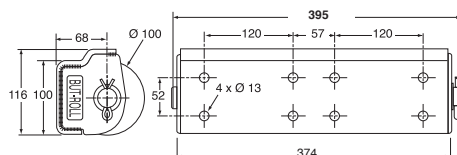
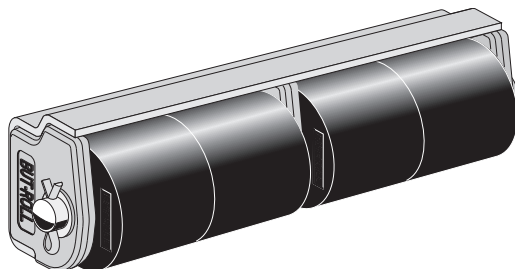
| Nr katalog.<br>Reference |  |
|--------------------------|---|
| 3950250GA                | 6,000   |



Odbój poziomy z 2 rolkami 130 mm i cokołem stalowym ocynkowanym.


*Horizontal buffer with 2 cylindrical rollers 130 mm with galvanized steel bracket.*

| Nr katalog.<br>Reference |  |
|--------------------------|---|
| 3950256GA                | 9,045   |

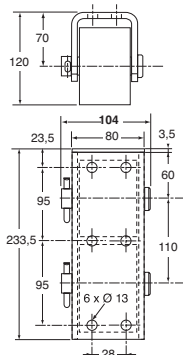
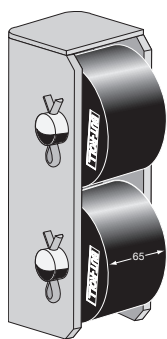


Odbój poziomy z 4 rolkami 80 mm i cokołem stalowym ocynkowanym.

*Horizontal buffer with 4 cylindrical rollers 80 mm with galvanized steel bracket.*

| Nr katalog.<br>Reference |  |
|--------------------------|---|
| 3950251GA                | 10,900  |

PIONOWE - VERTICAL

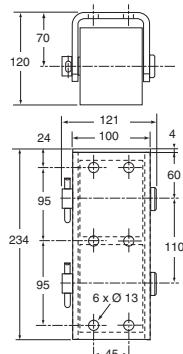
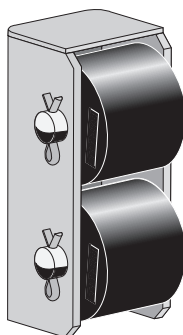


Odbój pionowy z 2 rolkami 65 mm i cokołem stalowym ocynkowanym.

*SLIM vertical buffer with 2 cylindrical 65 mm rollers with galvanized steel bracket.*

| Nr katalog.<br>Reference | Kg    |
|--------------------------|-------|
| 3950258GA                | 5,285 |

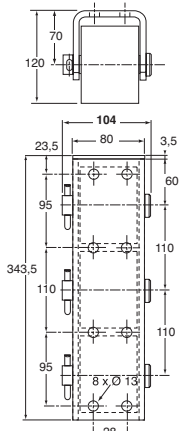
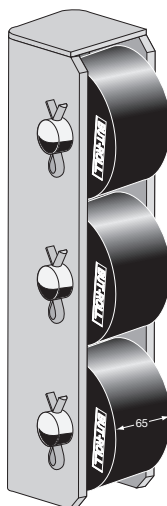
7



Odbój pionowy z 2 rolkami 80 mm i cokołem ze stali surowej.

*Vertical buffer with 2 cylindrical rollers 80 mm and self colour steel bracket.*

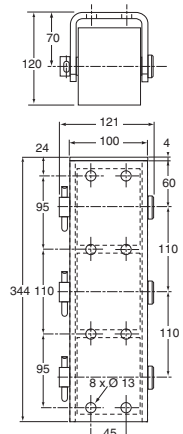
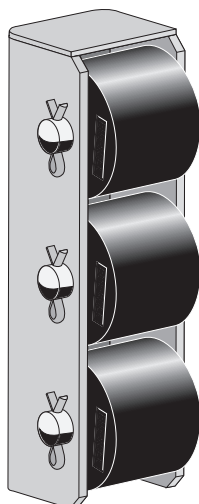
| Nr katalog.<br>Reference | Kg    |
|--------------------------|-------|
| 3950253GA                | 6,900 |



Zderzak pionowy z 3 rolkami 65 mm i cokołem stalowym ocynkowanym.

*SLIM vertical buffer with 3 cylindrical rollers 65 mm and galvanised steel bracket.*

| Nr katalog.<br>Reference | Kg    |
|--------------------------|-------|
| 3950259GA                | 7,760 |

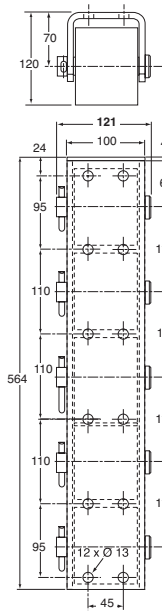
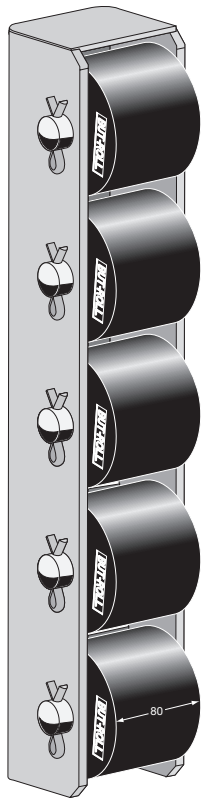


Odbój pionowy z 3 rolkami 80 mm i cokołem ze stali surowej.

*Vertical buffer with 3 cylindrical rollers 80 mm and self colour steel bracket.*

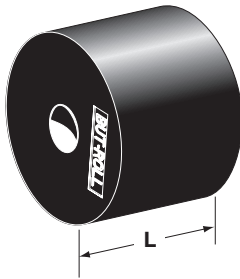
| Nr katalog.<br>Reference | Kg    |
|--------------------------|-------|
| 3950252GA                | 8,600 |

**PIONOWE - VERTICAL**



Odbój pionowy z 5 rolkami 80 mm i cokołem stalowym surowym.  
*Vertical buffer with 5 cylindrical rollers 80 mm and self colour steel bracket.*

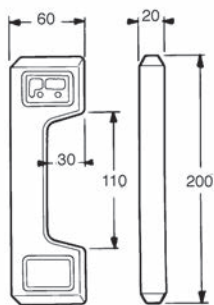
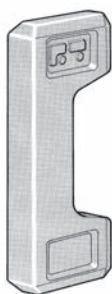
| Nr katalog.<br>Reference | Kg     |
|--------------------------|--------|
| 3950257                  | 15,960 |



Rolka (tylko), walcowa.  
*Cylindrical roller.*

| Nr katalog.<br>Reference | Kg    | L   | Dla For                                       |
|--------------------------|-------|-----|---|
| 3950250BU                | 0,975 | 80  | 3950249GA/250GA/<br>251GA/252GA/<br>253GA/257 |
| 3950254BU                | 0,790 | 65  | 3950258GA/259GA                               |
| 3950255BU                | 1,505 | 130 | 3950255GA/256GA                               |

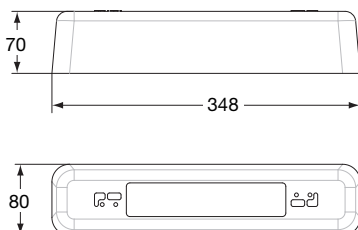
STAL - STEEL



Odbój, stal surowa.  
Self colour steel buffer.

| Nr katalog.<br>Reference | Kg    |
|--------------------------|-------|
| 3950301                  | 1,200 |

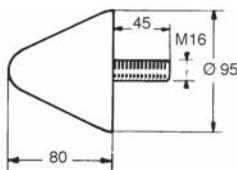
7



Kieł odboju, stal surowa.  
Self colour steel buffer.

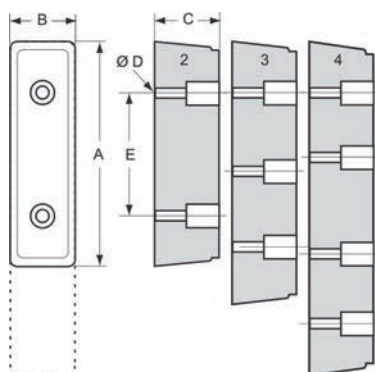
| Nr katalog.<br>Reference | Kg    |
|--------------------------|-------|
| 3950317                  | 4,500 |

GUMOWY - RUBBER



Odbój stożkowy, gumowy na rdzeniu metalowym.  
Rubber buffer with threaded stud.

| Nr katalog.<br>Reference | Kg    |
|--------------------------|-------|
| 3950294                  | 0,670 |



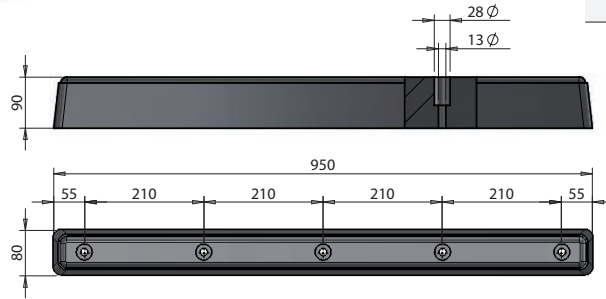
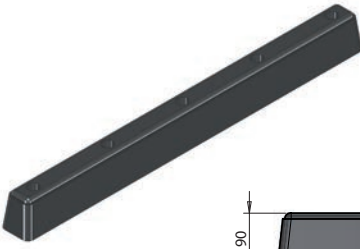
Odbój gumowy tyl.  
Rubber buffers.

| Nr katalog.<br>Reference | Kg    | A   | B   | C   | E          | ØD     |
|--------------------------|-------|-----|-----|-----|------------|--------|
| 3950270 S                | 6,500 | 600 | 100 | 125 | 150<br>200 | 4x12,5 |
| 3950302                  | 1,400 | 400 | 50  | 60  | 165        | 3x13   |
| 3950303                  | 3,500 | 360 | 100 | 105 | 205        | 2x13   |
| 3950306                  | 0,650 | 120 | 75  | 85  | 65         | 2x14   |
| 3950307                  | 1,150 | 195 | 80  | 80  | 85         | 2x14   |
| 3950308                  | 0,530 | 210 | 50  | 55  | 125        | 2x9    |
| 3950309                  | 1,750 | 250 | 80  | 90  | 120        | 2x13   |



**GUMOWY - RUBBER**

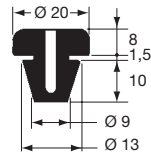
Odbój gumowy czarny 950 x 80 x 90.  
*Black rubber buffer 950 x 80 x 90.*



Nr katalog.  
*Reference*



400510419 8,030

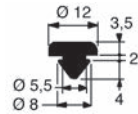


Zderzak.  
*Buffers.*

Nr katalog.  
*Reference*



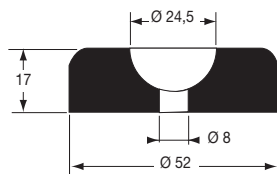
5132690 100



Zderzak.  
*Buffers.*

Nr katalog.  
*Reference*

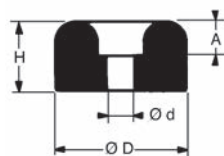
5103318



Zderzaki.  
*Buffers.*

Nr katalog.  
*Reference*

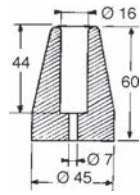
5103337 SC



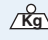
Zderzak Cheston.  
*Cheston buffer.*

| Nr katalog.<br><i>Reference</i> | A<br>(mm) | ØD<br>(mm) | Ød<br>(mm) | H<br>(mm) |     |
|---------------------------------|-----------|------------|------------|-----------|-----|
| 5103345                         | 5         | 24         | 5          | 11        | 100 |
| 5103346                         | 7         | 28         | 6          | 14        | 100 |
| 5103347                         | 7         | 28         | 6          | 16        | 100 |
| 5103348                         | 9         | 33         | 8          | 18        | 50  |

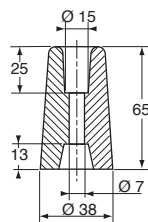
GUMOWY - RUBBER




Odbój stożkowy gumowy.  
*Rubber buffer.*

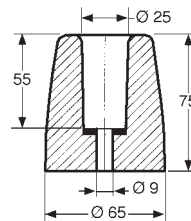
| Nr katalog.<br>Reference |  |
|--------------------------|---|
| 5103349                  | 0,080   |

7




Odbój stożkowy gumowy.  
*Rubber buffers.*

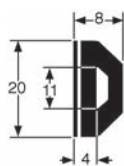
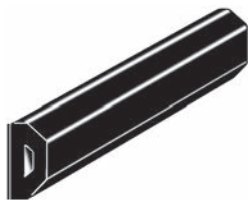
| Nr katalog.<br>Reference |  |
|--------------------------|---|
| 5103355                  | 0,066   |



Odbój stożkowy gumowy.  
*Rubber buffers.*

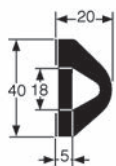
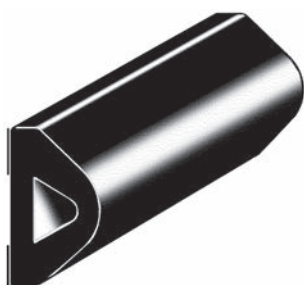
| Nr katalog.<br>Reference |  |
|--------------------------|---|
| 5132691                  | 0,260   |

**DELTA - DELTA**

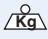


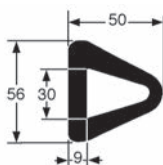
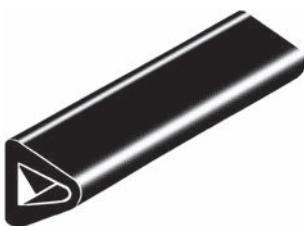
Zderzak E.P.D.M., elastyczny, czarny, samoprzylepny.  
*Black flexible E.P.D.M. protection, self adhesive.*

| Nr katalog.<br>Reference |  Kg | Długość<br>Length |
|--------------------------|--|-------------------|
| 1636743                  | 7  | 50 m              |




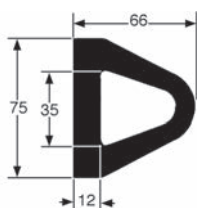
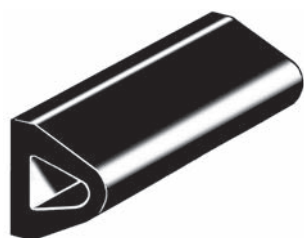
Zderzak E.P.D.M., elastyczny, czarny, samoprzylepny.  
*Black flexible E.P.D.M. protection, self adhesive.*

| Nr katalog.<br>Reference |  Kg | Długość<br>Length |
|--------------------------|--|-------------------|
| 1636742                  | 11,5   | 20 m              |

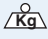


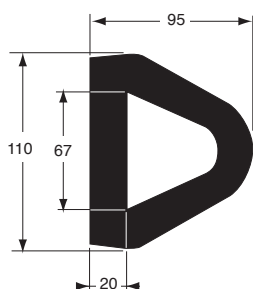
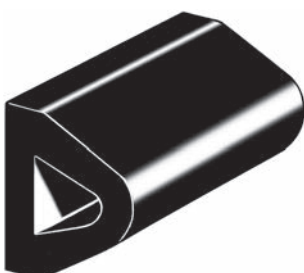
Zderzak Delta.  
*Delta rubber fenders.*

| Nr katalog.<br>Reference |  Kg | Długość<br>Length |
|--------------------------|--|-------------------|
| 3950295                  | 5  | 2500              |



Zderzak Delta.  
*Delta rubber fenders.*

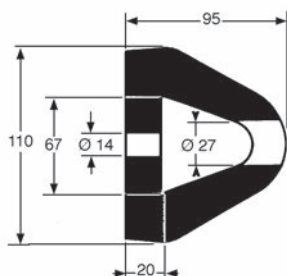
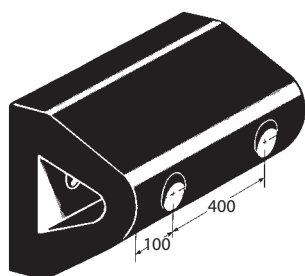
| Nr katalog.<br>Reference |  Kg | Długość<br>Length |
|--------------------------|--|-------------------|
| 3950292                  | 9  | 2500              |



Zderzak Delta.  
*Delta rubber fenders.*

| Nr katalog.<br>Reference |  Kg | Długość<br>Length |
|--------------------------|--|-------------------|
| 3950293                  | 16   | 2500              |

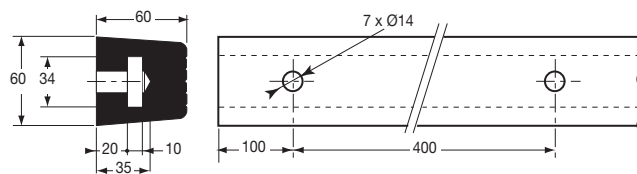
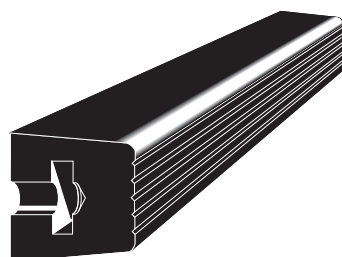
**DELTA - DELTA**



Zderzak Delta.  
*Delta rubber fenders.*

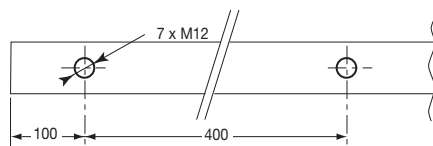
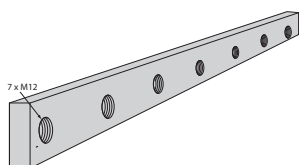
| Nr katalog.<br>Reference | Kg | Długość<br>Length |
|--------------------------|----|-------------------|
| 3950289                  | 22 | 2600              |

**7 TYLNY I BOCZNY - REAR AND SIDE**



Profil E.P.D.M. czarny, nawiercony.  
*Black E.P.D.M. profile with fixing holes.*

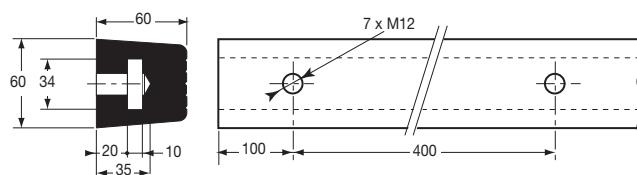
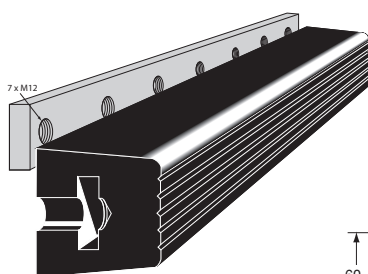
| Nr katalog.<br>Reference | Kg    | Długość<br>Length |
|--------------------------|-------|-------------------|
| 3950313RS                | 11,75 | 2600              |



Listwa mocująca (wkładka), stal ocynkowana, dla 3950313RS.

*Zinc plated steel fixation bar, for 3950313RS.*

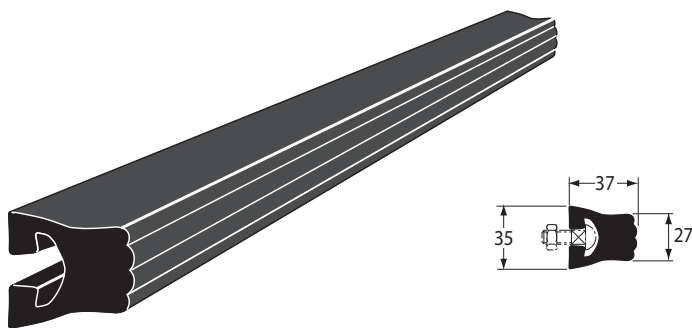
| Nr katalog.<br>Reference | Kg   | Długość<br>Length |
|--------------------------|------|-------------------|
| 3950313BS                | 4,86 | 2580              |



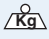
Profil E.P.D.M. z listwą mocującą (wkładką).  
*E.P.D.M. profile with fixation bar.*

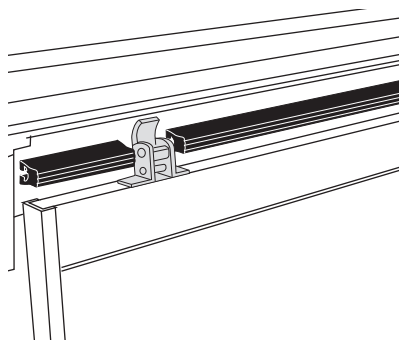
| Nr katalog.<br>Reference | Kg    |
|--------------------------|-------|
| 3950313                  | 16,61 |

**TYLNY I BOCZNY - REAR AND SIDE**

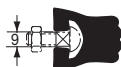


Profil, polietylen o dużej gęstości, czarny.  
*Black high density polyethylene profile.*


| Nr katalog.<br><i>Reference</i> |  <i>Kg</i> | Długość<br><i>Length</i> |
|---------------------------------|---|--------------------------|
| 3950269                         | 2,250   | 3200                     |



Należy używać tylko śrub TRCC DIN 603.  
*Use only screws TRCC DIN 603.*



Śruba M8 x 25, stal cynkowana.  
*M8 x 25 bolt, zinc plated steel.*

| Nr katalog.<br><i>Reference</i> |  <i>Kg</i> |
|---------------------------------|---|
| 5501108FH                       | 0,02  |

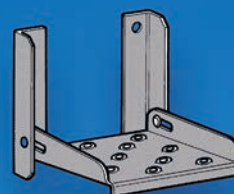


# DOSTĘP

Drabinki, drabiny, stopnie

# ACCESS

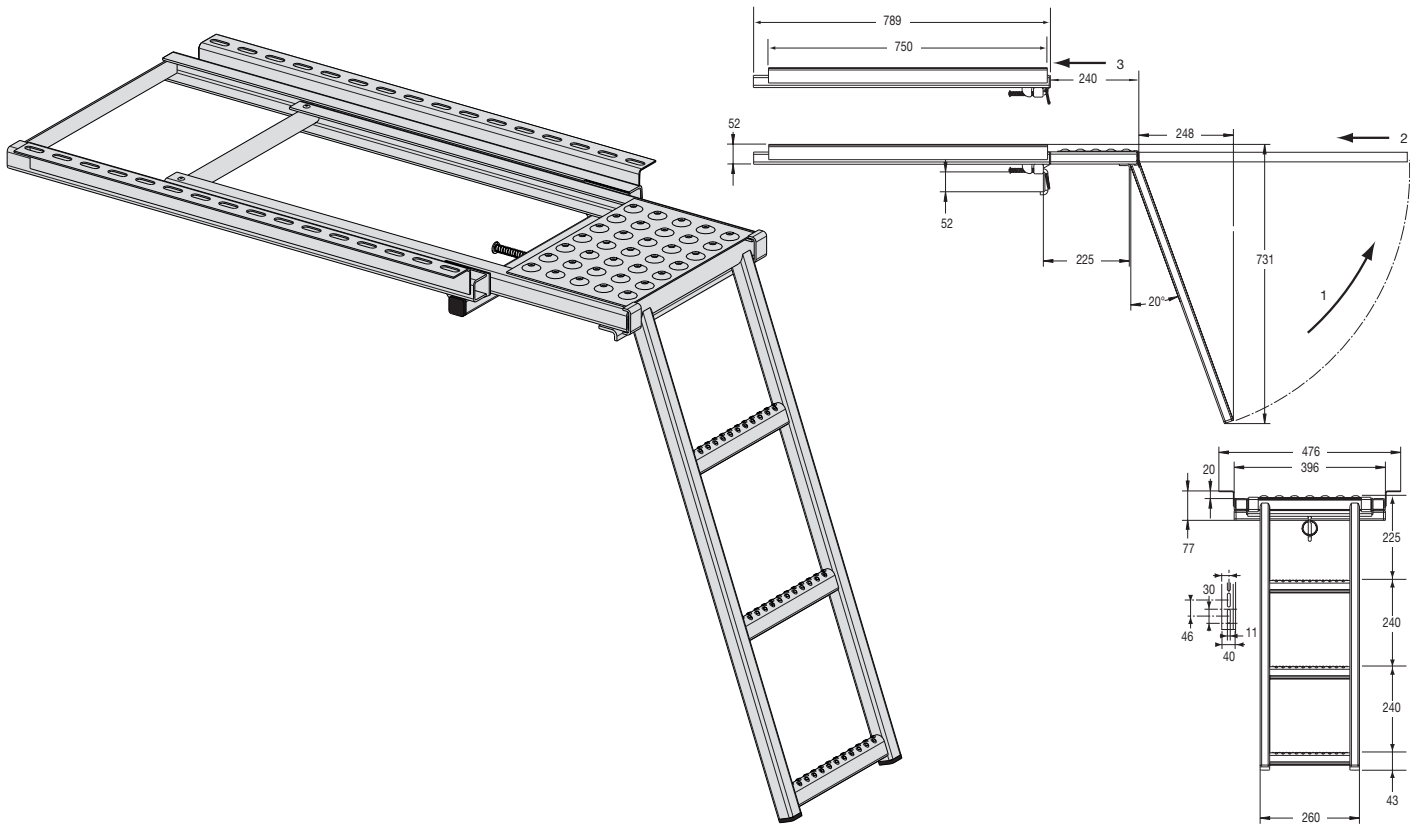
*Folding steps, ladders, platform steps*



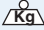


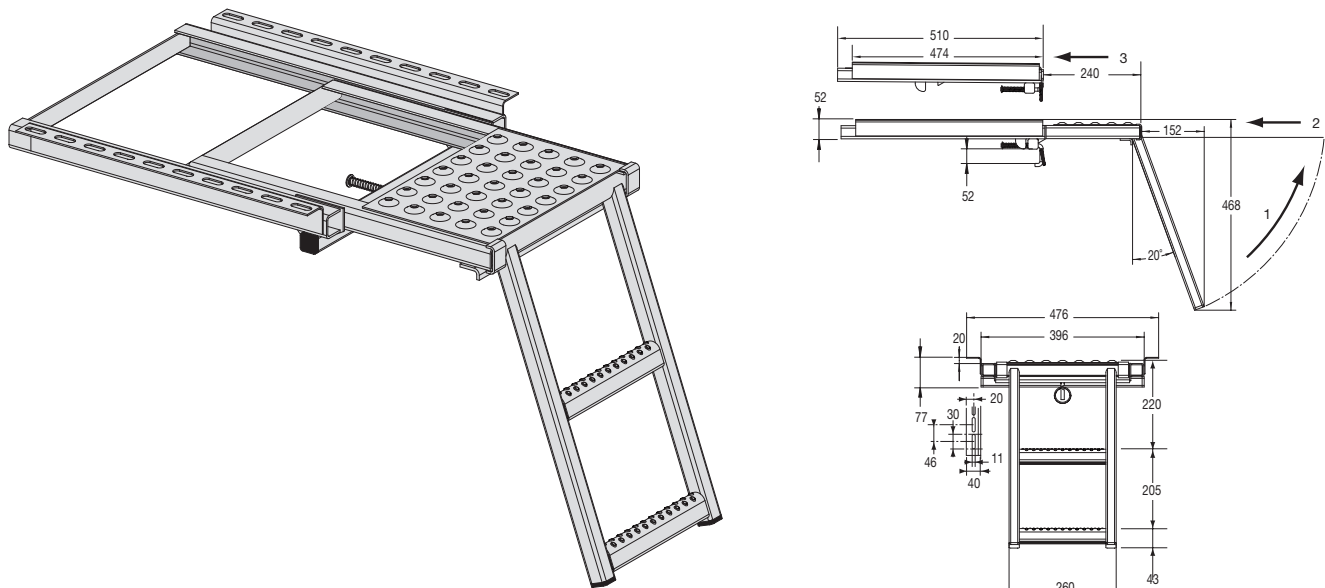


**DRABINKI - PULLOUT LADDER**

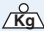


Drabinka składana z wysuwającym pomostem i blokadą w pozycji złożonej, 4 stopnie, stal galwanizowana.  
Galvanised steel 4 folding step with platform, can be locked in folded position.

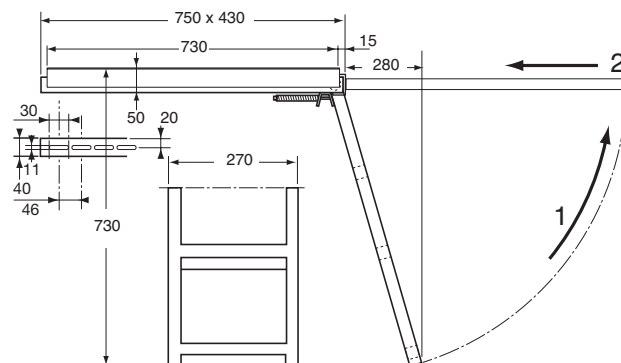
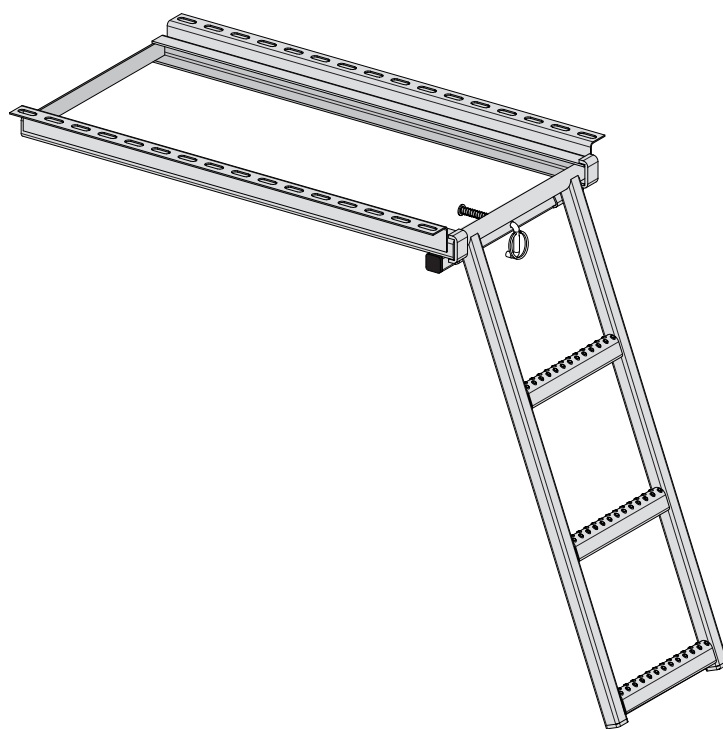
| Nr katalog.<br>Reference |  Kg |
|--------------------------|--|
| 3943958                  | 13,50  |



Drabinka składana z wysuwającym pomostem i blokadą w pozycji złożonej, 3 stopnie, stal galwanizowana.  
Galvanised steel 3 folding steps with platform, can be locked in folded position.


| Nr katalog.<br>Reference |  Kg |
|--------------------------|--|
| 3943957                  | 8,40   |

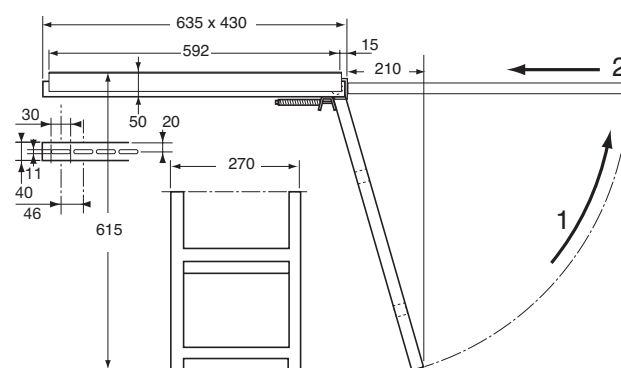
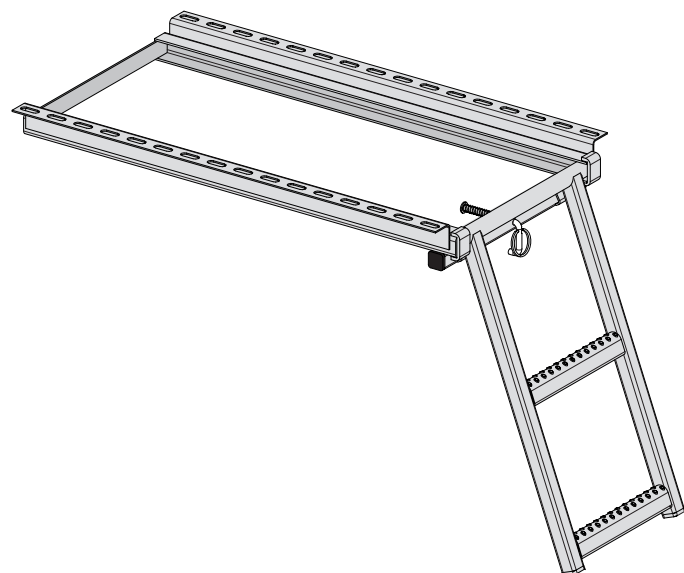
DRABINKI - PULLOUT LADDER




8

Drabinka składana, 3 stopnie, stal galwanizowana, blokowana zatrzaskiem po złożeniu.  
Galvanised steel folding step, 3 steps, can be locked in folded position with bolt.

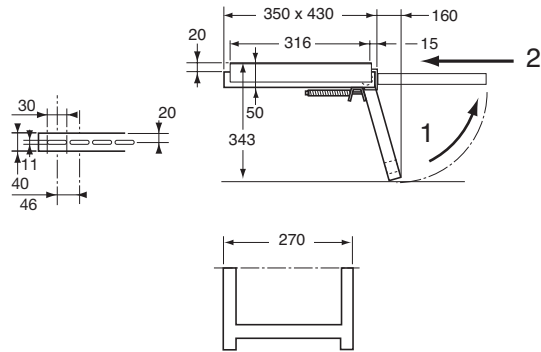
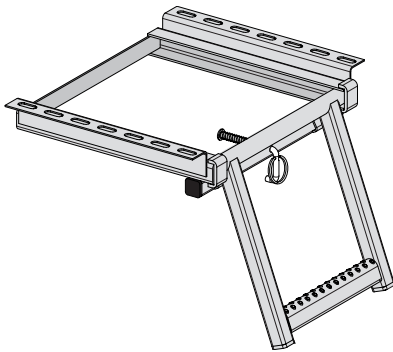
| Nr katalog.<br>Reference |  Kg |
|--------------------------|--|
| 3943956                  | 7  |



Drabinka składana, 2 stopnie, stal galwanizowana, blokowana zatrzaskiem po złożeniu.  
Galvanised steel folding step, 2 steps, can be locked in folded position with bolt.

| Nr katalog.<br>Reference |  Kg |
|--------------------------|--|
| 3943955                  | 5,20   |

**DRABINKI - PULLOUT LADDER**



Drabinka składana, 1 stopień, stal galwanizowana, blokowana zatrzaskiem po złożeniu.  
Galvanised steel folding step, 1 step, can be locked in folded position with bolt.

8

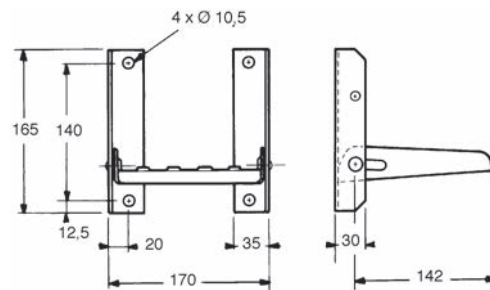
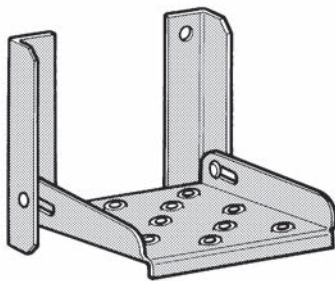
Nr katalog.  
Reference



3943948

4,90

**STOPNIE - FOLDING STEPS**



Stopień wąski, stal cynkowa.  
Galvanized steel small folding step.

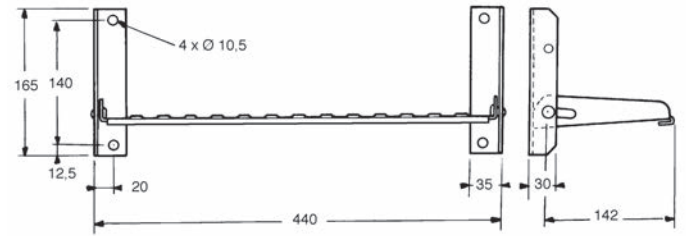
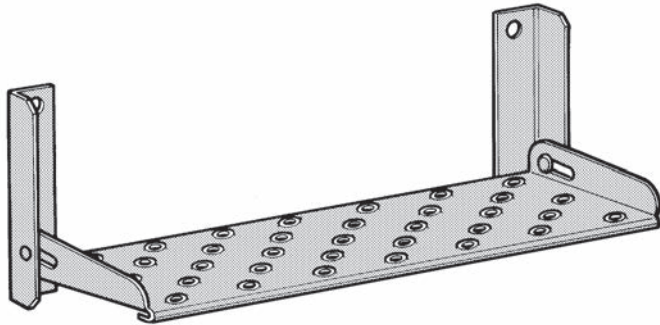
Nr katalog.  
Reference



3943951GA

1,130

**STOPNIE - FOLDING STEPS**



**8** Stopień szeroki, stal cynkowana.  
*Zinc plated steel large folding step.*

Nr katalog.  
Reference



3943952

2,200

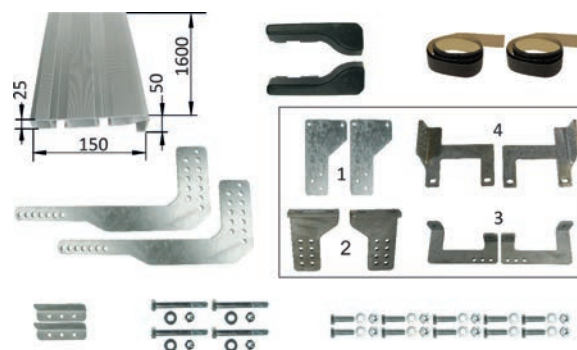
**STOPNIE - REAR STEPS**

**8**

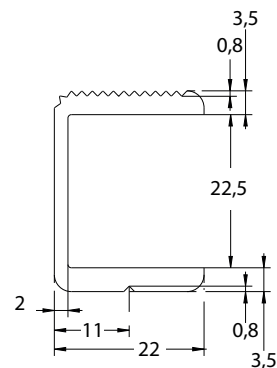
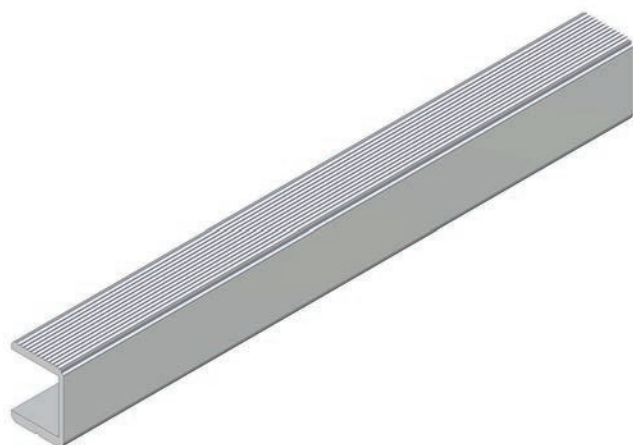
Kit stopien EASY STEP.  
Kit rear step EASY STEP.



| Nr katalog.<br>Reference | KG | Typ<br>Type | Dla<br>For                 | Zakończyć<br>Finish                       |
|--------------------------|----|-------------|----------------------------|---|
| 3943ES1A                 | 13 | 1           | SPRINTER<br>CRAFTER        | Aluminium anodowane<br>Anodized aluminium |
| 3943ES2A                 | 13 | 2           | NEW DAILY<br>TRANSIT       | Aluminium anodowane<br>Anodized aluminium |
| 3943ES3A                 | 13 | 3           | MASTER<br>MOVANO<br>NV 400 | Aluminium anodowane<br>Anodized aluminium |
| 3943ES4A                 | 13 | 4           | DUCATO<br>JUMPER<br>BOXER  | Aluminium anodowane<br>Anodized aluminium |



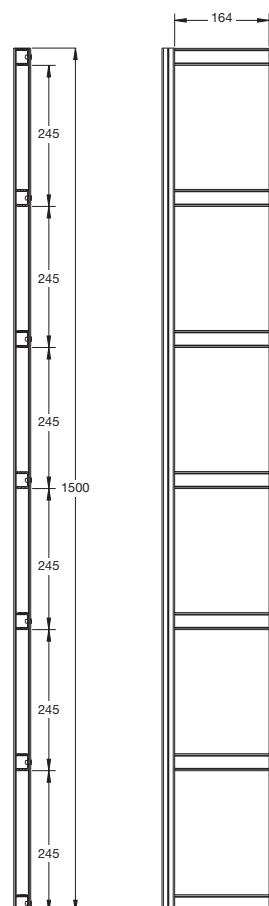
DRABINY - LADDERS



8

Profil antypoślizgowy drabiny, aluminium anodowane dł. 3080 mm.  
*Antislip anodised aluminium profile for access ladder, 3080 mm length.*

| Nr katalog.<br>Reference |  Kg | Długość<br>Length |
|--------------------------|--|-------------------|
| 3744656                  | 1,54   | 3080              |



Drabina aluminium anodowane H-1,5 m . Profil stopnia antypoślizgowy. Dostawa bez wsporników montażowych.  
*Anodised aluminium access ladder 1500 mm height. Antislip profile. Delivered without fixing brackets.*

| Nr katalog.<br>Reference |  Kg | Wysokość<br>Height |
|--------------------------|--|--------------------|
| 3744650                  | 2,15   | 1500               |







## **DRZWI I AKCESORIA**

Drzwi tylne, drzwi boczne, płyty, aluminium, ustalacze położenia drzwi, inne

## ***DOORS AND ACCESSORIES***

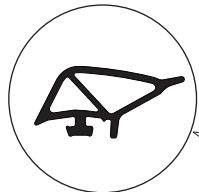
*Back doors, side doors, panel, aluminum, door retainers, others*





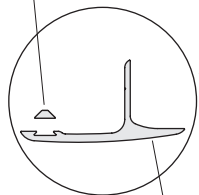
**WYPEŁNIENIE DRZWI PŁYTA - *PANEL FILLING***

EN  
12642  
XL

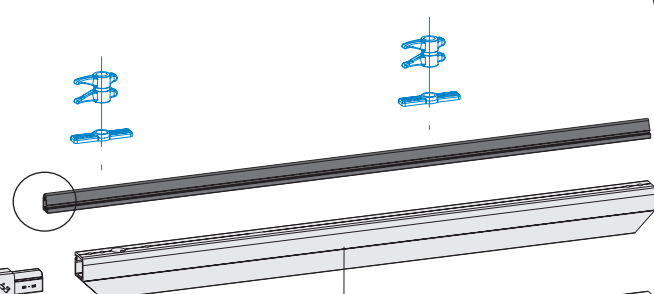
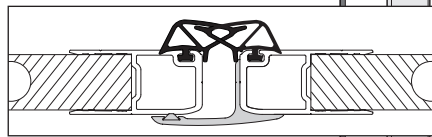


1232568  
1232568CO

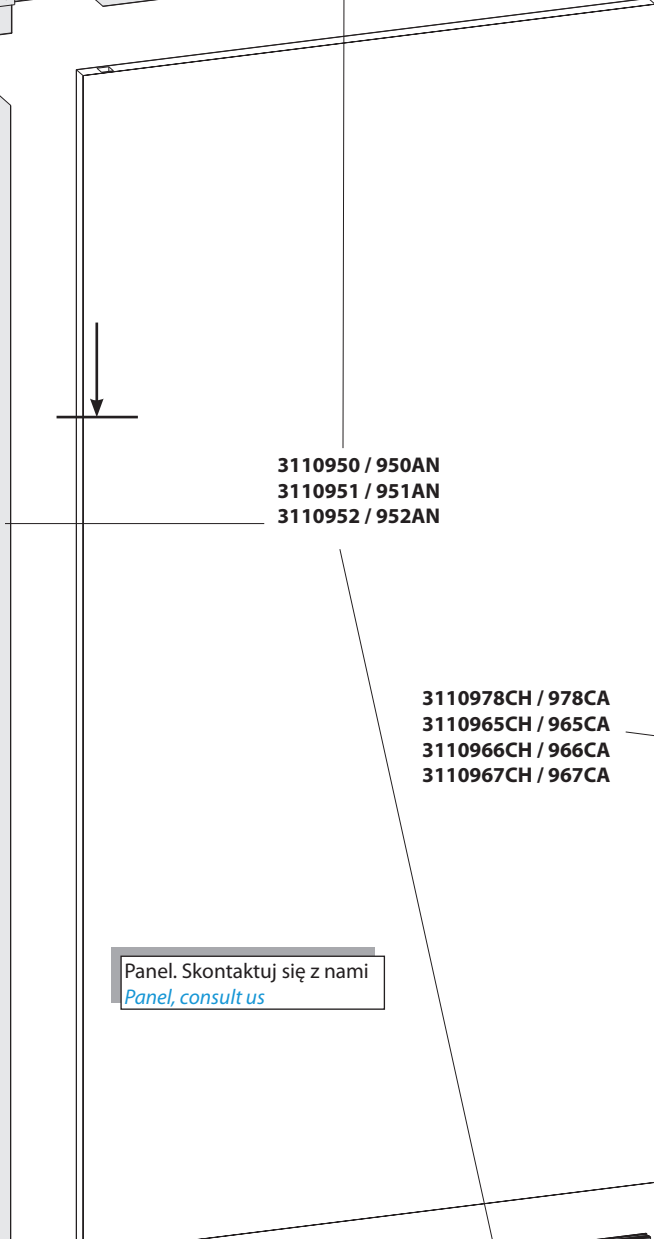
1232566  
1232566CO



3110969 / 969AN  
3110970 / 970AN



1232569  
1232569CO



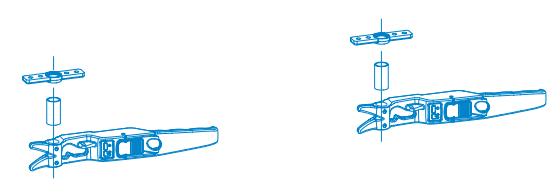
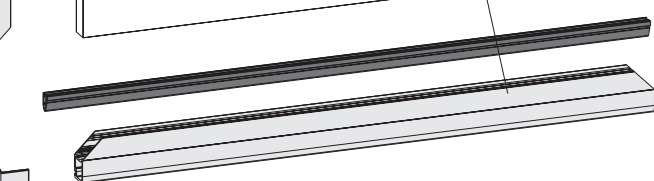
3110950 / 950AN  
3110951 / 951AN  
3110952 / 952AN

3110978CH / 978CA  
3110965CH / 965CA  
3110966CH / 966CA  
3110967CH / 967CA

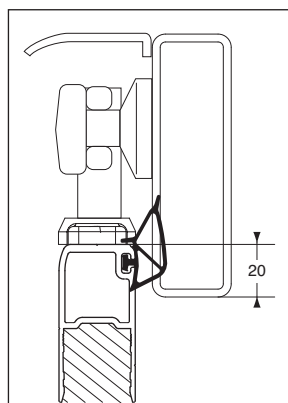
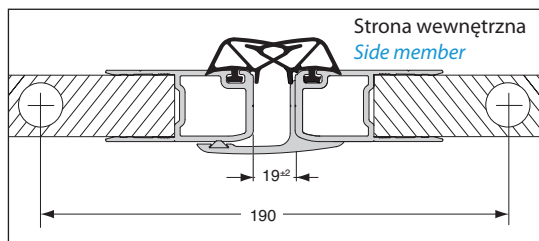
Panel. Skontaktuj się z nami  
*Panel, consult us*



3110964

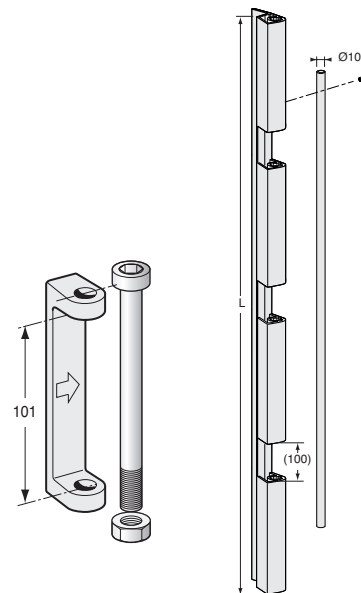
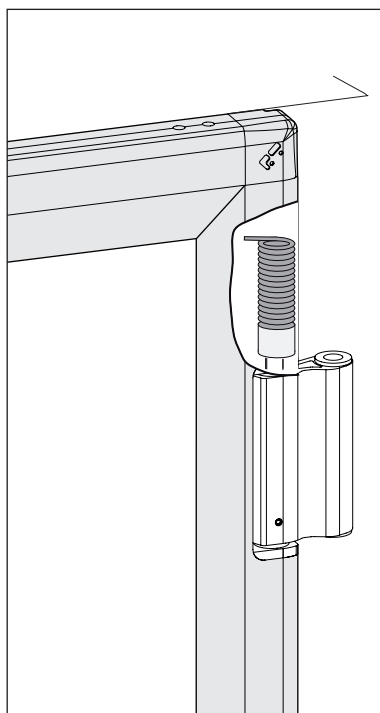


WYPEŁNIENIE DRZWI PŁYTA - **KITS FOR DOOR PANEL FILLING**

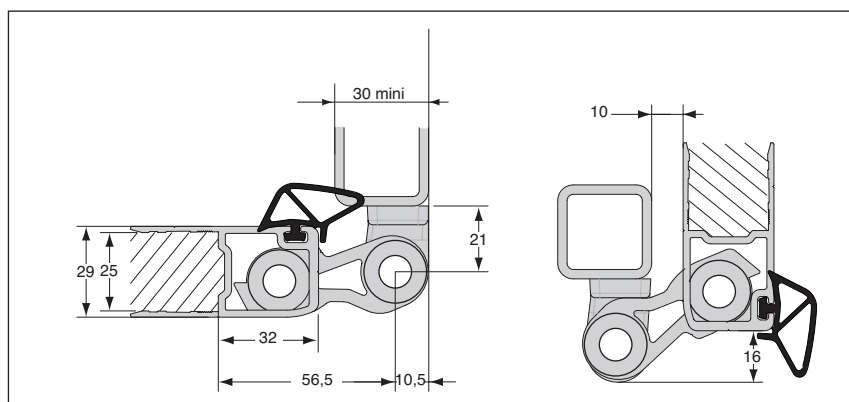


Sprężyna umieszczona w profilu zawiasu zapewnia prawidłową kolejność zamykania i otwierania osi zawiasu, aby uniknąć uszkodzenia uszczelki.

*The spring positioned in the hinge section gives rotation priority to the post-side pin so as to avoid any damage to the door seal when opening and closing.*



Sposób montowania zawiasu na słupie, patrz str.  
*To fasten the hinge on the post, see next page*

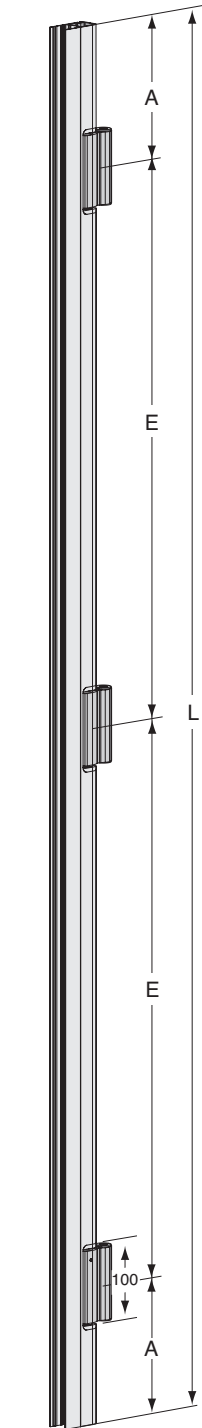


| Nr katal. zestawu, grubość 25 mm<br><i>Kit reference, 25 mm thickness</i>  | Skład zestawu<br><i>Composition</i>  |
|--|--|
| <b>3110979BR</b> $\triangleleft$ $\frac{Kg}{\Delta}$ 25,500<br>Aluminium surowe, drzwi płaskie bez występu 2,24 m<br><i>Self colour flush door system, 2,24 m height</i> | <b>3110978CH</b><br><b>3110950</b><br><b>3110951</b><br><b>3110969</b><br><b>1232568</b><br><b>1232569</b><br><b>1232566</b><br><b>31109644</b>      |
| <b>3110979AN</b><br>Jak wyżej, anodowana<br><i>Same anodized</i>   | <b>3110978CA</b><br><b>3110950AN</b><br><b>3110951AN</b><br><b>3110969AN</b><br><b>1232568</b><br><b>1232569</b><br><b>1232566</b><br><b>3110964</b> |

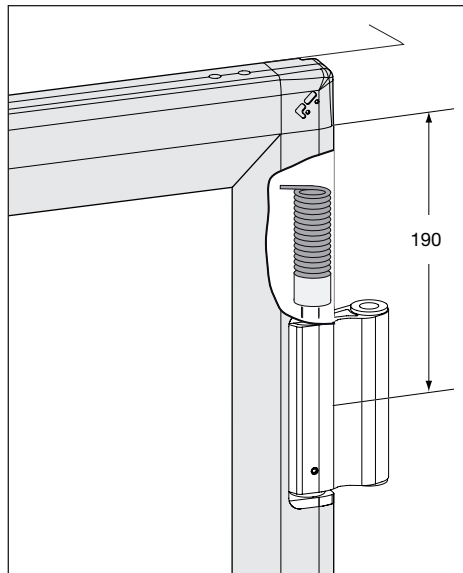
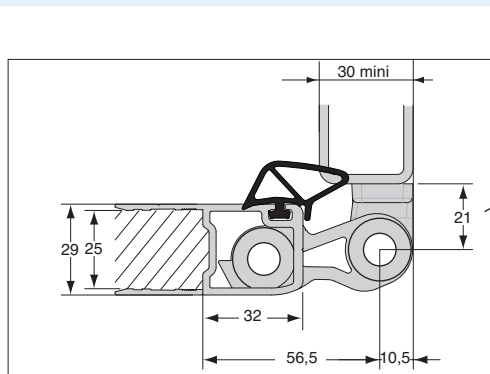
Zestaw drzwi bez zamknięć, bez wsporników, do zamocowania w ościeżnicy.  
*Kits for doors without locking gear and bracket to be fastened to the post.*

| Nr katal. zestawu, grubość 25 mm<br><i>Kit reference, 25 mm thickness</i>  | Skład zestawu<br><i>Composition</i>  | Nr katal. zestawu, grubość 25 mm<br><i>Kit reference, 25 mm thickness</i>  | Skład zestawu<br><i>Composition</i>  | Nr katal. zestawu, grubość 25 mm<br><i>Kit reference, 25 mm thickness</i>  | Skład zestawu<br><i>Composition</i>  |
|--|--|--|--|--|--|
| <b>3110965BR</b> $\triangleleft$ $\frac{Kg}{\Delta}$ 26,500<br>Aluminium surowe, drzwi płaskie bez występu 2,60 m<br><i>Self colour flush door system, 2,60 m height</i> | <b>3110965CH</b><br><b>3110950</b><br><b>3110951</b><br><b>3110969</b><br><b>1232568</b><br><b>1232569</b><br><b>1232566</b><br><b>31109644</b>      | <b>3110966BR</b> $\triangleleft$ $\frac{Kg}{\Delta}$ 27,500<br>Aluminium surowe, drzwi płaskie bez występu 2,80 m.<br><i>Self colour flush door system, 2,80 m height.</i> | <b>3110966CH</b><br><b>3110950</b><br><b>3110951</b><br><b>3110969</b><br><b>1232568</b><br><b>1232569</b><br><b>1232566</b><br><b>3110964</b>       | <b>3110967BR</b> $\triangleleft$ $\frac{Kg}{\Delta}$ 29,500<br>Aluminium surowe, drzwi płaskie bez występu 3,20 m<br><i>Self colour flush door system, 3,20 m height</i> | <b>3110967CH</b><br><b>3110950</b><br><b>3110952</b><br><b>3110970</b><br><b>1232568</b><br><b>1232569</b><br><b>1232566</b><br><b>3110964</b>       |
| <b>3110965AN</b><br>Jak wyżej, anodowana<br><i>Same anodized</i>   | <b>3110965CA</b><br><b>3110950AN</b><br><b>3110951AN</b><br><b>3110969AN</b><br><b>1232568</b><br><b>1232569</b><br><b>1232566</b><br><b>3110964</b> | <b>3110966AN</b><br>Jak wyżej, anodowana<br><i>Same anodized</i>   | <b>3110966CA</b><br><b>3110950AN</b><br><b>3110951AN</b><br><b>3110969AN</b><br><b>1232568</b><br><b>1232569</b><br><b>1232566</b><br><b>3110964</b> | <b>3110967AN</b><br>Jak wyżej, anodowana<br><i>Same anodized</i>   | <b>3110967CA</b><br><b>3110950AN</b><br><b>3110952AN</b><br><b>3110970AN</b><br><b>1232568</b><br><b>1232569</b><br><b>1232566</b><br><b>3110964</b> |

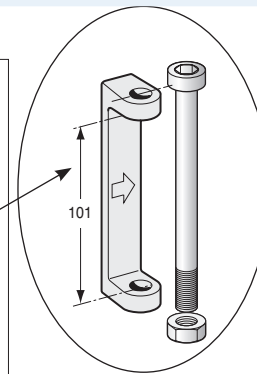
WYPEŁNIENIE DRZWI PŁYTA - **HINGES AND SUPPORTS**



Profil zawiasu o grubości 25 mm, aluminium surowe lub anodowane.  
*Self colour or anodized overhall aluminium hinge section, 25 mm thickness.*

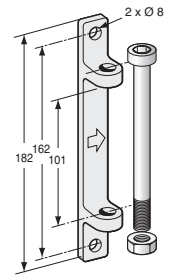


**WAŻNE:** należy zachować odległość minimum 190 mm od górnej i dolnej krawędzi zawiasu aby zabezpieczyć sprężyny  
*N.B.: a minimum distance of 190 mm after cutting must be kept at the top and at the bottom of the hinge in order to protect the springs.*



**3110732**  $\frac{Kg}{}$  0,350  
Wspornik zawiasu, stal surowa, ze śrubą i nakrętką.  
*Self colour steel weld-on bracket with locknut and pin.*

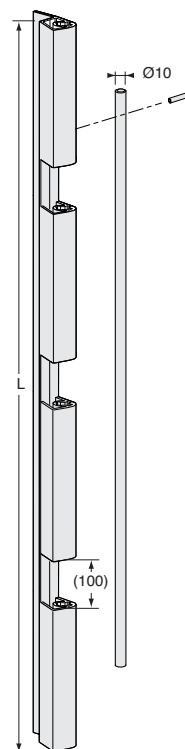
\* Strzałka skierowana na zewnątrz pojazdu  
*\* Arrow pointing towards the outside of the vehicle*



**3110731**  $\frac{Kg}{}$  0,320  
Wspornik zawiasu, stal cynkowa z pokryciem dacromet, ze śrubą i nakrętką.  
*Galvanized steel bolt-on bracket with locknut and pin.*

Należy przewidzieć 3 zestawy 3110731 lub 3110732 dla zawiasu 3110978CH / 3110965CH, 4 zestawy dla zawiasu 3110966CH / 3110967CH  
*Used 3 ref. 3110731 or 3110732 for hinge 3110978CH / 3110965CH, 4 ref. for hinge 3110966CH / 3110967CH.*

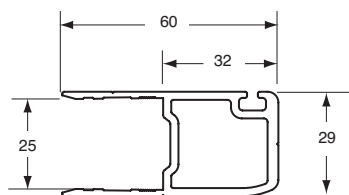
Wspornik zawiasu, stal cynkowa z pokryciem dacromet, ze śrubą i nakrętką.  
*Galvanized steel bolt-on bracket with locknut and pin.*



| Nr katal. zestawu, grubość 25 mm<br><i>Kit reference, 25 mm thickness</i>   | Skład zestawu<br><i>Composition</i>                                  |
|---|--|
| <b>3110978AN</b> $\frac{Kg}{}$ 5,520<br>Wspornik zawiasu kompletny, aluminium anodowane, wysokość 2244 mm<br><i>Anodized hinge bracket system, 2244 mm height</i><br><b>3110978SC</b><br>Jak wyżej, surowy<br><i>Same raw aluminium</i> | <b>3110978SA x 1</b><br><b>3110707AX x 1</b><br><b>2344466GO x 1</b> |
| <b>3110971AN</b> $\frac{Kg}{}$ 5,720<br>Wspornik zawiasu kompletny, aluminium anodowane, wysokość 2694 mm<br><i>Anodized hinge bracket system, 2694 mm height</i><br><b>3110971SC</b><br>Jak wyżej, surowy<br><i>Same raw aluminium</i> | <b>3110971SA x 1</b><br><b>3110962AX x 1</b><br><b>2344466GO x 1</b> |
| <b>3110972AN</b> $\frac{Kg}{}$ 5,900<br>Wspornik zawiasu kompletny, aluminium anodowane, wysokość 2829 mm<br><i>Anodized hinge bracket system, 2829 mm height</i><br><b>3110972SC</b><br>Jak wyżej, surowy<br><i>Same raw aluminium</i> | <b>3110972SA x 1</b><br><b>3110962AX x 1</b><br><b>2344466GO x 1</b> |
| <b>3110973AN</b> $\frac{Kg}{}$ 6,425<br>Wspornik zawiasu kompletny, aluminium anodowane, wysokość 3200 mm<br><i>Anodized hinge bracket system, 3200 mm height</i><br><b>3110973SC</b><br>Jak wyżej, surowy<br><i>Same raw aluminium</i> | <b>3110973SA x 1</b><br><b>3110962AX x 1</b><br><b>2344466GO x 1</b> |

|                                    | <b>3110978CH</b><br>al. surowy<br><i>Self colour</i> | <b>3110965CH</b><br>al. surowy<br><i>Self colour</i> | <b>3110966CH</b><br>al. surowy<br><i>Self colour</i> | <b>3110967CH</b><br>al. surowy<br><i>Self colour</i> |
|------------------------------------|--|--|--|--|
| (L mm)                             | 2180   | 2660   | 2795   | 3136   |
| Razstaw os- <i>Space</i><br>(E mm) | 2 x 635  | 2 x 900  | 3 x 750  | 3 x 795  |
| A (mm)                             | 455  | 430  | 272,5  | 375,5  |
| $\frac{Kg}{}$                      | 4,200  | 4,700  | 5,300  | 5,800  |
|                                    | <b>3110978CA</b><br>al. anodowane<br><i>Anodized</i> | <b>3110965CA</b><br>al. anodowane<br><i>Anodized</i> | <b>3110966CA</b><br>al. anodowane<br><i>Anodized</i> | <b>3110967CA</b><br>al. anodowane<br><i>Anodized</i> |

AKCESORIA - ACCESSORIES



Profil okadrowania, grubość 25 mm, aluminium surowe.  
*Frame profile 25 mm thickness, self colour aluminium.*

**3110950**  
**3110950AN** ← 2,340 m →

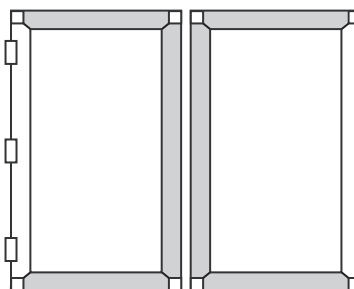
Jak wyżej, anodowany.  
*Same, anodized aluminium.*

**3110951**  
**3110951AN** ← 2,795 m →

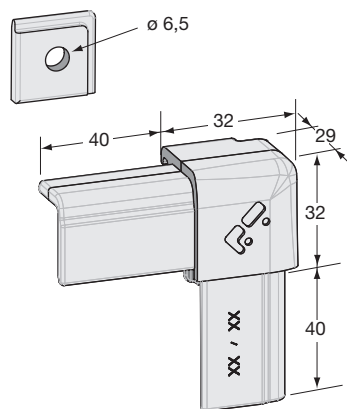
Jak wyżej, anodowany.  
*Same, anodized aluminium.*

**3110952**  
**3110952AN** ← 3,136 m →

Jak wyżej, anodowany.  
*Same, anodized aluminium.*



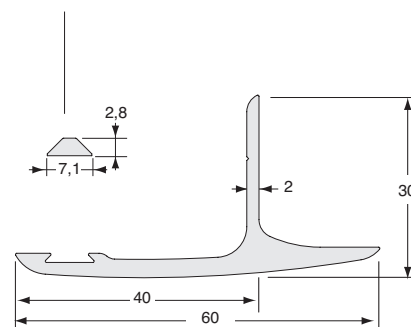
9



**3110964** 0,140  
Narożnik aluminium surowe (4 szt na drzwi).  
*Self colour Aluminium corner (4 parts by door).*

Profil PCV szary.  
*P.V.C profil, grey.*

**1232566** ← 3,40 m →  
**1232566CO** ← 30 m →



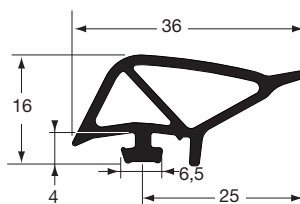
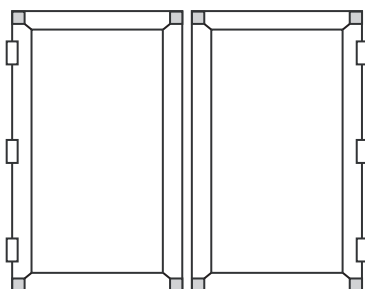
Profil czołowy, aluminium surowe.  
*Center strip profile, self colour aluminium.*

**3110969**  
**3110969 AN** ← 2,800 m →

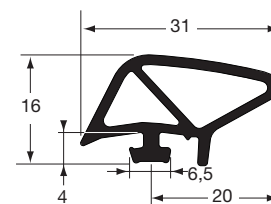
Jak wyżej, anodowany.  
*Same, anodized aluminium.*

**3110970**  
**3110970 AN** ← 3,200 m →

Jak wyżej, anodowany.  
*Same, anodized aluminium.*

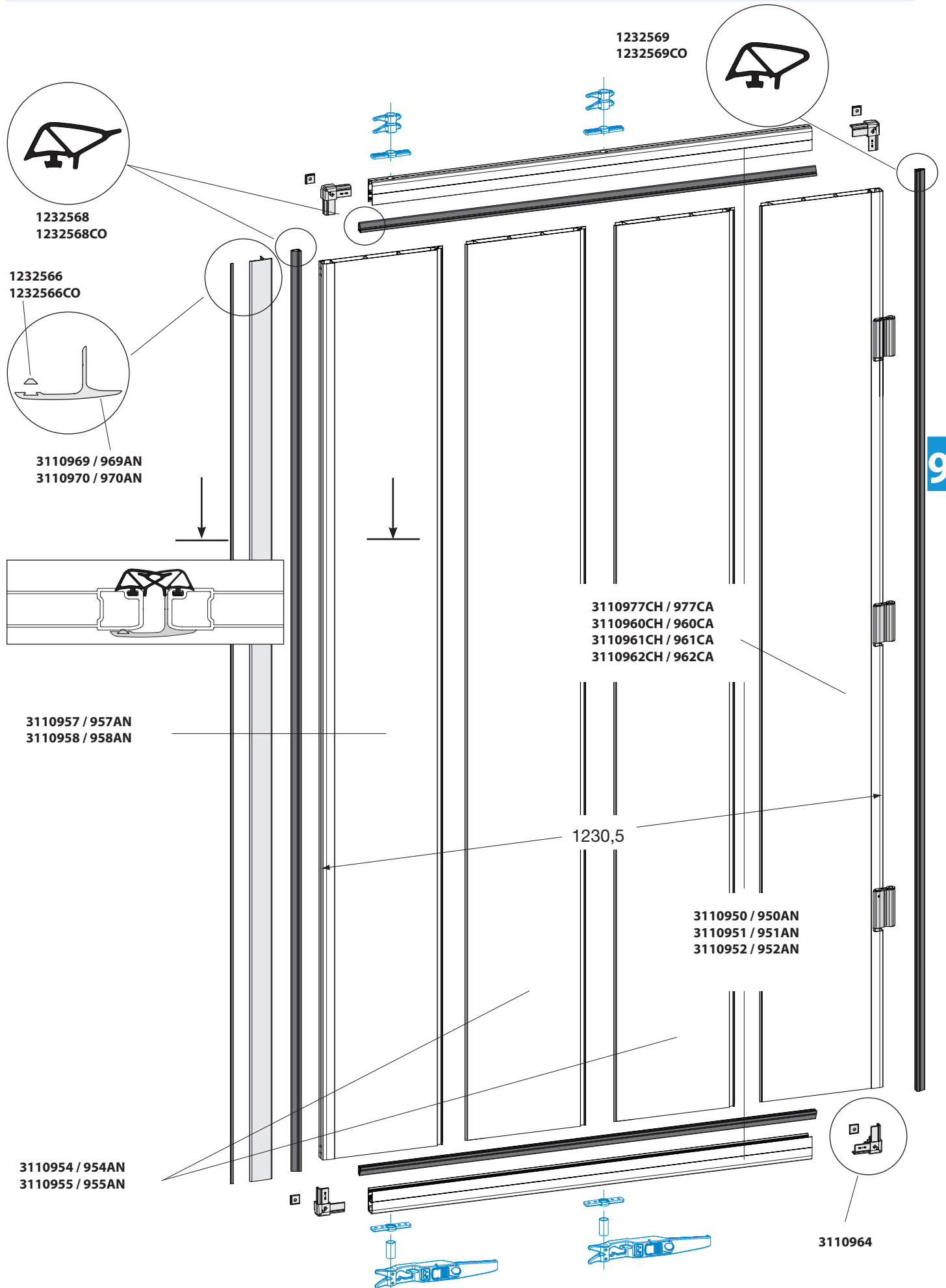


Uszczelka E.P.D.M. czarna.  
*Inner door seal, black E.P.D.M.*  
**1232568** ← 11,5 m →  
**1232568CO** ← 50 m →



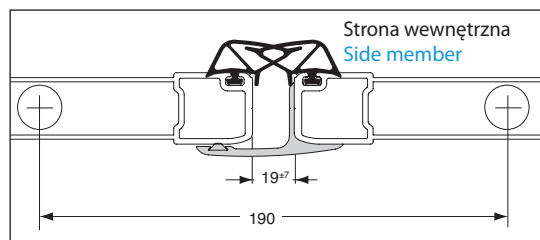
Uszczelka E.P.D.M. czarna.  
*Inner door seal, black E.P.D.M.*  
**1232569** ← 6,5 m →  
**1232569CO** ← 50 m →

**WYPEŁNIENIE PROFILE ALUMINIOWE - ALUMINIUM FILLING**

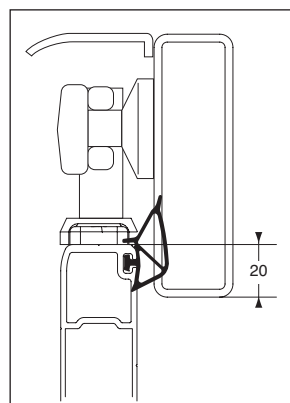


WYPEŁNIENIE PROFILE ALUMINIOWE - *KITS FOR DOOR ALUMINIUM FILLING*

Wypełnienie profile aluminiumem  
*Aluminium Filling*

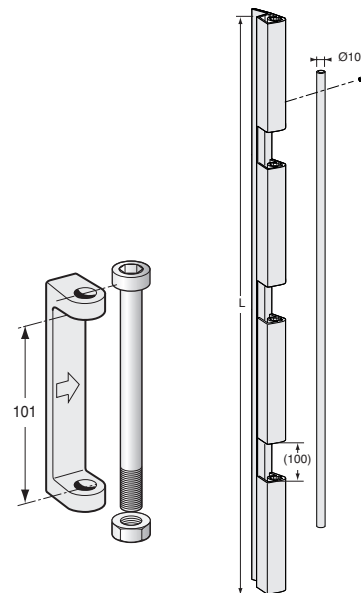
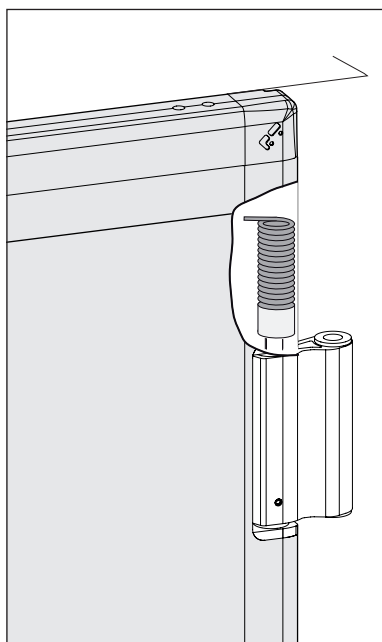


Strona wewnętrzna  
*Side member*



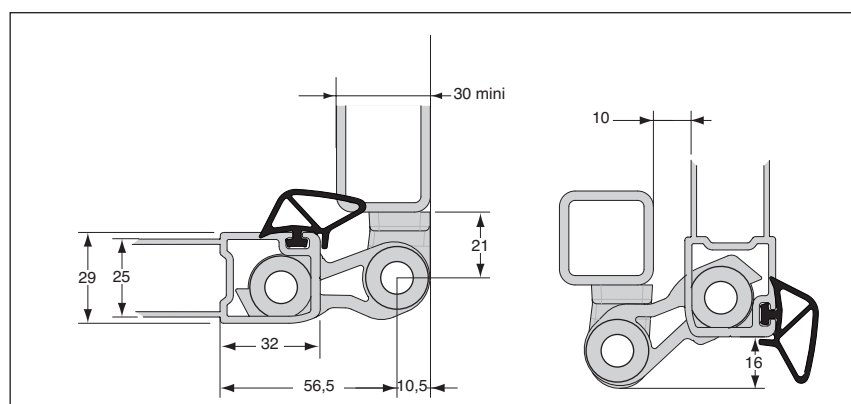
Sprężyna umieszczona w profilu zawiasu zapewnia prawidłową kolejność zamykania i otwierania osi zawiasu, aby uniknąć uszkodzenia uszczelki

*The spring positioned in the hinge section gives rotation priority to the post-side pin so as to avoid any damage to the door seal when opening and closing.*



Sposób montowania zawiasu na słupie, patrz następna strona.  
*To fasten the hinge on the post, see next page.*

9



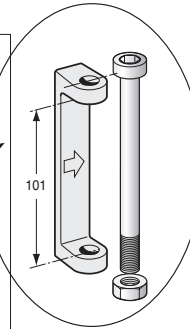
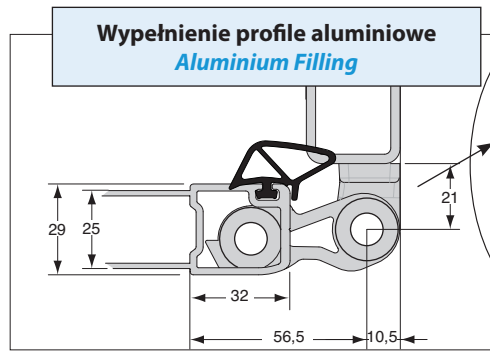
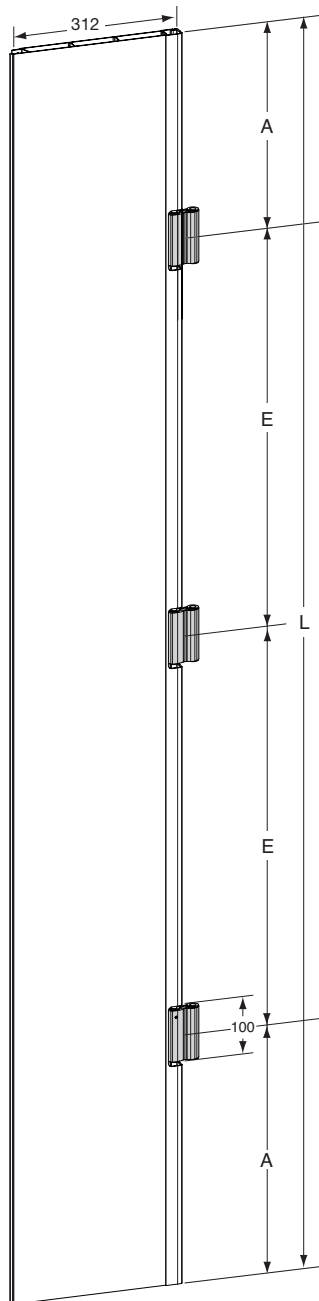
| Nr katal. zestawu, grubość 25 mm<br><i>Kit reference, 25 mm thickness</i>  | Skład zestawu<br><i>Composition</i>  |
|--|--|
| <b>3110977BR</b> 92,500<br>Aluminium surowe, drzwi płaskie bez występu 2,24 m.<br><i>Self colour flush door system, 2,24 m height.</i> | <b>3110977CH</b><br><b>3110950</b><br><b>3110954</b><br><b>3110957</b><br><b>3110969</b><br><b>1232566</b><br><b>1232568</b><br><b>1232569</b><br><b>3110964</b>         |
| <b>3110977AN</b><br>Jak wyżej, anodowana<br><i>Same anodized</i>   | <b>3110977CA</b><br><b>3110950AN</b><br><b>3110954AN</b><br><b>3110957AN</b><br><b>3110969AN</b><br><b>1232566</b><br><b>1232568</b><br><b>1232569</b><br><b>3110964</b> |

Zestaw drzwi bez występu, bez zamknięć, bez wsporników, do zamontowania w ościeżnicy.  
*Kits for doors without locking gear and bracket to be fastened to the post.*

| Nr katal. zestawu, grubość 25 mm<br><i>Kit reference, 25 mm thickness</i>  | Skład zestawu<br><i>Composition</i>  | Nr katal. zestawu, grubość 25 mm<br><i>Kit reference, 25 mm thickness</i>  | Skład zestawu<br><i>Composition</i>  | Nr katal. zestawu, grubość 25 mm<br><i>Kit reference, 25 mm thickness</i>   | Skład zestawu<br><i>Composition</i>  |
|--|--|--|--|---|--|
| <b>3110960BR</b> 95,500<br>Aluminium surowe, drzwi płaskie bez występu 2,60 m.<br><i>Self colour flush door system, 2,60 m height.</i> | <b>3110960CH</b><br><b>3110950</b><br><b>3110954</b><br><b>3110957</b><br><b>3110969</b><br><b>1232566</b><br><b>1232568</b><br><b>1232569</b><br><b>3110964</b>         | <b>3110961BR</b> 97,500<br>Aluminium surowe, drzwi płaskie bez występu 2,80 m.<br><i>Self colour flush door system, 2,80 m height.</i> | <b>3110961CH</b><br><b>3110950</b><br><b>3110954</b><br><b>3110957</b><br><b>3110969</b><br><b>1232566</b><br><b>1232568</b><br><b>1232569</b><br><b>3110964</b>         | <b>3110962BR</b> 112,500<br>Aluminium surowe, drzwi płaskie bez występu 3,20 m.<br><i>Self colour flush door system, 3,20 m height.</i> | <b>3110962CH</b><br><b>3110950</b><br><b>3110955</b><br><b>3110958</b><br><b>3110970</b><br><b>1232566</b><br><b>1232568</b><br><b>1232569</b><br><b>3110964</b>         |
| <b>3110960AN</b><br>Jak wyżej, anodowana<br><i>Same anodized</i>   | <b>3110960CA</b><br><b>3110950AN</b><br><b>3110954AN</b><br><b>3110957AN</b><br><b>3110969AN</b><br><b>1232566</b><br><b>1232568</b><br><b>1232569</b><br><b>3110964</b> | <b>3110961AN</b><br>Jak wyżej, anodowana<br><i>Same anodized</i>   | <b>3110961CA</b><br><b>3110950AN</b><br><b>3110954AN</b><br><b>3110957AN</b><br><b>3110969AN</b><br><b>1232566</b><br><b>1232568</b><br><b>1232569</b><br><b>3110964</b> | <b>3110962AN</b><br>Jak wyżej, anodowana<br><i>Same anodized</i>  | <b>3110962CA</b><br><b>3110950AN</b><br><b>3110955AN</b><br><b>3110958AN</b><br><b>3110970AN</b><br><b>1232566</b><br><b>1232568</b><br><b>1232569</b><br><b>3110964</b> |

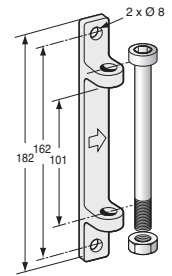
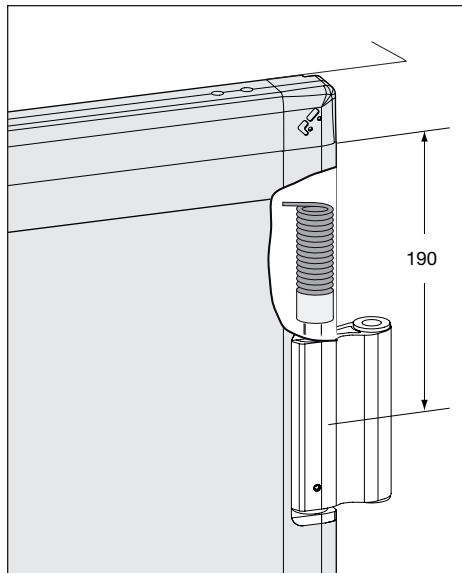


WYPEŁNIENIE PROFILE ALUMINIOWE - *KITS FOR DOOR ALUMINIUM FILLING*



**3110732**  $\frac{Kg}{}$  0,350  
Wspornik zawiasu, stal surowa, ze śrubą i nakrętką.  
*Self colour steel weld-on bracket with locknut and pin.*

\* Strzałka skierowana na zewnątrz pojazdu  
\* Arrow pointing towards the outside of the vehicle



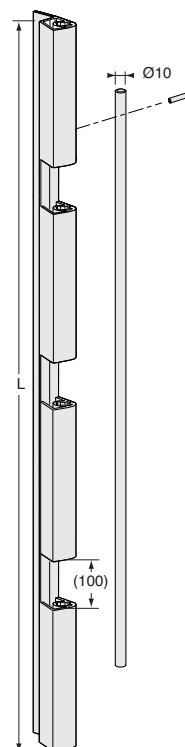
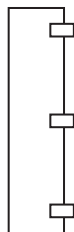
**3110731**  $\frac{Kg}{}$  0,320  
Wspornik zawiasu, stal cynkowa z pokryciem dacromet, ze śrubą i nakrętką.  
*Galvanized steel bolt-on bracket with locknut and pin.*

Należy przewidzieć 3 zestawy 3110731 lub 3110732 dla zawiasu 3110978CH / 3110965CH, 4 zestawy dla zawiasu 3110966CH / 3110967CH.  
*Used 3 ref. 3110731 or 3110732 for hinge 3110978CH / 3110965CH, 4 ref. for hinge 3110966CH / 3110967CH.*

Profil zawiasowy ze sworzniem i nakrętką.  
*Hinge profile with rod and pin.*

**WAŻNE:** należy zachować odległość minimum 190 mm od górnej i dolnej krawędzi zawiasu aby zabezpieczyć sprężyny.  
*N.B.: a minimum distance of 190 mm after cutting must be kept at the top and at the bottom of the hinge in order to protect the springs.*

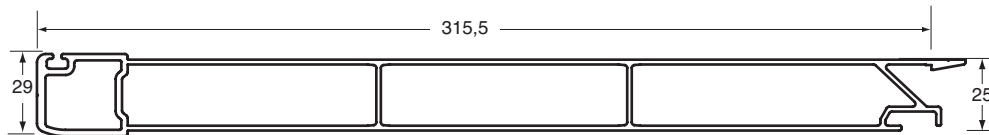
Profil zawiasowy o grubości 25 mm, aluminium surowe lub anodowane.  
*Self colour or anodized overhall aluminium hinge section, 25 mm thickness.*



| Nr katal. zestawu, grubość 25 mm<br><i>Kit reference, 25 mm thickness</i>   | Skład zestawu<br><i>Composition</i>                                  |
|---|--|
| <b>3110978AN</b> $\frac{Kg}{}$ 5,520<br>Wspornik zawiasu kompletny, aluminium anodowane, wysokość 2244 mm<br><i>Anodized hinge bracket system, 2244 mm height</i> | <b>3110978SA x 1</b><br><b>3110707AX x 1</b><br><b>2344466GO x 1</b> |
| <b>3110978SC</b><br>Jak wyżej, surowy<br><i>Same raw aluminium</i>  |  |
| <b>3110971AN</b> $\frac{Kg}{}$ 5,720<br>Wspornik zawiasu kompletny, aluminium anodowane, wysokość 2694 mm<br><i>Anodized hinge bracket system, 2694 mm height</i> | <b>3110971SA x 1</b><br><b>3110962AX x 1</b><br><b>2344466GO x 1</b> |
| <b>3110971SC</b><br>Jak wyżej, surowy<br><i>Same raw aluminium</i>  |  |
| <b>3110972AN</b> $\frac{Kg}{}$ 5,900<br>Wspornik zawiasu kompletny, aluminium anodowane, wysokość 2829 mm<br><i>Anodized hinge bracket system, 2829 mm height</i> | <b>3110972SA x 1</b><br><b>3110962AX x 1</b><br><b>2344466GO x 1</b> |
| <b>3110972SC</b><br>Jak wyżej, surowy<br><i>Same raw aluminium</i>  |  |
| <b>3110973AN</b> $\frac{Kg}{}$ 6,425<br>Wspornik zawiasu kompletny, aluminium anodowane, wysokość 3200 mm<br><i>Anodized hinge bracket system, 3200 mm height</i> | <b>3110973SA x 1</b><br><b>3110962AX x 1</b><br><b>2344466GO x 1</b> |
| <b>3110973SC</b><br>Jak wyżej, surowy<br><i>Same raw aluminium</i>  |  |

|                            | <b>3110977CH</b><br>al. surowy<br><i>Self colour</i> | <b>3110960CH</b><br>al. surowy<br><i>Self colour</i> | <b>3110961CH</b><br>al. surowy<br><i>Self colour</i> | <b>3110962CH</b><br>al. surowy<br><i>Self colour</i> |
|----------------------------|--|--|--|--|
| (L mm)                     | 2180   | 2630   | 2765   | 3136   |
| Razstaw os-Space<br>(E mm) | 2 x 635  | 2 x 900  | 3 x 750  | 3 x 795  |
| A (mm)                     | 455  | 415  | 257,5  | 375,5  |
| $\frac{Kg}{}$              | 9,500  | 11,000   | 12,000   | 15,000   |
|                            | <b>3110977CA</b><br>al. anodowane<br><i>Anodized</i> | <b>3110960CA</b><br>al. anodowane<br><i>Anodized</i> | <b>3110961CA</b><br>al. anodowane<br><i>Anodized</i> | <b>3110962CA</b><br>al. anodowane<br><i>Anodized</i> |

**AKCESORIA - ACCESSORIES**



**3110957**

Profil centralny aluminium surowe.  
*Central frame profile, self colour aluminium.*

**3110957AN**

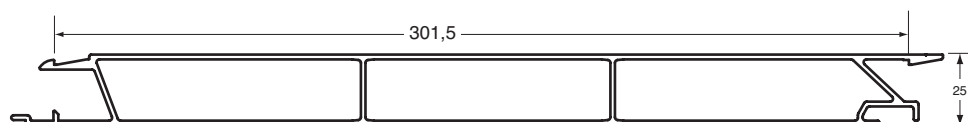
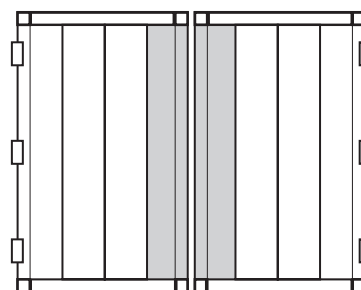
Jak wyżej, anodowany.  
*Same, anodized aluminium.*

← 2,765 m →

**3110958**

**3110958AN**  
Jak wyżej, anodowany  
*Same, anodized aluminium.*

← 3,136 m →



**3110954**

Profil wypełnienia aluminium surowe.  
*Filling profile, self colour aluminium..*

**3110954AN**

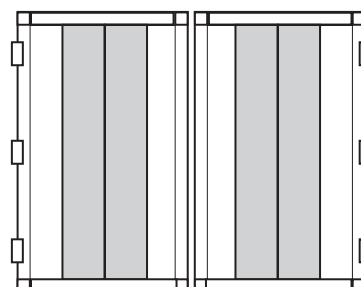
Jak wyżej, anodowany.  
*Same, anodized aluminium.*

← 2,760 m →

**3110955**

**3110955AN**  
Jak wyżej, anodowany.  
*Same, anodized aluminium.*

← 3,131 m →



9

Profil PCV szary

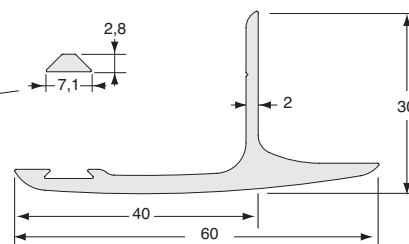
*P.V.C profil, grey*

**1232566**

**1232566CO**

← 3,40 m →

← 30 m →



Profil centralny aluminium surowe.

*Center strip profile, self colour aluminium.*

**3110969**

**3110969 AN**

Jak wyżej, anodowany.

*Same, anodized aluminium.*

**3110970**

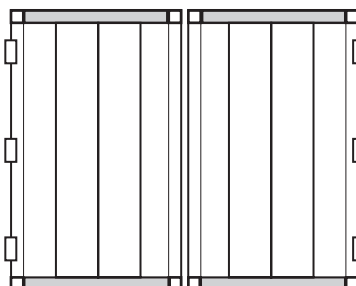
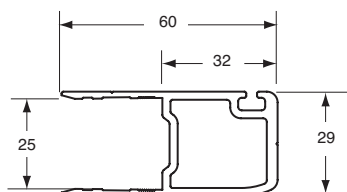
**3110970 AN**

Jak wyżej, anodowany.

*Same, anodized aluminium.*

← 2,800 m →

← 3,200 m →



Profil ramy drzwi gr. 25 mm aluminium surowe.

*Frame profile 25 mm thickness, self colour aluminium.*

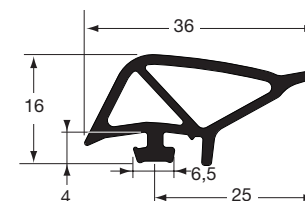
**3110950**

**3110950AN**

Jak wyżej, anodowany.

*Same, anodized aluminium.*

← 2,340 m →



Uszczelka E.P.D.M. czarna

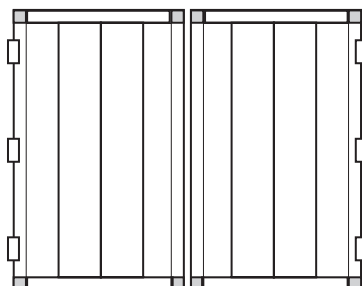
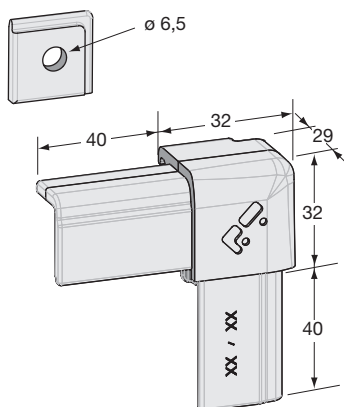
*Inner door seal, black E.P.D.M.*

**1232568**

**1232568CO**

← 11,5 m →

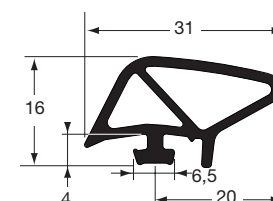
← 50 m →



**3110964**

$\frac{Kg}{0,140}$

Narożnik aluminium surowe (4 szt na drzwi).  
*Self colour Aluminium corner (4 parts by door).*



Uszczelka E.P.D.M. czarna.

*Inner door seal, black E.P.D.M.*

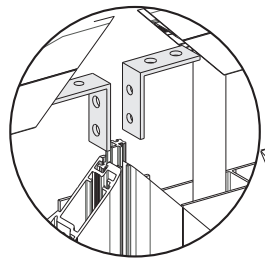
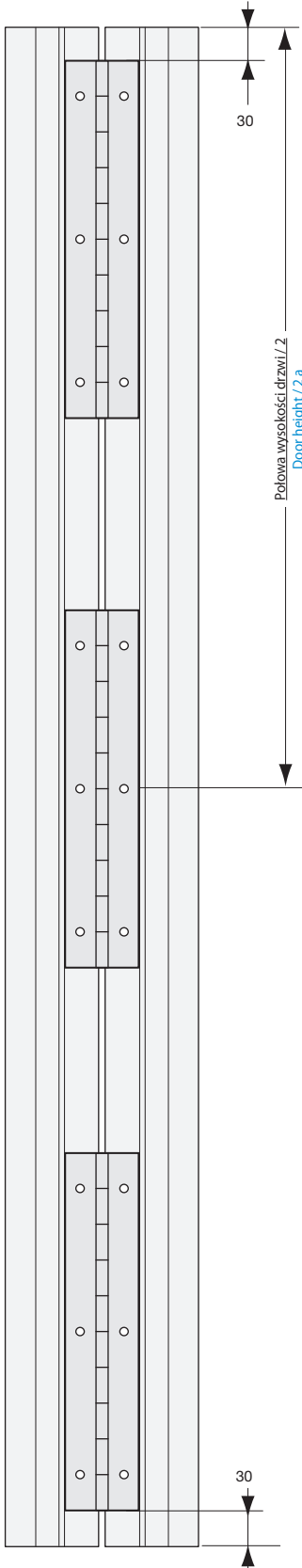
**1232569**

**1232569CO**

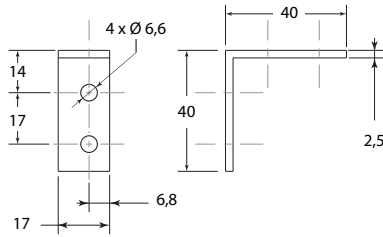
← 6,5 m →

← 50 m →

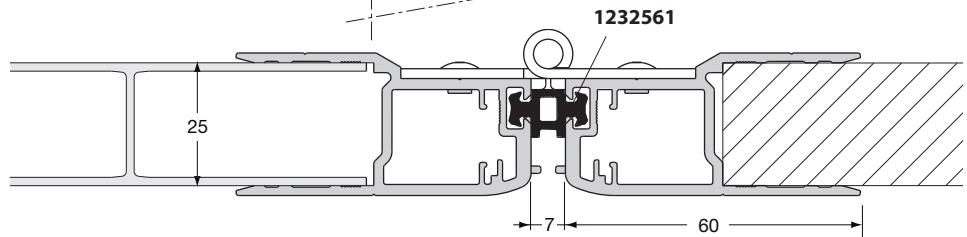
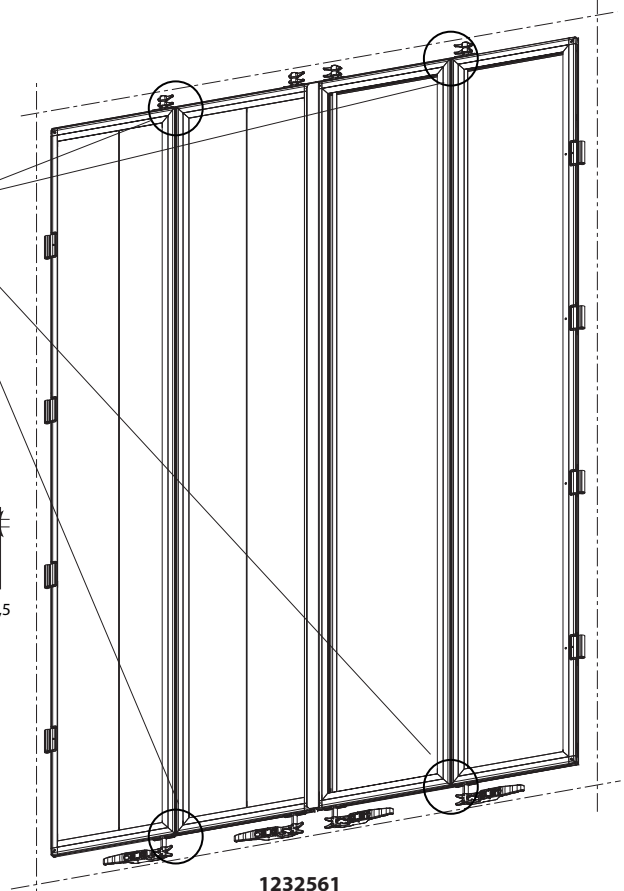
**ZAWIASY WIELOSKRZYDŁOWE - HINGE SECTION FOR QUARTER FLUSH DOOR**



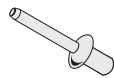
Uwaga. 8 wzmocnień.  
*Foresee 8 reinforcement.*



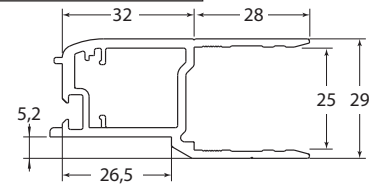
**3110976EQ**  $\frac{Kg}{}$  0,015  
 wzmocnienie wspornika  
*Reinforcement.*



| Nr katalogowy<br><i>Reference</i>  | Skład zestawu<br><i>Composition</i>                                 |
|--|---|
| <b>3110976KB</b><br>Zestaw części montażowych zawiasu BEZ USZCZELKI<br><i>Self colour hinge kit WITHOUT SEAL</i> | <b>3110976 x 2</b><br><b>2637136 x 3</b><br><b>5871261HA x 18</b>   |
| <b>3110976KA</b><br>Jak wyżej, anodowany<br><i>Same, anodized</i>  | <b>3110976AN x 2</b><br><b>2637136 x 3</b><br><b>5871261HA x 18</b> |

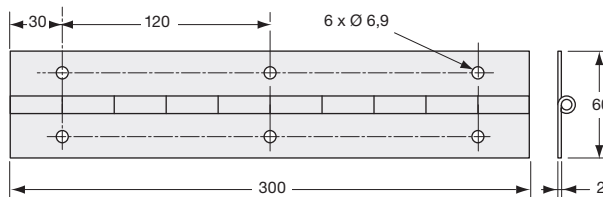


**5871261HA**  $\frac{Kg}{}$  0,013  
 Nit Ø 6,4, stal cynkowa, chromianowana.  
*Ø 6,4 rivet yellow zinc plated steel.*

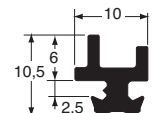


**3110976**  $\leftarrow 3,20 \text{ m} \rightarrow$   
 Profil zawiasu, aluminium surowe.  
*Hinge profile, self colour aluminium.*  
**3110976AN**  
 Jak wyżej, anodowany.  
*Same, anodized.*

Zawias dostarczany luzem.  
*Hinge delivered not fitted.*



**2637136**  $\frac{Kg}{}$  0,420  
 Zawias, stal nierdzewna.  
*Inox hinge.*

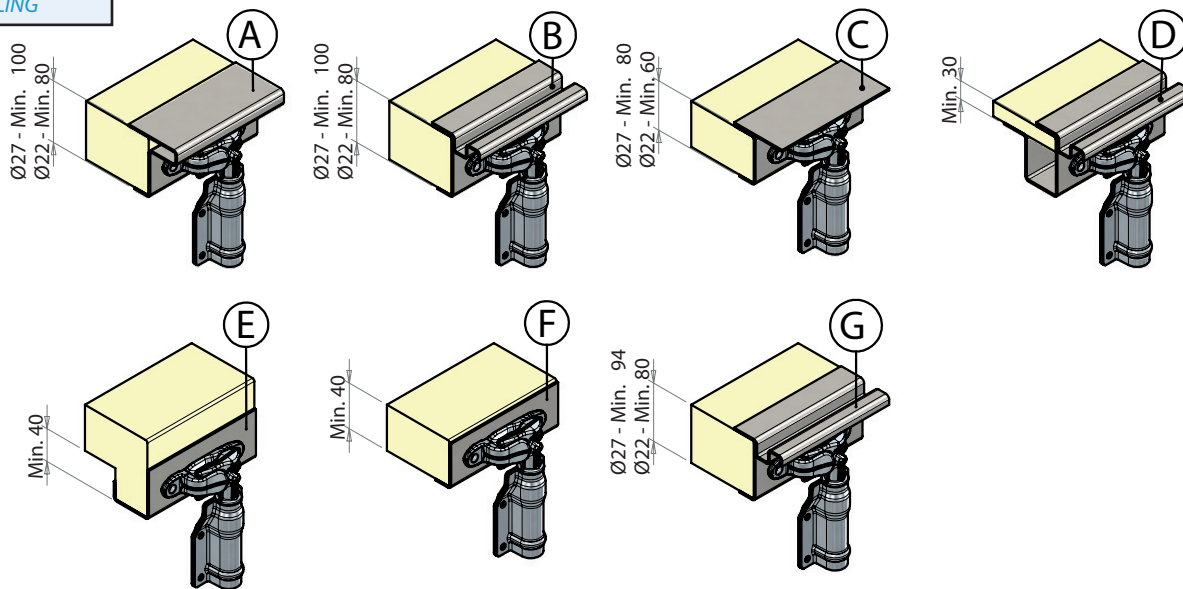


**1232561**  $\leftarrow 35 \text{ m} \rightarrow$   
 Uszczelka.  
*Seal for hinge.*

**RAMA ZE STALI NIERDZEWNEJ - STAINLESS STEEL FRAME**

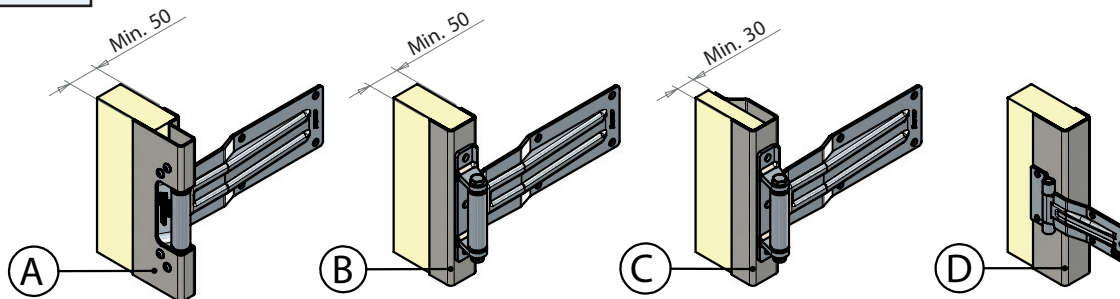
**DACH**  
CEILING

Furgocar  
ENX QUALITY



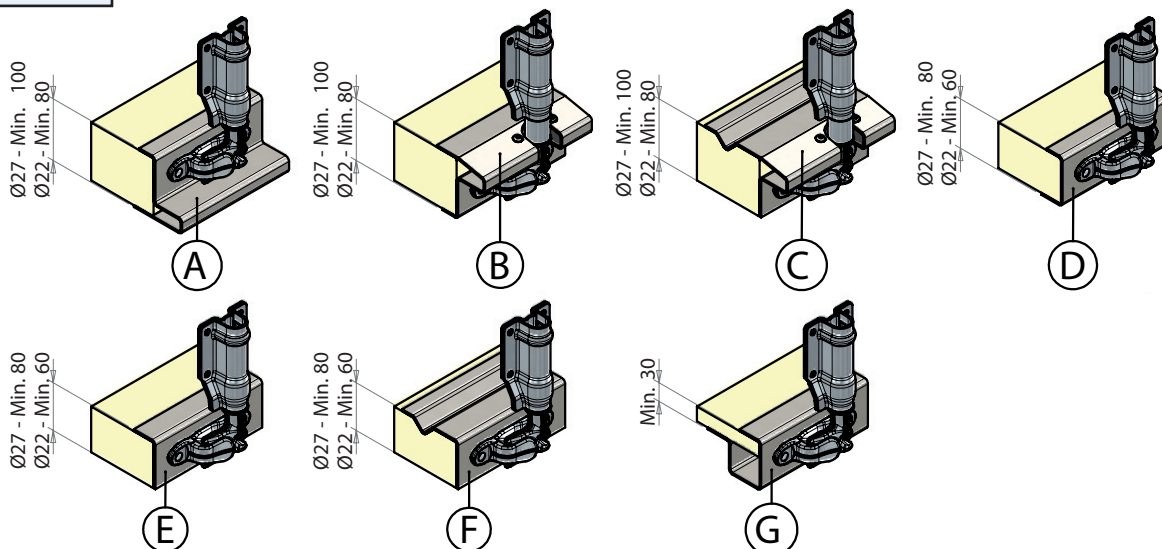
**PŁYTY**  
SIDE PANEL

Furgocar  
ENX QUALITY



**PODŁOGA**  
FLOOR

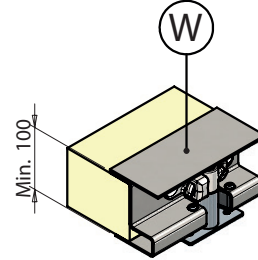
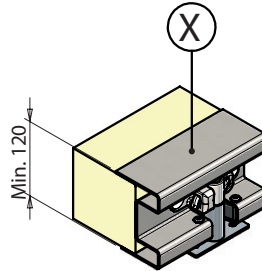
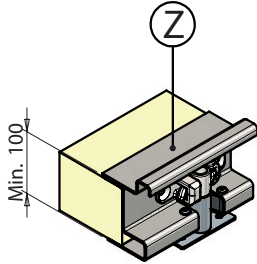
Furgocar  
ENX QUALITY



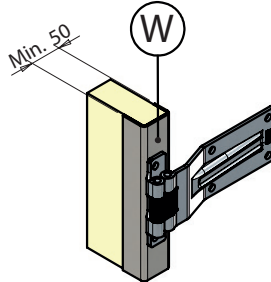
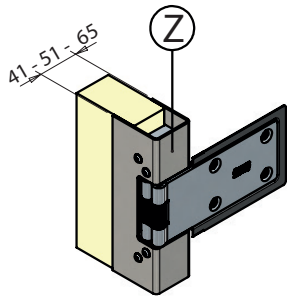
NA ŻYCZENIE - UNDER REQUEST

**RAMA ZE STALI NIERDZEWNEJ - STAINLESS STEEL FRAME**

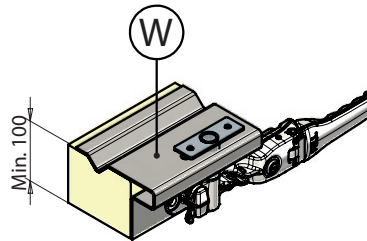
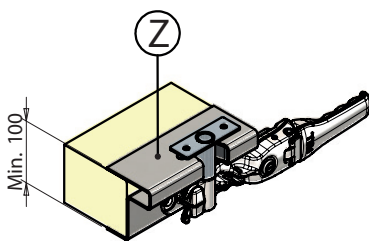
DACH  
CEILING



PŁYTY  
SIDE PANEL

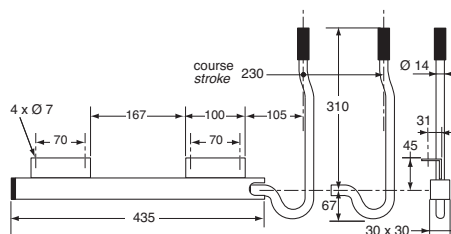


PODŁOGA  
FLOOR



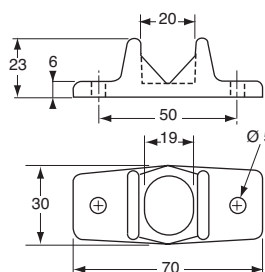
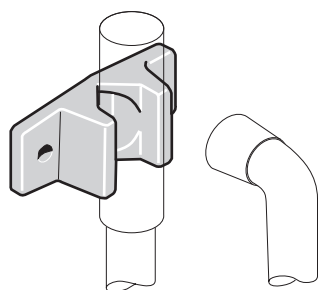
NA ŻYCZENIE - UNDER REQUEST

**W** KSZTAŁCIE KĄTOWNIKA - **L** DOOR RETAINERS



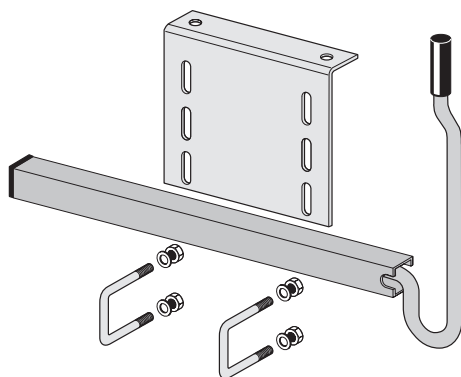
Ustalacz położenia drzwi, uchylny z kątownikiem 45 x 30 i odsadzoną rączką, uszczelniony, nasmarowany, stal cynkowana  
*Zinc plated steel door retainer with corner plate 45 x 30, greased with watertight ring.*

|                          |       |
|--------------------------|-------|
| Nr katalog.<br>Reference |       |
| 2537864                  | 2,195 |



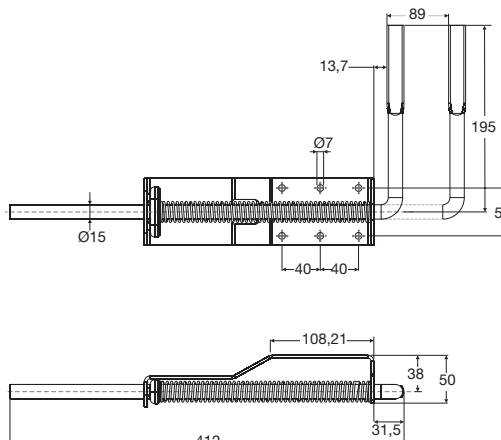
Chwytek z szarego polipropylenu do ustalaczy drzwiowych.  
*Grey polypropylene securing bracket for door retainers.*

|                          |       |
|--------------------------|-------|
| Nr katalog.<br>Reference |       |
| 2537856                  | 0,046 |



Ustalacz położenia drzwi uniwersalny, kompletny.  
*Universal door retainer complete.*

|                          |     |
|--------------------------|-----|
| Nr katalog.<br>Reference |     |
| 2537868                  | 2,5 |

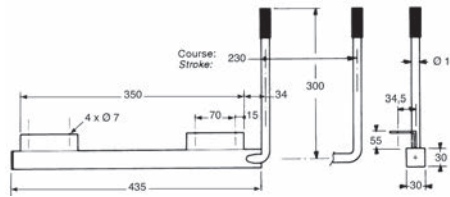
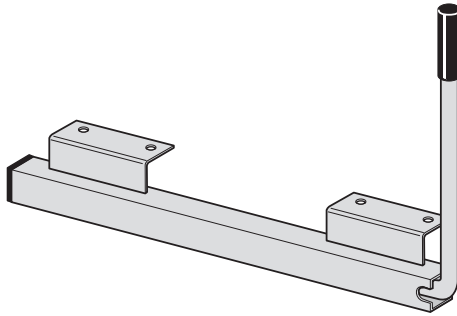


Ustalacz położenia drzwi, stal nierdzewna, ze sprężyną. Blokada rygłem.  
*Stainless steel door retainer, designed to locate on the cam.*



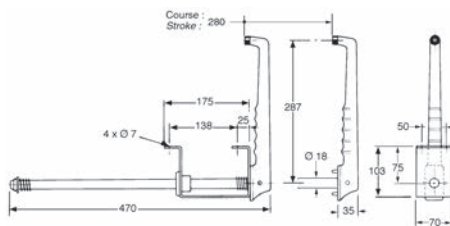
|                          |      |
|--------------------------|------|
| Nr katalog.<br>Reference |      |
| 131011142                | 1,41 |

W KSZTAŁCIE KĄTOWNIKA - L DOOR RETAINERS



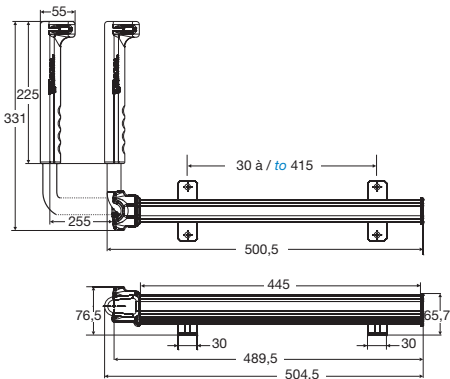
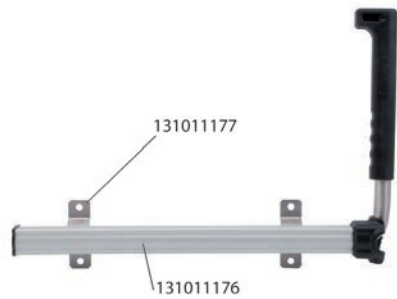
Ustalacz położenia drzwi, uchylny, ze stali cynkowanej z: kątownikiem 50 x 55, ciągnem Ø 16 i uszczelką, nasmarowany.  
*Zinc plated steel door retainer with corner plate 50 x 55, rod Ø 16 mm, greased with watertight ring.*

| Nr katalog.<br>Reference | $\frac{\circ}{Kg}$ | Ø  |
|--------------------------|--------------------|----|
| 2537851                  | 2,45               | 16 |



Ustalacz położenia drzwi, uchylny, z uchwytem z surowego aluminium, na chromianowanym pręcie Ø 18 mm, z cynkowanym stalowym wspornikiem powłoka 3 mm.  
*Door retainer with self colour aluminium handle, zinc plated steel rod Ø 18 mm, galvanized steel bracket: 3 mm thick.*

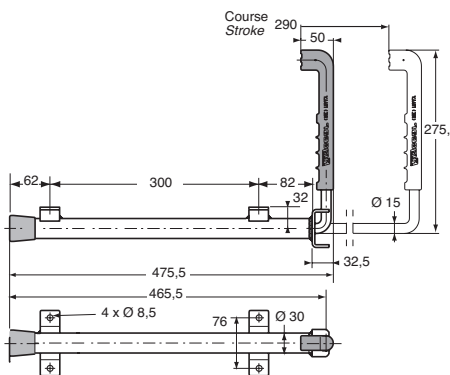
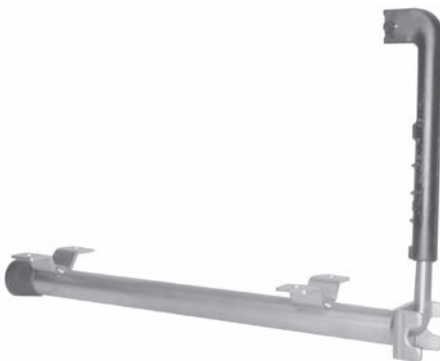
| Nr katalog.<br>Reference | $\frac{\circ}{Kg}$ |
|--------------------------|--------------------|
| 2537865                  | 2                  |



Ustalacz położenia drzwi, trójpo-  
zycyjny, aluminium. Rura i  
wsporniki mocujące ze stali  
nierdzewnej. 3 pozycje ustawienia  
*Waterproof Aluminium door retainer with  
stainless steel brackets and tube. 3 stowing  
positions.*



| Nr katalog.<br>Reference | $\frac{\circ}{Kg}$ |
|--------------------------|--------------------|
| 2537873                  | 1,53               |



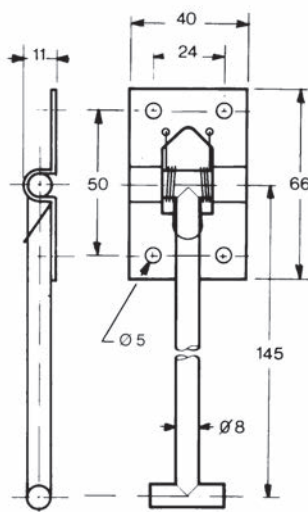
Ustalacz położenia drzwi, uchylny, z  
rączką z kompozytu, na pręcie  
Ø 15mm, uszczelniony, nasmarowany.  
*Door retainer with handle and rod Ø 15 mm,  
greased with watertight ring.*



| Nr katalog.<br>Reference | $\frac{\circ}{Kg}$ | Zakończyć<br>Finish                |
|--------------------------|--------------------|------------------------------------|
| 131010481                | 2,2                | Stal nierdzewna<br>Stainless steel |
| 132103850                | 2,2                | Stal ocynkowana<br>Zinc plated     |



**W** KSZTAŁCIE T - *T* DOOR RETAINERS

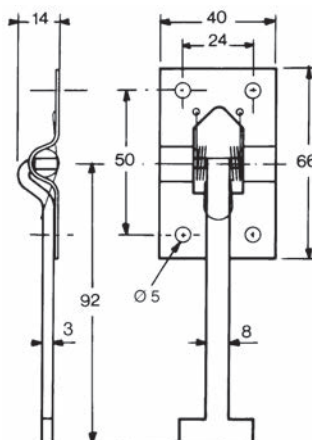


Ustalacz położenia drzwi.

*Hook.*

| Nr katalog.<br>Reference | Kg    | Zakończyć<br>Finish                |
|--------------------------|-------|------------------------------------|
| 2537838                  | 0,105 | Ocynkowana<br>Zinc plated          |
| 2537838IN                | 0,109 | Stal nierdzewna<br>Stainless steel |

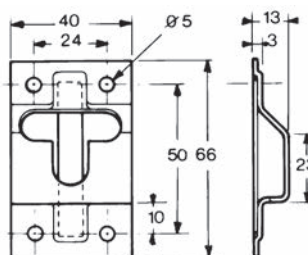
9



Ustalacz położenia drzwi.

*Hook.*

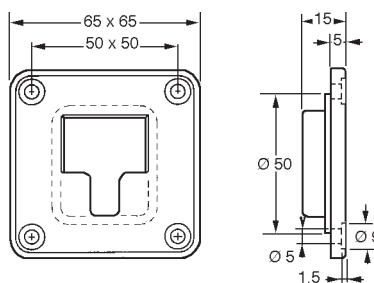
| Nr katalog.<br>Reference | Kg   | Zakończyć<br>Finish                |
|--------------------------|------|------------------------------------|
| 2537837                  | 0,05 | Ocynkowana<br>Zinc plated          |
| 2537852                  | 0,05 | Stal nierdzewna<br>Stainless steel |



Zaczep ustalacza położenia drzwi.

*Catch plate.*

| Nr katalog.<br>Reference | Kg    | Zakończyć<br>Finish                |
|--------------------------|-------|------------------------------------|
| 2537840                  | 0,074 | Ocynkowana<br>Zinc plated          |
| 2537854                  | 0,074 | Stal nierdzewna<br>Stainless steel |



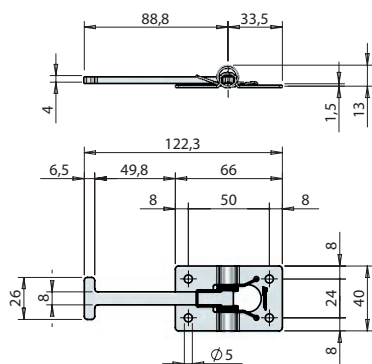
Zaczep wpuszczany, czarny plastik.

*Black plastic recessed catch plate.*

| Nr katalog.<br>Reference | Kg   |
|--------------------------|------|
| 2537844                  | 0,02 |



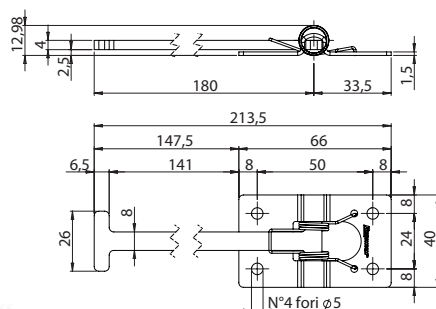
W Kształcie T - T DOOR RETAINERS



Ustalacz położenia drzwi, hakowy.  
*Hook for door retainer.*



| Nr katalog.<br>Reference | $\frac{Kg}{\square}$ | Zakończyć<br>Finish                |
|--------------------------|----------------------|------------------------------------|
| 13100335A                | 0,06                 | Stal nierdzewna<br>Stainless steel |
| 13210336A                | 0,06                 | Stal ocynkowana<br>Zinc plated     |



Ustalacz położenia drzwi, hakowy.  
*Hook for door retainer.*



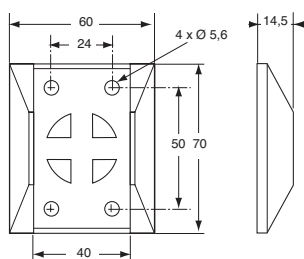
| Nr katalog.<br>Reference | $\frac{Kg}{\square}$ | Zakończyć<br>Finish                |
|--------------------------|----------------------|------------------------------------|
| 131011434                | 0,10                 | Stal nierdzewna<br>Stainless steel |



Zaczep ustalacza położenia drzwi.  
*Catch plate.*

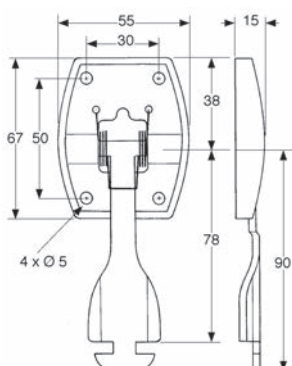
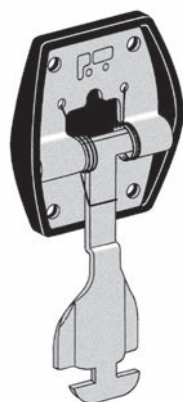


| Nr katalog.<br>Reference | $\frac{Kg}{\square}$ | Zakończyć<br>Finish                |
|--------------------------|----------------------|------------------------------------|
| 13100337A                | 0,031                | Stal nierdzewna<br>Stainless steel |
| 13210338A                | 0,03                 | Stal ocynkowana<br>Zinc plated     |



Stopa z elastomeru.  
*Elastomer backplate.*

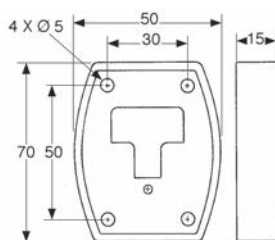
| Nr katalog.<br>Reference | $\frac{Kg}{\square}$ |
|--------------------------|----------------------|
| 13310339A                | 0,015                |



Zaczep ustalacza położenia drzwi, nierdzewny z czarną podkładką z tworzywa.  
*Stainless steel door hook with black plastic backplate.*

| Nr katalog.<br>Reference | $\frac{Kg}{\square}$ |
|--------------------------|----------------------|
| 2537870                  | 0,085                |

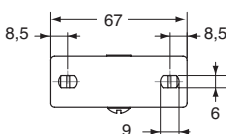
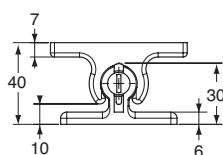
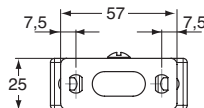
**W Kształcie T - T DOOR RETAINERS**



Zaczepek ustalacza położenia drzwi, nierdzewny z czarną podkładką z tworzywa.  
*Stainless steel catch plate with black plastic backplate.*

| Nr katalog.<br>Reference | Kg    |
|--------------------------|-------|
| 2537871                  | 0,045 |

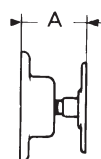
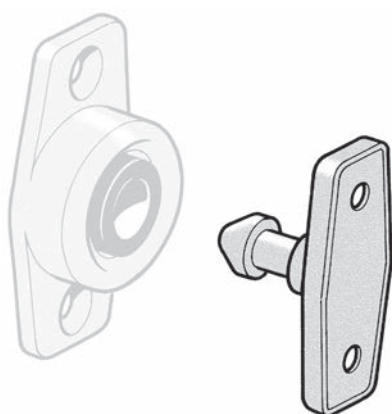
**Z OGRANICZNIKIEM - WITH STOPS**



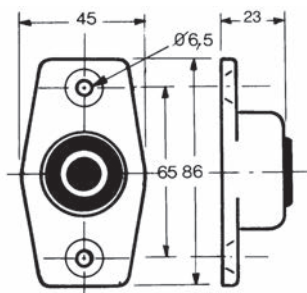
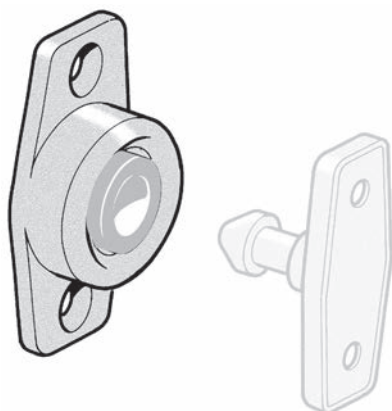
Ustalacz położenia drzwi plastikowy regulowany.  
*Plastic door retainer adjustable.*

| Nr katalog.<br>Reference | Kg    |
|--------------------------|-------|
| 133110261                | 0,045 |

Ustalacz położenia drzwi, kompletny.  
*Complete door retainer.*



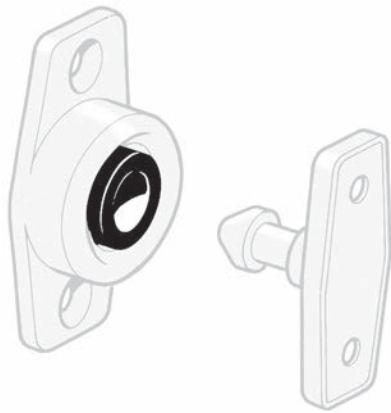
| Nr katalog.<br>Reference | Kg    | A (mm) |
|--------------------------|-------|--------|
| 2537814                  | 0,1   | 42     |
| 2537815                  | 0,105 | 55     |
| 2537816                  | 0,11  | 85     |




Obudowa aluminium anodowane.  
*Anodized aluminium socket.*

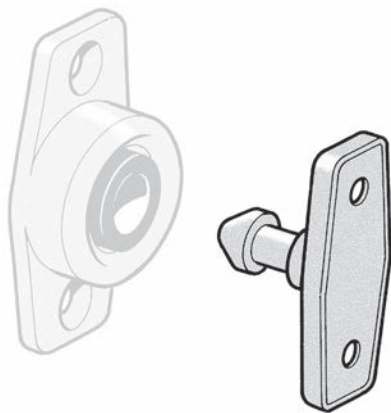
| Nr katalog.<br>Reference | Kg    |
|--------------------------|-------|
| 2537814 CO               | 0,025 |

**Z OGRANICZNIKIEM - WITH STOPS**

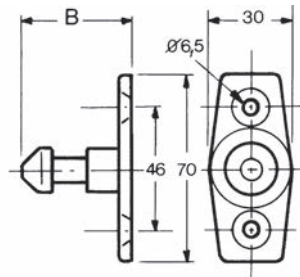



Zderzak gumowy dla 2537814CO.  
*Rubber socket for 2537814CO.*

| Nr katalog.<br>Reference |  |
|--------------------------|---|
| 2537814 BU               | -   |



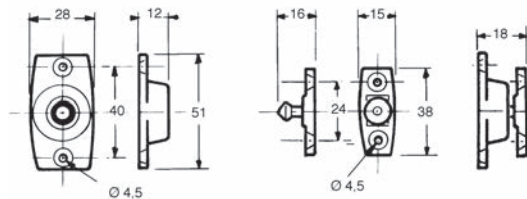
Wtyk zaczepu, aluminium.  
*Aluminium plunger.*




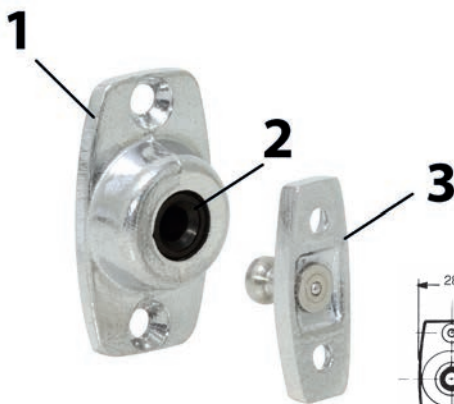
| Nr katalog.<br>Reference |  | B<br>(mm) |
|--------------------------|---|-----------|
| 2537814MA                | 0,046   | 39        |
| 2537815MA                | 0,5   | 51,5      |
| 2537816MA                | 0,057   | 81,5      |



Ustalacz położenia drzwi, kompletny.  
*Polished aluminium socket.*




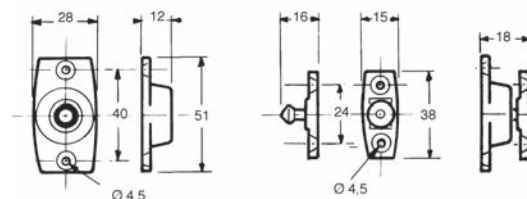
| Nr katalog.<br>Reference |  |
|--------------------------|---|
| 2437828                  | 0,023   |



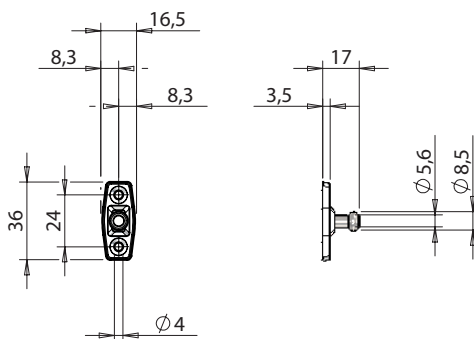
Elementy dla ustalacza położenia drzwi  
2437828.

*Components for door retainer 2437828.*

| Nr katalog.<br>Reference |  | Typ<br>Type |
|--------------------------|---|-------------|
| 2437828BU                | -   | 2           |
| 2437828CO                | -   | 1           |
| 2437828MA                | -   | 3           |

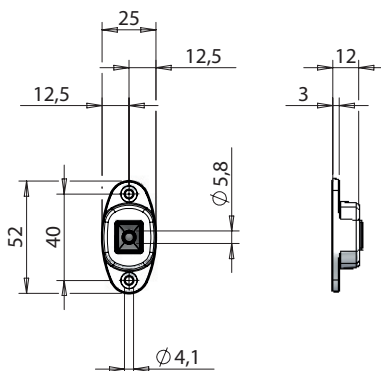


Z OGRANICZNIKIEM - *WITH STOPS*



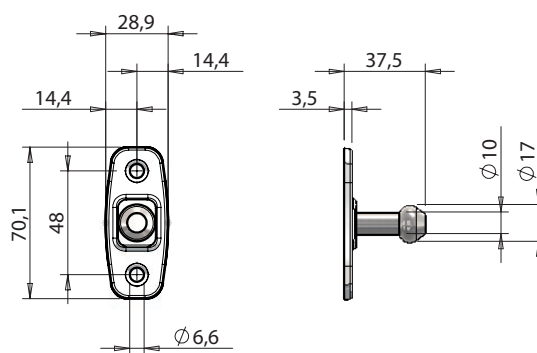
Wtyk zaczeu ustalacza połozenia drzwi  
Ø 8,5 x 17 mm.  
*Plunger Ø 8,5 x 17 mm.*

| Nr katalog.<br>Reference | $\triangle$ Kg | Zakończyć<br>Finish |
|--------------------------|----------------|---------------------|
| 131003173                | 0,007          | Brutto<br>Raw       |



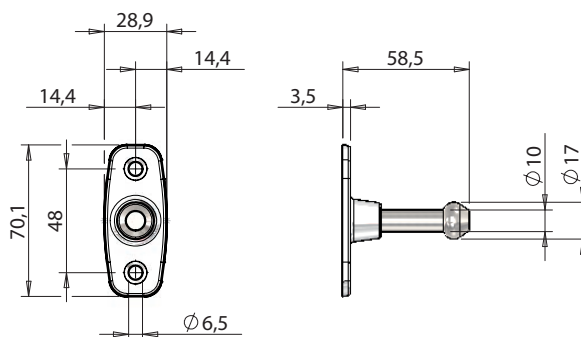
Obudowa z odbojem gumowym dla wtyku  
Ø 8,5 mm.  
*Socket with rubber insert for plunger Ø 8,5 mm.*

| Nr katalog.<br>Reference | $\triangle$ Kg | Zakończyć<br>Finish    |
|--------------------------|----------------|------------------------|
| 131003180                | 0,02           | Aluminium<br>Aluminium |



Wtyk zaczeu ustalacza połozenia drzwi  
Ø 17 x 37,5 mm.  
*Plunger Ø 17 x 37,5 mm.*

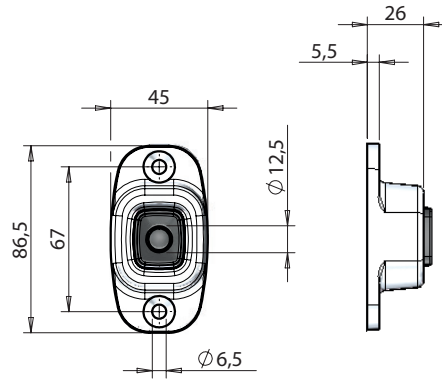
| Nr katalog.<br>Reference | $\triangle$ Kg | Zakończyć<br>Finish |
|--------------------------|----------------|---------------------|
| 131003175                | 0,06           | Brutto<br>Raw       |



Wtyk zaczeu ustalacza połozenia drzwi  
Ø 17 x 58,5 mm.  
*Plunger Ø 17 x 58,5 mm.*

| Nr katalog.<br>Reference | $\triangle$ Kg | Zakończyć<br>Finish |
|--------------------------|----------------|---------------------|
| 131003174                | 0,075          | Brutto<br>Raw       |

**Z OGRANICZNIKIEM - WITH STOPS**

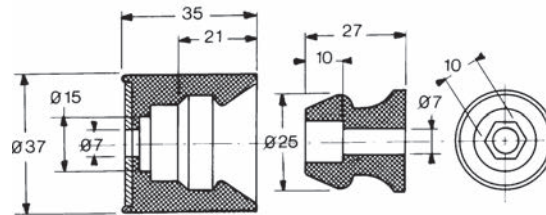


Obudowa z odbojem gumowym dla wtyku  $\varnothing 17$  mm.  
*Socket with rubber insert for plunger  $\varnothing 17$  mm.*

| Nr katalog.<br>Reference | $\frac{kg}{kg}$ | Zakończyć<br>Finish    |
|--------------------------|-----------------|------------------------|
| 131003181                | 0,078           | Aluminium<br>Aluminium |

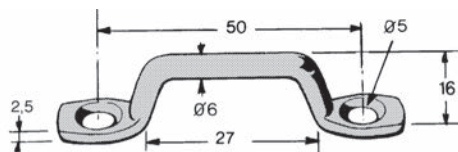
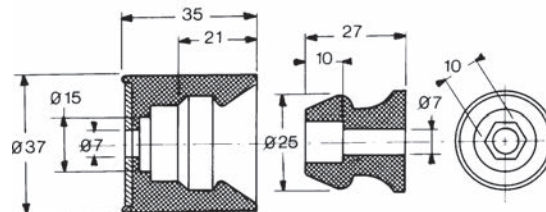
Ustalacz położenia drzwi, kompletny.  
*Complete door retainer.*

| Nr katalog.<br>Reference | $\frac{kg}{kg}$ |
|--------------------------|-----------------|
| 2537813                  | 0,052           |



Elementy dla ustalacza położenia drzwi  
2537813.  
*Components for door retainer 2537813.*

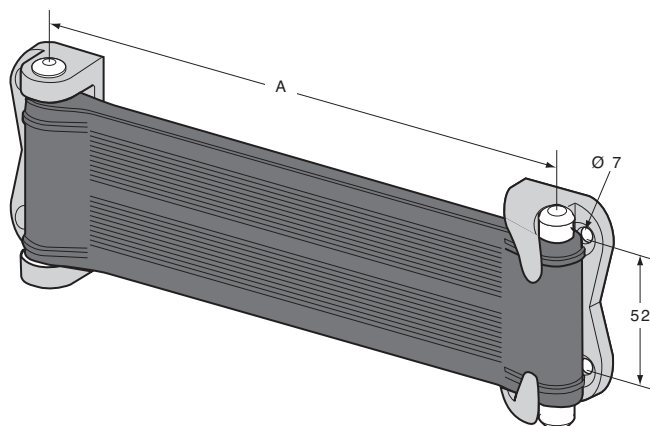
| Nr katalog.<br>Reference | $\frac{kg}{kg}$ | Typ<br>Type |
|--------------------------|-----------------|-------------|
| 2537813BU                | -               | 1           |
| 2537813MA                | -               | 2           |



Klamra ze stali cynkowanej.  
*Zinc plated steel clamp.*

| Nr katalog.<br>Reference | $\frac{kg}{kg}$ |
|--------------------------|-----------------|
| 2403788                  | 0,015           |

**TĄSMOWY - STRAP DOOR RETAINER**

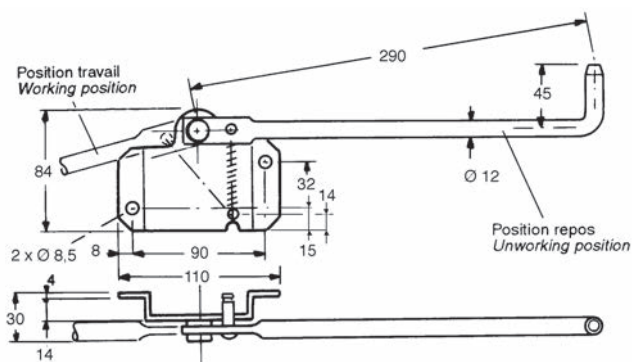


Ustalacz położenia drzwi.  
*Door retainer.*

| Nr katalog.<br><i>Reference</i> | $\frac{\circ}{Kg}$ | A<br>(mm) |
|---------------------------------|--------------------|-----------|
| 2437819                         | 0,35               | 190       |
| 2437820                         | 0,395              | 220       |

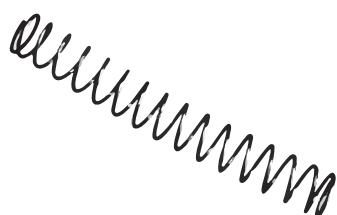
9

**PRZESTAWIANE DŹWIGNIĄ - HINGED DOOR RETAINER**



Ustalacz położenia drzwi, wzdłużny, nierdzewny, jak na rysunku.  
*Longitudinal door retainer, the image represents the righthand side.*

| Nr katalog.<br><i>Reference</i> | $\frac{\circ}{Kg}$ | Zakończyć<br><i>Finish</i>                | Strona<br><i>Hand</i> |
|---------------------------------|--------------------|---|-----------------------|
| 2537861DR                       | 0,56               | Stal nierdzewna<br><i>Stainless steel</i> | Prawa<br><i>Right</i> |
| 2537861GA                       | 0,56               | Stal nierdzewna<br><i>Stainless steel</i> | Lewa<br><i>Left</i>   |
| 2537862DR                       | 0,56               | Ocynkowana<br><i>Zinc plated</i>          | Prawa<br><i>Right</i> |
| 2537862GA                       | 0,56               | Ocynkowana<br><i>Zinc plated</i>          | Lewa<br><i>Left</i>   |

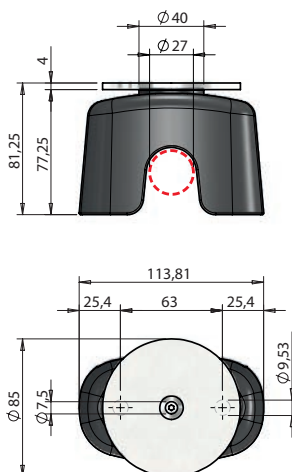


Sprężyna dla 2537861 / 862.  
*Spring for 2537861 / 862.*

|                                 |
|---------------------------------|
| Nr katalog.<br><i>Reference</i> |
| 2537861RE                       |

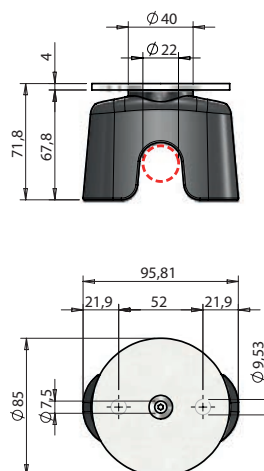


**MAGNETYCZNY - MAGNETIC**



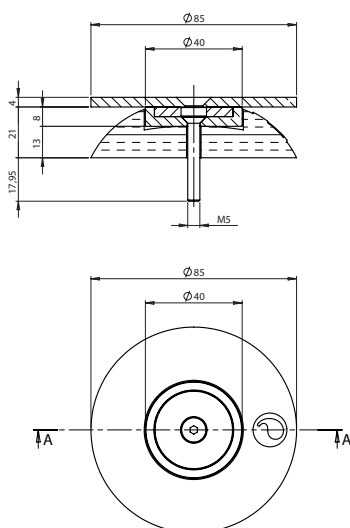
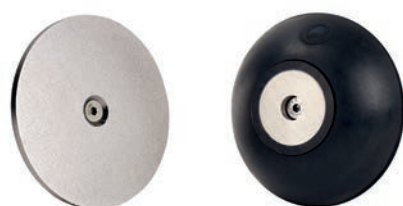
Ustalacz położenia drzwi magnetyczny.  
*Magnetic door retainer.*

| Nr katalog.<br>Reference |  Kg | Ø  |
|--------------------------|--|----|
| 131011658                | 0,63   | 27 |

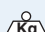


Ustalacz położenia drzwi magnetyczny.  
*Magnetic door retainer.*

| Nr katalog.<br>Reference |  Kg | Ø  |
|--------------------------|--|----|
| 131011659                | 0,44   | 22 |



Trzymacz magnetyczny do drzwi bocznych.  
*Magnetic side door retainer.*

| Nr katalog.<br>Reference |  Kg |
|--------------------------|--|
| 131011674                | 0,34   |





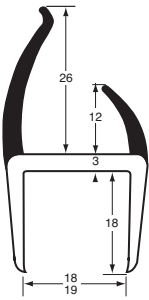
**USZCZELKI**  
PVC, guma, komórkowe

**SEALS**  
*PVC door seals, rubber profiles, sponge rubber profiles*



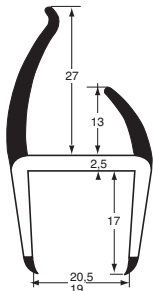
10



**USZCZELKI ZE STOPĄ TWARDĄ - SEALS WITH RIGID SOLES**


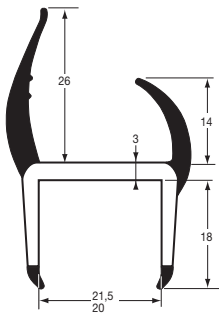
PCW o podwójnej twardości szary/czarny.  
*Grey/black dual-hardness P.V.C.*

| Nr katalog.<br>Reference | Długość<br>Length |
|--------------------------|-------------------|
| 1132386                  | 5                 |



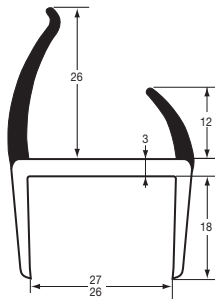
PCW o podwójnej twardości szary/czarny.  
*Grey/black dual-hardness P.V.C.*

| Nr katalog.<br>Reference | Długość<br>Length |
|--------------------------|-------------------|
| 1132386B                 | 3,2               |



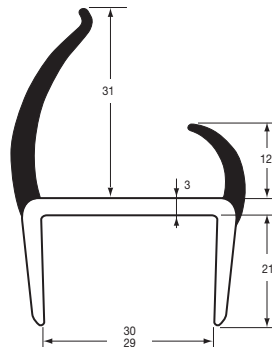
PCW o podwójnej twardości.  
*Dual-hardness P.V.C.*

| Nr katalog.<br>Reference | Długość<br>Length | Kolor<br>Colour            |
|--------------------------|-------------------|----------------------------|
| 1132215                  | 5                 | Szary<br>Grey              |
| 1132216                  | 6                 | Szary<br>Grey              |
| 1132374                  | 6                 | Szary/czarny<br>Grey/black |
| 1132375                  | 5                 | Szary/czarny<br>Grey/black |
| 1132375A                 | 2,7               | Szary/czarny<br>Grey/black |
| 1132375B                 | 3,2               | Szary/czarny<br>Grey/black |



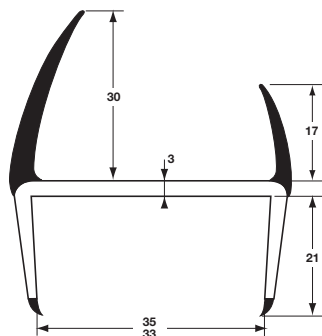
PVC o podwójnej twardości szary.  
*Grey dual-hardness P.V.C.*

| Nr katalog.<br>Reference | Długość<br>Length | Kolor<br>Colour            |
|--------------------------|-------------------|----------------------------|
| 1132219A                 | 2,8               | Szary<br>Grey              |
| 1132220A                 | 3,3               | Szary<br>Grey              |
| 1132383                  | 5                 | Szary/czarny<br>Grey/black |
| 1132383A                 | 2,7               | Szary/czarny<br>Grey/black |
| 1132383B                 | 3,2               | Szary/czarny<br>Grey/black |



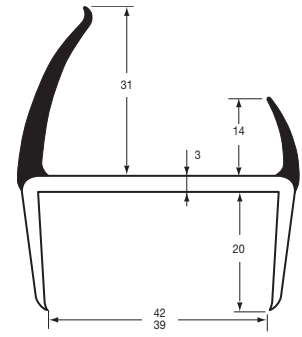
PCW o podwójnej twardości.  
*Dual-hardness P.V.C.*

| Nr katalog.<br>Reference | Długość<br>Length | Kolor<br>Colour            |
|--------------------------|-------------------|----------------------------|
| 1132225                  | 5                 | Szary<br>Grey              |
| 1132376                  | 5                 | Szary/czarny<br>Grey/black |



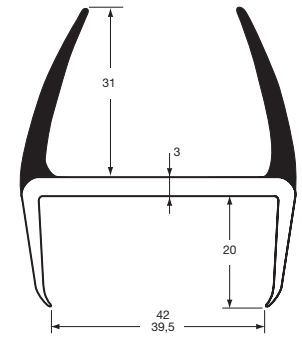
PVC o podwójnej twardości szary/szary.  
*Grey/grey dual-hardness P.V.C.*

| Nr katalog.<br>Reference | Długość<br>Length |
|--------------------------|-------------------|
| 1132401                  | 2,7               |



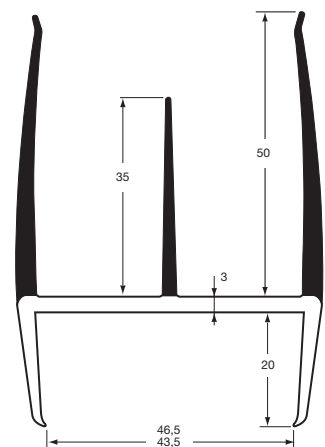
PCW o podwójnej twardości.  
*Dual-hardness P.V.C.*

| Nr katalog.<br>Reference | Długość<br>Length | Kolor<br>Colour            |
|--------------------------|-------------------|----------------------------|
| 1132230                  | 5                 | Szary<br>Grey              |
| 1132385                  | 5                 | Szary/czarny<br>Grey/black |



PCW o podwójnej twardości szary.  
*Grey dual-hardness P.V.C.*

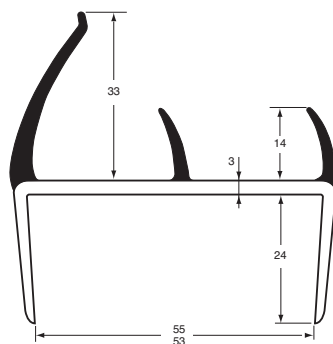
| Nr katalog.<br>Reference | Długość<br>Length |
|--------------------------|-------------------|
| 1132391                  | 5                 |



PCW o podwójnej twardości.  
*Dual-hardness P.V.C.*

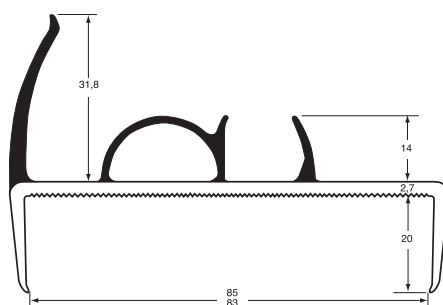
| Nr katalog.<br>Reference | Długość<br>Length | Kolor<br>Colour            |
|--------------------------|-------------------|----------------------------|
| 1132397                  | 2,7               | Szary/czarny<br>Grey/black |
| 1132400                  | 2,7               | Szary<br>Grey              |

USZCZELKI ZE STOPĄ TWARDĄ - SEALS WITH RIGID SOLES



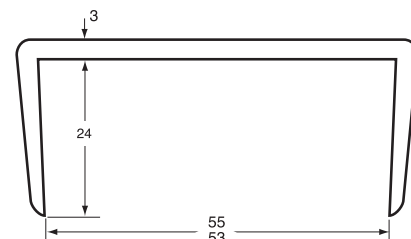
PCW o podwójnej twardości.  
Dual-hardness P.V.C.

| Nr katalog.<br>Reference | Długość<br>Length | Kolor<br>Colour            |
|--------------------------|-------------------|----------------------------|
| 1132235                  | 5                 | Szary<br>Grey              |
| 1132384                  | 5                 | Szary/czarny<br>Grey/black |



PVC o podwójnej twardości szary.  
Dual-hardness P.V.C.

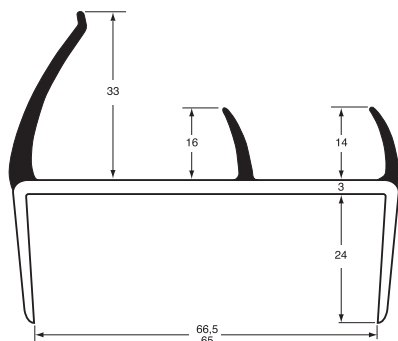
| Nr katalog.<br>Reference | Długość<br>Length | Kolor<br>Colour             |
|--------------------------|-------------------|-----------------------------|
| 1132245                  | 5                 | Szary<br>Grey               |
| 1132389                  | 5                 | Szary/szary<br>Grey/Grey    |
| 1132389BN                | 5                 | Biały/czarny<br>White/black |



PVC o podwójnej twardości szare.  
Grey rigid P.V.C.

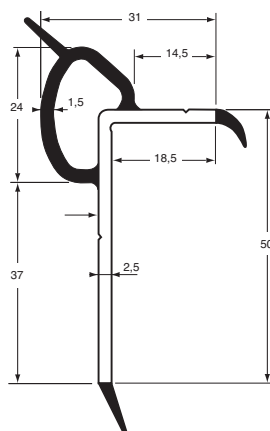
| Nr katalog.<br>Reference | Długość<br>Length |
|--------------------------|-------------------|
| 1132398                  | 5                 |

10



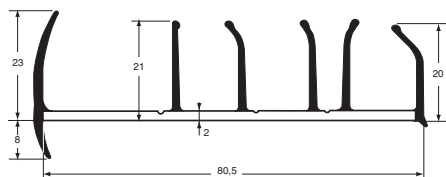
PVC o podwójnej twardości szare.  
Grey dual-hardness P.V.C.

| Nr katalog.<br>Reference | Długość<br>Length | Kolor<br>Colour            |
|--------------------------|-------------------|----------------------------|
| 1132240                  | 5                 | Szary<br>Grey              |
| 1132392                  | 5                 | Szary/czarny<br>Grey/black |



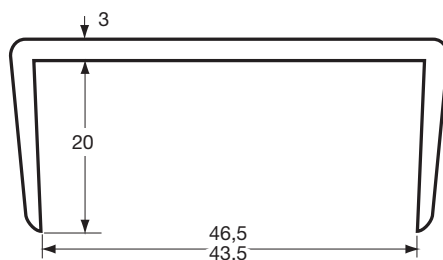
PVC o podwójnej twardości szare/czarne.  
Grey/black dual-hardness P.V.C.

| Nr katalog.<br>Reference | Długość<br>Length |
|--------------------------|-------------------|
| 1132395                  | 3,2               |



Wargi z santoprenu, podstawa (stopa) z polipropylenu.  
Santoprene fins, polypropylene base.

| Nr katalog.<br>Reference | Długość<br>Length |
|--------------------------|-------------------|
| 1132403                  | 2,70              |



PVC o podwójnej twardości szary.  
Grey hardness P.V.C.

| Nr katalog.<br>Reference | Długość<br>Length |
|--------------------------|-------------------|
| 1132402                  | 2,6               |

**NAROŻNIKI WYKOŃCZENIOWE - FINISHING MITRES**



Profil kątowy, wykańczający.  
*Grey finishing mitre profile.*

| Nr katalog.<br><i>Reference</i> | Długość<br><i>Length</i> | Kolor<br><i>Colour</i> |
|---------------------------------|--------------------------|------------------------|
| 1132393                         | 25                       | Szary<br>Grey          |
| 1132394                         | 25                       | Czarny<br>Black        |



Narożniki wykończeniowe szary.  
*Grey finishing mitres.*

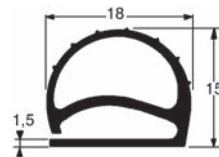
| Nr katalog.<br><i>Reference</i> | A  | Dla<br><i>For</i>  | Zewnątrz<br><i>Outside</i> |
|---------------------------------|----|--------------------|----------------------------|
| 1132390                         | 78 | 1132389<br>1132391 | x                          |

**USZCZELKI MIĘKKIE - SOFT SEALS**



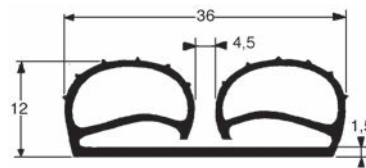
Narożniki wykończeniowe czarny.  
*Black finishing mitres.*

| Nr katalog.<br><i>Reference</i> | A  | Dla<br><i>For</i>   | Wnętrze<br><i>Inside</i> | Zewnątrz<br><i>Outside</i> |
|---------------------------------|----|---|--------------------------|----------------------------|
| 1132377                         | 68 | 1132374<br>1132375<br>1132382<br>1132383<br>1132386                       |                          | x                          |
| 1132378                         | 78 | 1132376<br>1132385  |                          | x                          |
| 1132379                         | 52 | 1132374<br>1132375<br>1132376<br>1132382<br>1132383<br>1132385<br>1132386 | x                        |                            |
| 1132387                         | 60 | 1132384<br>1132392  | x                        |                            |
| 1132388                         | 90 | 1132384<br>1132392  |                          | x                          |



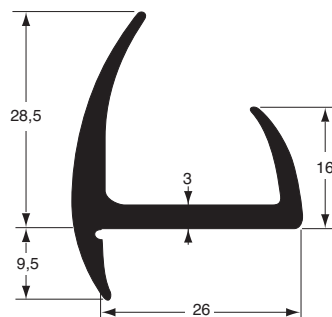
E.P.D.M. szary.  
*Grey E.P.D.M.*

| Nr katalog.<br><i>Reference</i> | Długość<br><i>Length</i> |
|---------------------------------|--------------------------|
| 1232510                         | 30                       |



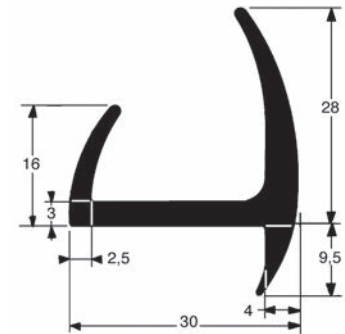
E.P.D.M. szary.  
*Grey E.P.D.M.*

| Nr katalog.<br><i>Reference</i> | Długość<br><i>Length</i> |
|---------------------------------|--------------------------|
| 1232514                         | 4,8                      |



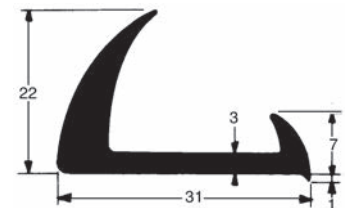
Uszczelki E.P.D.M. czarny.  
*Black E.P.D.M.*

| Nr katalog.<br><i>Reference</i> | Długość<br><i>Length</i> |
|---------------------------------|--------------------------|
| 1232541                         | 2,5                      |



E.P.D.M. szary.  
*Grey E.P.D.M.*

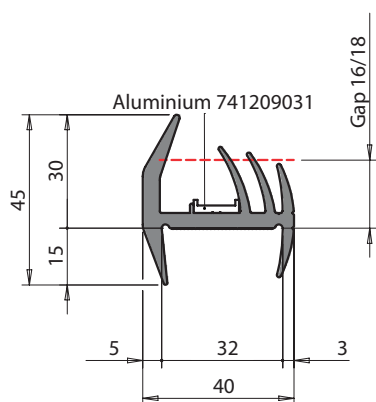
| Nr katalog.<br><i>Reference</i> | Długość<br><i>Length</i> |
|---------------------------------|--------------------------|
| 1232518                         | 2,6                      |



Uszczelka S.B.R., czarny.  
*Black E.P.D.M.*

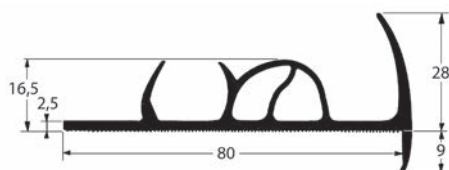
| Nr katalog.<br><i>Reference</i> | Długość<br><i>Length</i> |
|---------------------------------|--------------------------|
| 1103199                         | 2,5                      |

USZCZELKI MIĘKKIE - **SOFT SEALS**



E.P.D.M. czarny.  
Black EPDM.

| Nr katalog.<br>Reference | Długość<br>Length |
|--------------------------|-------------------|
| 580611210                | 20                |

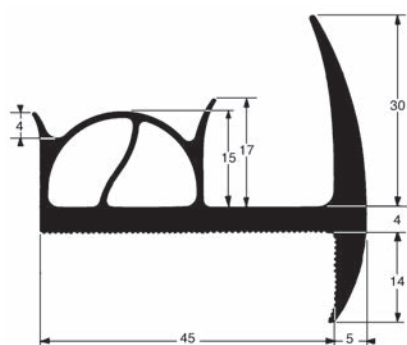


E.P.D.M. czarny.  
Black E.P.D.M.

| Nr katalog.<br>Reference | Długość<br>Length |
|--------------------------|-------------------|
| 1232515NO                | 2,6               |

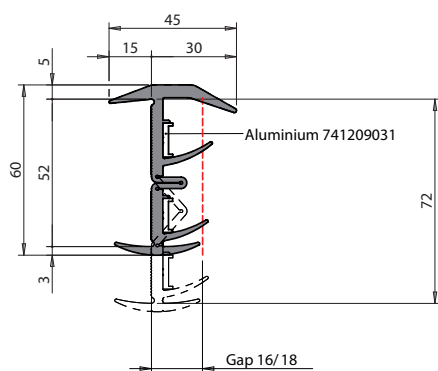
USZCZELKI ROZCIĄGLIWIY - **EXTENDABLE GASKETS**

10



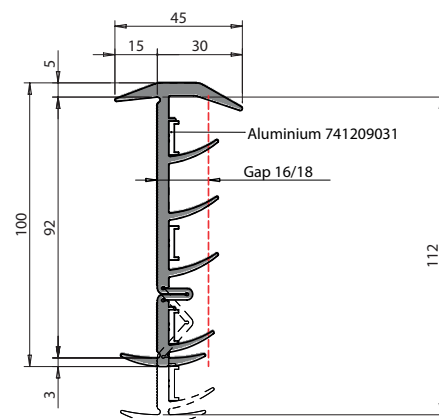
E.P.D.M. szary.  
Grey E.P.D.M.

| Nr katalog.<br>Reference | Długość<br>Length |
|--------------------------|-------------------|
| 1232516                  | 4                 |



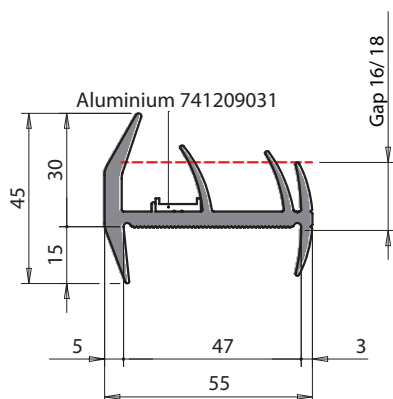
Uszczelka w zwoju 20 m. Idealna dla płyty od 50 do 70 mm.  
Gasket in 20 m rolls for panel width from 50 to 70 mm.

| Nr katalog.<br>Reference | Kg    | Długość<br>Length |
|--------------------------|-------|-------------------|
| 580611207                | 0,532 | 20                |



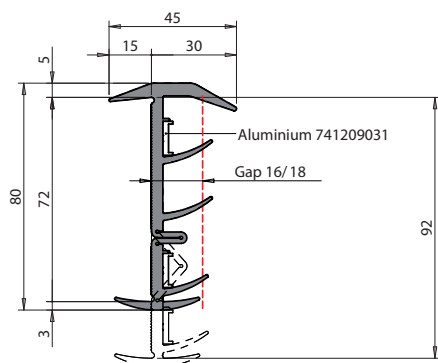
Uszczelka w zwoju 20 m. Idealna dla płyty od 90 do 110 mm.  
Gasket in 20 m rolls for panel width from 90 to 110 mm.

| Nr katalog.<br>Reference | Kg    | Długość<br>Length |
|--------------------------|-------|-------------------|
| 580611209                | 0,763 | 20                |



E.P.D.M. czarny.  
Black EPDM.

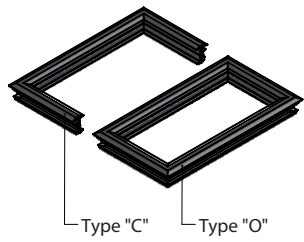
| Nr katalog.<br>Reference | Długość<br>Length |
|--------------------------|-------------------|
| 580611211                | 20                |



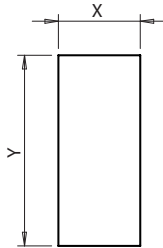
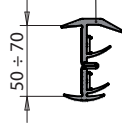
Uszczelka w zwoju 20 m. Idealna dla płyty od 70 do 90 mm.  
Gasket in 20 m rolls for panel width from 70 to 90 mm.

| Nr katalog.<br>Reference | Kg    | Długość<br>Length |
|--------------------------|-------|-------------------|
| 580611208                | 0,647 | 20                |

**SPAWANE RAMY - WELDED FRAMES**



EPDM 580611207

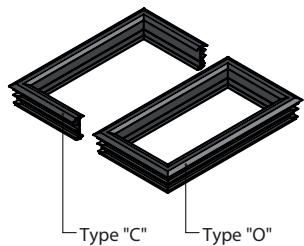


Rama EPDM z kątami wulkanizowanymi, idealna dla płyty od 50 do 70 mm.

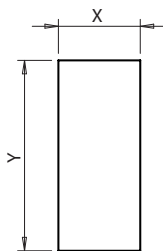
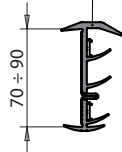
*Vulcanised rubber gasket for complete door, panel width from 50 to 70 mm.*

Nr katalog.  
Reference

600010795



EPDM 580611208

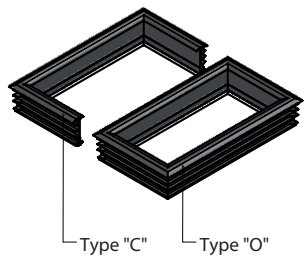


Rama EPDM z kątami wulkanizowanymi, idealna dla płyty od 70 do 90 mm.

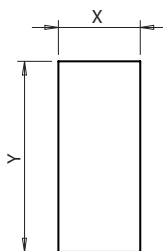
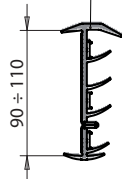
*Vulcanised rubber gasket for complete door, panel width from 70 to 90 mm.*

Nr katalog.  
Reference

600011412



EPDM 580611209

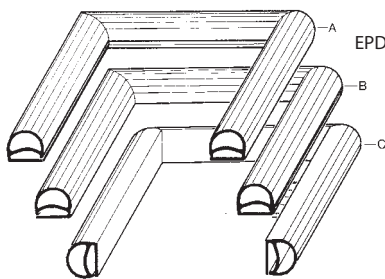


Rama EPDM z kątami wulkanizowanymi, idealna dla płyty od 90 do 110 mm.

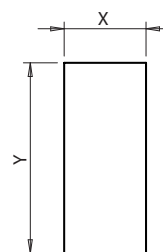
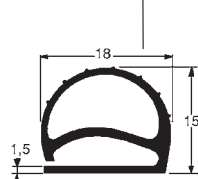
*Vulcanised rubber gasket for complete door, panel width from 90 to 110 mm.*

Nr katalog.  
Reference

600011413



EPDM 12.32510

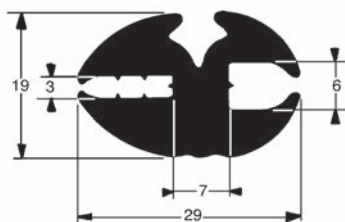


Spawane ramy z 3 lub 4 stron, Wykonanie A, B, C. W zamówieniu określić całkowitą długość i szerokość.

*Welded frame with 3 or 4 sides, execution A, B, C, with the order specify the over-all length and breadth.*

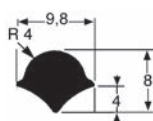


USZCZELKI DO SZYB - WINDOW SEALS



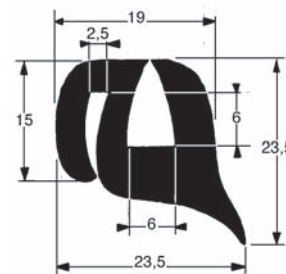
Uszczelki E.P.D.M. czarny.  
*Black E.P.D.M.*

| Nr katalog.<br>Reference | Długość<br>Length |
|--------------------------|-------------------|
| 1232550                  | 25                |



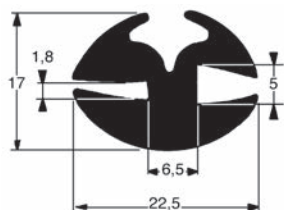
Rozpierzacz z E.P.D.M. czarny.  
*Black E.P.D.M filler strip.*

| Nr katalog.<br>Reference | Długość<br>Length | Dla<br>For                    |
|--------------------------|-------------------|-------------------------------|
| 1203242                  | 50                | 1232410<br>1203255<br>1232550 |



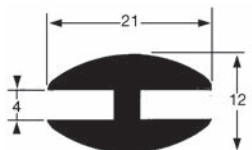
Prowadnica szyby E.P.D.M. czarny.  
*Black E.P.D.M.*

| Nr katalog.<br>Reference | Długość<br>Length |
|--------------------------|-------------------|
| 1203257                  | 20                |



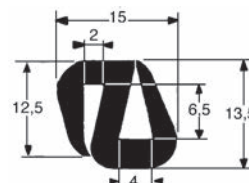
E.P.D.M. czarny.  
*Black E.P.D.M.*

| Nr katalog.<br>Reference | Długość<br>Length |
|--------------------------|-------------------|
| 1232410                  | 25                |



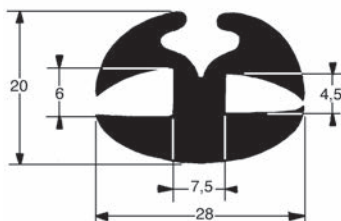
Prowadnica szyby E.P.D.M. czarny.  
*Black S.B.R.*

| Nr katalog.<br>Reference | Długość<br>Length |
|--------------------------|-------------------|
| 1132372                  | 50                |



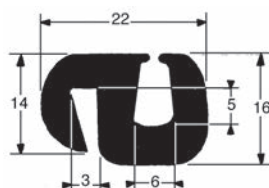
E.P.D.M. czarny.  
*Black E.P.D.M.*

| Nr katalog.<br>Reference | Długość<br>Length |
|--------------------------|-------------------|
| 1232351                  | 25                |



E.P.D.M. czarny.  
*Black E.P.D.M.*

| Nr katalog.<br>Reference | Długość<br>Length |
|--------------------------|-------------------|
| 1203255                  | 25                |



E.P.D.M. czarny.  
*Black E.P.D.M.*

| Nr katalog.<br>Reference | Długość<br>Length |
|--------------------------|-------------------|
| 1203235                  | 25                |

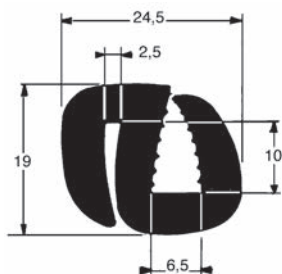


Przyrząd montażowy do uszczelki z rozpierzaczem: z małymi kłami PM 4300851 do montażu rozpierzacza 1203242.  
*Tool used to insert the filler strip : N° 4300851 replacement tip for filler strips 1203242.*

| Nr katalog.<br>Reference | ⊘<br>Kg |
|--------------------------|---------|
| 4300850                  | 0,15    |

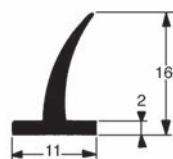
10



**USZCZELKI DO SZYB - WINDOW SEALS**


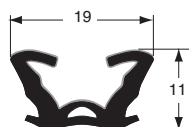
E.P.D.M. czarny.  
*Black E.P.D.M.*

| Nr katalog.<br>Reference | Długość<br>Length |
|--------------------------|-------------------|
| 1132350                  | 25                |



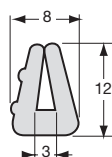
Uszczelka z neoprenu czarna.  
*Black neoprene section.*

| Nr katalog.<br>Reference | Długość<br>Length |
|--------------------------|-------------------|
| 1232546                  | 25                |



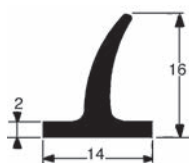
Prowadnica, E.P.D.M. czarny, flokowany.  
*Flock E.P.D.M. black.*

| Nr katalog.<br>Reference | Długość<br>Length |
|--------------------------|-------------------|
| 1145695                  | 50                |



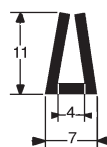
E.P.D.M. szary.  
*Grey E.P.D.M.*

| Nr katalog.<br>Reference | Długość<br>Length |
|--------------------------|-------------------|
| 1232040                  | 25                |



Uszczelki E.P.D.M. czarny.  
*Black E.P.D.M.*

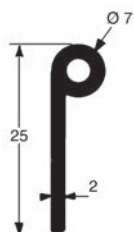
| Nr katalog.<br>Reference | Długość<br>Length |
|--------------------------|-------------------|
| 1232543                  | 25                |



E.P.D.M. czarny.  
*Black E.P.D.M.*

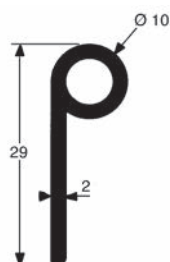
| Nr katalog.<br>Reference | Długość<br>Length |
|--------------------------|-------------------|
| 1232455                  | 25                |

INNE USZCZELKI I AKCESORIA - OTHER SEALS AND ACCESSORIES



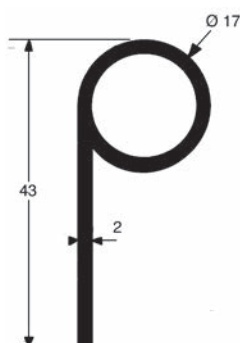
E.P.D.M. czarny.  
Black E.P.D.M.

| Nr katalog.<br>Reference | Długość<br>Length |
|--------------------------|-------------------|
| 1132191                  | 50                |



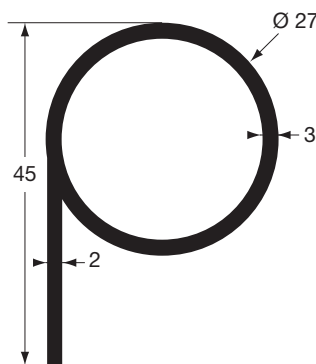
Uszczelki E.P.D.M. czarny.  
Black E.P.D.M.

| Nr katalog.<br>Reference | Długość<br>Length |
|--------------------------|-------------------|
| 1103198                  | 50                |



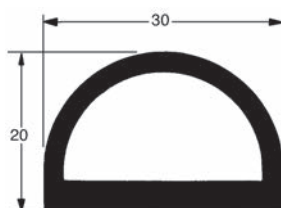
E.P.D.M. czarny.  
Black E.P.D.M.

| Nr katalog.<br>Reference | Długość<br>Length |
|--------------------------|-------------------|
| 1132190                  | 25                |



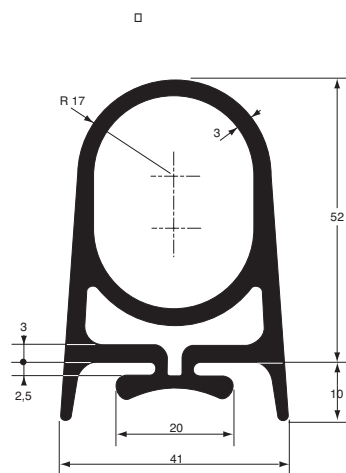
S.B.R. czarny.  
Black S.B.R.

| Nr katalog.<br>Reference | Długość<br>Length |
|--------------------------|-------------------|
| 1132302                  | 15                |



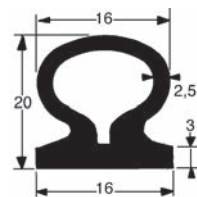
E.P.D.M. czarny.  
Black E.P.D.M.

| Nr katalog.<br>Reference | Długość<br>Length |
|--------------------------|-------------------|
| 1132343                  | 15                |



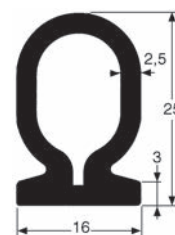
Uszczelka tylnych podnoszonych kłap  
furgonów izotermicznych, E.P.D.M. czarny.  
Black E.P.D.M., for isothermal elevator tailgate.

| Nr katalog.<br>Reference | Długość<br>Length |
|--------------------------|-------------------|
| 1232560                  | 3                 |



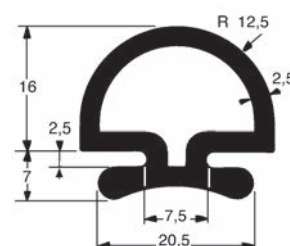
E.P.D.M. czarny.  
Black E.P.D.M.

| Nr katalog.<br>Reference | Długość<br>Length |
|--------------------------|-------------------|
| 1203173                  | 2,2               |



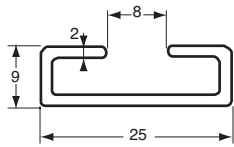
E.P.D.M. czarny.  
Black E.P.D.M.

| Nr katalog.<br>Reference | Długość<br>Length |
|--------------------------|-------------------|
| 1203174                  | 1,6               |

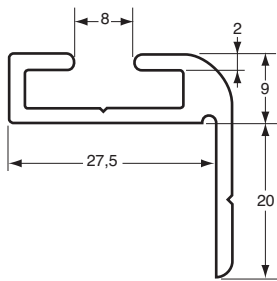


E.P.D.M. czarny.  
Black E.P.D.M.

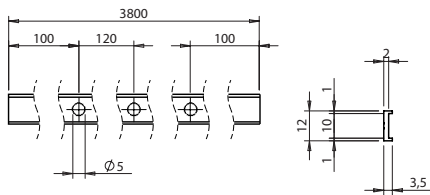
| Nr katalog.<br>Reference | Długość<br>Length |
|--------------------------|-------------------|
| 1232554                  | 4                 |
| 1232554CO                | 20                |

**INNE USZCZELKI I AKCESORIA - OTHER SEALS AND ACCESSORIES**

 Profil aluminiowy surowy.  
*Self colour aluminium profil.*

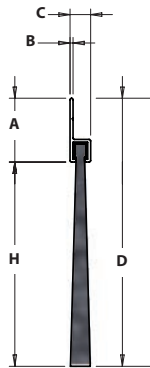
| Nr katalog.<br>Reference | Długość<br>Length | Dla<br>For                               |
|--------------------------|-------------------|--|
| 1637597                  | 4                 | 1232560<br>1203173<br>1203174<br>1232554 |


 Profil aluminiowy surowy.  
*Self colour aluminium profil.*

| Nr katalog.<br>Reference | Długość<br>Length | Dla<br>For                               |
|--------------------------|-------------------|--|
| 1637598                  | 4                 | 1232560<br>1203173<br>1203174<br>1232554 |


 Profil włacz stawów usztywniające EPDM.  
*Fixing profile for EPDM gaskets.*

| Nr katalog.<br>Reference | $\frac{\sigma}{Kg}$ | Dla<br>For  |
|--------------------------|---------------------|---|
| 741209031                | 0,38                | 580311207<br>580311208<br>580311209<br>580311210<br>580611211 |


 Szczotka w profilu aluminiowym.  
*Aluminium brush seal.*

| Nr katalog.<br>Reference | $\frac{\sigma}{Kg}$ | A<br>(mm) | B<br>(mm) | C<br>(mm) | D<br>(mm) | H<br>(mm) | Długość<br>Length |
|--------------------------|---------------------|-----------|-----------|-----------|-----------|-----------|-------------------|
| 1132600                  | 0,575               | 16        | 1.2       | 8         | 55        | 30        | 2                 |
| 1132601                  | 0,735               | 16        | 1.2       | 8         | 55        | 30        | 2,5               |
| 580610498                | 0,600               | 14,5      | 1         | 7.2       | 64.5      | 42        | 2                 |
| 580610497                | 0,750               | 14,5      | 1         | 7.2       | 94.5      | 72        | 2                 |

**USZCZELKI POROWATE - SPONGE RUBBER STRIPS**

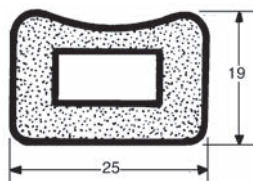
 E.P.D.M, czarna, komórkowa, uszczelniająca,  
 25% ściśnięcia = 4,9 N/cm<sup>2</sup>,  
 55% ściśnięcia = 11,2 N/cm<sup>2</sup>.  
*Black closed cell E.P.D.M. in rolls,  
 25% compression = 4,9 N/cm<sup>2</sup>,  
 55% compression = 11,2 N/cm<sup>2</sup>.*

| Nr katalog.<br>Reference | E<br>(mm) | L<br>(mm) | Długość<br>Length |
|--------------------------|-----------|-----------|-------------------|
| 1132441EC                | 15        | 25        | 50                |
| 1132441ED                | 20        | 25        | 50                |
| 1132441FD                | 20        | 30        | 50                |
| 1132441HD                | 20        | 40        | 50                |
| 1132441HE                | 25        | 40        | 50                |
| 1132441FF                | 30        | 30        | 50                |
| 1132441HF                | 30        | 40        | 50                |


 Uszczelka samoprzylepnajednostronna,  
 E.P.D.M, czarna, komórkowa, uszczelniająca  
 25% ściśnięcia = 4,9 N/cm<sup>2</sup>,  
 55% ściśnięcia = 11,2 N/cm<sup>2</sup>.  
*Black closed cell E.P.D.M. with self adhesive  
 backing 25% compression = 4,9 N/cm<sup>2</sup>,  
 55% compression = 11,2 N/cm<sup>2</sup>.*

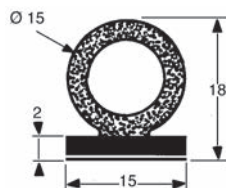
| Nr katalog.<br>Reference | E<br>(mm) | L<br>(mm) | Długość<br>Length |
|--------------------------|-----------|-----------|-------------------|
| 1132442BB                | 10        | 10        | 50                |
| 1132442CA                | 5         | 15        | 50                |
| 1132442CB                | 10        | 15        | 50                |
| 1132442CC                | 15        | 15        | 50                |
| 1132442CF                | 3         | 15        | 50                |
| 1132442CM                | 8         | 15        | 50                |
| 1132442DA                | 5         | 20        | 50                |
| 1132442DB                | 10        | 20        | 50                |
| 1132442DC                | 15        | 20        | 50                |
| 1132442DD                | 20        | 20        | 50                |
| 1132442DF                | 3         | 20        | 50                |
| 1132442DM                | 8         | 20        | 50                |
| 1132442EA                | 5         | 25        | 50                |
| 1132442EC                | 15        | 25        | 50                |
| 1132442FA                | 5         | 30        | 50                |
| 1132442BA                | 5         | 10        | 50                |
| 1132442HA                | 5         | 40        | 50                |
| 1132442LA                | 5         | 70        | 50                |
| 1132442EB                | 10        | 25        | 50                |
| 1132442FB                | 10        | 30        | 50                |
| 1132442FC                | 15        | 30        | 50                |

USZCZELKI POROWATE - *SPONGE RUBBER STRIPS*



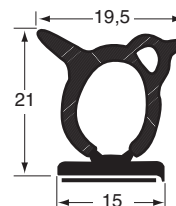
E.P.D.M. czarny.  
*Black E.P.D.M.*

| Nr katalog.<br>Reference | Długość<br>Length |
|--------------------------|-------------------|
| 1103225                  | 25                |



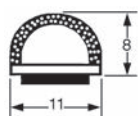
Profil z powierzchnią samoprzylepną,  
E.P.D.M. podwójnej twardości, czarny.  
*Dual-hardness black E.P.D.M. self adhesive.*

| Nr katalog.<br>Reference | Długość<br>Length |
|--------------------------|-------------------|
| 1103221                  | 50                |



Profil z powierzchnią samoprzylepną,  
E.P.D.M. podwójnej twardości, czarny.  
*Dual-hardness black E.P.D.M. self adhesive.*

| Nr katalog.<br>Reference | Długość<br>Length |
|--------------------------|-------------------|
| 1103226                  | 25                |



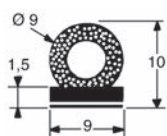
E.P.D.M. podwójnej twardości, czarny.  
*Dual-hardness black E.P.D.M. self adhesive.*

| Nr katalog.<br>Reference | Długość<br>Length |
|--------------------------|-------------------|
| 1103223                  | 100               |



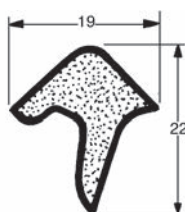
Uszczelki E.P.D.M., czarny.  
*Black E.P.D.M.*

| Nr katalog.<br>Reference | Ø  | Długość<br>Length |
|--------------------------|----|-------------------|
| 1103243B                 | 10 | 50                |
| 1103243C                 | 15 | 25                |
| 1103243K                 | 6  | 50                |



E.P.D.M. podwójnej twardości, czarny.  
*Dual-hardness black E.P.D.M. self adhesive.*

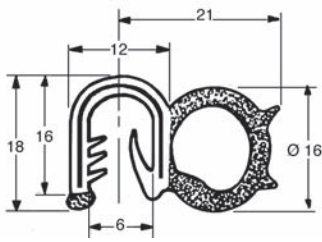
| Nr katalog.<br>Reference | Długość<br>Length |
|--------------------------|-------------------|
| 1103222                  | 100               |



Uszczelka S.B.R., czarny.  
*Black S.B.R.*

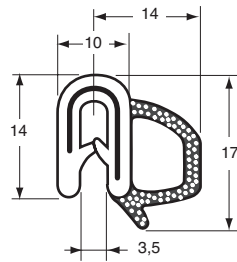
| Nr katalog.<br>Reference | Długość<br>Length |
|--------------------------|-------------------|
| 1131741                  | 25                |

**USZCZELKI PRZYCISKOWE - CLIP ON SEALS**



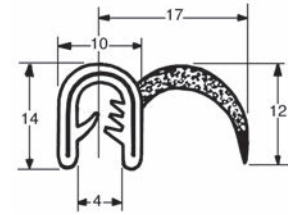
Rurka : E.P.D.M. komórkowy czarny - zacisk zbrojony : E.P.D.M. czarny.  
*Bulb : black closed cell E.P.D.M. - Armoured anchoring part : black E.P.D.M.*

| Nr katalog.<br>Reference | Długość<br>Length |
|--------------------------|-------------------|
| 1132580                  | 50                |



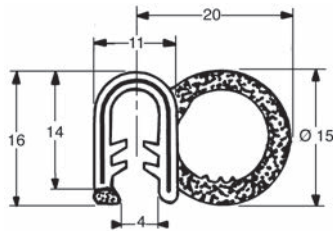
Rurka : E.P.D.M. komórkowy czarny - zacisk zbrojony : E.P.D.M. czarny.  
*Draught Excluder, bulb : black closed cell E.P.D.M. - Carrier : black E.P.D.M.*

| Nr katalog.<br>Reference | Długość<br>Length |
|--------------------------|-------------------|
| 1132588                  | 50                |



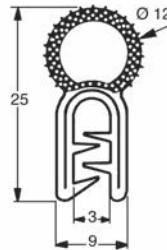
Warga : E.P.D.M. komórkowy czarny - zacisk zbrojony : E.P.D.M. czarny.  
*Draught Excluder, fins : black closed cell E.P.D.M. - Carrier : black E.P.D.M.*

| Nr katalog.<br>Reference | Długość<br>Length |
|--------------------------|-------------------|
| 1132585                  | 50                |



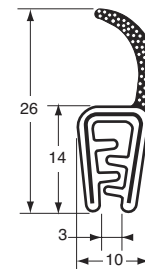
Rurka : E.P.D.M. komórkowy czarny - zacisk zbrojony : E.P.D.M. czarny.  
*Bulb : black closed cell E.P.D.M. - Armoured anchoring part : black E.P.D.M.*

| Nr katalog.<br>Reference | Długość<br>Length |
|--------------------------|-------------------|
| 1132581                  | 50                |



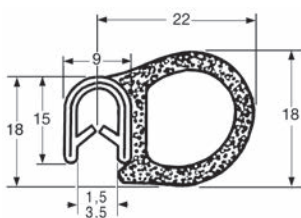
Rurka : E.P.D.M. komórkowy czarny - zacisk zbrojony : E.P.D.M. czarny.  
*Bulb : black closed cell E.P.D.M. - Armoured anchoring part : black E.P.D.M.*

| Nr katalog.<br>Reference | Długość<br>Length |
|--------------------------|-------------------|
| 1132579                  | 50                |



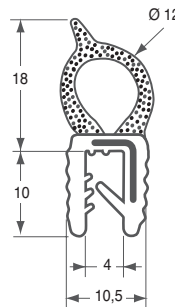
Warga : E.P.D.M. komórkowy czarny - zacisk zbrojony : E.P.D.M. czarny.  
*Lips : black closed cell E.P.D.M. - Armoured anchoring part : black E.P.D.M.*

| Nr katalog.<br>Reference | Długość<br>Length |
|--------------------------|-------------------|
| 1132594                  | 50                |



Rurka : E.P.D.M. komórkowy czarny - zacisk zbrojony : E.P.D.M. czarny.  
*Bulb : black closed cell E.P.D.M. - Armoured anchoring part : black E.P.D.M.*

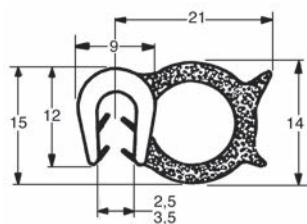
| Nr katalog.<br>Reference | Długość<br>Length |
|--------------------------|-------------------|
| 1132582                  | 50                |



Rurka : E.P.D.M. komórkowy czarny - zacisk zbrojony : E.P.D.M. czarny.  
*Bulb : black closed cell E.P.D.M. - Armoured anchoring part : black E.P.D.M.*

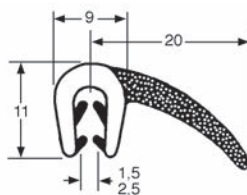
| Nr katalog.<br>Reference | Długość<br>Length |
|--------------------------|-------------------|
| 1132592                  | 50                |

USZCZELKI PRZYCISKOWE - **CLIP ON SEALS**



Rurka : E.P.D.M komórkowy czarny - zacisk : E.P.D.M. czarny.  
*Draught Excluder, bulb : black closed cell E.P.D.M. - Carrier : black E.P.D.M.*

| Nr katalog.<br>Reference | Długość<br>Length |
|--------------------------|-------------------|
| 1132596                  | 50                |



Warga : E.P.D.M. komórkowy czarny - zacisk : E.P.D.M. sztywny a wargi miękkie.  
*Draught Excluder, fins : black closed cell E.P.D.M. - Carrier : black E.P.D.M.*

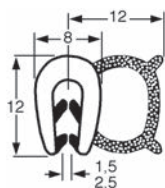
| Nr katalog.<br>Reference | Długość<br>Length |
|--------------------------|-------------------|
| 1132586                  | 50                |



Zacisk : E.P.D.M. sztywny z miękkimi wargami.  
*Edge trim, rigid E.P.D.M. and flexible lips.*

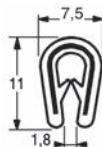
| Nr katalog.<br>Reference | Długość<br>Length |
|--------------------------|-------------------|
| 1132575                  | 100               |

10



Rurka : E.P.D.M komórkowy. czarny - zacisk : E.P.D.M. czarny.  
*Bulb : black closed cell E.P.D.M. - Anchoring part : black E.P.D.M.*

| Nr katalog.<br>Reference | Długość<br>Length |
|--------------------------|-------------------|
| 1132583                  | 100               |



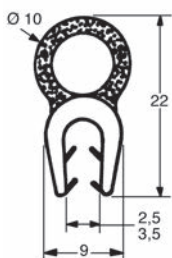
Zacisk PVC czarny.  
*Edge trim, black P.V.C.*

| Nr katalog.<br>Reference | Długość<br>Length |
|--------------------------|-------------------|
| 1132590                  | 50                |



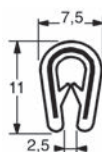
Zacisk : E.P.D.M. sztywny z miękkimi wargami.  
*Anchoring parts ; rigid E.P.D.M. and flexible lips.*

| Nr katalog.<br>Reference | Długość<br>Length |
|--------------------------|-------------------|
| 1132576                  | 50                |



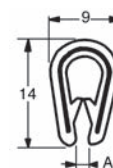
Rurka : E.P.D.M komórkowy. czarny - zacisk : E.P.D.M. czarny.  
*Bulb : black closed cell E.P.D.M. - Anchoring part : black E.P.D.M.*

| Nr katalog.<br>Reference | Długość<br>Length |
|--------------------------|-------------------|
| 1132597                  | 50                |



Zacisk : PCW, czarny.  
*Black P.V.C. clips.*

| Nr katalog.<br>Reference | Długość<br>Length |
|--------------------------|-------------------|
| 1132589                  | 50                |



Zacisk, PVC.  
*Edge trim, white P.V.C.*

| Nr katalog.<br>Reference | A     | Długość<br>Length | Kolor<br>Colour |
|--------------------------|-------|-------------------|-----------------|
| 1132599 BL               | 3     | 50                | Biały<br>White  |
| 1132599 GC               | 1,5-3 | 50                | Szary<br>Grey   |
| 1132599 NO               | 3     | 50                | Czarny<br>Black |



## ZAMKNIĘCIA I ZAMKI

Klamki, rygle, żabki, zamki, zaczep pokrywy

## CLOSURES AND LOCKS

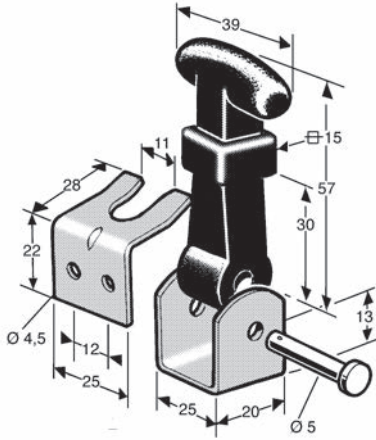
*Look handles, paddle handles, toggle fasteners, locks, bonnet fasteners*





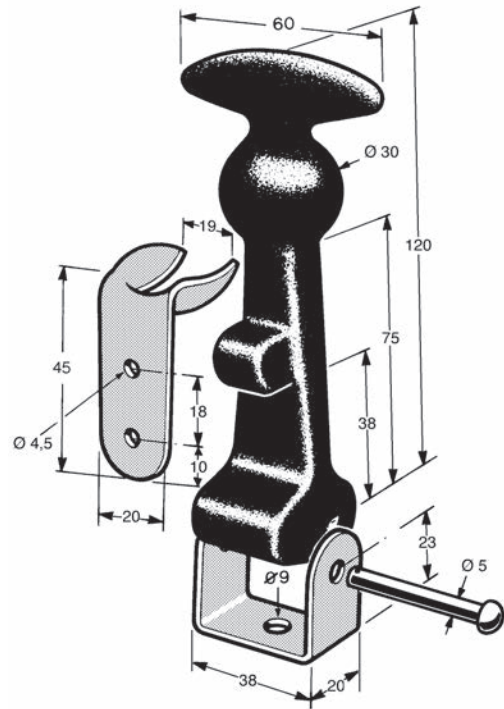


**ZACZEPY POKRYWY - BONNET FASTENERS**



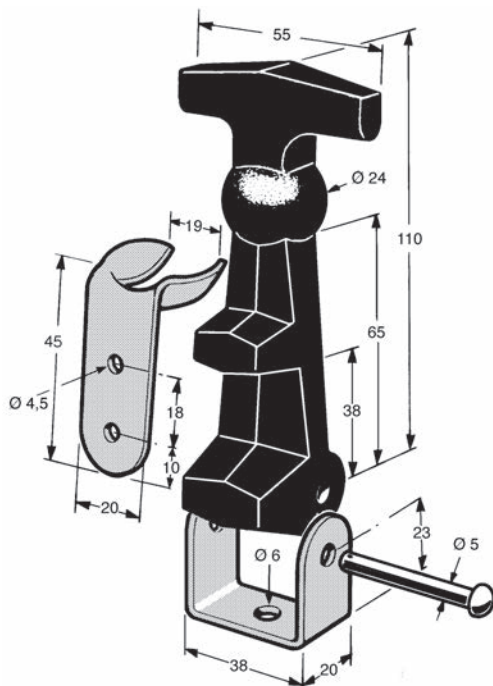
Zaczep pokrywy kompletny, stal cynkowana.  
*Zinc plated complete bonnet fastener.*

| Nr katalog.<br>Reference | Kg    |
|--------------------------|-------|
| 0936841                  | 0,053 |



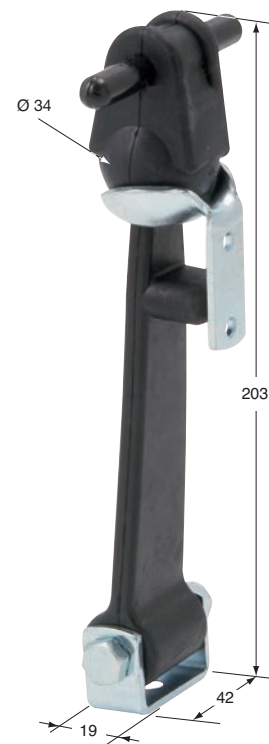
Zaczep pokrywy kompletny, stal cynkowana.  
*Zinc plated complete bonnet fastener.*

| Nr katalog.<br>Reference | Kg    |
|--------------------------|-------|
| 0903685                  | 0,135 |



Zaczep pokrywy kompletny.  
*Complete bonnet fastener.*

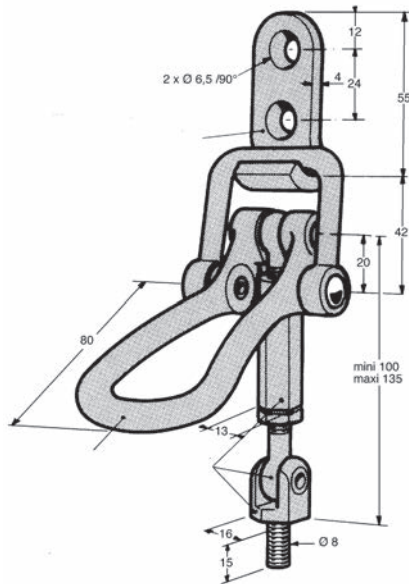
| Nr katalog.<br>Reference | Kg    | Zakończyć<br>Finish                |
|--------------------------|-------|------------------------------------|
| 0903684                  | 0,122 | Ocynkowana<br>Zinc plated          |
| 0903684IN                | 0,122 | Stal nierdzewna<br>Stainless steel |



Zaczep pokrywy kompletny, stal ocynkowana.  
*Zinc plated complete bonnet fastener.*

| Nr katalog.<br>Reference | Kg  |
|--------------------------|-----|
| 0903687                  | 0,2 |

ZACZEPY POKRYWY - **BONNET FASTENERS**

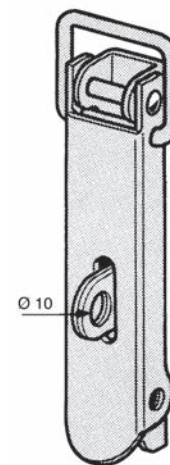
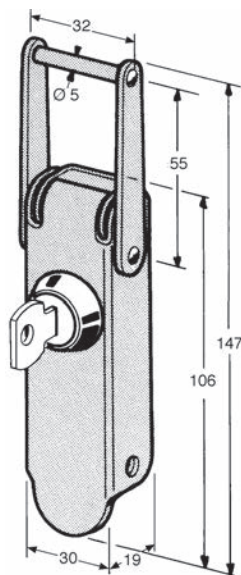


Zaczep pokrywy mimośrodowy.  
*Bonnet fastener with cam.*

| Nr katalog.<br>Reference | /Kg   |
|--------------------------|-------|
| 0937050                  | 0,285 |

11

ŻABKI I Haczyki - **TOGGLE FASTENERS AND HOOKS**



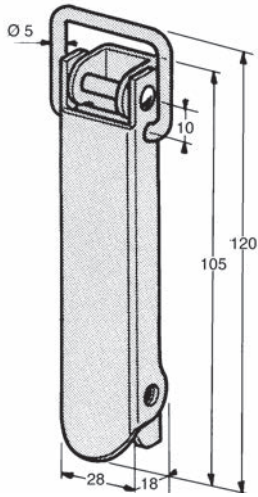
Żabka ze stali cynkowanej, z zamkiem na kluczyk, ucho ze stali nierdzewnej.  
*Steel toggle fastener with locking cylinder and stainless steel ring.*

| Nr katalog.<br>Reference | /Kg  | Zakończyć<br>Finish                |
|--------------------------|------|------------------------------------|
| 0944543IN                | 0,21 | Stal nierdzewna<br>Stainless steel |
| 0944543                  | 0,21 | Ocynkowana<br>Zinc plated          |

Żabka. Wymiary takie same jak w 0904454.  
*Toggle fastener. Identical dimensions as 0904454.*

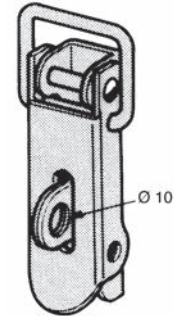
| Nr katalog.<br>Reference | /Kg  |     |
|--------------------------|------|-----|
| 0944540                  | 0,17 | 100 |

**ŻABKI I Haczyki - TOGGLE FASTENERS AND HOOKS**



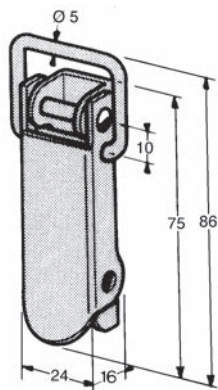
Żabka.  
Toggle fastener.

| Nr katalog.<br>Reference | Kg   |     |
|--------------------------|------|-----|
| 0904454                  | 0,14 | 100 |



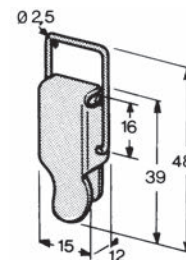
Żabka. Wymiary takie same jak w 0904453.  
Toggle fastener. Identical dimensions as 0904453.

| Nr katalog.<br>Reference | Kg   |     |
|--------------------------|------|-----|
| 0944530                  | 0,11 | 100 |



Żabka.  
Toggle fastener.

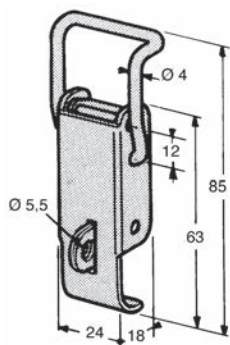
| Nr katalog.<br>Reference | Kg  |     |
|--------------------------|-----|-----|
| 0904453                  | 0,1 | 100 |



Żabka.  
Toggle fastener.

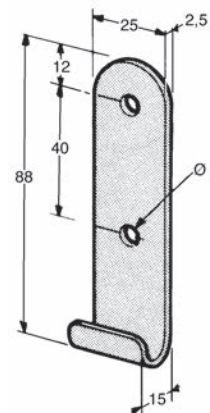
| Nr katalog.<br>Reference | Kg   |
|--------------------------|------|
| 0904452                  | 0,01 |

ŻABKI I HACZYKI - *TOGGLE FASTENERS AND HOOKS*



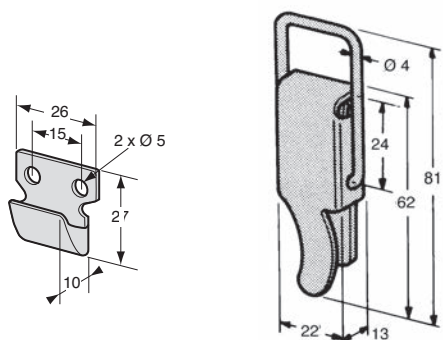
Żabka.  
*Toggle fastener.*

| Nr katalog.<br>Reference | Kg   |
|--------------------------|------|
| 0944521                  | 0,05 |



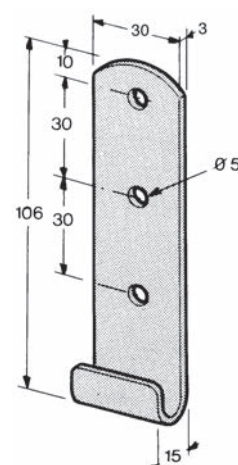
Hak prosty.  
*Hook.*

| Nr katalog.<br>Reference | Kg   |     |
|--------------------------|------|-----|
| 0944531                  | 0,05 | 100 |



Żabka z (\*) ouz bez haka (\*\*).  
*Steel toggle fastener with (\*) or without hook (\*\*).*

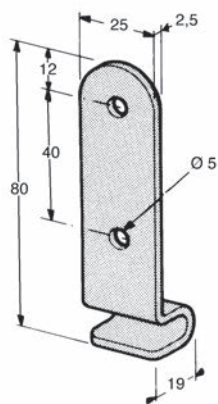
| Nr katalog.<br>Reference | Kg   | Typ | Zakończyć<br>Finish                |
|--------------------------|------|-----|------------------------------------|
| 0944520IN                | 0,05 | *   | Stal nierdzewna<br>Stainless steel |
| 0944520ZI                | 0,05 | **  | Ocynkowana<br>Zinc plated          |



Hak prosty.  
*Hook.*

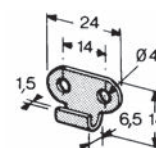
| Nr katalog.<br>Reference | Kg   |     |
|--------------------------|------|-----|
| 0944541                  | 0,09 | 100 |

**ŻABKI I Haczyki - TOGGLE FASTENERS AND HOOKS**



Hak boczny.  
Hook.

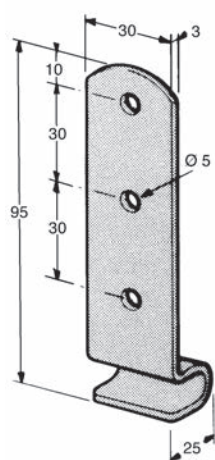
| Nr katalog.<br>Reference | Kg   |     |
|--------------------------|------|-----|
| 0944532                  | 0,06 | 100 |



Hak.  
Hook.

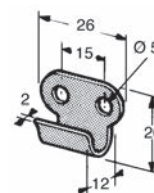
| Nr katalog.<br>Reference | Kg    |
|--------------------------|-------|
| 0944523                  | 0,005 |

11



Hak boczny.  
Hook.

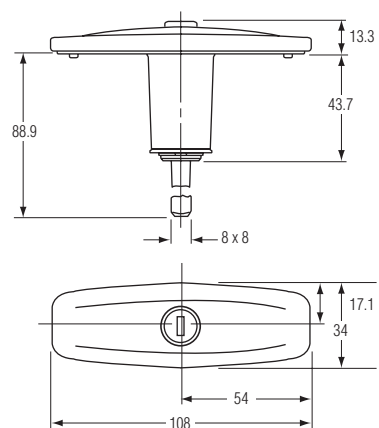
| Nr katalog.<br>Reference | Kg   |     |
|--------------------------|------|-----|
| 0944542                  | 0,09 | 100 |



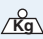
Hak.  
Hook.

| Nr katalog.<br>Reference | Kg    |
|--------------------------|-------|
| 0944522ZI                | 0,005 |

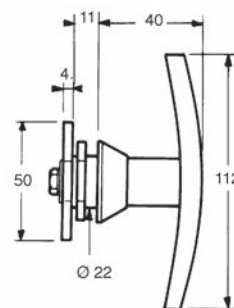
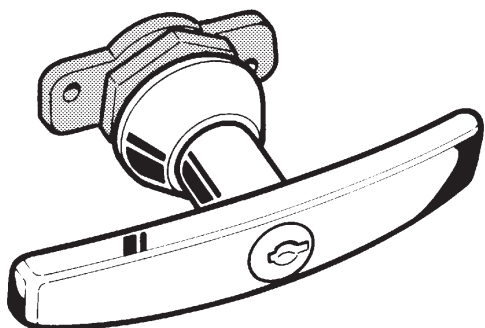
KLAMKI KLAMKI WEWNĘTRZNE - HANDLES AND INNER HANDLES




Rączka T, blokowana kluczykiem, stal lakierowana na czarno, uszczelka w komplecie.  
*Fluch mounted pop-up T handle, black powder coated, delivred with a rubber seal. various key.*

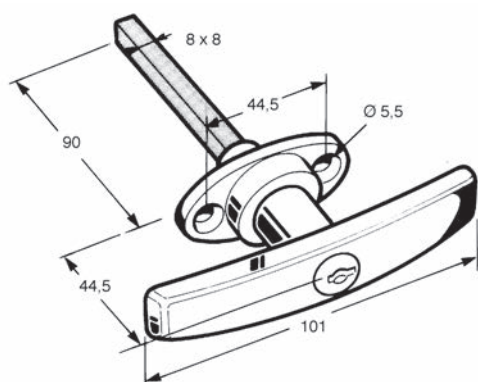
| Nr katalog.<br>Reference |  Kg | Obracanie<br>Rotation |
|--------------------------|--|-----------------------|
| 2311738-05               | 0,26   | 90°                   |

11




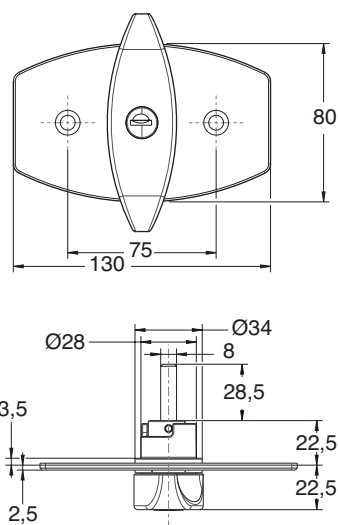
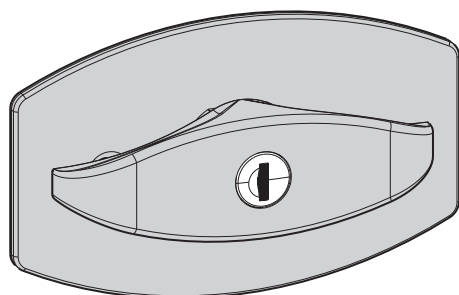
Klamka z chromowanego zalu z kluczykiem.  
*Chrome plated zinc alloy locking handle.*

| Nr katalog.<br>Reference |  Kg | Obracanie<br>Rotation |
|--------------------------|--|-----------------------|
| 1839962                  | 0,23   | 90°                   |

**KLAMKI KLAMKI WEWNĘTRZNE - HANDLES AND INNER HANDLES**



Klamka z chromowanego cynku, z różnymi kombinacjami iv(\*), takie same kluczyki (\*\*).  
 Chrome plated zinc alloy locking handle, with various keys (\*), same keys (\*\*).

| Nr katalog.<br>Reference |  Kg | Obracanie<br>Rotation | Typ<br>Type |
|--------------------------|--|-----------------------|-------------|
| 1841101CV                | 0,245  | 360°                  | *           |
| 1841101MN                | 0,245  | 360°                  | **          |



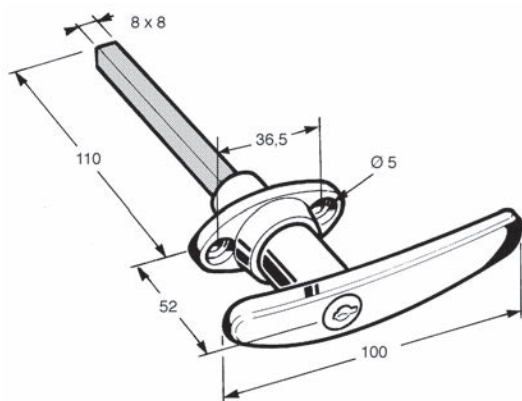
Klamka 1/4 obrotu w prawo, z różnymi kombinacjami (\*) lub z jednym numerem (\*\*).

Stainless steel plate and handle zamak locking handle, 1/4 turn right, with various key combinations (\*) or same key (\*\*).


| Nr katalog.<br>Reference |  Kg | Obracanie<br>Rotation | Typ<br>Type | Zakończyć<br>Finish                     |
|--------------------------|--|-----------------------|-------------|---|
| 1840140CV                | 0,25   | 90°                   | *           | Inox & zamak<br>Stainless steel & zamak |
| 1840140MN                | 0,25   | 90°                   | **          | Inox & zamak<br>Stainless steel & zamak |



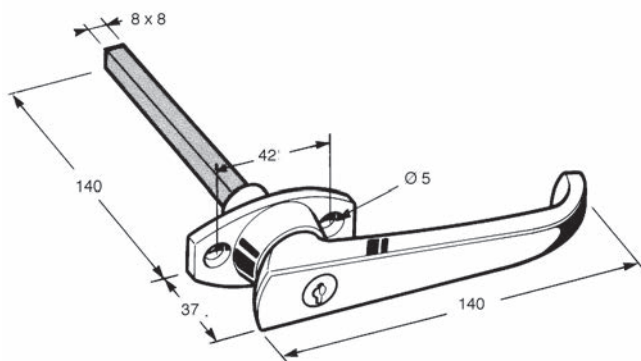
KLAMKI KLAMKI WEWNĘTRZNE - *HANDLES AND INNER HANDLES*



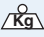
Klamka z chromowanego cynku z kluczykiem.  
*Chrome plated zinc alloy locking handle.*

| Nr katalog.<br><i>Reference</i> |  <i>Kg</i> | Obracanie<br><i>Rotation</i> |
|---------------------------------|---|------------------------------|
| 1840051                         | 0,28  | 360°                         |

11

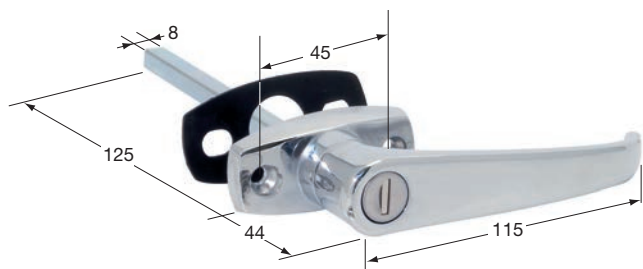


Klamka z chromowanego cynku, z kluczykiem.  
*Chrome plated zinc alloy locking handle.*


| Nr katalog.<br><i>Reference</i> |  <i>Kg</i> | Obracanie<br><i>Rotation</i> |
|---------------------------------|---|------------------------------|
| 1940011                         | 0,38  | 360°                         |

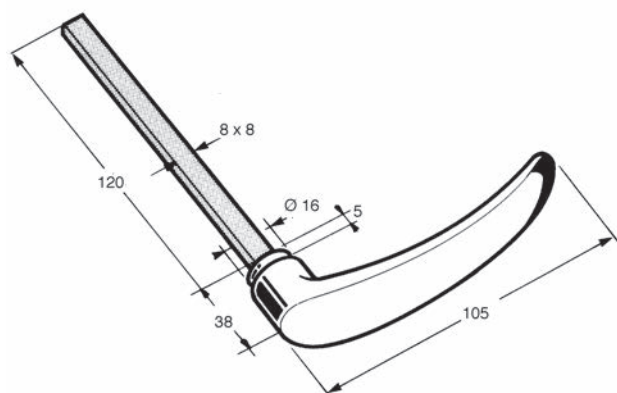


**KLAMKI KLAMKI WEWNĘTRZNE - HANDLES AND INNER HANDLES**




Klamka z chromowanego miedzi z (\*\*) lub bez zamka (\*).  
*Chrome plated handle with (\*\*) or without lock (\*).*

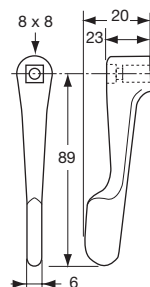
| Nr katalog.<br>Reference |  Kg | Obracanie<br>Rotation | Typ<br>Type |
|--------------------------|--|-----------------------|-------------|
| 1804002                  | 0,295  | 180°                  | *           |
| 1804003                  | 0,292  | 180°                  | **          |



Klamka z chromowanego cynku.  
*Chrome plated zinc alloy locking handle.*

| Nr katalog.<br>Reference |  Kg |
|--------------------------|--|
| 1839980                  | 0,2  |

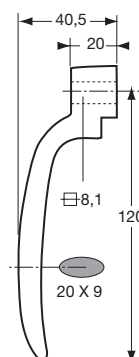
**KLAMKI KLAMKI WEWNĘTRZNE - HANDLES AND INNER HANDLES**



Klamka wewnętrzna, mosiądz chromowany.  
*Chrome plated brass inside handle.*

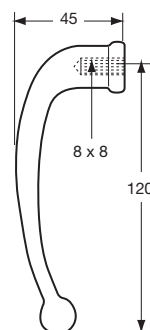
| Nr katalog.<br>Reference | Kg   |
|--------------------------|------|
| 1840291                  | 0,09 |

11



Klamka wewnętrzna, żal chromowany.  
*Chrome plated zinc alloy inside handle.*

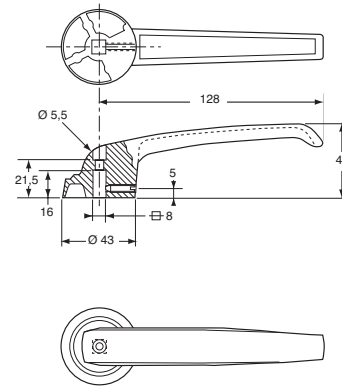
| Nr katalog.<br>Reference | Kg    |
|--------------------------|-------|
| 1804018                  | 0,145 |



Klamka wewnętrzna z rączką zakończoną kulą, żal chromowany.  
*Chrome plated zinc alloy inside handle.*

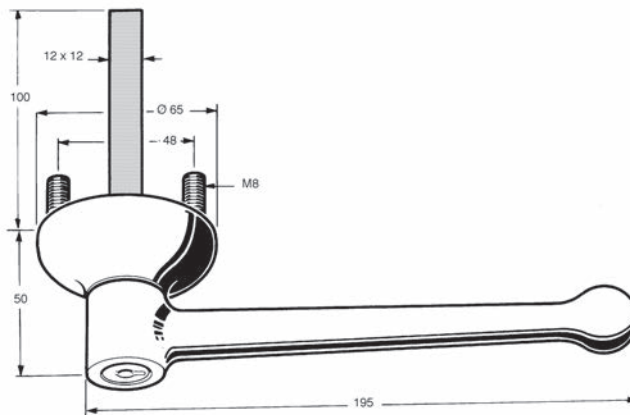
| Nr katalog.<br>Reference | Kg   |
|--------------------------|------|
| 1804015                  | 0,17 |

**KLAMKI KLAMKI WEWNĘTRZNE - HANDLES AND INNER HANDLES**



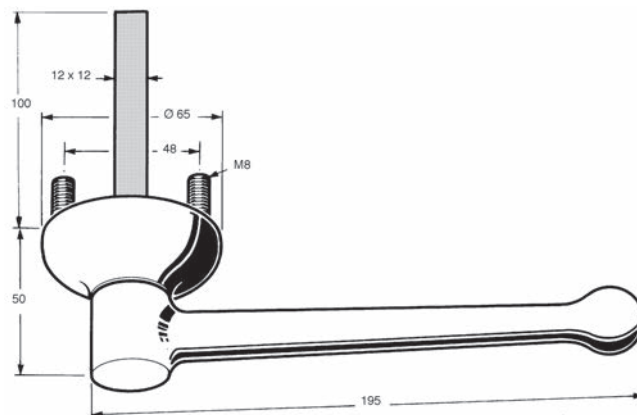
Klamka ze znanu, lakierowana lakierem epoksydowym na czarno.  
*Black epoxy zinc alloy inside handle.*

| Nr katalog.<br>Reference | Kg  |
|--------------------------|-----|
| 1804020                  | 0,2 |



Uchwyt z chromowanego miedzi z blokowaniem, 2 kluczyki różne kombinacje (\*) lub takie same (\*\*\*). Sam bębenek (\*\*).  
*Chrome plated brass locking handle with two keys various combinations (\*) or identical (\*\*\*). Barrel only (\*\*).*

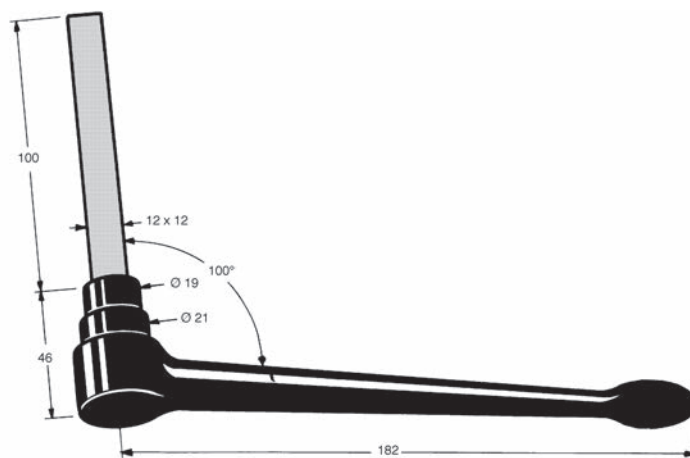
| Nr katalog.<br>Reference | Kg    | Typ<br>Type | Dla<br>For |
|--------------------------|-------|-------------|------------|
| 2344373                  | 0,76  | *           |            |
| 2344373BA                | 0,035 | **          | 2344373    |
| 2344373MN                | 0,76  | ***         |            |



Pokrętko, bez zamka, miedź chromowana.  
*Chrome plated brass non locking handle.*

| Nr katalog.<br>Reference | Kg   |
|--------------------------|------|
| 2344374                  | 0,76 |

KLAMKI KLAMKI WEWNĘTRZNE - *HANDLES AND INNER HANDLES*



Pokrętko, mosiądz lakierowany na czarno.  
*Black enameled handle.*

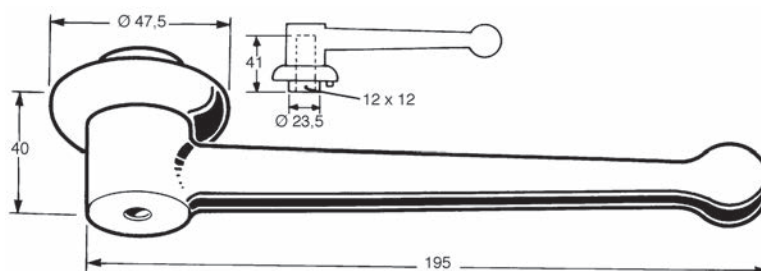
Nr katalog.  
*Reference*



2344372

4,52

11



Pokrętko wewnętrzne z mosiądzu, chromowane.  
*Chrome plated brass inside handle.*

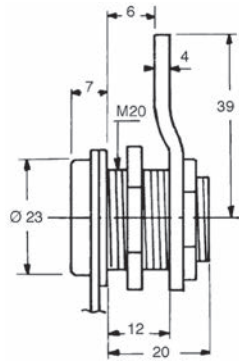
Nr katalog.  
*Reference*



2344378


0,49

ZAMKI Z ŁAPKA DOCISKOWĄ I OSŁONY - *COMPARTMENT LOCKS AND LOCK COVERS*

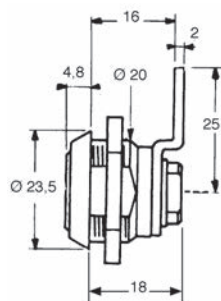


Zamek na ćwierć obrotu, z kluczykiem nr. 101, docisk max. 6 mm.

*Quarter turn lock with key number 101, max : 6 mm.*

Nr katalog.   
Reference

2104263CV 0,09

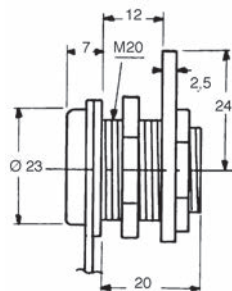


Zamek z półobrotem, z różnymi numerami kluczyków, dociąganie maksimum 6 mm.

*Half turn lock with same key number, max : 6 mm.*


Nr katalog.   
Reference

2104253MN 0,09

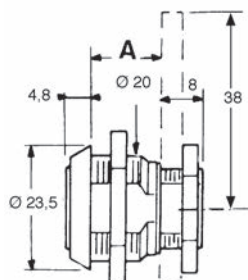
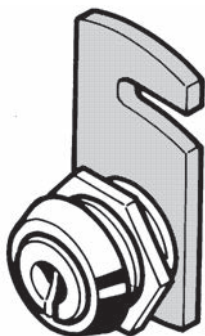


Zamek z ćwierćobrotem, z różnymi numerami kluczyka, dociąganie maksimum 6 mm.

*Quarter turn lock with various key combinations max : 6 mm.*

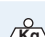
Nr katalog.   
Reference

2104261CV 0,075

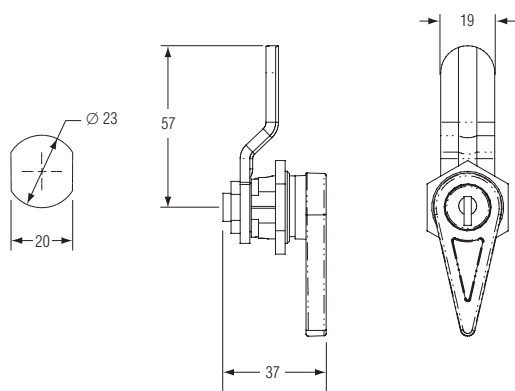


Zamek z półobrotem, z różnymi kombinacjami (\*\*\*) lub taka sama (\*).

*Half turn lock with various combinations keys (\*\*\*) or identical (\*).*

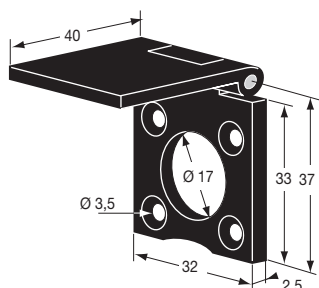
| Nr katalog.<br>Reference |  | A<br>(mm) | E max.<br>(mm) | Obracanie<br>Rotation | Typ<br>Type |
|--------------------------|---|-----------|----------------|-----------------------|-------------|
| 2104254MN                | 0,09  | 13,2      | 6              | 180°                  | *           |
| 2104255MN                | 0,095   | 19,2      | 12             | 180°                  | *           |
| 2104256MN                | 0,1   | 32,2      | 28             | 180°                  | *           |

ZAMKI Z ŁAPKA DOCISKOWĄ I OSŁONY - *COMPARTMENT LOCKS AND LOCK COVERS*



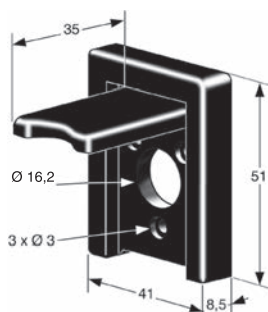
Zamek.  
*Light duty compartment latch.*

|                                 |       |
|---------------------------------|-------|
| Nr katalog.<br><i>Reference</i> |       |
| 2312043-01                      | 0,118 |



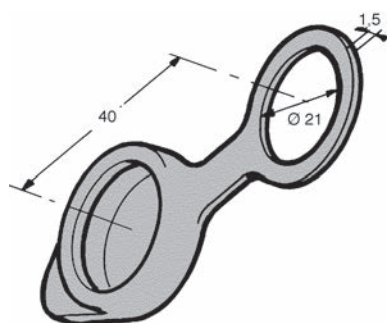
Oslona, aluminium, czarny lakier epoksydowy.  
*Black epoxy aluminium escutcheon.*

|                                 |      |
|---------------------------------|------|
| Nr katalog.<br><i>Reference</i> |      |
| 1804060                         | 0,02 |



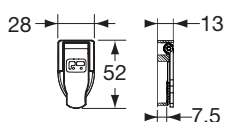
Oslona, czarny plastik z osią i sprężyną ze stali nierdzewnej.  
*Black plastic cover with stainless steel pin and spring.*

|                                 |      |
|---------------------------------|------|
| Nr katalog.<br><i>Reference</i> |      |
| 1904063                         | 0,02 |



Przykrywka pojedyncza z szarego polietylenu.  
*Grey polyethylene cap only.*

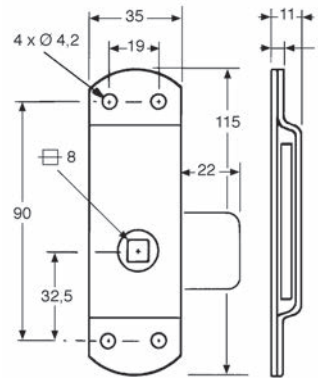
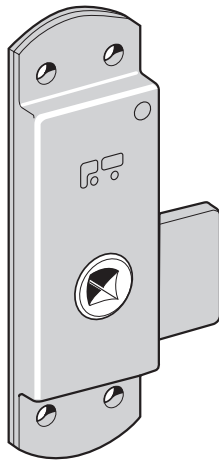
|                                 |       |
|---------------------------------|-------|
| Nr katalog.<br><i>Reference</i> |       |
| 2104262                         | 0,003 |



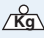
Oslona bębna zamka plastikowa ze sprężyną, dla bębna typu europejskiego.  
*Plastic lock cover for european barrels.*

|                                 |       |
|---------------------------------|-------|
| Nr katalog.<br><i>Reference</i> |       |
| 1904064                         | 0,010 |

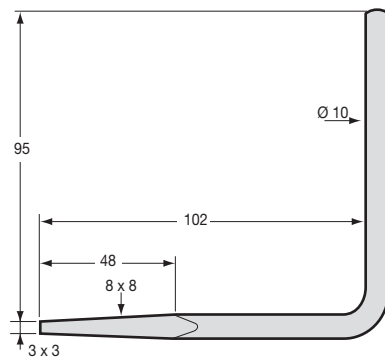
**ZASUWKI I KLUCZE - LOCKS AND KEYS**




Zasuwka. Rysunek przedstawia stronę prawą.  
*Latch. The image represents the righthand side.*

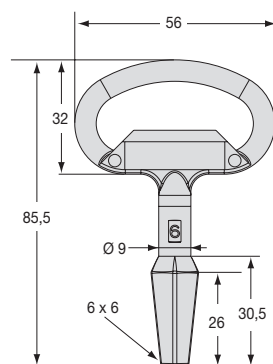
| Nr katalog.<br>Reference |  Kg | Zakończyć<br>Finish                            | Strona<br>Hand |
|--------------------------|--|--|----------------|
| 2104325DR                | 0,18   | Stal ocynkowana i chromianowana<br>Zinc plated | Prawa<br>Right |
| 2104325GA                | 0,18   | Stal ocynkowana i chromianowana<br>Zinc plated | Lewa<br>Left   |
| 2104325ID                | 0,18   | Stal nierdzewna<br>Stainless steel             | Prawa<br>Right |
| 2104325IG                | 0,18   | Stal nierdzewna<br>Stainless steel             | Lewa<br>Left   |

**11**




Klucz ze stali cynkowanej.  
*Zinc plated steel key.*

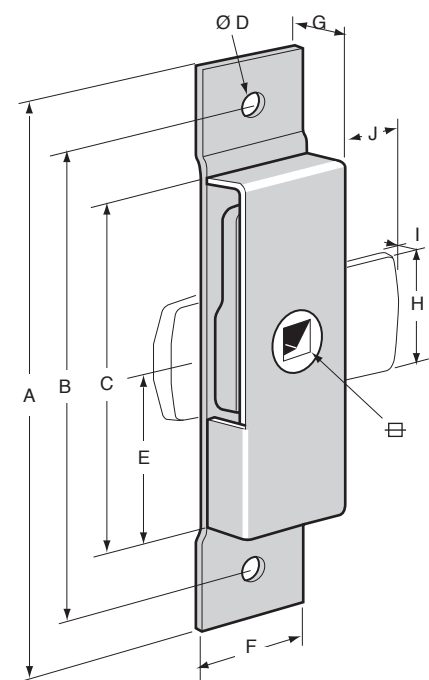
| Nr katalog.<br>Reference |  Kg |
|--------------------------|--|
| 2143321                  | 0,11   |



Klucz, stal ocynkowana.  
*Zinc plated steel key.*

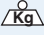

| Nr katalog.<br>Reference |  Kg |
|--------------------------|--|
| 2104333                  | 0,05   |

ZASUWKI I KLUCZE - LOCKS AND KEYS



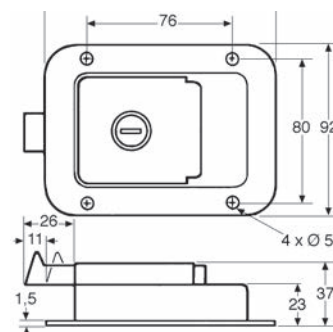
Zasuwka.  
Latch.

11

| Nr katalog.<br>Reference |  Kg | A<br>(mm) | B<br>(mm) | C<br>(mm) | Ø D<br>(mm) | E<br>(mm) | F<br>(mm) | G<br>(mm) | H<br>(mm) |  (mm) | I<br>(mm) | J<br>(mm) | Zakończyć<br>Finish                            |
|--------------------------|--|-----------|-----------|-----------|-------------|-----------|-----------|-----------|-----------|--|-----------|-----------|--|
| 2143281                  | 0,085  | 105       | 86        | 66        | 5           | 37        | 19        | 11        | 17        | 8  | 5         | 16        | Stal ocynkowana i chromianowana<br>Zinc plated |
| 2143281IN                | 0,085  | 105       | 86        | 66        | 5           | 37        | 19        | 11        | 17        | 8  | 5         | 16        | Stal nierdzewna<br>Stainless steel             |
| 2143282                  | 0,17   | 125       | 102       | 77        | 5           | 39        | 28        | 13        | 25        | 8  | 6         | 18        | Stal ocynkowana i chromianowana<br>Zinc plated |
| 2143282IN                | 0,17   | 125       | 102       | 77        | 5           | 39        | 28        | 13        | 25        | 8  | 6         | 18        | Stal nierdzewna<br>Stainless steel             |
| 2143283                  | 0,15   | 115       | 94        | 71        | 5           | 38        | 22        | 11        | 21        | 8  | 5         | 16        | Stal ocynkowana i chromianowana<br>Zinc plated |




ZAMKI DO SKRZYŃ - *PADDLE LOCKS*

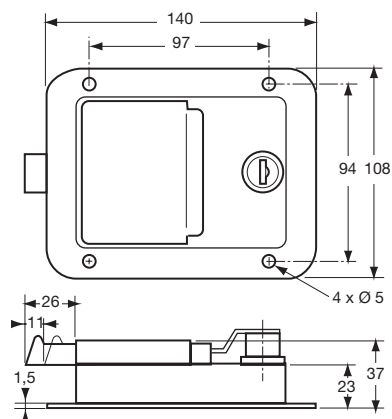


Zamek schowka, zamykany kluczykiem, stal nierdzewna, rygiel ze aluminium.  
*Paddle handle, locking, aluminium bolt.*

Furgocar  
ZAMEK OBLIŻYTY


| Nr katalog.<br>Reference |  Kg | Typ<br>Type | Zakończyć<br>Finish                |
|--------------------------|--|-------------|------------------------------------|
| 027503830                | 0,435  | -           | Stal nierdzewna<br>Stainless steel |
| 027510444                | 0,435  | -           | Ocynkowana<br>Zinc plated          |
| 027503830C               | 0,440  | CH-503      | Stal nierdzewna<br>Stainless steel |

11

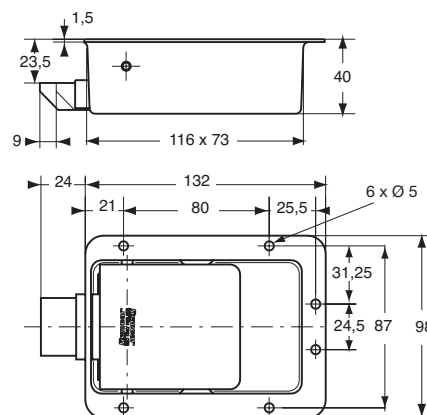


Zamek schowka, stal nierdzewna, zamykany kluczykiem, rygiel z aluminium.  
*Paddle handle, locking, zinc plated steel bolt.*

Furgocar  
ZAMEK OBLIŻYTY

| Nr katalog.<br>Reference |  Kg | Typ<br>Type | Zakończyć<br>Finish                |
|--------------------------|--|-------------|------------------------------------|
| 027503832                | 0,530  | -           | Stal nierdzewna<br>Stainless steel |
| 027503832A               | 0,530  | CH-501      | Stal nierdzewna<br>Stainless steel |
| 027503832B               | 0,530  | CH-502      | Stal nierdzewna<br>Stainless steel |

ZAMKI DO SKRZYŃ - PADDLE LOCKS

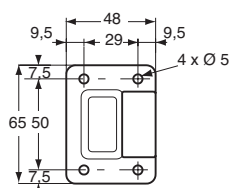


Zamek schowka, ze stali nierdzewnej z zaczepem. Wersja standardowa (\*) lub z zamkiem i kluczykiem (\*\*).  
Stainless steel paddle handle, with keeper. Standard version (\*) or with key lock (\*\*).



| Nr katalog.<br>Reference | Kg   | Typ<br>Type |
|--------------------------|------|-------------|
| 027503130                | 0,57 | *           |
| 027503140                | 0,57 | **          |

11

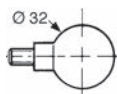


Gniazdo rygla ze stali nierdzewnej, do zamków 027503130/03140.

Stainless steel keeper for 027503130/03140 locks.



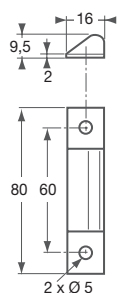
| Nr katalog.<br>Reference | Kg   |
|--------------------------|------|
| S20313004                | 0,12 |



Uchwyt do wewnętrznego odblokowywania, do zamka 027503832.

Stainless steel keeper for 027503832 lock.

| Nr katalog.<br>Reference | Kg   |
|--------------------------|------|
| 027503833                | 0,03 |



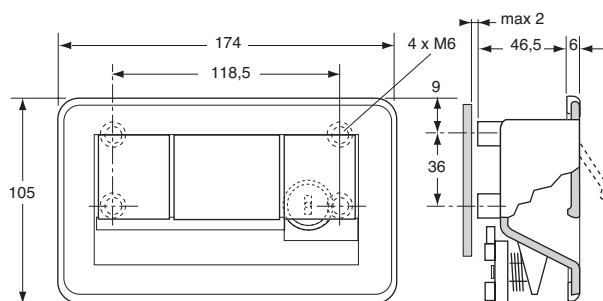
Zaczep ze stali nierdzewnej, do zamków 027503830/03832.

Stainless steel keeper for 027503830/03832 locks.




| Nr katalog.<br>Reference | Kg   |
|--------------------------|------|
| S10313010                | 0,04 |

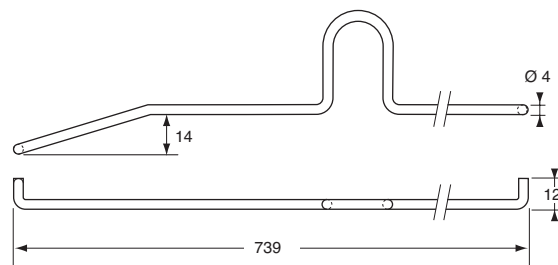
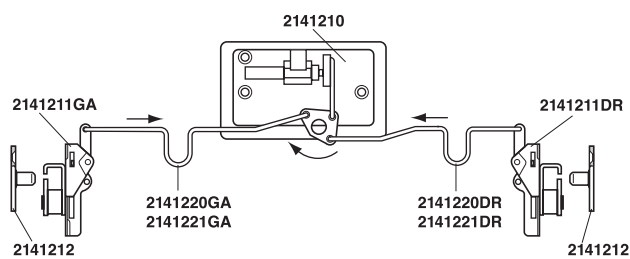
**ZAMKI DO SKRZYŃ - PADDLE LOCKS**



Zamek schowka, z czarnego poliamidu, z kluczykiem, dostarczony nie zamontowany.  
*Locking handle in black polyamid with locking cylinder, delivred not assembled.*

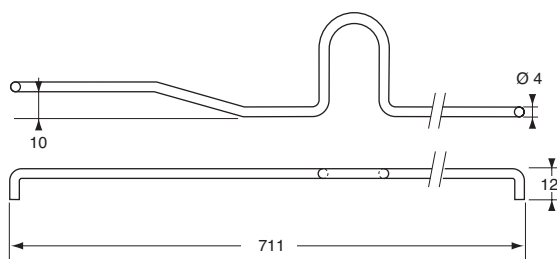
| Nr katalog.<br>Reference |  Kg |
|--------------------------|--|
| 2141210                  | 0,25   |

ZAMKI DO SKRZYŃ - *PADDLE LOCKS*



Cięgno ze stali nierdzewnej.  
*Stainless steel bar.*

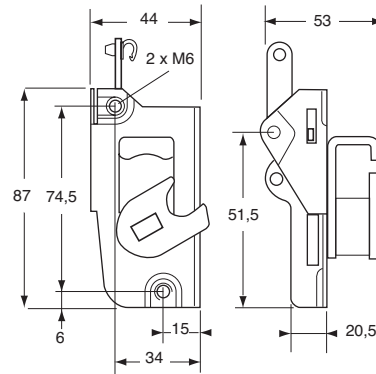
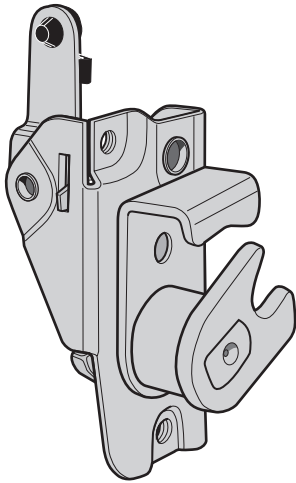
| Nr katalog.<br><i>Reference</i> | <i>Kg</i> | Długość<br><i>Length</i> | Strona<br><i>Hand</i> |
|---------------------------------|-----------|--------------------------|-----------------------|
| 2141220DR                       | 0,09      | 739 mm                   | Prawa<br><i>Right</i> |




Cięgno ze stali nierdzewnej.  
*Stainless steel bar.*

| Nr katalog.<br><i>Reference</i> | <i>Kg</i> | Długość<br><i>Length</i> | Strona<br><i>Hand</i> |
|---------------------------------|-----------|--------------------------|-----------------------|
| 2141220GA                       | 0,079     | 711 mm                   | Lewa<br><i>Left</i>   |

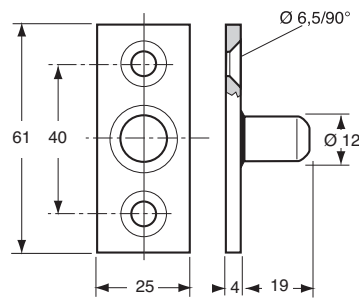
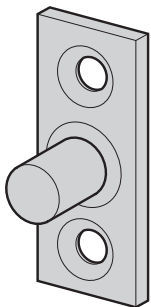
**ZAMKI DO SKRZYŃ - PADDLE LOCKS**



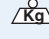
Zamek z rygłem, cynkowany. Rysunek przedstawia stronę prawą.  
*Zinc plated lock with hook. The image represents the righthand side.*

| Nr katalog.<br>Reference |  Kg | Strona<br>Hand |
|--------------------------|--|----------------|
| 2141211DR                | 0,35   | Prawa<br>Right |
| 2141211GA                | 0,35   | Lewa<br>Left   |

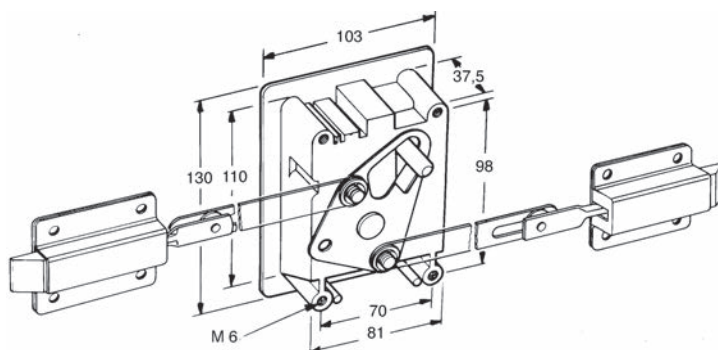
**11**



Zaczep stalowy, cynkowany.  
*Zinc plated steel keeper.*

| Nr katalog.<br>Reference |  Kg |
|--------------------------|--|
| 2141212                  | 0,1  |

ZAMKI DO SKRZYŃ - *PADDLE LOCKS*

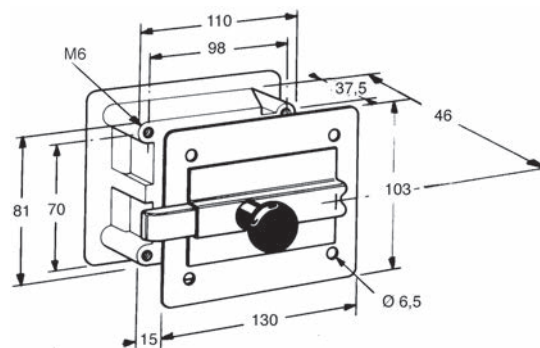


Zamek schowka na palety zamykany kluczykiem, różne kombinacje (\*) lub takie same (\*\*), z uszczelką gumową, pokryty czarną matową farbą epoksydową, bez cięgien i rygli.

*Paddle handle lock, key operated, various combination (\*) or identical (\*\*), with rubber gasket, black epoxy zinc alloy, without bars and end slams.*

| Nr katalog.<br>Reference | Kg    | Typ<br>Type |
|--------------------------|-------|-------------|
| 2141200                  | 0,685 | *           |
| 2141200MN                | 0,685 | **          |

11

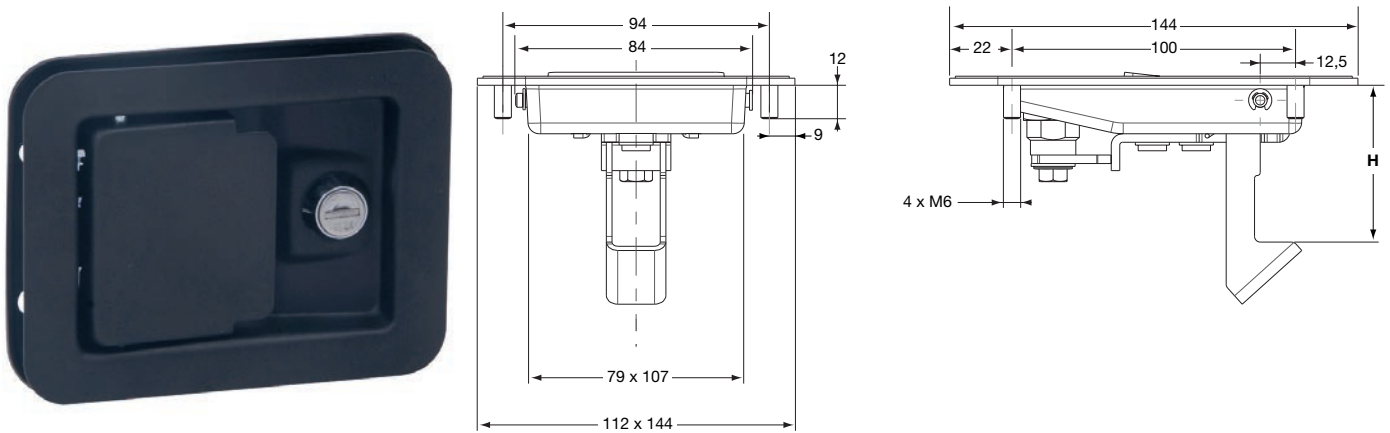


Zamek zamykany na kluczyk, różne kombinacje (\*) lub taka sama (\*\*), pokryty czarną, matową farbą epoksydową, z uszczelką gumową, płytką oporową i rygłem ze stali cynkowanej.



*Key operated lock, various combination (\*) or identical (\*\*), with rubber gasket, black epoxy zinc alloy, zinc plated rear plate and cam.*

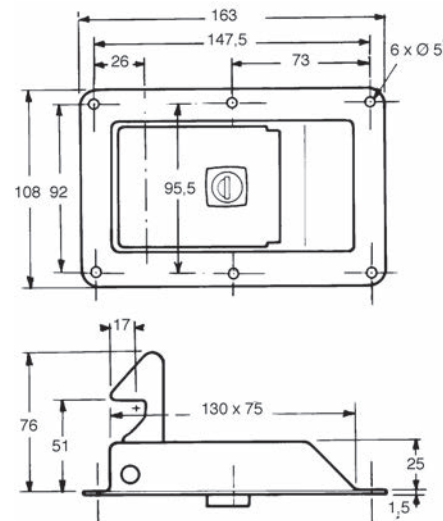
| Nr katalog.<br>Reference | Kg    | Typ<br>Type |
|--------------------------|-------|-------------|
| 2141201                  | 1,135 | *           |
| 2141201MN                | 1,135 | **          |

**ZAMKI DO SKRZYŃ - PADDLE LOCKS**




Zamek zapadkowy, zamknięcie na kluczyk 10 kombinacji, z uszczelką gumową, stal lakierowana metodą kateforezy, kolor czarny.  
*Paddle handle lock, lockable, 10 combination, with rubber gasket, black electrophoretic coated steel.*

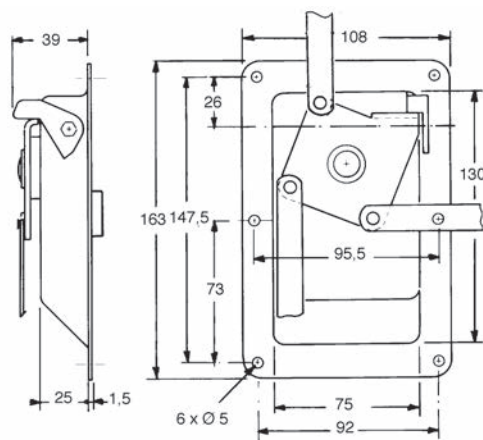
| Nr katalog.<br>Reference |  Kg | H<br>(mm) |  |
|--------------------------|--|-----------|---|
| 2141238                  | 0,47   | 30.5      | 4   |
| 2141239                  | 0,47   | 55        | 4   |



Zamek pokrywy z blokowaniem kluczykiem, stal pokryta farbą epoksydową czarną matową, hak z kutej stali cynkowanej i chromianowanej.  
*Key operated bonnet lock, black epoxy steel, bichromated forged steel hook.*

| Nr katalog.<br>Reference |  Kg |
|--------------------------|--|
| 2141203                  | 0,65   |

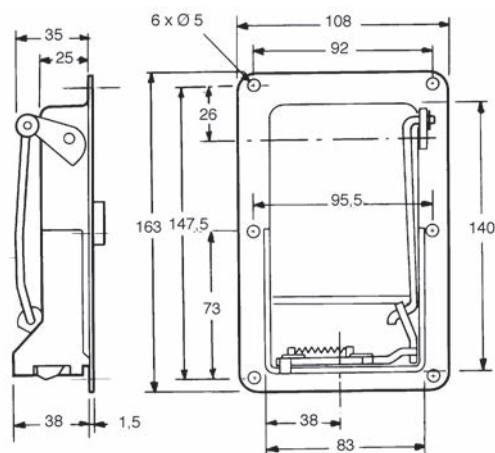
ZAMKI DO SKRZYŃ - *PADDLE LOCKS*



Klamka schowka na palety, zamykana kluczykiem, stalowa, malowana czarnym matowym lakierem epoksydowym, mechanizm ciągowy 3 punktowy.

*Paddle handle lock, key operated, black epoxy steel, for 3 way rods.*

| Nr katalog.<br>Reference | Kg   |
|--------------------------|------|
| 2141204                  | 0,69 |

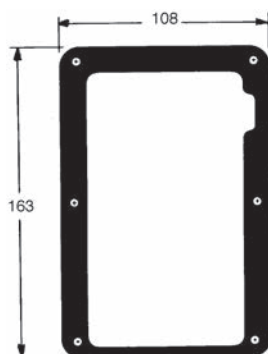


Klamka schowka na palety, zamykana kluczykiem, bez zaczepu, stalowa, malowana czarnym matowym lakierem epoksydowym.

*Paddle handle lock, key operated black epoxy steel.*

| Nr katalog.<br>Reference | Kg    |
|--------------------------|-------|
| 2141205                  | 0,775 |

11

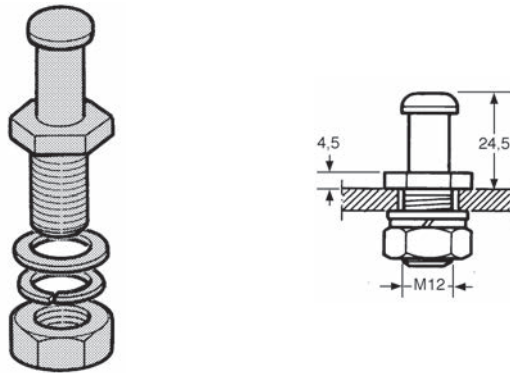


Uszczelka gumowa do 2141203, 2141204 oraz 2141205.  
*Rubber gasket for 2141203, 2141204 and 2141205.*

| Nr katalog.<br>Reference | Kg    |
|--------------------------|-------|
| 2141203JO                | 0,005 |

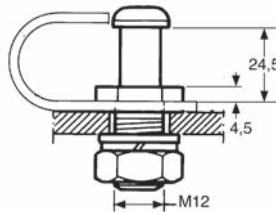
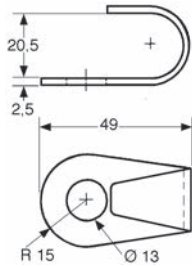
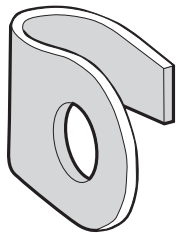


**ZAMKI DO SKRZYŃ - PADDLE LOCKS**



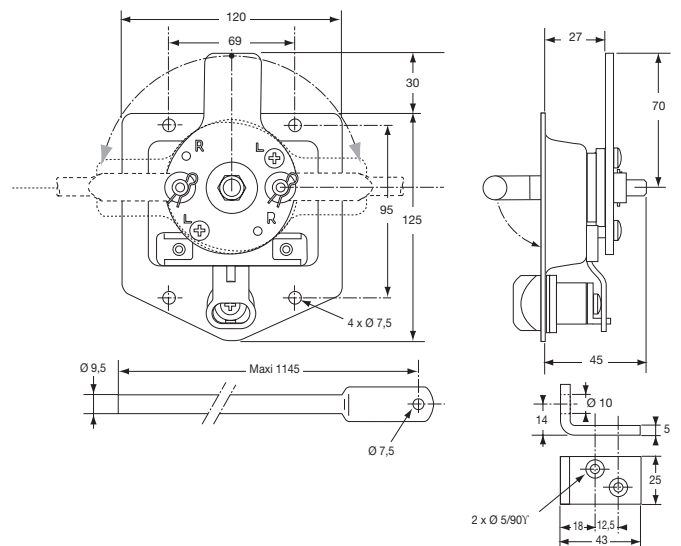
Zaczepek ze stali cynkowanej dla zamka 2141205 / 2141199.  
*Zinc plated steel keeper for lock 2141205 / 2141199.*

|                          |      |
|--------------------------|------|
| Nr katalog.<br>Reference |      |
| 2141205GA                | 0,07 |



Ośłona zaczepeu, stal.  
*Steel guard.*

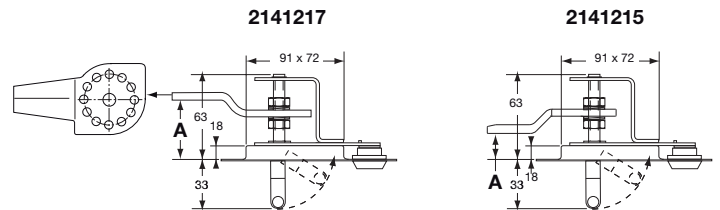
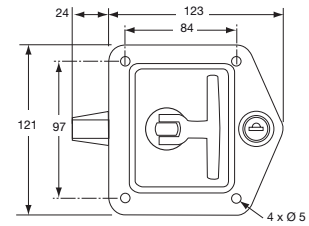
|                          |      |
|--------------------------|------|
| Nr katalog.<br>Reference |      |
| 2141205PR                | 0,03 |



Zamek schowka z kluczykiem, stal nierdzewna, różne kombinacje (\*) lub takie same (\*\*), mechanizm z 3 zasuwkami ze stali nierdzewnej z gumową uszczelką.  
*Stainless steel paddle lock, key operated, various combinations (\*) or identical (\*\*), zinc plated steel 3 points locked system, with rubber gasket.*

| Nr katalog.<br>Reference |      | Typ<br>Type |
|--------------------------|------|-------------|
| 2141218                  | 1,98 | *           |
| 2141218MN                | 1,98 | **          |

ZAMKI DO SKRZYŃ - *PADDLE LOCKS*



Zamek schowka a, ze stali nierdzewnej, zamykany kluczykiem, mechanizm z 3 zasuwkami ze stali cynkowanej. Ten sam klucz.  
*Stainless steel paddle lock, key operated zinc plated steel locked system. Same key number.*



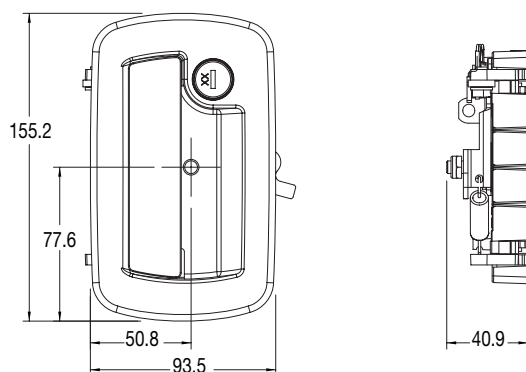
| Nr katalog.<br>Reference | Kg    | A min.<br>(mm) | A max.<br>(mm) |
|--------------------------|-------|----------------|----------------|
| 2141215                  | 0,565 | 22             | 39             |
| 2141217                  | 0,565 | 39             | 57             |

11



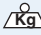
Bębenek zamka, chromowany dla 2141217.  
*Chrome plated locking cylinder for 2141217.*

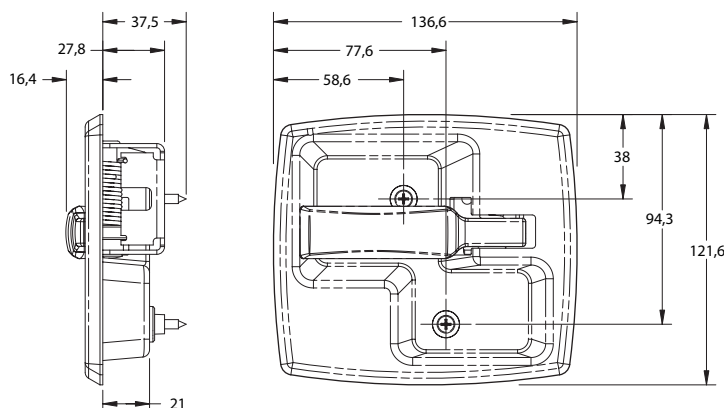
| Nr katalog.<br>Reference | Kg   |
|--------------------------|------|
| 2141217BA                | 0,07 |

**ZAMKI - LOCKING GEAR**


Zamek zapadkowy, dwupunktowy, zamknięcie na kluczyk, stal lakierowana na czarno. Uszczelka w komplecie. Do zamknięcia 2314498-01/ 2314499-01/ 2318610-01/ 2318611-01 i klamki wewnętrznej 2323016-02 / 2323015-02.


*Black powder coated 2 point paddle handle. Right hand barrel. Delivered with a rubber seal. for use with double rotor latch 2314498-01/2314499-01/2318610-01/2318611-01 and internal release 2323016-02 / 2323015-02.*

| Nr katalog.<br>Reference |  Kg | Strona<br>Hand |
|--------------------------|--|----------------|
| 2320599-05               | 0,72   | Prawa<br>Right |
| 2322672-03               | 0,72   | Lewa<br>Left   |

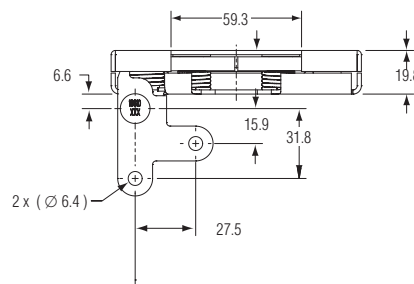
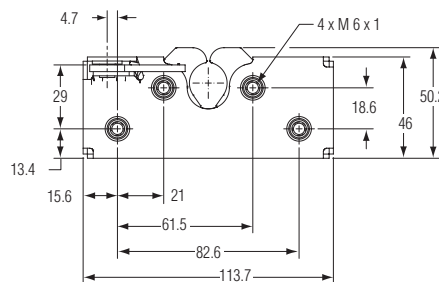
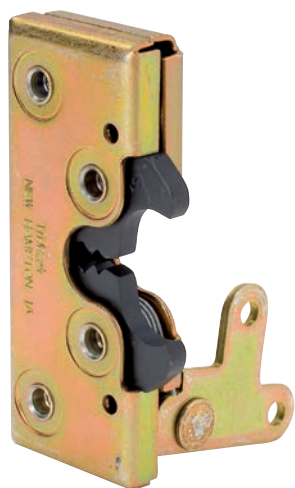
**11**


Rączka wewnętrzna, używana z zamkiem zapadkowym 2320599-05 / 2322672-03. Rysunek przedstawia stronę prawą.

*Inside release lever, left hand, For use with paddle handle 2320599-05 and 2322672-03. The image represents the righthand side.*

| Nr katalog.<br>Reference |  Kg | Strona<br>Hand |
|--------------------------|--|----------------|
| 2323015-02               | 0,435  | Lewa<br>Left   |
| 2323016-02               | 0,435  | Prawa<br>Right |

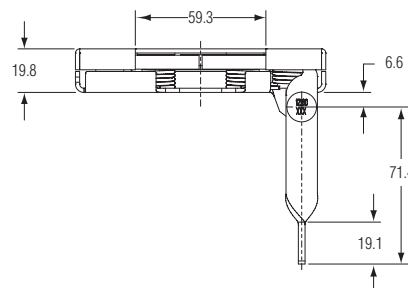
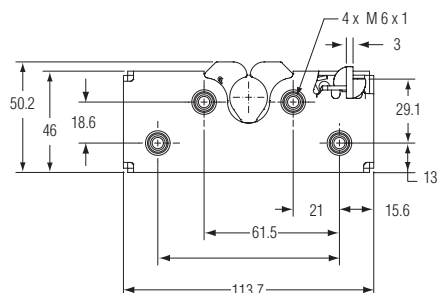
ZAMKI OBROTOWE I AKCESORIA - ROTOR LATCHES AND ACCESSORIES



Zamek obrotowy dwu-pozycyjny, do trzpienia Ø 17,15 mm 2311111-16. Rysunek przedstawia stronę lewą.  
Double rotor latch 2 position, for use with Ø 17,15 mm bolt 2311111-16. The image represents the lefthand side.

11

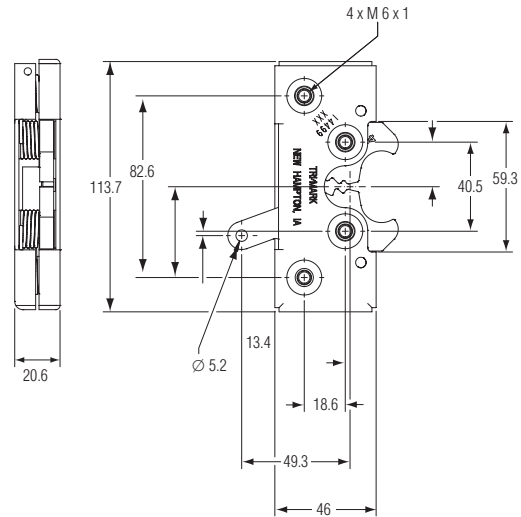
| Nr katalog.<br>Reference | Kg    | Strona<br>Hand |
|--------------------------|-------|----------------|
| 2318610-01               | 0,361 | Lewa<br>Left   |
| 2318611-01               | 0,361 | Prawa<br>Right |




Zamek obrotowy dwu-pozycyjny do trzpienia Ø 17,15 mm 2311111-16. Rysunek przedstawia stronę lewą.  
Left hand double rotor latch 2 positions To use with Ø 17,15 mm bolt 2311111-16. The image represents the lefthand side.

| Nr katalog.<br>Reference | Kg    | Strona<br>Hand |
|--------------------------|-------|----------------|
| 2312180-16               | 0,362 | Lewa<br>Left   |
| 2312181-16               | 0,362 | Prawa<br>Right |

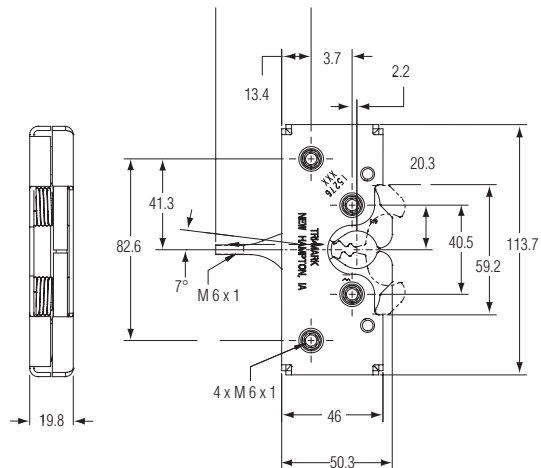
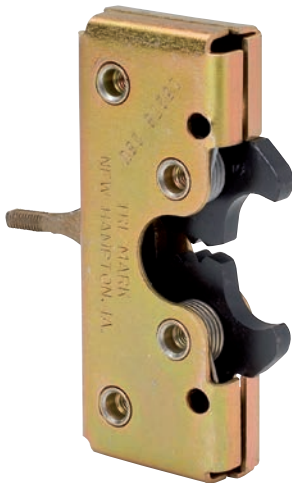
**ZAMKI OBROTOWE I AKCESORIA - ROTOR LATCHES AND ACCESSORIES**




Zamek obrotowy dwu-pozycyjny do trzpienia  $\varnothing$  17,15 mm 2311111-16. Rysunek przedstawia stronę lewą.  
*Double rotor latch 2 position, left hand for use with  $\varnothing$  17,15 mm bolt 2311111-16. The image represents the lefthand side.*

| Nr katalog.<br>Reference |  Kg | Strona<br>Hand |
|--------------------------|---|----------------|
| 2314498-01               | 0,361   | Lewa<br>Left   |
| 2314499-01               | 0,361   | Prawa<br>Right |

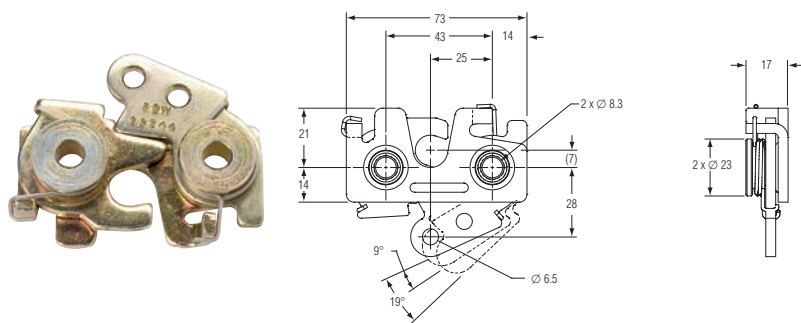
11



Zamek obrotowy dwu-pozycyjny, do trzpienia  $\varnothing$  17,15 mm 2311111-16.  
*Double rotor latch 2 position, for use with  $\varnothing$  17,15 mm bolt 2311111-16.*

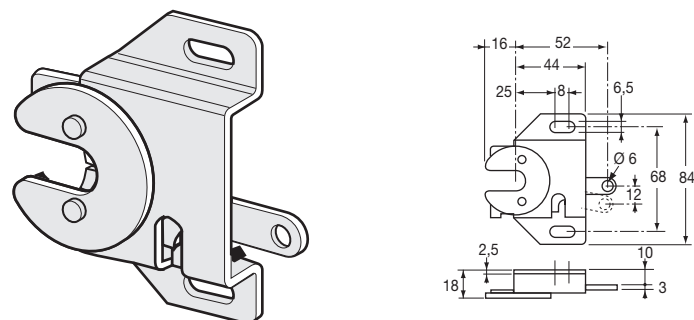
| Nr katalog.<br>Reference |  Kg |
|--------------------------|--|
| 2315276-01               | 0,331  |

ZAMKI OBROTOWE I AKCESORIA - ROTOR LATCHES AND ACCESSORIES



Zamek dwu-pozycyjny używany z trzpieniem 12 mm.  
2 positions latch, for use with 12 mm bolt.

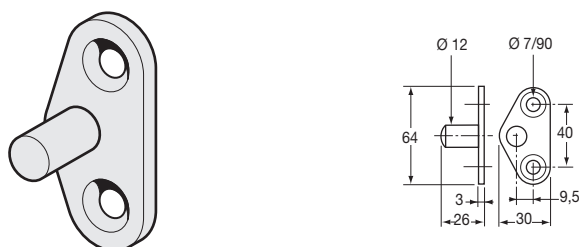
| Nr katalog.<br>Reference | Kg    |
|--------------------------|-------|
| 2319244-01               | 0,178 |



Zamek ze stali cynkowanej chromianowanej. Rysunek przedstawia stronę lewą.  
Yellow zinc plated steel lock. The image represents the lefthand side.

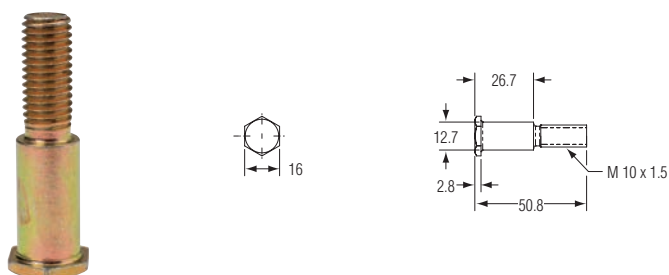
| Nr katalog.<br>Reference | Kg    | Strona<br>Hand |
|--------------------------|-------|----------------|
| 2141990DR                | 0,165 | Prawa<br>Right |
| 2141990GA                | 0,165 | Lewa<br>Left   |

11



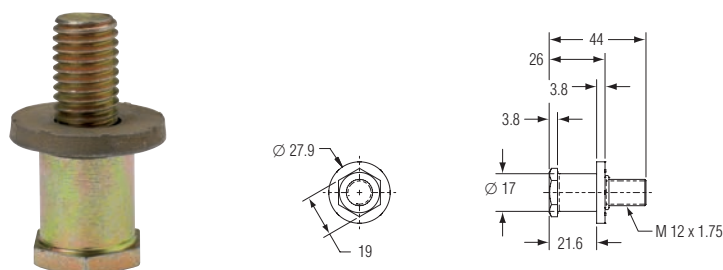
Zaczep stalowy cynkowany chromianowany.  
Yellow zinc plated steel keeper.

| Nr katalog.<br>Reference | Kg    |
|--------------------------|-------|
| 2141991                  | 0,065 |



Trzpień Ø 12,7 mm.  
Ø 12,7 mm bolt.

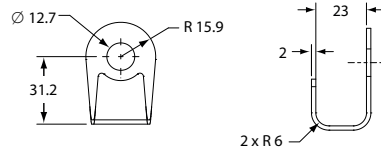
| Nr katalog.<br>Reference | Kg    | Ø    |
|--------------------------|-------|------|
| 2381687-16               | 0,045 | 12,7 |



Trzpień Ø 17,15 mm.  
Ø 17,15 mm bolt.

| Nr katalog.<br>Reference | Kg    | Ø     |
|--------------------------|-------|-------|
| 2311111-16               | 0,076 | 17,15 |

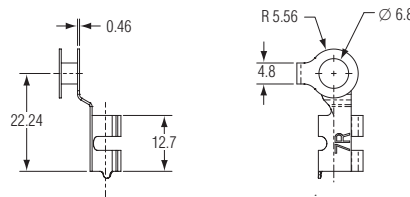
**ZAMKI OBROTOWE I AKCESORIA - ROTOR LATCHES AND ACCESSORIES**



Zabezpieczenie trzpienia 2311111-16.  
*Housing for bolt 2311111-16.*

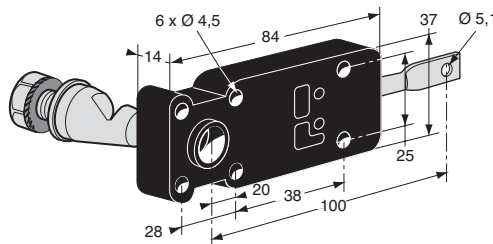
| Nr katalog.<br>Reference | Kg    | Dla<br>For |
|--------------------------|-------|------------|
| 2381623-16               | 0,034 | 2311111-16 |

Zacisk.  
*Clip.*



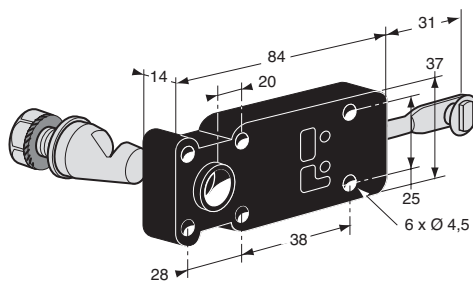
| Nr katalog.<br>Reference | Kg    | Strona<br>Hand |
|--------------------------|-------|----------------|
| 2380801                  | 0,005 | Prawa<br>Right |
| 2380802                  | 0,005 | Lewa<br>Left   |

**ZASUWKI ZE SPRĘŻYNĄ - SPRING LOCKS**



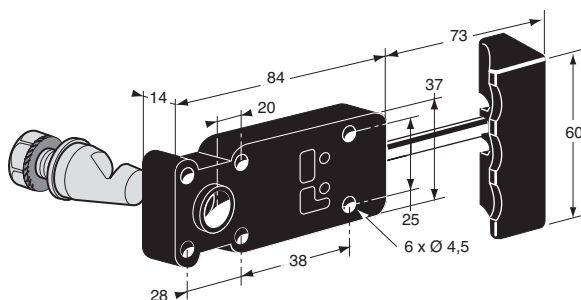
Wspornik zasuwnicy z tworzywa delrin oraz stożek zaczepu, stalowy z pokryciem geomet.  
*Slam latch bracket delrin and geomet steel keeper cone.*

| Nr katalog.<br>Reference | Kg    |
|--------------------------|-------|
| 2243372                  | 0,125 |



Wspornik zasuwnicy z tworzywa delrin oraz stożek zaczepu, stalowy z pokryciem geomet.  
*Slam latch bracket delrin and geomet steel keeper cone.*

| Nr katalog.<br>Reference | Kg    |
|--------------------------|-------|
| 2243370                  | 0,125 |

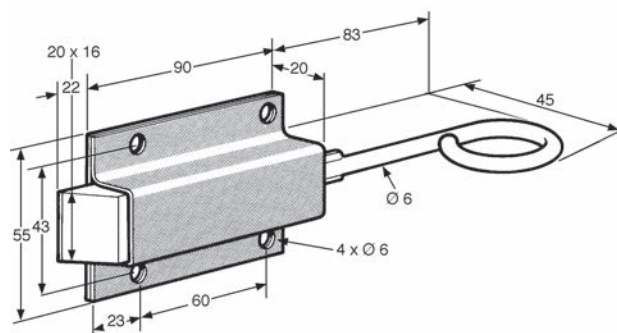


Wspornik zasuwnicy z tworzywa delrin oraz stożek zaczepu, stalowy z pokryciem geomet.  
*Slam latch bracket delrin and geomet steel keeper cone.*

| Nr katalog.<br>Reference | Kg   |
|--------------------------|------|
| 2243371                  | 0,15 |



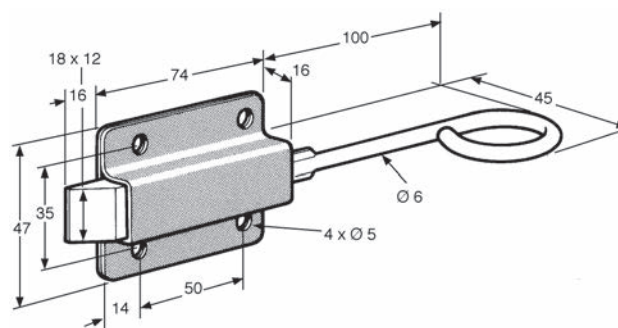
ZASUWKI ZE SPRĘŻYNĄ - *SPRING LOCKS*



Zasuwka, ocynk stal pasywna.  
*Passivated galvanized steel.*

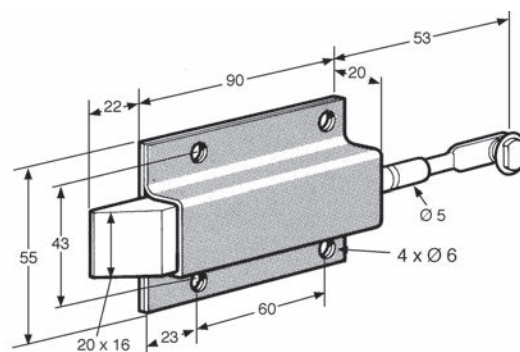
| Nr katalog.<br>Reference | Kg    |
|--------------------------|-------|
| 2243330                  | 0,325 |

11



Zasuwka, ze stali cynkowanej.  
*Zinc plated latch.*

| Nr katalog.<br>Reference | Kg   |
|--------------------------|------|
| 2243340                  | 0,21 |

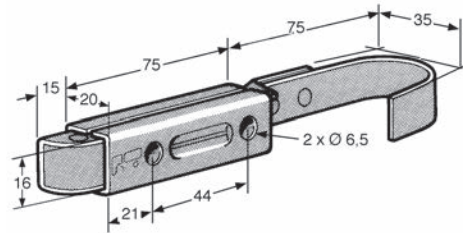


Zasuwka, ze stali cynkowanej.  
*Zinc plated latch.*


| Nr katalog.<br>Reference | Kg   |
|--------------------------|------|
| 2243350                  | 0,33 |

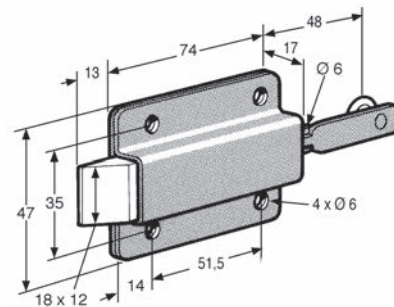


ZASUWKI ZE SPRĘŻYNĄ - *SPRING LOCKS*

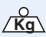


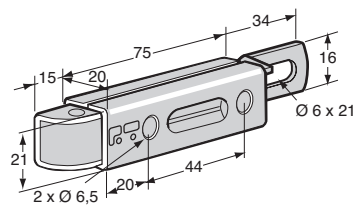
Zasuwka, ze stali cynkowanej.  
*Zinc plated latch.*

| Nr katalog.<br>Reference |  |
|--------------------------|---|
| 2243541                  | 0,17  |



Zasuwka, ze stali cynkowanej.  
*Zinc plated latch.*

| Nr katalog.<br>Reference |  |
|--------------------------|---|
| 2243360                  | 0,19  |

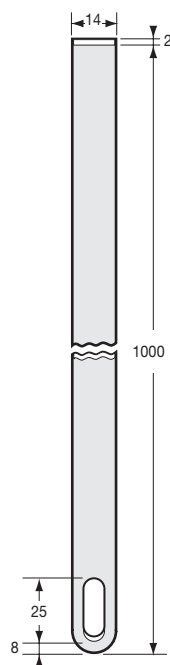


Zasuwka.  
*Steel latch.*

| Nr katalog.<br>Reference |  | Zakończyć<br>Finish                |
|--------------------------|---|------------------------------------|
| 2204354IN                | 0,16  | Stal nierdzewna<br>Stainless steel |
| 2204354ZI                | 0,16  | Ocynkowana<br>Zinc plated          |

ZASUWKI ZE SPRĘŻYNĄ - *SPRING LOCKS*

Cięgno z oczkiem, stal cynkowa.  
*Zinc plated steel rod.*



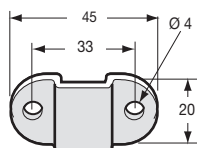
Nr katalog.  
*Reference*



2243361

0,22

11



Prowadnica cięgna, stal cynkowa.  
*Bearing bracket, yellow zinc plated steel.*

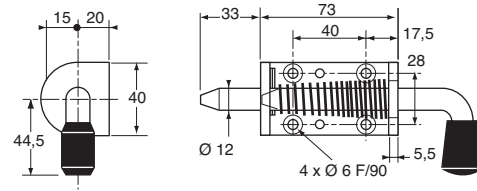
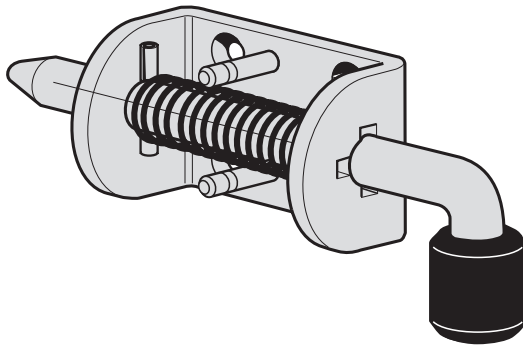
Nr katalog.  
*Reference*




2243363

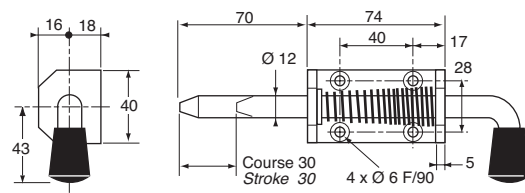
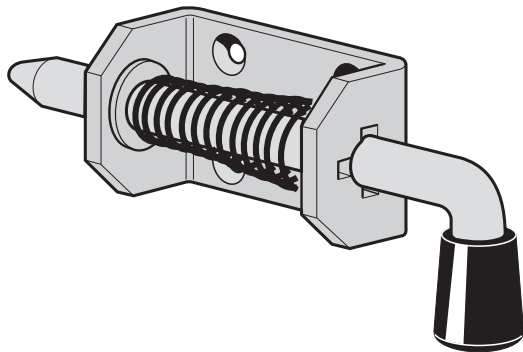
0,015

**ZAMKI - SPRING BOLTS**




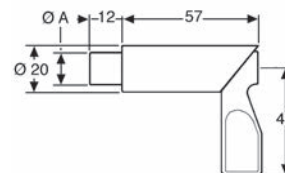
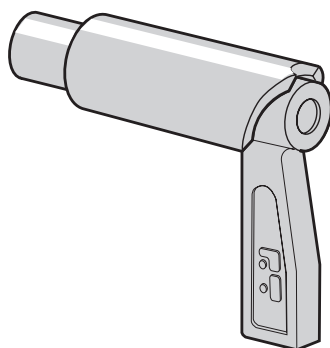
Rygiel ze stali ocynkowanej, ze zderzakiem.  
*Zinc plated steel spring bolt with retaining mechanism.*

| Nr katalog.<br>Reference |  |
|--------------------------|---|
| 0844888                  | 0,34  |




Rygiel ze stali ocynkowanej, ze zderzakiem.  
*Zinc plated steel spring bolt with retaining mechanism.*

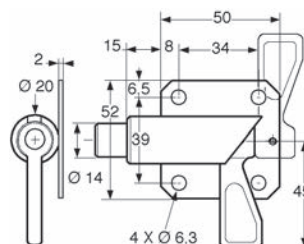
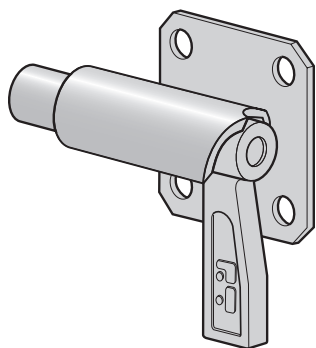
| Nr katalog.<br>Reference |  |
|--------------------------|---|
| 0844889                  | 0,374   |



Rygiel ze stali ocynkowanej.  
*Zinc plated steel bolt.*

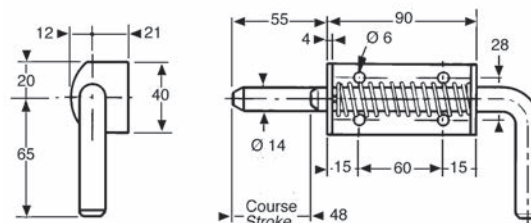
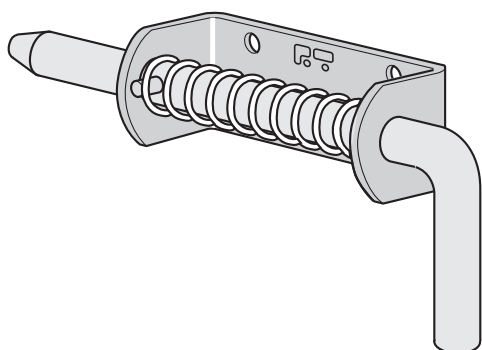
| Nr katalog.<br>Reference |  | Ø A<br>(mm) |
|--------------------------|---|-------------|
| 0844900                  | 0,16  | 14          |
| 0844901                  | 0,16  | 10          |
| 0844909                  | 0,16  | 12          |

ZAMKI - *SPRING BOLTS*



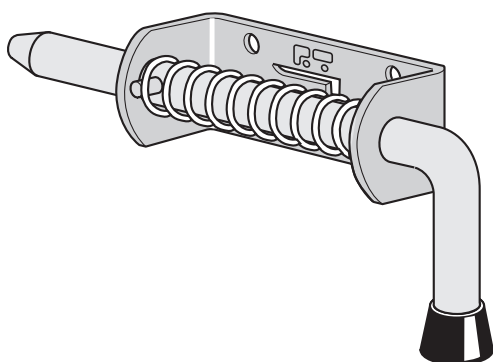
Rygiel ze stali cynkowanej, z płytką.  
*Zinc plated steel bolt.*

| Nr katalog.<br><i>Reference</i> | Kg   | Strona<br><i>Hand</i> |
|---------------------------------|------|-----------------------|
| 0844915DR                       | 0,18 | Prawa<br><i>Right</i> |
| 0844915GA                       | 0,18 | Lewa<br><i>Left</i>   |



Rygiel ze stali ocynkowanej, bez zderzaka.  
*Zinc plated steel spring bolt.*

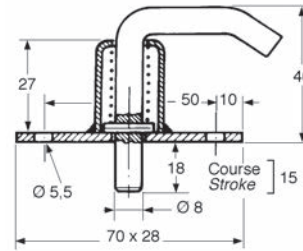
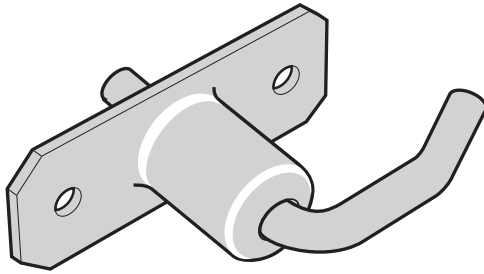
| Nr katalog.<br><i>Reference</i> | Kg   |
|---------------------------------|------|
| 0844898                         | 0,44 |



Rygiel ze stali cynkowanej, ze zderzakiem.  
*Spring bolt with retaining mechanism.*

| Nr katalog.<br><i>Reference</i> | Kg   | Zakończyć<br><i>Finish</i>                |
|---------------------------------|------|---|
| 0844899                         | 0,44 | Ocynkowana<br><i>Zinc plated</i>          |
| 0844902                         | 0,44 | Stal nierdzewna<br><i>Stainless steel</i> |

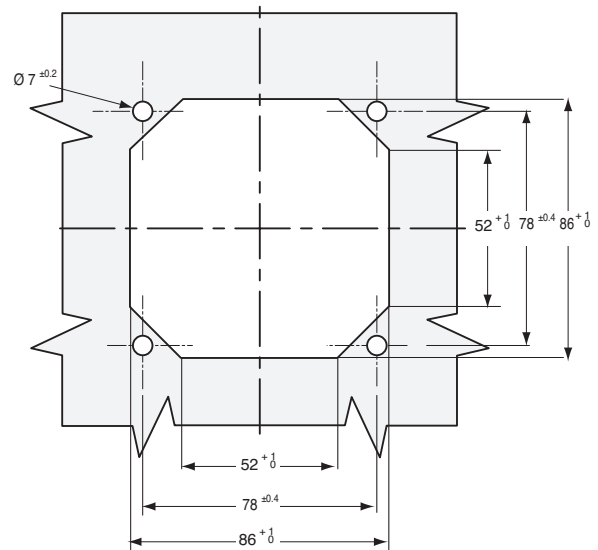
**ZAMKI - SPRING BOLTS**



Rygiel ze kataforezy, do pojazdów do przewozu zwierząt.  
*Cataphoresis steel spring bolt for cattle-box.*

| Nr katalog.<br>Reference | Kg  |
|--------------------------|-----|
| 0844897C                 | 0,1 |

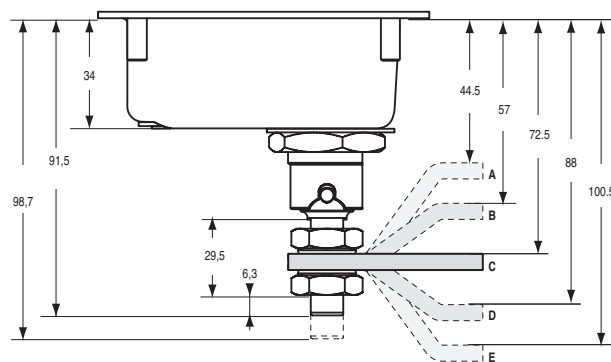
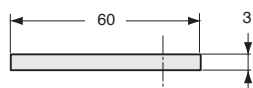
**ZAMKI Z DOCISKIEM - COMPRESSION LATCH**



Zamek z dociskiem zamykany kluczykiem (\*), lub bez (\*\*), stalowy z pokryciem naniesionym metodą kataforezy i lakierowany epoksydowo na czarno. Dostarczany wraz z wkrętami do mocowania zamka. Zapadki w opcji oddzielnie.  
*Lockable compression latch, with locking barrel (\*) or without locking barrel (\*\*), black cataphoric painting. Delivered with screw set for studs and cam (cam not included).*

| Nr katalog.<br>Reference | Kg    | Typ<br>Type |
|--------------------------|-------|-------------|
| 2141230                  | 0,705 | *           |
| 2141231                  | 0,685 | **          |

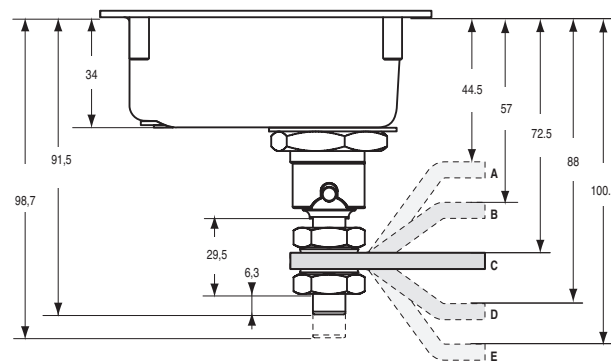
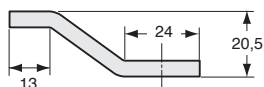
ZAMKI Z DOCISKIEM - **COMPRESSION LATCH**



Łapka dociskowa, płaska, stal cynkowa.  
*Flat cam, zinc plated steel.*

| Nr katalog.<br>Reference | Kg    | C min.<br>(mm) | C max.<br>(mm) |
|--------------------------|-------|----------------|----------------|
| 2141234                  | 0,045 | 70             | 79             |

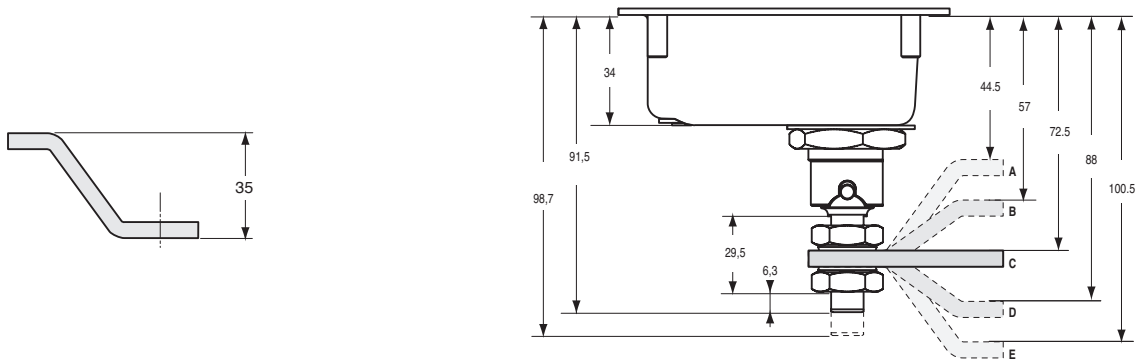
11




Łapka dociskowa z małym odsadzeniem, stal cynkowa.  
*Flat cam, zinc plated steel.*

| Nr katalog.<br>Reference | Kg    | B min.<br>(mm) | B max.<br>(mm) | D min.<br>(mm) | D max.<br>(mm) |
|--------------------------|-------|----------------|----------------|----------------|----------------|
| 2141235                  | 0,045 | 54,5           | 63,5           | 85,5           | 94,5           |

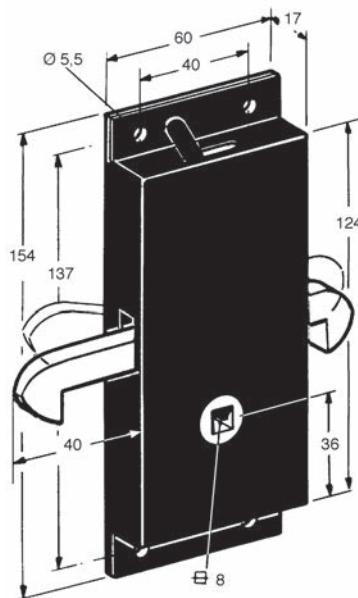
**ZAMKI Z DOCISKIEM - COMPRESSION LATCH**



Łapka dociskowa z dużym odsadzeniem, stal cynkowana.  
*Flat cam, zinc plated steel.*


| Nr katalog.<br>Reference |  | A min.<br>(mm) | A max.<br>(mm) | E min.<br>(mm) | E max.<br>(mm) |
|--------------------------|---|----------------|----------------|----------------|----------------|
| 2141236                  | 0,045   | 42             | 51             | 98             | 107            |

**ZAMKI DO DRZWI PRZESUWNYCH - SLIDING DOOR LOCKS**

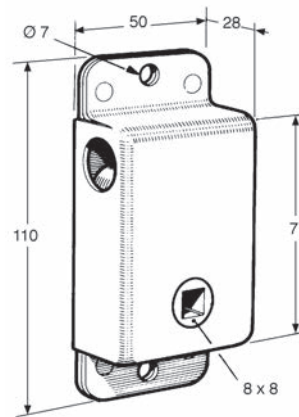


Zamek drzwi przesuwnych, z blokadą wewnętrzną i ryglowaniem w położeniu otwartym, stalowy, lakierowany na czarno.  
Rysunek przedstawia stronę lewą.


*Black enamelled steel sliding door lock, with locking bar. The image represents the lefthand side.*

| Nr katalog.<br>Reference |  | Strona<br>Hand |
|--------------------------|---|----------------|
| 2141995DR                | 0,7   | Prawa<br>Right |
| 2141995GA                | 0,7   | Lewa<br>Left   |

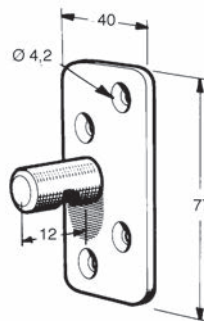
ZAMKI DO DRZWI PRZESUWNYCH - *SLIDING DOOR LOCKS*




Zamek ze stali cynkowanej do drzwi przesuwnych, bez blokady.  
*Zinc plated steel sliding door lock, without locking bar.*

| Nr katalog.<br><i>Reference</i> | <br>Kg |
|---------------------------------|---|
| 2141997                         | 0,355   |

11

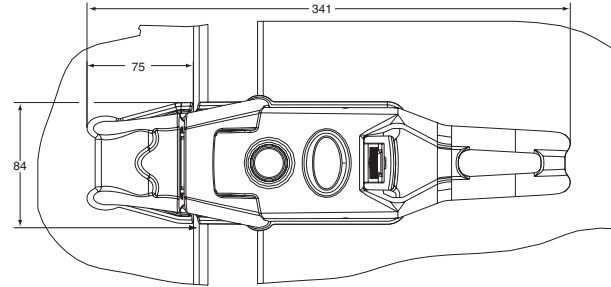
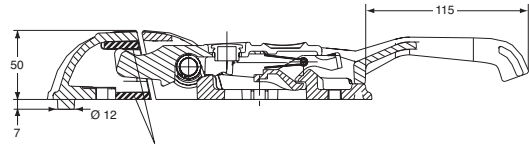


Zaczep ze stali cynkowanej. Rysunek przedstawia lewa strona.  
*Zinc plated steel keeper. The image represents the lefthand side.*


| Nr katalog.<br><i>Reference</i> | <br>Kg | Strona<br><i>Hand</i> |
|---------------------------------|---|-----------------------|
| 2141999DR                       | 0,12  | Prawa<br><i>Right</i> |
| 2141999GA                       | 0,12  | Lewa<br><i>Left</i>   |

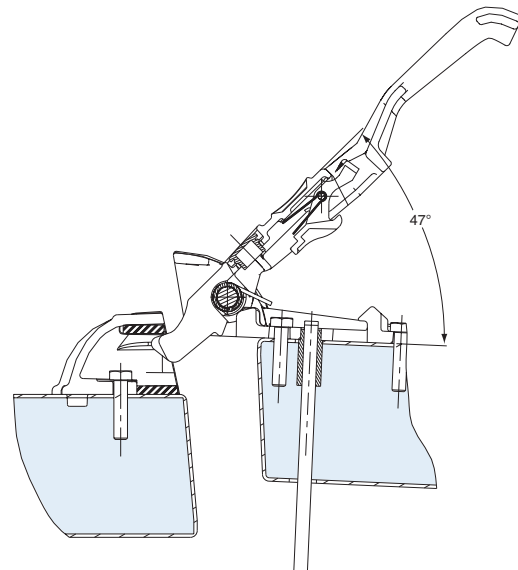


**ZAMKNIĘCIE JEDNOPUNKTOWE - 1 POINT LOCKING SYSTEM**

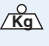


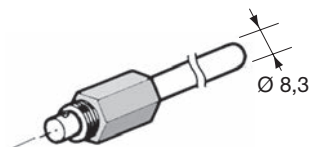
Zamek jednopunktowy zatrzaskowy, dla małej komory izotermicznej, z bębenkiem, bez opcji zatrzaskowej w zestawie.  
*Single point lock for small insulated body. With barrel (supplied loose).*

| Nr katalog.<br><i>Reference</i> |  Kg | Typ<br><i>Type</i> |
|---------------------------------|--|--------------------|
| 2344541B                        | 1,162  | N° 602             |
| 2344541C                        | 1,162  | N° 603             |
| 2344541D                        | 1,162  | N° 604             |




Zamek jednopunktowy zatrzaskowy, aluminium szare epoksydowane, bez bębniaka. Przycisk do odblokowania od wewnątrz 2344308PT (nie dostarczony w zestawie).  
*Single point lock, grey epoxy aluminium with catch, without barrel. Interior opening trigger 2344308PT (not included).*

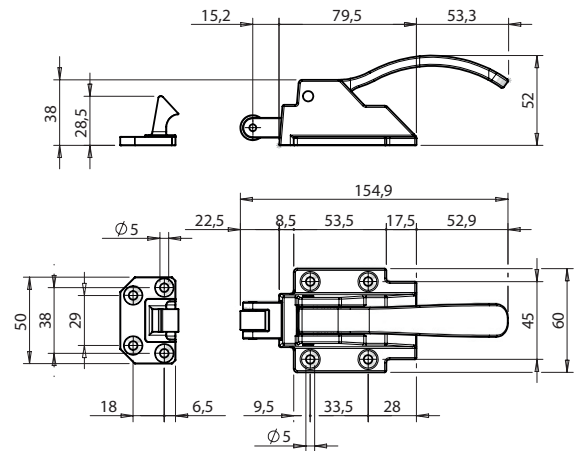
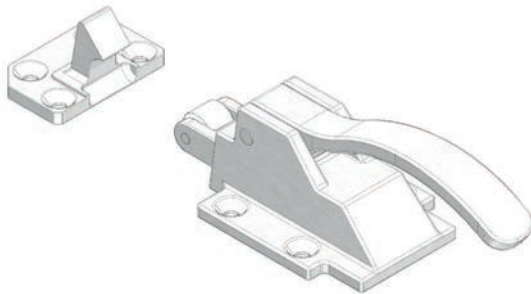
| Nr katalog.<br><i>Reference</i> |  Kg |
|---------------------------------|--|
| 2344540                         | 1,09   |



Zacisk teflonowy do wewnętrznego odblokowywania.  
*Interior opening teflon trigger.*

| Nr katalog.<br><i>Reference</i> |  Kg |
|---------------------------------|--|
| 2344308PT                       | 0,025  |

ZAMKNIĘCIE JEDNOPUNKTOWE - 1 POINT LOCKING SYSTEM

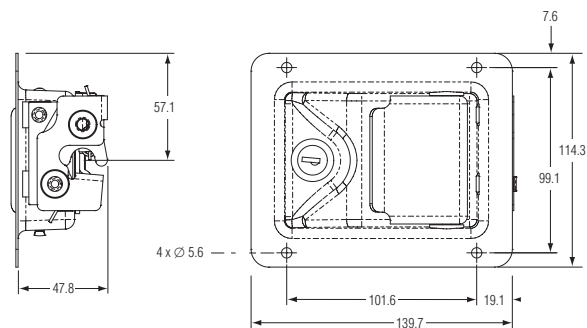


Blokada zewnętrzna z zaokrągloną dźwignią i językiem zamka.  
*External lock with rounded lever and striker.*

|                          |       |
|--------------------------|-------|
| Nr katalog.<br>Reference |       |
| 027704110                | 0,500 |

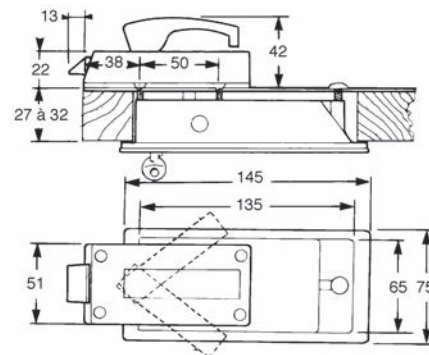
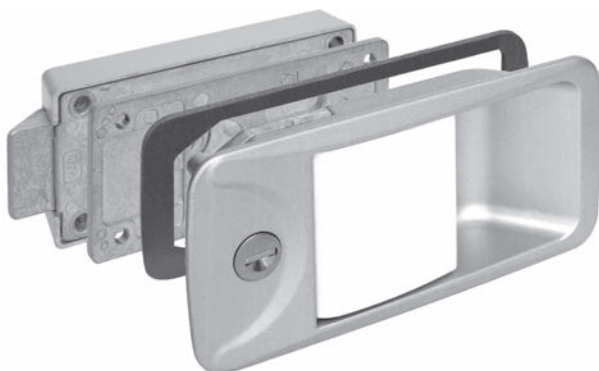
ZAMKNIĘCIE JEDNOPUNKTOWE ZATRZASKOWE - 1 POINT SLAM LOCK

11



Zamek blokowany kluczykiem do trzpienia 2381687-16, stal nierdzewna.  
*Stainless steel compartment latch. To use with bolt 2381687-16.*

|                          |       |
|--------------------------|-------|
| Nr katalog.<br>Reference |       |
| 2316268-13               | 0,505 |

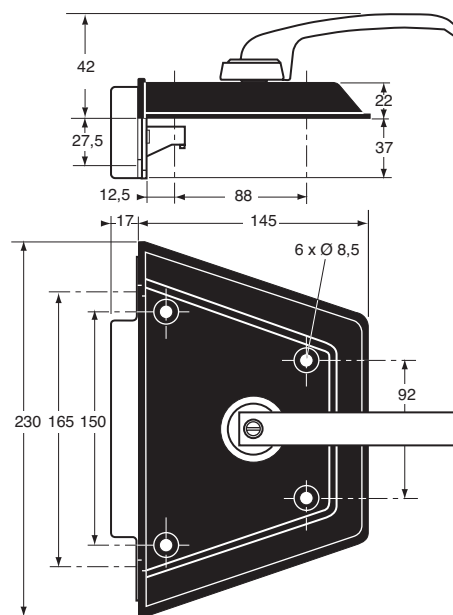
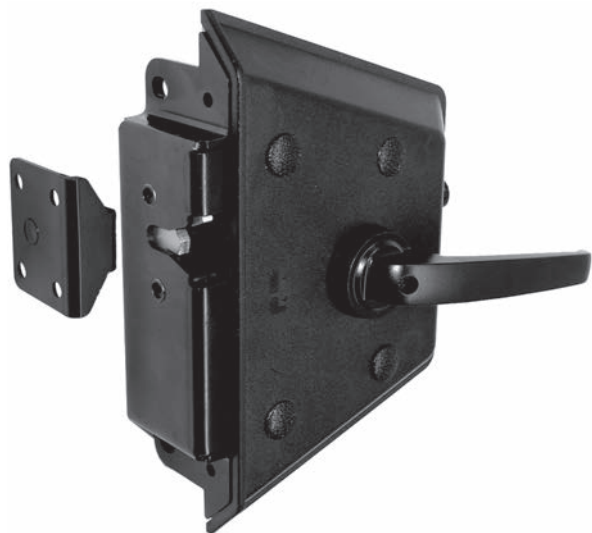


Zamek do wbudowania, korpus ze stopu żal malowany farbą epoksydową na szaro. Uchwyt zewnętrzny malowany farbą epoksydową na biało.

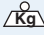
*Recessed paddle handle, body in grey epoxy zinc alloy, paddle in white epoxy.*

|                          |     |
|--------------------------|-----|
| Nr katalog.<br>Reference |     |
| 2137622                  | 1,1 |

**ZAMKNIĘCIE JEDNOPUNKTOWE ZATRZASKOWE - 1 POINT SLAM LOCK**



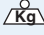
Zamek kompletny, stalowy lakierowany metodą kateforezy, klamka ze znu, obudowa z tworzywa. Rysunek przedstawia stronę lewą.  
*Complete lock, with KTL coating, handle in zamak alloy and cover in plastic. The image represents the lefthand side.*

| Nr katalog.<br>Reference |  Kg | Strona<br>Hand |
|--------------------------|--|----------------|
| 2141865DR                | 1,8  | Prawa<br>Right |
| 2141865GA                | 1,8  | Lewa<br>Left   |

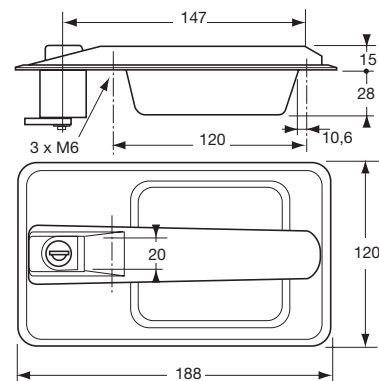
11



Sam zaczep.  
*Keeper alone.*

| Nr katalog.<br>Reference |  Kg |
|--------------------------|--|
| 2141865GS                | 0,109  |

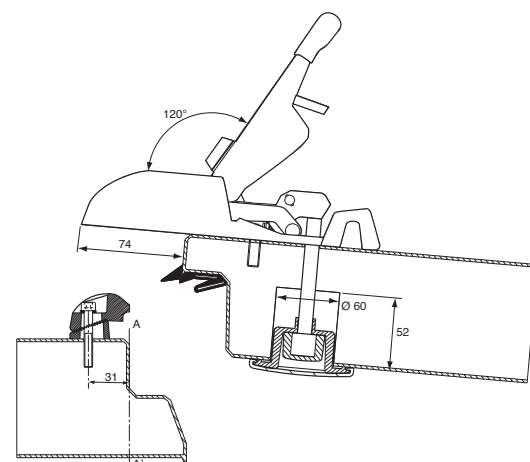
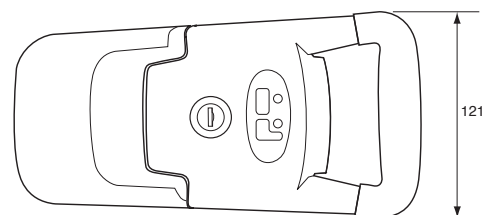
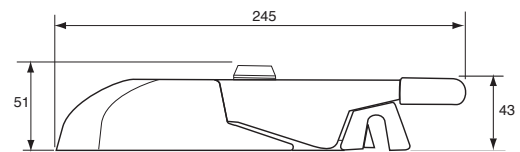
ZAMKNIĘCIE JEDNOPUNKTOWE ZATRZASKOWE - 1 POINT SLAM LOCK



Klamka, z kluczykiem, obudowa malowana czarnym lakierem epoksydowym, aluminiowa z uszczelką gumową dla zamka 2141865.  
*Locking handle, black epoxy aluminium dish, with rubber gasket for lock 2141865.*

| Nr katalog.<br>Reference | Kg   |
|--------------------------|------|
| 1940016                  | 0,36 |
| 1940016CV                | 0,36 |

11



Zamknięcie zatrzaskowe z aluminium z szarym pokryciem epoksydowym, z regulowanym zaczepem, zamykany na klucz, o różnych numerach (\*) lub taki sam (\*\*).

*Slam lock grey epoxy aluminium, adjustable catch, key operated, various combinations (\*) or identical (\*\*).*

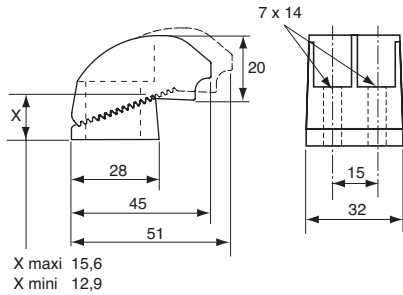
| Nr katalog.<br>Reference | Kg    | Typ<br>Type |
|--------------------------|-------|-------------|
| 2344550CV                | 1,385 | *           |
| 2344550MN                | 1,385 | **          |

**ZAMKNIĘCIE JEDNOPUNKTOWE ZATRZASKOWE - 1 POINT SLAM LOCK**



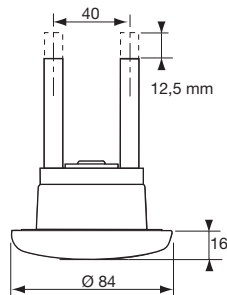
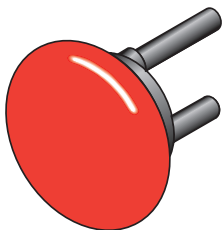
Bębenek zamka, chromowany dla 2344550.  
*Chrome plated locking cylinder for 2344550.*

Nr katalog.  
*Reference*  
2344550BA



Gniazdo rygla dla 2344550.  
*Zinc alloy keeper for 2344550.*

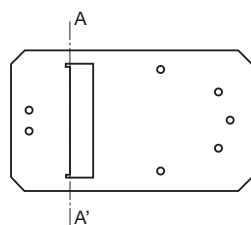
Nr katalog.  
*Reference*  
2344550GA



Przycisk wewnętrzny do odblokowania zamknięć  
2344550CV / MN i 2344531.  
*Internal release device for 2344550CV / MN and 2344531.*

| Nr katalog.<br><i>Reference</i> |  Kg | Dla<br><i>For</i>             |
|---------------------------------|--|-------------------------------|
| 2344551                         | 0,12   | 2344550CV / MN<br>and 2344531 |

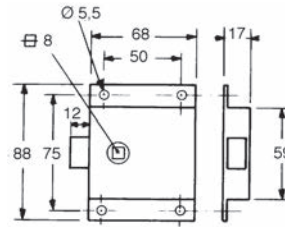
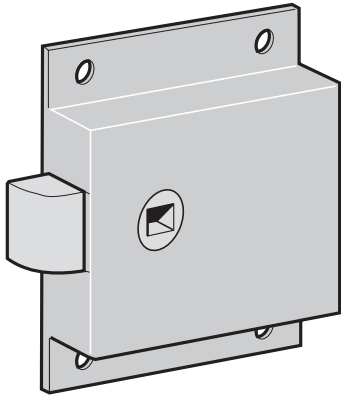
11



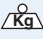
Szablon do odwiercania dla 2344550.  
*Drilling gauge for 2344550.*

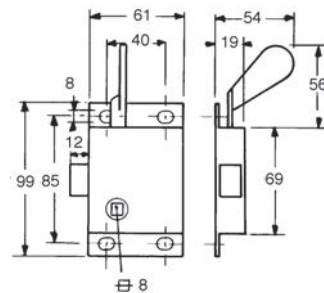
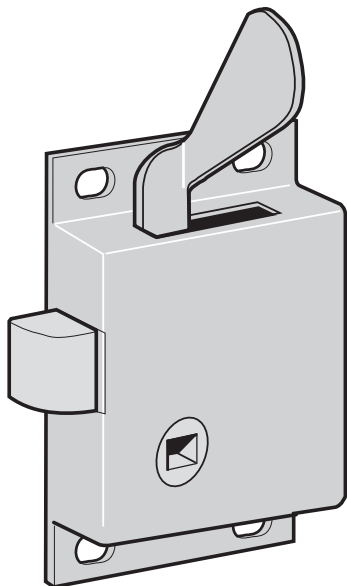
Nr katalog.  
*Reference*  
2344552

ZAMKNIĘCIE JEDNOPUNKTOWE ZATRZASKOWE - 1 POINT SLAM LOCK




Zamek ze stali cynkowanej, działa jako prawy i jako lewy.  
*Zinc plated steel lock, used right or left hand.*

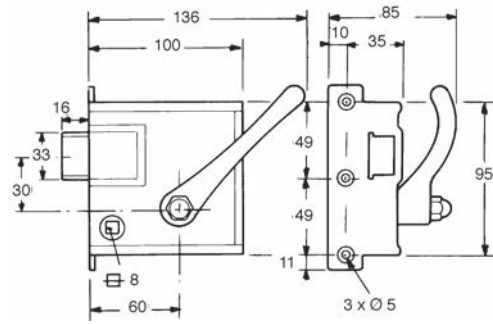
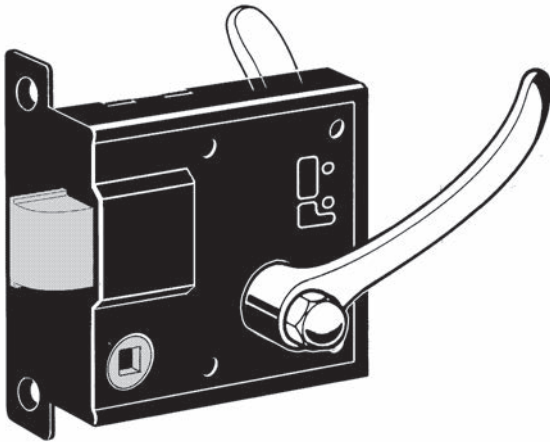
| Nr katalog.<br>Reference |  Kg |
|--------------------------|--|
| 2141992                  | 0,25   |



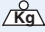
Zamek z rygłem z tworzywa, stal cynkowana chromianowana. Rysunek przedstawia stronę lewą.  
*Zinc plated steel lock with plastic bolt. The image represents the lefthand side.*

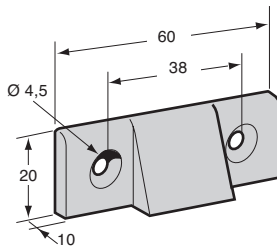
| Nr katalog.<br>Reference |  Kg | Strona<br>Hand |
|--------------------------|--|----------------|
| 2104199DR                | 0,3  | Prawa<br>Right |
| 2104199GA                | 0,3  | Lewa<br>Left   |

ZAMKNIĘCIE JEDNOPUNKTOWE ZATRZASKOWE - 1 POINT SLAM LOCK

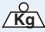


Zamek, przeciwny jak na rysunku, stalowy, lakierowany na czarno z mosiężną wewnętrzną klamką chromowaną.  
*Black painted steel lock with chrome plated handle. The image represents the lefthand side.*

| Nr katalog.<br>Reference |  Kg | Strona<br>Hand |
|--------------------------|--|----------------|
| 2104197CD                | 0,8  | Prawa<br>Right |
| 2104197CG                | 0,8  | Lewa<br>Left   |

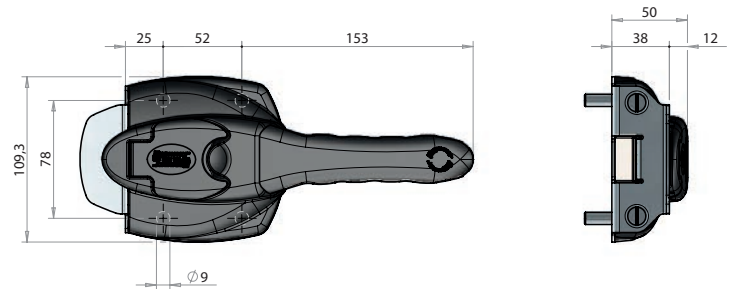
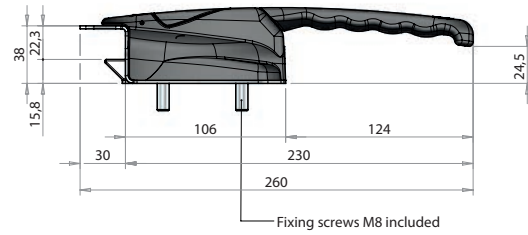


Zaczep z mosiądzu.  
*Brass keeper.*

| Nr katalog.<br>Reference |  Kg |
|--------------------------|--|
| 2104304                  | 0,05   |



ZAMKNIĘCIE JEDNOPUNKTOWE ZATRZASKOWE - 1 POINT SLAM LOCK

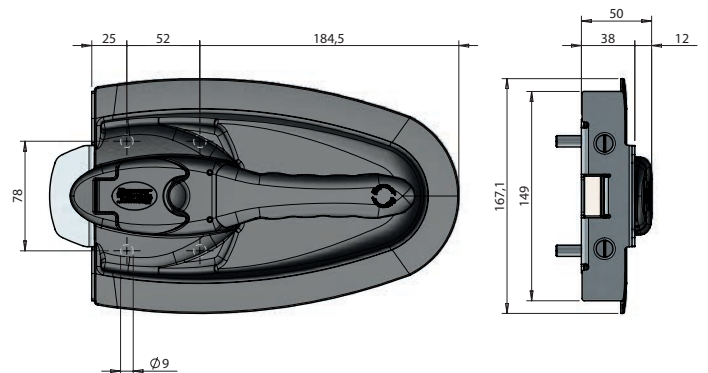
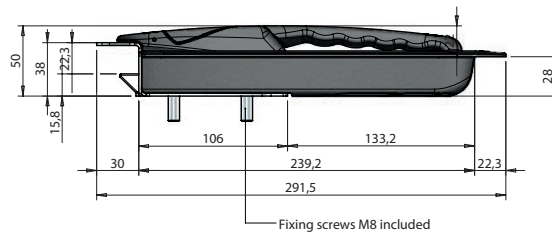


Zamknięci eścienne dla pomieszczenie do przewozu mrożonek.  
External ice-cream lock.



11

| Nr katalog.<br>Reference | Kg    | Zakończyć<br>Finish                               |
|--------------------------|-------|---|
| 027711239                | 0,785 | Inox & plastikowy<br>Plastic & stainless<br>steel |



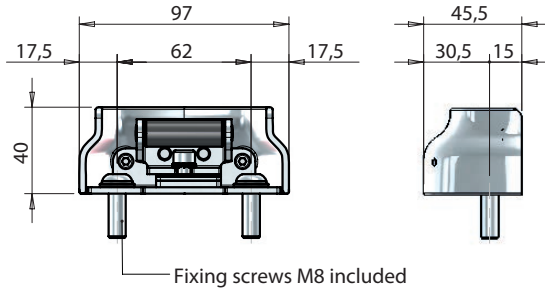
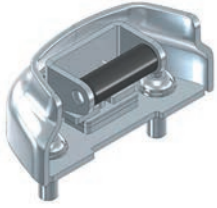
Zamknięcie wpuszczane dla pomieszczenie do przewozu mrożonek.  
Recessed ice-cream lock.



| Nr katalog.<br>Reference | Kg   | Zakończyć<br>Finish                               |
|--------------------------|------|---|
| 027711240                | 0,94 | Inox & plastikowy<br>Plastic & stainless<br>steel |

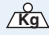


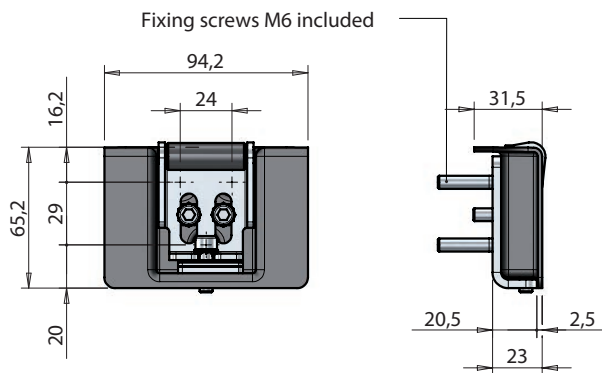
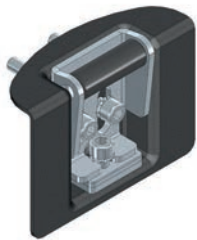
ZAMKNIĘCIE JEDNOPUNKTOWE ZATRZASKOWE - 1 POINT SLAM LOCK



Gniazdo rygla.  
External socket.

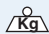
Furgocar  
EMKX QUALITY

| Nr katalog.<br>Reference |  Kg | Zakończyć<br>Finish                |
|--------------------------|--|------------------------------------|
| 027711414                | 0,32   | Stal nierdzewna<br>Stainless steel |

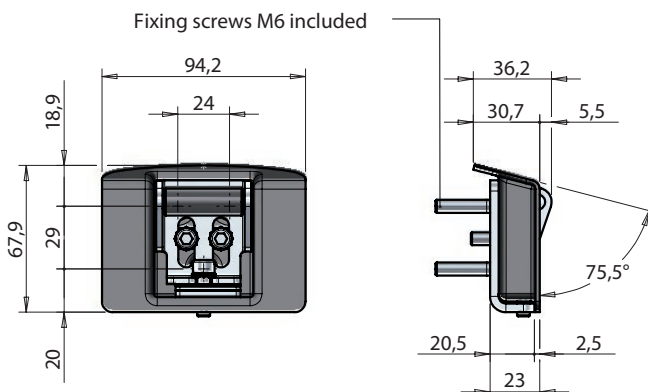
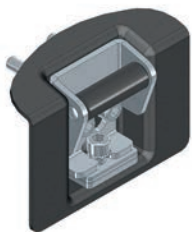


Gniazdo rygla wpuszczane pod kątem 90°.  
Recessed 90° socket.

Furgocar  
EMKX QUALITY


| Nr katalog.<br>Reference |  Kg | Zakończyć<br>Finish                            |
|--------------------------|--|--|
| 027711241                | 0,246  | Inox & plastikowy<br>Plastic & stainless steel |

11

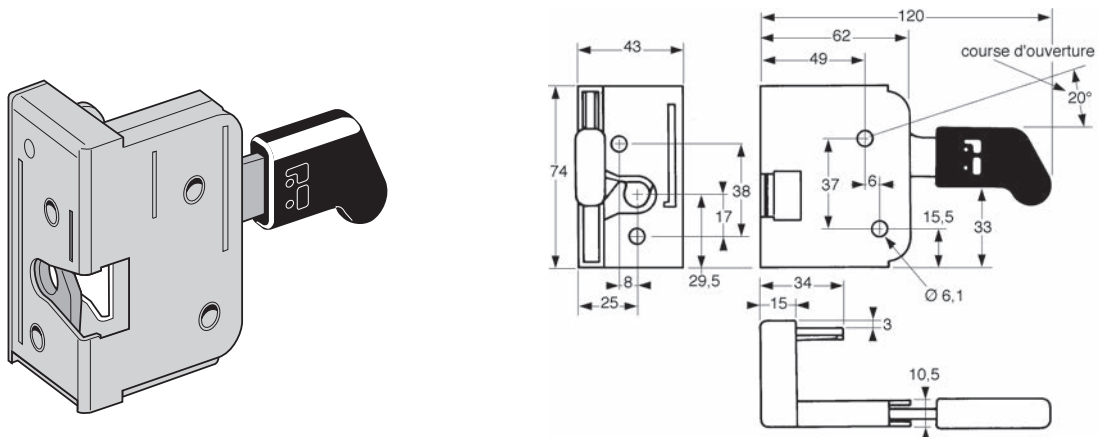


Gniazdo rygla wpuszczany pod kątem 110°.  
Recessed 110° socket.

Furgocar  
EMKX QUALITY

| Nr katalog.<br>Reference |  Kg | Zakończyć<br>Finish                            |
|--------------------------|--|--|
| 027711242                | 0,253  | Inox & plastikowy<br>Plastic & stainless steel |

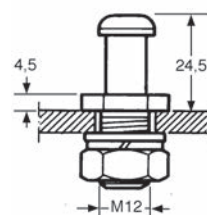
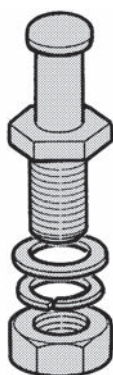
ZAMKI - Locks



Zamek, stal lakierowana metodą kataforezy. Rysunek przedstawia stronę prawą.  
*Cataphoresis steel lock. The image represents the righthand side.*

| Nr katalog.<br>Reference | Kg   | Strona<br>Hand |
|--------------------------|------|----------------|
| 2141199DR                | 0,42 | Prawa<br>Right |
| 2141199GA                | 0,42 | Lewa<br>Left   |

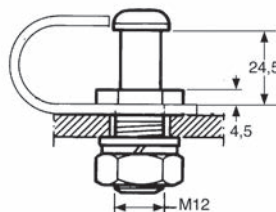
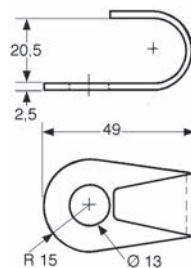
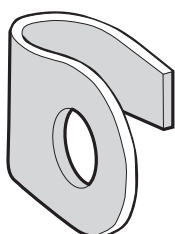
11



Zaczepek ze stali cynkowanej dla zamka 2141205 / 2141199.

*Zinc plated steel keeper for lock 2141205 / 2141199.*

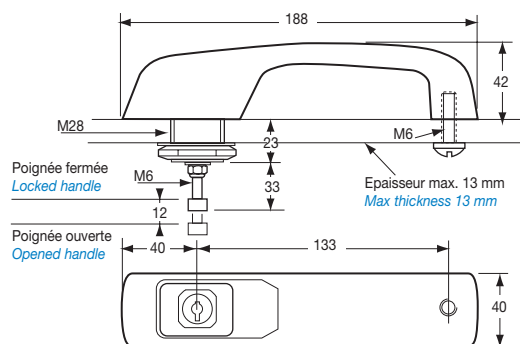
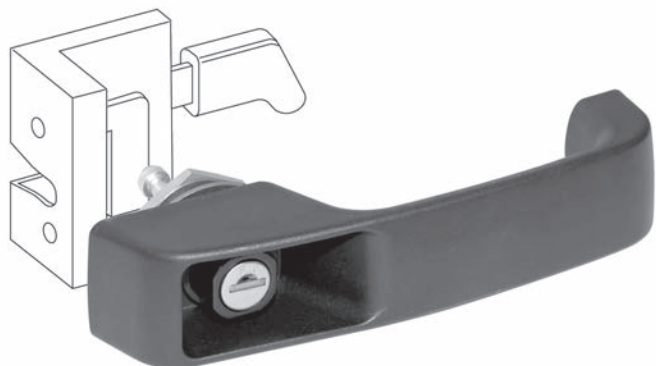
| Nr katalog.<br>Reference | Kg   |
|--------------------------|------|
| 2141205GA                | 0,07 |



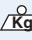

Ostona zaczepek, stal.  
*Steel guard.*

| Nr katalog.<br>Reference | Kg   |
|--------------------------|------|
| 2141205PR                | 0,03 |

**KLAMKI - HANDLES**



Klamka z zamkiem na 1/4 obrotu do kluczyka nr 610, z 1(\*) lub 2 (\*\*\*) kluczami, czarne tworzywo.  
*Locking handle with key number 610, with 1 (\*) or 2 (\*\*\*) key, black plastic.*

| Nr katalog.<br>Reference |  Kg |  | Typ<br>Type |
|--------------------------|--|---|-------------|
| 1940017                  | 0,240  | 2   | **          |
| 1940017MN                | 0,240  | 2   | *           |



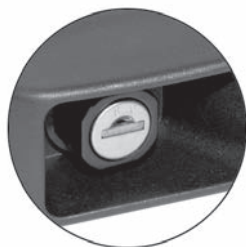
Podkładka górna Czarny E.P.D.M., gr. 1 mm.  
*Black E.P.D.M. upper seal, 1 mm thickness.*

| Nr katalog.<br>Reference | Grubość<br>Thickness |
|--------------------------|----------------------|
| 1940017JS                | 1                    |



Podkładka dolna Czarny E.P.D.M., gr. 1 mm.  
*Black E.P.D.M. lower gasket, 1 mm thickness.*

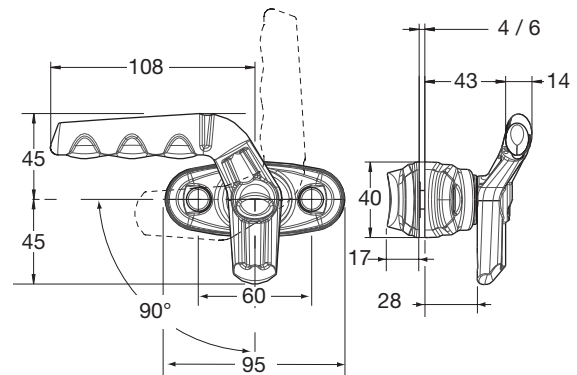
| Nr katalog.<br>Reference | Grubość<br>Thickness |
|--------------------------|----------------------|
| 1940017JI                | 1                    |



Bębenek zamka (2 szt. w torebce), nr kluczyka 610.  
*2 locking cylinder bagged, key number 610.*

| Nr katalog.<br>Reference |
|--------------------------|
| 1940019MN                |

**KLAMKI - HANDLES**



Czarny uchwyt z tworzywa, 1/4 obrotu, kompletny. Rysunek przedstawia stronę lewą. Moment przykręcania 1,5 / 2 N.m. Moment dokręcenia 3,5 / 4 N.m, 5 wkręcania / odkręcania maxi.

*Quarter turn handle Complete, black plastic. The image represents the lefthand side. 2 M6-20 screws (suply). Screwing torque 1,5 to 2 N.m. Tightening torque 3,5 to 4 N.m. 5 screwing / unscrewing max.*

| Nr katalog.<br>Reference | Kg    | Strona<br>Hand |
|--------------------------|-------|----------------|
| 4144315                  | 0,150 | Lewa<br>Left   |
| 4144316                  | 0,150 | Prawa<br>Right |

11



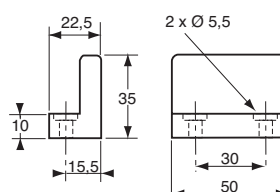
Tylko klamka, 1/4 obrotu, tworzywo czarne.  
*Quarter turn black plastic handle only.*

| Nr katalog.<br>Reference | Kg   |
|--------------------------|------|
| 4144315PO                | 0,12 |



Zaczep blokady do klamki 4144315/316, czarne tworzywo.  
*catchplate for 4144315/316 handle, black plastic.*

| Nr katalog.<br>Reference | Kg    | Dla<br>For         |
|--------------------------|-------|--------------------|
| 4144312BU                | 0,035 | 4144315<br>4144316 |



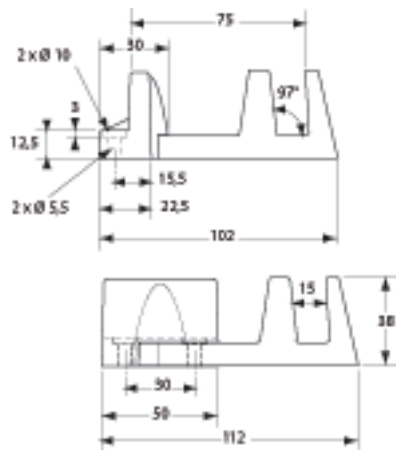
**KLAMKI - HANDLES**



Przykrywka śrub z czarnego tworzywa.  
*Screw cover, black plastic.*

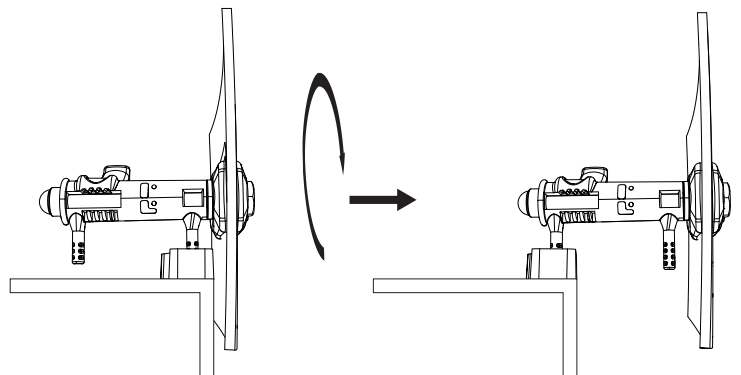
Nr katalog.  
*Reference*  
4144312BO

**USTALACZE UCHYLENIA SZYBY DO KLAMKI - WINDOW STAY**



Ustalacz uchylenia szyby do klamki 4144315/316, czarne tworzywo.  
*Window stay for 4144315/316 handle, black plastic.*

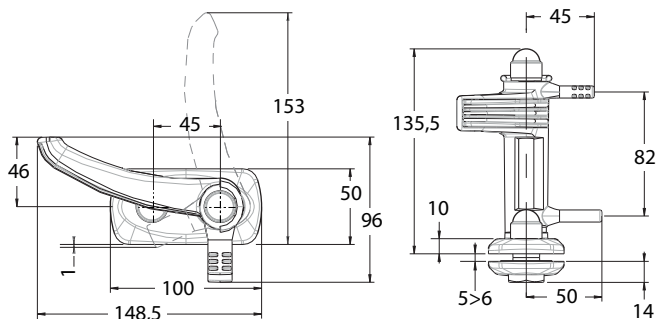
| Nr katalog.<br><i>Reference</i> | Kg   | Dla<br><i>For</i>  |
|---------------------------------|------|--------------------|
| 4144313                         | 0,07 | 4144315<br>4144316 |




Zamknięcie klapy w opakowaniu do złożenia. Komplet. Moment dokręcania 7 +/- 1 N.m.  
*Complete tailgate lock, in bag unassembled. Tightening torque 7 +/- 1 N.m.*

| Nr katalog.<br><i>Reference</i> | Kg    |
|---------------------------------|-------|
| 4144317                         | 0,340 |

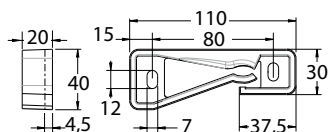
USTALACZE UCHYLENIA SZYBY DO KLAMKI - *WINDOW STAY*




Zamknięcie klapy w opakowaniu do złożenia. Moment dokręcania 7 +/- 1 N.m.  
*Tailgate lock, in bag unassembled. Tightening torque 7 +/- 1 N.m.*

| Nr katalog.<br>Reference |  |
|--------------------------|---|
| 4144317VE                | 0,340   |

11



Blokada zamka klapy.  
*Tailgate lock retainer.*

| Nr katalog.<br>Reference |  |
|--------------------------|---|
| 4144317AV                | 0,30  |

## ZAMKNIĘCIA RYGLOWE

Średnica 16, 18, 22, 27, wbudowane, przeciw włamaniowy, ścienny

## LOCKING GEARS

Ø 16, 18, 22, 27, recessed, anti-rack, external



12

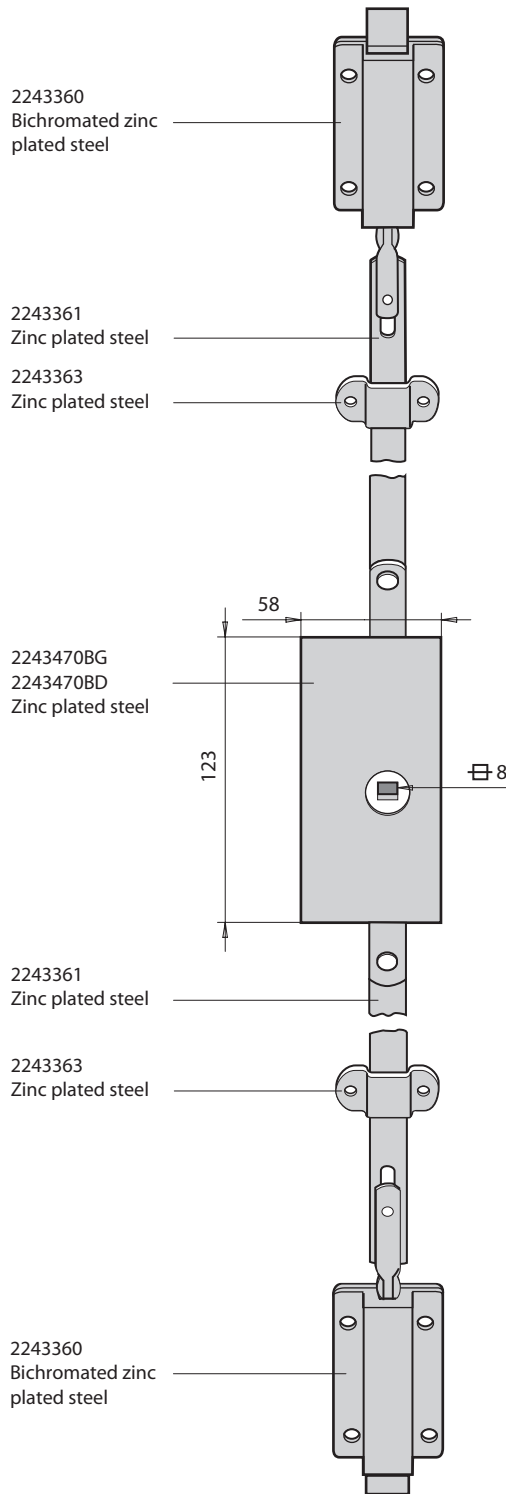




**ZESTAW ZAMKNIĘCIA RYGLOWEGO Z CIĘGNAMI - ROD LOCK KIT**

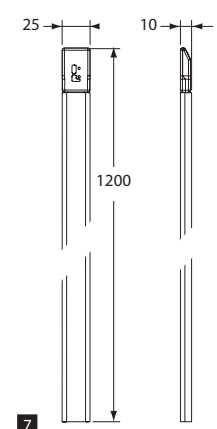
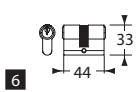
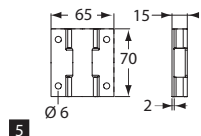
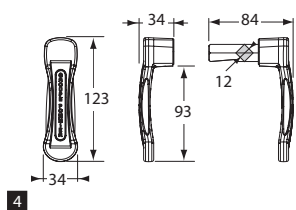
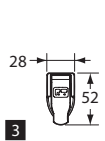
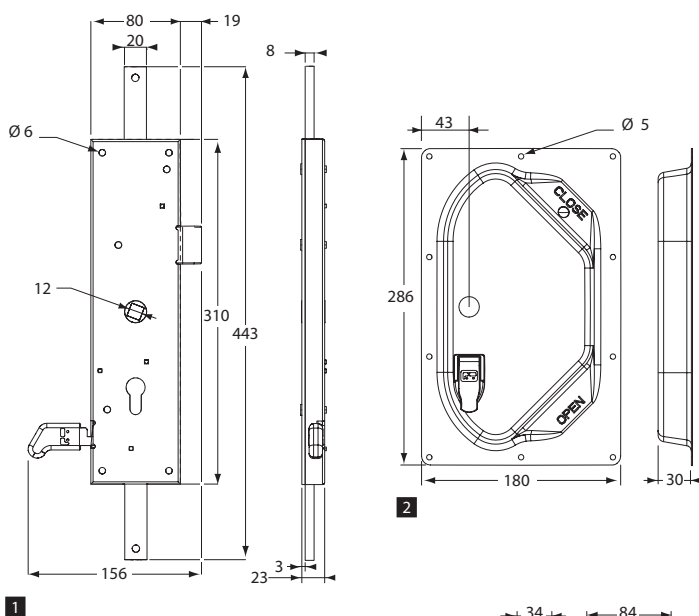
Zamknięcie ryglowe kompletne, 2 prowadniki, 2 rygle H 1000 mm, 2 zamki zatrzaskowe jeden zamek centralny (prawy jak na rysunku).

*Zinc plated steel rod lock kit fitted with 2 brackets, 2 steel rods H 1000 mm, 2 slam latch and 1 central body (right lock as illustrated).*



| Nr katalog.<br>Reference | kg    | Zakończyć<br>Finish            | Strona<br>Hand |
|--------------------------|-------|--------------------------------|----------------|
| 2243470CD                | 1,160 | Stal ocynkowana<br>Zinc plated | Prawa<br>Right |
| 2243470CG                | 1,160 | Stal ocynkowana<br>Zinc plated | Lewa<br>Left   |

**ZESTAW ZAMKNIĘCIA RYGLOWEGO Z CIĘGNAMI - ROD LOCK KIT**

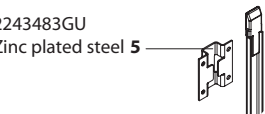


Zamknięcie ryglowe kompletne, 2 prowadniki, 2 stalowe rygle H 1200 mm z wstawianymi językami, 1 zamek centralny, 1 miska ze stali inox z przykrywką zamka, 1 bębenek zamka różne kombinacje (\*) ten sam klucz (\*\*), 1 zestaw klamek, 1 naklejka użytkownika (na rysunku zamek prawy).

*Rod lock kit fitted with 2 brackets, 2 steel rods H 1200 mm with welded cam, 1 central body, 1 stainless steel pan with lock cover, 1 barrel 22 x 22 varied key combinations (\*) or same key number (\*\*), 1 handles set, 1 user label (right lock as illustrated).*

| Nr katalog.<br>Reference | Kg    | Strona<br>Hand | Typ<br>Type |
|--------------------------|-------|----------------|-------------|
| 2243482FD                | 4,745 | Prawa<br>Right | *           |
| 2243482FG                | 4,745 | Lewa<br>Left   | *           |
| 2243483FD                | 4,745 | Prawa<br>Right | **          |
| 2243483FG                | 4,745 | Lewa<br>Left   | **          |

2243483GU  
Zinc plated steel 5



2243483TR  
7 Zinc plated steel



2243480ED  
1 2243480EG  
Zinc plated steel

2243480PO 4  
Plastic

2243482CD  
2 2243482CG  
Inox

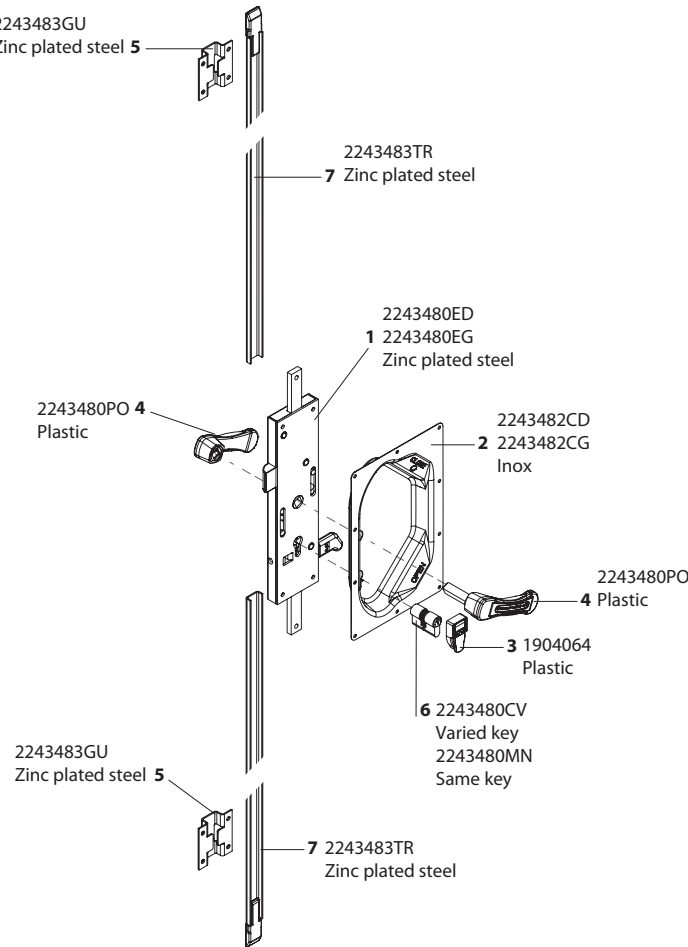
2243480PO  
4 Plastic

3 1904064  
Plastic

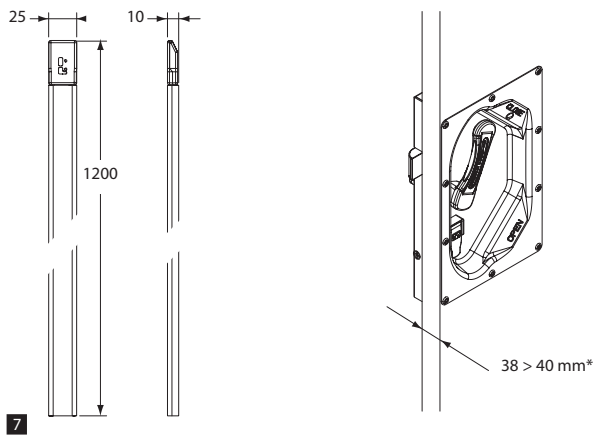
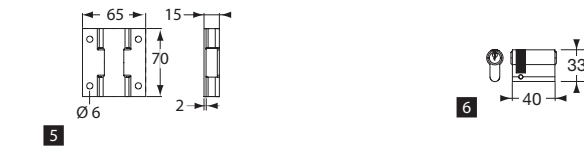
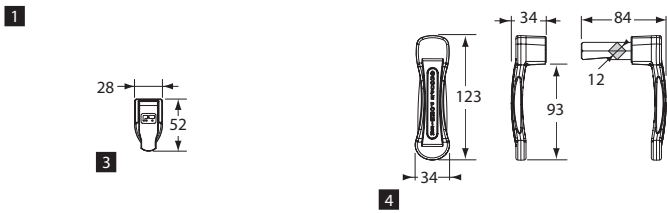
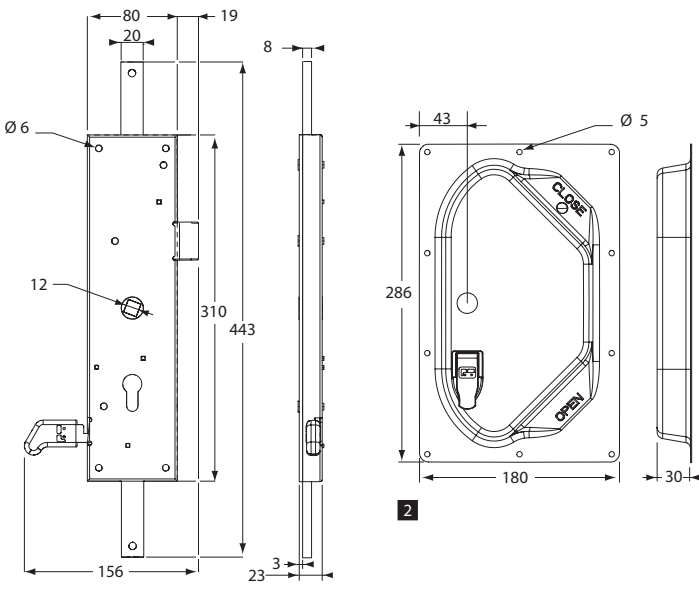
6 2243480CV  
Varied key  
2243480MN  
Same key

2243483GU  
Zinc plated steel 5

7 2243483TR  
Zinc plated steel



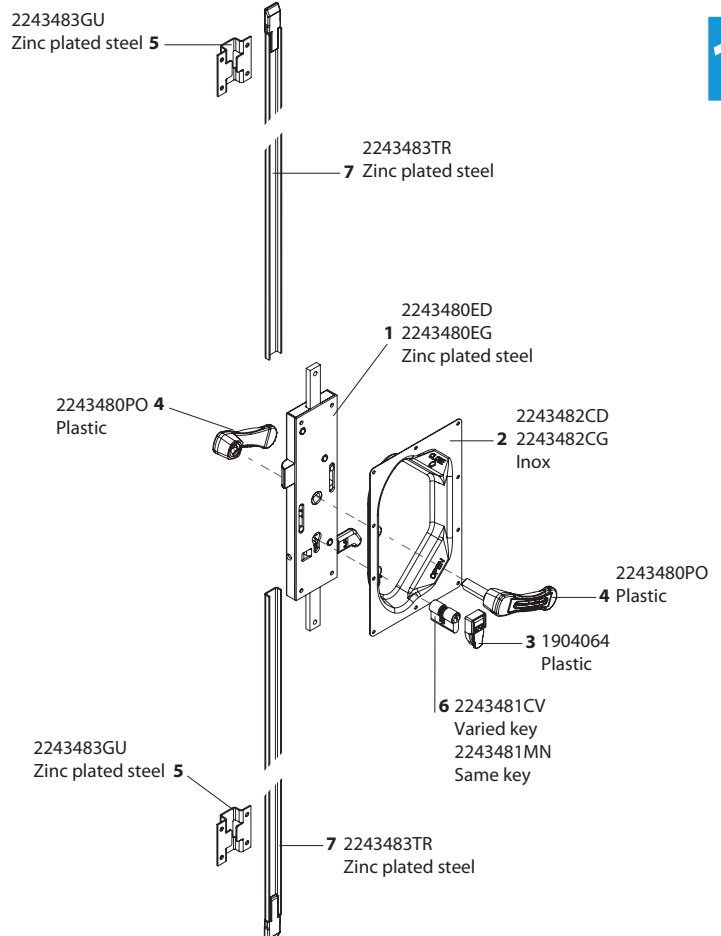
### ZESTAW ZAMKNIĘCIA RYGLOWEGO Z CIĘGNAMI - ROD LOCK KIT



Zamknięcie ryglowe kompletne, 2 prowadniki, 2 stalowe rygle H 1200 mm z wstawianymi językami, 1 zamek centralny, 1 miska ze stali inox z przykrywką zamka, 1 bębenek zamka różne kombinacje (\*) ten sam klucz (\*\*), 1 zestaw klamek, 1 naklejka użytkownika (na rysunku zamek prawy).

*Rod lock kit fitted with 2 brackets, 2 steel rods H 1200 mm with welded cam, 1 central body, 1 stainless steel pan with lock cover, 1 barrel 10 x 30 varied key combinations (\*) or same key number (\*\*), 1 handles set, 1 user label (right lock as illustrated).*

| Nr katalog.<br>Reference | Kg    | Strona<br>Hand | Typ<br>Type |
|--------------------------|-------|----------------|-------------|
| 2243484FD                | 4,745 | Prawa<br>Right | *           |
| 2243484FG                | 4,745 | Lewa<br>Left   | *           |
| 2243485FD                | 4,745 | Prawa<br>Right | **          |
| 2243485FG                | 4,745 | Lewa<br>Left   | **          |



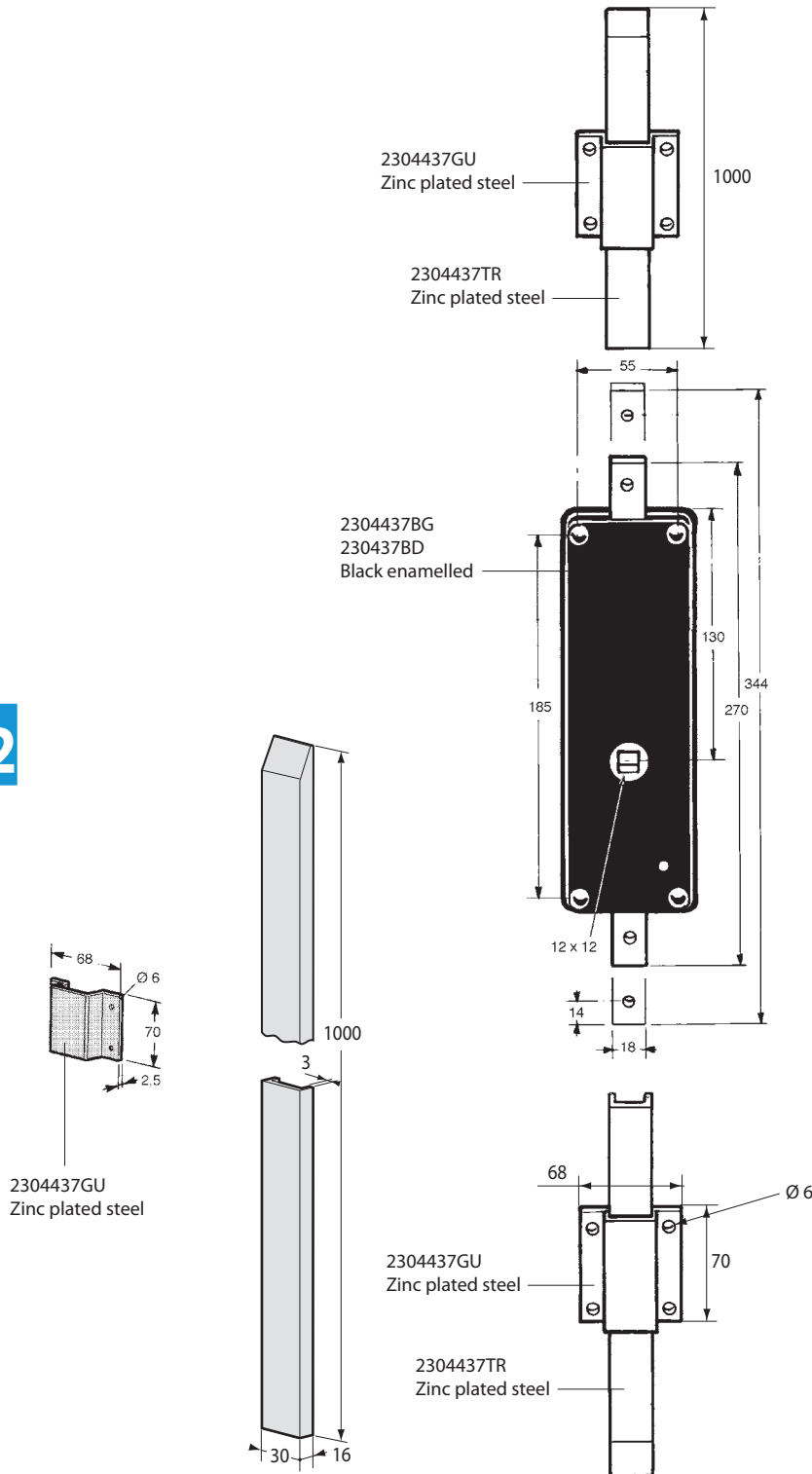
ZESTAW ZAMKNIĘCIA RYGLOWEGO Z CIĘGNAMI - *ROD LOCK KIT*

Zamknięcie ryglowe ze stali ocynkowanej, 2 prowadniki, 2 stalowe rygle H 1000 mm, 1 zamek centralny (lewy zamek jak na ilustracji).

*Zinc plated steel rod lock kit fitted with 2 brackets, 2 steel rods H 1000 mm, 1 central body (left lock as illustrated).*

| Nr katalog.<br>Reference | KG   | Zakończyć<br>Finish            | Strona<br>Hand |
|--------------------------|------|--------------------------------|----------------|
| 2304437CD                | 4,24 | Stal ocynkowana<br>Zinc plated | Prawa<br>Right |
| 2304437CG                | 4,24 | Stal ocynkowana<br>Zinc plated | Lewa<br>Left   |

12

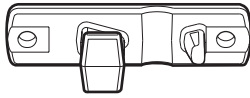


ZESTAW ZAMKNIĘCIA RYGLOWEGO ŚCIENNEGO Ø16 STAL NIERDZEWNA - EXTERNAL LOCKING GEAR KIT Ø16 STAINLESS STEEL

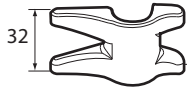
Zamknięcie obrotowe, kompletne, nierdzewne, bez pręta Ø 16.

*Stainless steel locking gear without Ø 16 rod.*

| Nr katalog.<br>Reference | $\frac{\text{kg}}{\text{kg}}$ | Zakończyć<br>Finish                |
|--------------------------|-------------------------------|------------------------------------|
| 2344710CC                | 2,600                         | Stal nierdzewna<br>Stainless steel |



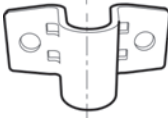
2344530GA  
Stainless steel



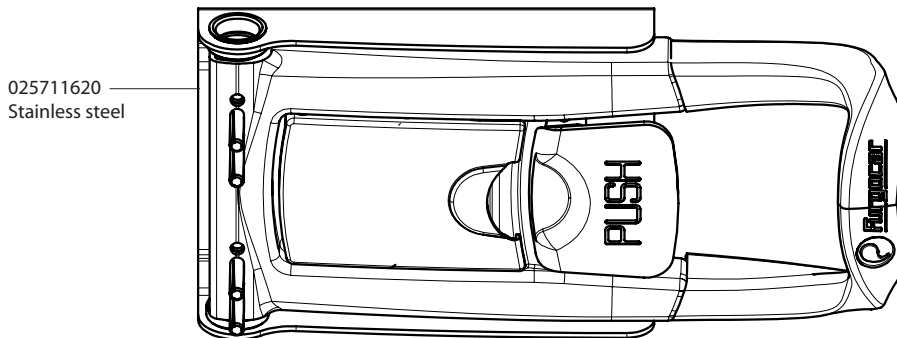
2344533PI  
Stainless steel



025704380  
Plastic



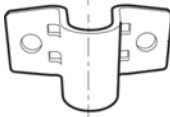
025704370  
Stainless steel



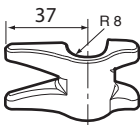
025711620  
Stainless steel



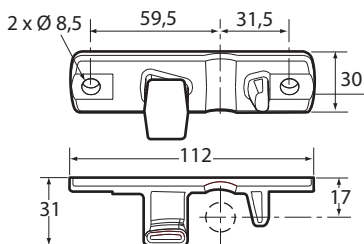
025704380  
Plastic



025704370  
Stainless steel



2344533PI  
Stainless steel



2344530GA  
Stainless steel

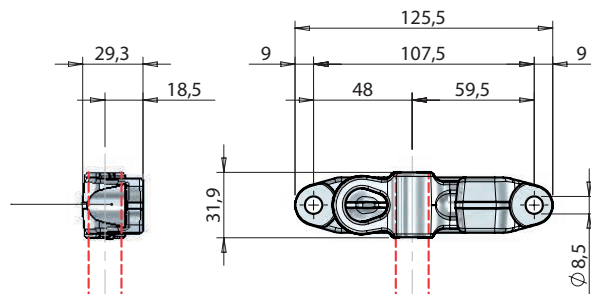
ZESTAW ZAMKNIĘCIA RYGLOWEGO ŚCIENNEGO Ø16 STAL NIERDZEWNA - EXTERNAL LOCKING GEAR KIT Ø16 STAINLESS STEEL

Zestaw zamknięcia ryglowego ściennego  
ST1 Ø 16.

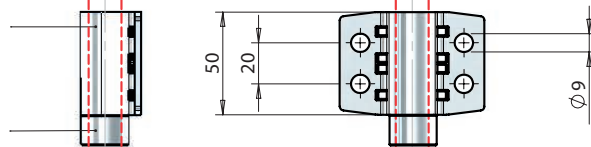
External locking gear Kit Ø 16 ST1.



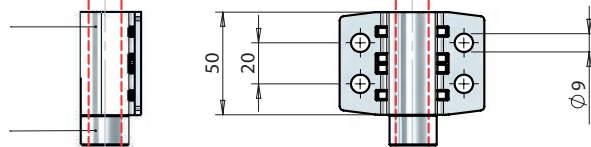
2 pcs.  
Inox 025704342  
Zinc Plated 026104352



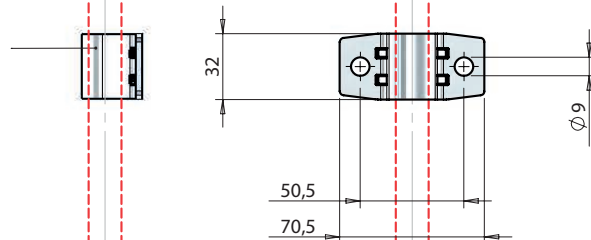
2 pcs.  
Inox 025704360  
Zinc Plated 026104361



2 pcs.  
Inox 025704390  
Zinc Plated 026104391

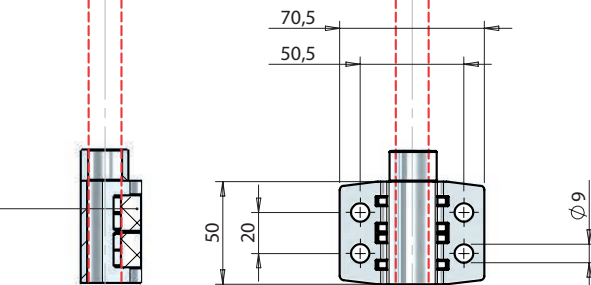


1 pc.  
Inox 025704370  
Zinc Plated 026104371

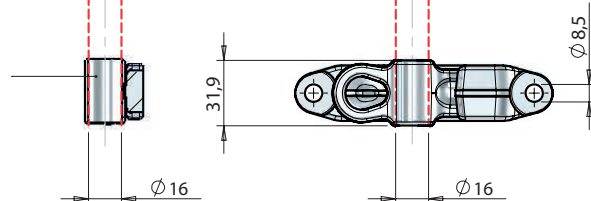


12

5 pcs.  
Plastic 025704380



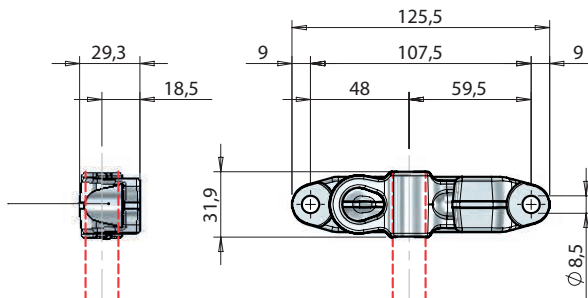
2 pcs.  
Inox 025704341  
Zinc Plated 026104351



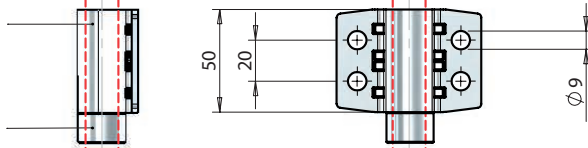
**ZESTAW ZAMKNIĘCIA RYGLOWEGO ŚCIENNEGO Ø16 - EXTERNAL LOCKING GEAR KIT Ø16**

Zestaw zamknięcia ryglowego ściennego ST1 Ø 16.  
*External locking gear Kit Ø 16 ST1.*

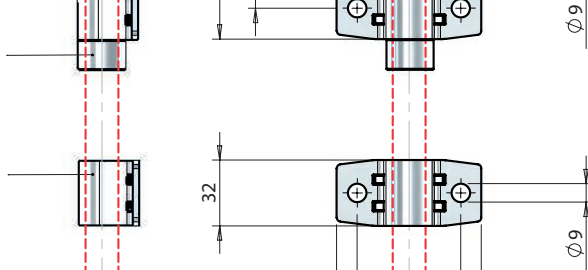
2 pcs.  
 Inox 025704342  
 Zinc Plated 026104352



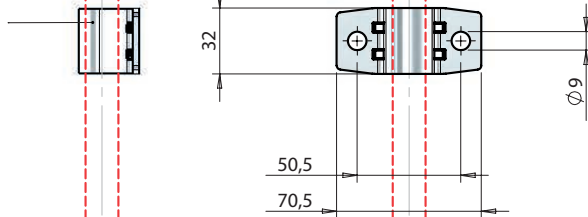
2 pcs.  
 Inox 025704360  
 Zinc Plated 026104361



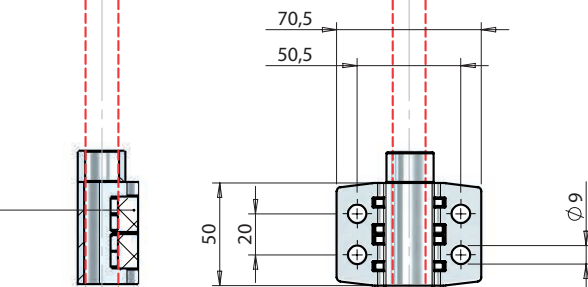
2 pcs.  
 Inox 025704390  
 Zinc Plated 026104391



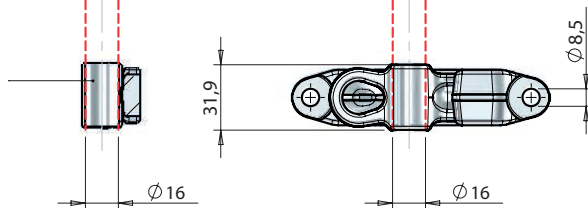
1 pc.  
 Inox 025704370  
 Zinc Plated 026104371



5 pcs.  
 Plastic 025704380

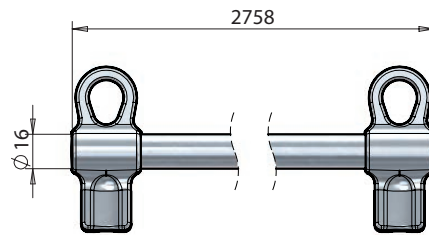
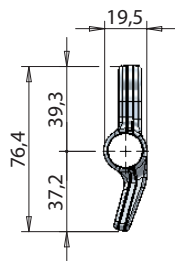


2 pcs.  
 Inox 025704341  
 Zinc Plated 026104351

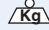


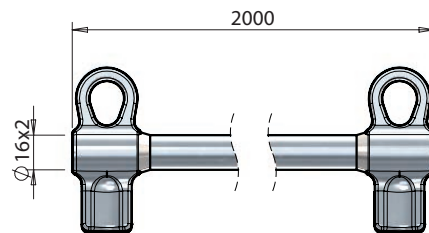
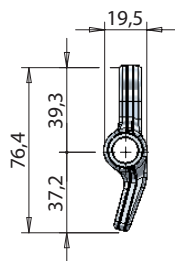
| Nr katalog.<br>Reference | $\frac{\text{kg}}$ | Zakończyć<br>Finish            |
|--------------------------|--------------------|--------------------------------|
| 022511053                | 1,1                | Stal ocynkowana<br>Zinc plated |

ZESTAW ZAMKNIĘCIA RYGLOWEGO ŚCIENNEGO Ø16 - EXTERNAL LOCKING GEAR KIT Ø16

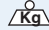


Sworzeń Ø 16 z zaczepami ST1 przyspawanymi dla gniazda rygla, mocowanie pionowe.  
*Rod Ø 16 assembled with ST1 cams for vertical operation keepers.*

| Nr katalog.<br><i>Reference</i> |  Kg | Zakończyć<br><i>Finish</i>     |
|---------------------------------|--|--------------------------------|
| 02160311A                       | 4,58   | Stal ocynkowana<br>Zinc plated |

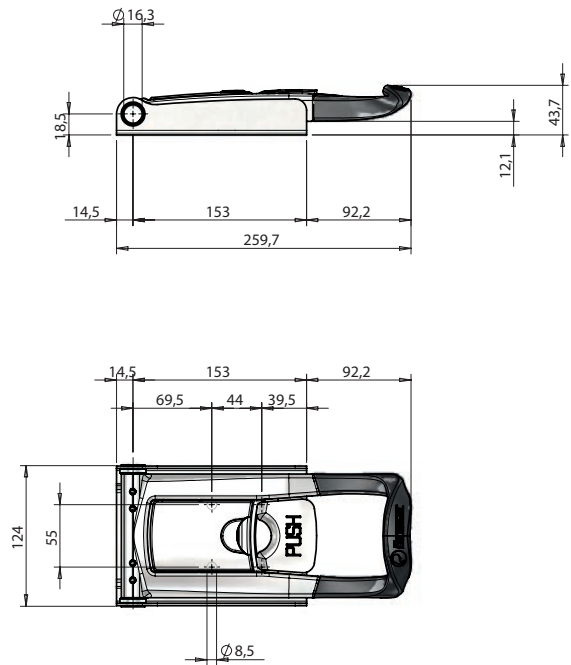


Sworzeń Ø 16 x 2 z zaczepami ST1 przyspawanymi dla gniazda rygla, mocowanie pionowe.  
*Rod Ø 16 x 2 mm assembled with ST1 cams for vertical operation keepers.*

| Nr katalog.<br><i>Reference</i> |  Kg | Zakończyć<br><i>Finish</i>     |
|---------------------------------|--|--------------------------------|
| 02160311B                       | 1,63   | Stal ocynkowana<br>Zinc plated |



**UCHWYTY BOCZNE DO ZAMKNIĘCIA RYGLOWEGO ŚCIENNEGO Ø16 STAL NIERDZEWNA - HANDLES FOR EXTERNAL LOCKING GEAR Ø16 STAINLESS STEEL**

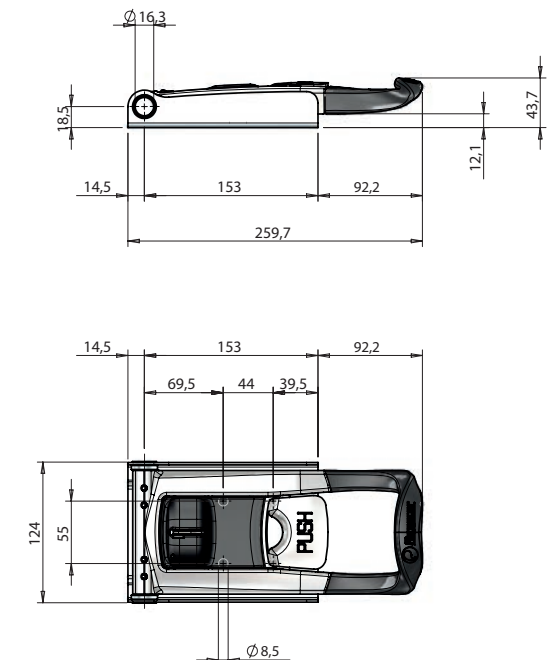


Uchwyt TORSEO Ø16 PUSH wpuszczany. Punkty mocowania wewnętrzne z osłoną i bębniem zamka.  
 TORSEO Ø16 PUSH external handle. Internal holes, standard cover & barrel.



| Nr katalog.<br>Reference |  Kg | Zakończyć<br>Finish                |
|--------------------------|--|------------------------------------|
| 025711620                | 1,45   | Stal nierdzewna<br>Stainless steel |

12

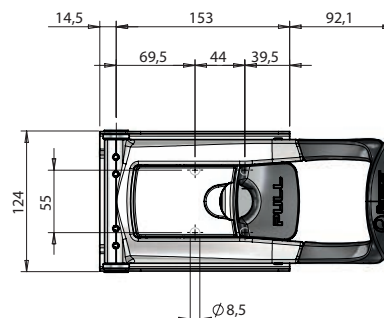
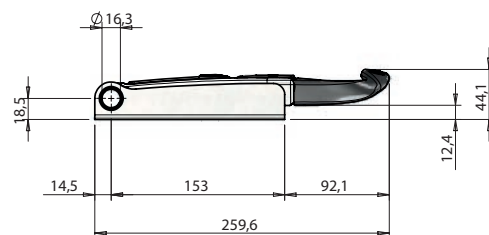


Uchwyt TORSEO Ø16 PUSH wpuszczany. Punkty mocowania wewnętrzne ze specjalną osłoną na kłódkę.  
 TORSEO Ø16 PUSH external handle. Internal holes, paddle lock cover.



| Nr katalog.<br>Reference |  Kg | Zakończyć<br>Finish                |
|--------------------------|--|------------------------------------|
| 025711657                | 1,40   | Stal nierdzewna<br>Stainless steel |

UCHWYTY BOCZNE DO ZAMKNIĘCIA RYGLOWEGO ŚCIENNEGO Ø16 STAL NIERDZEWNA - HANDLES FOR EXTERNAL LOCKING GEAR Ø16 STAINLESS STEEL

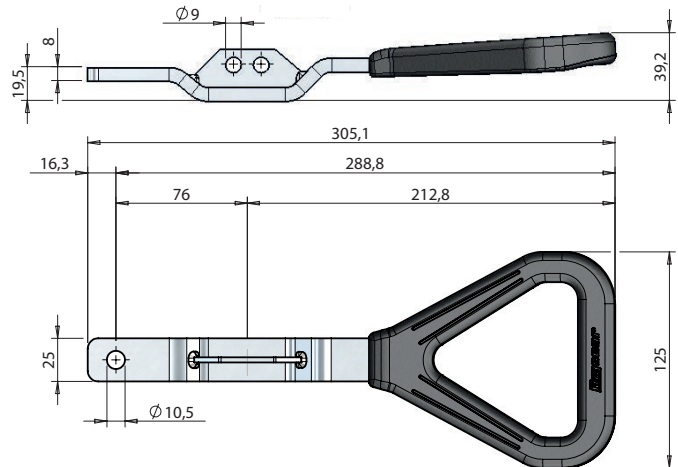


Uchwyt TORSEO Ø16 PULL wpuszczany. Punkty mocowania wewnętrzne z osłoną i bębniem zamka.  
TORSEO Ø16 PULL external handle. Internal holes, standard cover & barrel.



| Nr katalog.<br>Reference |  Kg | Zakończyć<br>Finish                |
|--------------------------|--|------------------------------------|
| 025711621                | 1,54   | Stal nierdzewna<br>Stainless steel |

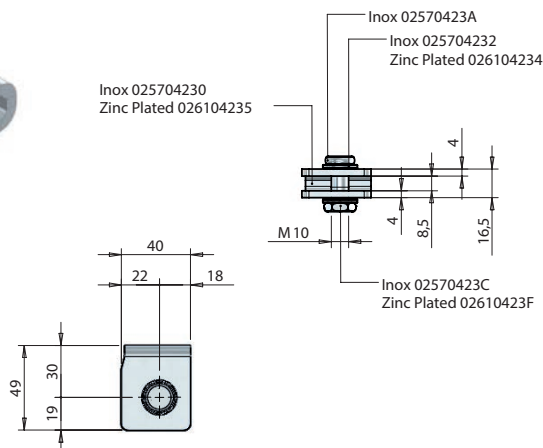
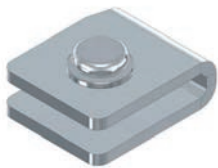
### UCHWYTY BOCZNE DO ZAMKNIĘCIA RYGLOWEGO ŚCIENNEGO Ø16 STAL NIERDZEWNA - HANDLES FOR EXTERNAL LOCKING GEAR Ø16 STAINLESS STEEL



Klamka ERGO P/L 25 x 8 mm, z plastikiem ochronnym.  
RH/LH plastic coated ERGO lever 25 x 8 mm.



| Nr katalog.<br>Reference | $\frac{Kg}{\Delta}$ | Zakończyć<br>Finish                |
|--------------------------|---------------------|------------------------------------|
| 025710552                | 0,53                | Stal nierdzewna<br>Stainless steel |

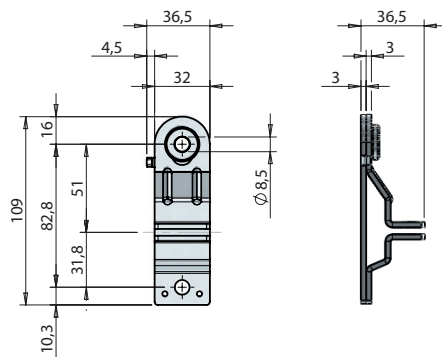
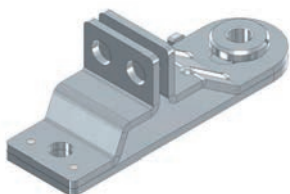


Zestaw osłony klamki Ø 16, komplet.  
Lever mount Kit Ø 16 complete with bolt, washers and nut.



| Nr katalog.<br>Reference | $\frac{Kg}{\Delta}$ | Zakończyć<br>Finish                |
|--------------------------|---------------------|------------------------------------|
| 025711049                | 0,154               | Stal nierdzewna<br>Stainless steel |

12



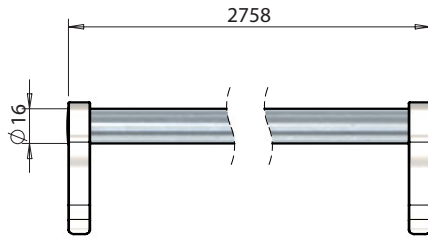
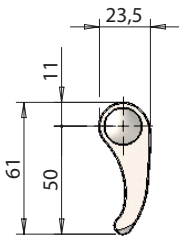
Rygiel klamki 25 x 8 mm.  
Lever retainer 25 x 8 mm.



| Nr katalog.<br>Reference | $\frac{Kg}{\Delta}$ | Zakończyć<br>Finish                |
|--------------------------|---------------------|------------------------------------|
| 025704180                | 0,184               | Stal nierdzewna<br>Stainless steel |

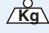


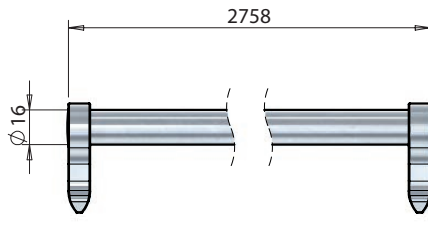
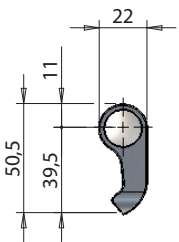
**ZESTAW ZAMKNIĘCIA RYGLOWEGO WPUSZCZANY Ø16 - RECESSED LOCKING GEAR KIT Ø16**



Sworzeń Ø 16 z zaczepami przyspawanymi dla gniazda rygla do mocowania poziomego.  
*Rod Ø 16 assembled with universal cams for horizontal operation keepers.*

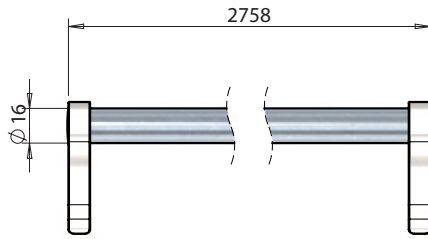
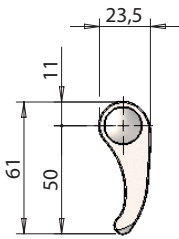


| Nr katalog.<br>Reference |  Kg | Zakończyć<br>Finish                |
|--------------------------|--|------------------------------------|
| 021603124                | 4,45   | Stal nierdzewna<br>Stainless steel |




Sworzeń Ø 16 z zaczepami przyspawanymi dla gniazda rygla do mocowania poziomego.  
*Rod Ø 16 assembled with cams for horizontal operation keepers.*

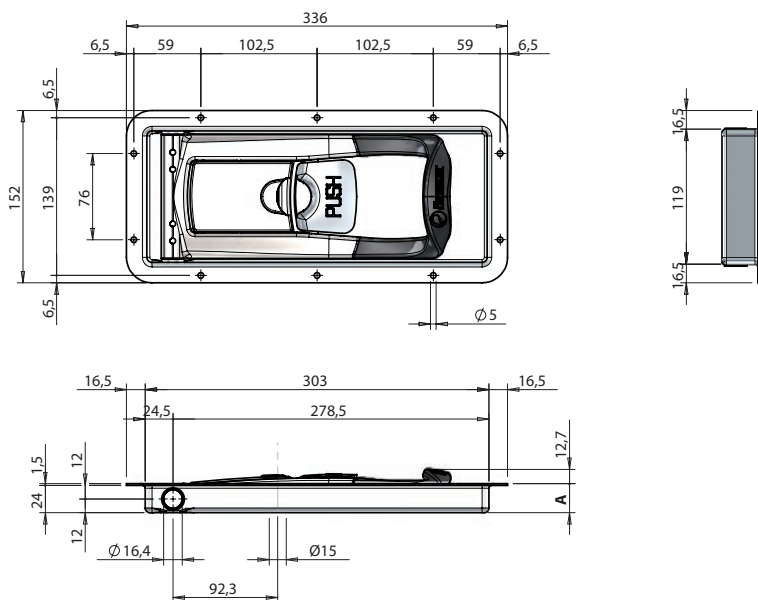
| Nr katalog.<br>Reference |  Kg | Zakończyć<br>Finish            |
|--------------------------|--|--------------------------------|
| 021603121                | 4,495  | Stal ocynkowana<br>Zinc plated |



Sworzeń Ø 16 z zaczepami przyspawanymi dla gniazda rygla, mocowanie pionowe.  
*Rod Ø 16 assembled with universal cams for horizontal operation keepers.*

| Nr katalog.<br>Reference |  Kg | Zakończyć<br>Finish            |
|--------------------------|--|--------------------------------|
| 021603125                | 4,51   | Stal ocynkowana<br>Zinc plated |

UCHWYTY DO ZAMKNIĘCIA RYGLOWEGO WPUSZCZANE Ø16 STAL NIERDZEWNA - HANDLES FOR RECESSED LOCKING GEAR Ø16 STAINLESS STEEL

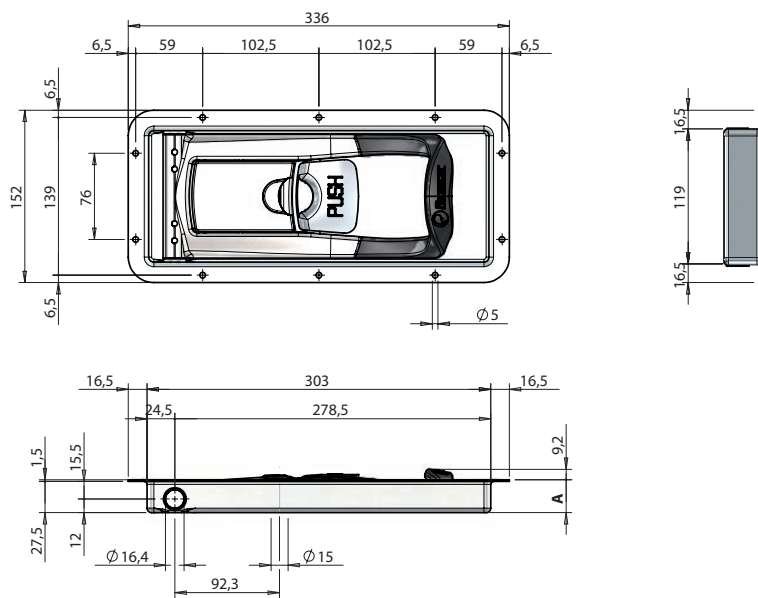


Uchwyt TORSEO Ø16 PUSH wpuszczany, 25,5 mm. Mocowanie konturowe z osłoną i bębniem zamka.  
TORSEO Ø16 PUSH recessed handle 25,5 mm. Perimetric holes, standard cover & barrel.



| Nr katalog.<br>Reference | $\frac{Kg}{\square}$ | A<br>(mm) | Zakończyć<br>Finish                |
|--------------------------|----------------------|-----------|------------------------------------|
| 020911565                | 1,74                 | 25,5      | Stal nierdzewna<br>Stainless steel |

12



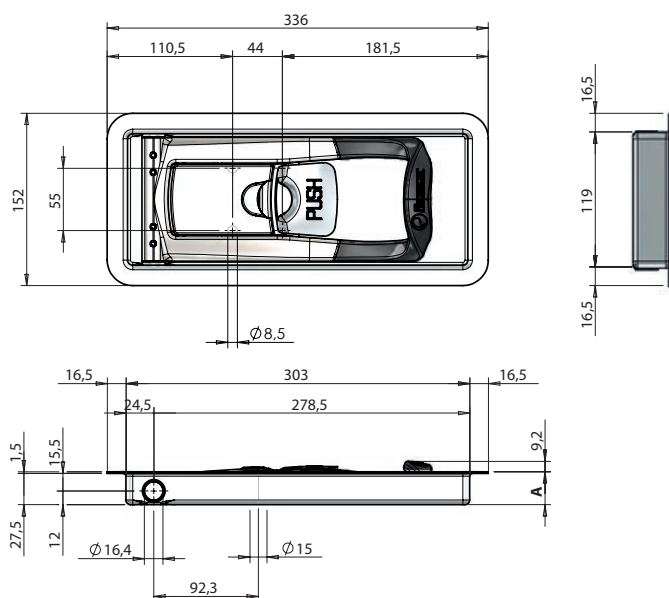
Uchwyt TORSEO Ø16 PUSH wpuszczany, 29 mm. Mocowanie konturowe z osłoną i bębniem zamka.  
TORSEO Ø16 PUSH recessed handle 29 mm. Perimetric holes, standard cover & barrel.



| Nr katalog.<br>Reference | $\frac{Kg}{\square}$ | A<br>(mm) | Zakończyć<br>Finish                |
|--------------------------|----------------------|-----------|------------------------------------|
| 020911563                | 1,74                 | 29        | Stal nierdzewna<br>Stainless steel |



## UCHWYTY DO ZAMKNIĘCIA RYGLOWEGO WPUSZCZANE Ø16 STAL NIERDZEWNA - HANDLES FOR RECESSED LOCKING GEAR Ø16 STAINLESS STEEL

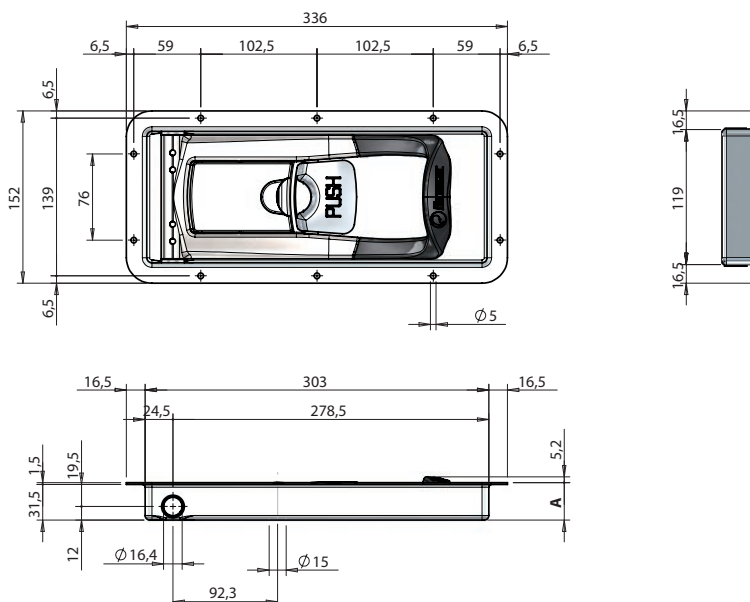


Uchwyt TORSEO Ø16 PUSH wpuszczany, 29 mm. Mocowanie wewnętrzne z osłoną i bębniem zamka.  
TORSEO Ø16 PUSH recessed handle 29 mm. Internal holes, standard cover & barrel.

Furgocar  
EMER QUALITY

| Nr katalog.<br>Reference | $\frac{Kg}{\Delta}$ | A<br>(mm) | Zakończyć<br>Finish                |
|--------------------------|---------------------|-----------|------------------------------------|
| 020911564                | 1,74                | 29        | Stal nierdzewna<br>Stainless steel |

12

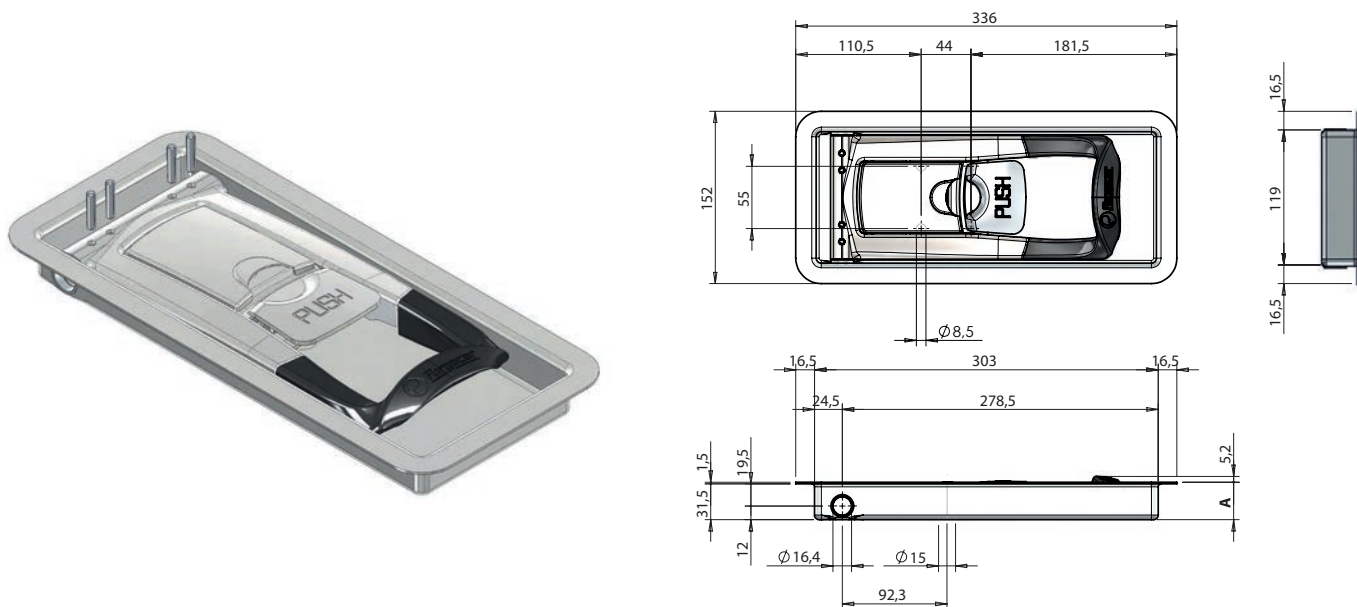


Uchwyt TORSEO Ø16 PUSH wpuszczany, 33 mm. Mocowanie konturowe z osłoną i bębniem zamka.  
TORSEO Ø16 PUSH recessed handle 33 mm. Perimetric holes, standard cover & barrel.

Furgocar  
EMER QUALITY

| Nr katalog.<br>Reference | $\frac{Kg}{\Delta}$ | A<br>(mm) | Zakończyć<br>Finish                |
|--------------------------|---------------------|-----------|------------------------------------|
| 020911635                | 1,74                | 33        | Stal nierdzewna<br>Stainless steel |

UCHWYTY DO ZAMKNIĘCIA RYGLOWEGO WPUSZCZANE Ø16 STAL NIERDZEWNA - HANDLES FOR RECESSED LOCKING GEAR Ø16 STAINLESS STEEL

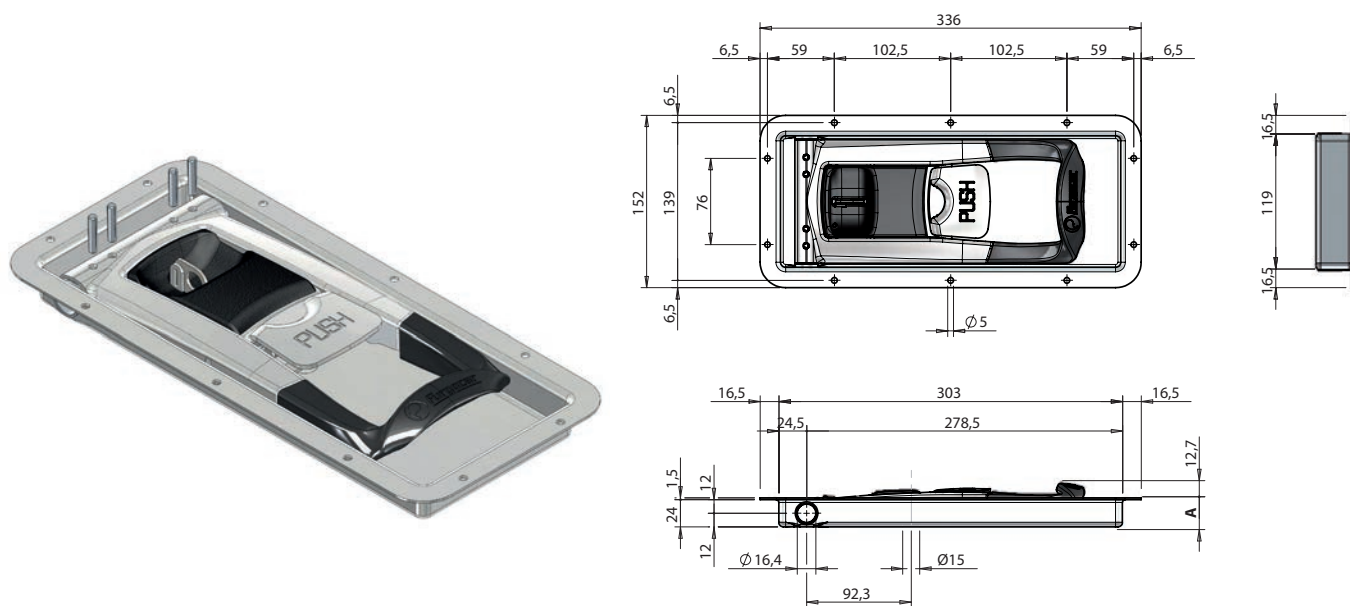


Uchwyt TORSEO Ø16 PUSH wpuszczany, 33 mm. Mocowanie wewnętrzne z osłoną i bębniem zamka.  
TORSEO Ø16 PUSH recessed handle 33 mm. Internal holes, standard cover & barrel.



| Nr katalog.<br>Reference | Kg   | A<br>(mm) | Zakończyć<br>Finish                |
|--------------------------|------|-----------|------------------------------------|
| 020911636                | 1,74 | 33        | Stal nierdzewna<br>Stainless steel |

12



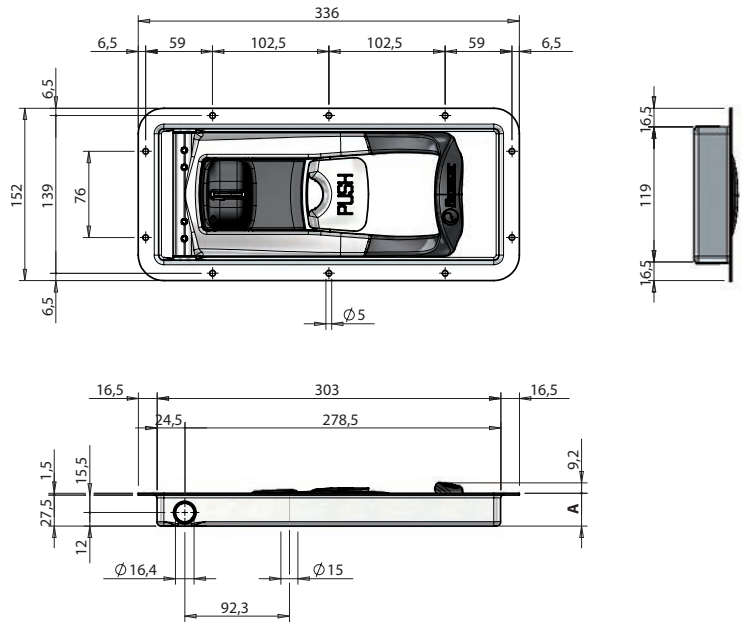
Uchwyt TORSEO Ø16 PUSH wpuszczany, 25,5 mm. Mocowanie konturowe ze specjalną osłoną na kłódkę.  
TORSEO Ø16 PUSH recessed handle 25,5 mm. Perimetric holes, paddle lock cover.



| Nr katalog.<br>Reference | Kg   | A<br>(mm) | Zakończyć<br>Finish                |
|--------------------------|------|-----------|------------------------------------|
| 020911654                | 1,70 | 25,5      | Stal nierdzewna<br>Stainless steel |



## UCHWYTY DO ZAMKNIĘCIA RYGLOWEGO WPUSZCZANE Ø16 STAL NIERDZEWNA - HANDLES FOR RECESSED LOCKING GEAR Ø16 STAINLESS STEEL

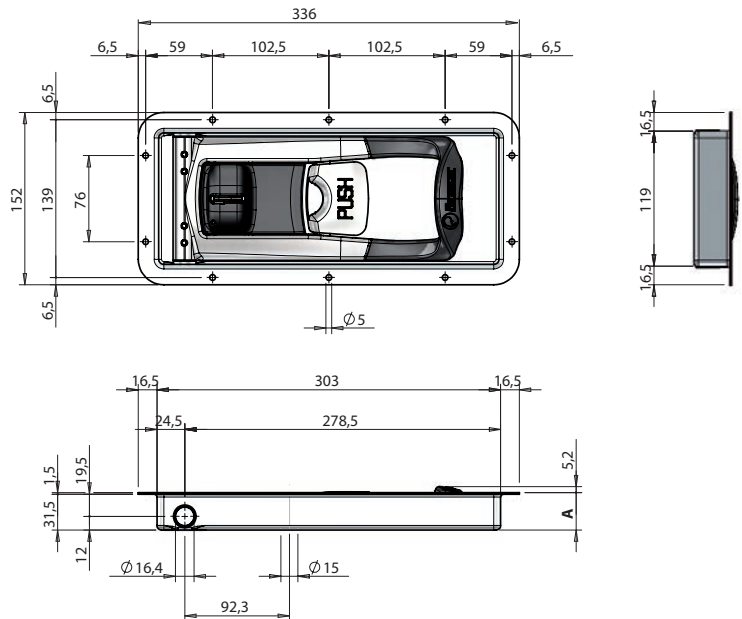


Uchwyt TORSEO Ø16 PUSH wpuszczany, 29 mm. Mocowanie konturowe ze specjalną osłoną na kłódkę.  
TORSEO Ø16 PUSH recessed handle 29 mm. Perimetric holes, paddle lock cover.



| Nr katalog.<br>Reference | $\frac{\text{kg}}{\text{kg}}$ | A<br>(mm) | Zakończyć<br>Finish                |
|--------------------------|-------------------------------|-----------|------------------------------------|
| 020911652                | 1,70                          | 29        | Stal nierdzewna<br>Stainless steel |

12

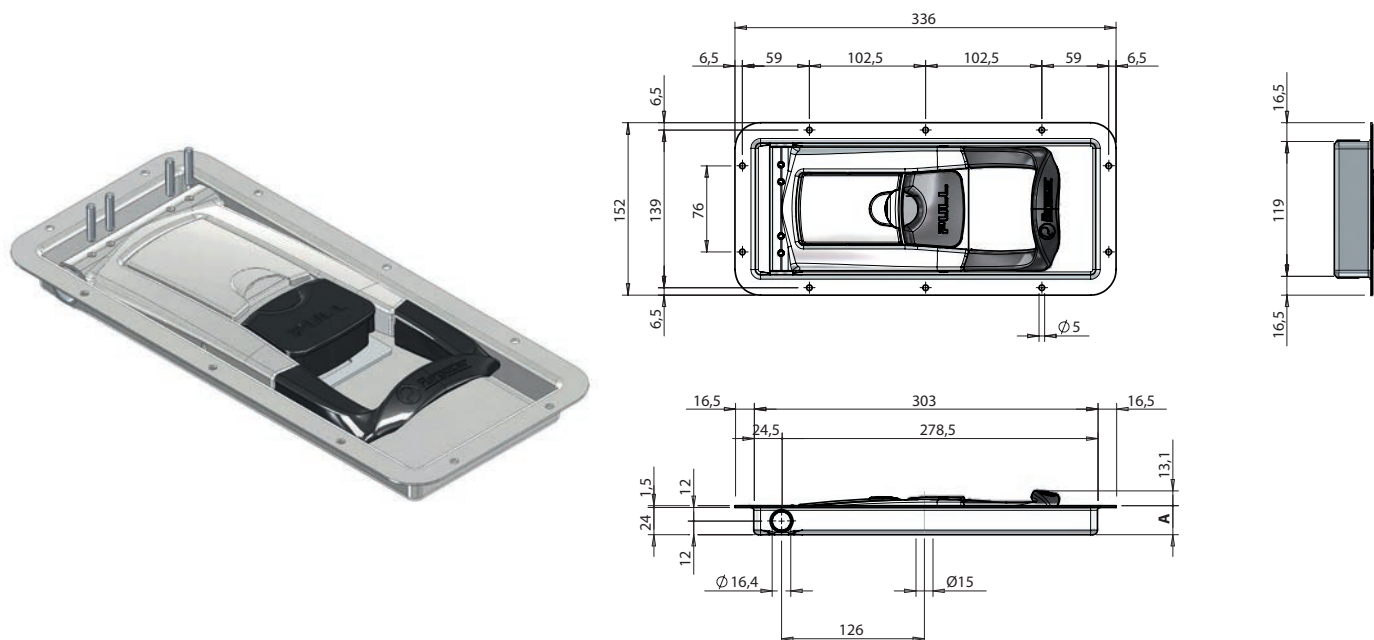


Uchwyt TORSEO Ø16 PUSH wpuszczany, 33 mm. Mocowanie konturowe ze specjalną osłoną na kłódkę.  
TORSEO Ø16 PUSH recessed handle 33 mm. Perimetric holes, paddle lock cover.



| Nr katalog.<br>Reference | $\frac{\text{kg}}{\text{kg}}$ | A<br>(mm) | Zakończyć<br>Finish                |
|--------------------------|-------------------------------|-----------|------------------------------------|
| 020911655                | 1,70                          | 33        | Stal nierdzewna<br>Stainless steel |

UCHWYTY DO ZAMKNIĘCIA RYGLOWEGO WPUSZCZANE Ø16 STAL NIERDZEWNA - HANDLES FOR RECESSED LOCKING GEAR Ø16 STAINLESS STEEL

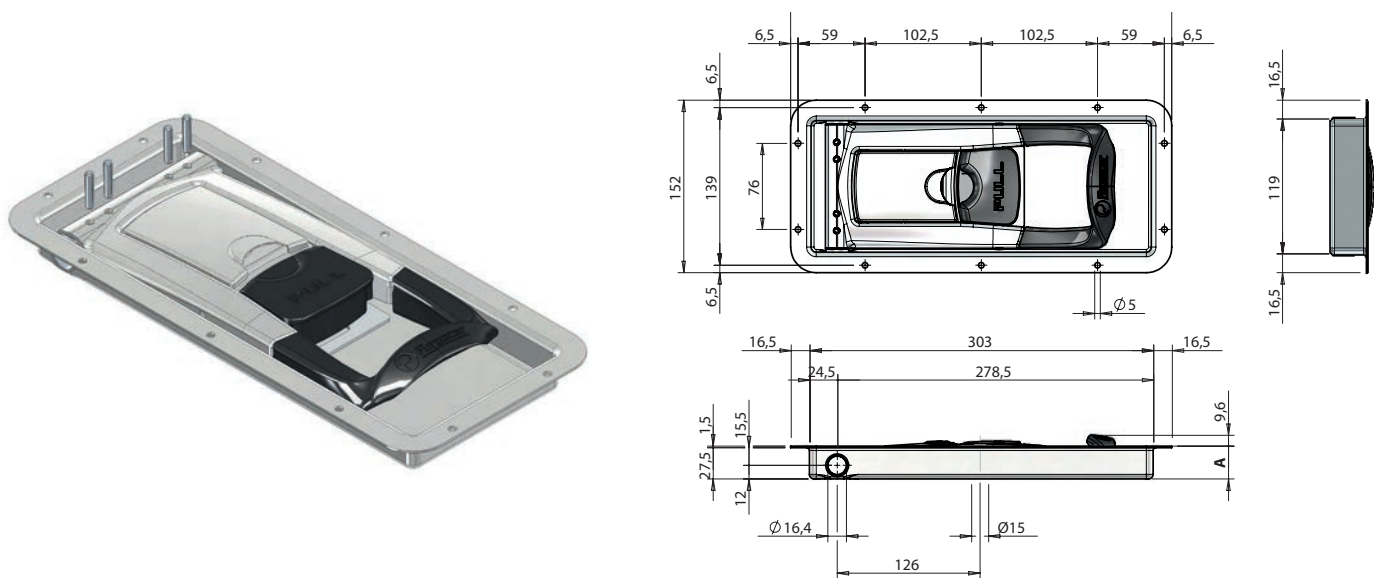


Uchwyt TORSEO Ø16 PULL wpuszczany, 25,5 mm. Mocowanie konturowe z osłoną i bębenkiem zamka.  
TORSEO Ø16 PULL recessed handle 25,5 mm. Perimetric holes, standard cover & barrel.



| Nr katalog.<br>Reference | $\frac{\circ}{Kg}$ | A<br>(mm) | Zakończyć<br>Finish                |
|--------------------------|--------------------|-----------|------------------------------------|
| 020911568                | 1,87               | 25,5      | Stal nierdzewna<br>Stainless steel |

12

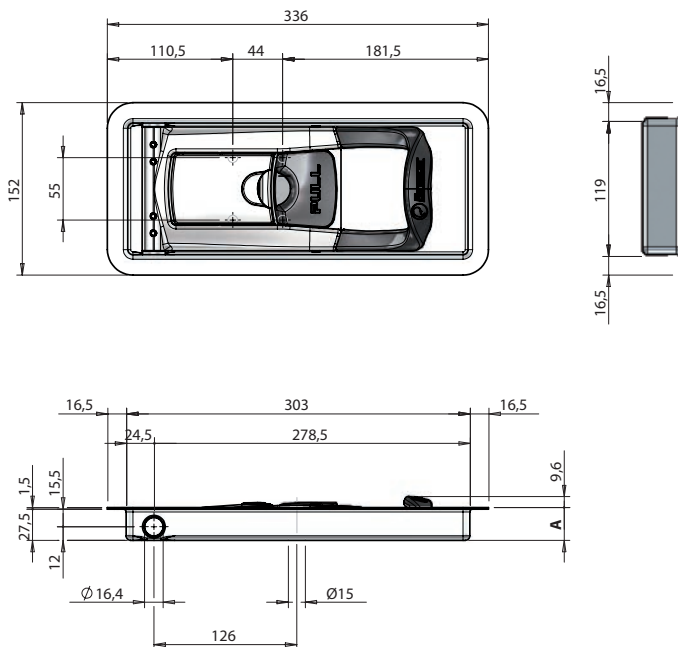


Uchwyt TORSEO Ø16 PULL wpuszczany, 29 mm. Mocowanie konturowe z osłoną i bębenkiem zamka.  
TORSEO Ø16 PULL recessed handle 29 mm. Perimetric holes, standard cover & barrel.



| Nr katalog.<br>Reference | $\frac{\circ}{Kg}$ | A<br>(mm) | Zakończyć<br>Finish                |
|--------------------------|--------------------|-----------|------------------------------------|
| 020911566                | 1,87               | 29        | Stal nierdzewna<br>Stainless steel |

**UCHWYTY DO ZAMKNIĘCIA RYGLOWEGO WPUSZCZANE Ø16 STAL NIERDZEWNA - HANDLES FOR RECESSED LOCKING GEAR Ø16 STAINLESS STEEL**

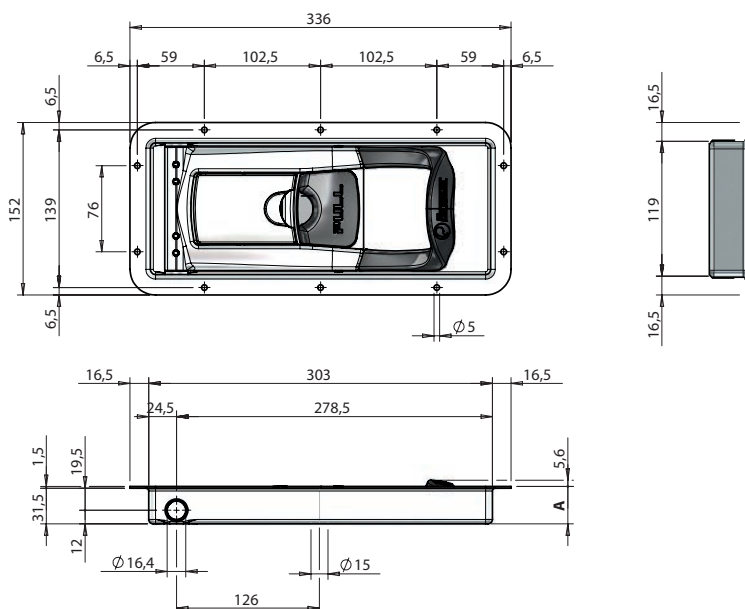


Uchwyt TORSEO Ø16 PULL wpuszczany, 29 mm. Mocowanie wewnętrzne z osłoną i bębenkiem zamka.  
 TORSEO Ø16 PULL recessed handle 29 mm. Internal holes, standard cover & barrel.



| Nr katalog.<br>Reference | $\frac{\text{kg}}{\Delta}$ | A<br>(mm) | Zakończyć<br>Finish                |
|--------------------------|----------------------------|-----------|------------------------------------|
| 020911567                | 1,87                       | 29        | Stal nierdzewna<br>Stainless steel |

**12**

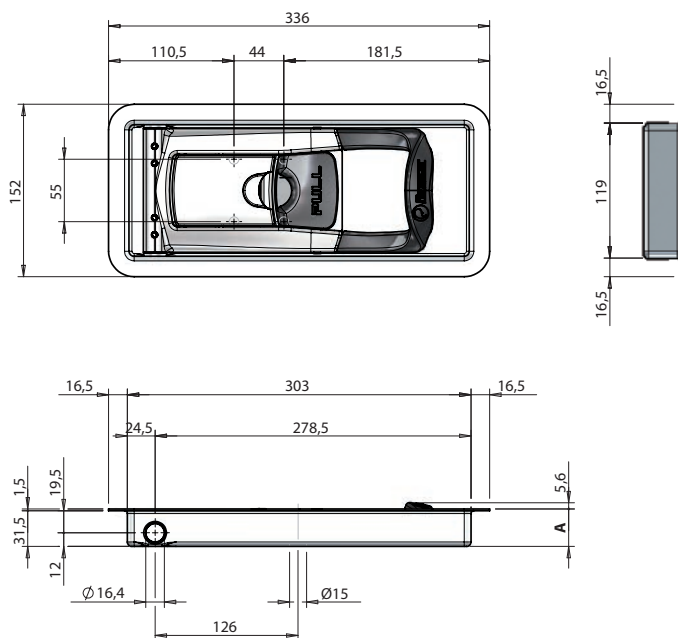


Uchwyt TORSEO Ø16 PULL wpuszczany, 33 mm. Mocowanie wewnętrzne z osłoną i bębenkiem zamka.  
 TORSEO Ø16 PULL recessed handle 33 mm. Perimetric holes, standard cover & barrel.



| Nr katalog.<br>Reference | $\frac{\text{kg}}{\Delta}$ | A<br>(mm) | Zakończyć<br>Finish                |
|--------------------------|----------------------------|-----------|------------------------------------|
| 020911637                | 1,37                       | 33        | Stal nierdzewna<br>Stainless steel |

UCHWYTY DO ZAMKNIĘCIA RYGLOWEGO WPUSZCZANE Ø16 STAL NIERDZEWNA - HANDLES FOR RECESSED LOCKING GEAR Ø16 STAINLESS STEEL

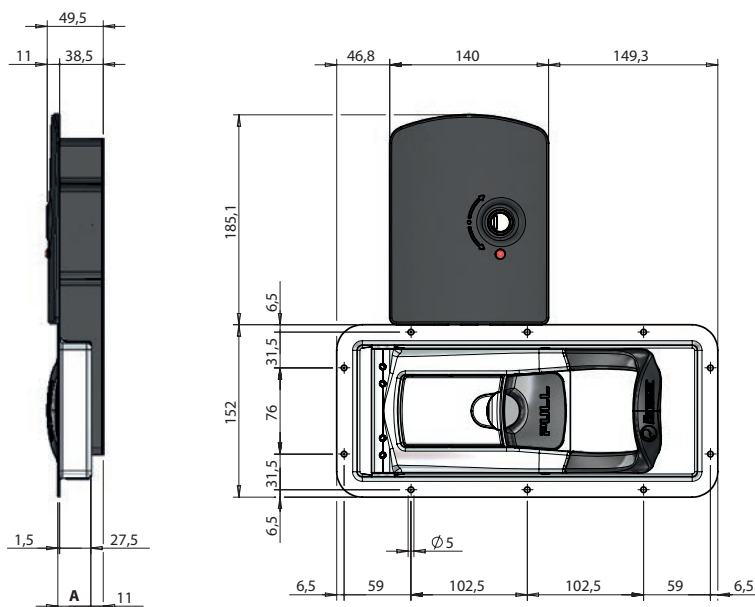
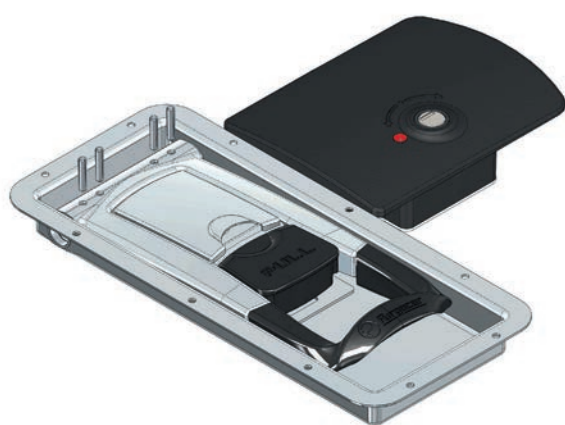


Uchwyt TORSEO Ø16 PULL wpuszczany, 33 mm. Mocowanie wewnętrzne z osłoną i bębenkiem zamka.  
TORSEO Ø16 PULL recessed handle 33 mm. Internal holes, standard cover & barrel.



| Nr katalog.<br>Reference | $\frac{\circ}{Kg}$ | A<br>(mm) | Zakończyć<br>Finish                |
|--------------------------|--------------------|-----------|------------------------------------|
| 020911638                | 1,87               | 33        | Stal nierdzewna<br>Stainless steel |

12

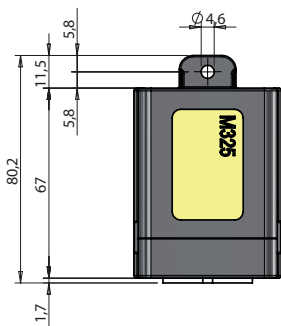
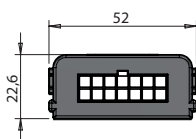


Uchwyt TORSEO Ø16 PULL wpuszczany, 29 mm. Mocowanie konturowe zdalnie sterowane.  
TORSEO Ø16 PULL recessed handle 29 mm. Perimetric holes, remote control.




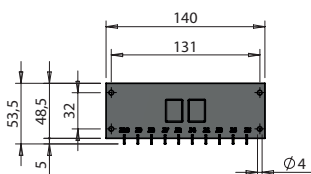
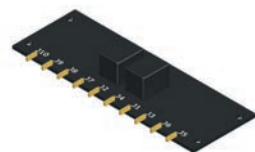
| Nr katalog.<br>Reference | $\frac{\circ}{Kg}$ | A<br>(mm) | Zakończyć<br>Finish                |
|--------------------------|--------------------|-----------|------------------------------------|
| 020911647                | 3,80               | 29        | Stal nierdzewna<br>Stainless steel |

## UCHWYTY DO ZAMKNIĘCIA RYGLOWEGO WPUSZCZANE Ø16 STAL NIERDZEWNA - HANDLES FOR RECESSED LOCKING GEAR Ø16 STAINLESS STEEL



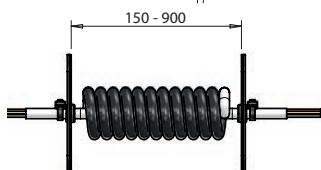
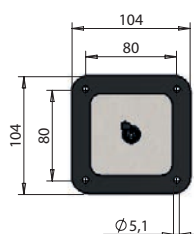
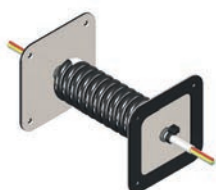
Odbiornik + wiązki elektryczną, dostarczane z 2 pilota.  
*Receiver with electric beam delivered with 2 remote control.*

| Nr katalog.<br>Reference |  |
|--------------------------|---|
| 025711173                | 0,40  |



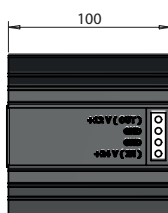
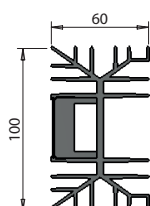
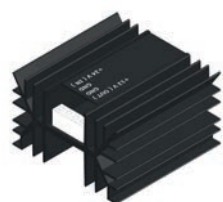
Karta o mocy 12V-30A.  
*12V-30A power relay board.*

| Nr katalog.<br>Reference |  | Zakończyć<br>Finish   |
|--------------------------|---|-----------------------|
| 025711188                | 0,106   | Plastikowy<br>Plastic |



Kabel łączący 5 x 1 mm<sup>2</sup>, wtyczka 6.35 mm. Rozpiętość kabla: 150-900 mm. Płytki inox uszczelniona.  
*Junction cable 5 x 1 mm<sup>2</sup>, 6.35 mm connectors. Extendable from 150 to 900 mm. Stainless steel plates with gaskets.*

| Nr katalog.<br>Reference |  | Długość<br>Length |
|--------------------------|---|-------------------|
| 025711174                | 0,454   | 150-900           |

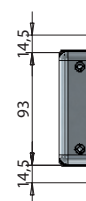
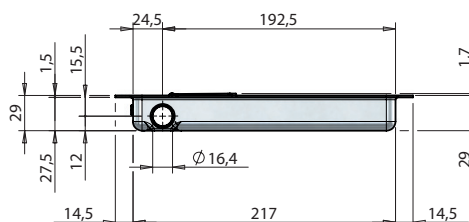
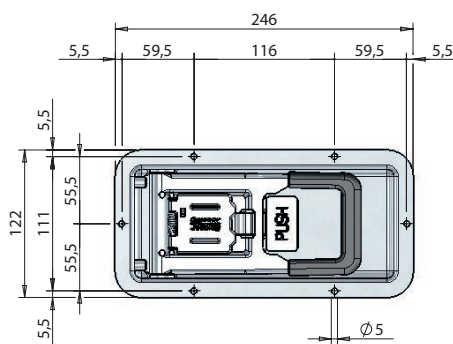
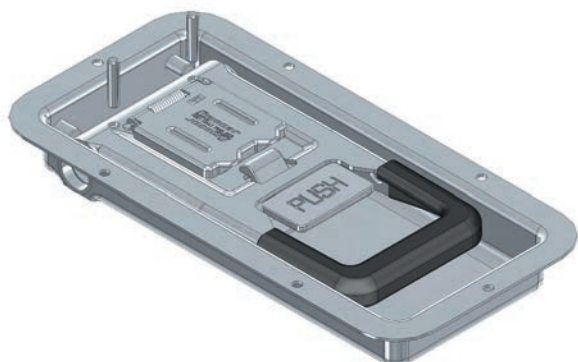


Dzielnik napięcia z 24V do 12V.  
*Inverter from 24V to 12V.*

| Nr katalog.<br>Reference |  | Zakończyć<br>Finish    |
|--------------------------|---|------------------------|
| 025711175                | 0,43  | Aluminium<br>Aluminium |



UCHWYTY DO ZAMKNIĘCIA RYGLOWEGO WPUSZCZANE Ø16 STAL NIERDZEWNA - HANDLES FOR RECESSED LOCKING GEAR Ø16 STAINLESS STEEL

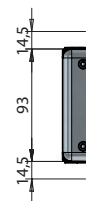
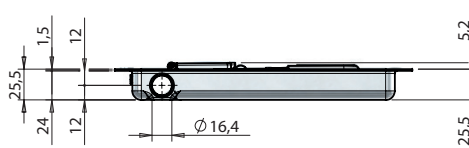
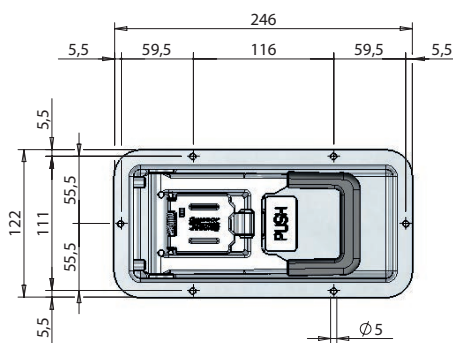


Zamknięcie MINI-PUSH Ø 16 wpuszczane 29 mm.  
Recessed lock Ø 16 MINI-PUSH 29 mm depth.



| Nr katalog.<br>Reference | Kg    | Zakończyć<br>Finish                |
|--------------------------|-------|------------------------------------|
| 020910723                | 1,046 | Stal nierdzewna<br>Stainless steel |

12

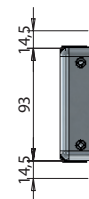
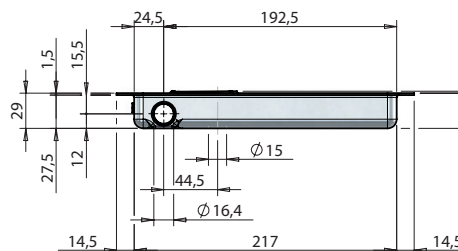
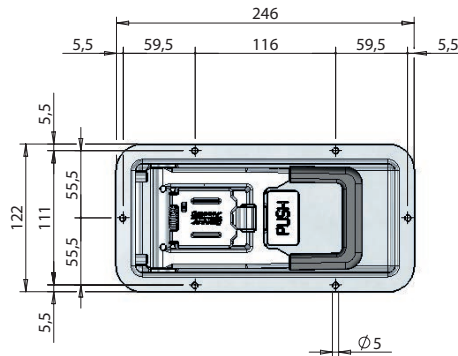
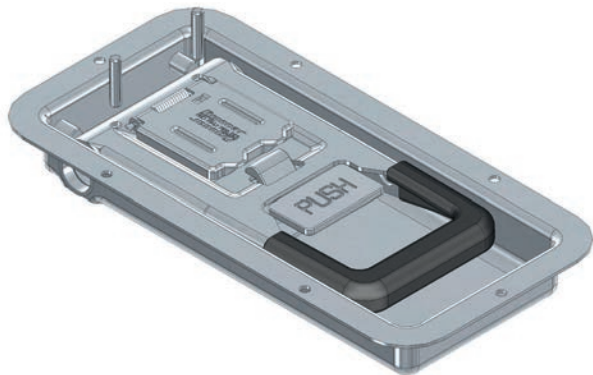


Zamknięcie MINI-PUSH Ø 16 wpuszczane 25,5 mm.  
Recessed lock Ø 16 MINI-PUSH 25,5 mm depth.



| Nr katalog.<br>Reference | Kg    | Zakończyć<br>Finish                |
|--------------------------|-------|------------------------------------|
| 020910724                | 1,055 | Stal nierdzewna<br>Stainless steel |

**UCHWYTY DO ZAMKNIĘCIA RYGLOWEGO WPUSZCZANE Ø16 STAL NIERDZEWNA - HANDLES FOR RECESSED LOCKING GEAR Ø16 STAINLESS STEEL**



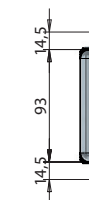
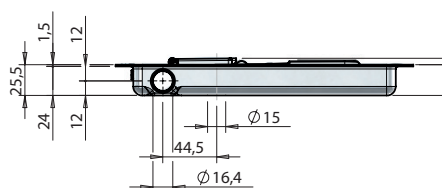
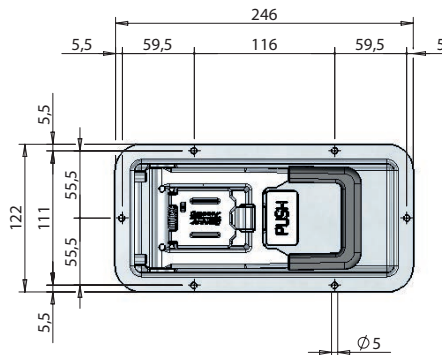
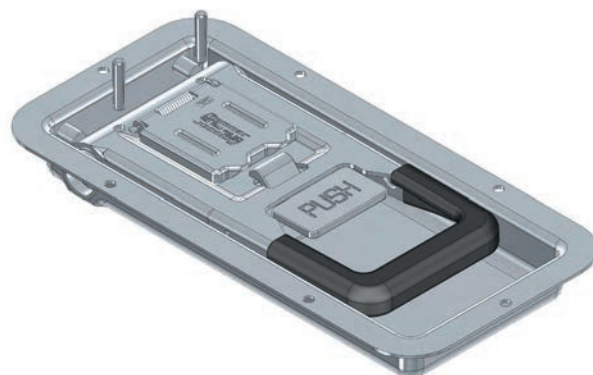
Zamknięcie MINI-PUSH Ø 16 wpuszczane 29 mm z wewnętrznym odblokowaniem. Odblokowanie nawet przy zamknięciu kluczykiem.

*Recessed lock Ø 16 MINI-PUSH 29 mm depth predisposed for internal release.*



| Nr katalog.<br>Reference | Kg    | Zakończyć<br>Finish                |
|--------------------------|-------|------------------------------------|
| 020910824                | 1,045 | Stal nierdzewna<br>Stainless steel |

12



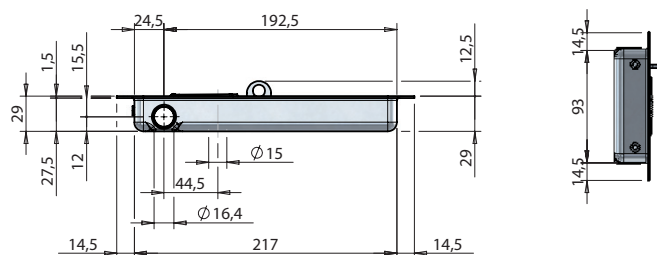
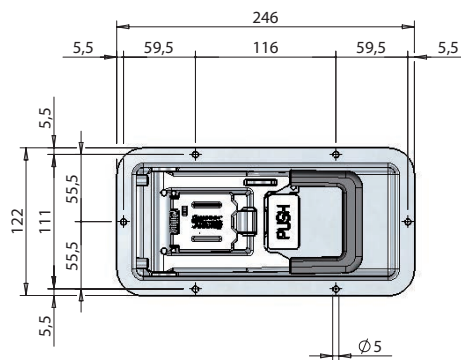
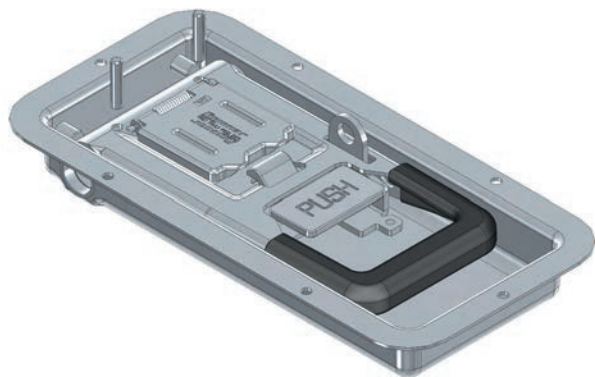
Zamknięcie MINI-PUSH Ø 16 wpuszczane 25,5 mm z wewnętrznym odblokowaniem. Odblokowanie nawet przy zamknięciu kluczykiem.

*Recessed lock Ø 16 MINI-PUSH 25,5 mm depth predisposed for internal release.*



| Nr katalog.<br>Reference | Kg    | Zakończyć<br>Finish                |
|--------------------------|-------|------------------------------------|
| 020910825                | 1,055 | Stal nierdzewna<br>Stainless steel |

UCHWYTY DO ZAMKNIĘCIA RYGLOWEGO WPUSZCZANE Ø16 STAL NIERDZEWNA - HANDLES FOR RECESSED LOCKING GEAR Ø16 STAINLESS STEEL



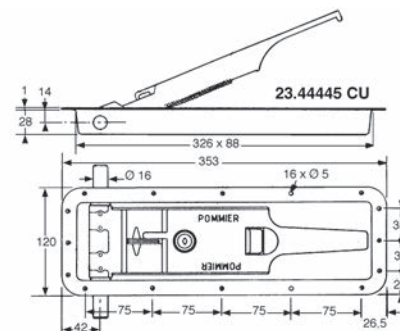
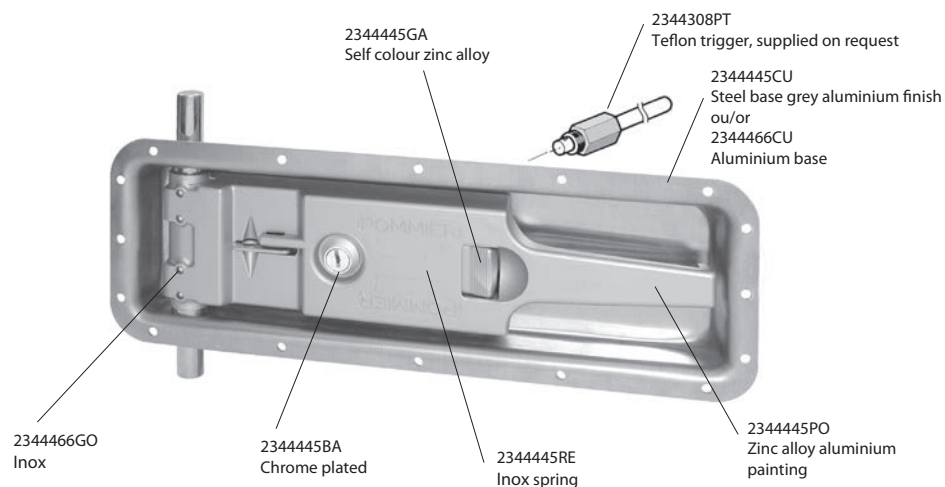
Zamknięcie MINI-PUSH Ø 16 wpuszczane 29 mm z kłódką.  
Recessed lock Ø 16 MINI-PUSH 29 mm depth lockable.



| Nr katalog.<br>Reference | Kg    | Zakończyć<br>Finish                |
|--------------------------|-------|------------------------------------|
| 020910881                | 1,096 | Stal nierdzewna<br>Stainless steel |

12

UCHWYTY DO ZAMKNIĘCIA RYGLOWEGO WPUSZCZANE Ø16 - HANDLES FOR RECESSED LOCKING GEAR Ø16



Klamka ze znanu, pokryta szara farba aluminiowa.  
Zinc alloy handle aluminium painting.

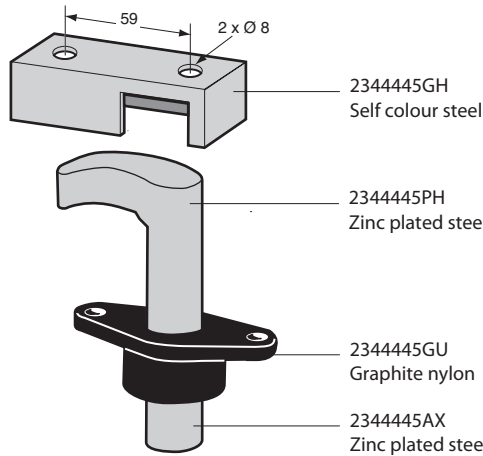
| Nr katalog.<br>Reference | Kg    | Zakończyć<br>Finish |
|--------------------------|-------|---------------------|
| 2344445PO                | 0,930 | Zamak<br>Zamak      |



**ZESTAW ZAMKNIĘCIA RYGLOWEGO WPUSZCZANY Ø16 - RECESSED LOCKING GEAR KIT Ø16**

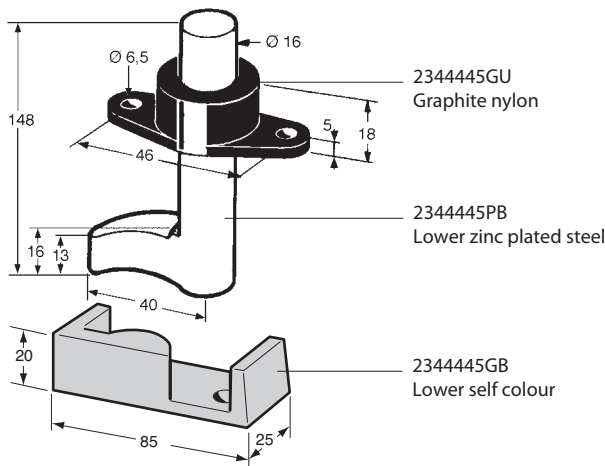
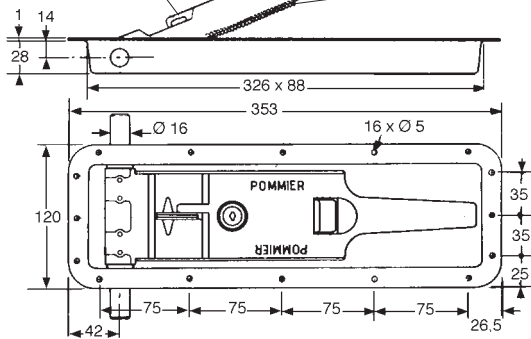
Zestaw zamknięcia wpuszczanego. Wykończenie w szarym aluminium na rurę Ø 16. W składzie 1 górny trzymacz, 1 język trzymacza górny, 1 dolny trzymacz, 1 język trzymacza dolny, 2 nylonowe prowadniki, 2 ośki Ø 16, 1 miska, 1 klamka, 1 sprężyna klamki. Brak możliwości otwierania od wewnątrz.

*Recessed door lock, grey aluminium finish, for tube Ø 16. Fitted with 1 upper keeper, 1 upper cam, 1 lower keeper, 1 lower cam, 2 nylon brackets, 2 axes Ø 16, 4 roll pins, 1 pan, 1 handle, 1 handle spring. Non unlocking from inside.*



Plombage TIR passage 11x3 pour feuillard  
 TIR seal 11x3 thread hole for steel strip

2344445RP  
Handle spring



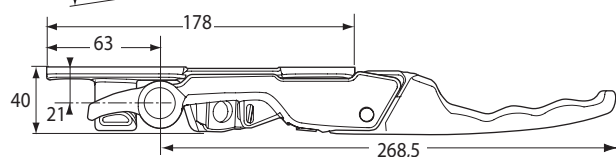
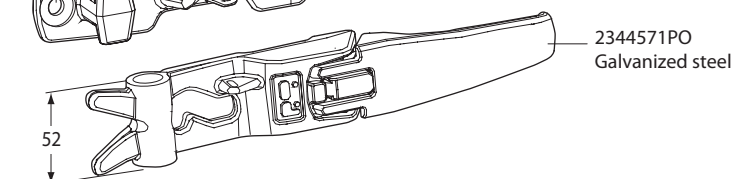
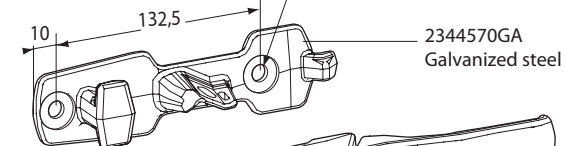
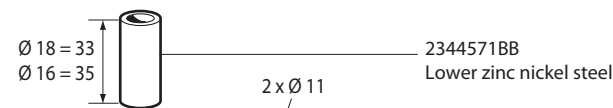
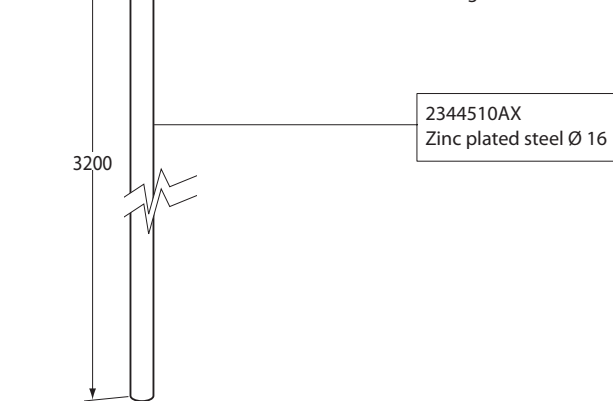
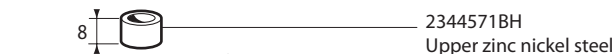
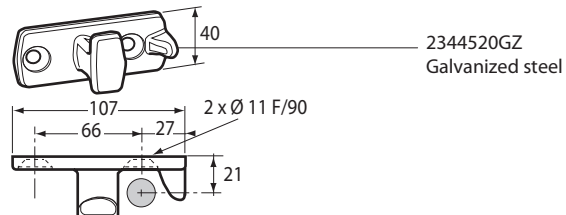
| Nr katalog.<br>Reference | kg    | Zakończyć<br>Finish |
|--------------------------|-------|---------------------|
| 2344445                  | 1,695 | Zamak<br>Zamak      |
| 2344445BO                | 2,300 | Zamak<br>Zamak      |

**ZESTAW ZAMKNIĘCIA RYGLOWEGO DO DRZWI BEZ WYSTĘPU Ø16 - LOCKING GEAR KIT FOR FLUSH DOOR Ø16**

Zestaw 2 galwanizowanych zestawów zamykających dla Ø 16. W zestawie 2 galwanizowane ręczki, 2 górne języki, 2 górne trzymacze, 2 trzymacze do rączek, 2 pierścienie stalowe H 8mm, 2 pierścienie stalowe H 35 mm, 2 podkładki z dacrometu.

*Set of 2 galvanised locks kits for axe Ø 16. Fitted with 2 galvanised handles, 2 upper cams, 2 upper keepers, 2 keepers for handles, 2 steel bushes H 8mm, 2 steel bushes H 35 mm, 4 dacromet plates.*

| Nr katalog.<br>Reference |  Kg | Zakończyć<br>Finish      |
|--------------------------|--|--------------------------|
| 2344571BO                | 2,950  | Ocynkowany<br>Galvanized |

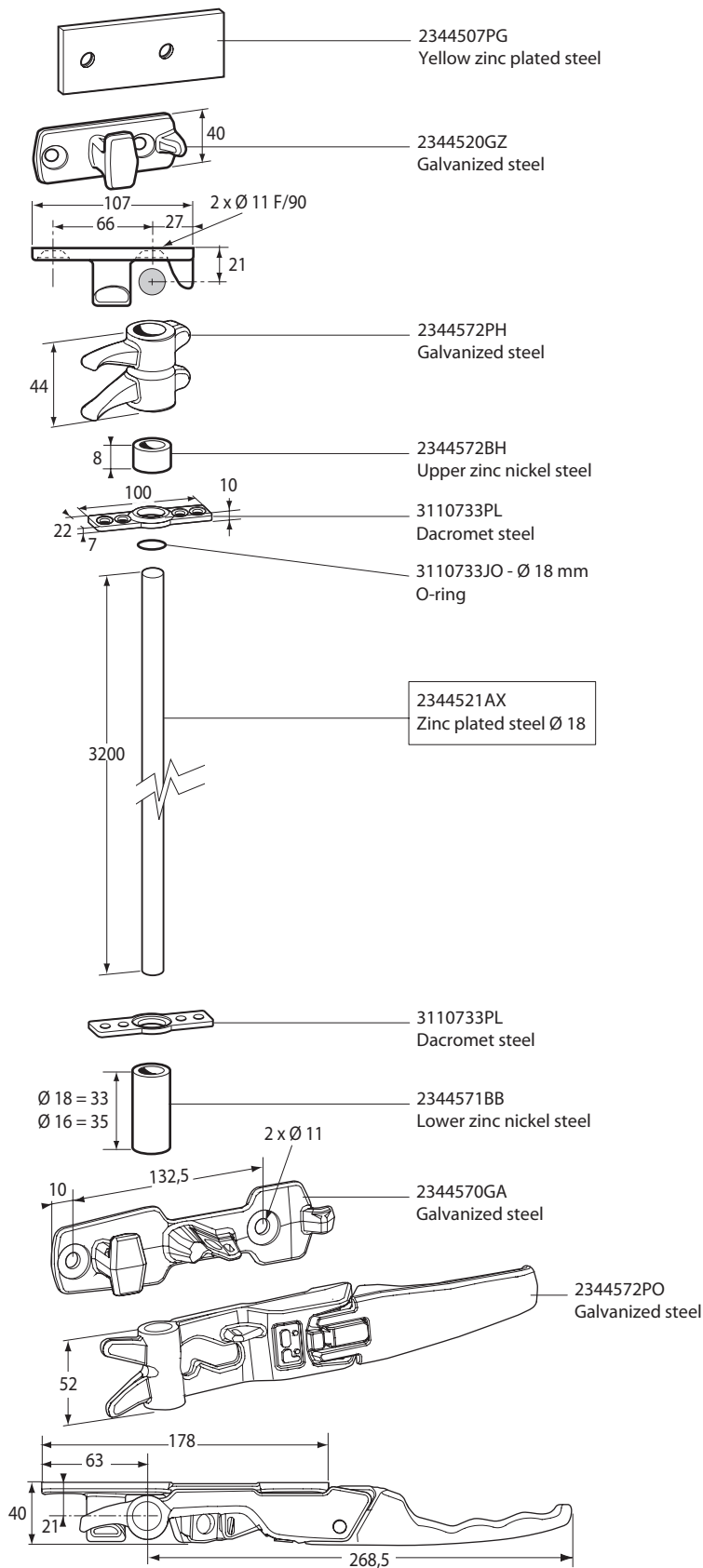


### ZESTAW ZAMKNIĘCIA RYGLOWEGO DO DRZWI BEZ WYSTĘPU Ø18 - LOCKING GEAR KIT FOR FLUSH DOOR Ø18

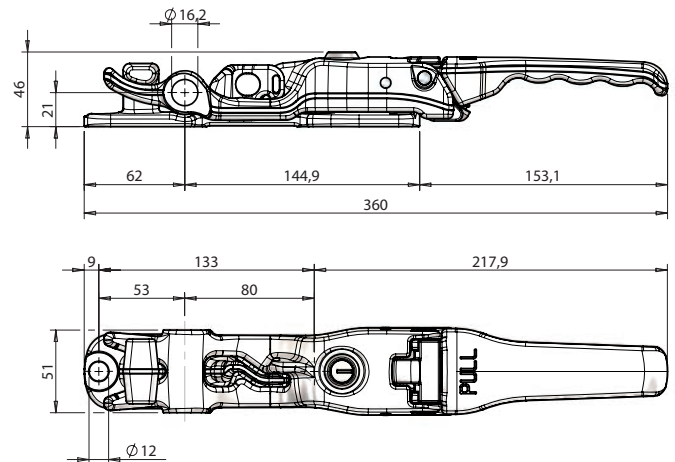
Zestaw 2 galwanizowanych zestawów zamykających dla Ø 18. W zestawie 2 galwanizowane rączki, 2 górne języki, 2 górne trzymacze, 2 trzymacze do rączek, 2 pierścienie stalowe H 8 mm, 2 pierścienie stalowe H 33 mm, 4 podkładki z dacrometu.

*Set of 2 galvanised locks kits for axe Ø 18. Fitted with 2 galvanised handles, 2 upper cams, 2 upper keepers, 2 keepers for handles, 2 steel bushes H 8 mm, 2 steel bushes H 33 mm, 4 dacromet plates.*

| Nr katalog.<br>Reference | kg    | Zakończyć<br>Finish      |
|--------------------------|-------|--------------------------|
| 2344572BO                | 2,950 | Ocynkowany<br>Galvanized |

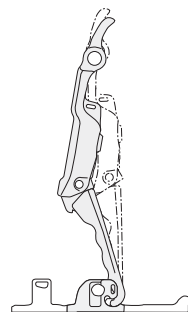


ZESTAW ZAMKNIĘCIA RYGLOWEGO DO DRZWI BEZ WYSTĘPU Ø16, Ø18 STAL NIERDZEWNA - LOCKING GEAR KIT FOR FLUSH DOOR Ø16, Ø18 STAINLESS STEEL



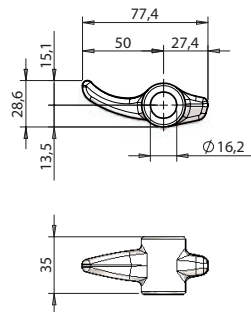
Klamka zamknięcia.  
 Stainless steel door locking handle.

| Nr katalog.<br>Reference | $\frac{\circ}{Kg}$ | Ø  | Zakończyć<br>Finish                |
|--------------------------|--------------------|----|------------------------------------|
| 020911036                | 2,120              | 16 | Stal nierdzewna<br>Stainless steel |
| 020911047                | 2,120              | 18 | Stal nierdzewna<br>Stainless steel |



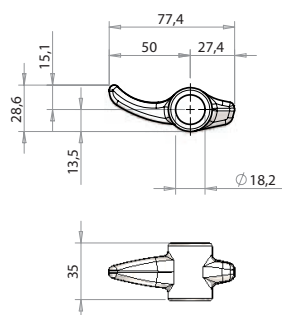
Wspornik w pozycji otwartej.  
 Hook to keep the door open.

12



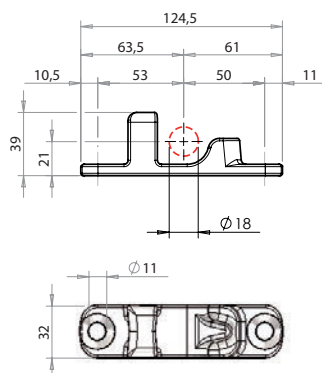
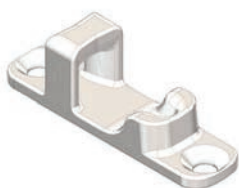
Zaczep rygla górny, stal nierdzewna, Ø 16.  
 Upper stainless steel cam, Ø 16.

| Nr katalog.<br>Reference | $\frac{\circ}{Kg}$ | Zakończyć<br>Finish                |
|--------------------------|--------------------|------------------------------------|
| 021611040                | 0,140              | Stal nierdzewna<br>Stainless steel |



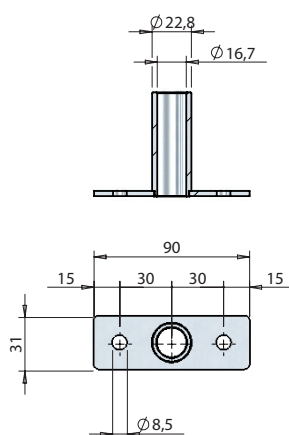
Zaczep rygla górny, stal nierdzewna, Ø 18.  
 Upper stainless steel cam, Ø 18.

| Nr katalog.<br>Reference | $\frac{\circ}{Kg}$ | Zakończyć<br>Finish                |
|--------------------------|--------------------|------------------------------------|
| 021611048                | 0,140              | Stal nierdzewna<br>Stainless steel |



Gniazdo rygla górne ze nierdzewna.  
 Upper stainless steel keeper.

| Nr katalog.<br>Reference | Zakończyć<br>Finish                | Dla<br>For             |
|--------------------------|------------------------------------|------------------------|
| 021611039                | Stal nierdzewna<br>Stainless steel | 021611040<br>021611048 |

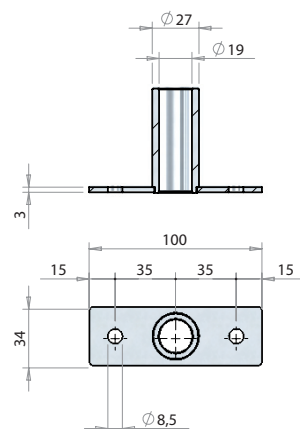
**AKCESORIA DO DRZWI BEZ WYSTĘPU, STAL NIERDZEWNA - ACCESSORIES FOR FLUSH DOOR STAINLESS STEEL**


Prowadnica rury  $\varnothing 16 \times 60$  mm dla zamknięcia ryglowego drzwi bez występu.

*Antirack bush  $\varnothing 16 \times 60$  mm for flush-door lock.*



| Nr katalog.<br>Reference | $\frac{\text{Kg}}{\text{m}}$ | Zakończyć<br>Finish                |
|--------------------------|------------------------------|------------------------------------|
| 021611063                | 0,14                         | Stal nierdzewna<br>Stainless steel |

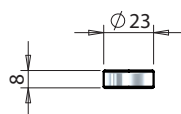


Prowadnica rury  $\varnothing 18 \times 60$  mm dla zamknięcia ryglowego drzwi bez występu.

*Antirack bush  $\varnothing 18 \times 60$  mm for flush-door lock.*



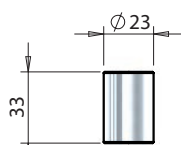
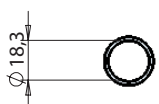
| Nr katalog.<br>Reference | $\frac{\text{Kg}}{\text{m}}$ | Zakończyć<br>Finish                |
|--------------------------|------------------------------|------------------------------------|
| 021611054                | 0,199                        | Stal nierdzewna<br>Stainless steel |



Pierścień górny  $\varnothing 18 \times 8$  mm.

*Upper bush  $\varnothing 18 \times 8$  mm.*

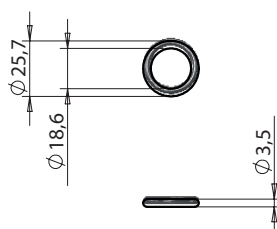
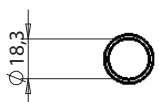
| Nr katalog.<br>Reference | $\frac{\text{Kg}}{\text{m}}$ | Zakończyć<br>Finish                |
|--------------------------|------------------------------|------------------------------------|
| 2344572BH                | 0,01                         | Stal nierdzewna<br>Stainless steel |



Pierścień dolny  $\varnothing 18 \times 33$  mm.

*Lower bush  $\varnothing 18 \times 33$  mm.*

| Nr katalog.<br>Reference | $\frac{\text{Kg}}{\text{m}}$ | Zakończyć<br>Finish                |
|--------------------------|------------------------------|------------------------------------|
| 2344572BB                | 0,04                         | Stal nierdzewna<br>Stainless steel |

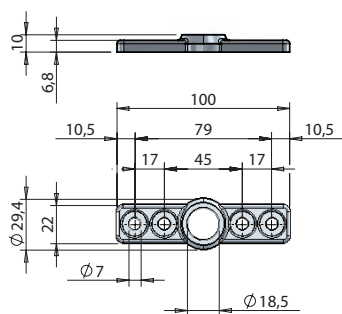


Uszczelka toroidalna  $\varnothing 3,53$ . Nr katalogowy 4075.

*O-ring  $\varnothing 3,53$ . Reference 4075.*

| Nr katalog.<br>Reference | $\frac{\text{Kg}}{\text{m}}$ | Zakończyć<br>Finish   |
|--------------------------|------------------------------|-----------------------|
| 3110733JO                | 0,001                        | Plastikowy<br>Plastic |

AKCESORIA DO DRZWI BEZ WYSTĘPU, STAL NIERDZEWNA - *ACCESSORIES FOR FLUSH DOOR STAINLESS STEEL*



Płytką podporowa rury  $\varnothing 18$ .  
*Guide plate for bush  $\varnothing 18$ .*

| Nr katalog.<br><i>Reference</i> |  | Zakończyć<br><i>Finish</i>            |
|---------------------------------|---|---------------------------------------|
| 3110733PL                       | 0,088   | Stal ocynkowana<br><i>Zinc plated</i> |

ZESTAW ZAMKNIĘCIA RYGLOWEGO ŚCIENNEGO Ø22 STAL NIERDZEWNA - EXTERNAL LOCKING GEAR KIT Ø22 STAINLESS STEEL

Zestaw zamknięcia ryglowego ściennego  
Ø 22 ST4.  
External locking gear Kit Ø 22 ST4.

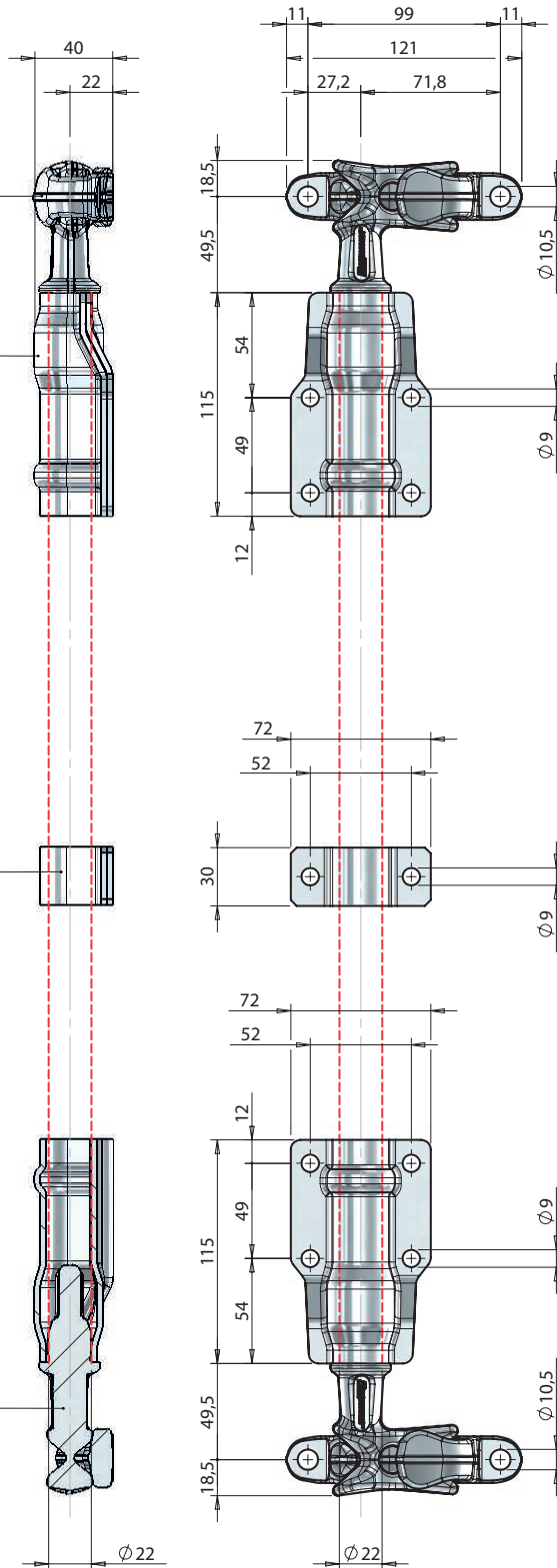


2 pcs.  
Inox 025711229

2 pcs.  
Inox 025704430  
Zinc Plated 026104450

1 pc.  
Inox 025704150  
Zinc Plated 026104153

2 pcs.  
Inox 025711230



| Nr katalog.<br>Reference | kg   | Zakończyć<br>Finish                |
|--------------------------|------|------------------------------------|
| 023111276                | 2,34 | Stal nierdzewna<br>Stainless steel |

ZESTAW ZAMKNIĘCIA RYGLOWEGO ŚCIENNEGO Ø22 STAL NIERDZEWNA - EXTERNAL LOCKING GEAR KIT Ø22 STAINLESS STEEL

Zestaw zamknięcia ryglowego ściennego Ø 22 ST4 z płytką dolną do dużej prowadnicy plastikowej.



External locking gear kit Ø 22 ST4 with plastic back plate for cranked guide.

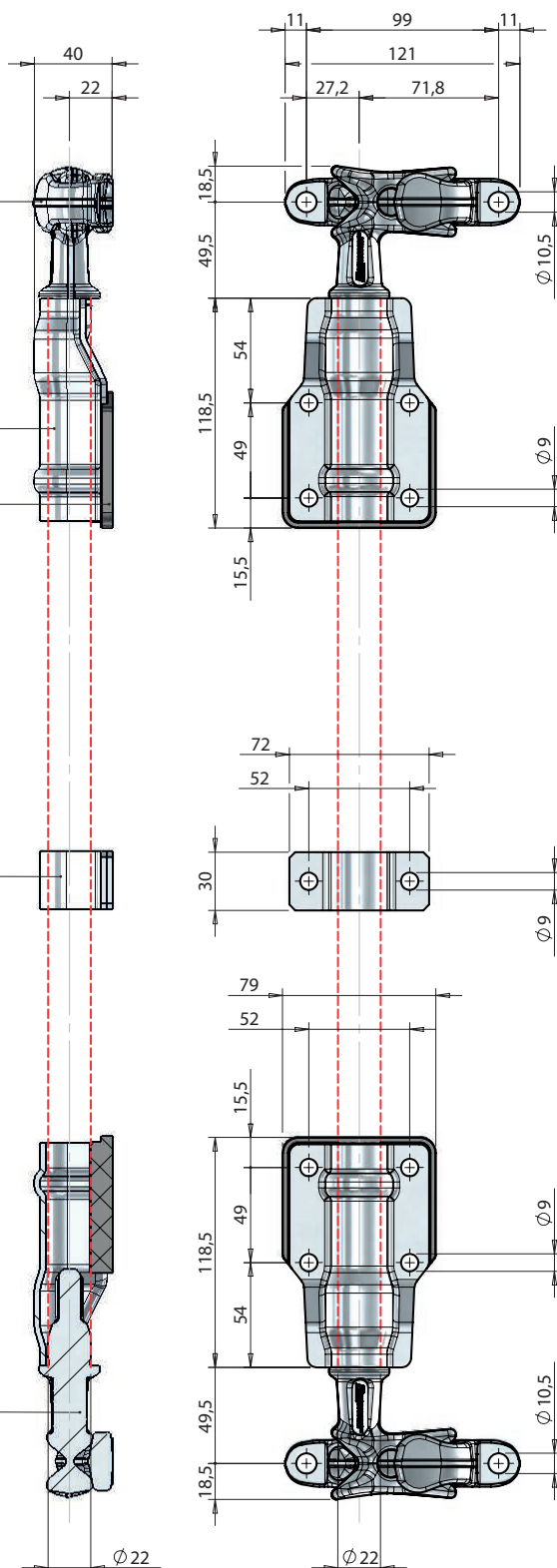
2 pcs.  
Inox 025711229

2 pcs.  
Inox 025704431  
Zinc Plated 026104451

2 pcs.  
Plastic 025704433

1 pc.  
Inox 025704150  
Zinc Plated 026104153

2 pcs.  
Inox 025711230



| Nr katalog.<br>Reference | KG    | Zakończyć<br>Finish                |
|--------------------------|-------|------------------------------------|
| 023111277                | 2,005 | Stal nierdzewna<br>Stainless steel |

12



**ZESTAW ZAMKNIĘCIA RYGLOWEGO ŚCIENNEGO Ø22 - EXTERNAL LOCKING GEAR KIT Ø22**

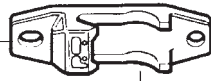
Zestaw ryglowania zewnętrzny dla Ø 15 x 21.

W zestawie 2 ocynkowane języki rygla, 2 galwanizowane trzymacze, 2 prowadniki, 1 cynkowana rączka, 1 ucho do kłódki).

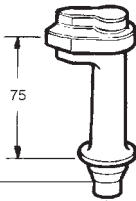
*External zinc plated steel for tube Ø 15 x 21.*

*Fitted with 2 zinc plated cams, 2 galvanised keepers, 2 brackets, 1 zinc plated handle with lever mount, 1 handle catch.*

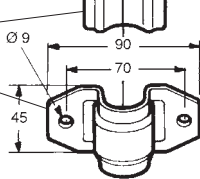
2344454GS  
Zinc plated cast iron



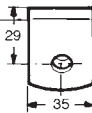
2344454PS  
Zinc plated steel  
2344454PB  
Same, self colour steel



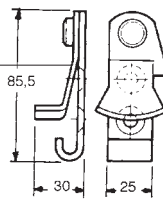
2344454PG  
Zinc plated steel



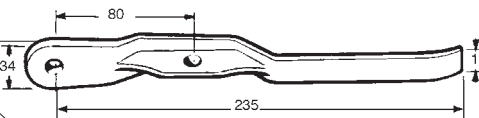
2344454CZ  
Zinc plated steel



2344454VP  
Zinc plated steel



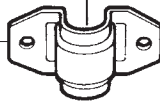
2344454PO  
Zinc plated steel



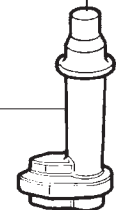
2344454RI  
Zinc plated steel



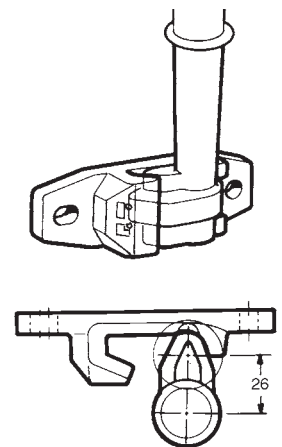
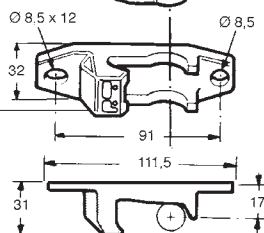
2344454PG  
Zinc plated steel



2344454PS  
Zinc plated steel  
2344454PB  
Same, self colour steel

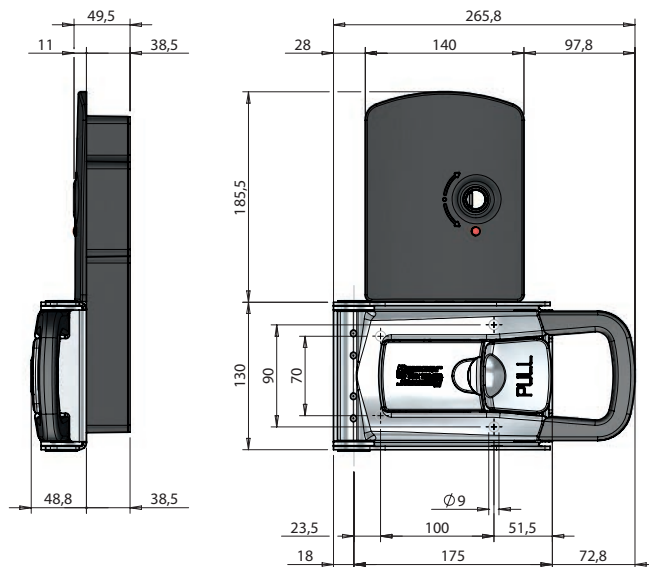
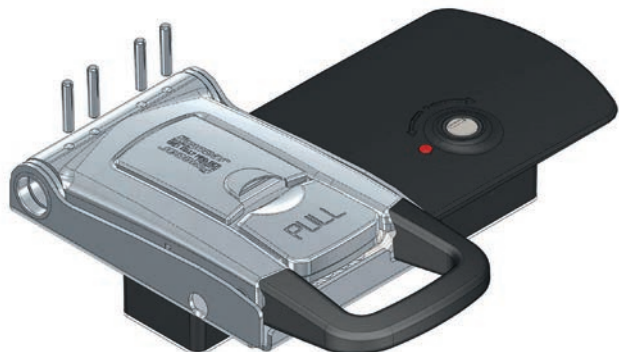


2344454GS  
Zinc plated cast iron



| Nr katalog.<br>Reference | Ø<br>Kg | Zakończyć<br>Finish            |
|--------------------------|---------|--------------------------------|
| 2344454                  | 2,37    | Stal ocynkowana<br>Zinc plated |
| 2344454BO                | 4,74    | Stal ocynkowana<br>Zinc plated |

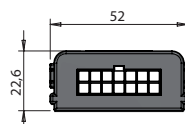
## UCHWYTY BOCZNE DO ZAMKNIĘCIA RYGLOWEGO ŚCIENNEGO Ø22 STAL NIERDZEWNA - HANDLES FOR EXTERNAL LOCKING GEAR Ø22 STAINLESS STEEL



Klamka Ø22 HI-PULL do zamka ryglowego ściennego zdalnie sterowana.  
External lock Ø22 HI-PULL with box for remote control device.



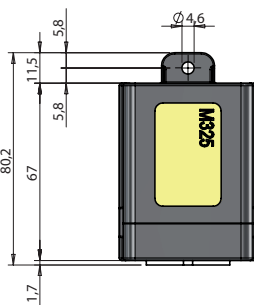
| Nr katalog.<br>Reference | Kg  | Zakończyć<br>Finish                |
|--------------------------|-----|------------------------------------|
| 025711172                | 4,9 | Stal nierdzewna<br>Stainless steel |



Odbiornik + wiązki elektryczną, dostarczane z 2 pilota.  
Receiver with electric beam delivered with 2 remote control.

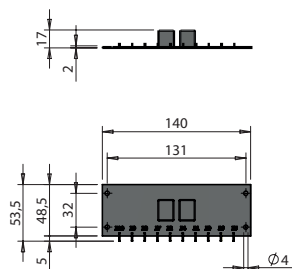
| Nr katalog.<br>Reference | Kg   |
|--------------------------|------|
| 025711173                | 0,40 |

12



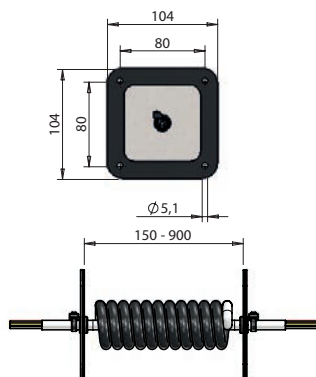
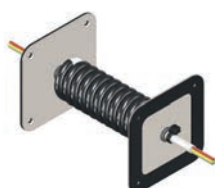
Karta o mocy 12V-30A.  
12V-30A power relay board.

| Nr katalog.<br>Reference | Kg    | Zakończyć<br>Finish   |
|--------------------------|-------|-----------------------|
| 025711188                | 0,106 | Plastikowy<br>Plastic |



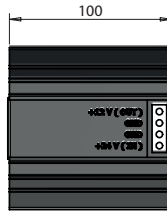
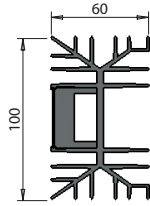
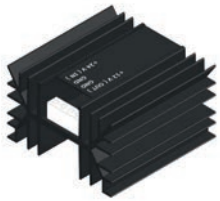
Kabel łączący 5 x 1 mm<sup>2</sup>, wtyczka 6.35 mm. Rozpiętość kabla: 150-900 mm. Płytki inox uszczelniona.  
Junction cable 5 x 1 mm<sup>2</sup>, 6.35 mm connectors. Extendable from 150 to 900 mm. Stainless steel plates with gaskets.

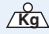
| Nr katalog.<br>Reference | Kg    | Długość<br>Length |
|--------------------------|-------|-------------------|
| 025711174                | 0,454 | 150-900           |

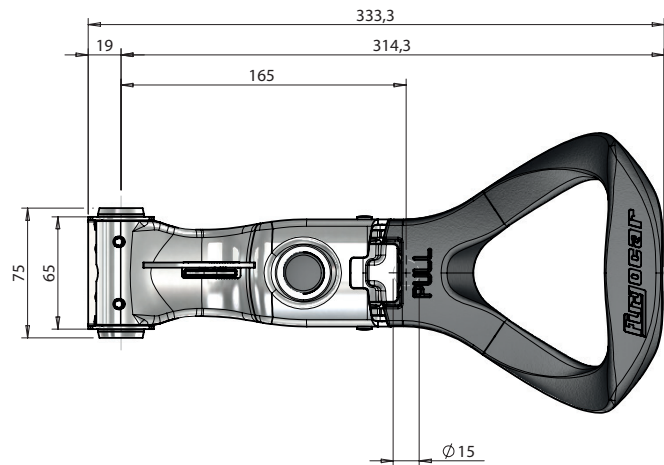
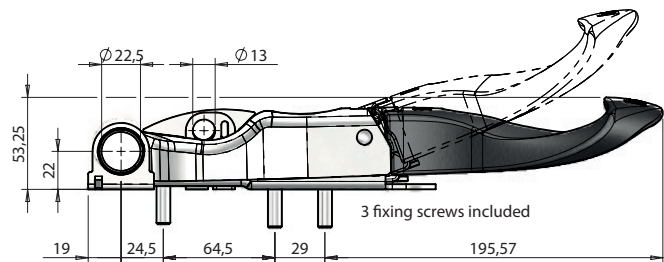


**UCHWYTY BOCZNE DO ZAMKNIĘCIA RYGLOWEGO ŚCIENNEGO Ø22 STAL NIERDZEWNA - HANDLES FOR EXTERNAL LOCKING GEAR Ø22 STAINLESS STEEL**

Dzielnik napięcia z 24V do 12V.  
*Inverter from 24V to 12V.*



| Nr katalog.<br>Reference |  Kg | Zakończyć<br>Finish    |
|--------------------------|--|------------------------|
| 025711175                | 0,43   | Aluminium<br>Aluminium |



**12**

Zamknięcie ścienne Ø 22 TWIM z zaciskiem tablicy TIR, bez bębna zamka.  
*External lock Ø 22 TWIM with TIR and without locking barrel.*



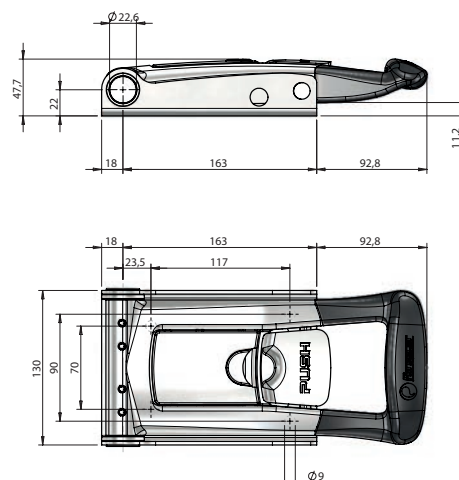
| Nr katalog.<br>Reference |  Kg | Zakończyć<br>Finish                |
|--------------------------|--|------------------------------------|
| 025711661                | 1,402  | Stal nierdzewna<br>Stainless steel |



Bębenek zamka kompletny dla zamknięcia ściennego TWIM.  
*Barrel lock complete with tab for external lock TWIM.*

| Nr katalog.<br>Reference |  Kg | Zakończyć<br>Finish |
|--------------------------|--|---------------------|
| 025711236                | 0,086  | Mosiądz<br>Brass    |

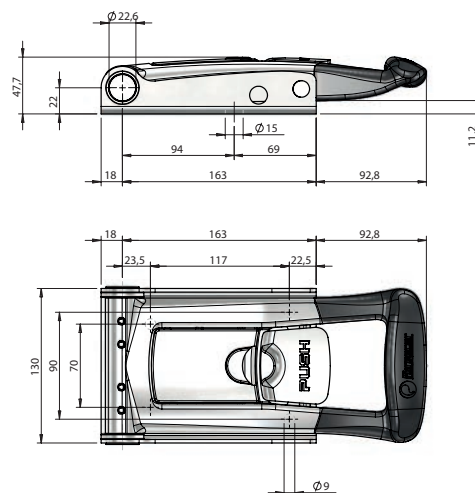
UCHWYTY BOCZNE DO ZAMKNIĘCIA RYGLOWEGO ŚCIENNEGO Ø22 STAL NIERDZEWNA - HANDLES FOR EXTERNAL LOCKING GEAR Ø22 STAINLESS STEEL



TORSEO Ø22 SH-X PUSH klamka zewnętrzna.  
TORSEO Ø22 SH-X PUSH external handle.



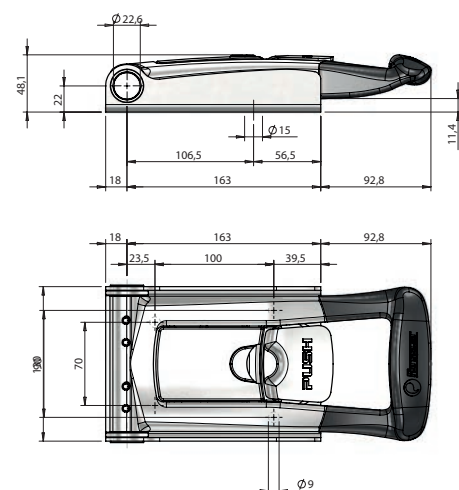
| Nr katalog.<br>Reference | Kg    |
|--------------------------|-------|
| 025711663                | 2,225 |



TORSEO Ø22 SH-X PUSH klamka zewnętrzna odblokowywana od środka.  
TORSEO Ø22 SH-X PUSH external handle.internal release.



| Nr katalog.<br>Reference | Kg   |
|--------------------------|------|
| 025711690                | 2,23 |



TORSEO Ø22 SH-X PUSH klamka zewnętrzna odblokowywana od środka zamykana kluczykiem.  
TORSEO Ø22 SH-X PUSH external handle.internal release (key locked).



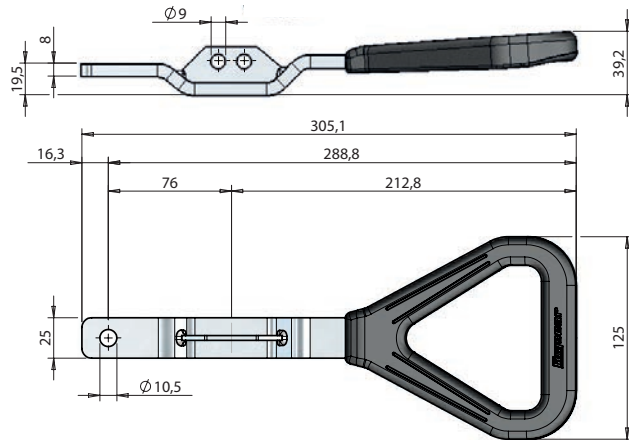
| Nr katalog.<br>Reference | Kg   |
|--------------------------|------|
| 025711672                | 2,30 |

### UCHWYTY BOCZNE DO ZAMKNIĘCIA RYGLOWEGO ŚCIENNEGO Ø22 STAL NIERDZEWNA - HANDLES FOR EXTERNAL LOCKING GEAR Ø22 STAINLESS STEEL



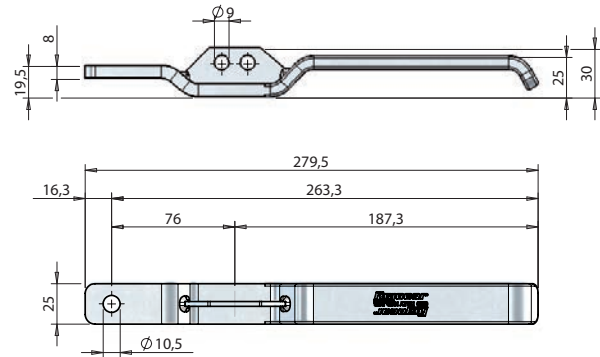
Klamka ERGO P/L 25 x 8 mm, z plastikiem ochronnym.  
RH/LH plastic coated ERGO lever 25 x 8 mm.

| Nr katalog.<br>Reference | Kg   | Zakończyć<br>Finish                |
|--------------------------|------|------------------------------------|
| 025710552                | 0,53 | Stal nierdzewna<br>Stainless steel |

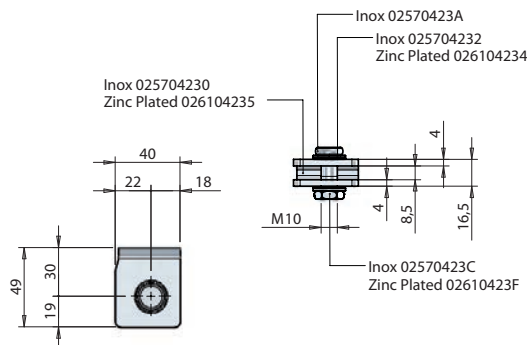


Klamka P/L 25 x 8 mm.  
RH/LH Lever 25 x 8 mm.

| Nr katalog.<br>Reference | Kg   | Zakończyć<br>Finish                |
|--------------------------|------|------------------------------------|
| 025704220                | 0,47 | Stal nierdzewna<br>Stainless steel |

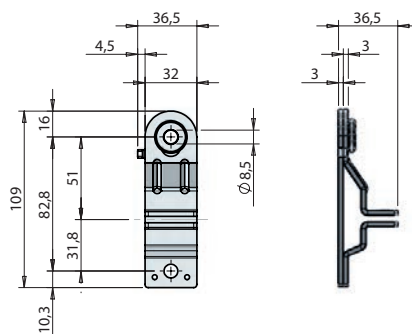
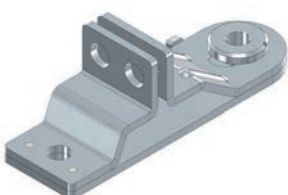


12



Zestaw osłony klamki Ø 22, komplet.  
Lever mount kit Ø 22 complete with fixing pins, bolt, washers & nut.

| Nr katalog.<br>Reference | Kg    | Zakończyć<br>Finish                |
|--------------------------|-------|------------------------------------|
| 025710927                | 0,212 | Stal nierdzewna<br>Stainless steel |



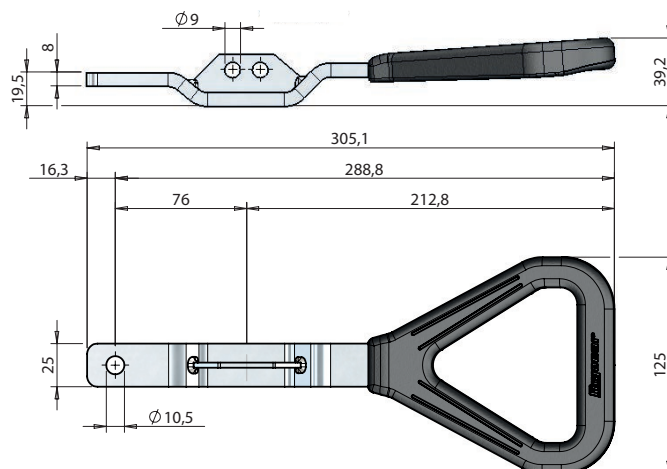
Rygiel klamki 25 x 8 mm.  
Lever retainer 25 x 8 mm.

| Nr katalog.<br>Reference | Kg    | Zakończyć<br>Finish                |
|--------------------------|-------|------------------------------------|
| 025704180                | 0,184 | Stal nierdzewna<br>Stainless steel |





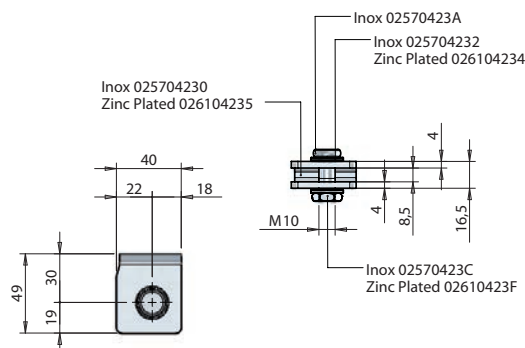
UCHWYTY BOCZNE DO ZAMKNIĘCIA RYGLOWEGO ŚCIENNEGO Ø22 - HANDLES FOR EXTERNAL LOCKING GEAR Ø22



Klamka ERGO P/L 25 x 8 mm, z plastikiem ochronnym.  
RH/LH plastic coated ERGO lever 25 x 8 mm.

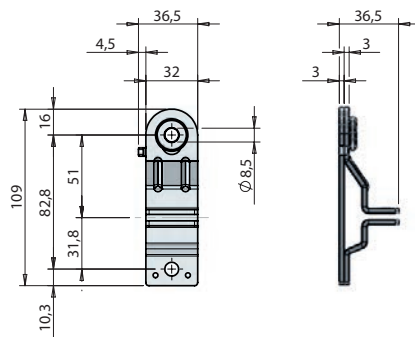
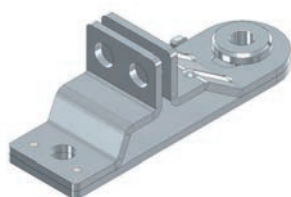
| Nr katalog.<br>Reference | Kg   | Zakończyć<br>Finish            |
|--------------------------|------|--------------------------------|
| 026110553                | 0,52 | Stal ocynkowana<br>Zinc plated |

12



Zestaw osłony klamki Ø 22, komplet.  
Lever mount kit Ø 22 complete with fixing pins, bolt, washers & nut.

| Nr katalog.<br>Reference | Kg   | Zakończyć<br>Finish            |
|--------------------------|------|--------------------------------|
| 026110929                | 0,22 | Stal ocynkowana<br>Zinc plated |



Rygiel klamki 25 x 8 mm.  
Lever retainer 25 x 8 mm.

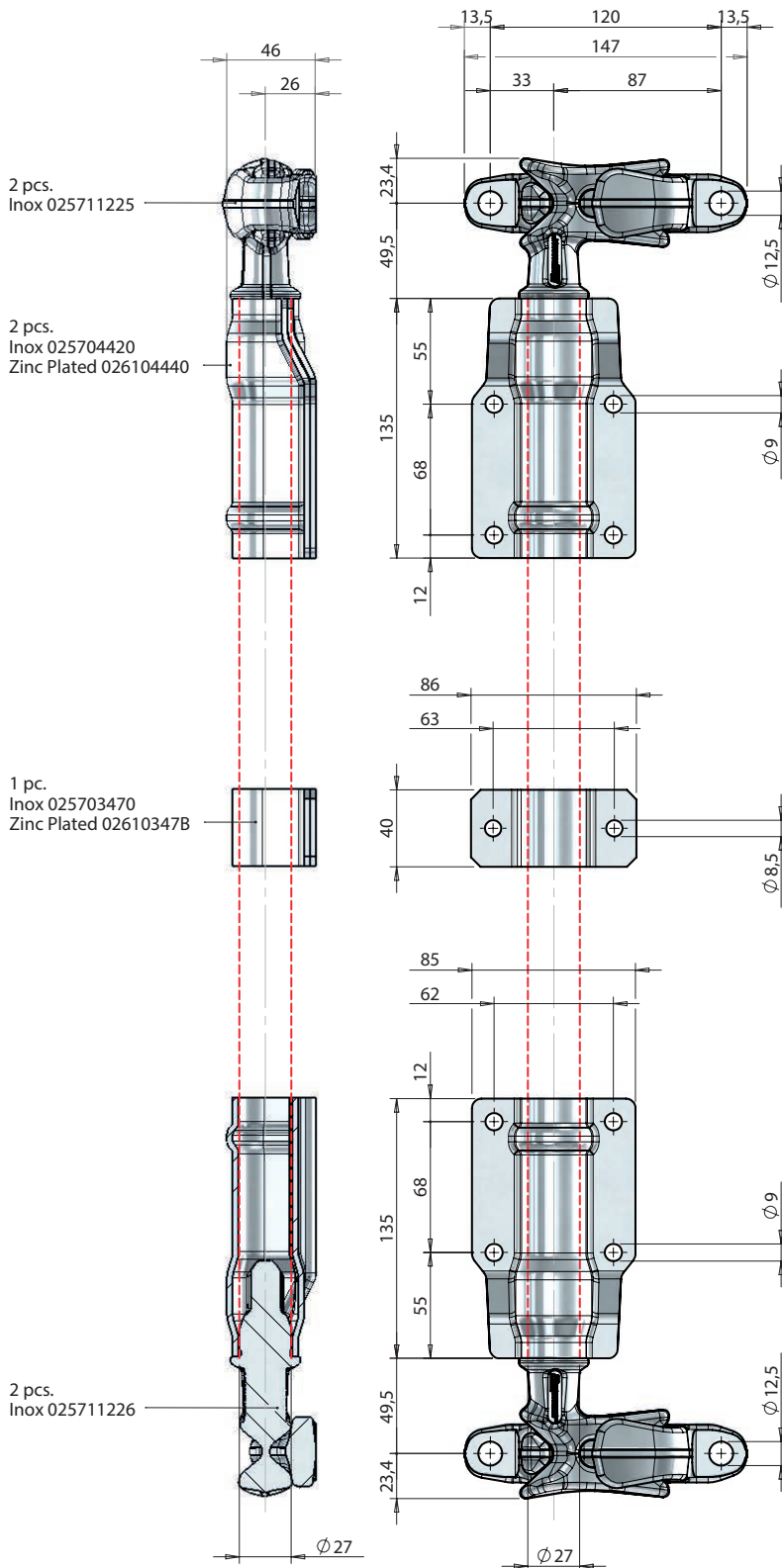
| Nr katalog.<br>Reference | Kg   | Zakończyć<br>Finish            |
|--------------------------|------|--------------------------------|
| 026104184                | 0,19 | Stal ocynkowana<br>Zinc plated |

ZESTAW ZAMKNIĘCIA RYGLOWEGO ŚCIENNEGO Ø27 STAL NIERDZEWNA - EXTERNAL LOCKING GEAR KIT Ø27 STAINLESS STEEL

Zestaw zamknięcia ryglowego ściennego  
Ø 27 PS4.

**Furgocar**  
UNIKO QUALITY

External locking gear Kit Ø 27 PS4.



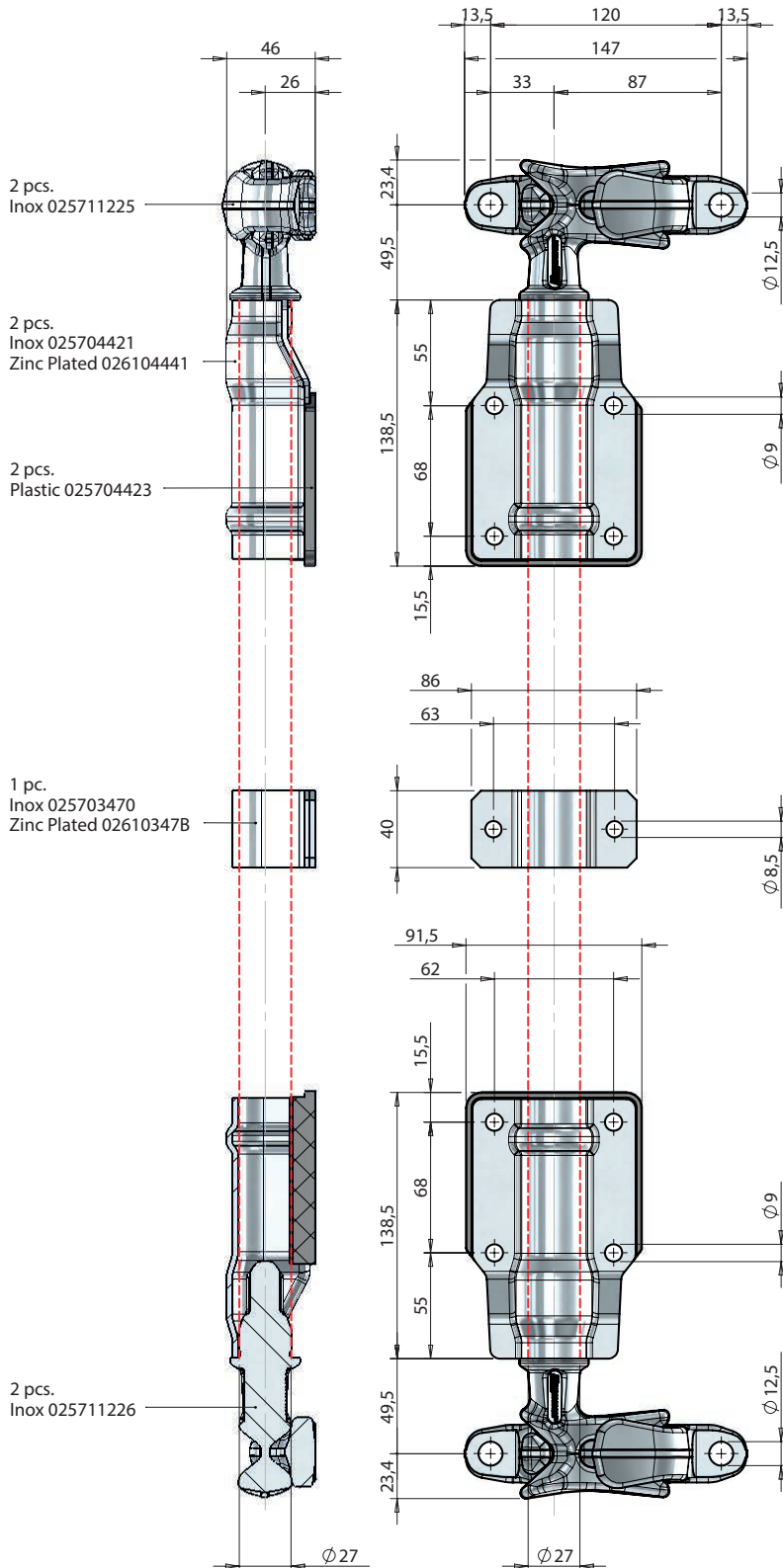
| Nr katalog.<br>Reference | kg  | Zakończyć<br>Finish                |
|--------------------------|-----|------------------------------------|
| 022911273                | 3,7 | Stal nierdzewna<br>Stainless steel |

ZESTAW ZAMKNIĘCIA RYGLOWEGO ŚCIENNEGO Ø27 STAL NIERDZEWNA - EXTERNAL LOCKING GEAR KIT Ø27 STAINLESS STEEL

Zestaw zamknięcia ryglowego ściennego Ø 27 PS4 z płytą dolną do dużej prowadnicy plastikowej.



External locking gear Kit Ø 27 PS4 with plastic back plate for cranked guide.



| Nr katalog.<br>Reference | $\frac{\circ}{Kg}$ | Zakończyć<br>Finish                |
|--------------------------|--------------------|------------------------------------|
| 022111274                | 3,215              | Stal nierdzewna<br>Stainless steel |

12

1 pc.  
Inox 025703470  
Zinc Plated 02610347B

2 pcs.  
Inox 025711226



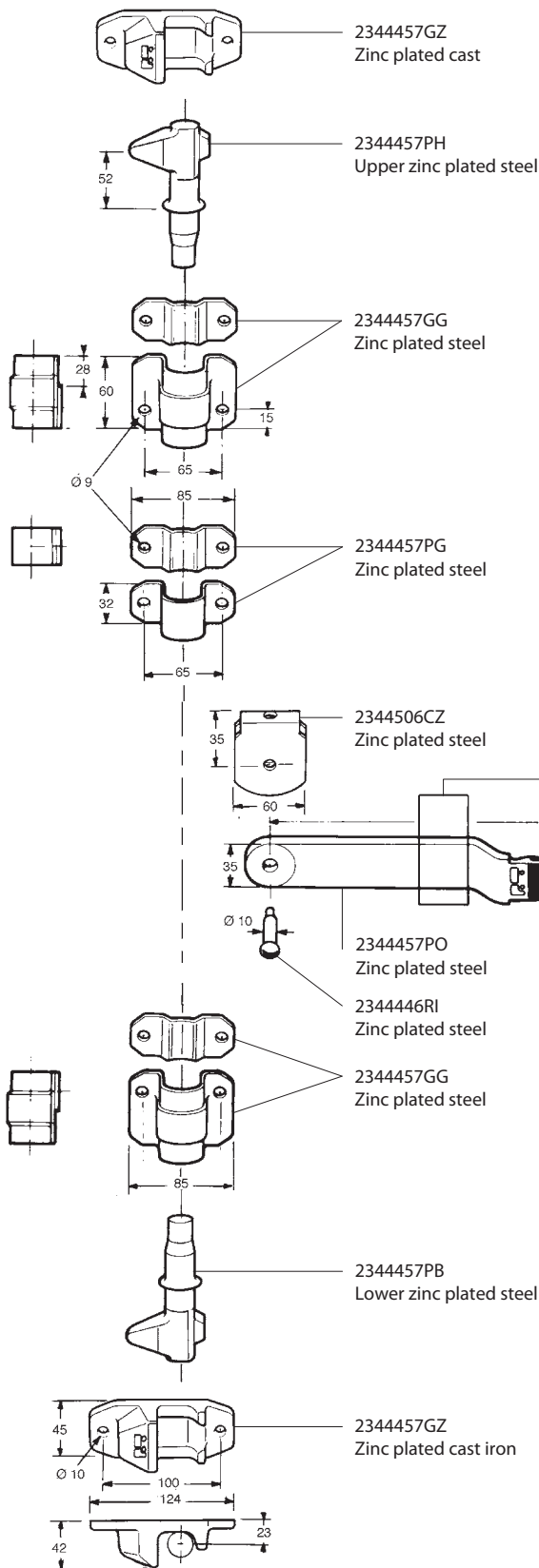
### ZESTAW ZAMKNIĘCIA RYGLOWEGO ŚCIENNEGO Ø27 - EXTERNAL LOCKING GEAR KIT Ø27

Zestaw ryglowania zewnętrzny dla Ø 27.

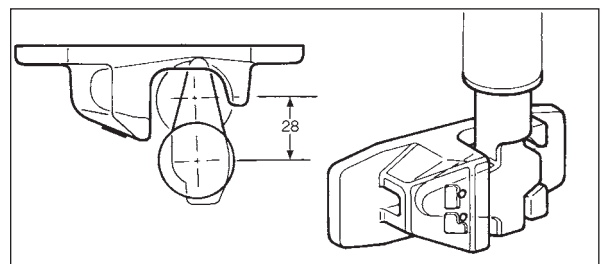
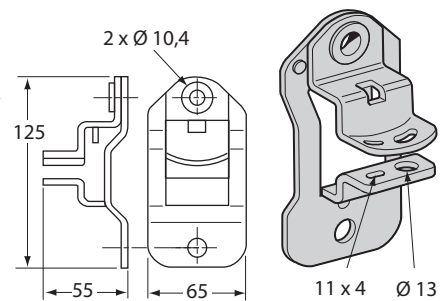
W zestawie 2 ocynkowane języki rygla, 2 galwanizowane trzymacze, 2 duże prowadniki, 1 cynkowana rączka, 1 ucho do kłódki.

*External zinc plated steel kit for tube Ø 27.*

*Fitted with 2 zinc plated cams, 2 zinc plated keepers, 2 large brackets, 2 small brackets, 1 zinc plated handle with lever mount, 1 handle catch.*



| Nr katalog.<br>Reference | kg    | Zakończyć<br>Finish            |
|--------------------------|-------|--------------------------------|
| 2344457                  | 4,426 | Stal ocynkowana<br>Zinc plated |



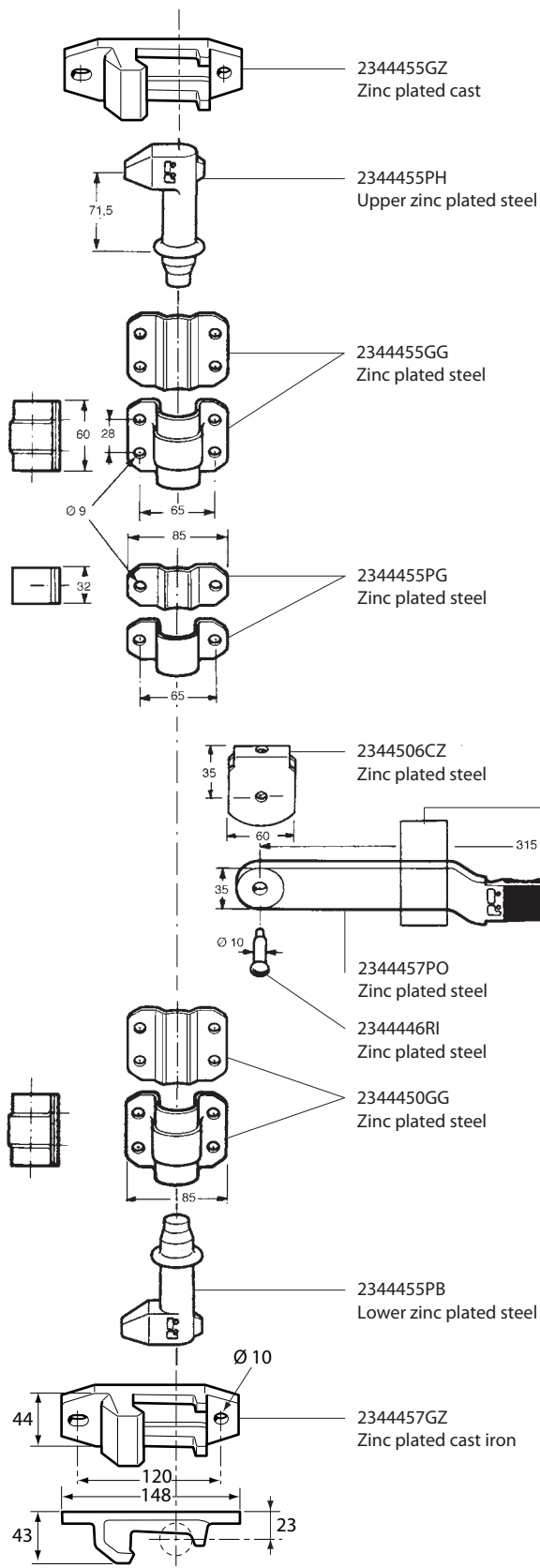
ZESTAW ZAMKNIĘCIA RYGLOWEGO ŚCIENNEGO Ø27 - EXTERNAL LOCKING GEAR KIT Ø27

Zestaw ryglowania zewnętrzny dla Ø 27.

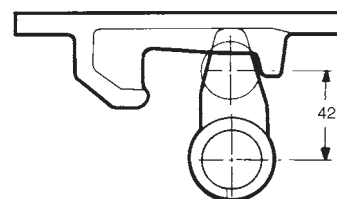
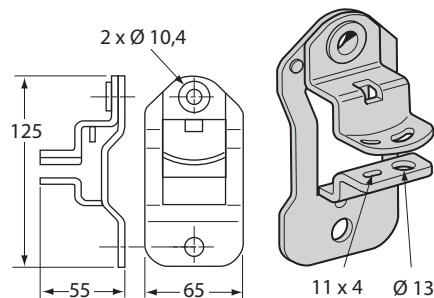
W zestawie 2 ocynkowane języki rygla, 2 galwanizowane trzymacze, 2 duże prowadniki, 2 małe prowadniki, 1 cynkowana rączka, 1 ucho do kłódki.

*External zinc plated steel kit for tube Ø 27.*

*Fitted with 2 zinc plated cams, 2 galvanised keepers, 2 large brackets, 2 small brackets, 1 zinc plated handle with lever mount, 1 handle catch.*



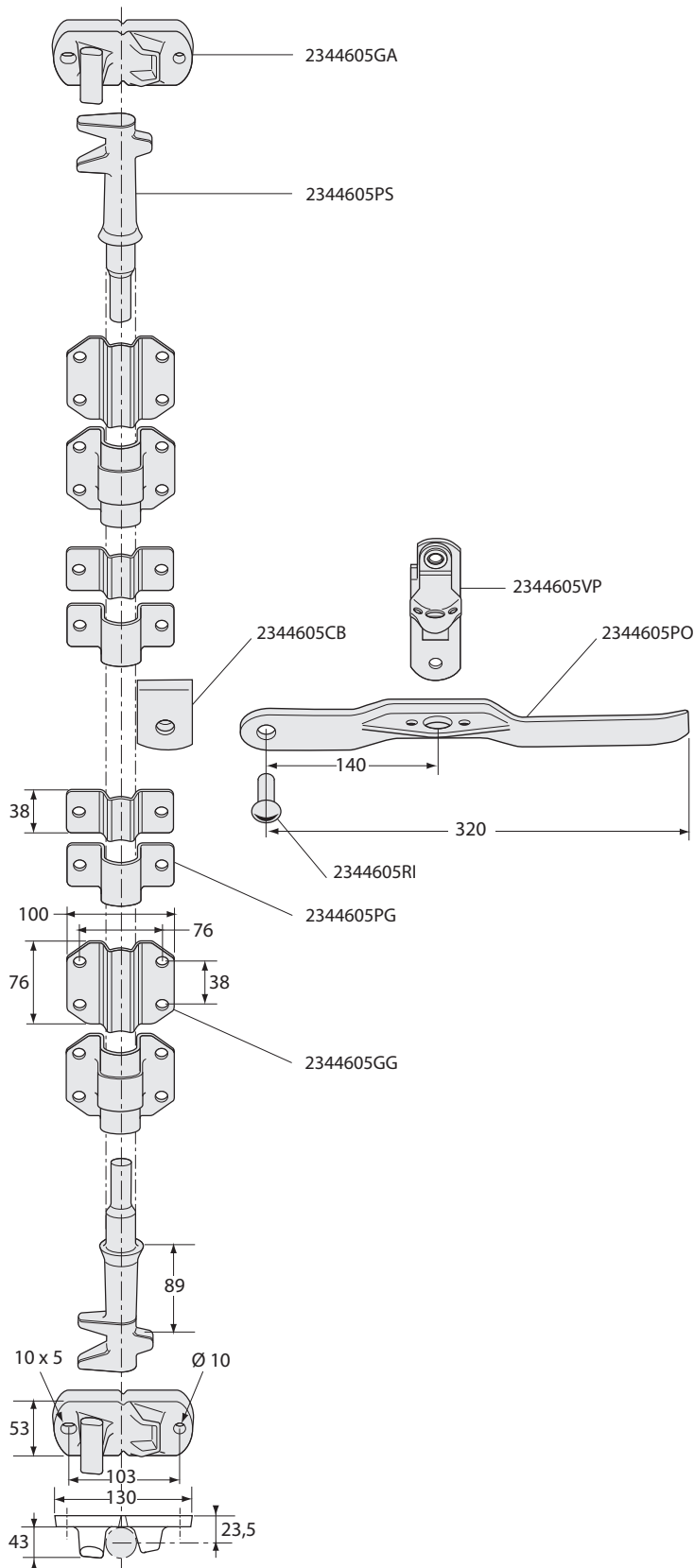
| Nr katalog.<br>Reference | Kg    | Zakończyć<br>Finish            |
|--------------------------|-------|--------------------------------|
| 2344455                  | 5,255 | Stal ocynkowana<br>Zinc plated |
| 2344455BO                | 5,255 | Stal ocynkowana<br>Zinc plated |



**ZESTAW ZAMKNIĘCIA RYGLOWEGO ŚCIENNEGO Ø27 - EXTERNAL LOCKING GEAR KIT Ø27**

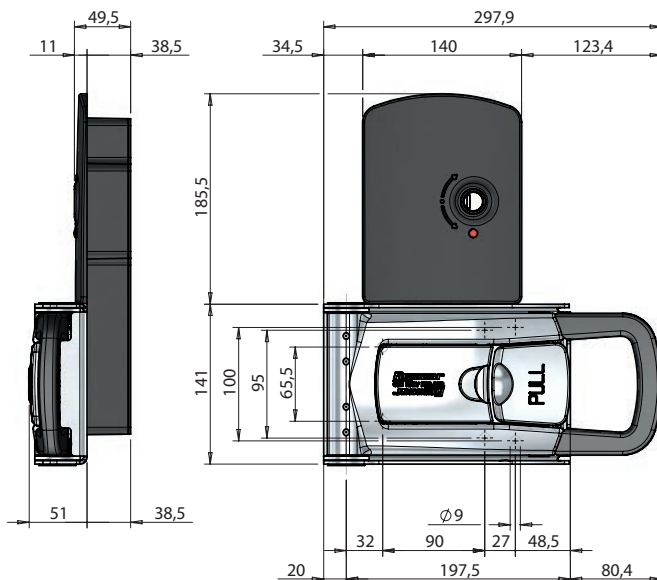
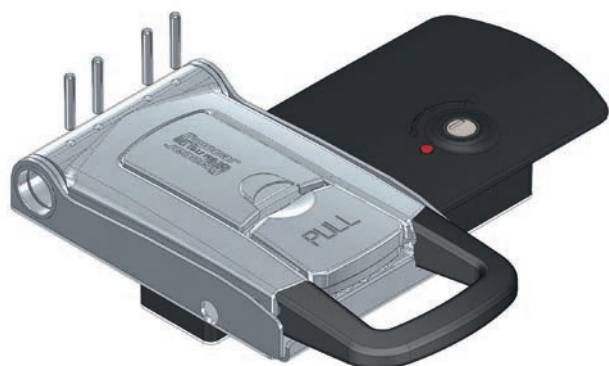
Zestaw ryglowania zewnętrzny dla Ø 20 x 27. W zestawie 2 ocynkowane języki rygla, 2 galwanizowane trzymacze, 2 duże prowadniki, 1 cynkowana rączka.

*Zinc plated steel lock kit for tube 20 x 27. Fitted with 2 keepers, 2 cams, 2 large brackets, 2 small brackets, 1 handle with lever mount.*



| Nr katalog.<br>Reference |  Kg | Zakończyć<br>Finish            |
|--------------------------|--|--------------------------------|
| <b>2344600</b>           | 6,00   | Stal ocynkowana<br>Zinc plated |

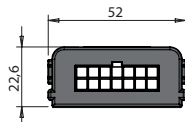
## UCHWYTY BOCZNE DO ZAMKNIĘCIA RYGLOWEGO ŚCIENNEGO Ø27 STAL NIERDZEWNA - HANDLES FOR EXTERNAL LOCKING GEAR Ø27 STAINLESS STEEL



Kłamka Ø27 HI-PULL do zamka ryglowego ściennego zdalnie sterowana.  
*External lock Ø27 HI-PULL with box for remote control device.*

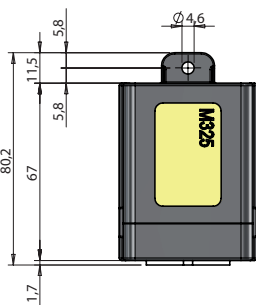
Furgocar  
INNOVATION

| Nr katalog.<br>Reference | Kg   | Zakończyć<br>Finish                |
|--------------------------|------|------------------------------------|
| 025711171                | 5,45 | Stal nierdzewna<br>Stainless steel |

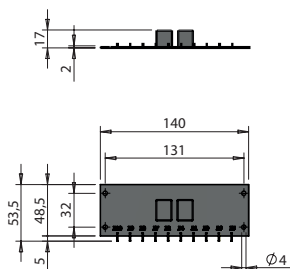
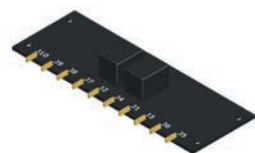


Odbiornik + wiązki elektryczną, dostarczane z 2 pilota.  
*Receiver with electric beam delivered with 2 remote control.*

12

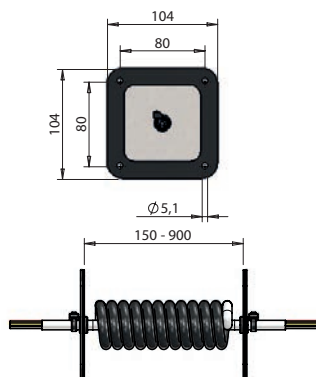
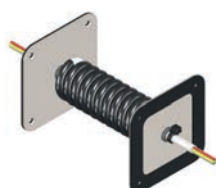


| Nr katalog.<br>Reference | Kg   |
|--------------------------|------|
| 025711173                | 0,40 |



Karta o mocy 12V-30A.  
*12V-30A power relay board.*

| Nr katalog.<br>Reference | Kg    | Zakończyć<br>Finish   |
|--------------------------|-------|-----------------------|
| 025711188                | 0,106 | Plastikowy<br>Plastic |

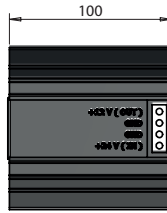
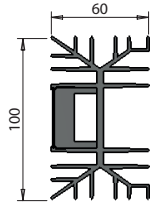
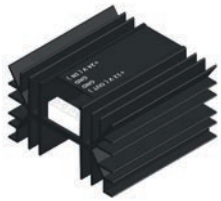


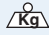
Kabel łączący 5 x 1 mm<sup>2</sup>, wtyczka 6.35 mm. Rozpiętość kabla: 150-900 mm. Płytką inox uszczelniona.  
*Junction cable 5 x 1 mm<sup>2</sup>, 6.35 mm connectors. Extendable from 150 to 900 mm. Stainless steel plates with gaskets.*

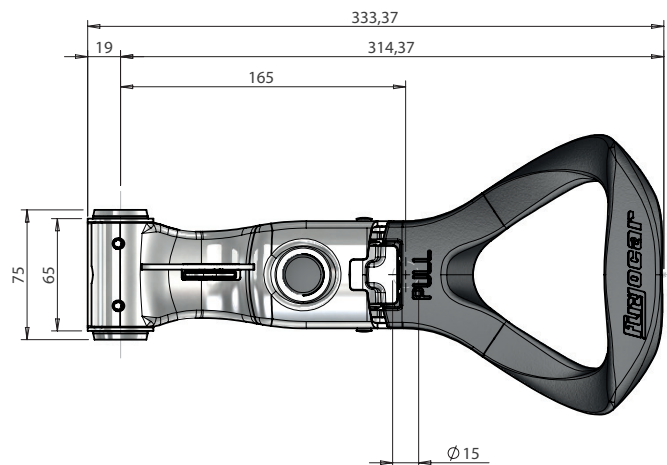
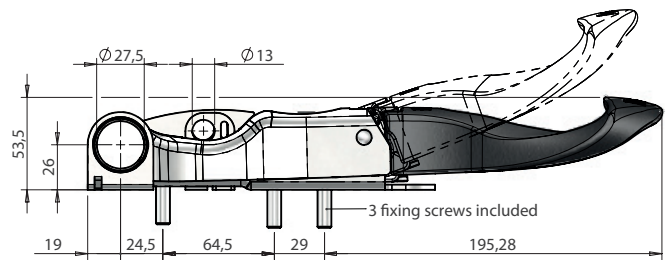
| Nr katalog.<br>Reference | Kg    | Długość<br>Length |
|--------------------------|-------|-------------------|
| 025711174                | 0,454 | 150-900           |

**UCHWYTY BOCZNE DO ZAMKNIĘCIA RYGLOWEGO ŚCIENNEGO Ø27 STAL NIERDZEWNA - HANDLES FOR EXTERNAL LOCKING GEAR Ø27 STAINLESS STEEL**

Dzielnik napięcia z 24V do 12V.  
*Inverter from 24V to 12V.*



| Nr katalog.<br>Reference |  Kg | Zakończyć<br>Finish    |
|--------------------------|--|------------------------|
| 025711175                | 0,43   | Aluminium<br>Aluminium |



**12**

Zamknięcie ścienne Ø 27 TWIM z zaciskiem tablicy TIR, bez bębna zamka.  
*External lock Ø 27 TWIM with TIR and without locking barrel.*



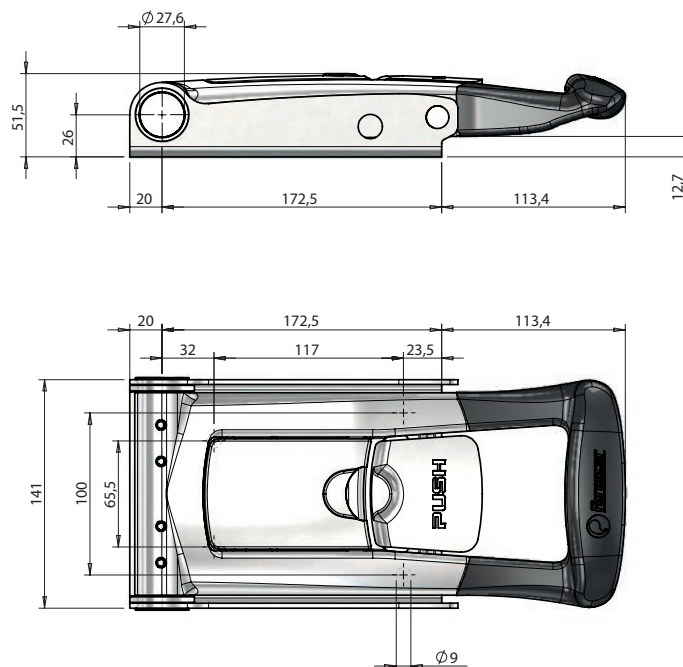
| Nr katalog.<br>Reference |  Kg | Zakończyć<br>Finish                |
|--------------------------|--|------------------------------------|
| 025711660                | 1,440  | Stal nierdzewna<br>Stainless steel |



Bębenek zamka kompletny dla zamknięcia ściennego TWIM.  
*Barrel lock complete with tab for external lock TWIM.*

| Nr katalog.<br>Reference |  Kg | Zakończyć<br>Finish |
|--------------------------|--|---------------------|
| 025711236                | 0,086  | Mosiądz<br>Brass    |

UCHWYTY BOCZNE DO ZAMKNIĘCIA RYGLOWEGO ŚCIENNEGO Ø27 STAL NIERDZEWNA - HANDLES FOR EXTERNAL LOCKING GEAR Ø27 STAINLESS STEEL

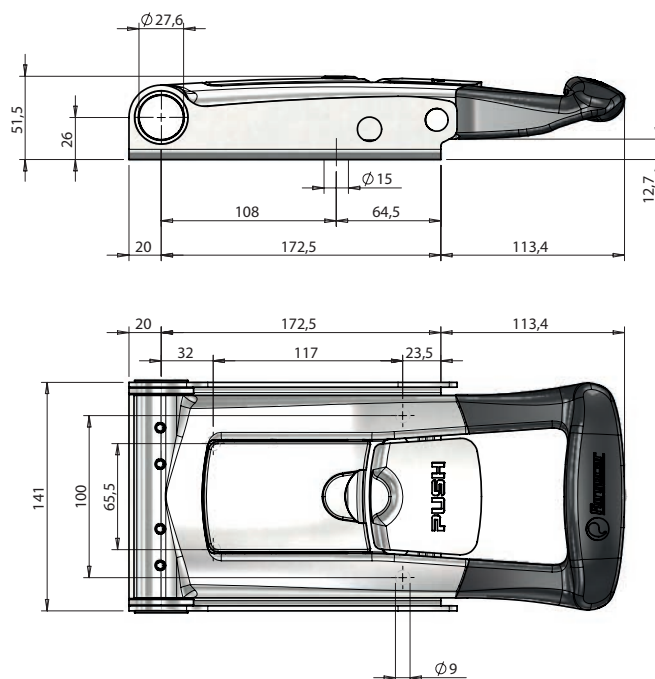


TORSEO Ø27 SH-X PUSH klamka zewnętrzna.  
TORSEO Ø27 SH-X PUSH external handle.



| Nr katalog.<br>Reference | Kg    |
|--------------------------|-------|
| 025711664                | 2,665 |

12

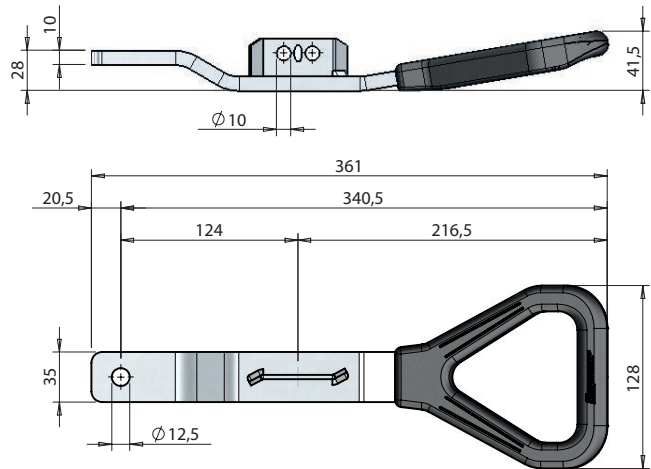


TORSEO Ø27 SH-X PUSH klamka zewnętrzna odblokowywana od środka.  
TORSEO Ø27 SH-X PUSH external handle. Internal release.



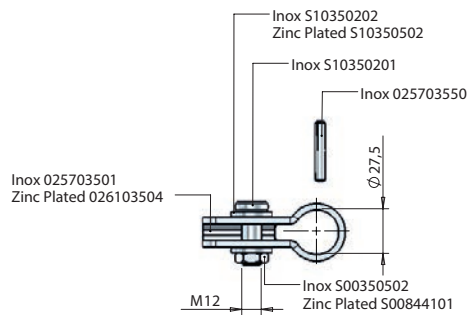
| Nr katalog.<br>Reference | Kg    |
|--------------------------|-------|
| 025711691                | 2,665 |

### UCHWYTY BOCZNE DO ZAMKNIĘCIA RYGLOWEGO ŚCIENNEGO Ø27 - HANDLES FOR EXTERNAL LOCKING GEAR Ø27



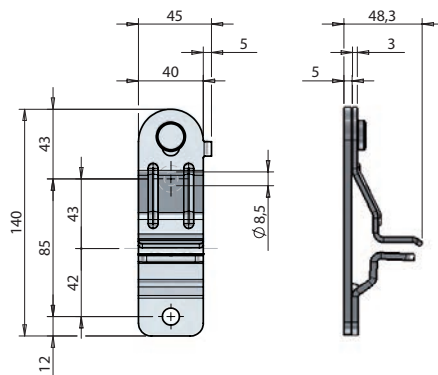
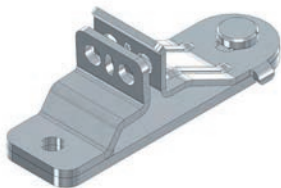
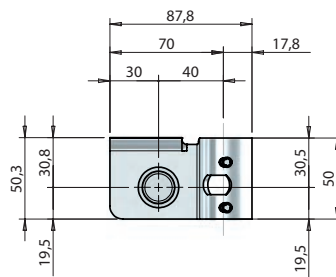
Klamka ERGO P/L z plastikiem ochronnym 35 x 10 mm, dla zamka standardowego.  
*RH/LH plastic coated lever ERGO 35 x 10 mm, for standard retainer.*

| Nr katalog.<br>Reference | Kg  | Zakończyć<br>Finish            |
|--------------------------|-----|--------------------------------|
| 026110537                | 0,9 | Stal ocynkowana<br>Zinc plated |



Zestaw osłony klamki Ø 27, komplet.  
*Lever mount kit Ø 27 complete with fixing pins, bolt, washers & nut.*

| Nr katalog.<br>Reference | Kg    | Zakończyć<br>Finish            |
|--------------------------|-------|--------------------------------|
| 026110949                | 0,346 | Stal ocynkowana<br>Zinc plated |

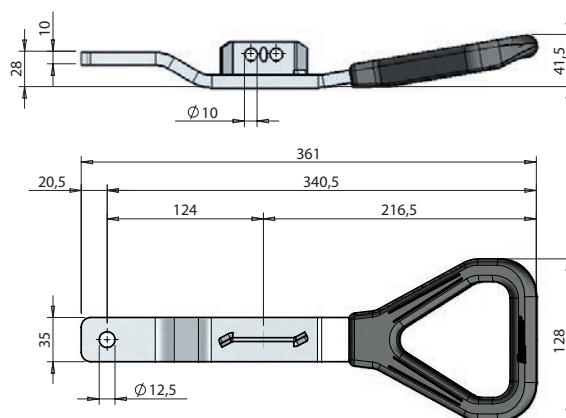


Zamek klamki 35 x 10 mm standardowy.  
*Lever retainer for standard lever 35 x 10 mm.*

| Nr katalog.<br>Reference | Kg   | Zakończyć<br>Finish            |
|--------------------------|------|--------------------------------|
| 026103541                | 0,38 | Stal ocynkowana<br>Zinc plated |



### UCHWYTY BOCZNE DO ZAMKNIĘCIA RYGLOWEGO ŚCIENNEGO Ø27 STAL NIERDZEWNA - HANDLES FOR EXTERNAL LOCKING GEAR Ø27 STAINLESS STEEL

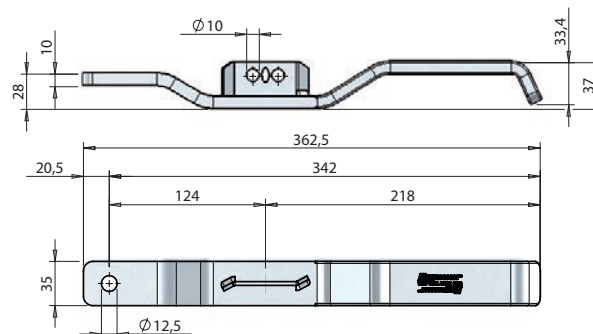
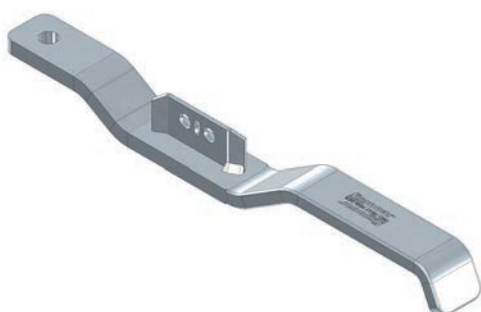


Klamka ERGO P/L, z plastikiem ochronnym 35 x 10 mm, dla zamka standardowego.

*RH/LH plastic coated lever ERGO 35 x 10 mm, for standard retainer.*

| Nr katalog.<br>Reference | Kg   | Zakończyć<br>Finish                |
|--------------------------|------|------------------------------------|
| 025710534                | 0,93 | Stal nierdzewna<br>Stainless steel |

Furgocar  
ENXK QUALITY



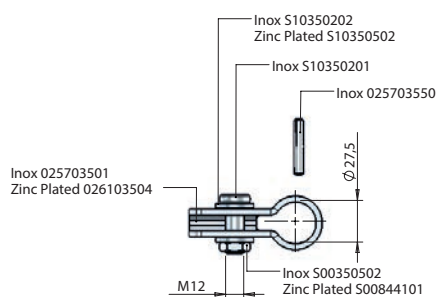
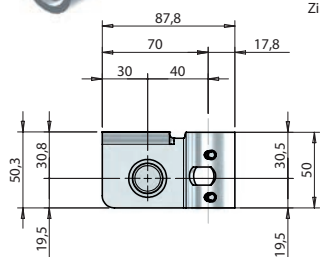
Klamka P/L 35 x 10 mm, dla zamka standardowego.

*RH/LH lever 35 x 10 mm for standard retainer.*

| Nr katalog.<br>Reference | Kg   | Zakończyć<br>Finish                |
|--------------------------|------|------------------------------------|
| 025703503                | 1,08 | Stal nierdzewna<br>Stainless steel |

Furgocar  
ENXK QUALITY

12

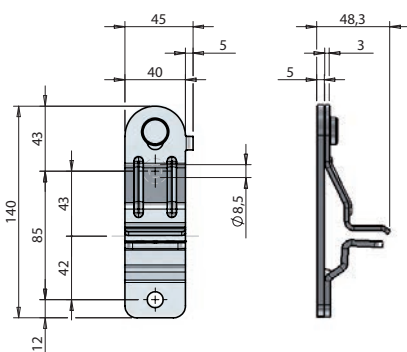
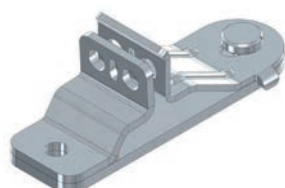


Zestaw osłony klamki Ø 27, komplet.

*Lever mount kit Ø 27 complete with fixing pins, bolt, washers & nut.*

| Nr katalog.<br>Reference | Kg    | Zakończyć<br>Finish                |
|--------------------------|-------|------------------------------------|
| 025710947                | 0,362 | Stal nierdzewna<br>Stainless steel |

Furgocar  
ENXK QUALITY



Zamek klamki 35 x 10 mm standardowy.

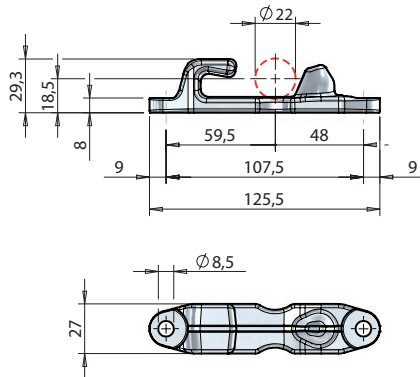
*Lever retainer for standard lever 35 x 10 mm.*

| Nr katalog.<br>Reference | Kg   | Zakończyć<br>Finish                |
|--------------------------|------|------------------------------------|
| 025703540                | 0,38 | Stal nierdzewna<br>Stainless steel |

Furgocar  
ENXK QUALITY



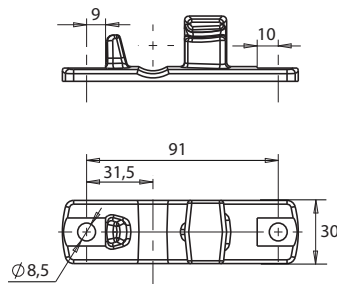
## Gniazdo rygla ściennego Ø16 - KEEPER FOR EXTERNAL LOCKING GEAR Ø16



Gniazdo rygla P/L ST1 Ø 16.  
RH/LH keeper Ø 16 ST1.

| Nr katalog.<br>Reference | $\frac{\text{Kg}}{\text{m}}$ | Zakończyć<br>Finish            |
|--------------------------|------------------------------|--------------------------------|
| 026104352                | 0,26                         | Stal ocynkowana<br>Zinc plated |

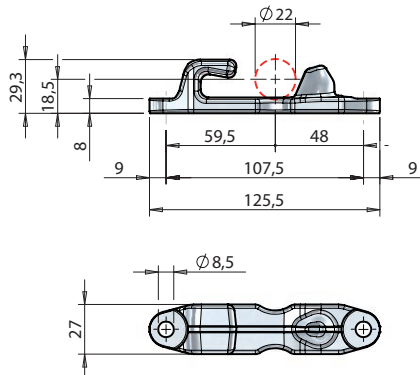
## Gniazdo rygla ściennego Ø16 stal nierdzewna - KEEPER FOR EXTERNAL LOCKING GEAR Ø16 STAINLESS STEEL



Gniazdo stal nierdzewna Ø 16.  
Stainless steel keeper Ø 16.

| Nr katalog.<br>Reference | $\frac{\text{Kg}}{\text{m}}$ | Zakończyć<br>Finish                |
|--------------------------|------------------------------|------------------------------------|
| 2344530GA                | 0,220                        | Stal nierdzewna<br>Stainless steel |

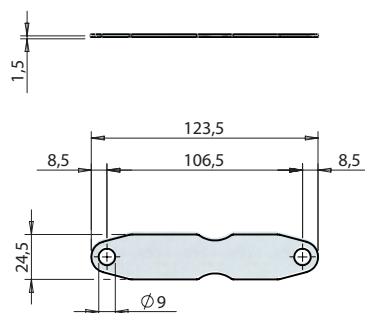
Furgocar  
EMERX QUALITY



Gniazdo rygla P/L ST1 Ø 16.  
RH/LH keeper Ø 16 ST1.

| Nr katalog.<br>Reference | $\frac{\text{Kg}}{\text{m}}$ | Zakończyć<br>Finish                |
|--------------------------|------------------------------|------------------------------------|
| 025704342                | 0,26                         | Stal nierdzewna<br>Stainless steel |

Furgocar  
EMERX QUALITY

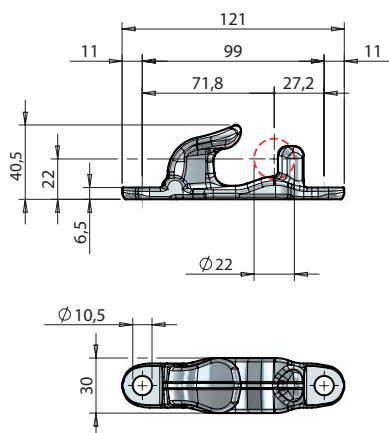
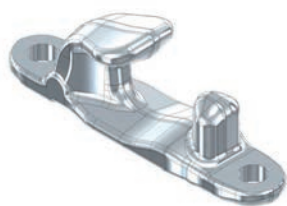


Podkładka dla gniazda rygla ST1 Ø 16.  
Spacer for keeper Ø 16 ST1.

| Nr katalog.<br>Reference | $\frac{\text{Kg}}{\text{m}}$ | Zakończyć<br>Finish                |
|--------------------------|------------------------------|------------------------------------|
| 025704343                | 0,03                         | Stal nierdzewna<br>Stainless steel |

Furgocar  
EMERX QUALITY

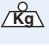
**GNIAZDO RYGLA ŚCIENNEGO Ø22 STAL NIERDZEWNA - CAM FOR EXTERNAL LOCKING GEAR Ø22 STAINLESS STEEL**



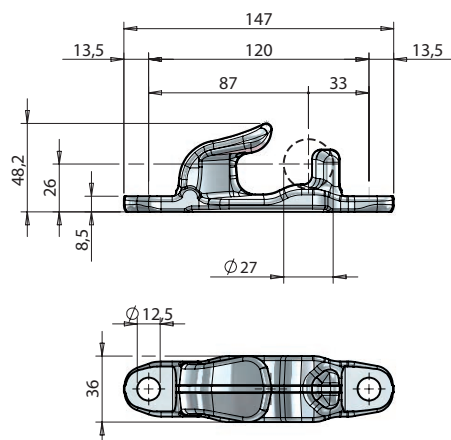
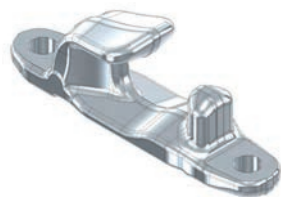
Gniazdo rygla P/L dla zamknięcia ryglowego Ø 22 ST4.

RH/LH keeper Ø 22 ST4.



| Nr katalog.<br>Reference |  Kg | Zakończyć<br>Finish                |
|--------------------------|--|------------------------------------|
| 025711229                | 0,312  | Stal nierdzewna<br>Stainless steel |

**GNIAZDO RYGLA ŚCIENNEGO Ø27 STAL NIERDZEWNA - KEEPER FOR EXTERNAL LOCKING GEAR Ø27 STAINLESS STEEL**



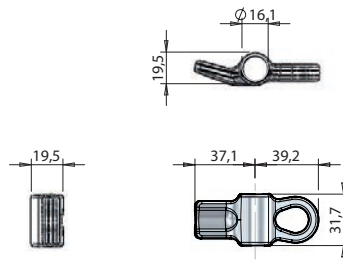
Gniazdo rygla P/L dla zamknięcia ryglowego PS4 Ø 27.

RH/LH keepers Ø 27 PS4.



| Nr katalog.<br>Reference |  Kg | Zakończyć<br>Finish                |
|--------------------------|---|------------------------------------|
| 025711225                | 0,542   | Stal nierdzewna<br>Stainless steel |

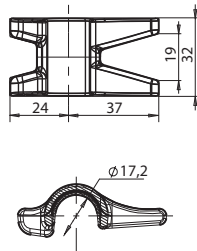
## ZACZEP DO ZAMKNIĘCIA RYGLOWEGO ŚCIENNEGO Ø16 - CAM FOR EXTERNAL LOCKING GEAR Ø16



Zaczep P/L ST1 Ø 16.  
RH/LH cam Ø 16 ST1.

| Nr katalog.<br>Reference | $\frac{\text{Kg}}{\text{kg}}$ | Zakończyć<br>Finish            |
|--------------------------|-------------------------------|--------------------------------|
| 026104351                | 0,11                          | Stal ocynkowana<br>Zinc plated |

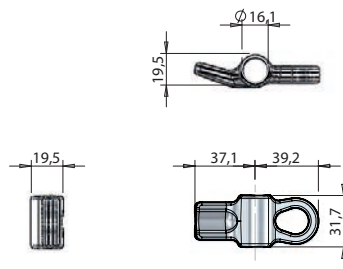
## ZACZEP DO ZAMKNIĘCIA RYGLOWEGO ŚCIENNEGO Ø16 STAL NIERDZEWNA - CAM FOR EXTERNAL LOCKING GEAR Ø16 STAINLESS STEEL



Zaczep stal nierdzewna Ø 16.  
Stainless steel cam Ø 16.



| Nr katalog.<br>Reference | $\frac{\text{Kg}}{\text{kg}}$ | Zakończyć<br>Finish                |
|--------------------------|-------------------------------|------------------------------------|
| 2344533PI                | 0,095                         | Stal nierdzewna<br>Stainless steel |

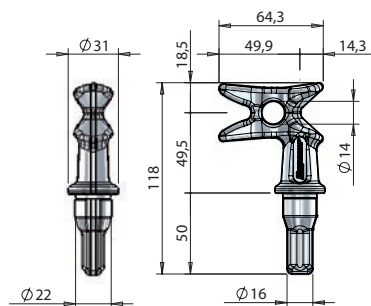


Zaczep P/L ST1 Ø 16.  
RH/LH cam Ø 16 ST1.



| Nr katalog.<br>Reference | $\frac{\text{Kg}}{\text{kg}}$ | Zakończyć<br>Finish                |
|--------------------------|-------------------------------|------------------------------------|
| 025704341                | 0,11                          | Stal nierdzewna<br>Stainless steel |

## ZACZEP DO ZAMKNIĘCIA RYGLOWEGO ŚCIENNEGO Ø22 STAL NIERDZEWNA - CAM FOR EXTERNAL LOCKING GEAR Ø22 STAINLESS STEEL

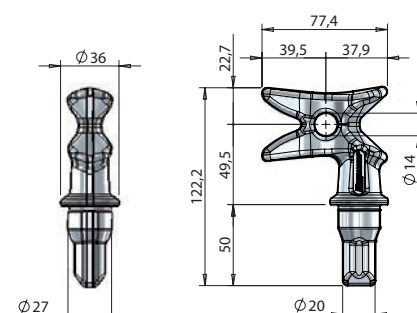


Zaczep P/L ryglowany dla zamknięcia  
ryglowego Ø 22 ST4.  
RH/LH cam Ø 22 ST4 lockable.



| Nr katalog.<br>Reference | $\frac{\text{Kg}}{\text{kg}}$ | Zakończyć<br>Finish                |
|--------------------------|-------------------------------|------------------------------------|
| 025711230                | 0,368                         | Stal nierdzewna<br>Stainless steel |

## ZACZEP DO ZAMKNIĘCIA RYGLOWEGO ŚCIENNEGO Ø27 STAL NIERDZEWNA - CAM FOR EXTERNAL LOCKING GEAR Ø27 STAINLESS STEEL

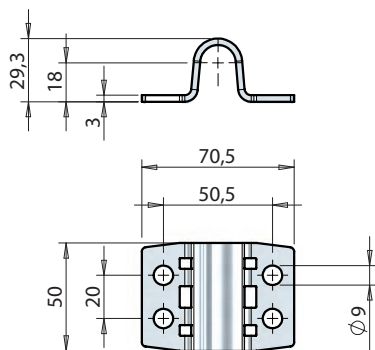


Zaczep P/L ST1 ryglowany dla zamknięcia  
ryglowego Ø 27 PS4.  
RH/LH cam Ø 27 PS4 lockable.



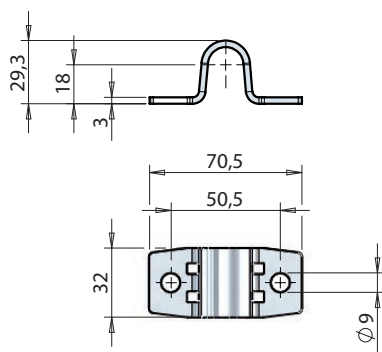
| Nr katalog.<br>Reference | $\frac{\text{Kg}}{\text{kg}}$ | Zakończyć<br>Finish                |
|--------------------------|-------------------------------|------------------------------------|
| 025711226                | 0,53                          | Stal nierdzewna<br>Stainless steel |

AKCESORIA DO ZAMKNIĘCIA RYGLOWEGO ŚCIENNEGO - ACCESSORIES FOR EXTERNAL LOCKING GEAR



Duża prowadnica, część górna Ø 16, długość 50 mm.  
*Upper support guide Ø 16, 50 mm length.*

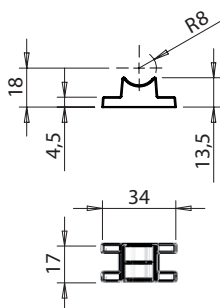
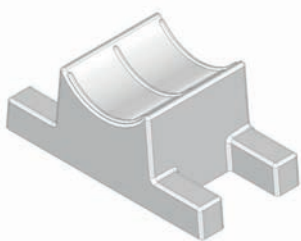
| Nr katalog.<br>Reference | $\triangle$ Kg | Zakończyć<br>Finish            |
|--------------------------|----------------|--------------------------------|
| 026104361                | 0,11           | Stal ocynkowana<br>Zinc plated |



Mała prowadnica, część górna Ø 16, długość 32 mm.  
*Upper support guide Ø 16, 32 mm length.*

| Nr katalog.<br>Reference | $\triangle$ Kg | Zakończyć<br>Finish            |
|--------------------------|----------------|--------------------------------|
| 026104371                | 0,07           | Stal ocynkowana<br>Zinc plated |

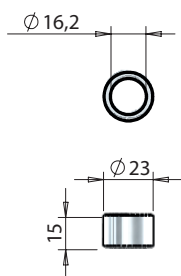
12



Płytkę odparcia nylonowa dla prowadnic Ø 16.  
*Back plate for guide Ø 16.*

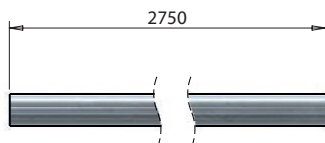
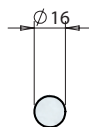


| Nr katalog.<br>Reference | $\triangle$ Kg | Zakończyć<br>Finish   |
|--------------------------|----------------|-----------------------|
| 025704380                | 0,005          | Plastikowy<br>Plastic |



Pierścień przeciwwłamaniowy Ø 16.  
*Anti-rack ring Ø 16.*

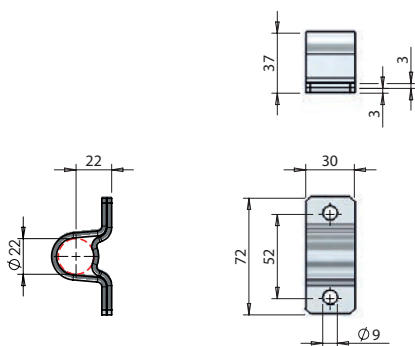
| Nr katalog.<br>Reference | $\triangle$ Kg | Zakończyć<br>Finish            |
|--------------------------|----------------|--------------------------------|
| 026104391                | 0,025          | Stal ocynkowana<br>Zinc plated |



Sworzeń Ø 16 x 2750 mm.  
*Rod Ø 16 x 2750 mm.*

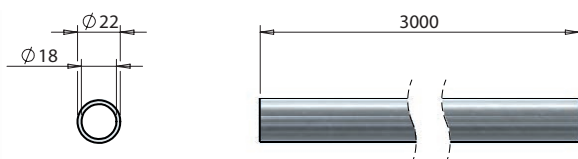
| Nr katalog.<br>Reference | $\triangle$ Kg | Zakończyć<br>Finish            |
|--------------------------|----------------|--------------------------------|
| 026104332                | 4,42           | Stal ocynkowana<br>Zinc plated |

### AKCESORIA DO ZAMKNIĘCIA RYGLOWEGO ŚCIENNEGO - ACCESSORIES FOR EXTERNAL LOCKING GEAR



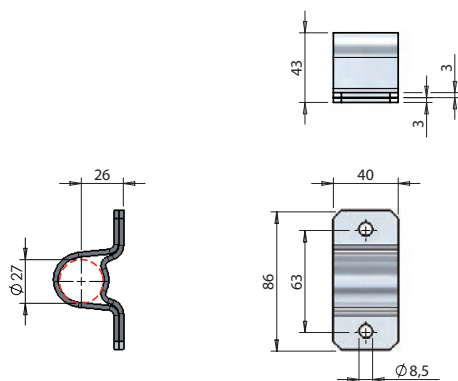
Mała prowadnica  $\varnothing 22$ , długość 30 mm.  
Guide plate  $\varnothing 22$ , 30 mm length.

| Nr katalog.<br>Reference | $\frac{\text{Kg}}{\text{m}}$ | Zakończyć<br>Finish            |
|--------------------------|------------------------------|--------------------------------|
| 026104153                | 0,13                         | Stal ocynkowana<br>Zinc plated |



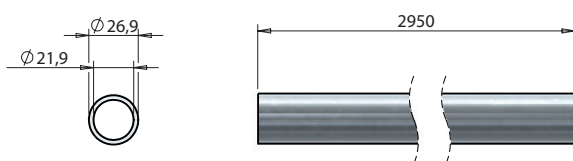
Rura  $\varnothing 22 \times 2 \times 3000$  mm.  
Tube  $\varnothing 22 \times 2 \times 3000$  mm.

| Nr katalog.<br>Reference | $\frac{\text{Kg}}{\text{m}}$ | Zakończyć<br>Finish            |
|--------------------------|------------------------------|--------------------------------|
| 026110029                | 3                            | Stal ocynkowana<br>Zinc plated |



Duża prowadnica  $\varnothing 27$  długość 40 mm.  
Guide plate  $\varnothing 27$ , 40 mm length.

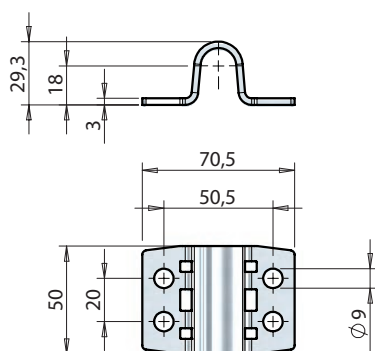
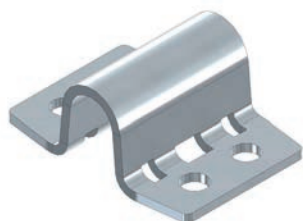
| Nr katalog.<br>Reference | $\frac{\text{Kg}}{\text{m}}$ | Zakończyć<br>Finish            |
|--------------------------|------------------------------|--------------------------------|
| 02610347B                | 0,2                          | Stal ocynkowana<br>Zinc plated |



Rura  $\varnothing 26,9 \times 2,5 \times 3000$  mm.  
Tube  $\varnothing 26,9 \times 2,5 \times 3000$  mm.

| Nr katalog.<br>Reference | $\frac{\text{Kg}}{\text{m}}$ | Zakończyć<br>Finish            |
|--------------------------|------------------------------|--------------------------------|
| 026110026                | 4,4                          | Stal ocynkowana<br>Zinc plated |

### AKCESORIA DO ZAMKNIĘCIA RYGLOWEGO ŚCIENNEGO, STAL NIERDZEWNA - ACCESSORIES FOR EXTERNAL LOCKING GEAR STAINLESS STEEL



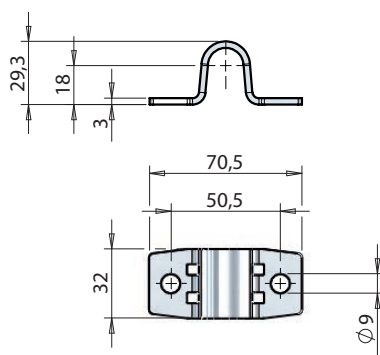
Duża prowadnica, część górna  $\varnothing 16$ , długość 50 mm.

Upper support guide  $\varnothing 16$ , 50 mm length.

**Furgocar**  
LIMEX OUTLET

| Nr katalog.<br>Reference | $\frac{\text{Kg}}{\text{m}}$ | Zakończyć<br>Finish                |
|--------------------------|------------------------------|------------------------------------|
| 025704360                | 0,11                         | Stal nierdzewna<br>Stainless steel |

**AKCESORIA DO ZAMKNIĘCIA RYGLOWEGO ŚCIENNEGO, STAL NIERDZEWNA - ACCESSORIES FOR EXTERNAL LOCKING GEAR STAINLESS STEEL**

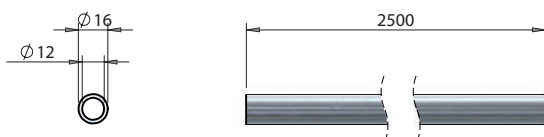


Mała prowadnica, część górna Ø 16, długość 32 mm.

*Upper support guide Ø 16, 32 mm length.*



| Nr katalog.<br>Reference | $\triangle$ Kg | Zakończyć<br>Finish                |
|--------------------------|----------------|------------------------------------|
| 025704370                | 0,07           | Stal nierdzewna<br>Stainless steel |

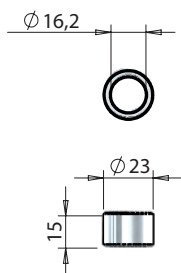


Rura Ø 16 x 2 x 2500 mm.

*Tube Ø 16 x 2 x 2500 mm.*



| Nr katalog.<br>Reference | $\triangle$ Kg | Zakończyć<br>Finish                |
|--------------------------|----------------|------------------------------------|
| 025704330                | 1,753          | Stal nierdzewna<br>Stainless steel |



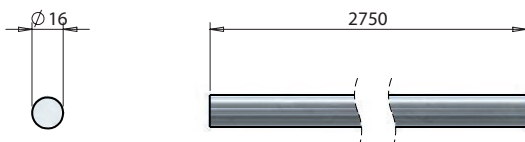
Pierścień przeciwwłamaniowy Ø 16.

*Anti-rack ring Ø 16.*



| Nr katalog.<br>Reference | $\triangle$ Kg | Zakończyć<br>Finish                |
|--------------------------|----------------|------------------------------------|
| 025704390                | 0,025          | Stal nierdzewna<br>Stainless steel |

12

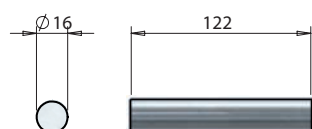


Sworzeń Ø 16 x 2750 mm.

*Rod Ø 16 x 2750 mm.*



| Nr katalog.<br>Reference | $\triangle$ Kg | Zakończyć<br>Finish                |
|--------------------------|----------------|------------------------------------|
| 025704331                | 4,34           | Stal nierdzewna<br>Stainless steel |



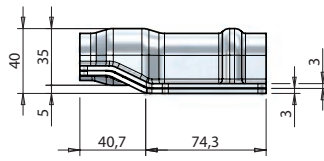
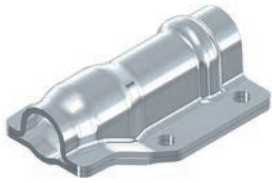
Półoś stal nierdzewna Ø 16 x 122 mm.

*Half stainless steel pin Ø 16 x 122 mm.*

| Nr katalog.<br>Reference | $\triangle$ Kg | Zakończyć<br>Finish                |
|--------------------------|----------------|------------------------------------|
| 2344494AX                | 0,175          | Stal nierdzewna<br>Stainless steel |



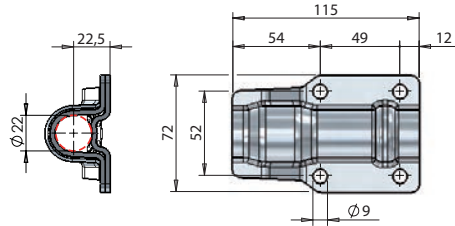
### AKCESORIA DO ZAMKNIĘCIA RYGLOWEGO ŚCIENNEGO, STAL NIERDZEWNA - ACCESSORIES FOR EXTERNAL LOCKING GEAR STAINLESS STEEL



Duża prowadnica odchylona  $\varnothing 22$ .  
Cranked support guide  $\varnothing 22$ .

**Furgocar**  
ENX QUALITY

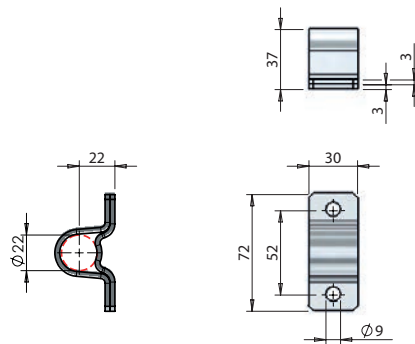
| Nr katalog.<br>Reference | $\frac{\text{Kg}}{\text{m}}$ | Zakończyć<br>Finish                |
|--------------------------|------------------------------|------------------------------------|
| 025704430                | 0,44                         | Stal nierdzewna<br>Stainless steel |



Mała prowadnica  $\varnothing 22$ , długość 30 mm.  
Guide plate  $\varnothing 22$ , 30 mm length.

**Furgocar**  
ENX QUALITY

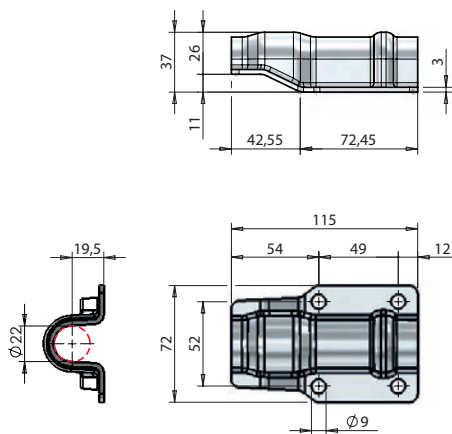
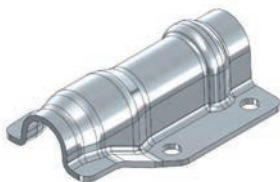
| Nr katalog.<br>Reference | $\frac{\text{Kg}}{\text{m}}$ | Zakończyć<br>Finish                |
|--------------------------|------------------------------|------------------------------------|
| 025704150                | 0,13                         | Stal nierdzewna<br>Stainless steel |



Wielki przewodnicy  $\varnothing 22$ .  
Upper part cranked support guide  $\varnothing 22$ .

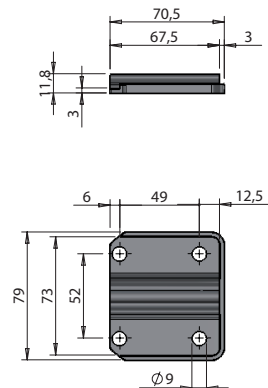
**Furgocar**  
ENX QUALITY

| Nr katalog.<br>Reference | $\frac{\text{Kg}}{\text{m}}$ | Zakończyć<br>Finish                |
|--------------------------|------------------------------|------------------------------------|
| 025704431                | 0,440                        | Stal nierdzewna<br>Stainless steel |



Płytki dolna. Do dużej prowadnicy odchylonej  $\varnothing 22$ .  
Back plate for cranked support guide  $\varnothing 22$ .

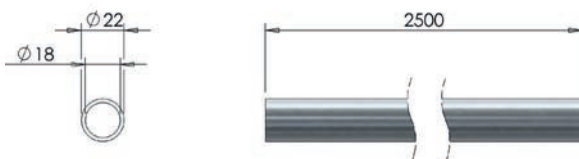
| Nr katalog.<br>Reference | $\frac{\text{Kg}}{\text{m}}$ | Zakończyć<br>Finish   |
|--------------------------|------------------------------|-----------------------|
| 025704433                | 0,025                        | Plastikowy<br>Plastic |



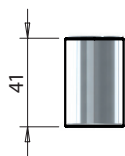
Rura  $\varnothing 22 \times 2 \times 2500$  mm.  
Tube  $\varnothing 22 \times 2 \times 2500$  mm.

**Furgocar**  
ENX QUALITY

| Nr katalog.<br>Reference | $\frac{\text{Kg}}{\text{m}}$ | Zakończyć<br>Finish                |
|--------------------------|------------------------------|------------------------------------|
| 025704120                | 2,505                        | Stal nierdzewna<br>Stainless steel |



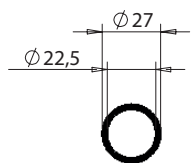
AKCESORIA DO ZAMKNIĘCIA RYGLOWEGO ŚCIENNEGO, STAL NIERDZEWNA - ACCESSORIES FOR EXTERNAL LOCKING GEAR STAINLESS STEEL



Pierścień Ø 22, długość 41 mm.  
Spacer sleeve Ø 22 length 41 mm.

**Furgocar**  
BEST QUALITY

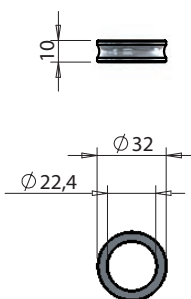
| Nr katalog.<br>Reference | $\triangle$ Kg | Zakończyć<br>Finish                |
|--------------------------|----------------|------------------------------------|
| 025710763                | 0,045          | Stal nierdzewna<br>Stainless steel |



Pierścień przeciwwłamaniowy Ø 22.  
Anti-rack ring Ø 22.

**Furgocar**  
BEST QUALITY

| Nr katalog.<br>Reference | $\triangle$ Kg | Zakończyć<br>Finish                |
|--------------------------|----------------|------------------------------------|
| 025704190                | 0,03           | Stal nierdzewna<br>Stainless steel |

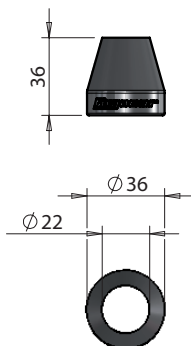


Osłona pierścienia przeciwwłamaniowego Ø 22.  
Protective cover for anti-rack ring Ø 22.

**Furgocar**  
BEST QUALITY

| Nr katalog.<br>Reference | $\triangle$ Kg | Zakończyć<br>Finish   |
|--------------------------|----------------|-----------------------|
| 025704210                | 0,01           | Plastikowy<br>Plastic |

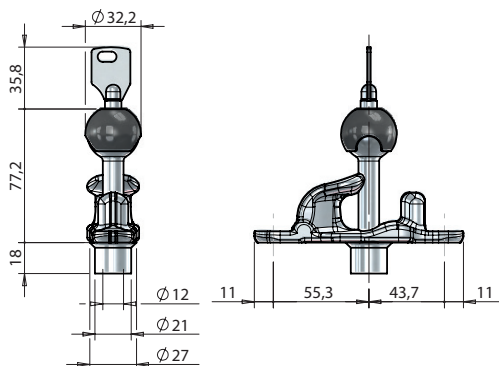
12



Zestaw gniazda rygla przeciwwłamaniowego Ø 22 ST4, dostarczony z 3 kluczami cylindrycznymi.  
High security keeper kit Ø 22 ST4, with 3 special spherical keys.

**Furgocar**  
BEST QUALITY

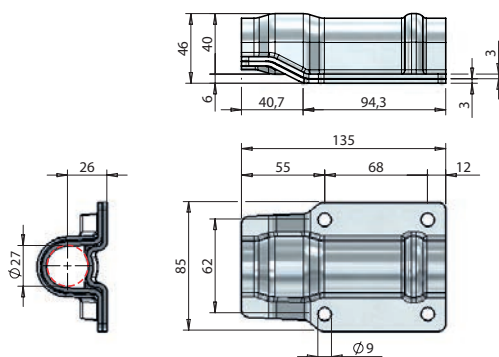
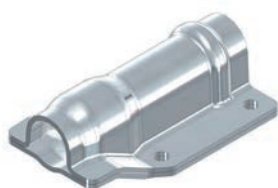
| Nr katalog.<br>Reference | $\triangle$ Kg | Zakończyć<br>Finish                |
|--------------------------|----------------|------------------------------------|
| 025711616                | 0,542          | Stal nierdzewna<br>Stainless steel |



Duża prowadnica odchylona Ø 27.  
Cranked support guide Ø 27.

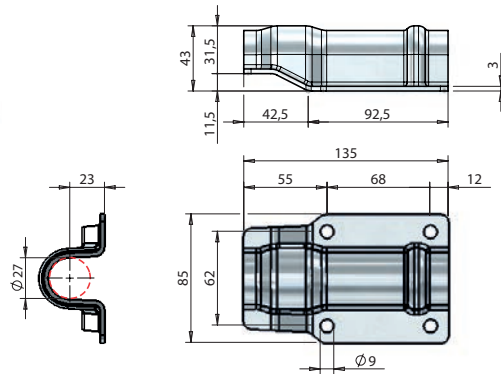
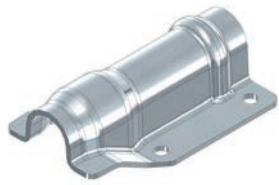
**Furgocar**  
BEST QUALITY

| Nr katalog.<br>Reference | $\triangle$ Kg | Zakończyć<br>Finish                |
|--------------------------|----------------|------------------------------------|
| 025704420                | 0,65           | Stal nierdzewna<br>Stainless steel |





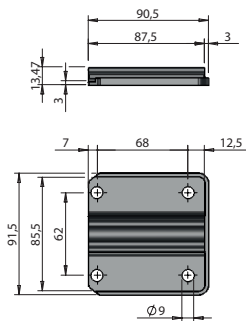
### AKCESORIA DO ZAMKNIĘCIA RYGLOWEGO ŚCIENNEGO, STAL NIERDZEWNA - ACCESSORIES FOR EXTERNAL LOCKING GEAR STAINLESS STEEL



Wielki przewodnicy  $\varnothing 27$ .  
Cranked support guide  $\varnothing 27$ .

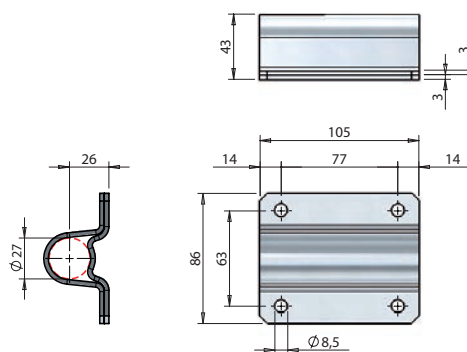
Furgocar  
ENIGK QUALITÄT

| Nr katalog.<br>Reference |  Kg | Zakończyć<br>Finish                |
|--------------------------|--|------------------------------------|
| 025704421                | 0,650  | Stal nierdzewna<br>Stainless steel |



Płytką dolną plastikową do dużej prowadnicy odchylonej  $\varnothing 27$ .  
Back plate for cranked support guide  $\varnothing 27$ .

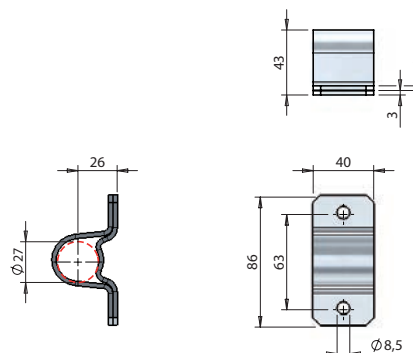
| Nr katalog.<br>Reference |  Kg | Zakończyć<br>Finish   |
|--------------------------|--|-----------------------|
| 025704423                | 0,04   | Plastikowy<br>Plastic |



Duża prowadnica  $\varnothing 27$  długość 105 mm.  
Guide plate  $\varnothing 27$ , 105 mm length.


Furgocar  
ENIGK QUALITÄT

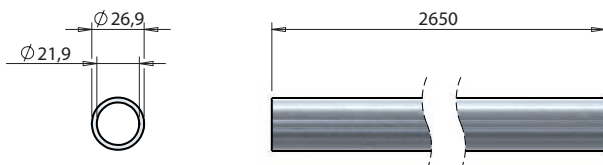
| Nr katalog.<br>Reference |  Kg | Zakończyć<br>Finish                |
|--------------------------|--|------------------------------------|
| 025703460                | 0,56   | Stal nierdzewna<br>Stainless steel |



Duża prowadnica  $\varnothing 27$  długość 40 mm.  
Guide plate  $\varnothing 27$ , 40 mm length.


Furgocar  
ENIGK QUALITÄT

| Nr katalog.<br>Reference |  Kg | Zakończyć<br>Finish                |
|--------------------------|--|------------------------------------|
| 025703470                | 0,21   | Stal nierdzewna<br>Stainless steel |

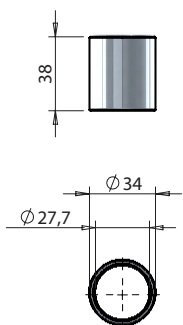


Rura  $\varnothing 26,9 \times 2,5 \times 2650$  mm.  
Tube  $\varnothing 26,9 \times 2,5 \times 2650$  mm.

Furgocar  
ENIGK QUALITÄT

| Nr katalog.<br>Reference |  Kg | A (mm) | Zakończyć<br>Finish                |
|--------------------------|--|--------|------------------------------------|
| 025703570                | 4,047  | 27     | Stal nierdzewna<br>Stainless steel |

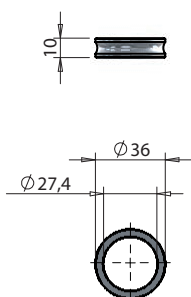
**AKCESORIA DO ZAMKNIĘCIA RYGLOWEGO ŚCIENNEGO, STAL NIERDZEWNA - ACCESSORIES FOR EXTERNAL LOCKING GEAR STAINLESS STEEL**



Pierścień  $\varnothing$  27 długość 38 mm.  
Spacer sleeve  $\varnothing$  27, 38 mm length.



| Nr katalog.<br>Reference | $\frac{Kg}{\triangle}$ | Zakończyć<br>Finish                |
|--------------------------|------------------------|------------------------------------|
| 025710495                | 0,078                  | Stal nierdzewna<br>Stainless steel |

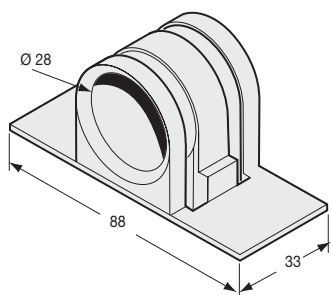


Pierścień przeciwwłamaniowy  $\varnothing$  27.  
Anti-rack ring  $\varnothing$  27.



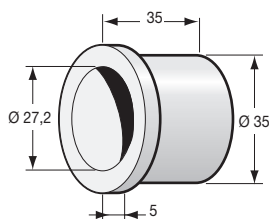
| Nr katalog.<br>Reference | $\frac{Kg}{\triangle}$ | Zakończyć<br>Finish                |
|--------------------------|------------------------|------------------------------------|
| 025703480                | 0,03                   | Stal nierdzewna<br>Stainless steel |

12



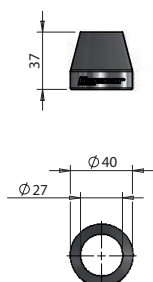
Pierścień z tworzywa Delrin.  
Delrin bush.

| Nr katalog.<br>Reference | $\frac{Kg}{\triangle}$ | Zakończyć<br>Finish                |
|--------------------------|------------------------|------------------------------------|
| 2344448BA                | 0,020                  | Stal nierdzewna<br>Stainless steel |



Pierścień nylonowy z odsadzeniem.  
Nylon shouldered bush.

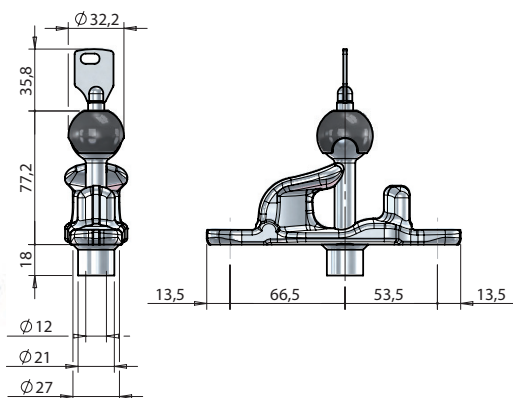
| Nr katalog.<br>Reference | $\frac{Kg}{\triangle}$ | Zakończyć<br>Finish                |
|--------------------------|------------------------|------------------------------------|
| 2344439                  | 0,012                  | Stal nierdzewna<br>Stainless steel |



Osłona pierścienia przeciwwłamaniowego  $\varnothing$  27.  
Protective cover for anti-rack ring  $\varnothing$  27.

| Nr katalog.<br>Reference | $\frac{Kg}{\triangle}$ | Zakończyć<br>Finish   |
|--------------------------|------------------------|-----------------------|
| 025703490                | 0,01                   | Plastikowy<br>Plastic |

### AKCESORIA DO ZAMKNIĘCIA RYGLOWEGO ŚCIENNEGO, STAL NIERDZEWNA - ACCESSORIES FOR EXTERNAL LOCKING GEAR STAINLESS STEEL



Zestaw gniazda rygla przeciwwłamaniowy Ø 27 PS4, dostarczony z 3 kluczami cylindrycznymi.  
*High security keeper kit Ø 27 PS4, with 3 special spherical keys.*



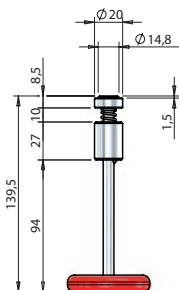
| Nr katalog.<br>Reference |  Kg | Zakończyć<br>Finish                |
|--------------------------|--|------------------------------------|
| 025711617                | 0,772  | Stal nierdzewna<br>Stainless steel |



Kolek rozporowy stożkowy Ø 6 x 29 mm KERB.  
*Tapered pins Ø 6 x 29 mm KERB.*




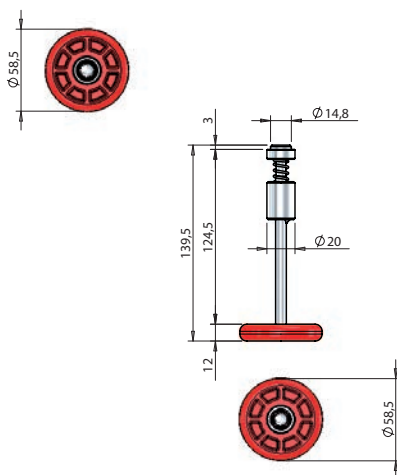
| Nr katalog.<br>Reference |  Kg | Zakończyć<br>Finish                |
|--------------------------|--|------------------------------------|
| 025703551                | 0,006  | Stal nierdzewna<br>Stainless steel |



Przycisk wewnętrzny do odblokowania zamknięcia Ø 16.  
*Internal release device. To install in all locks Ø 16.*



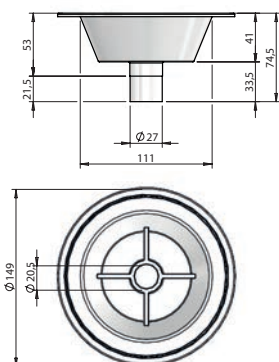
| Nr katalog.<br>Reference |  Kg | Zakończyć<br>Finish                |
|--------------------------|--|------------------------------------|
| 021610335                | 0,132  | Stal nierdzewna<br>Stainless steel |




Przycisk odblokowania od wewnątrz dla zamknięć Ø 22 i Ø 27.  
*Internal release device for all Ø 22 and Ø 27 locks.*



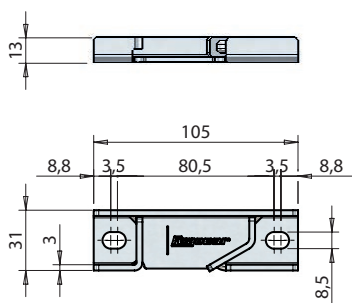
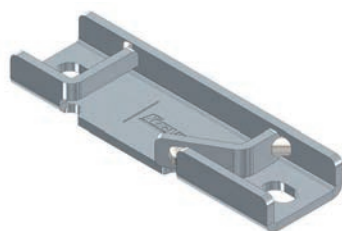
| Nr katalog.<br>Reference |  Kg | Zakończyć<br>Finish                |
|--------------------------|--|------------------------------------|
| 025710255                | 0,125  | Stal nierdzewna<br>Stainless steel |



Misczka popychacza.  
*Plastic pan for internal release device.*

| Nr katalog.<br>Reference |  Kg | Zakończyć<br>Finish   |
|--------------------------|--|-----------------------|
| 025710254                | 0,132  | Plastikowy<br>Plastic |

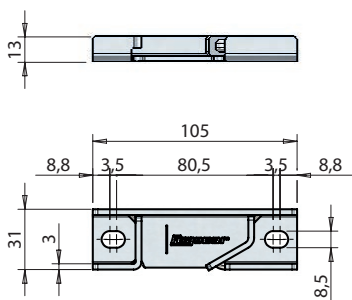
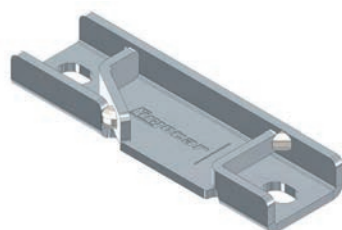
**GNIAZDO RYGLA WPUSZCZANE Ø16 STAL NIERDZEWNA - KEEPER FOR RECESSED LOCKING GEAR Ø16 STAINLESS STEEL**



Gniazdo rygla strona prawa 13 mm do mocowania poziomego.  
*RH keeper for horizontal operation 13 mm height.*



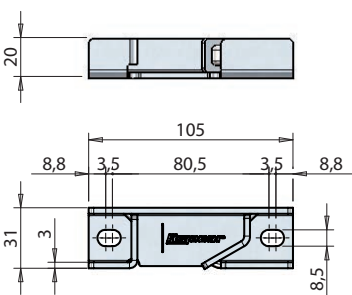
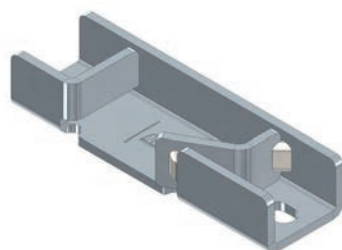
| Nr katalog.<br>Reference | $\frac{Kg}{\Delta}$ | Zakończyć<br>Finish                |
|--------------------------|---------------------|------------------------------------|
| 021610822                | 0,114               | Stal nierdzewna<br>Stainless steel |



Gniazdo rygla strona lewa 13 mm do mocowania poziomego.  
*LH keeper for horizontal operation 13 mm height.*



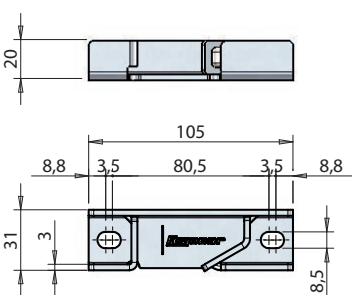
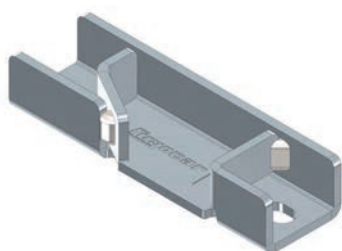
| Nr katalog.<br>Reference | $\frac{Kg}{\Delta}$ | Zakończyć<br>Finish                |
|--------------------------|---------------------|------------------------------------|
| 021610823                | 0,114               | Stal nierdzewna<br>Stainless steel |



Gniazdo rygla strona prawa 20 mm do mocowania poziomego.  
*RH keeper for horizontal operation 20 mm height.*



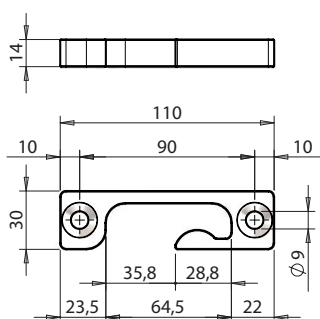
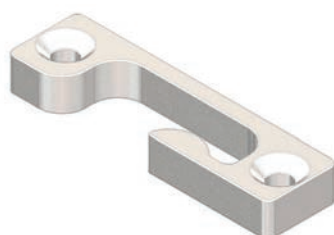
| Nr katalog.<br>Reference | $\frac{Kg}{\Delta}$ | Zakończyć<br>Finish                |
|--------------------------|---------------------|------------------------------------|
| 021610820                | 0,150               | Stal nierdzewna<br>Stainless steel |



Gniazdo rygla strona lewa 20 mm do mocowania poziomego.  
*LH keeper for horizontal operation 20 mm height.*



| Nr katalog.<br>Reference | $\frac{Kg}{\Delta}$ | Zakończyć<br>Finish                |
|--------------------------|---------------------|------------------------------------|
| 021610821                | 0,150               | Stal nierdzewna<br>Stainless steel |

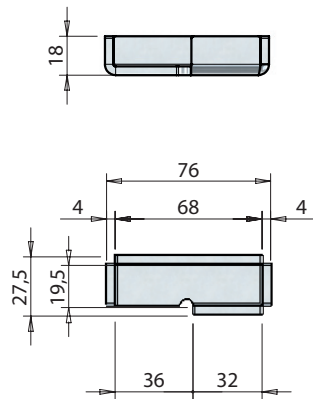
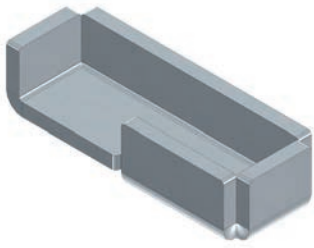


Gniazdo rygla P/L mocowanie poziome.  
*RH/LH universal keeper for horizontal operation.*



| Nr katalog.<br>Reference | $\frac{Kg}{\Delta}$ | Zakończyć<br>Finish                |
|--------------------------|---------------------|------------------------------------|
| 02160309M                | 0,190               | Stal nierdzewna<br>Stainless steel |

**GNIAZDO RYGLA WPUSZCZANE Ø16 STAL NIERDZEWNA - KEEPER FOR RECESSED LOCKING GEAR Ø16 STAINLESS STEEL**

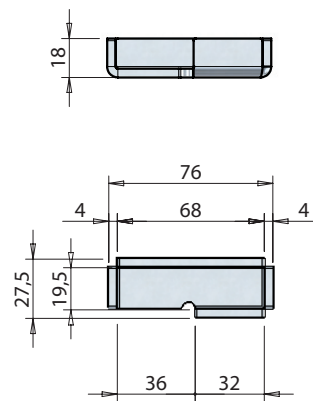
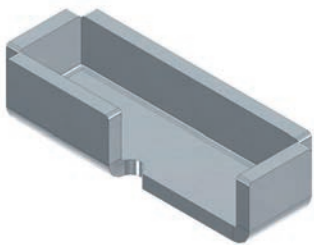


Gniazdo rygla strona prawa do przyspawania, mocowanie poziome.

*RH weld-on keeper for horizontal operation.*



| Nr katalog.<br>Reference |  | Zakończyć<br>Finish                |
|--------------------------|---|------------------------------------|
| 021610204                | 0,104   | Stal nierdzewna<br>Stainless steel |



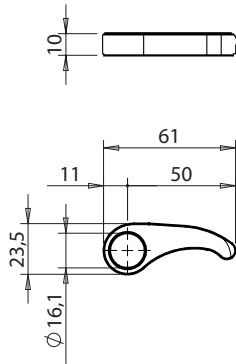
Gniazdo rygla strona lewa do przyspawania, mocowanie poziome.

*LH weld-on keeper for horizontal operation.*



| Nr katalog.<br>Reference |  | Zakończyć<br>Finish                |
|--------------------------|---|------------------------------------|
| 021610205                | 0,104   | Stal nierdzewna<br>Stainless steel |

**ZACZEP DO ZAMKNIĘCIA RYGLOWEGO WPUSZCZANY Ø16 STAL NIERDZEWNA - CAM FOR RECESSED LOCKING GEAR Ø16 STAINLESS STEEL**

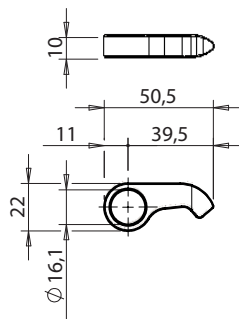
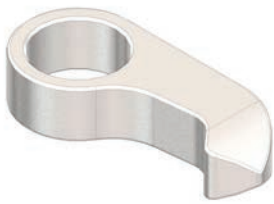


Zaczep P/L dla gniazda rygla do mocowania poziomego.

*RH/LH universal cam for horizontal operation.*



| Nr katalog.<br>Reference |  Kg | Zakończyć<br>Finish                |
|--------------------------|--|------------------------------------|
| 02160309L                | 0,050  | Stal nierdzewna<br>Stainless steel |



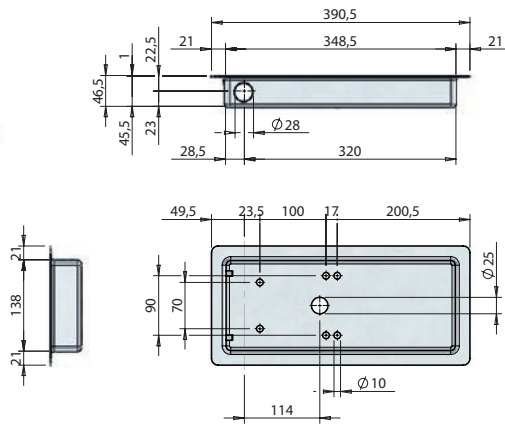
Zaczep P/L dla gniazda rygla do mocowania poziomego.

*RH/LH cams for horizontal operation for keeper thickness.*



| Nr katalog.<br>Reference |  Kg | Zakończyć<br>Finish                |
|--------------------------|--|------------------------------------|
| 021603109                | 0,04   | Stal nierdzewna<br>Stainless steel |

## AKCESORIA DO ZAMKNIĘCIA RYGLOWEGO WPUSZCZANE, STAL NIERDZEWNA - ACCESSORIES FOR RECESSED LOCKING GEAR STAINLESS STEEL

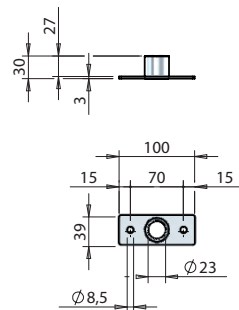


Wnęka wpuszczana do zamknięć ściennych TORSEO Ø 22 SH-X.

*Pan for recessing external locks TORSEO Ø 22 SH-X.*



| Nr katalog.<br>Reference | $\frac{\text{Kg}}{\text{m}}$ | Zakończyć<br>Finish                |
|--------------------------|------------------------------|------------------------------------|
| 021610463                | 0,821                        | Stal nierdzewna<br>Stainless steel |

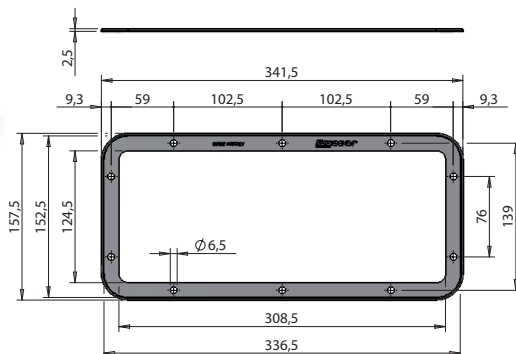


Prowadnica rury, wysokość 30 mm dla zamknięcia ryglowego do wpuszczenia Ø 22.

*Locking gear tube Ø 22 guide sleeve, height 30 mm.*



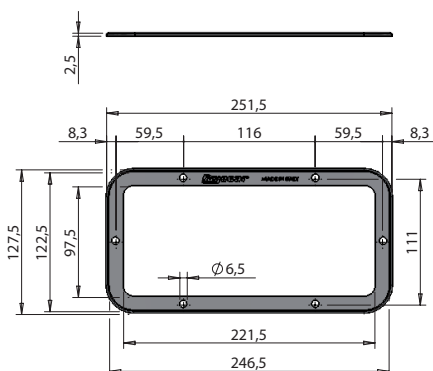
| Nr katalog.<br>Reference | $\frac{\text{Kg}}{\text{m}}$ | Zakończyć<br>Finish                |
|--------------------------|------------------------------|------------------------------------|
| 021610982                | 0,154                        | Stal nierdzewna<br>Stainless steel |



Uszczelka do zamknięcia TORSEO wpuszczana Ø 16.

*Gasket for recessed lock TORSEO Ø 16.*

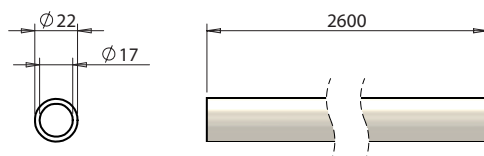
| Nr katalog.<br>Reference | $\frac{\text{Kg}}{\text{m}}$ | Zakończyć<br>Finish   |
|--------------------------|------------------------------|-----------------------|
| 021603791                | 0,02                         | Plastikowy<br>Plastic |



Uszczelka do zamknięcia MINI-PUSH wpuszczana.

*Gasket for recessed lock MINI-PUSH*

| Nr katalog.<br>Reference | $\frac{\text{Kg}}{\text{m}}$ | Zakończyć<br>Finish   |
|--------------------------|------------------------------|-----------------------|
| 021610725                | 0,014                        | Plastikowy<br>Plastic |



Rurka profilowana Ø 22 x 2,5 x 2600 mm.

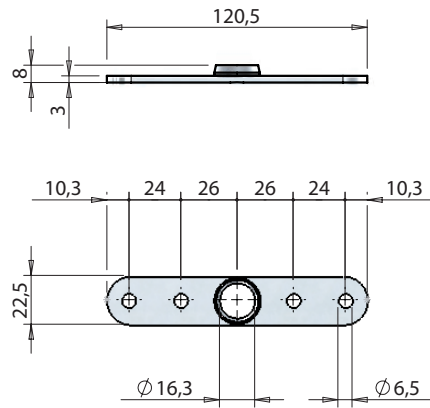
*Pultruded tube Ø 22 x 2,5 x 2600 mm.*



| Nr katalog.<br>Reference | $\frac{\text{Kg}}{\text{m}}$ | Zakończyć<br>Finish          |
|--------------------------|------------------------------|------------------------------|
| 021610128                | 0,82                         | Włókno szklane<br>Fiberglass |



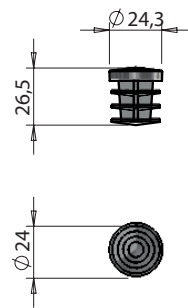
**AKCESORIA DO ZAMKNIĘCIA RYGLOWEGO WPUSZCZANE, STAL NIERDZEWNA - ACCESSORIES FOR RECESSED LOCKING GEAR STAINLESS STEEL**



Przewodnicy  $\varnothing 16$ .  
 Guide plate for rod  $\varnothing 16$ .



| Nr katalog.<br>Reference | $\frac{Kg}{\Delta}$ | Zakończyć<br>Finish                |
|--------------------------|---------------------|------------------------------------|
| 021603310                | 0,055               | Stal nierdzewna<br>Stainless steel |

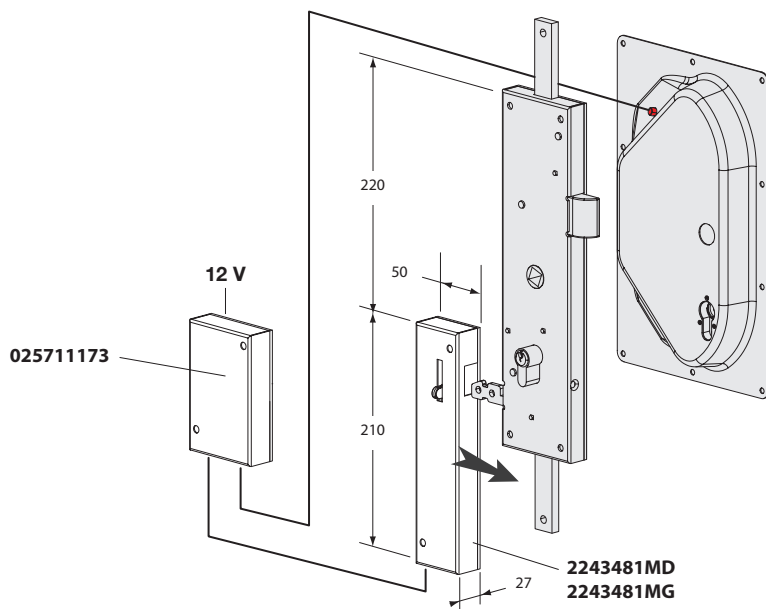


Zaślepka plastikowa dla rury  $\varnothing 22$ .  
 Plastic cap for tube  $\varnothing 22$ .

| Nr katalog.<br>Reference | $\frac{Kg}{\Delta}$ | Zakończyć<br>Finish   |
|--------------------------|---------------------|-----------------------|
| 021610343                | 0,003               | Plastikowy<br>Plastic |



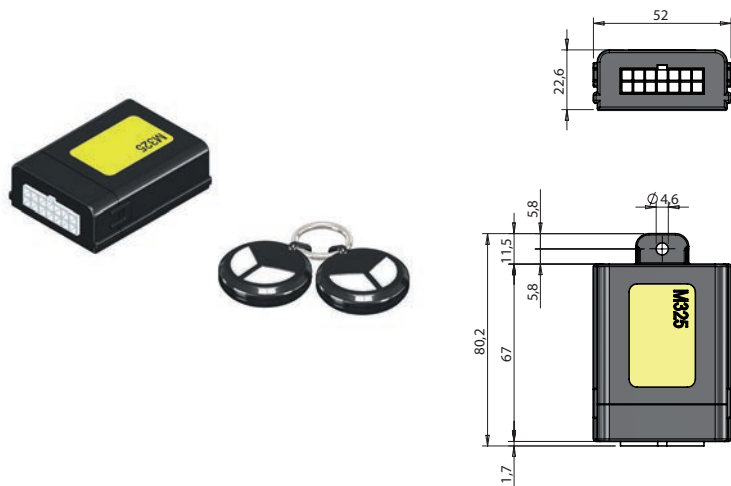
AKCESORA DO ZAMKNIĘCIA RYGLOWEGO Z CIĘGNIAMI - ACCESSORIES FOR ROD LOCK



Moduł dodatkowy do ryglowania elektrycznego kasety (+ LED).

*Additional electric locking module for lock (+ LED).*

| Nr katalog.<br>Reference | Dla<br>For             | Strona<br>Hand |
|--------------------------|------------------------|----------------|
| 2243482MD                | 2243482FD<br>2243483FD | Prawa<br>Right |
| 2243483MG                | 2243482FG<br>2243483FG | Lewa<br>Left   |

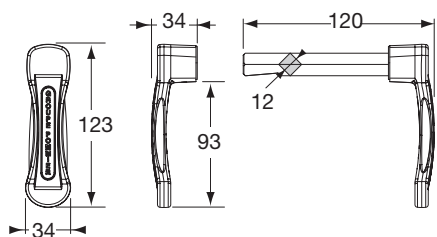


Odbiornik + wiązki elektryczną, dostarczane z 2 pilota.

*Receiver with electric beam delivered with 2 remote control.*

| Nr katalog.<br>Reference | Kg   | Dla<br>For  |
|--------------------------|------|---|
| 025711173                | 0,40 | 020911647<br>025711172<br>025711171<br>2243482FD<br>2243482FG<br>2243483FD<br>2243483FG |

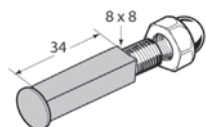
12



Zespół kalmek, wewnętrzna z plastiku.

*Plastic handle / inner handle set.*

| Nr katalog.<br>Reference | Kg    | Dla<br>For             |
|--------------------------|-------|------------------------|
| 2243481PO                | 0,268 | 2243482CD<br>2243482CG |



Surowy cholewka kwadratowe.

*Self colour steel square shank.*

| Nr katalog.<br>Reference | Kg    |
|--------------------------|-------|
| 2243491                  | 0,226 |

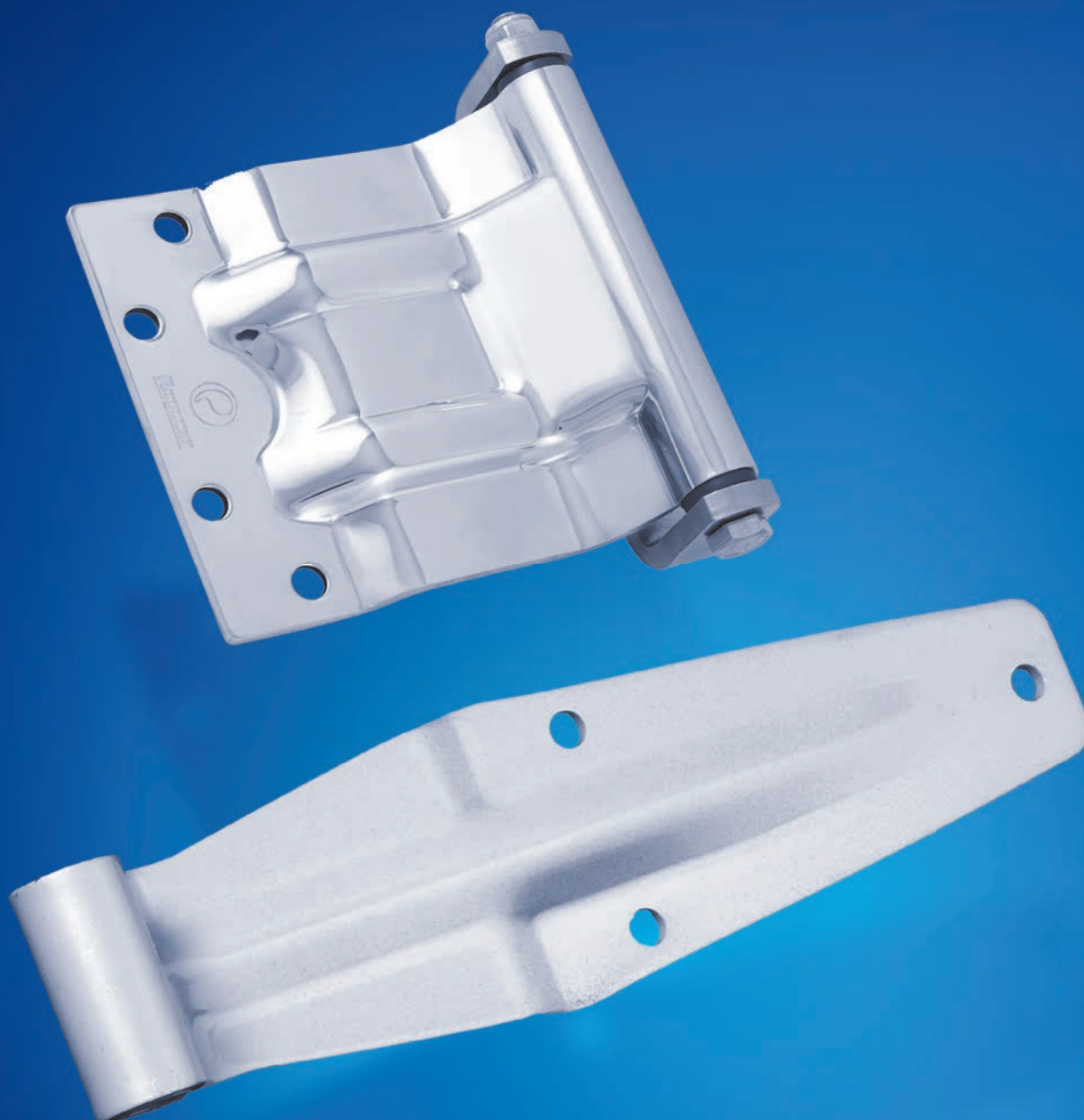


## ZAWIASY

Stal nierdzewna, stal, aluminium, mosiądz, tworzywo, żal

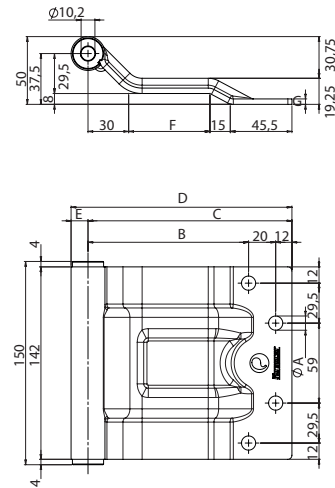
## HINGES

*Stainless steel, steel, aluminum, brass, plastic, chrome plated zinc*





STAL NIERDZEWNA - *STAINLESS STEEL*

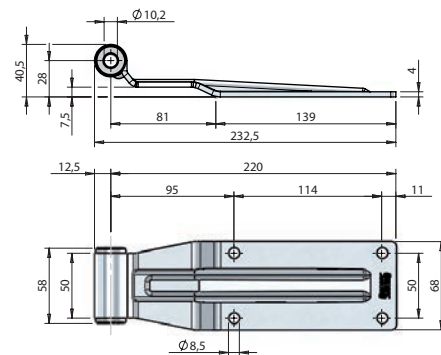


Płetwa HK ze stali nierdzewnej z pierścieniami samosmarownymi, dla płyt do 40 - 120 mm.  
*Stainless steel hinge HK with self-lubricating bushes, for 40 - 120 mm panel thickness.*



| Nr katalog.<br>Reference | $\frac{Kg}{\Delta}$ | B<br>(mm) | C<br>(mm) | E<br>(mm) | F<br>(mm) | G<br>(mm) | Typ<br>Type | Dla<br>For             | Zakończyć<br>Finish                |
|--------------------------|---------------------|-----------|-----------|-----------|-----------|-----------|-------------|------------------------|------------------------------------|
| 084011761                | 0,950               | 98.5      | 130.5     | 11.5      | 40        | 4         | HK 40-60    | 084011775<br>084011776 | Stal nierdzewna<br>Stainless steel |
| 084011762                | 0,950               | 118.5     | 150.5     | 12.5      | 60        | 4         | HK 60-80    | 084011773<br>084011774 | Stal nierdzewna<br>Stainless steel |
| 084011763                | 0,950               | 138.5     | 170.5     | 12.5      | 80        | 4         | HK 80-100   | 084011773<br>084011774 | Stal nierdzewna<br>Stainless steel |
| 084011764                | 0,950               | 158.5     | 190.5     | 13.5      | 100       | 4         | HK 100-120  | 084011773<br>084011774 | Stal nierdzewna<br>Stainless steel |

13

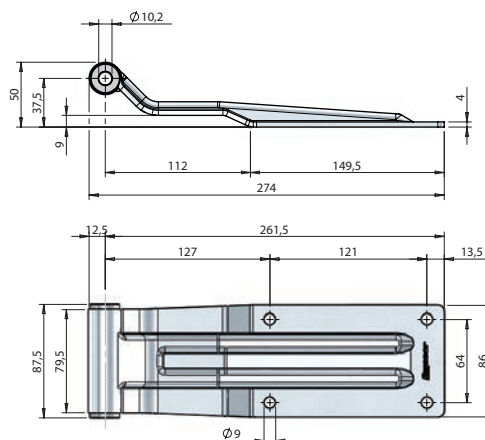


Płetwa ze stali nierdzewnej z pierścieniami samosmarownymi, dla płyt do 60 mm.  
*Stainless steel hinge with self-lubricating bushes, for max. 60 mm panel thickness.*



| Nr katalog.<br>Reference | $\frac{Kg}{\Delta}$ | Dla<br>For                                       |
|--------------------------|---------------------|--|
| 081505460                | 0,57                | 081505480<br>081505500<br>081505520<br>081505521 |

**STAL NIERDZEWNA - STAINLESS STEEL**

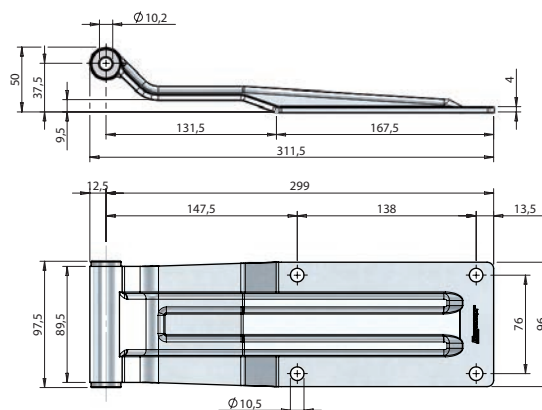


Płetwa ze stali nierdzewnej z pierścieniami samosmarowalnymi, dla płyt do 80 mm.  
*Stainless steel hinge with self-lubricating bushes, for max. 80 mm panel thickness.*



| Nr katalog.<br>Reference | $\frac{\varnothing}{Kg}$ | Dla<br>For | Zakończyć<br>Finish |
|--------------------------|--------------------------|------------|---------------------|
| 082505710                | 0,91                     | 082505750  | Stal nierdzewna     |
|                          |                          | 082510209  | Stainless steel     |
|                          |                          | 082500211  |                     |
|                          |                          | 082505770  |                     |
|                          |                          | 082505790  |                     |
|                          |                          | 082005792  |                     |

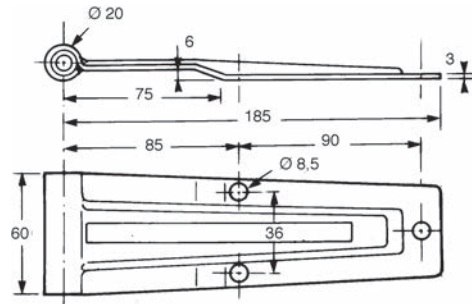
13



Płetwa ze stali nierdzewnej z pierścieniami samosmarowalnymi, dla płyt do 100 mm.  
*Stainless steel hinge with self-lubricating bushes, for max. 100 mm panel thickness.*

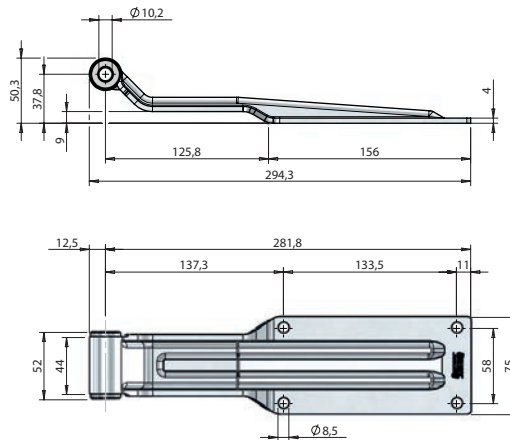
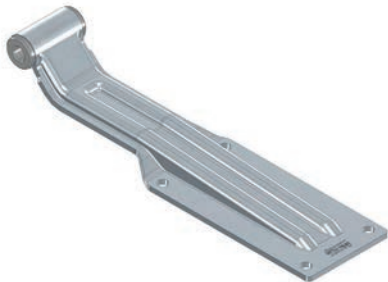


| Nr katalog.<br>Reference | $\frac{\varnothing}{Kg}$ | Dla<br>For | Zakończyć<br>Finish |
|--------------------------|--------------------------|------------|---------------------|
| 082005700                | 1,13                     | 082005740  | Stal nierdzewna     |
|                          |                          | 082010207  | Stainless steel     |
|                          |                          | 082010189  |                     |
|                          |                          | 082005760  |                     |
|                          |                          | 082005780  |                     |
|                          |                          | 082005792  |                     |

**STAL NIERDZEWNA - STAINLESS STEEL**


Płetwa stalowa, pokrycie szarą farbą poliesterową, z tulejką nylonową, stal nierdzewna 18/10.  
*Polished stainless steel hinge with nylon bushes.*

| Nr katalog.<br>Reference |  Kg | Dla<br>For | Zakończyć<br>Finish                |
|--------------------------|--|------------|------------------------------------|
| 2704473                  | 0,31   | 2704474    | Stal nierdzewna<br>Stainless steel |



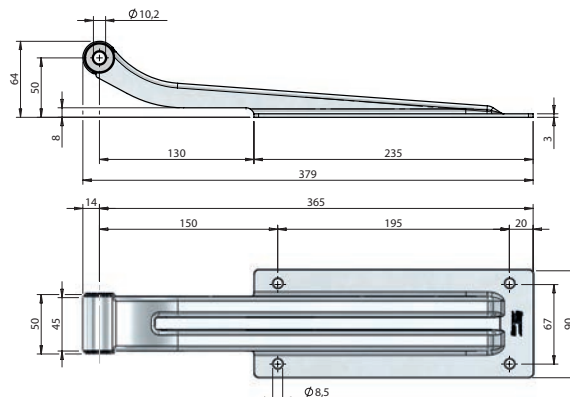
Płetwa zawiasu do tylnych drzwi małych i średnich kontenerów chłodniczych wyposażona w pierścienie samosmarowalne.  
 Grubość płyty max. 100 mm.

*Rear door hinge for small-medium bodies. Supported by self-lubricating bushes. Wall panel thickness max. 100 mm.*



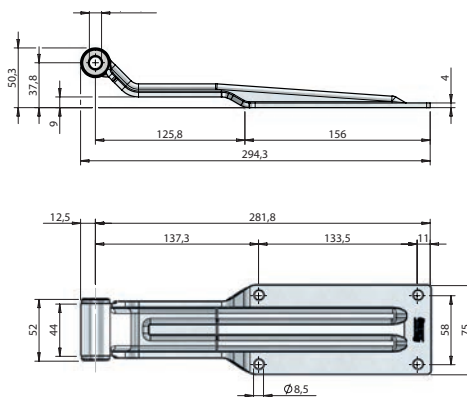
| Nr katalog.<br>Reference |  Kg | Dla<br>For                          | Zakończyć<br>Finish                |
|--------------------------|--|-------------------------------------|------------------------------------|
| 081005340                | 0,710  | 081005360<br>081005380<br>081005420 | Stal nierdzewna<br>Stainless steel |

**STAL CYNKOWANA - ZINC PLATED STEEL**



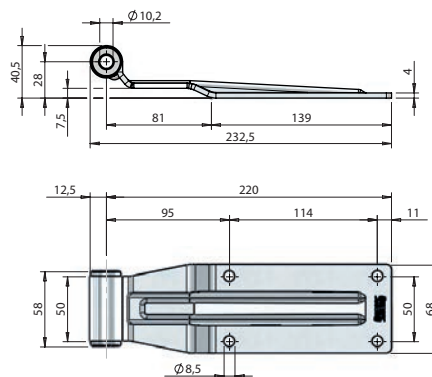
Płetwa zawiasu do tylnych drzwi dużych kontenerów chłodniczych wyposażona w pierścienie samosmarowalne. Grubość płyty max. 100 mm.  
*Heavy duty rear door hinge for large bodies, supported by self-lubricating bushes. Wall panel thickness max. 100 mm.*

| Nr katalog.<br>Reference | /Kg   | Dla<br>For                          | Zakończyć<br>Finish            |
|--------------------------|-------|-------------------------------------|--------------------------------|
| 080605190                | 1.070 | 080605210<br>080605270<br>080605311 | Stal ocynkowana<br>Zinc plated |



Płetwa zawiasu do tylnych drzwi małych i średnich kontenerów chłodniczych wyposażona w pierścienie samosmarowalne. Grubość płyty max. 100 mm.  
*Rear door hinge for small-medium bodies. Supported by self-lubricating bushes. Wall panel thickness max. 100 mm.*

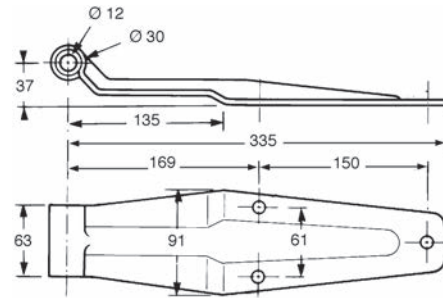
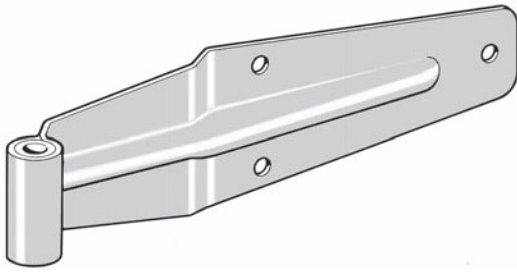
| Nr katalog.<br>Reference | /Kg   | Dla<br>For                          | Zakończyć<br>Finish            |
|--------------------------|-------|-------------------------------------|--------------------------------|
| 081105350                | 0.700 | 081105370<br>081105390<br>081105430 | Stal ocynkowana<br>Zinc plated |



Płetwa zawiasu do tylnych drzwi małych kontenerów chłodniczych wyposażona w pierścienie samosmarowalne. Grubość płyty max. 60 mm.  
*Rear door hinge for small-medium bodies. Supported by self-lubricating bushes. Wall panel thickness max. 60 mm.*

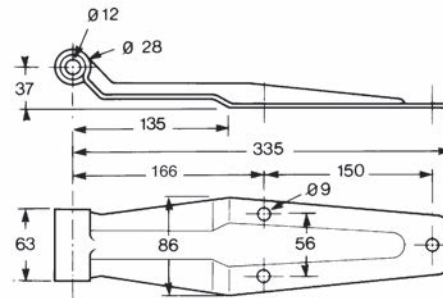
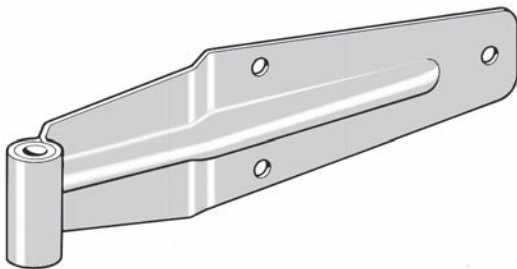
| Nr katalog.<br>Reference | /Kg   | Dla<br>For                          | Zakończyć<br>Finish            |
|--------------------------|-------|-------------------------------------|--------------------------------|
| 081605470                | 0.560 | 081605490<br>081605510<br>081605530 | Stal ocynkowana<br>Zinc plated |



**STAL MALOWANA - PAINTED STEEL**


Płetwa stalowa, 3 otwory  $\varnothing 10,5$ , pokrycie szarą farbą poliestrową, z tulejką nylonową, grubość 5 mm.  
*Steel hinge 3 holes  $\varnothing 10,5$ , with nylon bush, thickness 5 mm, polyester painted.*

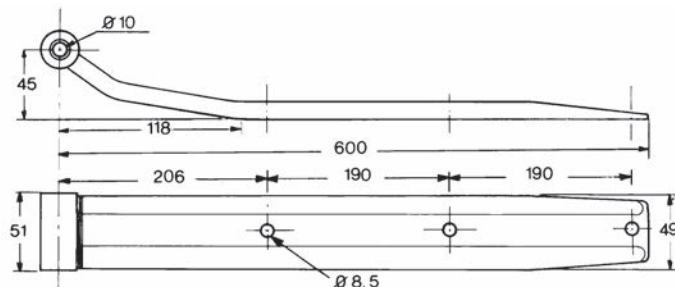
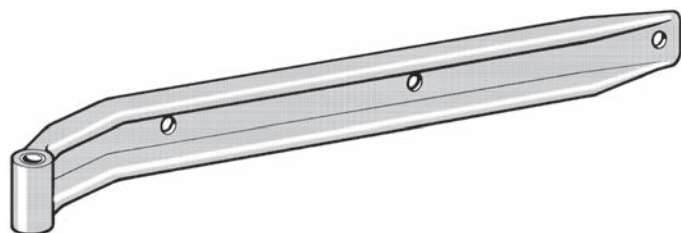
| Nr katalog.<br>Reference | $\frac{kg}{Kg}$ | Dla<br>For | Zakończyć<br>Finish |
|--------------------------|-----------------|------------|---------------------|
| 2704454                  | 1,1             | 2704441    | Stal malowana       |
|                          |                 | 2704448    | Painted steel       |
|                          |                 | 2704447    |                     |
|                          |                 | 2704423    |                     |
|                          |                 | 2704440    |                     |
| 2704454BL                | 1,1             | 2704441    | Stal malowana       |
|                          |                 | 2704448    | Painted steel       |
|                          |                 | 2704447    |                     |
|                          |                 | 2704423    |                     |
|                          |                 | 2704440    |                     |



Płetwa ze stali o wysokiej wytrzymałości o grubości 3 mm, z tulejką nylonową, pokryta szarą farbą poliestrową.  
*High strength steel hinge, with nylon bush, thickness 3 mm, polyester painted.*

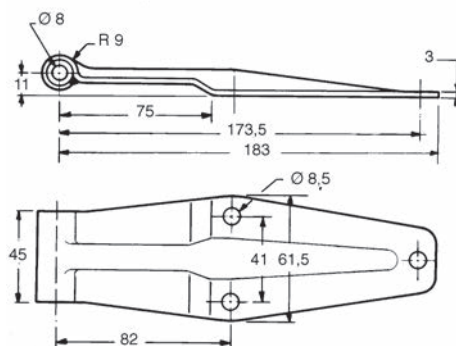
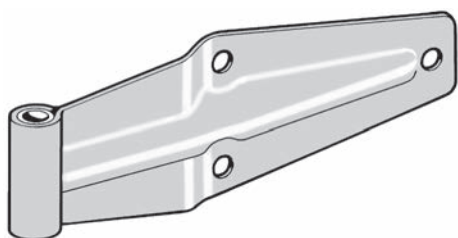
| Nr katalog.<br>Reference | $\frac{kg}{Kg}$ | Dla<br>For | Zakończyć<br>Finish            |
|--------------------------|-----------------|------------|--------------------------------|
| 2704470                  | 0,72            | 2704454    | Stal malowana<br>Painted steel |

**STAL MALOWANA - PAINTED STEEL**



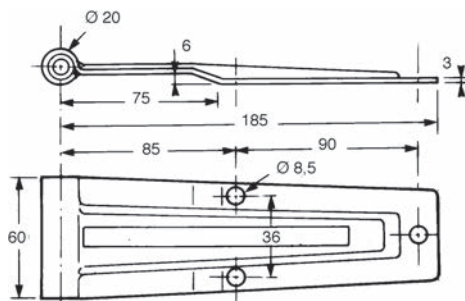
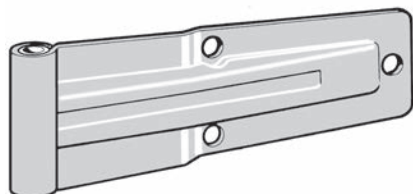
Płetwa ze stali, pokrycie szarą farbą poliestrową, z tulejką nylonową.  
*Steel hinge with nylon bush, polyester painted.*

| Nr katalog.<br>Reference | Kg   | Dla<br>For         | Zakończyć<br>Finish            |
|--------------------------|------|--------------------|--------------------------------|
| 2704450                  | 1,17 | 2704449<br>2704452 | Stal malowana<br>Painted steel |



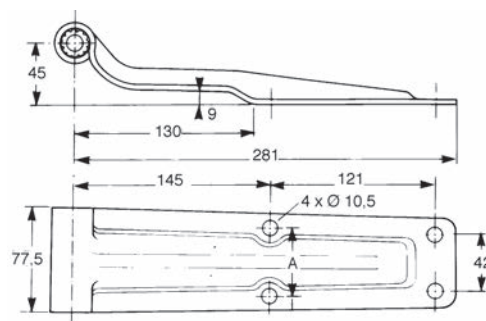
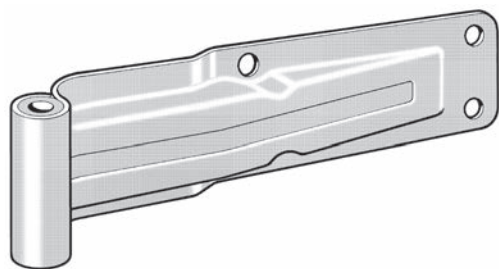
**13** Płetwa stalowa, pokrycie szarą farbą poliestrową, z tulejką nylonową.  
*Steel hinge with nylon bush, polyester painted.*

| Nr katalog.<br>Reference | Kg    | Dla<br>For | Zakończyć<br>Finish            |
|--------------------------|-------|------------|--------------------------------|
| 2704465                  | 0,255 | 2704466    | Stal malowana<br>Painted steel |



Płetwa stalowa, pokrycie szarą farbą poliestrową, z tulejką nylonową.  
*Steel hinge with nylon bush polyester painted.*

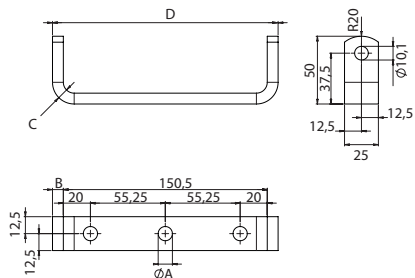
| Nr katalog.<br>Reference | Kg   | Dla<br>For | Zakończyć<br>Finish            |
|--------------------------|------|------------|--------------------------------|
| 2704471                  | 0,31 | 2704472    | Stal malowana<br>Painted steel |

**STAL MALOWANA - PAINTED STEEL**


Płetwa ze stali o wysokiej wytrzymałości, z tulejką nylonową, grubość 3 mm.  
*High strength steel hinge, with nylon bush, thickness 3 mm.*

| Nr katalog.<br>Reference |  Kg | A<br>(mm) | Grubość<br>Thickness | Dla<br>For         | Zakończyć<br>Finish            |
|--------------------------|--|-----------|----------------------|--------------------|--------------------------------|
| 2704477                  | 0,7  | 48        | 3                    | 2704479<br>2704478 | Stal malowana<br>Painted steel |

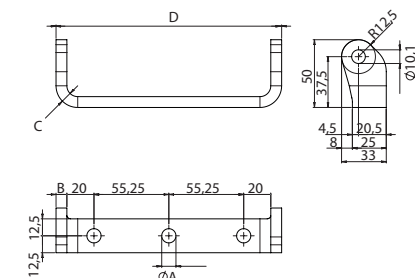
STAL NIERDZEWNA - **STAINLESS STEEL**



Wspornik HK do przyspawania i do przykręcaniaw kształcie "U".  
*Weld-on or bolt-on HK U-type bracket.*



| Nr katalog.<br>Reference | Kg   | B<br>(mm) | C<br>(mm) | D<br>(mm) | Dla<br>For                          | Otwory<br>Hole | Zakończyć<br>Finish                |
|--------------------------|------|-----------|-----------|-----------|-------------------------------------|----------------|------------------------------------|
| 084011773                | 0,36 | 8         | R16       | 166,5     | 084011762<br>084011763<br>084011464 | M10            | Stal nierdzewna<br>Stainless steel |
| 084011775                | 0,36 | 6         | R14       | 162,5     | 084011761                           | M8             | Stal nierdzewna<br>Stainless steel |

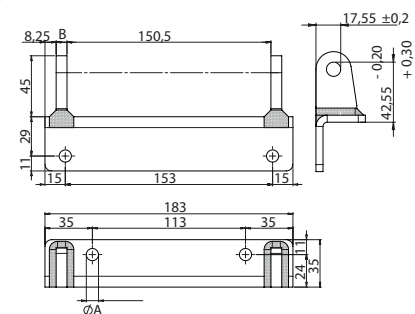


Wspornik HK do przyspawania i do przykręcaniaw.  
*Weld-on or bolt-on HK offset type bracket.*



| Nr katalog.<br>Reference | B<br>(mm) | C<br>(mm) | D<br>(mm) | Dla<br>For                          | Otwory<br>Hole | Zakończyć<br>Finish                |
|--------------------------|-----------|-----------|-----------|-------------------------------------|----------------|------------------------------------|
| 084011774                | 8         | R16       | 166,5     | 084011762<br>084011763<br>084011764 | M10            | Stal nierdzewna<br>Stainless steel |
| 084011776                | 6         | R14       | 162,5     | 084011761                           | M8             | Stal nierdzewna<br>Stainless steel |

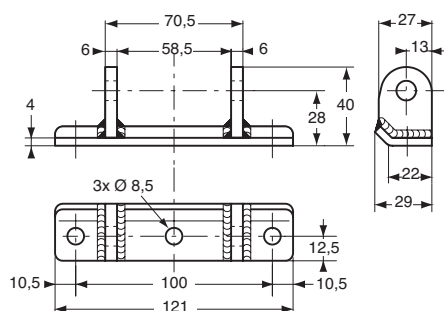
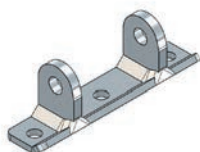
13



Wspornik trójkątny HK do przyspawania i do przykręcania.  
*Bolt-on or weld-on HK Hangular bracket.*



| Nr katalog.<br>Reference | Kg   | B<br>(mm) | D<br>(mm) | Otwory<br>Hole | Zakończyć<br>Finish                |
|--------------------------|------|-----------|-----------|----------------|------------------------------------|
| 084011772                | 0,36 | 8         | 183       | M8             | Stal nierdzewna<br>Stainless steel |

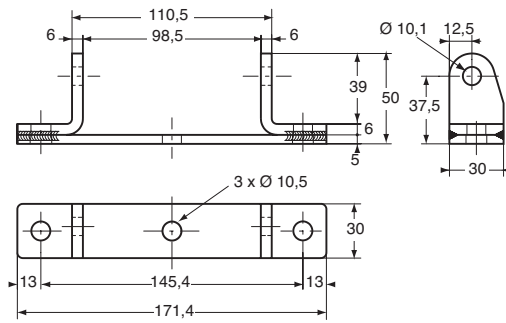
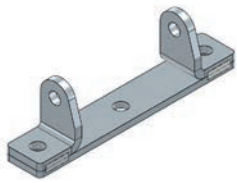


Wspornik ze stali nierdzewnej, przykręcany.  
*Stainless steel bolt-on bracket.*



| Nr katalog.<br>Reference | Kg   | Dla<br>For | Zakończyć<br>Finish                |
|--------------------------|------|------------|------------------------------------|
| 081505480                | 0,19 | 081505460  | Stal nierdzewna<br>Stainless steel |

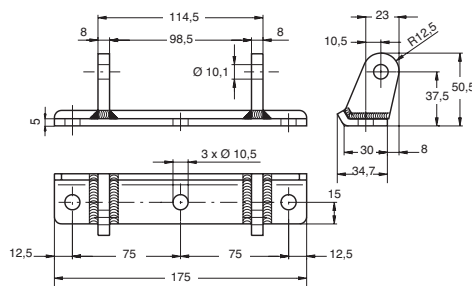
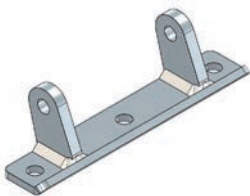
STAL NIERDZEWNA - STAINLESS STEEL



Wspornik ze stali nierdzewnej przykręcany.  
Stainless steel bolt-on bracket.



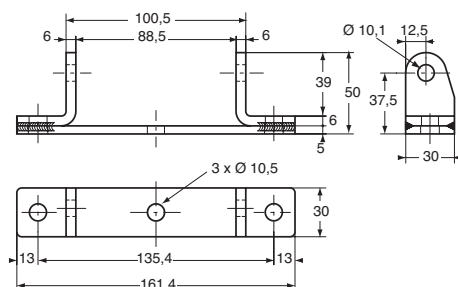
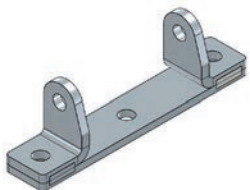
| Nr katalog.<br>Reference | $\frac{\text{Kg}}{\text{kg}}$ | Dla<br>For | Zakończyć<br>Finish                |
|--------------------------|-------------------------------|------------|------------------------------------|
| 082005740                | 0,35                          | 082005700  | Stal nierdzewna<br>Stainless steel |



Wspornik ze stali nierdzewnej przykręcany.  
Stainless steel bolt-on bracket.



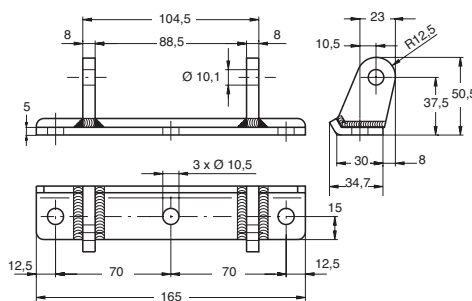
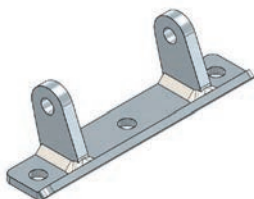
| Nr katalog.<br>Reference | $\frac{\text{Kg}}{\text{kg}}$ | Dla<br>For | Zakończyć<br>Finish                |
|--------------------------|-------------------------------|------------|------------------------------------|
| 082010207                | 0,375                         | 082005700  | Stal nierdzewna<br>Stainless steel |



Wspornik ze stali nierdzewnej, przykręcany.  
Stainless steel bolt-on bracket.



| Nr katalog.<br>Reference | $\frac{\text{Kg}}{\text{kg}}$ | Dla<br>For | Zakończyć<br>Finish                |
|--------------------------|-------------------------------|------------|------------------------------------|
| 082505750                | 0,336                         | 082505710  | Stal nierdzewna<br>Stainless steel |



Wspornik ze stali nierdzewnej, przykręcany.  
Stainless steel bolt-on bracket.

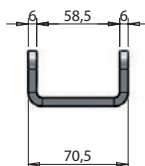
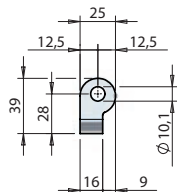
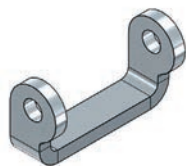


| Nr katalog.<br>Reference | $\frac{\text{Kg}}{\text{kg}}$ | Dla<br>For | Zakończyć<br>Finish                |
|--------------------------|-------------------------------|------------|------------------------------------|
| 082510209                | 0,37                          | 082505710  | Stal nierdzewna<br>Stainless steel |

13

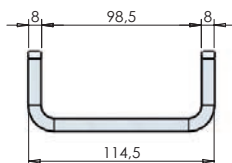
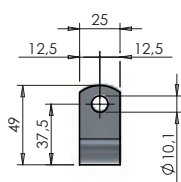
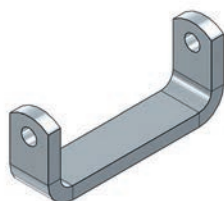
STAL NIERDZEWNA - **STAINLESS STEEL**

Wspornik ze stali nierdzewnej do przyspawania.  
*Stainless steel weld-on bracket.*



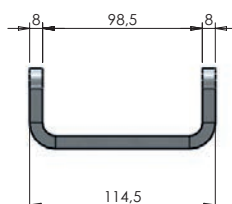
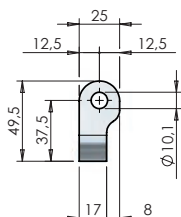
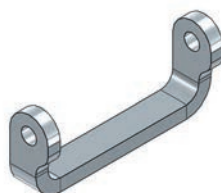
| Nr katalog.<br>Reference | $\triangle$<br>Kg | Dla<br>For | Zakończyć<br>Finish                |
|--------------------------|-------------------|------------|------------------------------------|
| 081505500                | 0,1               | 081505460  | Stal nierdzewna<br>Stainless steel |

Wspornik ze stali nierdzewnej do przyspawania.  
*Stainless steel weld-on bracket.*



| Nr katalog.<br>Reference | $\triangle$<br>Kg | Dla<br>For | Zakończyć<br>Finish                |
|--------------------------|-------------------|------------|------------------------------------|
| 082005760                | 0,28              | 082005700  | Stal nierdzewna<br>Stainless steel |

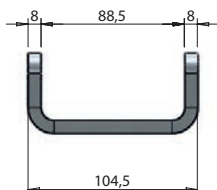
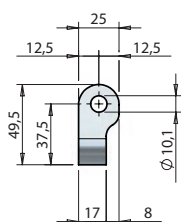
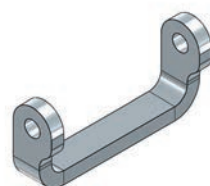
Wspornik ze stali nierdzewnej do przyspawania.  
*Stainless steel weld-on bracket.*



| Nr katalog.<br>Reference | $\triangle$<br>Kg | Dla<br>For | Zakończyć<br>Finish                |
|--------------------------|-------------------|------------|------------------------------------|
| 082010189                | 0,21              | 082005700  | Stal nierdzewna<br>Stainless steel |

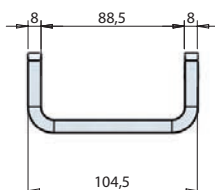
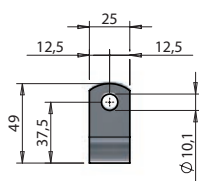
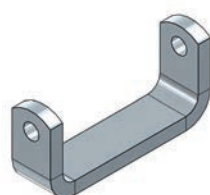
13

Wspornik ze stali nierdzewnej, do przyspawania.  
*Stainless steel weld-on bracket.*



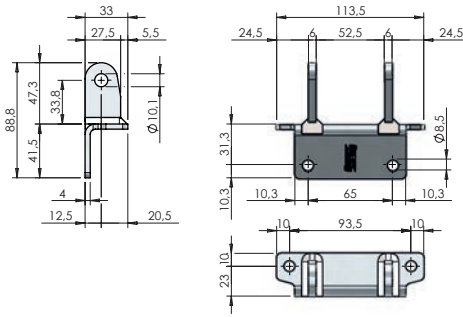
| Nr katalog.<br>Reference | $\triangle$<br>Kg | Dla<br>For | Zakończyć<br>Finish                |
|--------------------------|-------------------|------------|------------------------------------|
| 082500211                | 0,19              | 082505710  | Stal nierdzewna<br>Stainless steel |

Wspornik ze stali nierdzewnej, do przyspawania.  
*Stainless steel weld-on bracket.*



| Nr katalog.<br>Reference | $\triangle$<br>Kg | Dla<br>For | Zakończyć<br>Finish                |
|--------------------------|-------------------|------------|------------------------------------|
| 082505770                | 0,26              | 082505710  | Stal nierdzewna<br>Stainless steel |

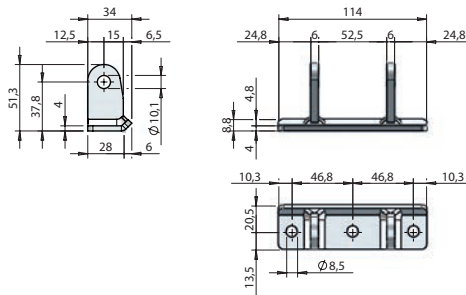
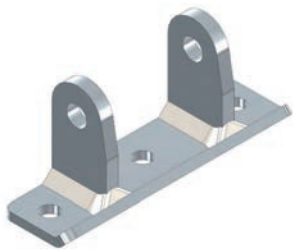
**STAL NIERDZEWNA - STAINLESS STEEL**



Wspornik trójkątny 29 mm do przykręcenia.  
*Bolt-on angular bracket 29 mm.*



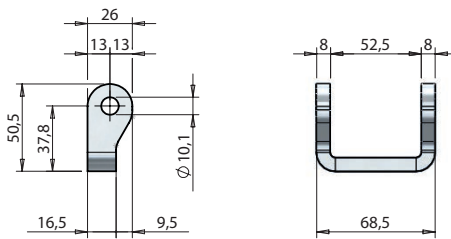
| Nr katalog.<br>Reference | $\frac{Kg}{\square}$ | Dla<br>For | Zakończyć<br>Finish                |
|--------------------------|----------------------|------------|------------------------------------|
| 081005360                | 0.300                | 081005340  | Stal nierdzewna<br>Stainless steel |



Wspornik płaski 28 mm, do przykręcenia.  
*Bolt-on flat base bracket 28 mm.*



| Nr katalog.<br>Reference | $\frac{Kg}{\square}$ | Dla<br>For | Zakończyć<br>Finish                |
|--------------------------|----------------------|------------|------------------------------------|
| 081005380                | 0.235                | 081005340  | Stal nierdzewna<br>Stainless steel |

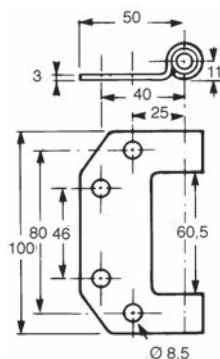


Wspornik do przyspawania w kształcie U 16 mm.  
*Weld-on U-type bracket 16 mm.*



| Nr katalog.<br>Reference | $\frac{Kg}{\square}$ | Dla<br>For | Zakończyć<br>Finish                |
|--------------------------|----------------------|------------|------------------------------------|
| 081005420                | 0.155                | 081005340  | Stal nierdzewna<br>Stainless steel |

13

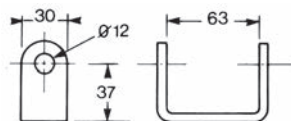
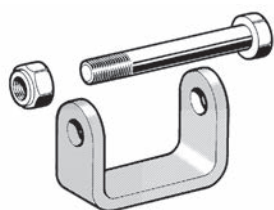


Wspornik pokryty szarą farbą poliestrową, z tulejką nylonową i cynkowanymi: trzpieniem  $\varnothing 8 \times 110$  i samohamowną nakrętką, stal nierdzewna 18/10.  
*Polished stainless steel hinge with nylon bushes, with locknut and pin  $\varnothing 8 \times 110$ .*

| Nr katalog.<br>Reference | $\frac{Kg}{\square}$ | Dla<br>For | Zakończyć<br>Finish                |
|--------------------------|----------------------|------------|------------------------------------|
| 2704474                  | 0,24                 | 2704473    | Stal nierdzewna<br>Stainless steel |

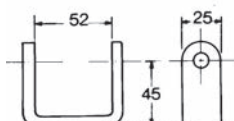
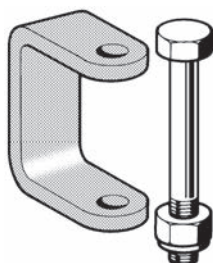


STAL CYNKOWANA - ZINC PLATED STEEL



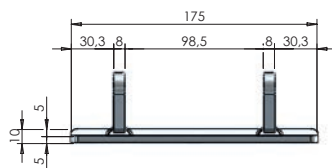
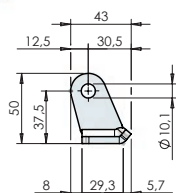
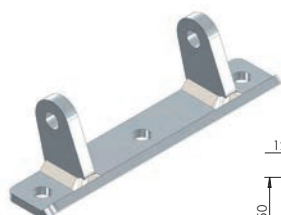
Wspornik do przyspawania, stal surowa z cynkowanymi: trzpieniem  $\varnothing 12 \times 90$  i samohamowną nakrętką.  
*Zinc plated steel hinge bracket to weld, with zinc plated locknut and  $\varnothing 12 \times 90$  pin.*

| Nr katalog.<br>Reference | $\triangle$ Kg | Dla<br>For           | Zakończyć<br>Finish            |
|--------------------------|----------------|----------------------|--------------------------------|
| 2704441                  | 0,31           | 2704454<br>2704454BL | Stal ocynkowana<br>Zinc plated |



Wspornik stalowy do przyspawania, cynkowany, z cynkowanymi: trzpieniem  $\varnothing 10 \times 80$  i samohamowną nakrętką.  
*Zinc plated steel hinge bracket weld-on, with zinc plated locknut and pin  $\varnothing 10 \times 80$ .*

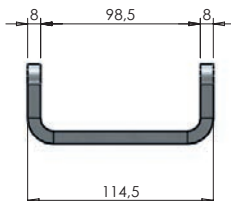
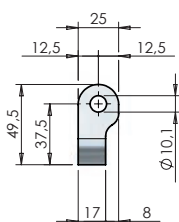
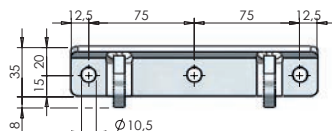
| Nr katalog.<br>Reference | $\triangle$ Kg | Dla<br>For | Zakończyć<br>Finish            |
|--------------------------|----------------|------------|--------------------------------|
| 2704452                  | 0,23           | 2704450    | Stal ocynkowana<br>Zinc plated |



Wspornik płaski 30 mm i odchylonymi błotnikami, przystosowany do umocowanych płyt  
*Bolt-on flat base bracket with offset lugs 30 mm. Suitable for radial body sides.*

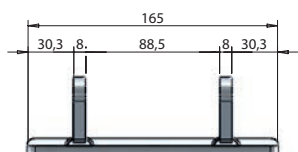
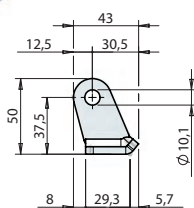
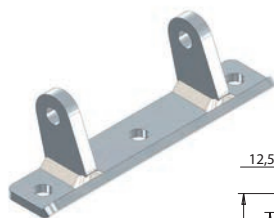
| Nr katalog.<br>Reference | $\triangle$ Kg | Dla<br>For | Zakończyć<br>Finish            |
|--------------------------|----------------|------------|--------------------------------|
| 082110437                | 0,390          | 082105701  | Stal ocynkowana<br>Zinc plated |

13



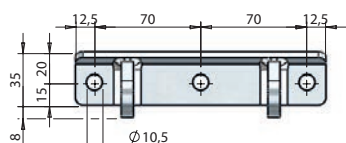
Wspornik w kształcie « U » 17 mm do przyspawania.  
*Weld-on U-type bracket 17 mm.*

| Nr katalog.<br>Reference | $\triangle$ Kg | Dla<br>For | Zakończyć<br>Finish            |
|--------------------------|----------------|------------|--------------------------------|
| 082110409                | 0,190          | 082105701  | Stal ocynkowana<br>Zinc plated |



Wspornik płaski 30 mm i odchylone błotniki przystosowane do umocowanych płyt.  
*Bolt-on flat base bracket with offset lugs 30 mm. Suitable for radial body sides.*

| Nr katalog.<br>Reference | $\triangle$ Kg | Dla<br>For | Zakończyć<br>Finish            |
|--------------------------|----------------|------------|--------------------------------|
| 082610438                | 0,375          | 082605711  | Stal ocynkowana<br>Zinc plated |





**STAL CYNKOWANA - ZINC PLATED STEEL**

Wspornik do przyspawania w kształcie U 17 mm.  
*Weld-on U-type bracket 17 mm.*

| Nr katalog.<br>Reference | $\frac{Kg}{\square}$ | Dla<br>For | Zakończyć<br>Finish            |
|--------------------------|----------------------|------------|--------------------------------|
| 082610410                | 0.180                | 082605711  | Stal ocynkowana<br>Zinc plated |

Wspornik trójkątny 36 mm do przykręcenia.  
*Bolt-on angular bracket 36 mm.*

| Nr katalog.<br>Reference | $\frac{Kg}{\square}$ | Dla<br>For | Zakończyć<br>Finish            |
|--------------------------|----------------------|------------|--------------------------------|
| 080605210                | 0.510                | 080605190  | Stal ocynkowana<br>Zinc plated |

Wspornik płaski 21 mm, do przykręcenia.  
*Bolt-on angular bracket 21 mm.*

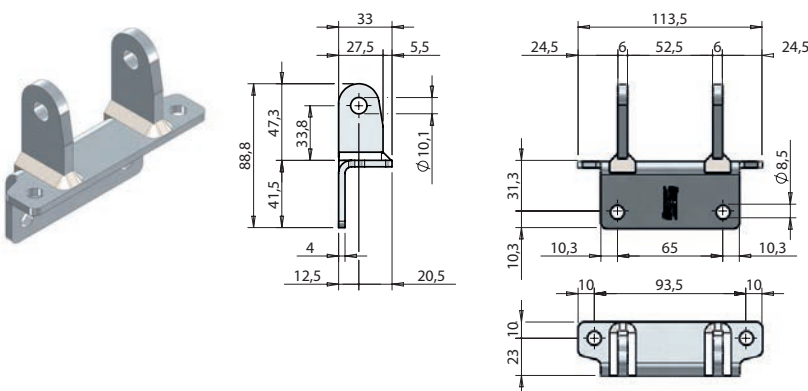
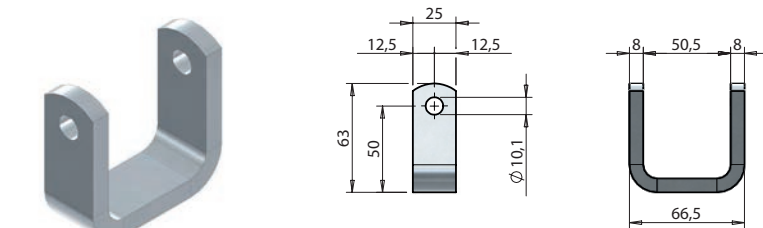
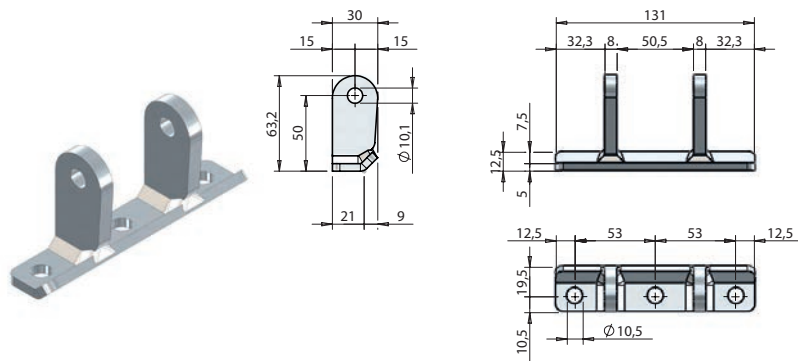
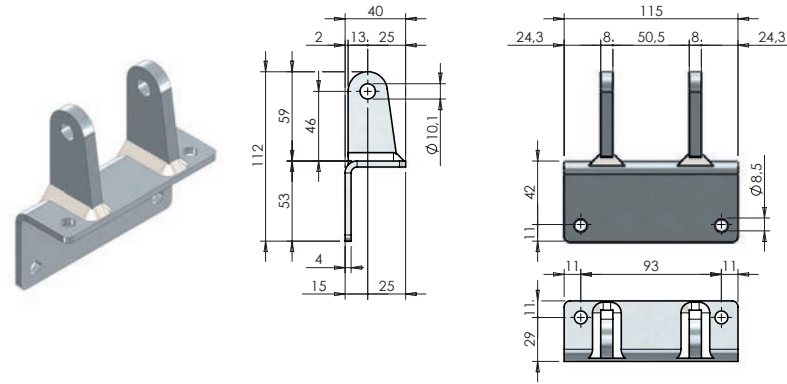
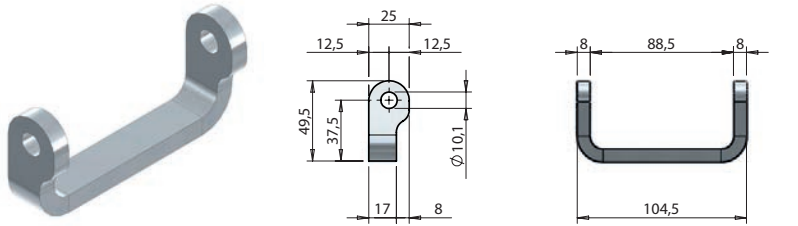
| Nr katalog.<br>Reference | $\frac{Kg}{\square}$ | Dla<br>For | Zakończyć<br>Finish            |
|--------------------------|----------------------|------------|--------------------------------|
| 080605270                | 0.340                | 080605190  | Stal ocynkowana<br>Zinc plated |

Wspornik do przyspawania w kształcie U 25 mm.  
*Weld-on U-type bracket 25 mm.*

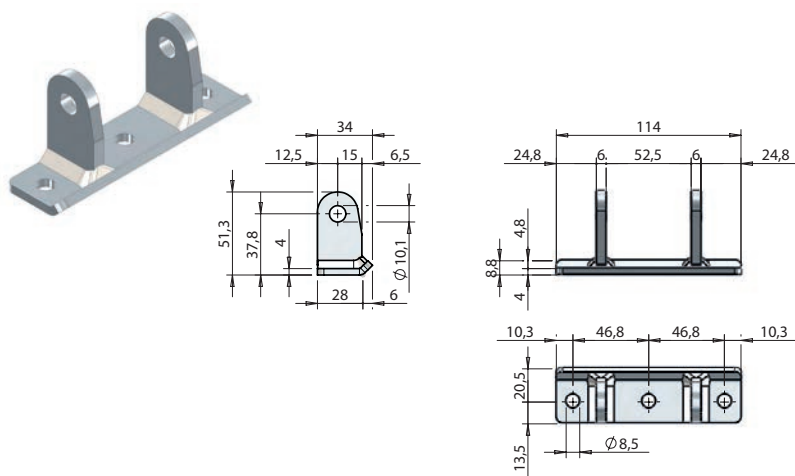
| Nr katalog.<br>Reference | $\frac{Kg}{\square}$ | Dla<br>For | Zakończyć<br>Finish            |
|--------------------------|----------------------|------------|--------------------------------|
| 080605311                | 0.250                | 080605190  | Stal ocynkowana<br>Zinc plated |

Wspornik trójkątny 29 mm do przykręcenia.  
*Bolt-on angular bracket 29 mm.*

| Nr katalog.<br>Reference | $\frac{Kg}{\square}$ | Dla<br>For | Zakończyć<br>Finish            |
|--------------------------|----------------------|------------|--------------------------------|
| 081105370                | 0.300                | 081105350  | Stal ocynkowana<br>Zinc plated |

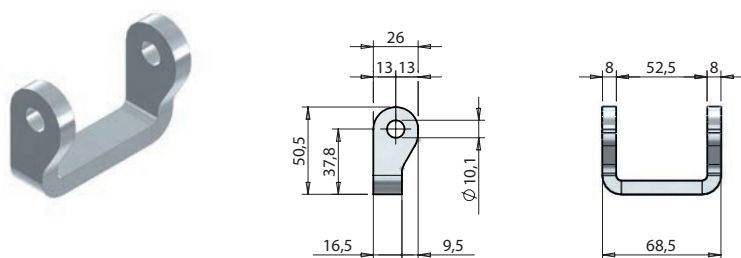


STAL CYNKOWANA - ZINC PLATED STEEL



Wspornik płaski 28 mm, do przykręcania.  
*Bolt-on flat base bracket 28 mm.*

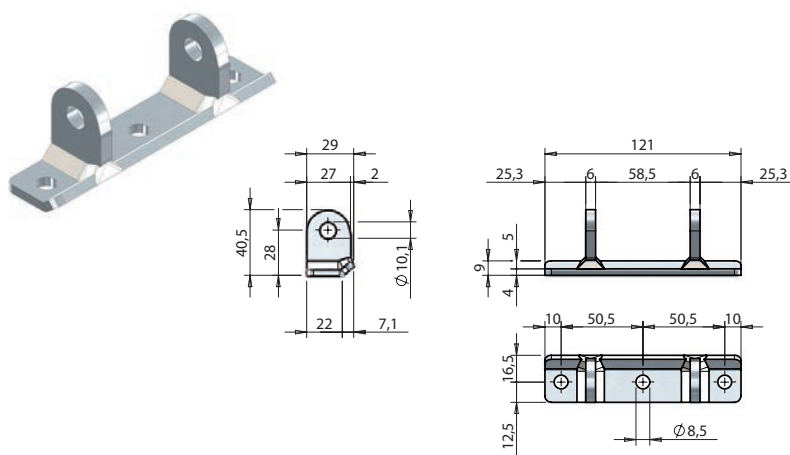
| Nr katalog.<br>Reference | $\frac{Kg}{\Delta}$ | Dla<br>For | Zakończyć<br>Finish            |
|--------------------------|---------------------|------------|--------------------------------|
| 081105390                | 0.235               | 081105350  | Stal ocynkowana<br>Zinc plated |



Wspornik do przyspawania w kształcie U 16 mm.  
*Weld-on U-type bracket 16 mm.*

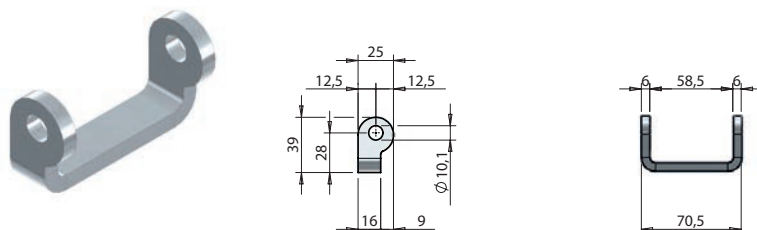
| Nr katalog.<br>Reference | $\frac{Kg}{\Delta}$ | Dla<br>For | Zakończyć<br>Finish            |
|--------------------------|---------------------|------------|--------------------------------|
| 081105430                | 0.155               | 081105350  | Stal ocynkowana<br>Zinc plated |

13



Wspornik płaski 22 mm, do przykręcania.  
*Bolt-on flat base bracket 22 mm.*

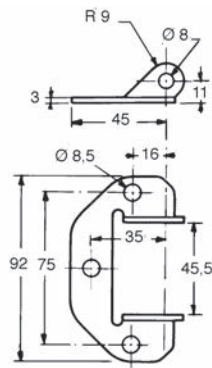
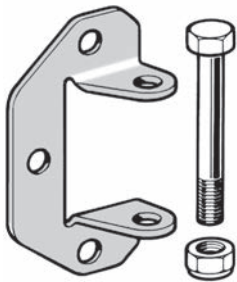
| Nr katalog.<br>Reference | $\frac{Kg}{\Delta}$ | Zakończyć<br>Finish            |
|--------------------------|---------------------|--------------------------------|
| 081605490                | 0.190               | Stal ocynkowana<br>Zinc plated |



Wspornik do przyspawania w kształcie U 16 mm.  
*Weld-on U-type bracket 16 mm.*

| Nr katalog.<br>Reference | $\frac{Kg}{\Delta}$ | Zakończyć<br>Finish            |
|--------------------------|---------------------|--------------------------------|
| 081605510                | 0.100               | Stal ocynkowana<br>Zinc plated |

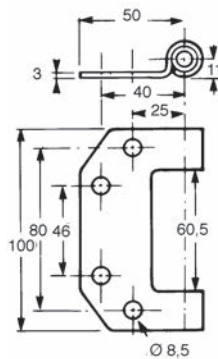
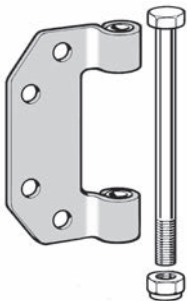
**STAL MALOWANA - PAINTED STEEL**



Wspornik stalowy, pokrycie szarą farbą poliesterową, z cynkowanymi: trzpieniem Ø 8 x 65 i samohamowną nakrętką.

*Steel hinge bracket, grey polyester painted, with zinc plated steel locknut and pin Ø 8 x 65.*

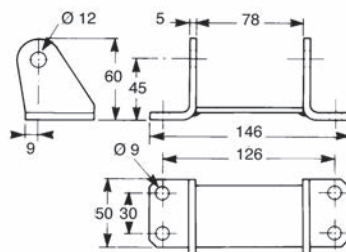
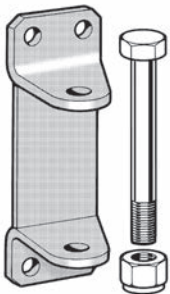
|                          |       |
|--------------------------|-------|
| Nr katalog.<br>Reference |       |
| 2704466                  | 0,098 |



Wspornik stalowy, pokryty szarą farbą poliesterową, z tulejką nylonową i cynkowanymi: trzpieniem Ø 8 x 110 i samohamowną nakrętką.

*Steel hinge, grey polyester painted, with nylon bush, zinc plated steel locknut and pin Ø 8 x 110.*

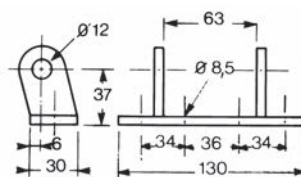
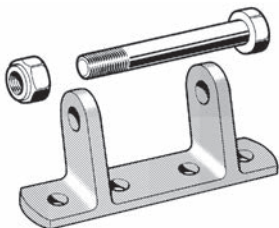
|                          |      |
|--------------------------|------|
| Nr katalog.<br>Reference |      |
| 2704472                  | 0,24 |



Wspornik stalowy pokryty szara farbą poliesterową, z trzpieniem Ø 12 x 100 i nakrętką samohamowną cynkowane.

*Steel hinge bracket, grey polyester painted, with zinc plated steel locknut and pin Ø 12 x 100.*

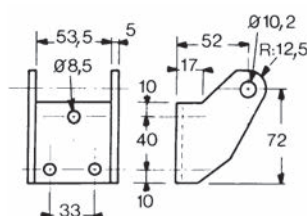
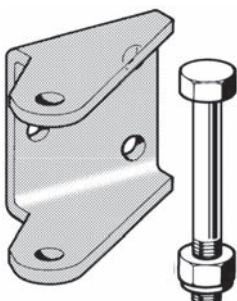
|                          |      |
|--------------------------|------|
| Nr katalog.<br>Reference |      |
| 2704478                  | 0,46 |



Wspornik stalowy, pokrycie szarą farbą poliesterową, z cynkowanymi: trzpieniem Ø 12 x 100 i samohamowną nakrętką.

*Steel hinge bracket, grey polyester painted, with zinc plated steel locknut and pin Ø 12 x 100.*

|                          |       |
|--------------------------|-------|
| Nr katalog.<br>Reference |       |
| 2704423                  | 0,435 |

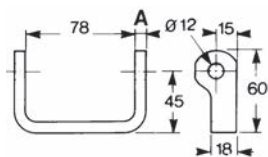
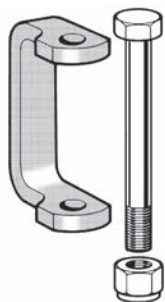


Wspornik stalowy malowany szarą farbą poliesterową, z cynkowanymi: trzpieniem Ø 10 x 75 i samohamowną nakrętką.

*Hinge bracket, grey polyester painted steel, with zinc plated locknut and pin Ø 10 x 75.*

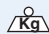
|                          |       |
|--------------------------|-------|
| Nr katalog.<br>Reference |       |
| 2704449                  | 0,635 |

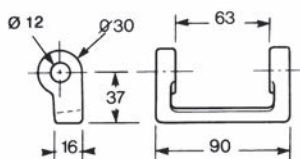
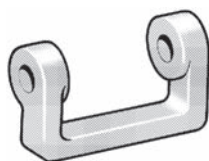
STAL SUROWA - SELF COLOUR STEEL



Wspornik ze stali surowej grubości  $A = 8$  do przyspawania z ocynkowanymi: trzpieniem  $\text{Ø} 12 \times 110$  i nakrętką samohamowną.

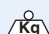
*Self colour steel hinge bracket weld-on,  $A = 8$  th., with zinc plated locknut and pin  $\text{Ø} 12 \times 110$ .*

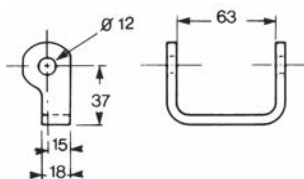
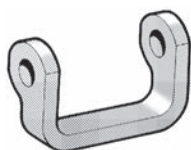
|                          |   |
|--------------------------|---|
| Nr katalog.<br>Reference |  |
| 2704479                  | 0,32  |



Wspornik wąski do przyspawania, stal surowa z cynkowanymi: trzpieniem  $\text{Ø} 12 \times 110$  i samohamowną nakrętką.


*Narrow hinge bracket to weld, self colour steel, with zinc plated locknut and  $\text{Ø} 12 \times 110$  pin.*

|                          |   |
|--------------------------|---|
| Nr katalog.<br>Reference |  |
| 2704447                  | 0,35  |

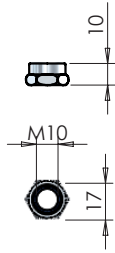


Wspornik wąski do przyspawania, stal surowa z cynkowanymi: trzpieniem  $\text{Ø} 12 \times 100$  i samohamowną nakrętką.

*Narrow hinge bracket to weld, self colour steel, with zinc plated locknut and  $\text{Ø} 12 \times 100$  pin.*

|                          |   |
|--------------------------|---|
| Nr katalog.<br>Reference |  |
| 2704448                  | 0,3   |

**STAL NIERDZEWNA - STAINLESS STEEL**



Nakrętka samohamowna HM10, stal nierdzewna.  
*Stainless steel lock nut HM10.*

| Nr katalog.<br>Reference | Dla<br>For                                       | Typ<br>Type | Zakończyć<br>Finish                |
|--------------------------|--|-------------|------------------------------------|
| 082005792                | 082005700<br>082011077<br>082505710<br>084011765 | HM10        | Stal nierdzewna<br>Stainless steel |

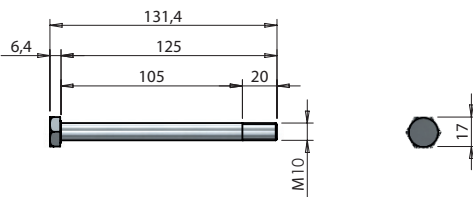


Śruba ze stali nierdzewnej HK.  
*Hexagonal head hinge pin HK.*

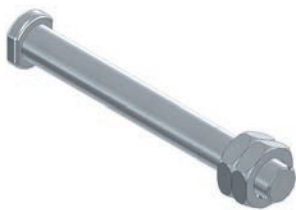
| Nr katalog.<br>Reference | Dla<br>For                                       | Typ<br>Type | Zakończyć<br>Finish                |
|--------------------------|--|-------------|------------------------------------|
| 084011765                | 084011761<br>084011762<br>084011763<br>084011764 | HM10-180    | Stal nierdzewna<br>Stainless steel |



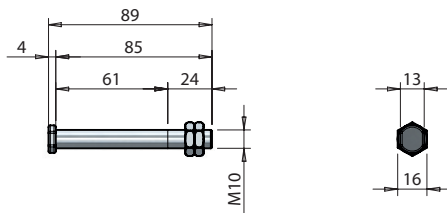
Śruba ze stali nierdzewnej.  
*Hexagonal head hinge pin.*



| Nr katalog.<br>Reference | Dla<br>For             | Typ<br>Type | Zakończyć<br>Finish                |
|--------------------------|------------------------|-------------|------------------------------------|
| 082005780                | 082005700<br>082011077 | HM10-125    | Stal nierdzewna<br>Stainless steel |
| 082505790                | 082505710              | HM10-115    | Stal nierdzewna<br>Stainless steel |
| 5403007GR                | 5763010                | HM10-90     | Stal nierdzewna<br>Stainless steel |
| 5403007GV                | 5763010                | HM10-130    | Stal nierdzewna<br>Stainless steel |
| 5403007GW                | 5763010                | HM10-140    | Stal nierdzewna<br>Stainless steel |



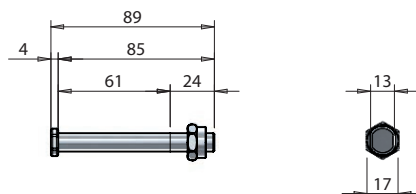
Sworzeń rotacyjny, nakrętka i przeciwnakrętka M10 x 85.  
*Flat head hinge pin complete with nut and counter-nut  
M10 x 85 fine thread.*



| Nr katalog.<br>Reference | $\frac{\text{kg}}{\text{kg}}$ | Dla<br>For                          | Zakończyć<br>Finish                |
|--------------------------|-------------------------------|-------------------------------------|------------------------------------|
| 081505520                | 0.068                         | 081505460<br>081005340<br>080505180 | Stal nierdzewna<br>Stainless steel |

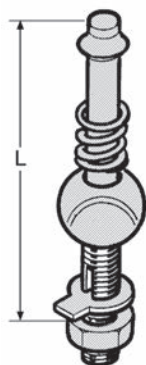


Sworzeń rotacyjny, nakrętka blokująca M10 x 85.  
*Flat head hinge pin complete with self-locking nut M10 x 85,  
fine thread.*



| Nr katalog.<br>Reference | $\frac{\text{kg}}{\text{kg}}$ | Dla<br>For                          | Zakończyć<br>Finish                |
|--------------------------|-------------------------------|-------------------------------------|------------------------------------|
| 081505521                | 0.080                         | 081505460<br>081005340<br>080505180 | Stal nierdzewna<br>Stainless steel |

STAL - STEEL



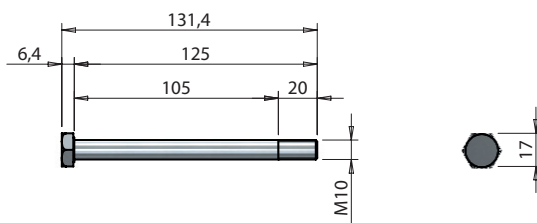
Oś zawiasu z przegubem kulistym.  
*Hinge pin only for Knuckle hinge.*

| Nr katalog.<br>Reference | $\Delta$<br>Kg | L<br>(mm) |
|--------------------------|----------------|-----------|
| 2603804M                 | 0,049          | 80        |
| 2603804L                 | 0,049          | 70        |



Sworzeń gwintowany z łbem sześciokątnym M10 x 125.  
*Hexagonal head hinge pin.*

| Nr katalog.<br>Reference | $\Delta$<br>Kg | Dla<br>For | Zakończyć<br>Finish            |
|--------------------------|----------------|------------|--------------------------------|
| 082105781                | 0,085          | 082105701  | Stal ocynkowana<br>Zinc plated |
| 082605791                | 0,080          | 082605711  | Stal ocynkowana<br>Zinc plated |

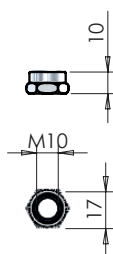


13



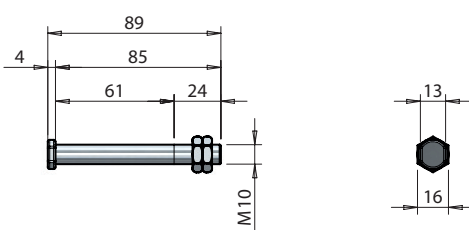
Nakrętka M10 samohamowna.  
*Self-locking nut M10.*

| Nr katalog.<br>Reference | $\Delta$<br>Kg | Dla<br>For             | Zakończyć<br>Finish            |
|--------------------------|----------------|------------------------|--------------------------------|
| 082105793                | 0,012          | 082105701<br>082605711 | Stal ocynkowana<br>Zinc plated |

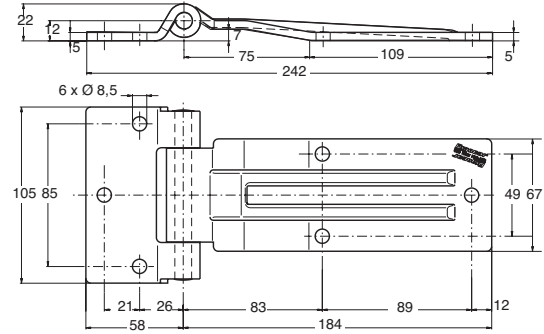
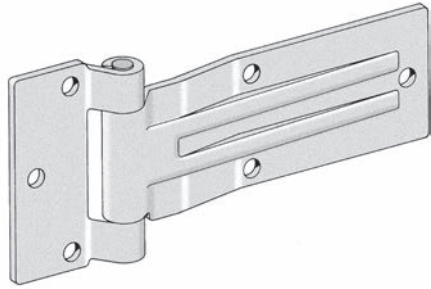


Sworzeń rotacyjny, nakrętka i przeciwnakrętka M10 x 85.  
*Flat head hinge pin complete with nut and counter-nut  
M10 x 85 fine thread.*

| Nr katalog.<br>Reference | $\Delta$<br>Kg | Zakończyć<br>Finish            |
|--------------------------|----------------|--------------------------------|
| 081605530                | 0,068          | Stal ocynkowana<br>Zinc plated |



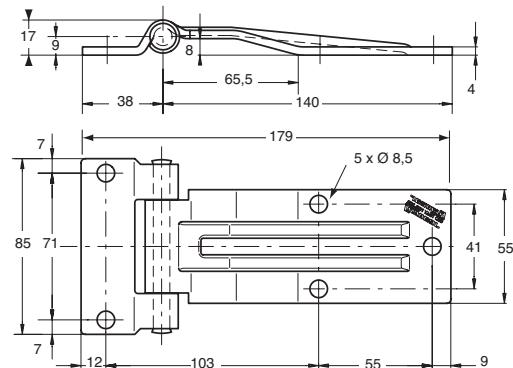
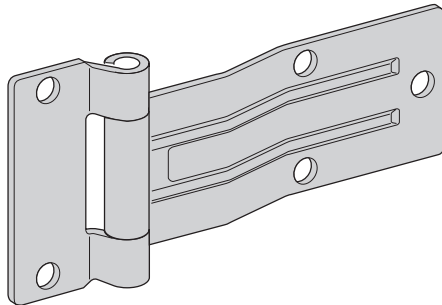
**STAL NIERDZEWNA - STAINLESS STEEL**



Zawiasy ze stali nierdzewnej, polerowane.  
*Polished stainless steel hinges.*



| Nr katalog.<br>Reference | Kg   |
|--------------------------|------|
| 10050613A                | 0,88 |

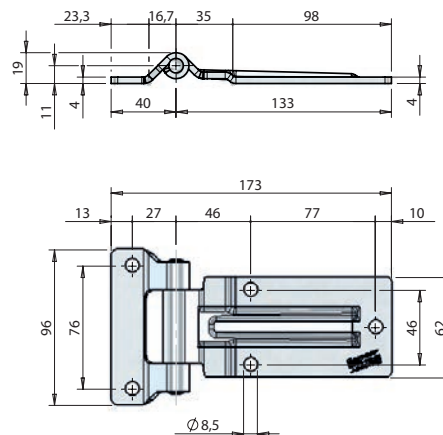
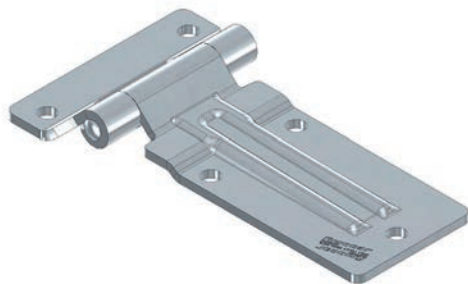


Zawiasy ze stali nierdzewnej, polerowane.  
*Polished stainless steel hinges.*



**13**

| Nr katalog.<br>Reference | Kg    |
|--------------------------|-------|
| 100506290                | 0,425 |



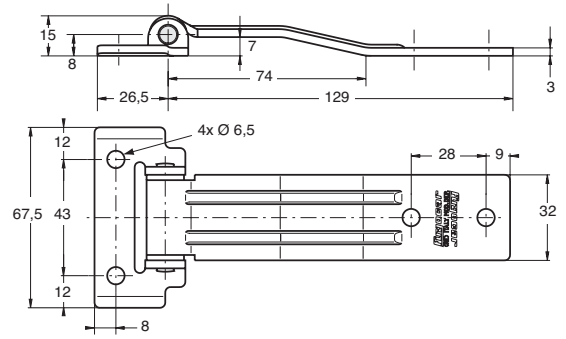
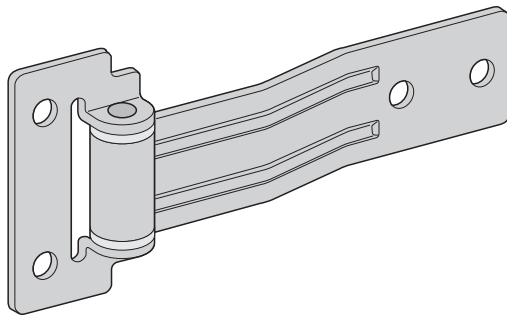
Zawiasy ze stali nierdzewnej, polerowane.  
*Polished stainless steel hinges.*



| Nr katalog.<br>Reference | Kg   |
|--------------------------|------|
| 100510188                | 0,44 |



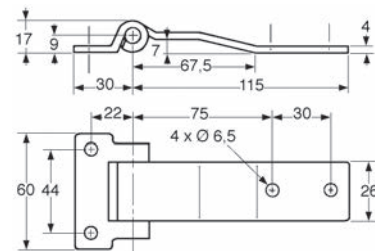
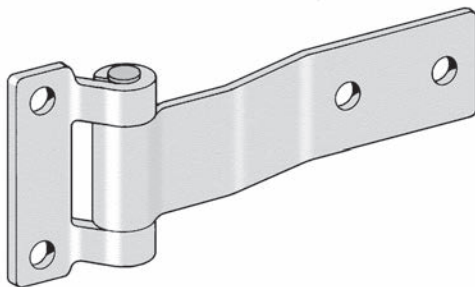
**STAL NIERDZEWNA - STAINLESS STEEL**



Zawiasy ze stali nierdzewnej, polerowane.  
*Polished stainless steel hinges.*



| Nr katalog.<br>Reference | Kg   |
|--------------------------|------|
| 102006150                | 0,16 |

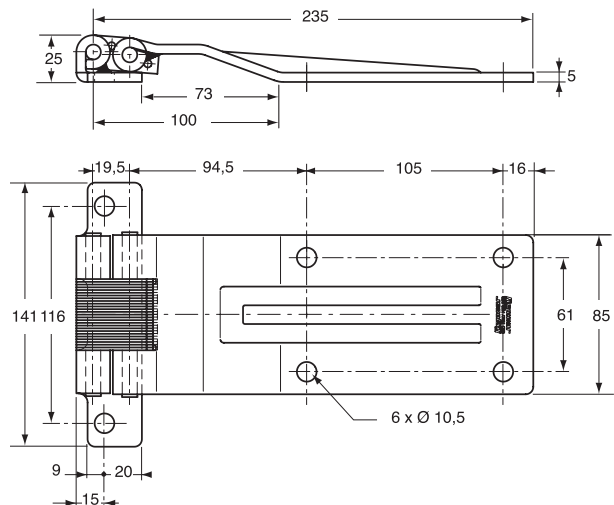
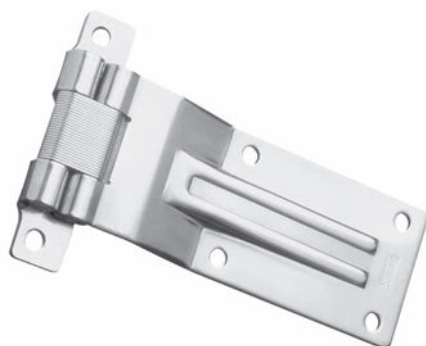


Zawiasy ze stali nierdzewnej, polerowane.  
*Polished stainless steel hinges.*



13

| Nr katalog.<br>Reference | Kg  |
|--------------------------|-----|
| 102006310                | 0,2 |



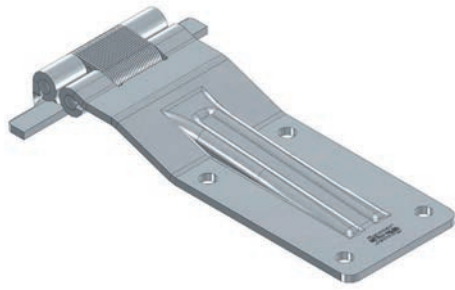
Zawias ze stali nierdzewnej, przykręcany.  
*Stainless steel hinge.*



| Nr katalog.<br>Reference | Kg    |
|--------------------------|-------|
| 083005440                | 1,265 |

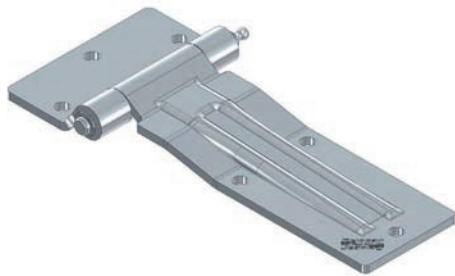
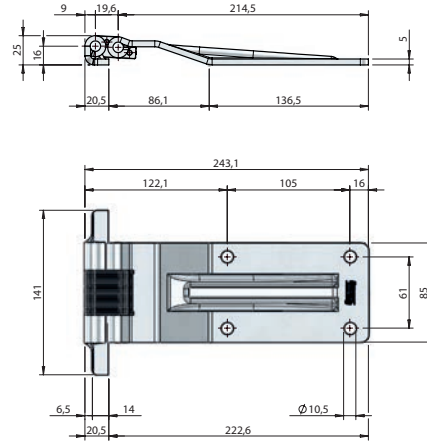


### STAL NIERDZEWNA - STAINLESS STEEL



Zawias cynkowany, część środkowa i trzpień ze stali nierdzewnej.  
Zinc plated bold-on hinge, with stainless steel pins and central part.

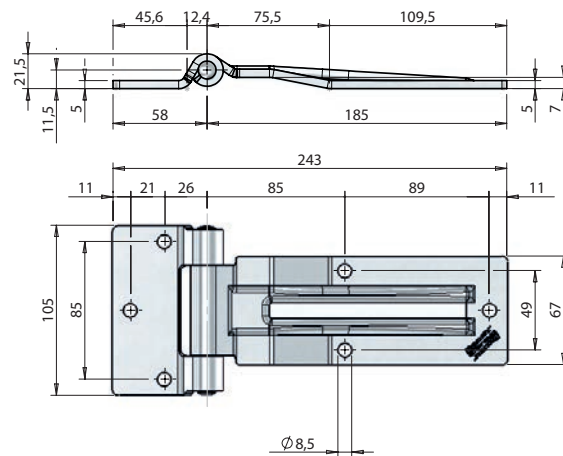
| Nr katalog.<br>Reference | Kg    |
|--------------------------|-------|
| 083005450                | 1,165 |



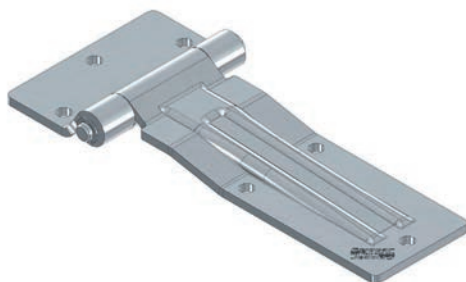
Zawias boczny niezwykle trwały z uszczelką o grubości 7 mm max., do drzwi o dużych wymiarach.  
Model rozbieralny ze smarowniczką.

Heavy duty side hinge for large doors. Designed for over-seal application up to thickness 7 mm. Version with lubricating pin, removable.

| Nr katalog.<br>Reference | Kg    | Zakończyć<br>Finish                |
|--------------------------|-------|------------------------------------|
| 100506130                | 0.885 | Stal nierdzewna<br>Stainless steel |



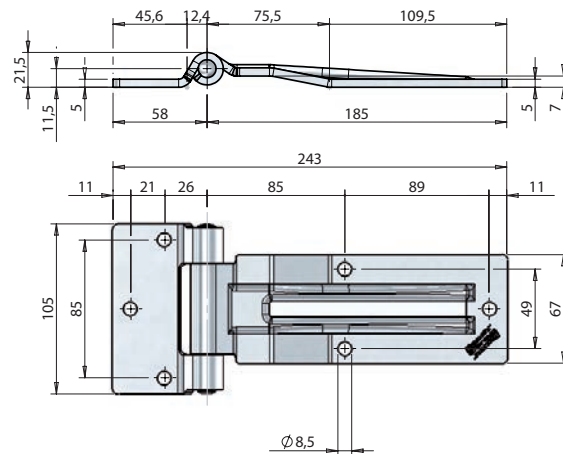
13



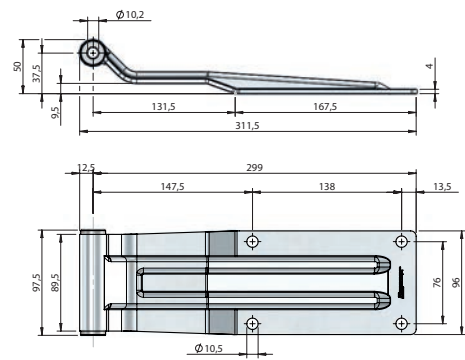
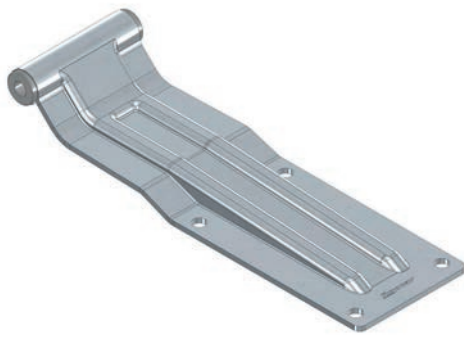
Zawias boczny niezwykle trwały z uszczelką o grubości 7 mm max., do drzwi o dużych wymiarach.  
Model rozbieralny bez smarowniczeki.

Heavy duty side hinges for large doors. Designed for over-seal application up to thickness 7 mm. Version with removable pin, without grease nipple.

| Nr katalog.<br>Reference | Kg    | Zakończyć<br>Finish                |
|--------------------------|-------|------------------------------------|
| 10050613B                | 0.885 | Stal nierdzewna<br>Stainless steel |

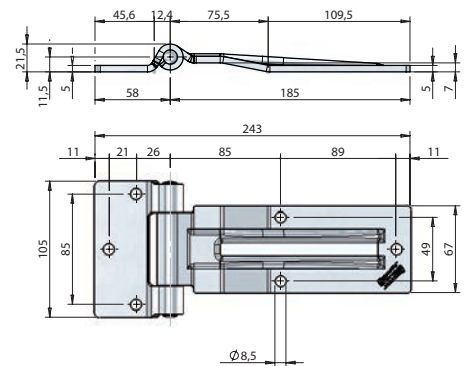
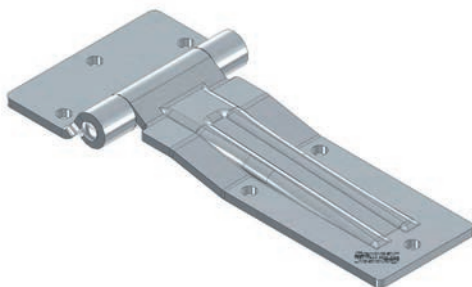


**STAL CYNKOWANA - ZINC PLATED STEEL**



Płetwa zawiasu do tylnych drzwi dużych kontenerów chłodniczych wyposażonych w pierścienie samosmarowalne Grubość płyty max. 100 mm.  
*Heavy duty rear door hinge, for large bodies. Supported by self-lubricating bushes. Wall panel thickness max. 100 mm.*

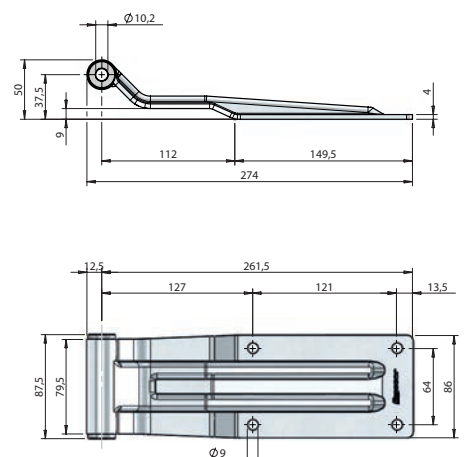
| Nr katalog.<br>Reference | $\frac{Kg}{\Delta}$ | Dla<br>For                                       | Zakończyć<br>Finish            |
|--------------------------|---------------------|--|--------------------------------|
| 082105701                | 1.120               | 082110437<br>082110409<br>082105781<br>082105793 | Stal ocynkowana<br>Zinc plated |



13

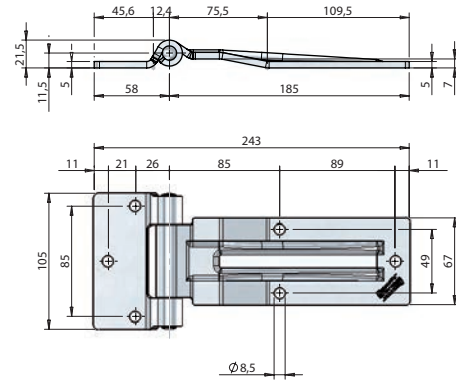
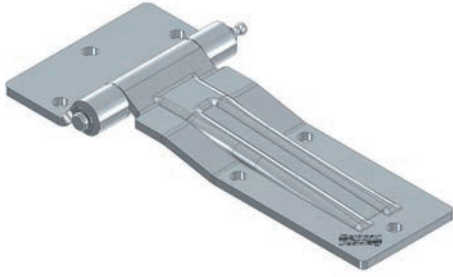
Zawias boczny niezwykle trwały z uszczelką o grubości 7 mm max., do drzwi o dużych wymiarach.  
*Heavy duty side hinge for large doors. Designed for over-seal application up to thickness 7 mm.*

| Nr katalog.<br>Reference | $\frac{Kg}{\Delta}$ | Zakończyć<br>Finish            |
|--------------------------|---------------------|--------------------------------|
| 10090614A                | 0.874               | Stal ocynkowana<br>Zinc plated |



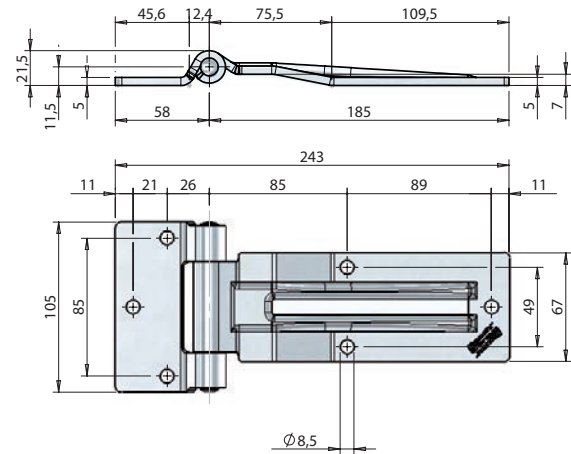
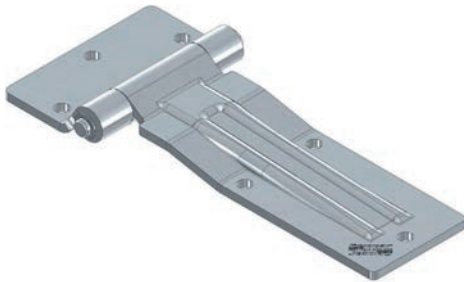
Płetwa Wspornik do tylnych drzwi dużych i średnich kontenerów chłodniczych wyposażona w pierścienie samosmarowalne. Grubość płyt max. 80 mm.  
*Heavy duty rear door hinge for medium-large bodies. Supported by self-lubricating bushes. Wall panel thickness max. 80 mm.*

| Nr katalog.<br>Reference | $\frac{Kg}{\Delta}$ | Dla<br>For                                       | Zakończyć<br>Finish            |
|--------------------------|---------------------|--|--------------------------------|
| 082605711                | 0.910               | 082510209<br>082610410<br>082605791<br>082105793 | Stal ocynkowana<br>Zinc plated |

**STAL CYNKOWANA - ZINC PLATED STEEL**


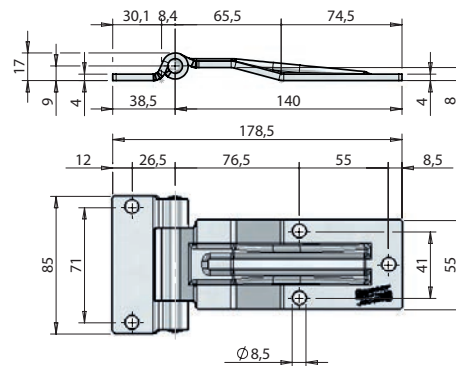
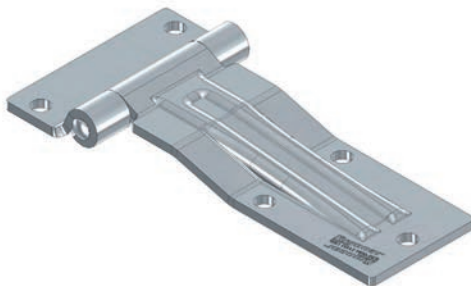
Zawias boczny niezwykle trwały z uszczelką o grubości 7 mm max., do drzwi o dużych wymiarach. Model rozbieralny mm ze smarowniczką. Sworzeń rotacyjny ze stali nierdzewnej.  
*Heavy duty side hinge for large doors. Designed for over-seal application up to thickness 7 mm. Version with lubricating pin, removable. With stainless steel hinge pin.*

| Nr katalog.<br>Reference | $\frac{\text{Kg}}{\text{kg}}$ | Zakończyć<br>Finish            |
|--------------------------|-------------------------------|--------------------------------|
| 100906140                | 0.870                         | Stal ocynkowana<br>Zinc plated |



Zawias boczny niezwykle trwały z uszczelką o grubości 7 mm max., do drzwi o dużych wymiarach. Model rozbieralny bez smarownicy. Sworzeń rotacyjny ze stali nierdzewnej.  
*Heavy duty side hinges for large doors. Designed for over-seal application up to thickness 7 mm clearance. Version with removable pin, without grease nipple. With stainless steel hinge pin.*

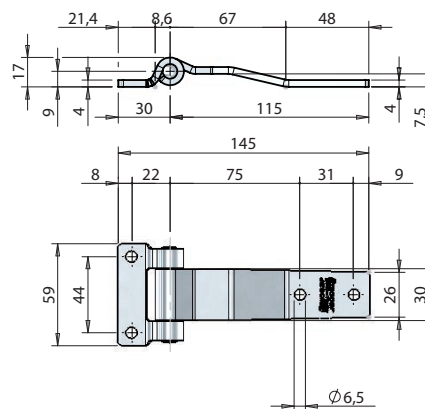
| Nr katalog.<br>Reference | $\frac{\text{Kg}}{\text{kg}}$ | Zakończyć<br>Finish            |
|--------------------------|-------------------------------|--------------------------------|
| 10090614B                | 0.885                         | Stal ocynkowana<br>Zinc plated |



Zawias boczny do drzwi o średnich wymiarach z przelotem uszczelek 7 mm max. Sworzeń rotacyjny ze stali nierdzewnej.  
*Heavy duty side door hinge for large doors. Designed for over-seal applications up to thickness 7 mm. Clearance. With stainless steel hinge pin.*

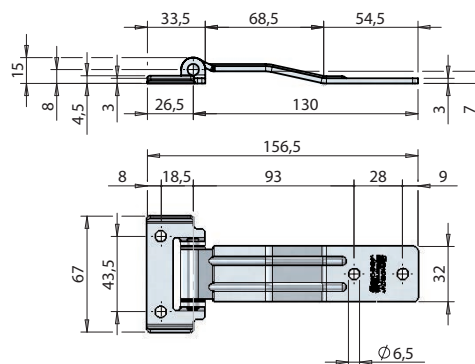
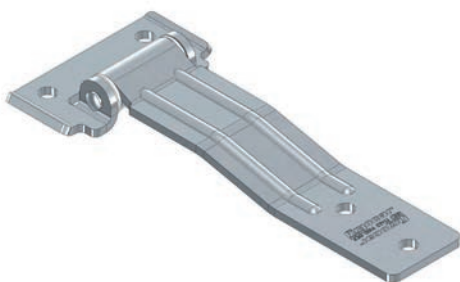
| Nr katalog.<br>Reference | $\frac{\text{Kg}}{\text{kg}}$ | Zakończyć<br>Finish            |
|--------------------------|-------------------------------|--------------------------------|
| 100906300                | 0.414                         | Stal ocynkowana<br>Zinc plated |

STAL CYNKOWANA - ZINC PLATED STEEL



Zawias boczny do drzwi o małych wymiarach, z przelotem uszczelki lub profili do 7 mm. Sworzeń rotacyjny ze stali nierdzewnej.  
*Hinge, for light duty applications but very robust; designed for over-seal application up to thickness 7 mm. With stainless steel hinge pin.*

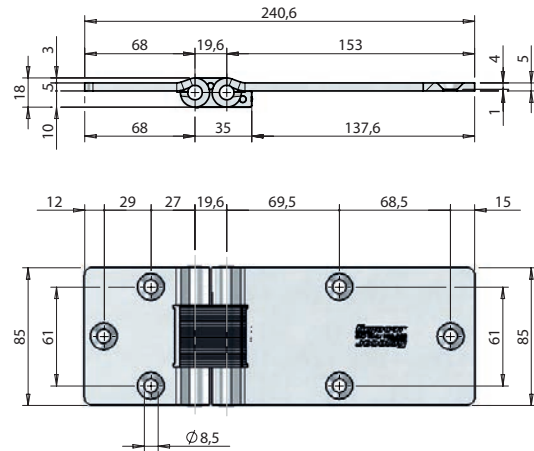
| Nr katalog.<br>Reference | $\frac{\text{g}}{\text{kg}}$ | Zakończyć<br>Finish            |
|--------------------------|------------------------------|--------------------------------|
| 102006320                | 0.205                        | Stal ocynkowana<br>Zinc plated |



Mały zawias do zastosowań lekkich, z przelotem uszczelki o grubości max 7 mm. Sworzeń rotacyjny ze stali nierdzewnej.  
*Small side hinge for small doors. Designed for over-seal applications up to 7 mm thickness. With stainless steel hinge pin.*

| Nr katalog.<br>Reference | $\frac{\text{g}}{\text{kg}}$ | Zakończyć<br>Finish            |
|--------------------------|------------------------------|--------------------------------|
| 102006160                | 0.160                        | Stal ocynkowana<br>Zinc plated |

STAL NIERDZEWNA - *STAINLESS STEEL*

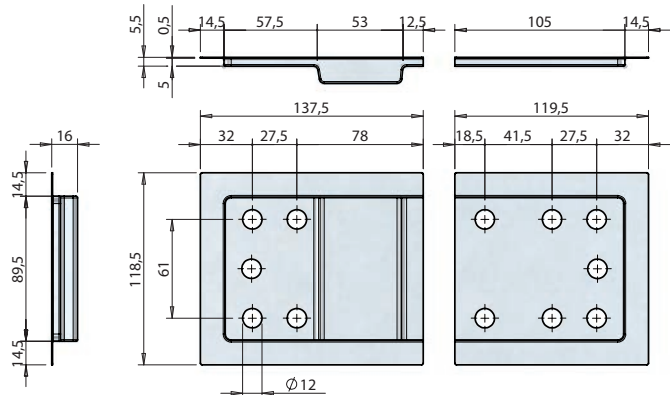
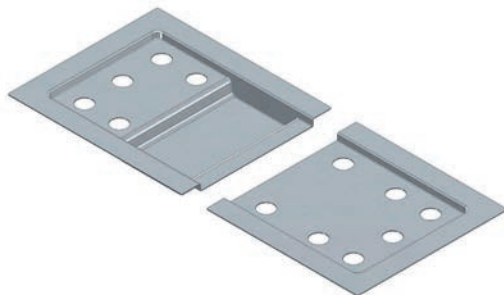


Zawias dwuprzegubowy, do wpuszczenia do drzwi bocznych izotermicznych. Pozwala na doskonałą szczelność bez mostka cieplnego. Posiada zezwolenie urzędu celnego, dzięki osiom nie rozłącznym.

*Double knuckle recessed hinge for insulated vehicles. Excellent sealing, no thermal seepage. Non removable pins for customs security.*



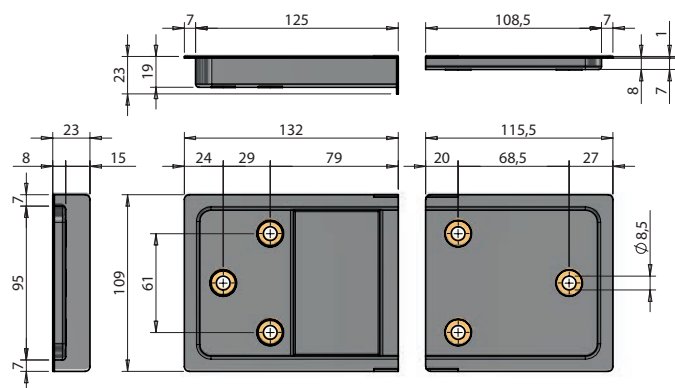
| Nr katalog.<br>Reference | $\frac{Kg}{\Delta}$ | Zakończyć<br>Finish                |
|--------------------------|---------------------|------------------------------------|
| 100506120                | 1.038               | Stal nierdzewna<br>Stainless steel |



Para miseczek dla doskonałego wykończenia wnętrza.  
*Set of backplates to recess the hinge.*



| Nr katalog.<br>Reference | $\frac{Kg}{\Delta}$ | Zakończyć<br>Finish                |
|--------------------------|---------------------|------------------------------------|
| 100506270                | 0.120               | Stal nierdzewna<br>Stainless steel |

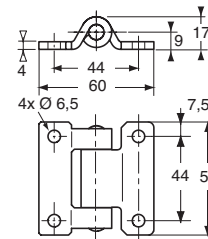
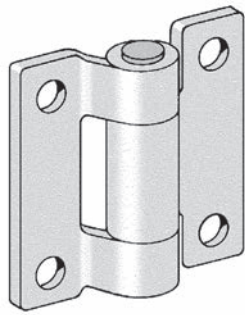


Para plastikowych miseczek z mosiężnymi tulejkami, dla doskonałego wykończenia wnętrza formy.  
*Set of backplates with brass bushes to recess the hinge.*



| Nr katalog.<br>Reference | $\frac{Kg}{\Delta}$ | Zakończyć<br>Finish   |
|--------------------------|---------------------|-----------------------|
| 100510482                | 0.220               | Plastikowy<br>Plastic |

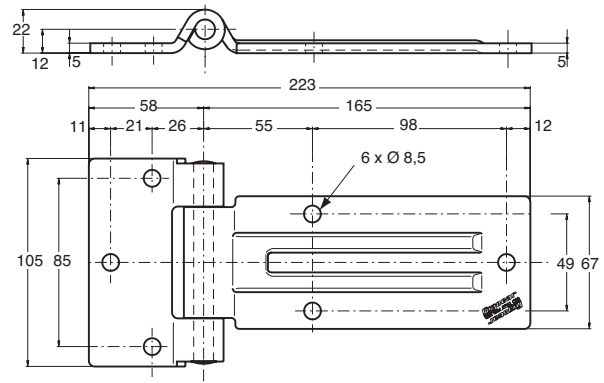
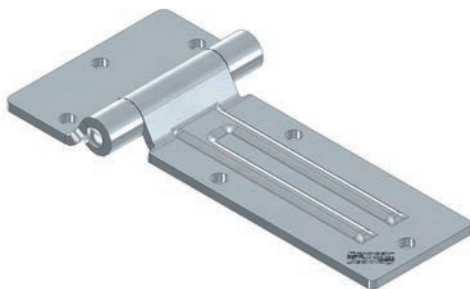
**STAL NIERDZEWNA - STAINLESS STEEL**



Zawiasy ze stali nierdzewnej, polerowane.  
*Polished stainless steel hinge.*



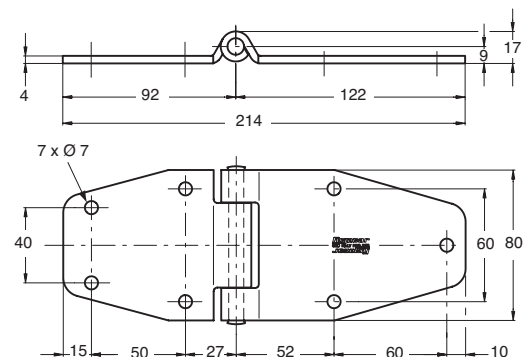
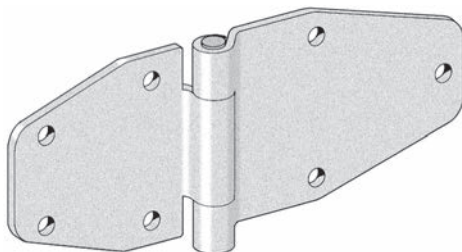
| Nr katalog.<br>Reference | Kg    |
|--------------------------|-------|
| 102006331                | 0,148 |



**13**

Zawiasy ze stali nierdzewnej, polerowane.  
*Polished stainless steel hinge.*

| Nr katalog.<br>Reference | Kg    |
|--------------------------|-------|
| 10150619A                | 0,825 |

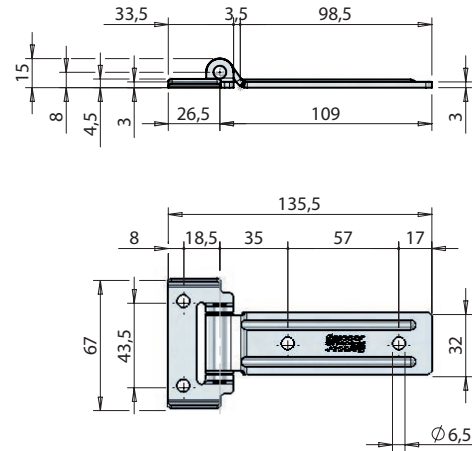
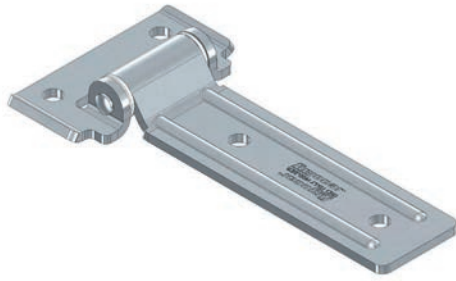


Zawiasy ze stali nierdzewnej, polerowane.  
*Polished stainless steel hinges.*

| Nr katalog.<br>Reference | Kg   |
|--------------------------|------|
| 101506350                | 0,63 |

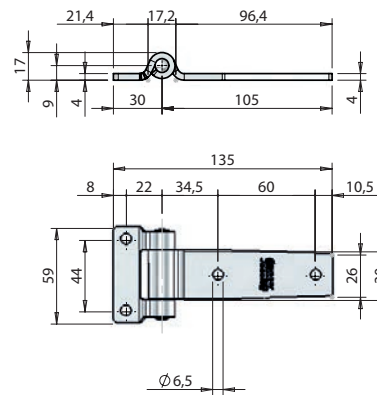


**STAL NIERDZEWNA - STAINLESS STEEL**



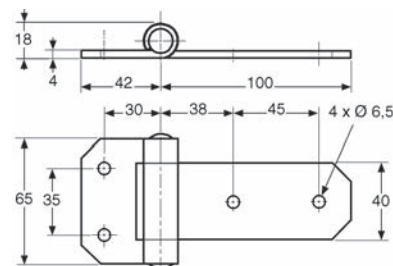
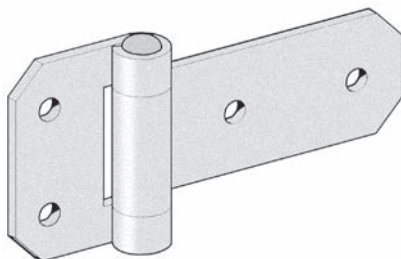
Zawiasy ze stali nierdzewnej, polerowane.  
*Polished stainless steel hinges.*

| Nr katalog.<br>Reference | Kg   |
|--------------------------|------|
| 102006170                | 0,14 |



Zawiasy ze stali nierdzewnej, polerowane.  
*Polished stainless steel hinges.*

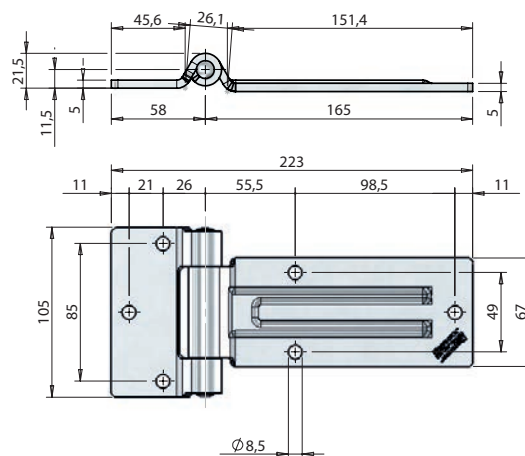
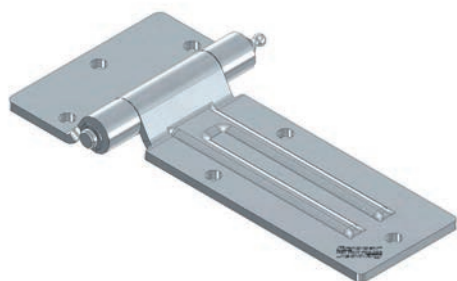
| Nr katalog.<br>Reference | Kg    |
|--------------------------|-------|
| 102006330                | 0,195 |



Zawiasy ze stali nierdzewnej, polerowane.  
*Polished stainless steel hinges.*

| Nr katalog.<br>Reference | Kg  |
|--------------------------|-----|
| 2704506                  | 0,3 |

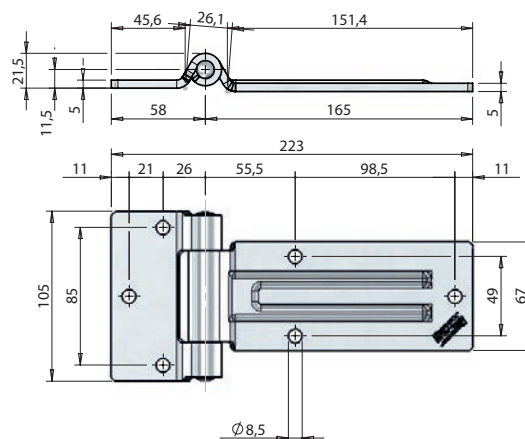
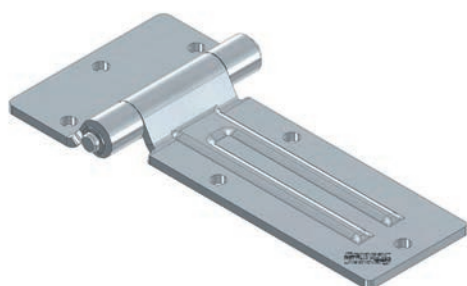
**STAL NIERDZEWNA - STAINLESS STEEL**



Zawias boczny niezwykle trwały do drzwi o dużych wymiarach ze sworzeniem rozbiernym bez smarowniczki.  
*Heavy duty flat side door hinge for large doors. Removable self-greasing pin.*



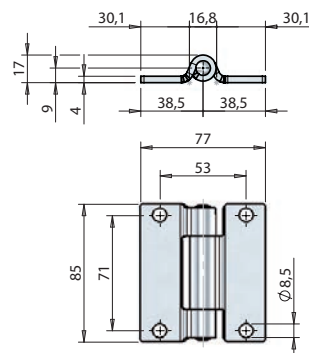
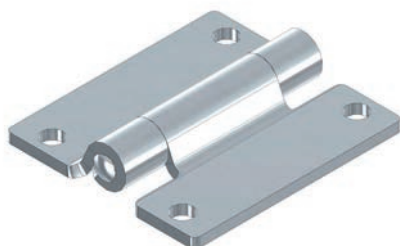
| Nr katalog.<br>Reference | $\frac{Kg}{\square}$ | Zakończyć<br>Finish                 |
|--------------------------|----------------------|-------------------------------------|
| 101506190                | 0.830                | Stal nierdzwenna<br>Stainless steel |



Zawias boczny z uszczelką o grubości 7 mm max., do drzwi o średnich wymiarach.  
*Flat side door hinge for medium to large doors. Removable non self-greasing pin.*



| Nr katalog.<br>Reference | $\frac{Kg}{\square}$ | Zakończyć<br>Finish                 |
|--------------------------|----------------------|-------------------------------------|
| 10150619B                | 0.825                | Stal nierdzwenna<br>Stainless steel |



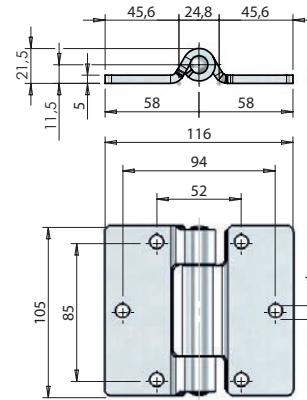
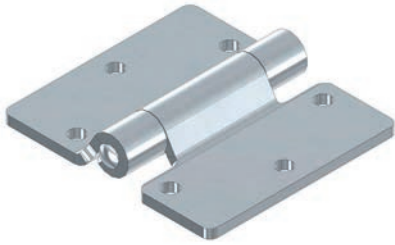
Zawias boczny do drzwi o średnich wymiarach dla różnego typu zastosowania.  
*Heavy duty flat side door hinge for medium sized doors. Designed for various applications.*



| Nr katalog.<br>Reference | $\frac{Kg}{\square}$ | Zakończyć<br>Finish                 |
|--------------------------|----------------------|-------------------------------------|
| 100511075                | 0.278                | Stal nierdzwenna<br>Stainless steel |



**STAL NIERDZEWNA - STAINLESS STEEL**

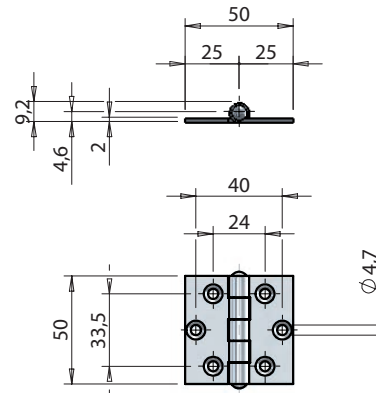


Zawias boczny do drzwi niezwykle trwały o dużych wymiarach, idealny dla różnego typu zastosowania. Sworzeń rotacyjny ze stali nierdzewnej.

*Heavy duty flat side door hinge for large doors. Designed for various applications.*



| Nr katalog.<br>Reference |  Kg | Zakończyć<br>Finish                |
|--------------------------|--|------------------------------------|
| 100511073                | 0.620  | Stal nierdzewna<br>Stainless steel |

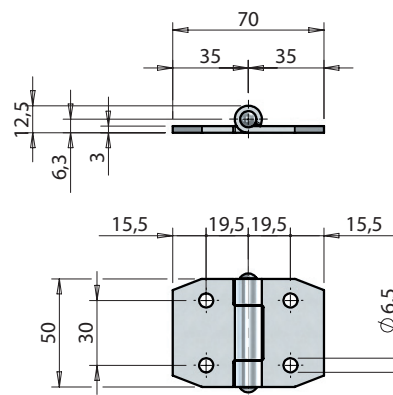
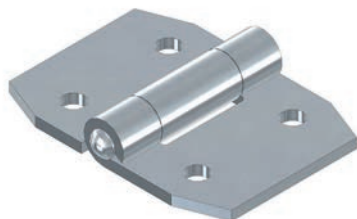


Zawias wieloczęściowy dla różnego typu zastosowań. Wymiary 50 x 50 x 2 mm.

*Butt hinge for various applications. Dimensions 50 x 50 x 2 mm.*



| Nr katalog.<br>Reference |  Kg | Zakończyć<br>Finish                |
|--------------------------|--|------------------------------------|
| 102106230                | 0.055  | Stal nierdzewna<br>Stainless steel |



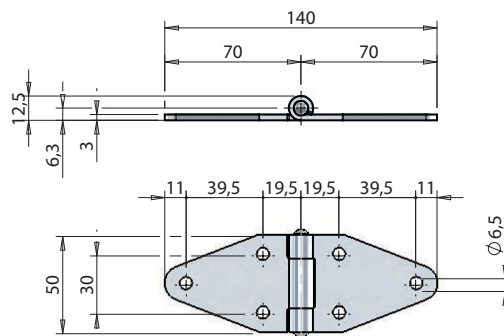
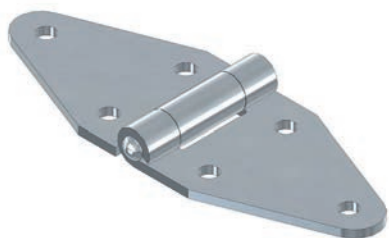
Zawias wieloczęściowy dla różnego typu zastosowań. Wymiary 50 x 70 x 3 mm.

*Butt hinge for various applications. Dimensions 50 x 70 x 3 mm.*



| Nr katalog.<br>Reference |  Kg | Zakończyć<br>Finish                |
|--------------------------|--|------------------------------------|
| 102110379                | 0.110  | Stal nierdzewna<br>Stainless steel |

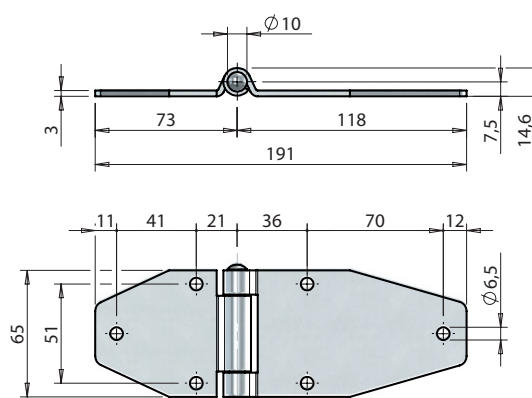
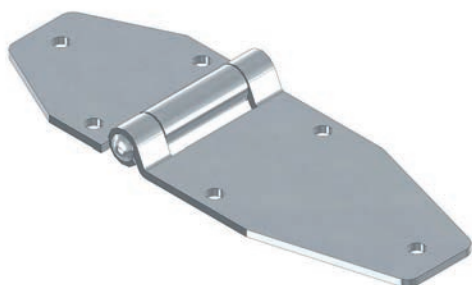
**STAL NIERDZEWNA - STAINLESS STEEL**



Zawias wieloczęściowy dla różnego typu zastosowań. Wymiary 50 x 140 x 3 mm.  
Butt hinge for various applications. Dimensions 50 x 140 x 3 mm.



| Nr katalog.<br>Reference | Kg    | Zakończyć<br>Finish                |
|--------------------------|-------|------------------------------------|
| 102110378                | 0.150 | Stal nierdzewna<br>Stainless steel |



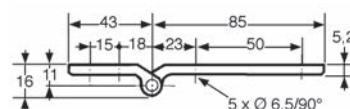
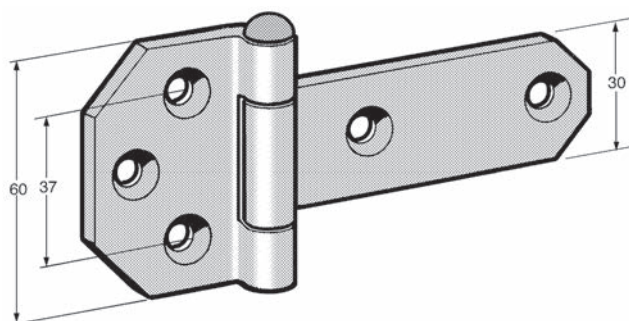
Zawias wieloczęściowy dla różnego typu zastosowań. Wymiary 65 x 190 x 3 mm.  
Butt hinge for various applications. Dimensions 65 x 190 x 3 mm.



| Nr katalog.<br>Reference | Kg    | Zakończyć<br>Finish                |
|--------------------------|-------|------------------------------------|
| 102510376                | 0.298 | Stal nierdzewna<br>Stainless steel |

13

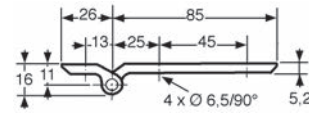
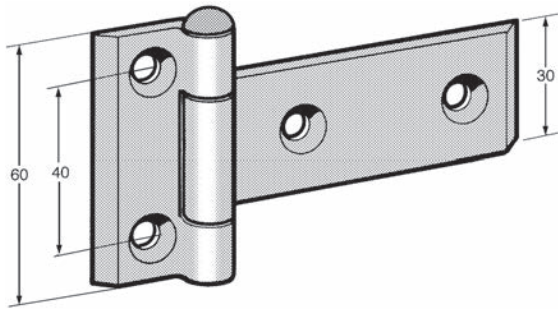
**STAL CYNKOWANA - ZINC PLATED STEEL**




Zawias ze stali cynkowanej.  
Zinc plated steel hinge.

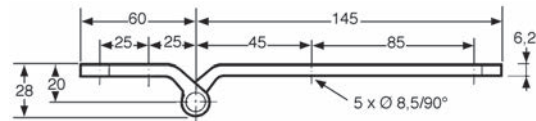
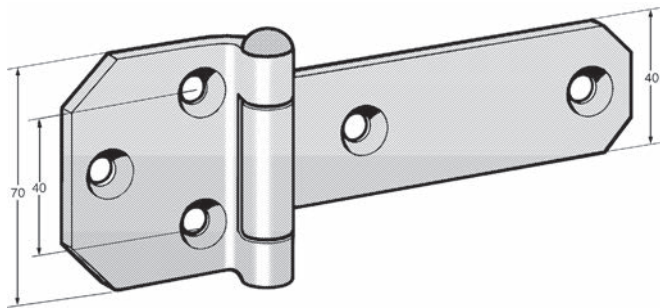
| Nr katalog.<br>Reference | Kg   |
|--------------------------|------|
| 2644381ZI                | 0,26 |

**STAL CYNKOWANA - ZINC PLATED STEEL**




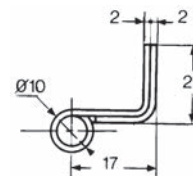
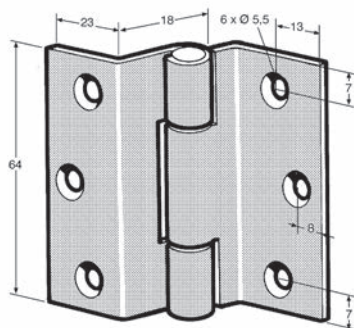
Zawias ze stali cynkowanej.  
*Zinc plated steel hinge.*

|                          |   |
|--------------------------|---|
| Nr katalog.<br>Reference |  |
| 2644382ZI                | 0,2   |




Zawias ze stali cynkowanej.  
*Zinc plated steel hinge.*

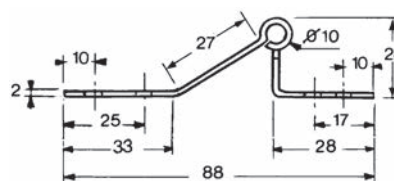
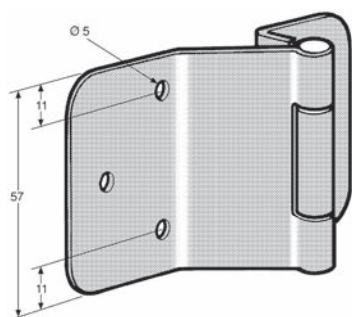
|                          |   |
|--------------------------|---|
| Nr katalog.<br>Reference |  |
| 2644383ZI                | 0,52  |



Zawias cynkowany, trzpień nierdzewny.  
*Zinc plated steel hinge, aluminium pin.*

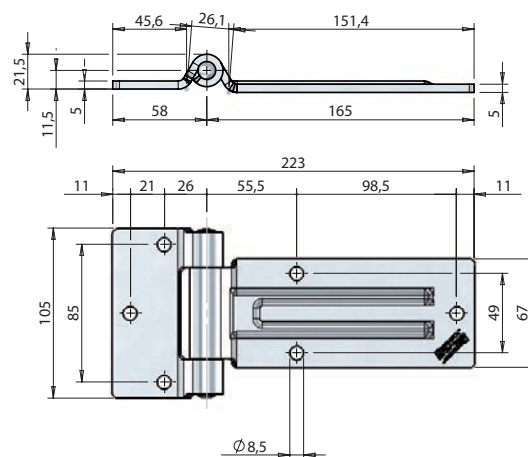
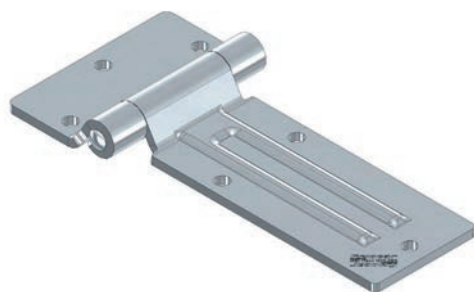
|                          |   |
|--------------------------|---|
| Nr katalog.<br>Reference |  |
| 2637598                  | 0,095   |

STAL CYNKOWANA - ZINC PLATED STEEL



Zawias cynkowany, trzpień nierdzewny.  
Zinc plated steel hinge, aluminium pin.

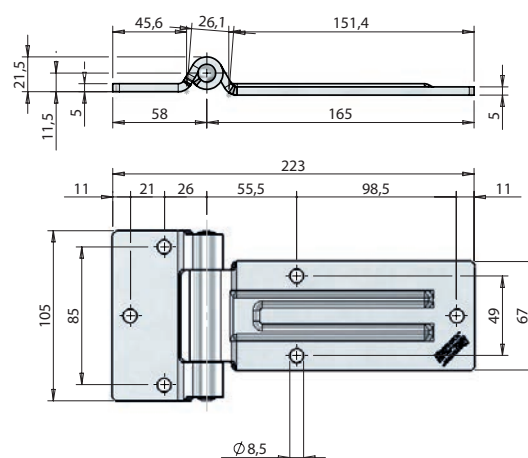
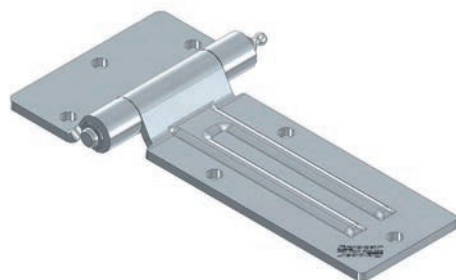
| Nr katalog.<br>Reference | Kg   |
|--------------------------|------|
| 2637603                  | 0,11 |



13

Zawias boczny do drzwi o dużych wymiarach ze sworzniem rozbielnym i smarowniczką. Sworzeń rotacyjny ze stali nierdzewnej.  
Flat side door hinge for large doors. With stainless steel hinge pin.

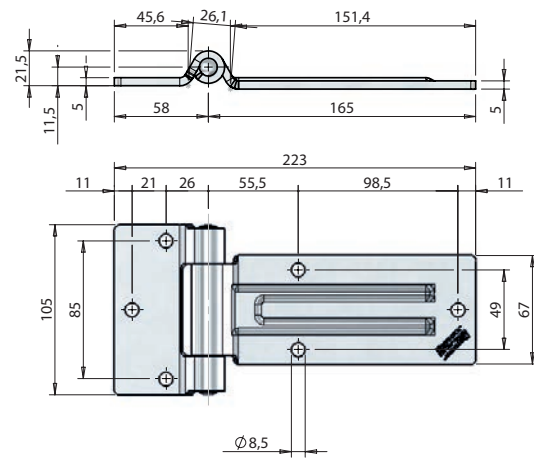
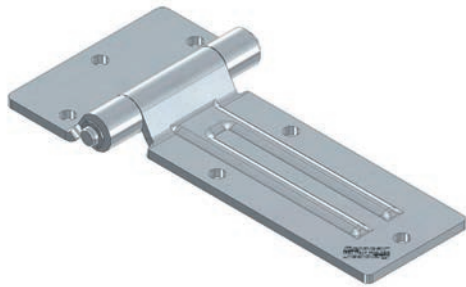
| Nr katalog.<br>Reference | Kg    | Zakończyć<br>Finish            |
|--------------------------|-------|--------------------------------|
| 10180620A                | 0.780 | Stal ocynkowana<br>Zinc plated |



Zawias boczny drzwi o dużych wymiarach ze sworzniem rozbielnym bez smarowniczki. Sworzeń rotacyjny ze stali nierdzewnej.  
Heavy duty flat side door hinge for large doors. Removable self-greasing pin. With stainless steel hinge pin.

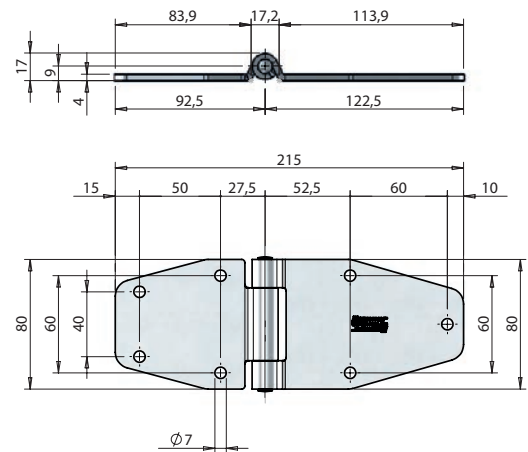
| Nr katalog.<br>Reference | Kg    | Zakończyć<br>Finish            |
|--------------------------|-------|--------------------------------|
| 101806200                | 0.812 | Stal ocynkowana<br>Zinc plated |

**STAL CYNKOWANA - ZINC PLATED STEEL**




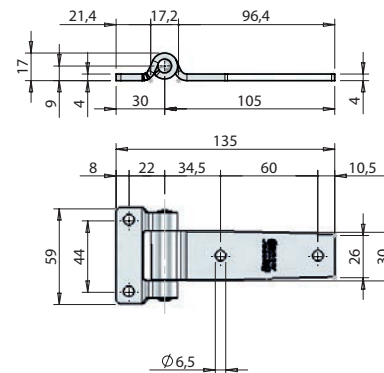
Zawias boczny do drzwi o dużych wymiarach ze sworzeniem rozbieralnym bez smarowniczki. Sworzeń rotacyjny ze stali nierdzewnej.  
*Flat side door hinge for medium to large doors. Removable non self-greasing pin. With stainless steel hinge pin.*

| Nr katalog.<br>Reference |  Kg | Zakończyć<br>Finish            |
|--------------------------|--|--------------------------------|
| 10180620B                | 0.825  | Stal ocynkowana<br>Zinc plated |



Zawias boczny do drzwi o średnich wymiarach, dla różnego typu zastosowania. Sworzeń rotacyjny ze stali nierdzewnej.  
*Heavy duty side flat hinge for medium doors. Designed for various applications. With stainless steel hinge pin.*

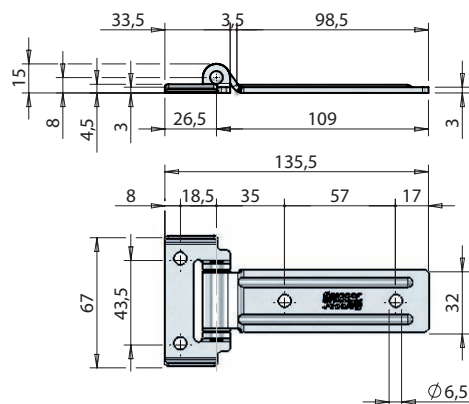
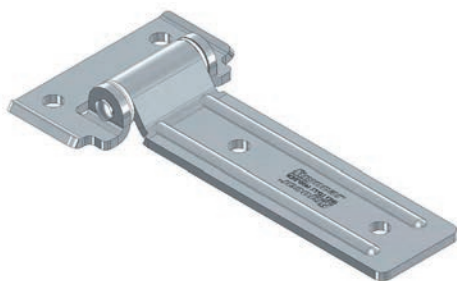
| Nr katalog.<br>Reference |  Kg | Zakończyć<br>Finish            |
|--------------------------|--|--------------------------------|
| 101806360                | 0.530  | Stal ocynkowana<br>Zinc plated |



Zawias do zastosowań lekkich. Sworzeń rotacyjny ze stali nierdzewnej.  
*Flat side hinge for small doors.*

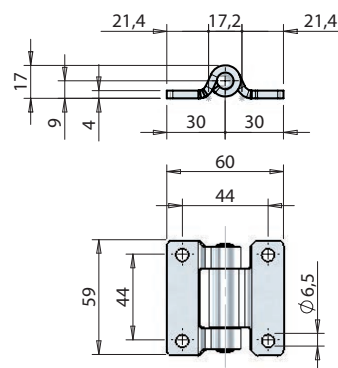
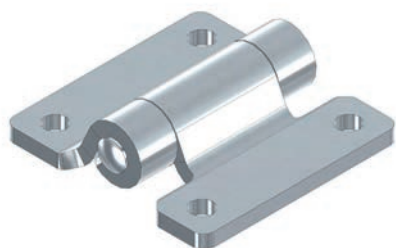
| Nr katalog.<br>Reference |  Kg | Zakończyć<br>Finish            |
|--------------------------|--|--------------------------------|
| 102006340                | 0.200  | Stal ocynkowana<br>Zinc plated |

**STAL CYNKOWANA - ZINC PLATED STEEL**



Mały zawias do zastosowań lekkich. Sworzeń rotacyjny ze stali nierdzewnej.  
*Flat side hinge for small doors. With stainless steel hinge pin.*

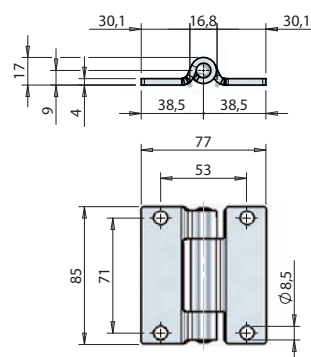
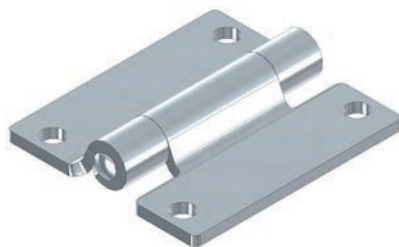
| Nr katalog.<br>Reference | Kg    | Zakończyć<br>Finish            |
|--------------------------|-------|--------------------------------|
| 102006180                | 0.145 | Stal ocynkowana<br>Zinc plated |



13

Zawias boczny niezwykle trwały dla różnego typu zastosowania. Sworzeń rotacyjny ze stali nierdzewnej.  
*Heavy duty flat side hinge for small doors. Designed for various applications. With stainless steel hinge pin.*

| Nr katalog.<br>Reference | Kg    | Zakończyć<br>Finish            |
|--------------------------|-------|--------------------------------|
| 102006341                | 0.145 | Stal ocynkowana<br>Zinc plated |

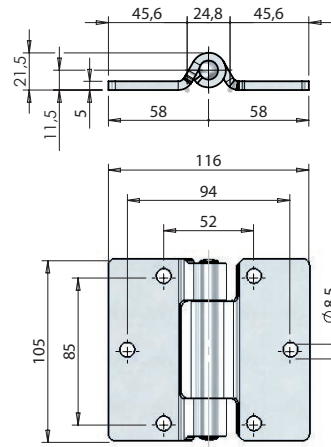


Zawias boczny do drzwi o średnich wymiarach, idealny dla różnego typu zastosowania. Sworzeń rotacyjny ze stali nierdzewnej.  
*Heavy duty flat side door hinge for medium sized doors. Designed for various applications. With stainless steel pin.*

| Nr katalog.<br>Reference | Kg    | Zakończyć<br>Finish            |
|--------------------------|-------|--------------------------------|
| 100911076                | 0.278 | Stal ocynkowana<br>Zinc plated |



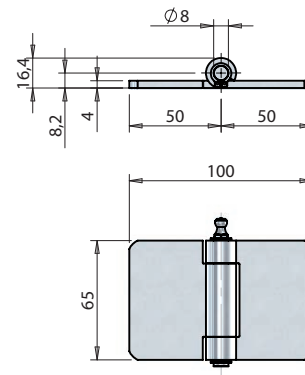
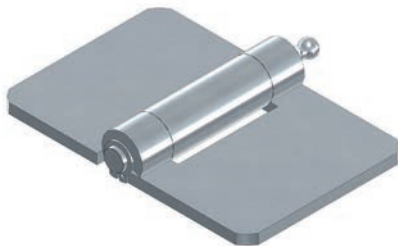
**STAL CYNKOWANA - ZINC PLATED STEEL**



Zawias boczny do drzwi niezwykle trwałe o dużych wymiarach, idealny dla różnego typu zastosowania. Sworzeń rotacyjny ze stali nierdzewnej.

*Heavy duty flat side door hinge for large doors. Designed for various applications. With stainless steel pin.*

| Nr katalog.<br>Reference |  Kg | Zakończyć<br>Finish            |
|--------------------------|--|--------------------------------|
| 100911074                | 0.620  | Stal ocynkowana<br>Zinc plated |

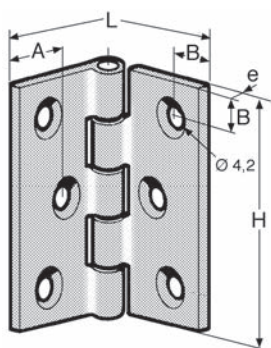


Zawias wieloczęściowy ze smarowniczką dla różnego typu zastosowań. Wymiary 65 x 100 x 4 mm.


*Butt hinge with grease nipple for various applications. Dimensions 65 x 100 x 4 mm.*

| Nr katalog.<br>Reference |  Kg | Zakończyć<br>Finish            |
|--------------------------|--|--------------------------------|
| 102110380                | 0.260  | Stal ocynkowana<br>Zinc plated |

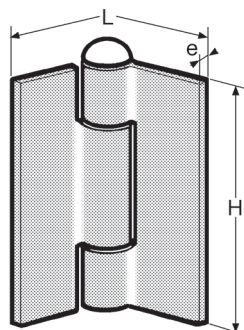
**MOSIĄDZ - BRASS**




Zawias mosiężny, odwiercony z trzpieniem nierdzewnym.  
*Brass hinge with fixing holes and stainless steel pin.*

| Nr katalog.<br>Reference |  Kg | A<br>(mm) | B<br>(mm) | H<br>(mm) | L<br>(mm) |
|--------------------------|--|-----------|-----------|-----------|-----------|
| 2637992KK                | 0,08   | 15        | 8         | 60        | 60        |
| 2637993JJ                | 0,05   | 12        | 7         | 50        | 50        |

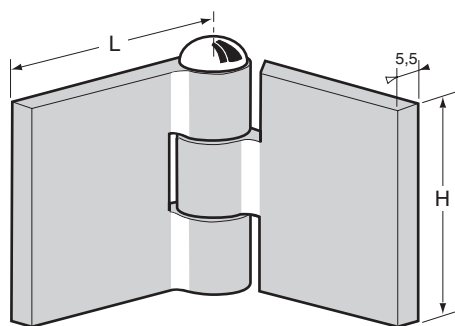
**STAL SUROWA - SELF COLOUR STEEL**





Zawias pasmowy, z blachy stalowej, surowy.  
*Self colour steel lift-off hinge.*

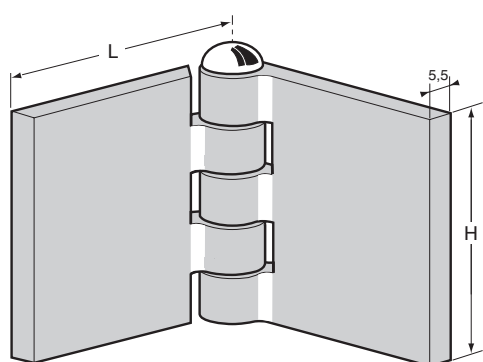
| Nr katalog.<br>Reference |  Kg | H<br>(mm) | L<br>(mm) |
|--------------------------|--|-----------|-----------|
| 2637990JJ                | 0,062  | 50        | 50        |
| 2637990LL                | 0,11   | 70        | 70        |





**STAL SUROWA - SELF COLOUR STEEL**


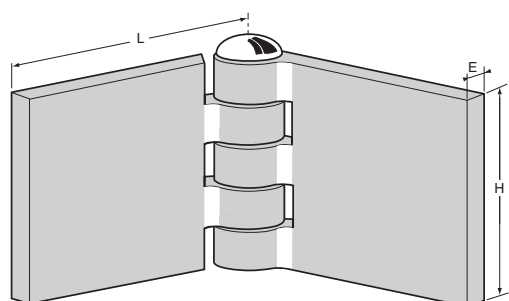
Zawias 3 częściowy, Ø 12 mm, trzpień pełny z mosiądzu.  
*Hinge, 3 knuckle, 12 mm, brass axle.*

| Nr katalog.<br>Reference |  Kg | L<br>(mm) | H<br>(mm) |  |
|--------------------------|--|-----------|-----------|---|
| 2603798FF                | 0,1  | 30        | 30        | 100   |
| 2603798FH                | 0,112  | 40        | 30        | 100   |
| 2603798FK                | 0,152  | 60        | 30        | 100   |
| 2603798HH                | 0,155  | 40        | 40        | 100   |
| 2603798HK                | 0,2  | 60        | 40        | 50  |
| 2603798HN                | 0,305  | 90        | 40        | 50  |





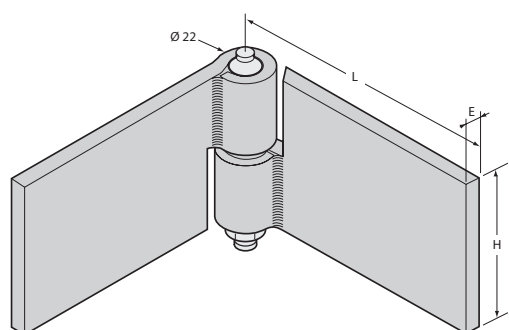
Zawias 5 częściowy, Ø 12 mm trzpień pełny z mosiądzu.  
*Hinge, 5 knuckle, 12 mm, brass axle.*

| Nr katalog.<br>Reference |  Kg | L<br>(mm) | H<br>(mm) |  |
|--------------------------|--|-----------|-----------|---|
| 2603798JD                | 0,11   | 22,5      | 50        | 100   |
| 2603798JH                | 0,19   | 40        | 50        | 50  |
| 2603798JJ                | 0,22   | 50        | 50        | 50  |
| 2603798JK                | 0,265  | 60        | 50        | 50  |
| 2603798KK                | 0,315  | 60        | 60        | 50  |
| 2603798KN                | 0,455  | 90        | 60        | 30  |
| 2603798MK                | 0,425  | 60        | 80        | 50  |
| 2603798MM                | 0,61   | 80        | 80        | 25  |




Zawias 5 częściowy.  
*Knot hinge.*

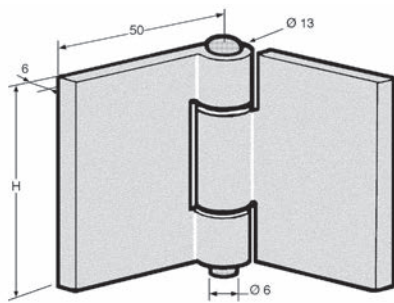
| Nr katalog.<br>Reference |  Kg | E<br>(mm) | L<br>(mm) | H<br>(mm) |  | Ø Oczka<br>Ø Eye | Osie<br>Axis     | Części<br>Knots |
|--------------------------|--|-----------|-----------|-----------|---|------------------|------------------|-----------------|
| 2603799KK                | 0,41   | 6         | 62        | 60        | 50  | 16               | Mosiądz<br>Brass | 5               |
| 2603799LS                | 0,82   | 6         | 120       | 70        | 25  | 15               | Mosiądz<br>Brass | 5               |
| 2603799MM                | 0,63   | 6         | 80        | 80        | 25  | 15               | Mosiądz<br>Brass | 5               |



Zawias z trzpieniem kulowym, stal surowa, rysunek przedstawia stronę prawą.  
*Knuckle hinges, Self colour steel, the image represents the righthand side.*

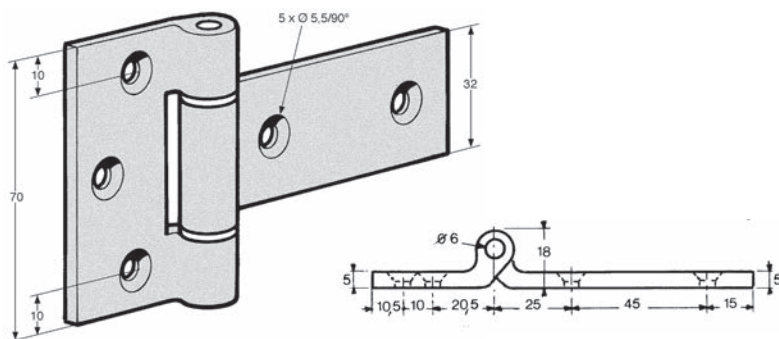
| Nr katalog.<br>Reference |  Kg | E<br>(mm) | L<br>(mm) | H<br>(mm) | Strona<br>Hand |
|--------------------------|--|-----------|-----------|-----------|----------------|
| 2603801LD                | 0,81   | 6         | 100       | 70        | Prawa<br>Right |
| 2603801LG                | 0,81   | 6         | 100       | 70        | Lewa<br>Left   |

ALUMINIUM - ALUMINIUM



Zawias z aluminium, tulejkami z tworzywa i trzpieniem Ø 6 ze stali cynkowanej.  
*Aluminium hinge with plastic bushes and zinc plated steel pin.*

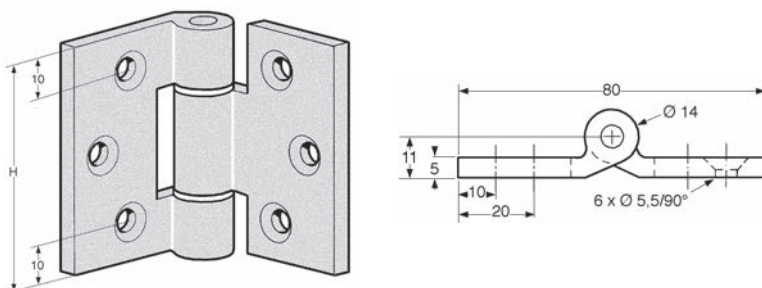
| Nr katalog.<br>Reference | $\frac{Kg}{mm^3}$ | H<br>(mm) |
|--------------------------|-------------------|-----------|
| 2737989                  | 0,15              | 80        |
| 2737998                  | 0,095             | 50        |



Zawias z aluminium anodowanego, z podkładkami z tworzywa i trzpieniem ze stali nierdzewnej.  
*Anodized aluminium hinge with plastic washers and stainless steel pin.*

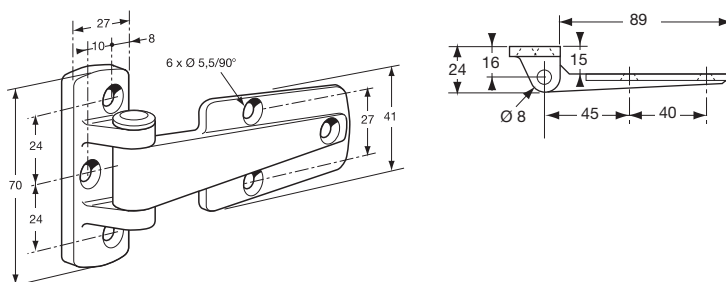
| Nr katalog.<br>Reference | $\frac{Kg}{mm^3}$ |
|--------------------------|-------------------|
| 2737999                  | 0,102             |

13



Zawias z aluminium anodowanego z podkładkami plastikowymi i osią ze stali cynkowanej.  
*Anodized aluminium hinge with plastic bushes and zinc plated steel pin.*

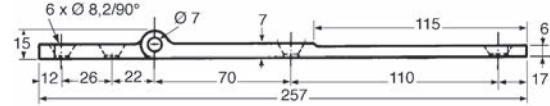
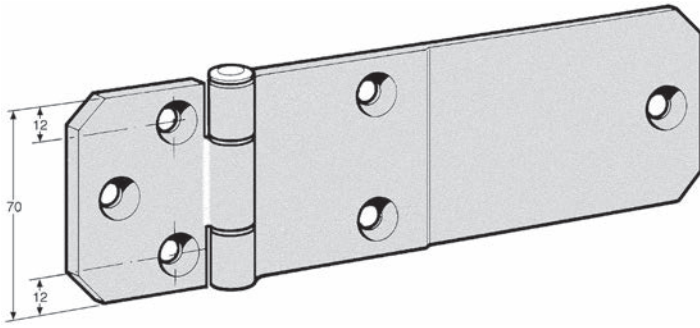
| Nr katalog.<br>Reference | $\frac{Kg}{mm^3}$ | H<br>(mm) |
|--------------------------|-------------------|-----------|
| 2738000                  | 0,09              | 60        |
| 2738001                  | 0,11              | 80        |



Zawias z brązu aluminiumowego, malowany szarym lakierem epoksydowym, z trzpieniem ze stali nierdzewnej.  
*Die-cast aluminium hinge, grey epoxy finish, stainless steel pin.*

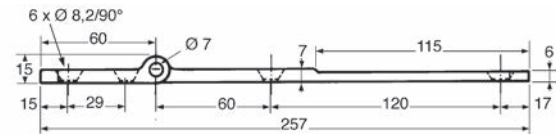
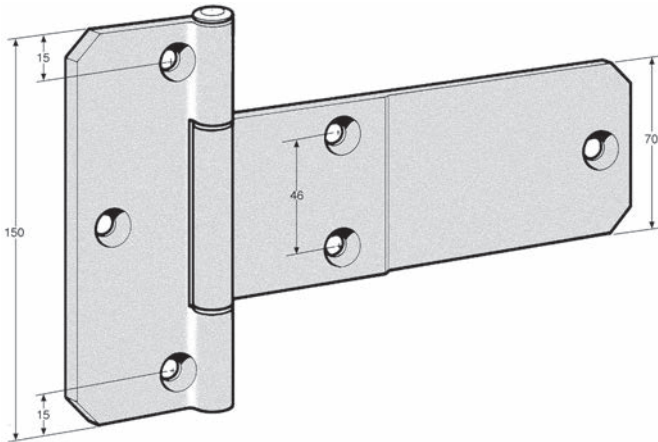
| Nr katalog.<br>Reference | $\frac{Kg}{mm^3}$ |
|--------------------------|-------------------|
| 2744394                  | 0,25              |

**ALUMINIUM - ALUMINIUM**



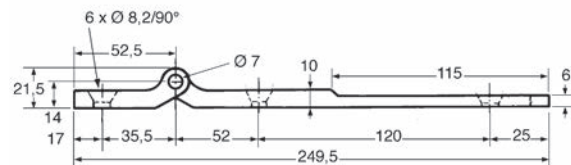
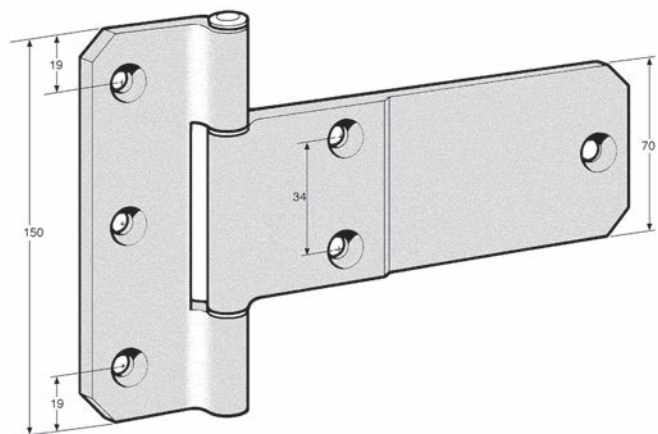
Zawias z anodowanego aluminium, z osią nierdzewną i tulejami z nylonu.  
*Anodized aluminium hinge, with stainless steel pin and nylon bushes.*

|                          |      |
|--------------------------|------|
| Nr katalog.<br>Reference |      |
| 2744389                  | 0,44 |



Zawias z anodowanego aluminium, z osią nierdzewną i tulejami z nylonu.  
*Anodized aluminium hinge, with stainless steel pin and nylon bushes.*

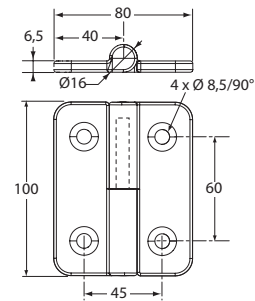
|                          |       |
|--------------------------|-------|
| Nr katalog.<br>Reference |       |
| 2744399PF                | 0,465 |



Zawias z anodowanego aluminium, z osią nierdzewną i tulejami z nylonu.  
*Anodized aluminium hinge, with stainless steel pin and nylon bushes.*

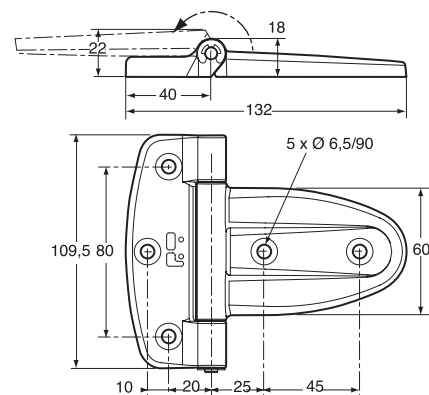
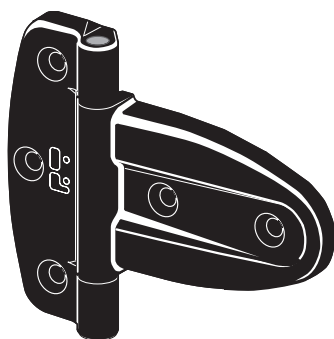
|                          |       |
|--------------------------|-------|
| Nr katalog.<br>Reference |       |
| 2744398                  | 0,555 |

PLASTIKOWY - *PLASTIC*



Zawias plastikowy czarny z trzpieniem ze stali nierdzewnej, rysunek przedstawia stronę prawą.  
*Hinge, black plastic, with stainless steel pin, the image represents the righthand side.*

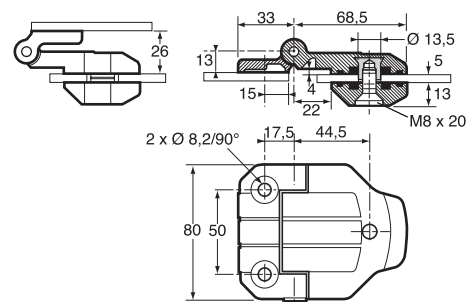
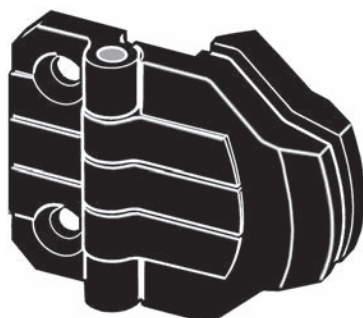
| Nr katalog.<br>Reference | Kg    | Strona<br>Hand |
|--------------------------|-------|----------------|
| 2704432DR                | 0,085 | Prawa<br>Right |
| 2704432GA                | 0,085 | Lewa<br>Left   |



13

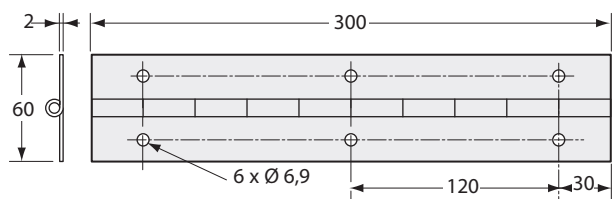
Zawias, czarny plastik.  
*Hinge, black plastic.*


| Nr katalog.<br>Reference | Kg  |
|--------------------------|-----|
| 2704431                  | 0,1 |

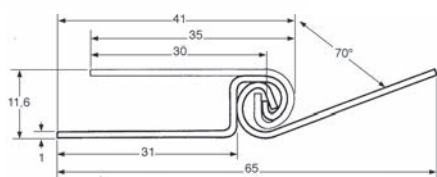
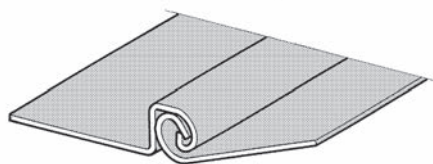



Zawias szyby przedniej, czarne tworzywo sztuczne.  
*Windscreen hinge, black plastic.*

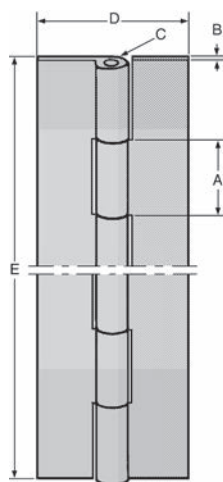
| Nr katalog.<br>Reference | Kg    |
|--------------------------|-------|
| 2704430                  | 0,145 |


**STAL NIERDZEWNA - STAINLESS STEEL**

 Zawias, stal nierdzewna.  
*Stainless steel hinge.*

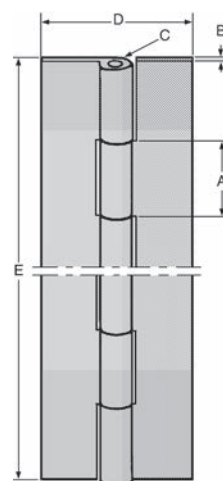
| Nr katalog.<br>Reference |  Kg | Długość<br>Length |
|--------------------------|--|-------------------|
| 2637136                  | 0,420  | 300 mm            |



 Zawias 30 x 30, stal nierdzewna surowa, dł. 4 m 0 / +50 mm.  
*Continuous stainless steel hinge 30 x 30, lenght 4 m 0 / +50 mm.*

| Nr katalog.<br>Reference |  Kg |
|--------------------------|--|
| 2603723                  | 0,75   |


 Zawias pasmowy z blachy nierdzewnej, oczka zwijane, nieodwiercony.  
*Rolled stainless steel continuous hinge, without holes.*

| Nr katalog.<br>Reference |  Kg | A (mm) | B (mm) | C (mm) | D (mm) | E (mm) | Osie<br>Axis                       |
|--------------------------|--|--------|--------|--------|--------|--------|------------------------------------|
| 2637131                  | 1,4  | 15     | 1,5    | 4      | 40     | 2040   | Stal nierdzewna<br>Stainless steel |
| 2637132                  | 1,31   | 30     | 1,2    | 3      | 50     | 2000   | Stal nierdzewna<br>Stainless steel |
| 2637133                  | 2,8  | 30     | 2      | 6      | 60     | 2040   | Stal nierdzewna<br>Stainless steel |
| 2637134                  | 3,14   | 30     | 2      | 6      | 70     | 2000   | Stal nierdzewna<br>Stainless steel |
| 2637135                  | 5  | 40     | 3      | 6      | 80     | 2000   | Stal nierdzewna<br>Stainless steel |

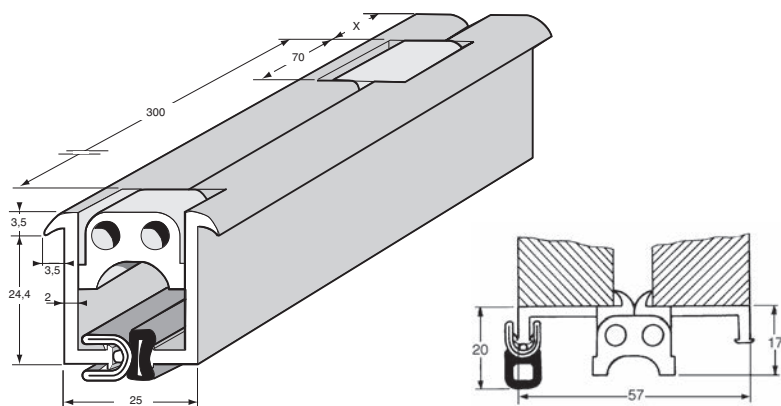

 Zawias pasmowy z blachy stalowej, oczka zwijane, nieodwiercony.  
*Rolled continuous steel hinge without holes.*

| Nr katalog.<br>Reference |  Kg | A (mm) | B (mm) | C (mm) | D (mm) | E (mm) | Osie<br>Axis  |
|--------------------------|--|--------|--------|--------|--------|--------|---------------|
| 2603709                  | 1,4  | 15     | 1,5    | 4      | 40     | 2040   | Stal<br>Steel |
| 2603710                  | 1,3  | 30     | 1,2    | 3      | 50     | 2040   | Stal<br>Steel |
| 2637120                  | 1,98   | 40     | 1,5    | 5      | 60     | 2000   | Stal<br>Steel |

**BEZ WYSTĘPU - FLUSH**

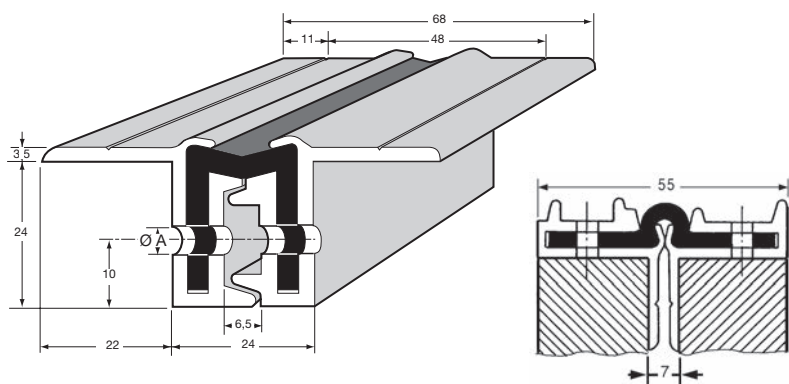
Zastosowane tworzywo sztuczne posiada wysoka granice sprężystości, doskonała odporność na zmęczenie, czynniki atmosferyczne (-40° do +80° C) i starzenie. Zawias zastosowany wzdłuż boku drzwi, mając wewnątrz ciągły profil z tworzywa sztucznego, spełnia również rolę uszczelki i równie dobrze działa w położeniu poziomym i pionowym. W celu ułatwienia prac, dostarczany jest w położeniu rozwartym kłami, które należy wyjąć dopiero po zakończeniu montażu.

*High tensile strength plastic hinge, highly resistant to wear, weather conditions (-40° to +80°C) and use. This hinge is secured on the whole length of the door and makes a tight seal with its plastic section. It can be installed either horizontally or vertically. The hinge is delivered semi-open to make easier installation. Remove the blocks only after installation.*



Zawias drzwi bez występu z uszczelką, otwarcie 180°. *Aluminium continuous hinge with seal, 180° opening.*

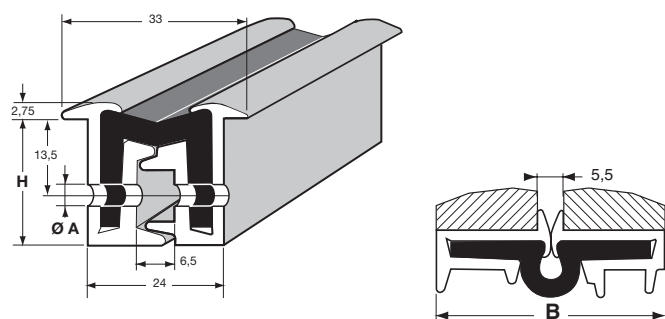
| Nr katalog.<br>Reference | $\triangle$ Kg | X   | Długość<br>Length |
|--------------------------|----------------|-----|-------------------|
| 2744400                  | 2,5            | 65  | 2 m               |
| 2744401                  | 3,2            | 15  | 2,5 m             |
| 2744402                  | 3,75           | 115 | 3 m               |



Zawias drzwi bez występu z uszczelką, otwarcie 180°. *Aluminium continuous hinge, 180° opening.*

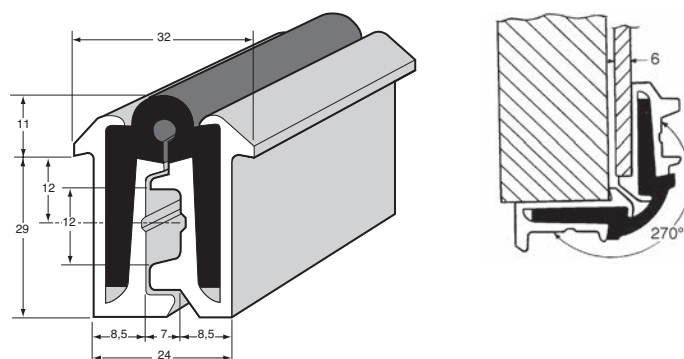
| Nr katalog.<br>Reference | $\triangle$ Kg | $\varnothing$ A | Długość<br>Length | Razstaw os<br>Center dist |
|--------------------------|----------------|-----------------|-------------------|---------------------------|
| 2744411                  | 3,3            | 4               | 2,4 m             | 100                       |
| 2744412                  | 4,4            | 5,2             | 3,25 m            | 100                       |

13



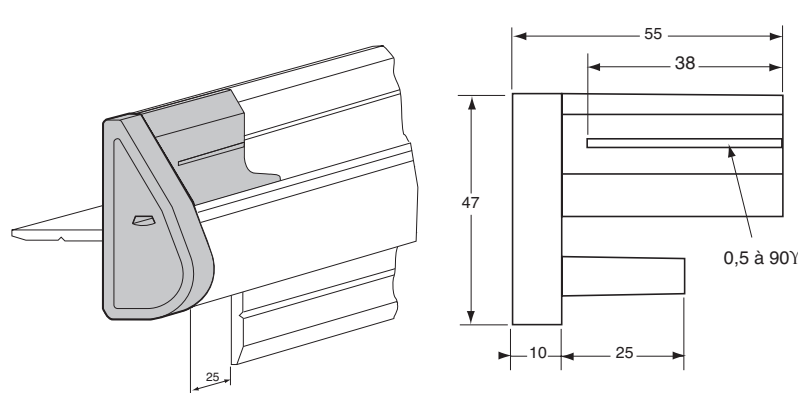
Zawias drzwi bez występu z uszczelką, otwarcie 180°. *Aluminium continuous hinge, 180° opening.*

| Nr katalog.<br>Reference | $\triangle$ Kg | B (mm) | $\varnothing$ A | Długość<br>Length | H (mm) | Razstaw os<br>Center dist |
|--------------------------|----------------|--------|-----------------|-------------------|--------|---------------------------|
| 2744424                  | 2,1            | 49,5   | 4               | 2 m               | 22     | 100                       |
| 2744425                  | 2,55           | 49,5   | 4               | 2,4 m             | 22     | 100                       |



Zawias drzwi bez występu z uszczelką, otwarcie 270°. *Aluminium continuous hinge, 270° opening.*

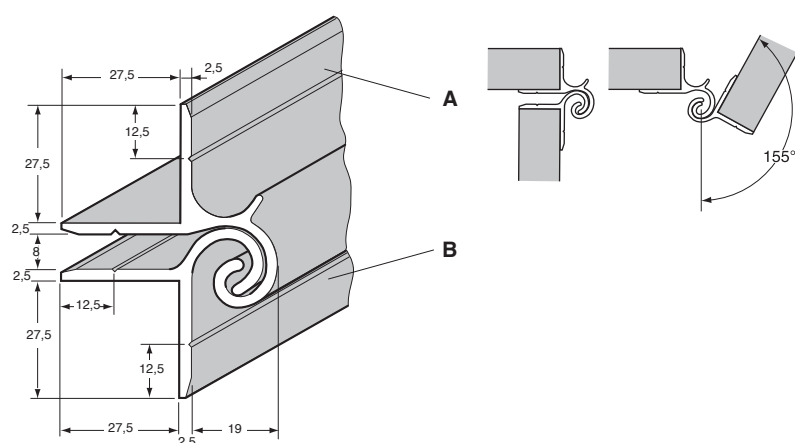
| Nr katalog.<br>Reference | $\triangle$ Kg | Długość<br>Length | Razstaw os<br>Center dist | Otwory<br>Hole |
|--------------------------|----------------|-------------------|---------------------------|----------------|
| 2744428                  | 3,75           | 2,5 m             | 200                       | 5              |
| 2744429                  | 4,7            | 3 m               | 200                       | 5              |

**ALUMINIUM - ALUMINIUM**


Zderzak aluminiowy, farba poliestrowa szara. Rysunek przedstawia stronę lewą.

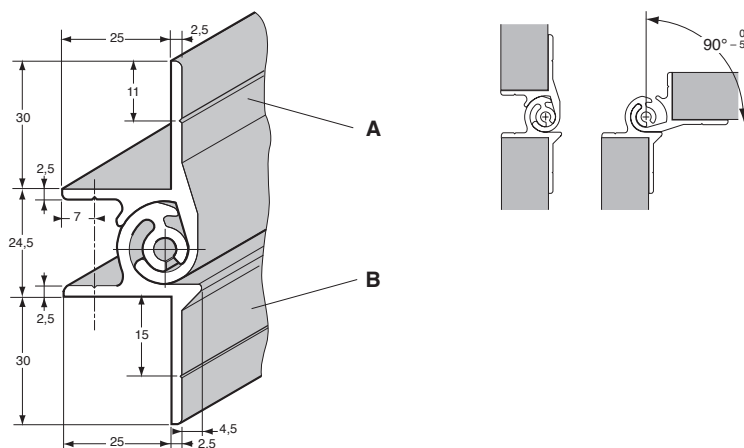
*Aluminium end stop RH, grey polyester coated, for 1636731/761, the image represents the lefthand side.*

| Nr katalog.<br>Reference | $\frac{\circ}{kg}$ | Dla<br>For         | Strona<br>Hand |
|--------------------------|--------------------|--------------------|----------------|
| 1636731DR                | 0,035              | 1636731<br>1636761 | Prawa<br>Right |
| 1636731GA                | 0,035              | 1636731<br>1636761 | Lewa<br>Left   |



Zawias aluminium anodowane.  
*Anodized aluminium hinge profile.*

| Nr katalog.<br>Reference | Długość<br>Length | Typ<br>Type |
|--------------------------|-------------------|-------------|
| 1636731                  | 5 m               | A           |
| 1636732                  | 5 m               | B           |
| 1636761                  | 2,6 m             | A           |
| 1636762                  | 2,6 m             | B           |

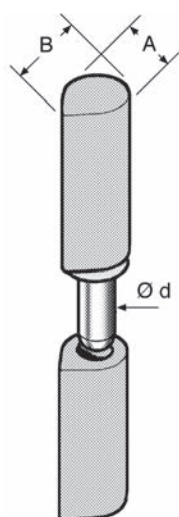


Zawias aluminium anodowane.  
*Anodized aluminium hinge profile.*


| Nr katalog.<br>Reference | Długość<br>Length | Typ<br>Type |
|--------------------------|-------------------|-------------|
| 1636747                  | 5 m               | B           |
| 1636748                  | 5 m               | A           |

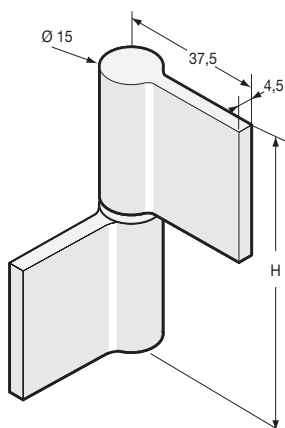


STAL - STEEL




Zawias do przyspawania ze stali surowej.  
*Self colour steel lift-off hinge, to weld.*

| Nr katalog.<br>Reference |  Kg | A<br>(mm) | B<br>(mm) | Ø d<br>(mm) | Wysokość<br>Height |
|--------------------------|--|-----------|-----------|-------------|--------------------|
| 2637997M                 | 0,09   | 13        | 15        | 7           | 80                 |
| 2637997P                 | 0,12   | 16        | 20        | 9           | 100                |
| 2637997S                 | 0,21   | 16        | 20        | 9           | 120                |



Zawias ze stali surowej.  
*Self colour steel lift-off hinge*

| Nr katalog.<br>Reference |  Kg | H<br>(mm) |
|--------------------------|---|-----------|
| 2637999K                 | 0,145   | 60        |
| 2637999M                 | 0,2   | 80        |



## **PROFILE Z ALUMINIUM**

Wewnętrzne, zewnętrzne, szyny, rynienki, wspornik płyt, kątowniki, narożniki, profile narożne, profile wypustu

### ***ALUMINIUM PROFILES***

*Inside, outside, rails, gutters, edging sections, corners, corner profiles, center strip profiles*



14



**KĄTOWNIKI I WYKOŃCZENIA - CORNERS AND FINISHINGS**

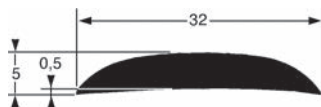

Surowy profil aluminiowy.  
Raw aluminium flat profiles.

| Nr katalog.<br>Reference | A  | E   | Długość<br>Length |
|--------------------------|----|-----|-------------------|
| 1503600                  | 20 | 3   | 5000              |
| 3110214                  | 25 | 2.5 | 5000              |



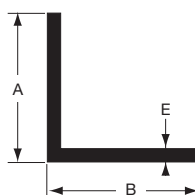
Surowy profil aluminiowy.  
Raw aluminium flat profiles.

| Nr katalog.<br>Reference | A  | Długość<br>Length |
|--------------------------|----|-------------------|
| 1503581                  | 23 | 5000              |
| 1503582                  | 27 | 5000              |



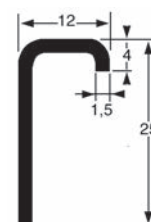
Surowy profil aluminiowy.  
Raw aluminium flat profiles.

| Nr katalog.<br>Reference | Długość<br>Length |
|--------------------------|-------------------|
| 1503591                  | 5000              |



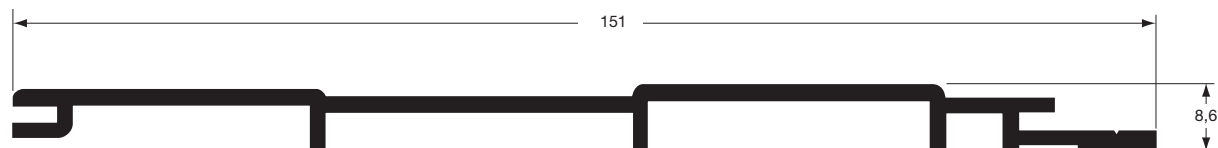
Profil L, surowy kątownik aluminiowy.  
L profiles, raw aluminium corners sections.

| Nr katalog.<br>Reference | A  | B  | E   | Długość<br>Length |
|--------------------------|----|----|-----|-------------------|
| 1503605                  | 20 | 20 | 1.5 | 5000              |
| 1536080                  | 30 | 30 | 2   | 5000              |
| 1536083                  | 40 | 40 | 2.5 | 5200              |



Profil obramowania szyb, aluminium surowe.  
Edging section.

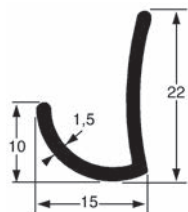
| Nr katalog.<br>Reference | Długość<br>Length |
|--------------------------|-------------------|
| 1503629                  | 5000              |



Profil wykończony, aluminium surowe.  
Raw aluminium profil, available upon request,  
minimum order 500 m.

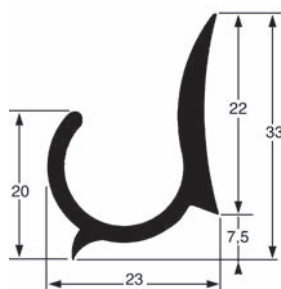
| Nr katalog.<br>Reference | Długość<br>Length |
|--------------------------|-------------------|
| 1636699                  | 12                |

**RYNIENKI - GUTTER**



Profil rynienki, aluminium surowe 22x15 mm.  
*Gutter sections.*

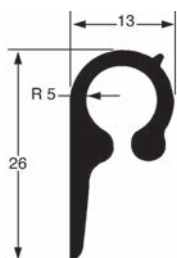
| Nr katalog.<br>Reference | Długość<br>Length |
|--------------------------|-------------------|
| 1503634                  | 5000              |



Profil rynienki, aluminium surowe.  
*Gutter sections.*

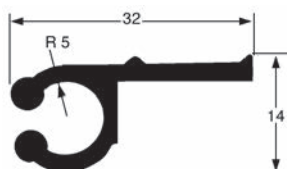
| Nr katalog.<br>Reference | Długość<br>Length |
|--------------------------|-------------------|
| 1503637                  | 5000              |

**SZNY DO KŁAP UCHYLNYCH - AWNING SECTIONS**



Profil szyny do kłap uchylnych, aluminium surowe.  
*Awning profile.*

| Nr katalog.<br>Reference | Długość<br>Length |
|--------------------------|-------------------|
| 1637591                  | 5000              |

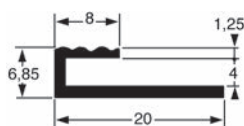


Profil szyny do kłap uchylnych, aluminium surowe.  
*Awning profile.*

| Nr katalog.<br>Reference | Długość<br>Length |
|--------------------------|-------------------|
| 1637596                  | 5000              |

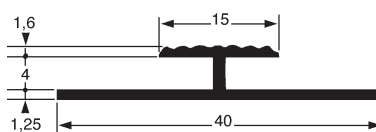
14

**OBRAMOWANIA SZYB - EDGING SECTIONS**



Profil wspornika płyt, aluminium polerowane.  
*Edging sections.*

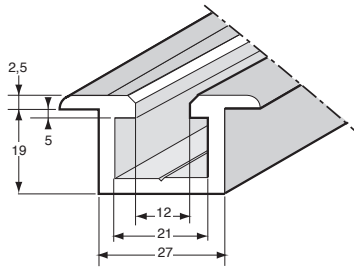
| Nr katalog.<br>Reference | Długość<br>Length |
|--------------------------|-------------------|
| 1635731                  | 5000              |



Profil w kształcie H wspornika płyt, aluminium polerowane.  
*Edging sections.*

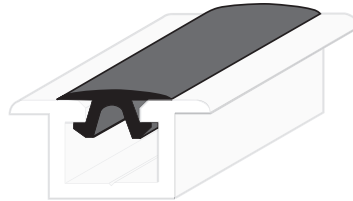
| Nr katalog.<br>Reference | Długość<br>Length |
|--------------------------|-------------------|
| 1635741                  | 5000              |

PROGI, LISTWY PRZYŚCIENNE I MOCOWANIE DO PODŁOGI - *DOORSTEP, PLINTH AND TRACK PROFILE*



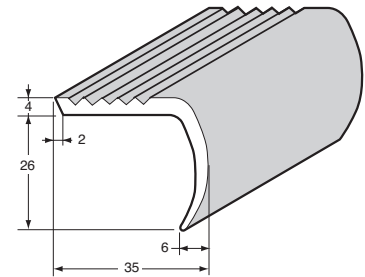
Profil szynowy z surowego aluminium.  
*Raw aluminium track profile without buffer.*

| Nr katalog.<br>Reference | Długość<br>Length |
|--------------------------|-------------------|
| 1636729                  | 5000              |



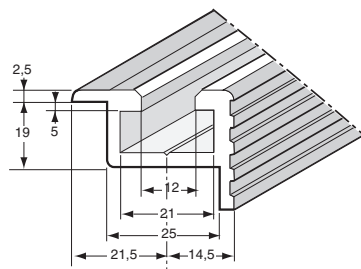
Taśma brzegowa z PVC czarna.  
*Black P.V.C. buffer section.*

| Nr katalog.<br>Reference | Długość<br>Length | Dla<br>For                    |
|--------------------------|-------------------|-------------------------------|
| 1636730                  | 5000              | 1636729<br>1636733<br>1636739 |



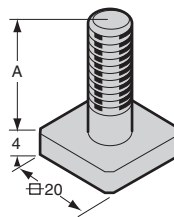
Profil na noski stopni, aluminium anodowane.  
*Anodized aluminium nose for step profile.*

| Nr katalog.<br>Reference | Długość<br>Length |
|--------------------------|-------------------|
| 1636735AN                | 5000              |



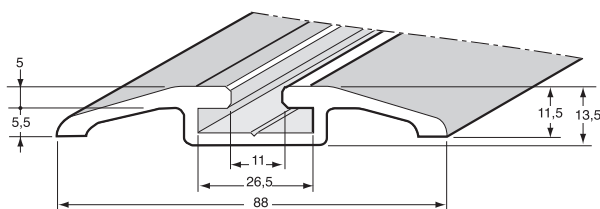
Profil szynowy z surowego aluminium.  
*Raw aluminium track profile without buffer.*

| Nr katalog.<br>Reference | Długość<br>Length |
|--------------------------|-------------------|
| 1636733                  | 5000              |



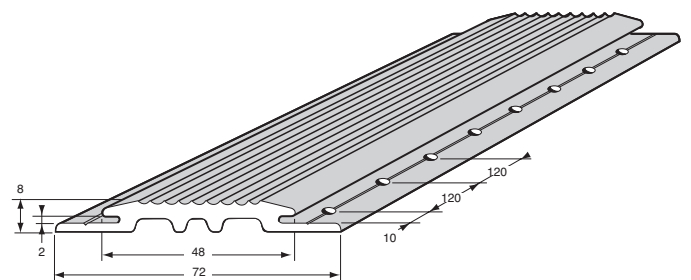
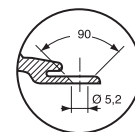
Śruba łeb kwadrat M8 x 20 klasa 8.8 stal ocynk.  
*Zinc plated steel grade 8.8 M8 screw.*

| Nr katalog.<br>Reference | kg    | Ø | Długość<br>Length | Dla<br>For         |
|--------------------------|-------|---|-------------------|--------------------|
| 1636733VI                | 0,018 | 8 | 25                | 1636729<br>1636733 |
| 1636741VI                | 0,018 | 8 | 20                | 1636729<br>1636733 |



Profil szynowy z aluminium anodowanego.  
*Anodized aluminium track profile without buffer.*

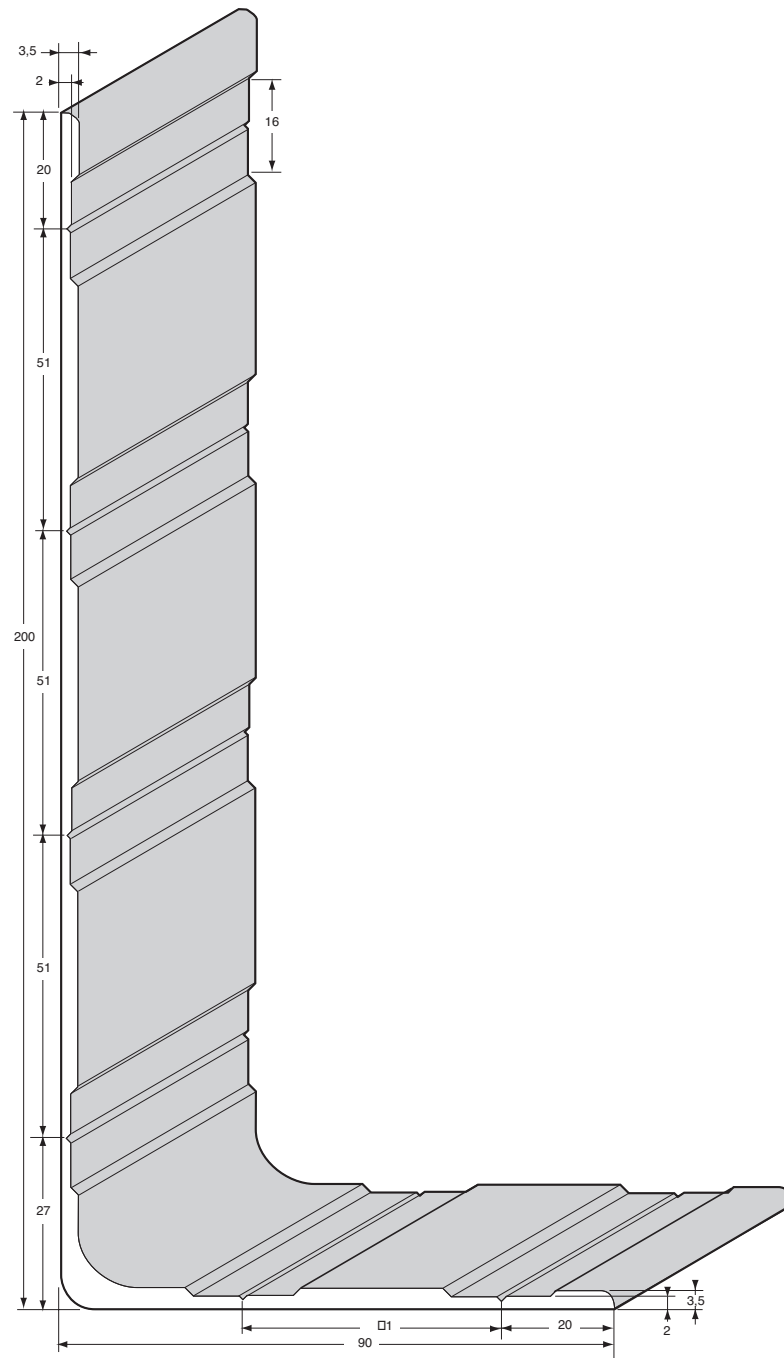
| Nr katalog.<br>Reference | Długość<br>Length |
|--------------------------|-------------------|
| 1636739                  | 5000              |



Profil progu, nawiercony, aluminium surowe.  
*Raw aluminium threshold profile, with holes.*

| Nr katalog.<br>Reference | Długość<br>Length |
|--------------------------|-------------------|
| 1636717                  | 2470              |

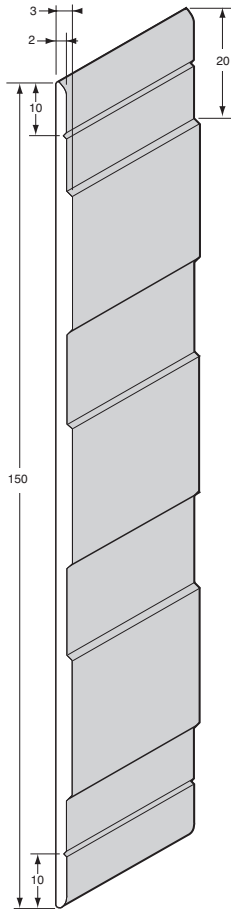
PROGI, LISTWY PRZYŚCIENNE I MOCOWANIE DO PODŁOGI - *DOORSTEP, PLINTH AND TRACK PROFILE*



Profil listwy przyściennej narożny, aluminium surowe.  
 Mill finish aluminium wall protection profiles.

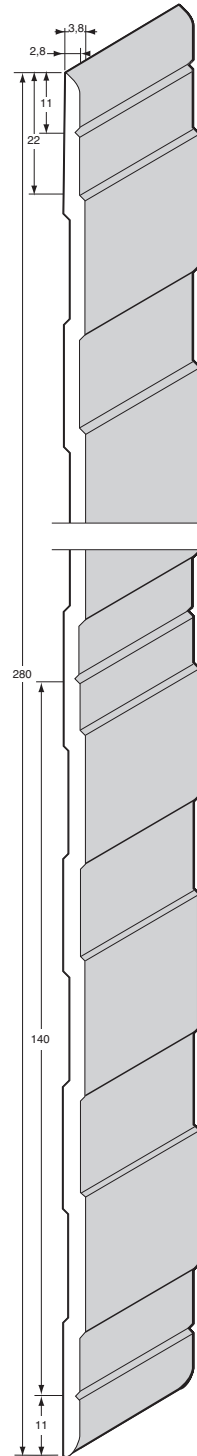
| Nr katalog.<br>Reference | Długość<br>Length |
|--------------------------|-------------------|
| 1636722                  | 5000              |

**PROGI, LISTWY PRZYŚCIENNE I MOCOWANIE DO PODŁOGI - DOORSTEP, PLINTH AND TRACK PROFILE**



Profil listwy przyściennej, aluminium surowe.  
*Mill finish aluminium wall protection profiles.*

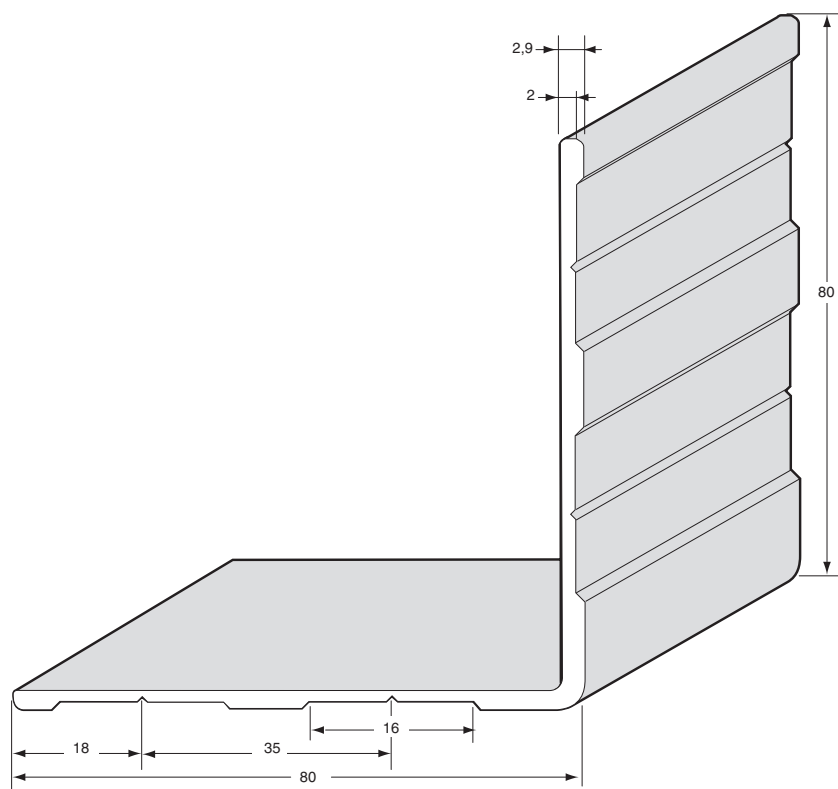
| Nr katalog.<br>Reference | Długość<br>Length |
|--------------------------|-------------------|
| 1636716                  | 5000              |



Profil listwy przyściennej, aluminium surowe.  
*Mill finish aluminium wall protection profiles.*

| Nr katalog.<br>Reference | Długość<br>Length |
|--------------------------|-------------------|
| 1636740                  | 5000              |

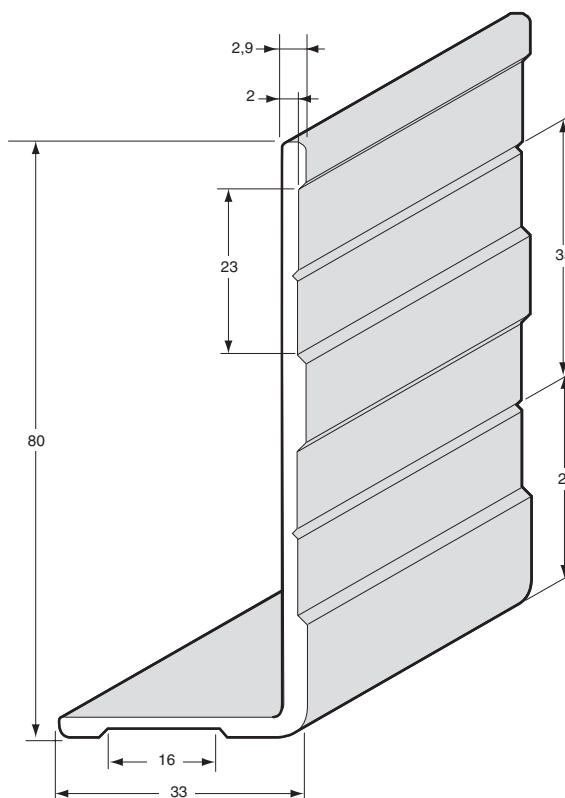
PROFILE DO FURGONÓW I AKCESORIA - VAN PROFILES AND ACCESSORIES



Profil narożny aluminium anodowane.  
Anodized aluminium capping profile.

| Nr katalog.<br>Reference | Długość<br>Length |
|--------------------------|-------------------|
| 1636711AN                | 5000              |

14

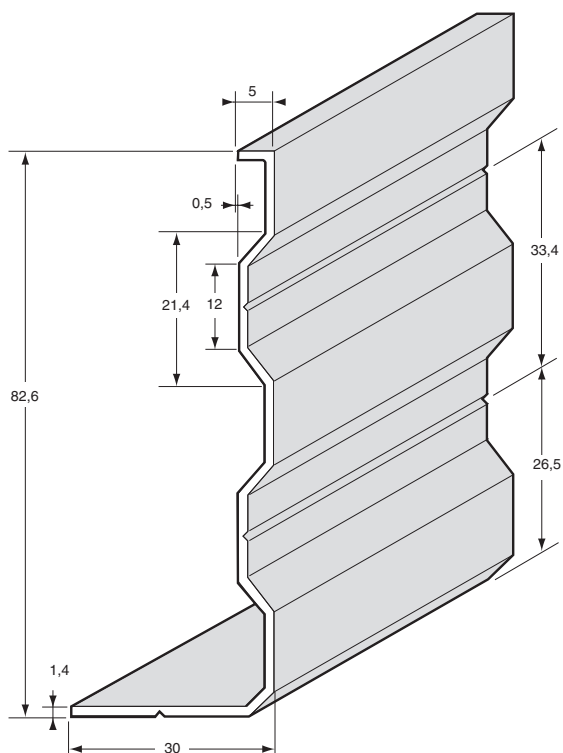


Profil narożny aluminium anodowane.  
Anodized aluminium capping profile.

| Nr katalog.<br>Reference | Długość<br>Length |
|--------------------------|-------------------|
| 1636738                  | 7000              |



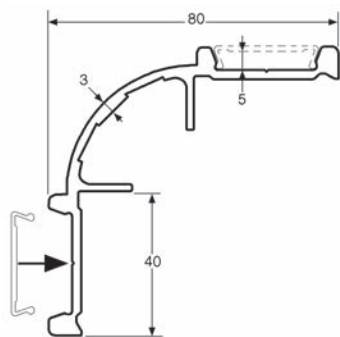
PROFILE DO FURGONÓW I AKCESORIA - *VAN PROFILES AND ACCESSORIES*



Profil narożny aluminium.  
*Aluminium capping profile.*

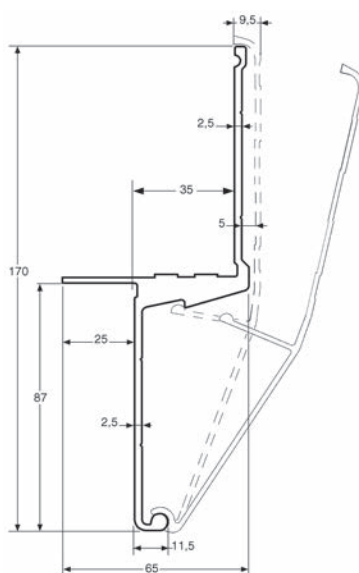
| Nr katalog.<br><i>Reference</i> | Długość<br><i>Length</i> |
|---------------------------------|--------------------------|
| 1636715                         | 5000                     |

PROFILE DO FURGONÓW I AKCESORIA - VAN PROFILES AND ACCESSORIES



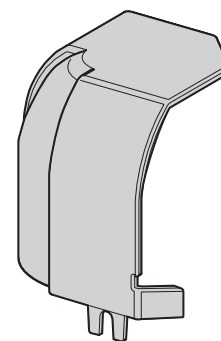
Profil narożny, aluminium anodowane.  
*Corner profile, anodized aluminium.*

| Nr katalog.<br>Reference | Długość<br>Length |
|--------------------------|-------------------|
| 3110343                  | 2600              |
| 3110343A                 | 3000              |



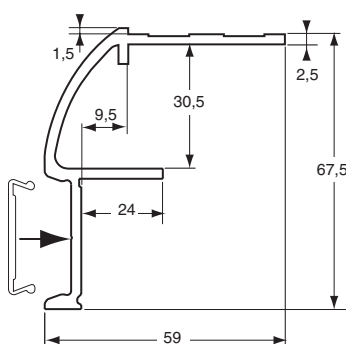
Profil boku, aluminium surowe.  
*Side profile, self colour aluminium.*

| Nr katalog.<br>Reference | Długość<br>Length |
|--------------------------|-------------------|
| 3110340                  | 7500              |
| 3110340A                 | 5000              |



Narożnik górny z szarego kompozytu.  
*Upper corner piece, grey composite.*

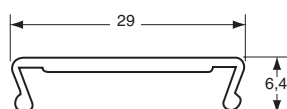
| Nr katalog.<br>Reference | $\frac{Kg}{m}$ | Dla<br>For          |
|--------------------------|----------------|---------------------|
| 3110348                  | 0,07           | 3110343<br>3110343A |



Profil dachu, aluminium anodowane.  
*Roof profile, anodized aluminium.*

| Nr katalog.<br>Reference | Długość<br>Length |
|--------------------------|-------------------|
| 3110345                  | 7500              |
| 3110345A                 | 5000              |

14



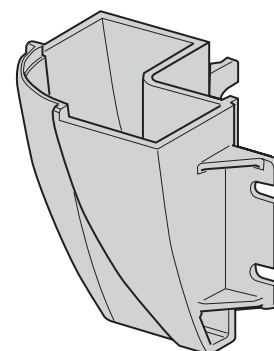
Profil wykończeniowy do krawędzi, do wciskania, aluminium anodowane.  
*Corner finishing profile to be clipped, anodized aluminium.*

| Nr katalog.<br>Reference | Długość<br>Length |
|--------------------------|-------------------|
| 3110344                  | 2650              |
| 3110344A                 | 3000              |



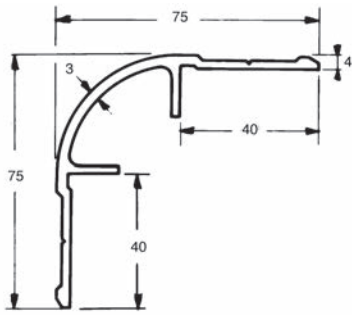
Profil wykończeniowy boku, do wciskania, aluminium anodowane.  
*Side finishing profile to be clipped, anodized aluminium.*

| Nr katalog.<br>Reference | Długość<br>Length |
|--------------------------|-------------------|
| 3110341                  | 7500              |
| 3110341A                 | 5000              |

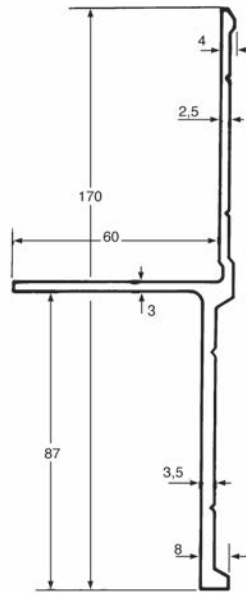


Narożnik dolny z szarego kompozytu.  
*Lower corner piece, grey composite.*

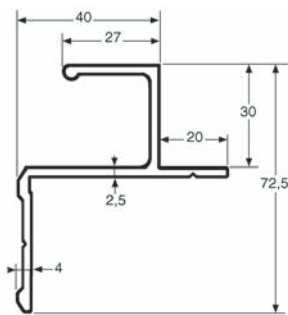
| Nr katalog.<br>Reference | $\frac{Kg}{m}$ | Dla<br>For          |
|--------------------------|----------------|---------------------|
| 3110342                  | 0,1            | 3110343<br>3110343A |

**PROFILE DO FURGONÓW I AKCESORIA - VAN PROFILES AND ACCESSORIES**

 Profil narożny.  
*Corner profile.*

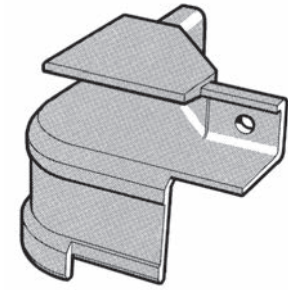
| Nr katalog.<br>Reference | Długość<br>Length | Zakończyć<br>Finish     |
|--------------------------|-------------------|-------------------------|
| 3110217                  | 5200              | Brutto<br>Raw           |
| 3110217AN                | 5200              | Anodyzowane<br>Anodized |



 Profil boku.  
*Aluminium side profile.*

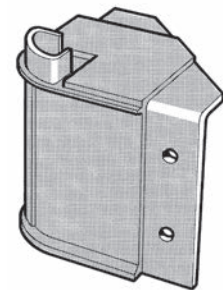
| Nr katalog.<br>Reference | Długość<br>Length | Zakończyć<br>Finish     |
|--------------------------|-------------------|-------------------------|
| 3110216                  | 7500              | Brutto<br>Raw           |
| 3110216AN                | 7500              | Anodyzowane<br>Anodized |


 Profil dachowy.  
*Aluminium roof profile.*

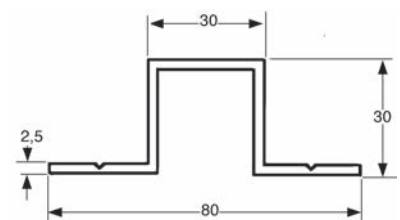
| Nr katalog.<br>Reference | Długość<br>Length | Zakończyć<br>Finish     |
|--------------------------|-------------------|-------------------------|
| 3110218                  | 7500              | Brutto<br>Raw           |
| 3110218AN                | 7500              | Anodyzowane<br>Anodized |


 Narożnik górny, aluminium surowe.  
*Upper corner piece, self colour aluminium.*

| Nr katalog.<br>Reference |  Kg | Dla<br>For           |
|--------------------------|--|----------------------|
| 3110222                  | 0,232  | 3110217<br>3110217AN |


 Narożnik dolny, aluminium surowe.  
*Lower corner piece, self colour aluminium.*

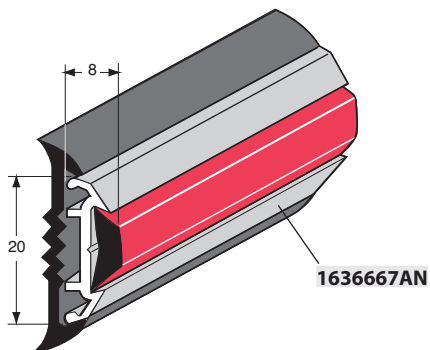
| Nr katalog.<br>Reference |  Kg | Dla<br>For           |
|--------------------------|--|----------------------|
| 3110221                  | 0,268  | 3110217<br>3110217AN |


 Profil "omega", aluminium surowe.  
*Self colour aluminium omega profile.*

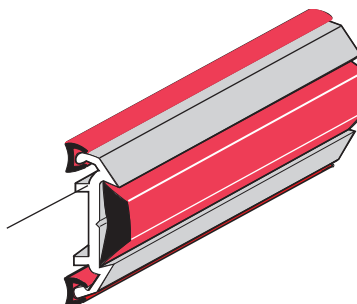
| Nr katalog.<br>Reference | Długość<br>Length | Dla<br>For                                  |
|--------------------------|-------------------|---|
| 3110220                  | 5000              | 3110218<br>3110218AN<br>3110345<br>3110345A |

PROFILE DEKORACYJNE I ZABEZPIEZAJĄCE - *PROTECTIVE AND DECORATIVE PROFILES*

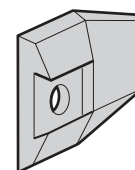
Do tego profilu brak krańcowych zaślepek.  
*No end finisher for this profile.*



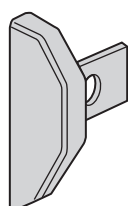
Profil z gumową, czarną stopką 1636495 i listwą ochronną z PCW 1636795.  
*With black rubber sole 1636495 and P.V.C. buffer section 1636795.*



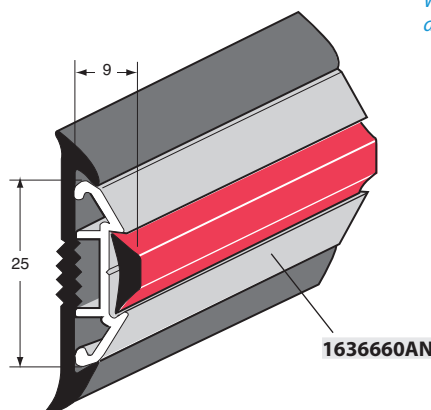
Profil z 2. uszczelkami z PCW 1636522 i listwą ochronną z PCW 1636795.  
*With P.V.C. edge seal 1636522 and P.V.C. buffer section 1636795.*



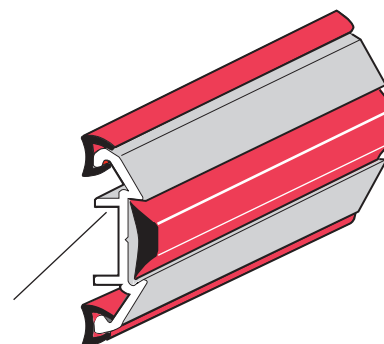
**1636667EA**  
Końcówka profilu, aluminium anodowane.  
*Anodized aluminium end cap.*



**1636660AR**  
Zaślepka profilu, aluminium anodowane.  
*Anodized aluminium end finisher.*

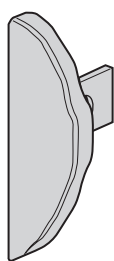


Profil z gumową, czarną stopką 1636492 i listwą ochronną z PCW 1636795.  
*With black rubber sole 1636492 and P.V.C. buffer section 1636795.*

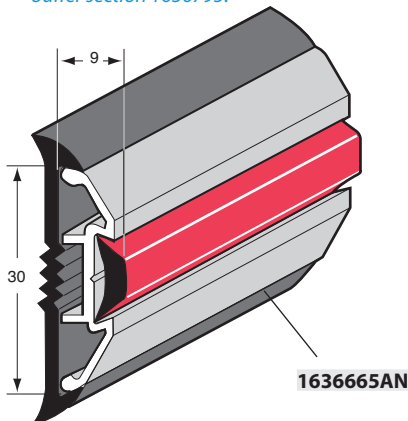


Profil z 2. uszczelkami z PCW 1636522 i listwą ochronną z PCW 1636795.  
*With P.V.C. edge seal 1636522 and P.V.C. buffer section 1636795.*

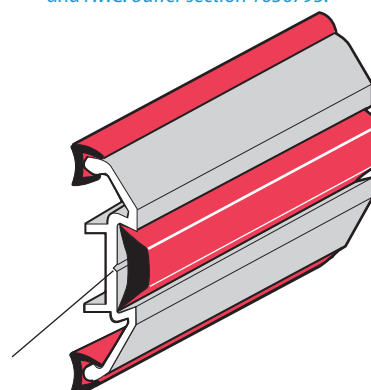
14



**1636665AR**  
Zaślepka profilu, aluminium anodowane.  
*Anodized aluminium end finisher.*



Ze stopką z czarnej gumy 1636494 oraz taśmą z PCW 1636795.  
*With black rubber sole 1636494 and P.V.C. buffer section 1636795.*



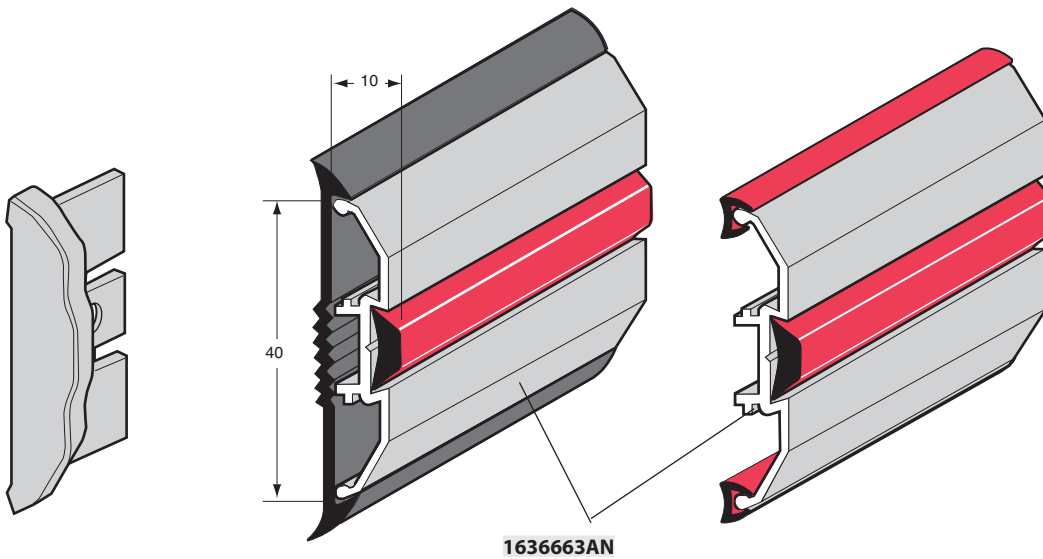
Profil z 2. uszczelkami z PCW 1636522 i listwą ochronną z PCW 1636795.  
*With P.V.C. edge seal 1636522 and P.V.C. buffer section 1636795.*

Profile aluminiowe magazynowane są w postaci prętów listew o długości 5 m.  
*These aluminium profiles are stocked in 5 m length.*

W zamówieniu prosimy podać numery katalogowe i kolory wybranych uszczelki oraz listew ochronnych.  
*Please can you indicate number and colour of the rubber section and edge seal.*

| Dostępne kolory<br><i>Available colours</i>    | Czerwona<br><i>Red</i><br>RO | Czarna<br><i>Black</i><br>NO | Niebieska<br><i>Blue</i><br>BL |
|--|------------------------------|------------------------------|--------------------------------|
| Uszczelka 1636522<br><i>Edge seal 1636522</i>  | X                            | X                            | -                              |
| Keder 1636795<br><i>Buffer section 1636795</i> | X                            | X                            | -                              |

**PROFILE DEKORACYJNE I ZABEZPIEZAJĄCE - *PROTECTIVE AND DECORATIVE PROFILES***



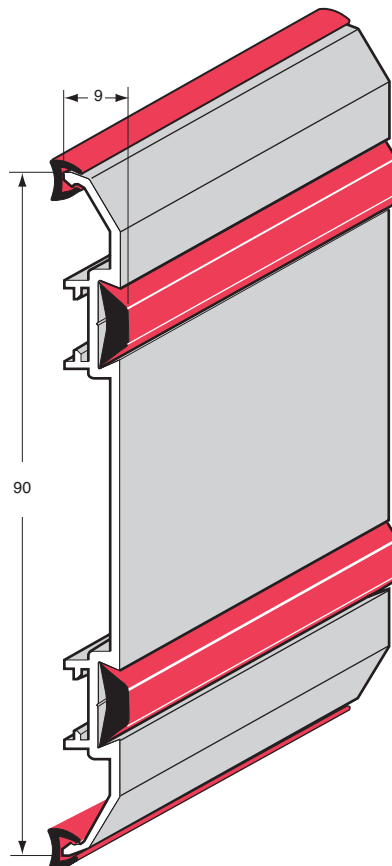
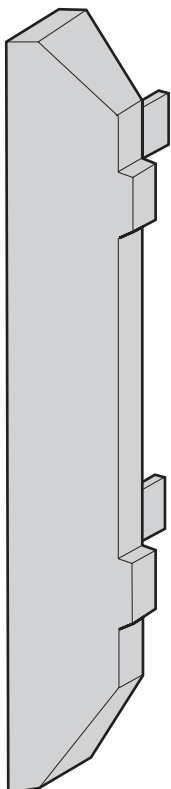
**163663AN**

**163663AR**  
Zaślepka profilu, aluminium anodowane.  
*Anodized aluminium end finisher.*

Ze stopą z czarnej gumy 1636497 oraz taśmą z PCW 1636795.  
*With black rubber sole 1636497 and P.V.C. buffer section 1636795.*

Profil z 2. uszczelkami z PCW 1636522 i listwą ochronną z PCW 1636795.  
*With P.V.C. edge seal 1636522 and P.V.C. buffer section 1636795.*

**1636780AR**  
Zaślepka profilu, poliamid w kolorze anodowanego aluminium.  
*Polyamide end finisher anodized colour.*



Do tego profilu brak końcowych zaślepek.  
*No end cap for this profile*

**1636780AN**

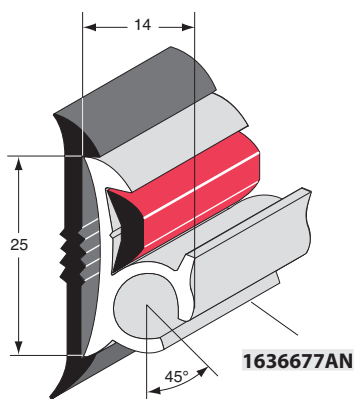
Profil z 2. uszczelkami z PCW 1636522 i listwą ochronną z PCW 1636795.  
*With P.V.C. edge seal 1636522 and P.V.C. buffer section 1636795.*

W zamówieniu prosimy podać numery katalogowe i kolory wybranych uszczelkek oraz listew ochronnych.  
*Please can you indicate number and colour of the rubber section and edge seal.*

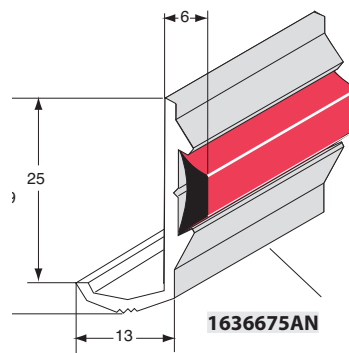
Profile aluminiowe magazynowane są w postaci listew o długości p5 m.  
*These aluminium profiles are stocked in 5 m length.*

| Dostępne kolory<br><i>Available colours</i>              | Czerwona<br><i>Red</i><br>RO | Czarna<br><i>Black</i><br>NO |
|--|------------------------------|------------------------------|
| Uszczelka 1636522<br><i>Edge seal 1636522</i>            | X                            | X                            |
| Listwa ochronna 1636795<br><i>Buffer section 1636795</i> | X                            | X                            |

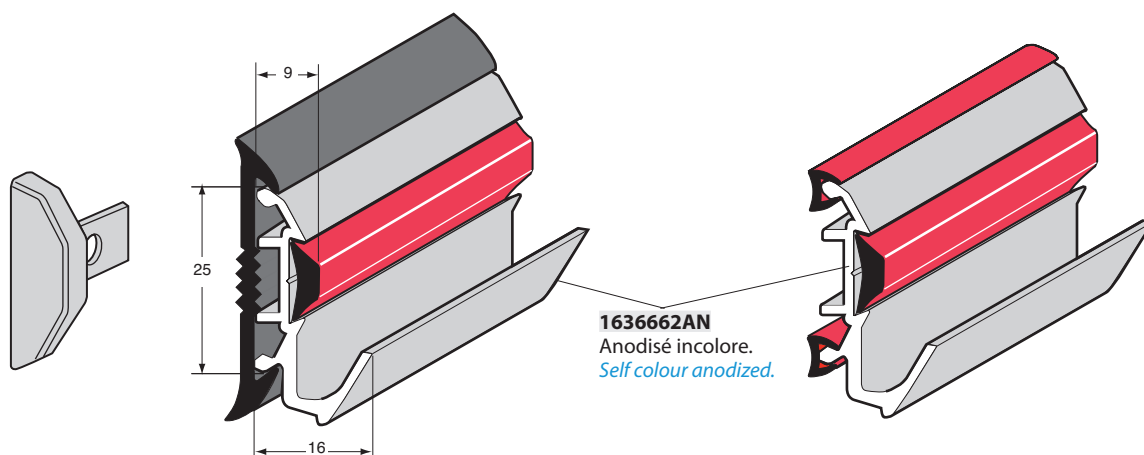
PROFILE DEKORACYJNE I ZABEZPIEZAJĄCE - *PROTECTIVE AND DECORATIVE PROFILES*



1636677AN  
Profil z czarną stopką gumową 1636492 i listwą ochronną z PCW 1636795.  
*With black rubber sole 1636492 and P.V.C. buffer section 1636795.*



1636675AN  
Profil z czarną stopką gumową 1636500 i listwą ochronną z PCW 1636795.  
*With black rubber sole 1636500 and P.V.C. buffer section 1636795.*



1636660AR  
Zaślepka profilu, aluminium anodowane  
*Anodized aluminium end finisher.*

1636662AN  
Anodisè incolore.  
*Self colour anodized.*  
Profil z czarną stopką gumową 1636492 i listwą ochronną z PCW 1636795.  
*With black rubber sole 1636492 and P.V.C. buffer section 1636795.*

Z osłoną z PCW 1636522 oraz taśmą z PCW 1636795.  
*With P.V.C. edge seal 1636522 and P.V.C. buffer section 1636795.*

14

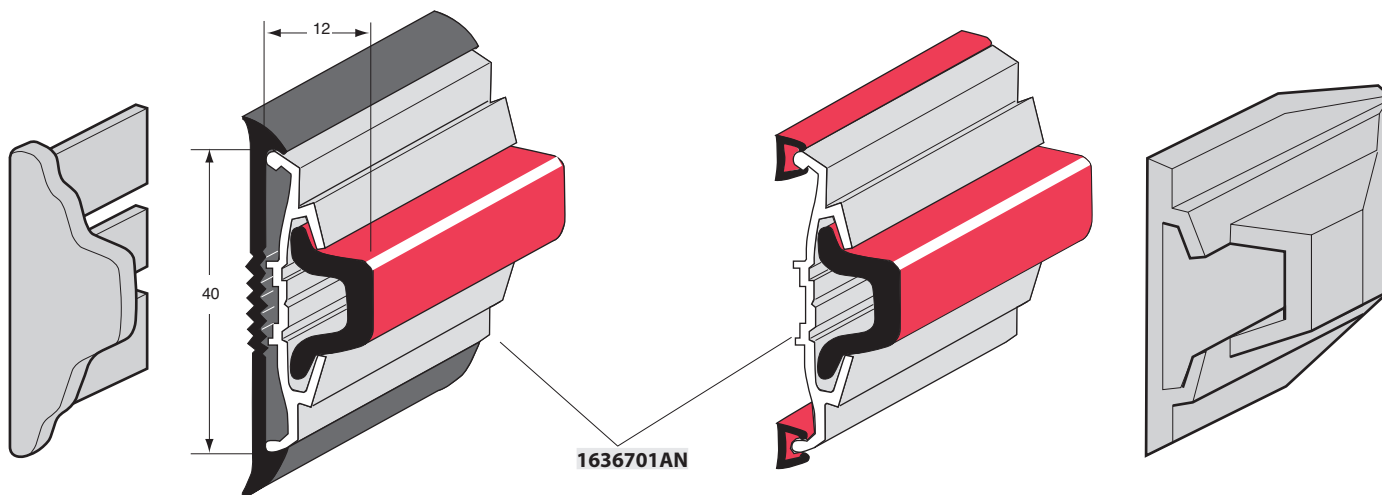
W zamówieniu prosimy podać numery katalogowe i kolory wybranych uszczelki oraz listew ochronnych.  
*Please can you indicate number and colour of the rubber section and edge seal.*

Profile aluminiowe magazynowane są w postaci listew o długości 5 m.  
*These aluminium profiles are stocked in 5 m length.*

| Dostępne kolory<br><i>Available colours</i>              | Czerwona<br><i>Red</i><br>RO | Czarna<br><i>Black</i><br>NO |
|--|------------------------------|------------------------------|
| Uszczelka 1636522<br><i>Edge seal 1636522</i>            | X                            | X                            |
| Listwa ochronna 1636795<br><i>Buffer section 1636795</i> | X                            | X                            |

**PROFILE DEKORACYJNE I ZABEZPIEZAJĄCE - *PROTECTIVE AND DECORATIVE PROFILES***

Profile aluminiowe magazynowane są w postaci listew o długości p5 m.  
*These aluminium profiles are stocked in 5 m length.*



**1636701AR**  
Zaślepka profilu, aluminium anodowane.  
*Anodized aluminium end finisher.*

Profil z czarną stopką gumową 1636497 i listwą ochronną z PCW 1636793.  
*With black rubber sole 1636497 and P.V.C. buffer section 1636793.*

**1636701AN**

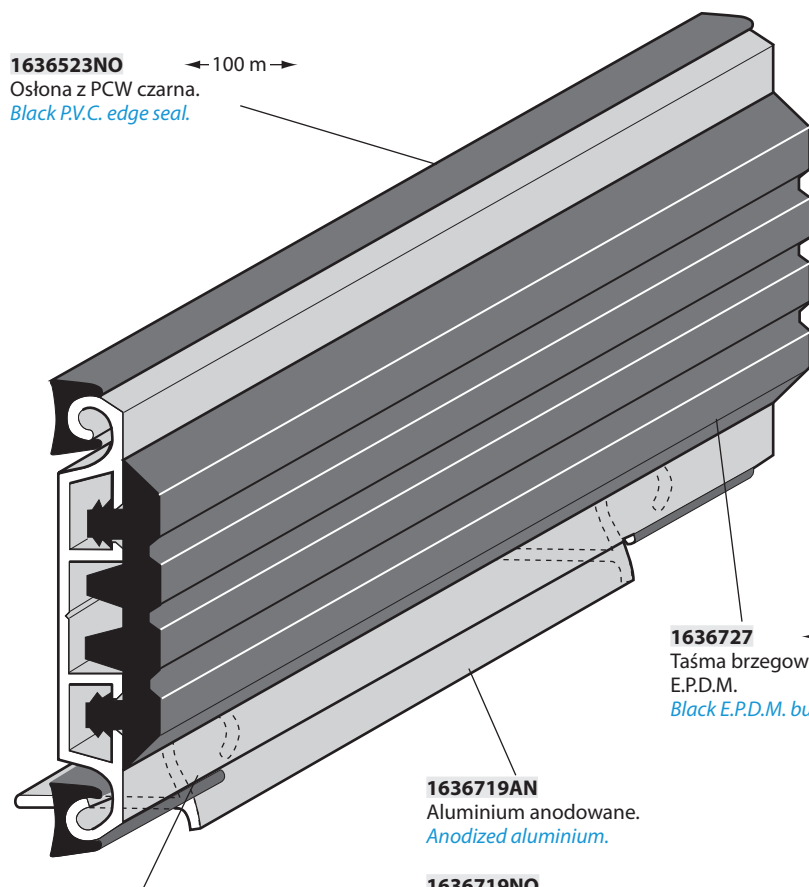
Profil z 2. uszczelkami gumowymi 1636522 i listwą ochronną z PCW 1636793.  
*With P.V.C. edge seal 1636522 and P.V.C. buffer section 1636793.*

**1636701EA**  
Końcówka profilu, aluminium anodowane.  
*Anodized aluminium end cap.*

W zamówieniu prosimy podać numery katalogowe i kolory wybranych uszczelki oraz listew ochronnych.  
*Please can you indicate number and colour of the rubber section and edge seal.*

| Dostępne kolory<br><i>Available colours</i>             | Czerwona<br><i>Red</i><br>RO | Czarna<br><i>Black</i><br>NO |
|---|------------------------------|------------------------------|
| Taśma brzegowa 1636791<br><i>Buffer section 1636791</i> | -                            | X                            |
| Uszczelka 1636793<br><i>Buffer section 1636793</i>      | X                            | X                            |
| Listwa ochronna 1636522<br><i>Edge seal 1636522</i>     | X                            | X                            |

PROFILE DEKORACYJNE I ZABEZPIEZAJĄCE - *PROTECTIVE AND DECORATIVE PROFILES*



**1636523NO** ← 100 m →  
Ostona z PCW czarna.  
*Black P.V.C. edge seal.*

**1636727** ← 25 m →  
Taśma brzegowa z czarnej gumy  
E.P.D.M.  
*Black E.P.D.M. buffer section.*

**1636719AN**  
Aluminium anodowane.  
*Anodized aluminium.*

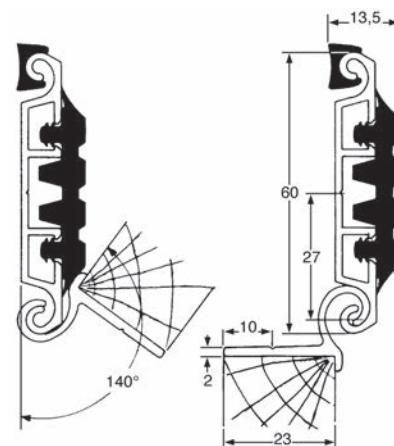
**1636719NO**  
Aluminium anodowane czarne matowe.  
*Black anodized aluminium.*

**1636725AN**  
Profil boczny, aluminium anodowane.  
*Anodized aluminium.*

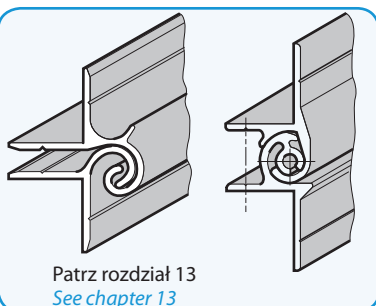
**1636725NO**  
Profil boczny, aluminium anodowane  
na czarno.  
*Anodized aluminium hinge.*



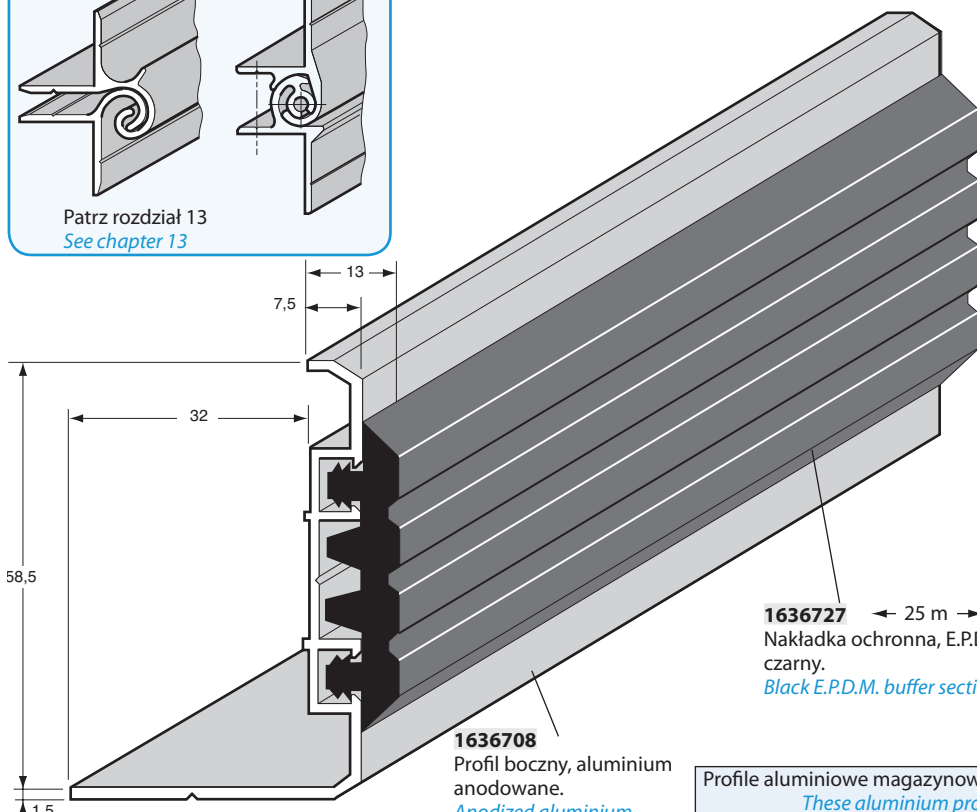
**1636725AR**  
Końcówka z nylonu, czarna.  
*Black nylon end finisher.*



14



Patrz rozdział 13  
*See chapter 13*



**1636727** ← 25 m →  
Nakładka ochronna, E.P.D.M.,  
czarna.  
*Black E.P.D.M. buffer section.*

**1636708**  
Profil boczny, aluminium  
anodowane.  
*Anodized aluminium.*

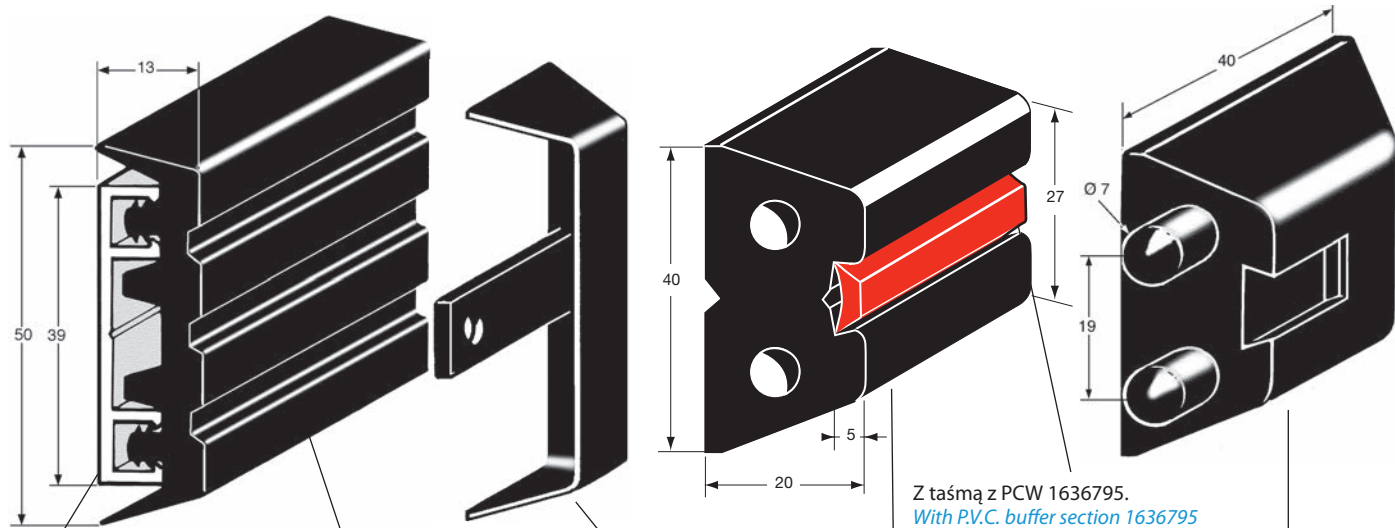


**1636725AR**  
Końcówka z nylonu, czarna.  
*Black nylon end finisher.*

Profile aluminiowe magazynowane są w postaci prętów o długości 5 m.  
*These aluminium profiles are stocked in 5 m length.*



**PROFILE DEKORACYJNE I ZABEZPIECZAJĄCE - *PROTECTIVE AND DECORATIVE PROFILES***



**1636723BR** ← 5 m →  
Aluminium surowe.  
*Raw aluminium.*

**1636726** ← 20 m →  
Nakładka ochronna, E.P.D.M.,  
czarny.  
*Black E.P.D.M. buffer section.*

**1636723AR**  
Końcówka z czarnego  
nylonu.  
*Black nylon end  
finisher*

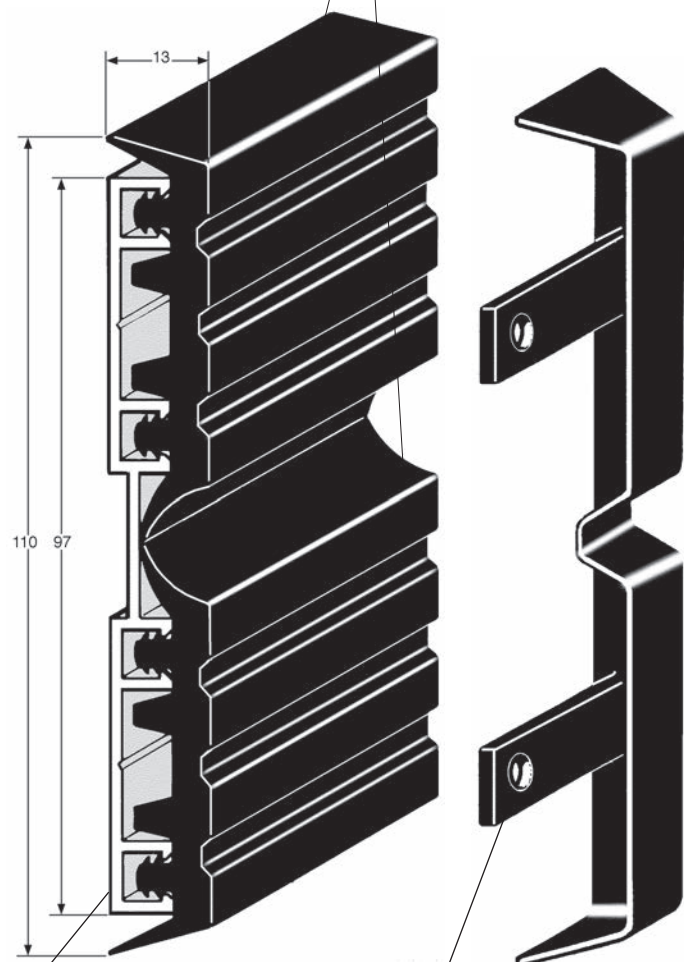
**1636736** ← 5 m →  
Nakładka ochronna z czar-  
nego, półsztywnego PCW.  
*Semi-rigid black P.V.C. profile.*

**1636736E**  
Zaślepka z nylonu, czarna.  
*Black plastic end cap.*

Z taśmą z PCW 1636795.  
*With P.V.C. buffer section 1636795*

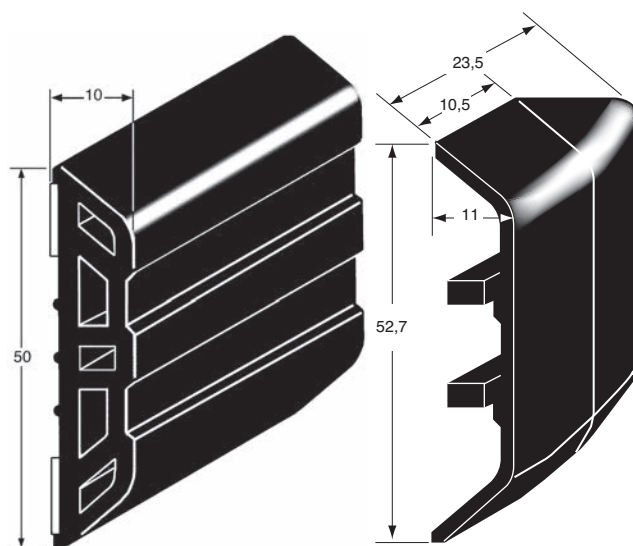
W zamówieniu prosimy podać numery katalogowe i kolory  
wybranych uszczeliek oraz listew ochronnych.  
*Please can you indicate number and colour of the rubber section  
and edge seal.*

| Dostępne kolory<br><i>Available colours</i>              | Czerwona<br><i>Red</i><br>RO | Czarna<br><i>Black</i><br>NO |
|--|------------------------------|------------------------------|
| Listwa ochronna 1636795<br><i>Buffer section 1636795</i> | X                            | X                            |



**1636724BR** ← 5 m →  
Aluminium surowe.  
*Raw aluminium.*

**1636724AR**  
Zaślepka z nylonu, czarna.  
*Black nylon end finisher*



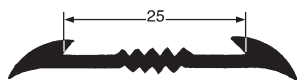
PCW półsztywny czarny samoprzylepny.  
*Adhesive semi-rigid black P.V.C. profile*

**1636737** ← 10 m →  
**1636751** ← 25 m →

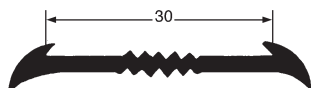
**1636737E**  
Końcówka z A.B.S. czarna z  
warstwą samoprzylepną.  
*Black A.B.S. adhesive end cap.*

PROFILE DEKORACYJNE I ZABEZPIEZAJĄCE - *PROTECTIVE AND DECORATIVE PROFILES*

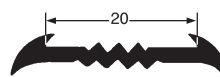
STOPY GUMOWE W KRĘGACH PO 25 M.  
RUBBER SOLES IN COILS OF 25 m.



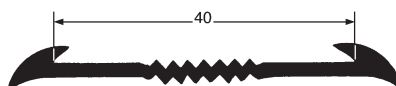
1636492



1636494

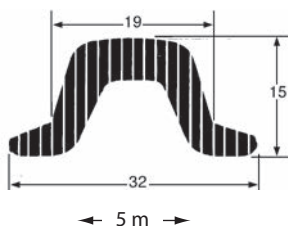


1636495

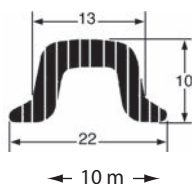


1636497

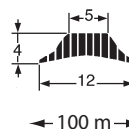
PROFILE LISTW OCHRONNYCH Z PCW  
P.V.C. BUFFER SECTIONS



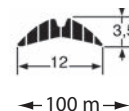
← 5 m →



← 10 m →



← 100 m →



← 100 m →

14

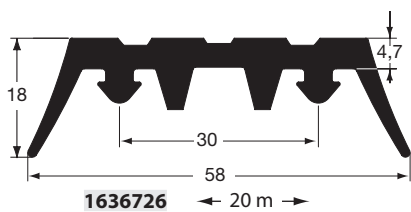
| Nr katalogowy<br>Reference | Kolor<br>Colours |
|----------------------------|------------------|
| 1636791NO                  | Czarny - Black   |

| Nr katalogowy<br>Reference | Kolor<br>Colours |
|----------------------------|------------------|
| 1636793RO                  | Czerwony - Red   |
| 1636793NO                  | Czarny - Black   |

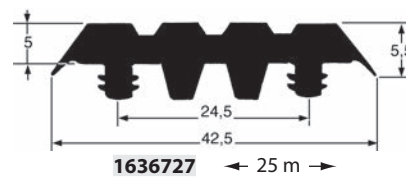
| Nr katalogowy<br>Reference | Kolor<br>Colours |
|----------------------------|------------------|
| 1636795RO                  | Czerwony - Red   |
| 1636795NO                  | Czarny - Black   |

| Nr katalogowy<br>Reference | Kolor<br>Colours |
|----------------------------|------------------|
| 1636798GR                  | Szary - Grey     |

TAŚMY BRZEGOWE GUMOWE  
RUBBER BUFFER SECTIONS

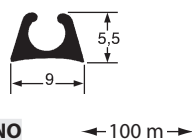


1636726 ← 20 m →



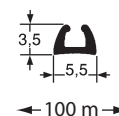
1636727 ← 25 m →

OSŁONY KRAWĘDZI Z PCW  
P.V.C. EDGE



1636523NO  
Kolor czarny.  
Black colour.

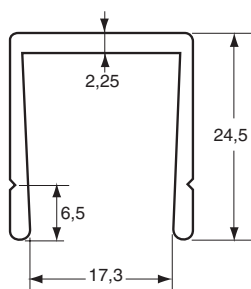
← 100 m →



← 100 m →

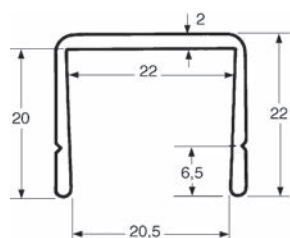
| Nr katalogowy<br>Reference | Kolor<br>Colours |
|----------------------------|------------------|
| 1636522RO                  | Czerwony - Red   |
| 1636522NO                  | Czarny - Black   |

**RAMY I DRZWI ZAWIASOWE - FRAMES**



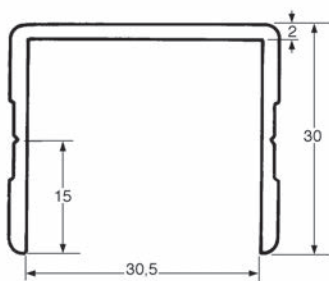
Profil ramy, aluminium surowe.  
*Self colour aluminium profile.*

| Nr katalog.<br>Reference | Długość<br>Length |
|--------------------------|-------------------|
| 3110203                  | 5000              |



Profil ramy, aluminium surowe.  
*Self colour aluminium profile.*

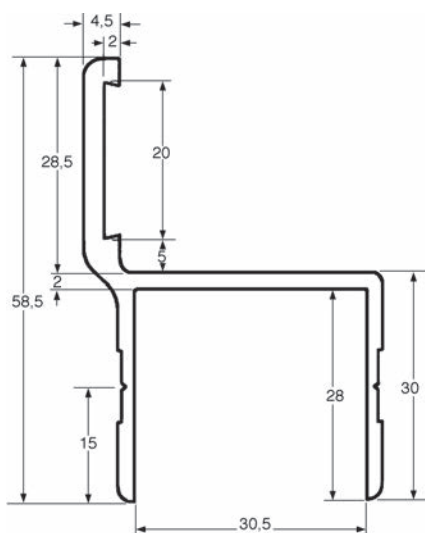
| Nr katalog.<br>Reference | Długość<br>Length |
|--------------------------|-------------------|
| 3110201                  | 5000              |



Profil ramy, aluminium surowe.  
*Self colour aluminium profile.*

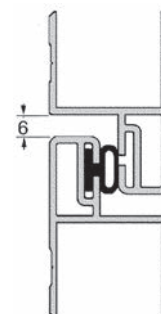
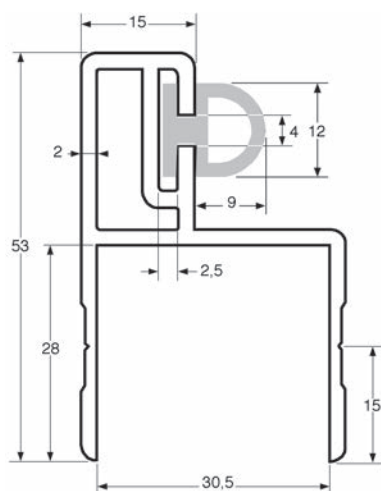
| Nr katalog.<br>Reference | Długość<br>Length |
|--------------------------|-------------------|
| 3110207                  | 5000              |

**RAMY I DRZWI ZAWIASOWE - FRAMES**



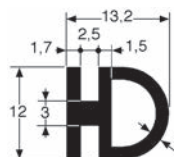
Profil ramy z wypustem, aluminiowy anodowany.  
*Anodized aluminium profile.*

| Nr katalog.<br><i>Reference</i> | Długość<br><i>Length</i> |
|---------------------------------|--------------------------|
| 3110206AN                       | 5000                     |



Profil ramy z wypustem, aluminiowy anodowany.  
*Anodized aluminium profile.*

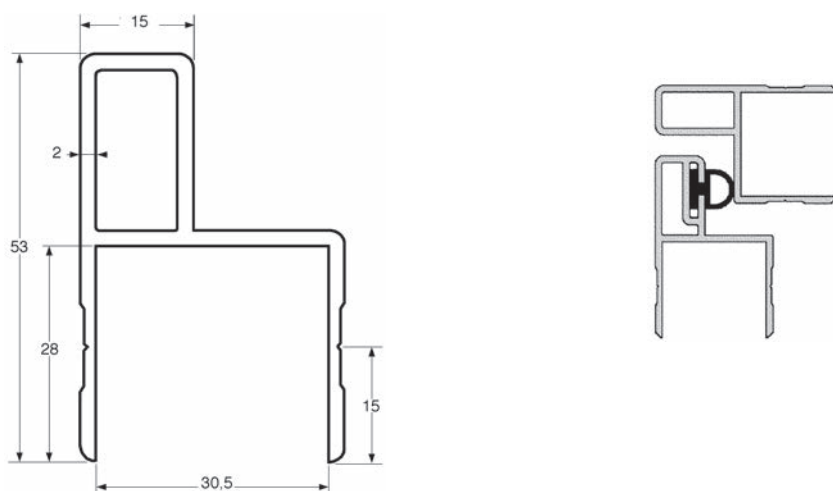
| Nr katalog.<br><i>Reference</i> | Długość<br><i>Length</i> |
|---------------------------------|--------------------------|
| 3110208AN                       | 5000                     |



Uszczelki EPDM.  
*Black EPDM seal.*

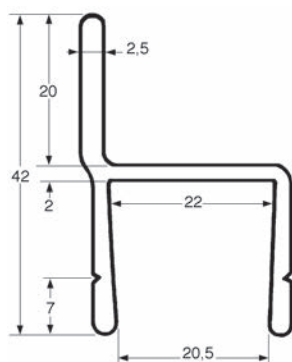
| Nr katalog.<br><i>Reference</i> | Długość<br><i>Length</i> |
|---------------------------------|--------------------------|
| 1232557                         | 25000                    |

**RAMY I DRZWI ZAWIASOWE - FRAMES**



Profil ramy z wypustem, aluminiowy anodowany.  
*Anodized aluminium profile.*

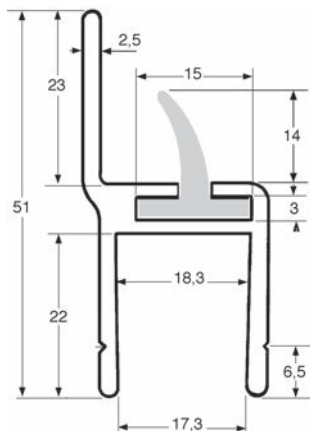
| Nr katalog.<br><i>Reference</i> | Długość<br><i>Length</i> |
|---------------------------------|--------------------------|
| 3110209AN                       | 5000                     |



Profil ramy z wypustem, aluminiowy surowy.  
*Self colour aluminium profile.*

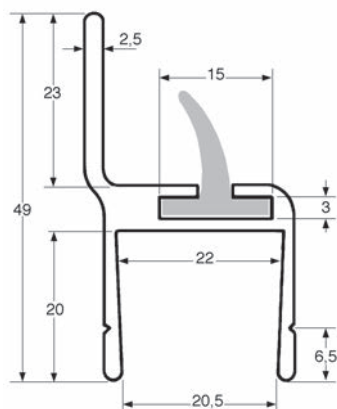
| Nr katalog.<br><i>Reference</i> | Długość<br><i>Length</i> |
|---------------------------------|--------------------------|
| 3110205                         | 5000                     |

**RAMY I DRZWI ZAWIASOWE - FRAMES**



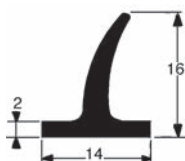
Profil ramy z wypustem, aluminiowy surowy.  
*Self colour aluminium profile.*

| Nr katalog.<br><i>Reference</i> | Długość<br><i>Length</i> |
|---------------------------------|--------------------------|
| 3110202                         | 5000                     |



Profil ramy z wypustem, aluminiowy surowy.  
*Self colour aluminium profile.*

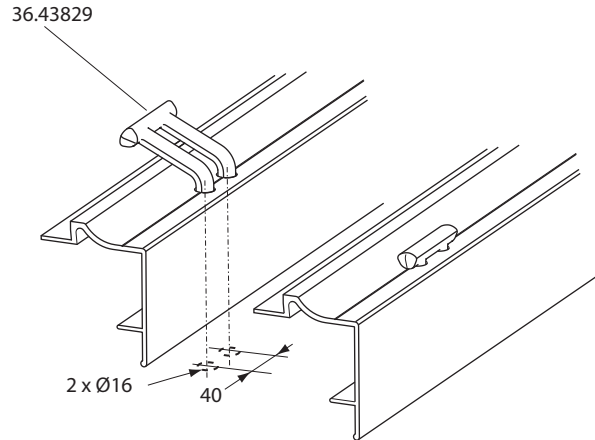
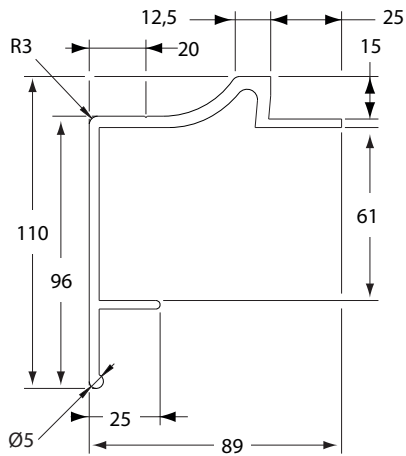
| Nr katalog.<br><i>Reference</i> | Długość<br><i>Length</i> |
|---------------------------------|--------------------------|
| 3110200                         | 5000                     |



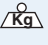
Uszczelki E.P.D.M. czarny.  
*Black E.P.D.M.*

| Nr katalog.<br><i>Reference</i> | Długość<br><i>Length</i> |
|---------------------------------|--------------------------|
| 1232543                         | 25                       |

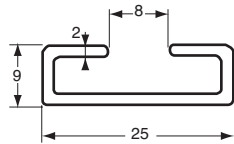
**NAROŻNIK I PODŁOGA - SIDE RAVE AND FLOOR PROFILES**



Profil boczny, aluminium surowe.  
*Side rave profil, raw aluminium.*

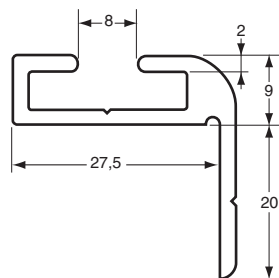
| Nr katalog.<br><i>Reference</i> |  Długość<br><i>Length</i> |
|---------------------------------|--|
| 3110510                         | 2,250 5000   |

**ALUMINIOWY PROFIL MOCOWANIA USZCZELKI KLAPY - ALUMINIUM PROFIL FOR TAIL**



Profil aluminiowy surowy.  
*Self colour aluminium profil.*

| Nr katalog.<br><i>Reference</i> | Długość<br><i>Length</i> | Dla<br><i>For</i>                        |
|---------------------------------|--------------------------|--|
| 1637597                         | 4                        | 1232560<br>1203173<br>1203174<br>1232554 |



Profil aluminiowy surowy.  
*Self colour aluminium profil.*

| Nr katalog.<br><i>Reference</i> | Długość<br><i>Length</i> | Dla<br><i>For</i>                        |
|---------------------------------|--------------------------|--|
| 1637598                         | 4                        | 1232560<br>1203173<br>1203174<br>1232554 |





## **BURTY I AKCESORIA**

Burty, kłonicie, zaczepy, zawiasy, zamknięcia

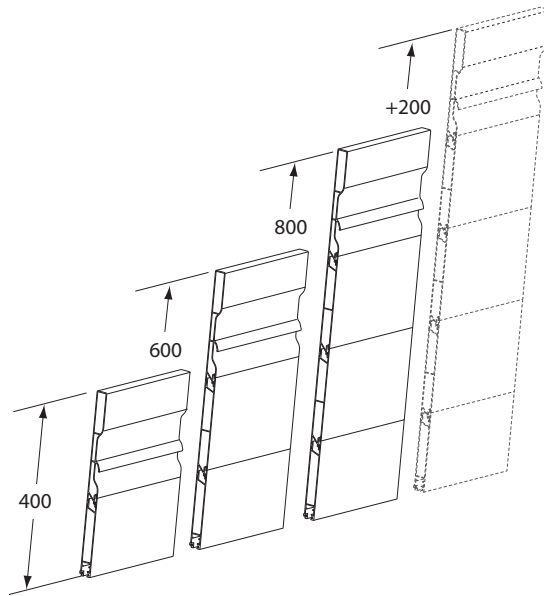
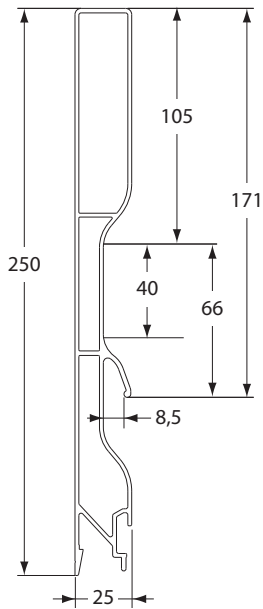
## ***DROPSIDES AND ACCESSORIES***

*Drop sides, pillars, keepers, hinges, locks*



15

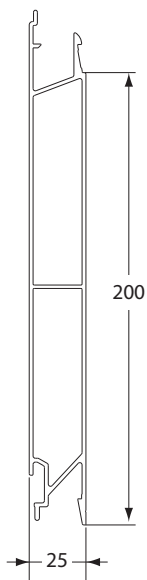


**PROFILE Z ALUMINIUM - ALUMINIUM PROFILE**


Profil górny burty bocznej 250 mm.

*Top dropside profile.*

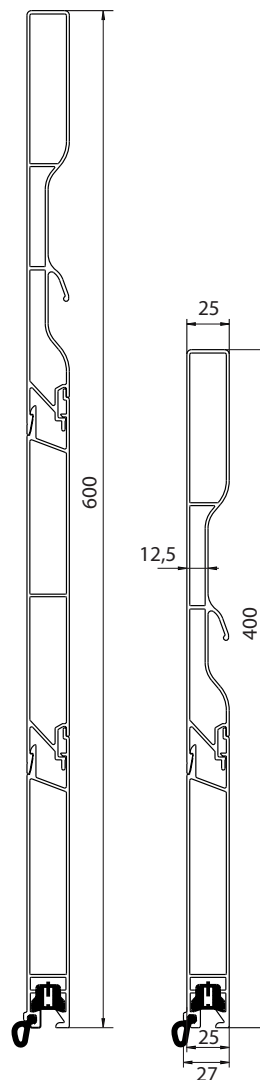
| Nr katalog.<br><i>Reference</i> | Długość<br><i>Length</i> | Zakończyć<br><i>Finish</i> |
|---------------------------------|--------------------------|----------------------------|
| 3110501                         | 6500                     | Brutto<br>Raw              |
| 3110501AN                       | 6500                     | Anodyzowane<br>Anodized    |



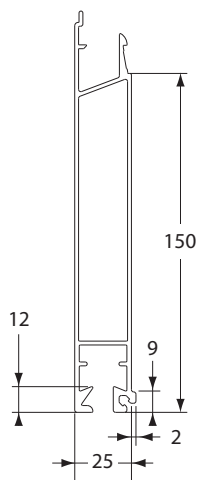
Profil dodatkowy burty bocznej 200 mm.

*Intermediate dropside profile 200 mm.*

| Nr katalog.<br><i>Reference</i> | Długość<br><i>Length</i> | Zakończyć<br><i>Finish</i> |
|---------------------------------|--------------------------|----------------------------|
| 3110502                         | 6500                     | Brutto<br>Raw              |
| 3110502AN                       | 6500                     | Anodyzowane<br>Anodized    |

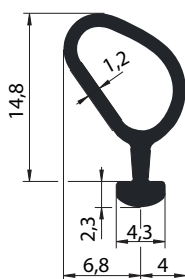
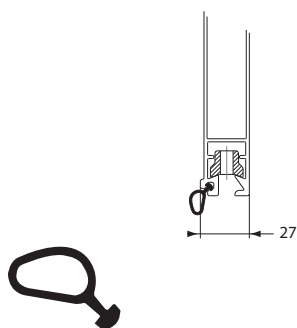


**PROFILE Z ALUMINIUM - ALUMINIUM PROFILE**



Profil burty dolny, 150 mm.  
*Dropside foot profile, 150 mm.*

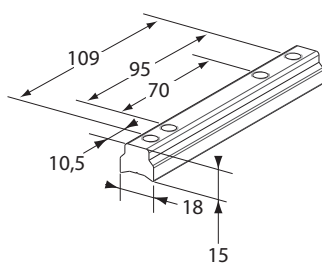
| Nr katalog.<br><i>Reference</i> | Długość<br><i>Length</i> | Zakończyć<br><i>Finish</i>     |
|---------------------------------|--------------------------|--------------------------------|
| 3110500                         | 6500                     | Brutto<br><i>Raw</i>           |
| 3110500AN                       | 6500                     | Anodyzowane<br><i>Anodized</i> |



Prowadnica szyby E.P.D.M. stopy burty czarny.  
*E.P.D.M. black seal for drop side foot.*

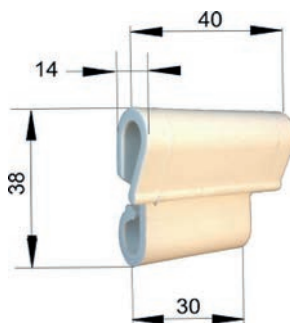
| Nr katalog.<br><i>Reference</i> |       |
|---------------------------------|-------|
| 1232544                         | 0,060 |

15



Płytkę z aluminium surowego do zaczepu burty.  
*Self colour aluminium brace for drop side hinge.*

| Nr katalog.<br><i>Reference</i> |       |
|---------------------------------|-------|
| 3543657BA                       | 0,070 |



Hak burty z białego plastiku do naciągu gumowego i plandek.  
*Dropside white plastic hook for rubber spring and tarpaulin.*

| Nr katalog.<br><i>Reference</i> |       |
|---------------------------------|-------|
| 3110501CR                       | 0,009 |

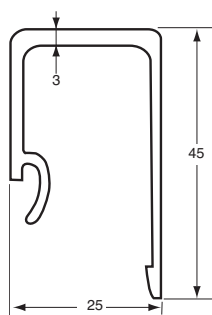
**PROFILE Z ALUMINIUM - ALUMINIUM PROFILS**

Przykłady montażu z najbardziej spotykanymi wysokościami.  
*Typical installation in standard heights.*

Moduły pozwalające na zmianę wysokości co 100 mm.  
*With this modular profiles, height can be varied by 100 mm.*

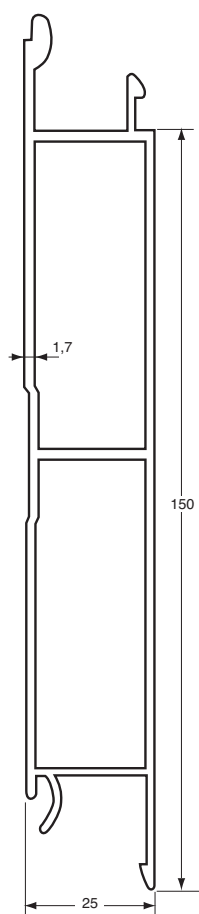
|              |            |            |            |            |            |            |
|--------------|------------|------------|------------|------------|------------|------------|
| H : 1 000 mm |            |            |            |            |            |            |
| 3110306      |            |            |            |            |            |            |
| 3110309      | H : 900 mm |            |            |            |            |            |
|              | 3110306    |            |            |            |            |            |
| 3110302      | 3110309    | H : 800 mm |            |            |            |            |
|              | 3110302    | 3110306    |            |            |            |            |
| 3110302      | 3110302    | 3110309    | H : 700 mm |            |            |            |
|              | 3110313    | 3110302    | 3110306    | H : 600 mm |            |            |
| 3110310      | 3110313    | 3110310    | 3110302    | 3110302    | H : 500 mm |            |
|              | 3110310    | 3110310    | 3110309    | 3110309    | 3110306    |            |
| 3110311      | 3110311    | 3110311    | 3110311    | 3110311    | 3110309    | H : 400 mm |
|              |            |            |            |            | 3110313    | 3110306    |
|              |            |            |            |            | 3110311    | 3110309    |
|              |            |            |            |            |            | 3110311    |

**PROFILE Z ALUMINIUM - ALUMINIUM PROFILE**



Profil górny.  
Frame profile.

| Nr katalog.<br>Reference | Długość<br>Length | Zakończyć<br>Finish     |
|--------------------------|-------------------|-------------------------|
| 3110306                  | 6100              | Brutto<br>Raw           |
| 3110306AN                | 6100              | Anodyzowane<br>Anodized |



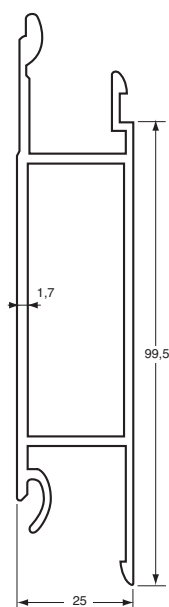
Profile burty 150 mm.  
Dropside profile 150 mm.

| Nr katalog.<br>Reference | Wysokość<br>Height | Długość<br>Length | Zakończyć<br>Finish     |
|--------------------------|--------------------|-------------------|-------------------------|
| 3110309                  | 150                | 6100              | Brutto<br>Raw           |
| 3110309AN                | 150                | 6100              | Anodyzowane<br>Anodized |

**PROFILE Z ALUMINIUM - ALUMINIUM PROFILE**

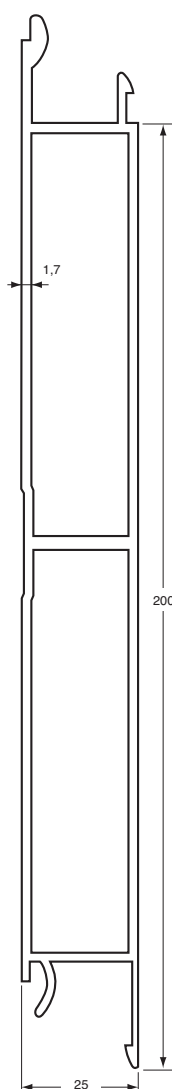
Profil burty 100 mm.  
*Dropside profile 100 mm.*

| Nr katalog.<br><i>Reference</i> | Wysokość<br><i>Height</i> | Długość<br><i>Length</i> | Zakończyć<br><i>Finish</i> |
|---------------------------------|---------------------------|--------------------------|----------------------------|
| 3110313                         | 100                       | 6100                     | Brutto<br>Raw              |
| 3110313AN                       | 100                       | 6100                     | Anodyzowane<br>Anodized    |



Profile burty 200 mm.  
*Dropside profile 200 mm.*

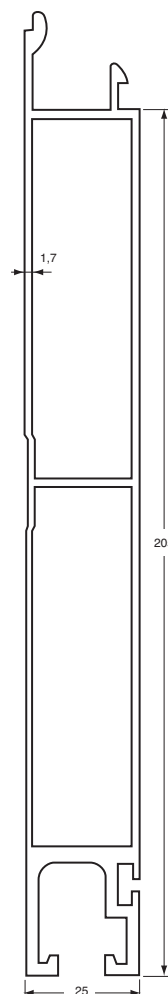
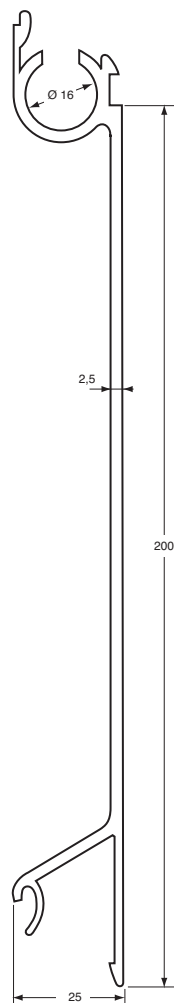
| Nr katalog.<br><i>Reference</i> | Wysokość<br><i>Height</i> | Długość<br><i>Length</i> | Zakończyć<br><i>Finish</i> |
|---------------------------------|---------------------------|--------------------------|----------------------------|
| 3110310                         | 200                       | 6100                     | Brutto<br>Raw              |
| 3110310AN                       | 200                       | 6100                     | Anodyzowane<br>Anodized    |



**PROFILE Z ALUMINIUM - ALUMINIUM PROFILE**

Profile burty TIR 200 mm.  
TIR dropside profile 200 mm.

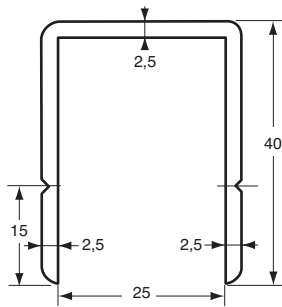
| Nr katalog.<br>Reference | Wysokość<br>Height | Długość<br>Length | Zakończyć<br>Finish     |
|--------------------------|--------------------|-------------------|-------------------------|
| 3110302                  | 200                | 6100              | Brutto<br>Raw           |
| 3110302AN                | 200                | 6100              | Anodyzowane<br>Anodized |



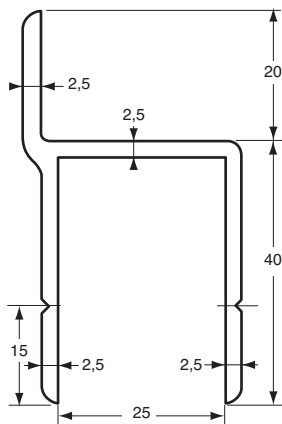
Profil burty dolny 205 mm.  
Dropside foot profile 205 mm.

| Nr katalog.<br>Reference | Wysokość<br>Height | Długość<br>Length | Zakończyć<br>Finish     |
|--------------------------|--------------------|-------------------|-------------------------|
| 3110311                  | 205                | 6100              | Brutto<br>Raw           |
| 3110311AN                | 205                | 6100              | Anodyzowane<br>Anodized |

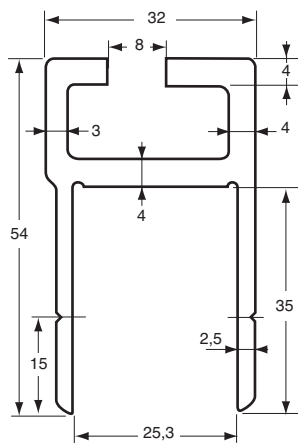


**PROFILE Z ALUMINIUM - ALUMINIUM PROFILE**

 Profile ramy.  
*Frame profile.*

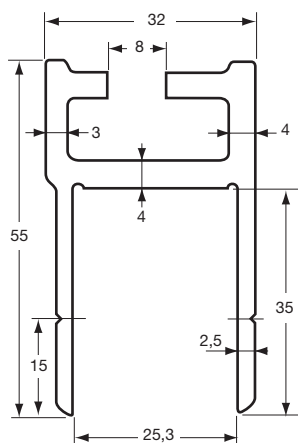
| Nr katalog.<br><i>Reference</i> | Długość<br><i>Length</i> | Zakończyć<br><i>Finish</i> |
|---------------------------------|--------------------------|----------------------------|
| 3110307                         | 5000                     | Brutto<br>Raw              |
| 3110307AN                       | 5000                     | Anodyzowane<br>Anodized    |


 Profil ramy z wypustem.  
*Flange frame profile.*

| Nr katalog.<br><i>Reference</i> | Długość<br><i>Length</i> | Zakończyć<br><i>Finish</i> |
|---------------------------------|--------------------------|----------------------------|
| 3110308                         | 5000                     | Brutto<br>Raw              |
| 3110308AN                       | 5000                     | Anodyzowane<br>Anodized    |


 Profil aluminiowy alu surowe dla Kinnegripa K IV.  
*Frame profile for KINNEGRIP K IV.*

| Nr katalog.<br><i>Reference</i> | Długość<br><i>Length</i> | Zakończyć<br><i>Finish</i> |
|---------------------------------|--------------------------|----------------------------|
| 3110312                         | 5000                     | Brutto<br>Raw              |
| 3110312AN                       | 5000                     | Anodyzowane<br>Anodized    |

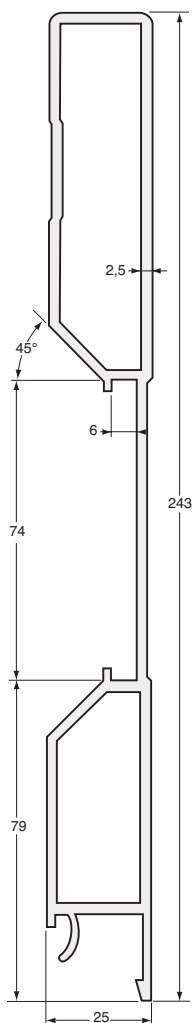

 Profil ramy dla Kinnegripa K 20.  
*Frame profile for KINNEGRIP K 20.*

| Nr katalog.<br><i>Reference</i> | Długość<br><i>Length</i> | Zakończyć<br><i>Finish</i> |
|---------------------------------|--------------------------|----------------------------|
| 3110318AN                       | 5000                     | Anodyzowane<br>Anodized    |

PROFILE Z ALUMINIUM - ALUMINIUM PROFILE

Profil burty 250 mm.  
Dropside profile 250 mm.

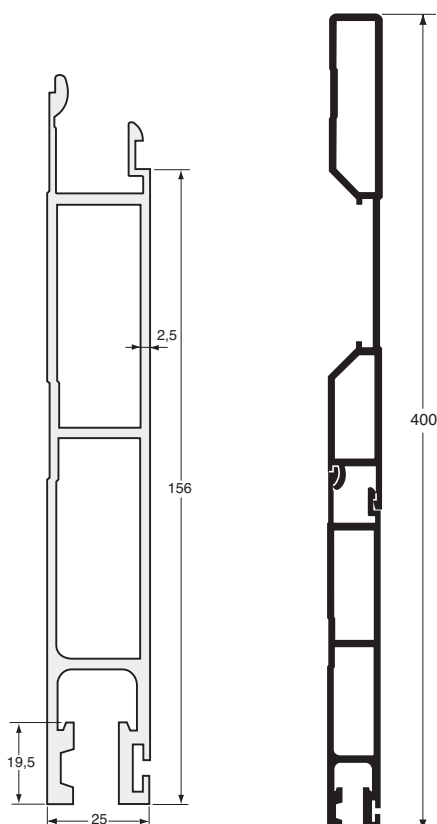
| Nr katalog.<br>Reference | Wysokość<br>Height | Długość<br>Length | Zakończyć<br>Finish     |
|--------------------------|--------------------|-------------------|-------------------------|
| 3110316AN                | 250                | 6100              | Anodyzowane<br>Anodized |



15

Profil burty dolny, 150 mm.  
Bottom profile, 150 mm.

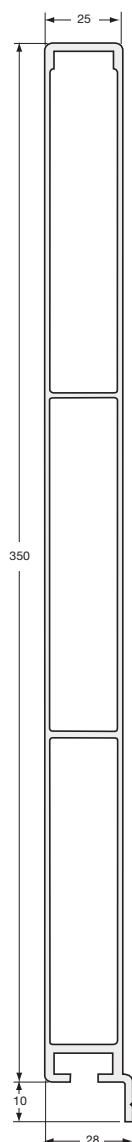
| Nr katalog.<br>Reference | Wysokość<br>Height | Długość<br>Length | Zakończyć<br>Finish     |
|--------------------------|--------------------|-------------------|-------------------------|
| 3110315                  | 150                | 6100              | Brutto<br>Raw           |
| 3110315AN                | 150                | 6100              | Anodyzowane<br>Anodized |



**PROFILE Z ALUMINIUM - ALUMINIUM PROFILE**

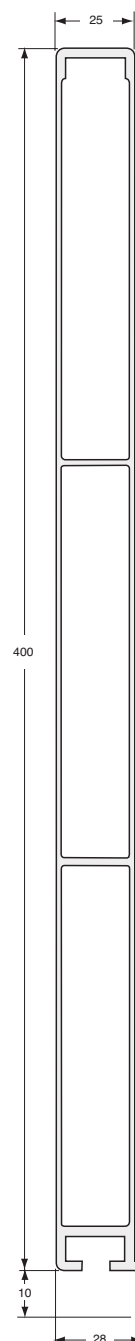
Profil burty 350 mm.  
*Dropside profile 350 mm.*

| Nr katalog.<br><i>Reference</i> | Wysokość<br><i>Height</i> | Długość<br><i>Length</i> | Zakończyć<br><i>Finish</i>     |
|---------------------------------|---------------------------|--------------------------|--------------------------------|
| 3110321AN                       | 350                       | 3200                     | Anodyzowane<br><i>Anodized</i> |

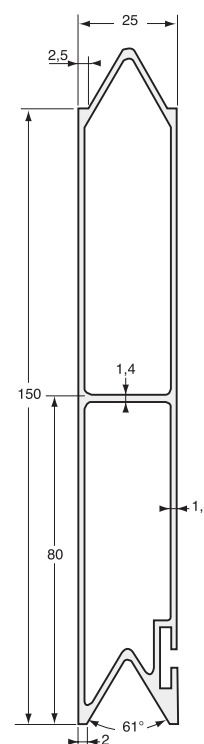
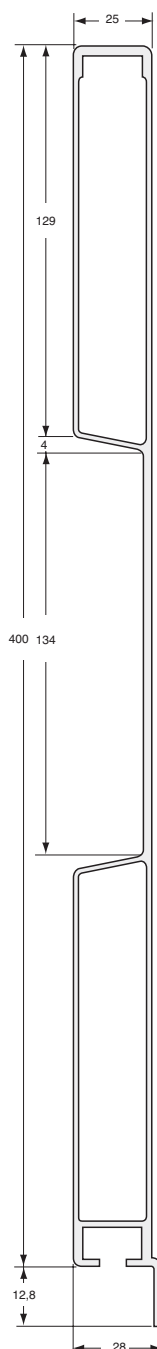


Profil burty 400 mm.  
*Dropside profile 400 mm.*

| Nr katalog.<br><i>Reference</i> | Wysokość<br><i>Height</i> | Długość<br><i>Length</i> | Zakończyć<br><i>Finish</i>     |
|---------------------------------|---------------------------|--------------------------|--------------------------------|
| 3110319AN                       | 400                       | 6500                     | Anodyzowane<br><i>Anodized</i> |



PROFILE Z ALUMINIUM - ALUMINIUM PROFILE



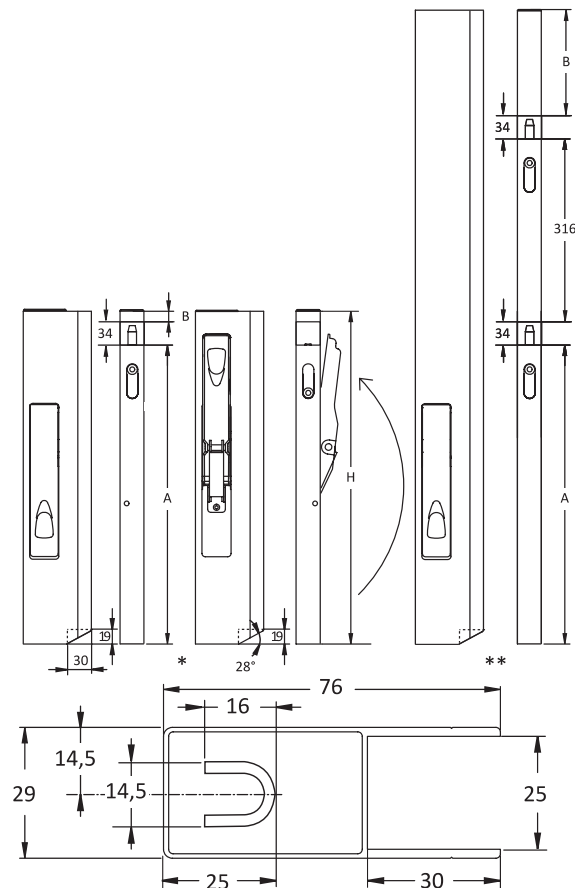
15

Profil burty TIR 400 mm.  
TIR dropside profile 400 mm.

| Nr katalog.<br>Reference | Wysokość<br>Height | Długość<br>Length | Zakończyć<br>Finish     |
|--------------------------|--------------------|-------------------|-------------------------|
| 3110320AN                | 400                | 6500              | Anodyzowane<br>Anodized |

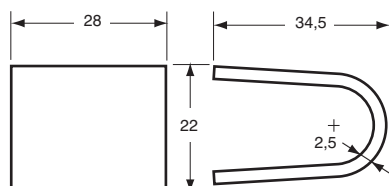
Profil nadstawki.  
Dropside profile.

| Nr katalog.<br>Reference | Długość<br>Length | Zakończyć<br>Finish |
|--------------------------|-------------------|---------------------|
| 3110314                  | 3350              | Brutto<br>Raw       |
| 3110338                  | 6700              | Brutto<br>Raw       |

**PROFIL ZAMKNIĘCIA BURTY I GNIAZDA RYGLA - DROPSIDE LOCK PROFILES AND KEEPERS**


Zapięcie burty 1 (\*) lub 2 (\*\*) ryglami pionowymi ze stali cynkowanej z profilem z aluminium anodowanego.  
*Dropside lock, 1 (\*) or 2 (\*\*) vertical pin, in anodized aluminium profile.*

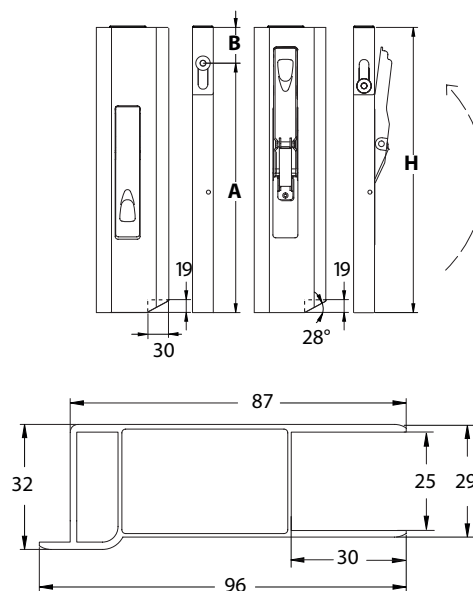
| Nr katalog.<br>Reference | $\triangle$<br>Kg | H    | A   | B   | Strona<br>Hand | Typ<br>Type |
|--------------------------|-------------------|------|-----|-----|----------------|-------------|
| 3110562DR                | 0,625             | 410  | 361 | 15  | Prawa<br>Right | *           |
| 3110562GA                | 0,625             | 410  | 361 | 15  | Lewa<br>Left   | *           |
| 3110563DR                | 0,730             | 510  | 461 | 15  | Prawa<br>Right | *           |
| 3110563GA                | 0,730             | 510  | 461 | 15  | Lewa<br>Left   | *           |
| 3110564DR                | 0,845             | 610  | 561 | 15  | Prawa<br>Right | *           |
| 3110564GA                | 0,845             | 610  | 561 | 15  | Lewa<br>Left   | *           |
| 3110565DR                | 1,010             | 810  | 626 | 150 | Prawa<br>Right | *           |
| 3110565GA                | 1,010             | 810  | 626 | 150 | Lewa<br>Left   | *           |
| 3110566DR                | 1,645             | 1010 | 476 | 150 | Prawa<br>Right | **          |
| 3110566GA                | 1,645             | 1010 | 476 | 150 | Lewa<br>Left   | **          |



Zaczepek do przyspawania, stal surowa.  
*Weld-on dropside catch, self colour steel.*

| Nr katalog.<br>Reference | $\triangle$<br>Kg |
|--------------------------|-------------------|
| 3110285                  | 0,040             |

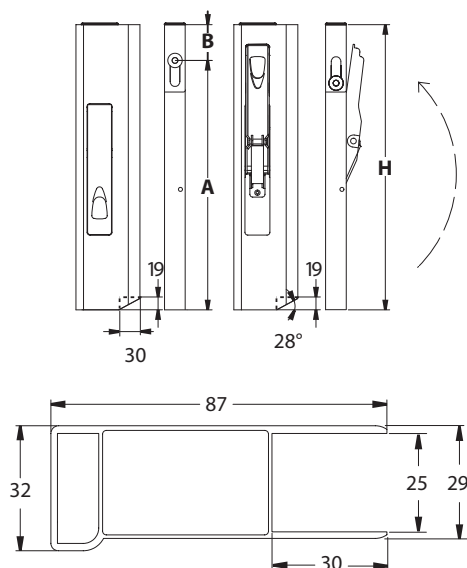
PROFIL ZAMKNIĘCIA BURTY I GNIAZDA RYGLA - *DROPSIDE LOCK PROFILES AND KEEPERS*



Zapięcie burty rygłem poziomym ze stali cynkowej z profilem z aluminium anodowanego, podwójna komora z wypustem.  
*Dropside lock, horizontal pin, double chamber with wing, in anodized aluminium profile.*

| Nr katalog.<br>Reference | $\frac{\circ}{Kg}$ | H   | A   | B  | Strona<br>Hand |
|--------------------------|--------------------|-----|-----|----|----------------|
| 3110541DR                | 0,625              | 360 | 300 | 60 | Prawa<br>Right |
| 3110541GA                | 0,625              | 360 | 300 | 60 | Lewa<br>Left   |
| 3110542DR                | 0,700              | 410 | 350 | 60 | Prawa<br>Right |
| 3110542GA                | 0,700              | 410 | 350 | 60 | Lewa<br>Left   |
| 3110544DR                | 0,935              | 610 | 350 | 60 | Prawa<br>Right |
| 3110544GA                | 0,935              | 610 | 350 | 60 | Lewa<br>Left   |



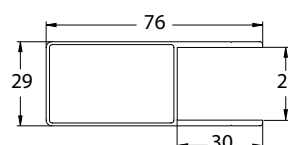
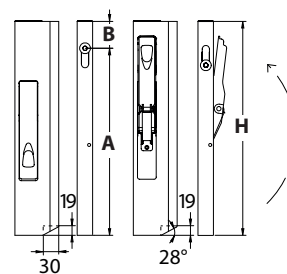
**PROFIL ZAMKNIĘCIA BURTY I GNIAZDA RYGŁA - DROPSIDE LOCK PROFILES AND KEEPERS**


Zapięcie burty rygłem poziomym ze stali cynkowanej z profilem z aluminium anodyzowanego, podwójna komora bez wypustu.  
*Dropside lock, horizontal pin, double chamber, without wing, in anodized aluminium profile.*

| Nr katalog.<br>Reference | $\frac{\circ}{Kg}$ | H   | A   | B  | Strona<br>Hand |
|--------------------------|--------------------|-----|-----|----|----------------|
| 3110571DR                | 0,630              | 360 | 300 | 60 | Prawa<br>Right |
| 3110571GA                | 0,630              | 360 | 300 | 60 | Lewa<br>Left   |
| 3110572DR                | 0,705              | 410 | 350 | 60 | Prawa<br>Right |
| 3110572GA                | 0,705              | 410 | 350 | 60 | Lewa<br>Left   |
| 3110573DR                | 0,830              | 510 | 350 | 60 | Prawa<br>Right |
| 3110573GA                | 0,830              | 510 | 350 | 60 | Lewa<br>Left   |
| 3110574DR                | 0,950              | 610 | 350 | 60 | Prawa<br>Right |
| 3110574GA                | 0,950              | 610 | 350 | 60 | Lewa<br>Left   |



**PROFIL ZAMKNIĘCIA BURTY I GNIAZDA RYGLA - DROPSIDE LOCK PROFILES AND KEEPERS**

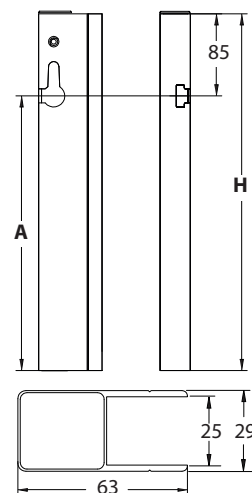
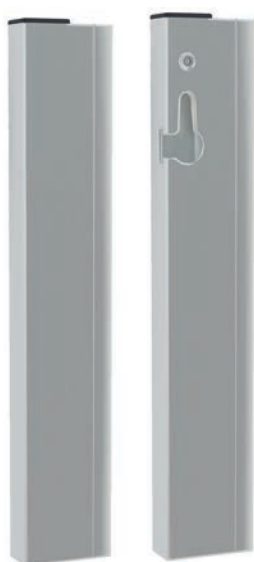


Zapięcie burty rygłem poziomym ze stali cynkowej z profilem z aluminium anodowanego.  
*Dropside lock, horizontal pin, in anodized aluminium profile.*

| Nr katalog.<br>Reference | Kg    | H   | A   | B  | Strona<br>Hand |
|--------------------------|-------|-----|-----|----|----------------|
| 3110550DR                | 0,500 | 310 | 250 | 60 | Prawa<br>Right |
| 3110550GA                | 0,500 | 310 | 250 | 60 | Lewa<br>Left   |
| 3110552DR                | 0,625 | 410 | 350 | 60 | Prawa<br>Right |
| 3110552GA                | 0,625 | 410 | 350 | 60 | Lewa<br>Left   |

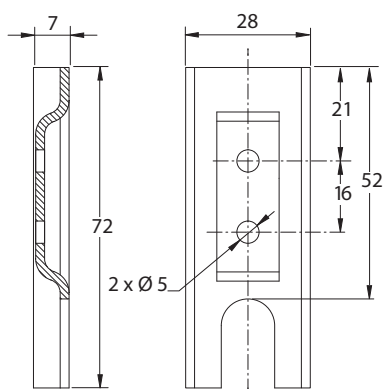




**PROFIL ZAMKNIĘCIA BURTY I GNIAZDA RYGŁA - DROPSIDE LOCK PROFILES AND KEEPERS**


Profil zaczepu z aluminium anodowanego do zamknięcia rygłem poziomym.  
*Profile lock in anodized aluminium profile for dropside lock with horizontal pin.*

| Nr katalog.<br>Reference | $\frac{Kg}{m}$ | H   | A   | Strona<br>Hand |
|--------------------------|----------------|-----|-----|----------------|
| 3110550PD                | 0,350          | 310 | 225 | Prawa<br>Right |
| 3110550PG                | 0,350          | 310 | 225 | Lewa<br>Left   |
| 3110552PD                | 0,460          | 410 | 325 | Prawa<br>Right |
| 3110552PG                | 0,460          | 410 | 325 | Lewa<br>Left   |

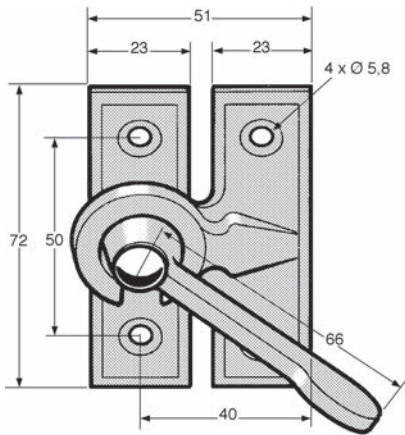


Zaczep do zamków burtowych z rygłem poziomym.  
*Dropside catch for dropside lock with horizontal pin.*

| Nr katalog.<br>Reference | $\frac{Kg}{m}$ | Zakończyć<br>Finish            |
|--------------------------|----------------|--------------------------------|
| 3110540GZ                | 0,037          | Stal ocynkowana<br>Zinc plated |
| 3110540GB                | 0,037          | Stal surowa<br>Raw steel       |




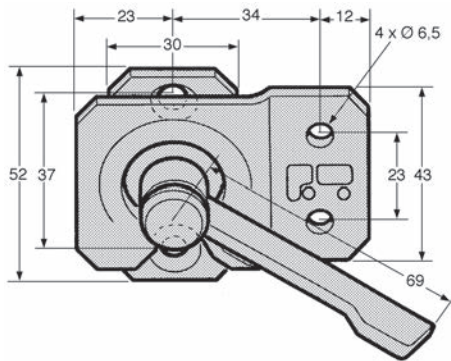
**ZAMKNIĘCIA RÓŻNE I ZAMKNIĘCIA NA ZACISK - *VARIOUS FASTENERS AND ANTILUCE FASTENERS***



Zamek mimośrodowy, stal cynkowana, chromianowa, matowa.


*Bichromated zinc plated steel, turnbuckle lock.*

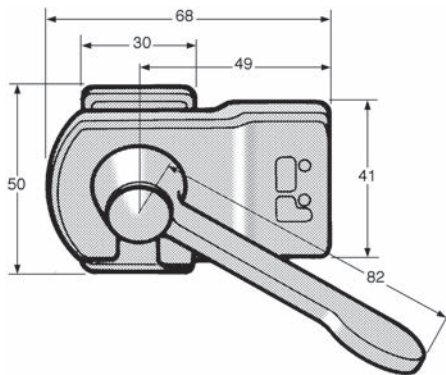
| Nr katalog.<br>Reference |  Kg | Strona<br>Hand |
|--------------------------|--|----------------|
| 3343720DR                | 0,240  | Prawa<br>Right |
| 3343720GA                | 0,240  | Lewa<br>Left   |



Zamek mimośrodowy, stal cynkowana, chromianowana, matowa.


*Bichromated zinc plated steel, turnbuckle lock.*

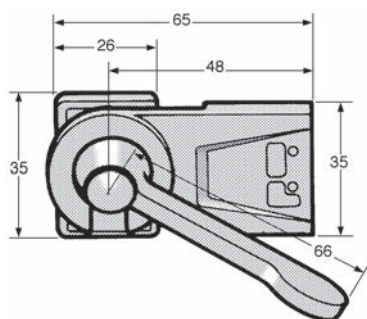
| Nr katalog.<br>Reference |  Kg | Strona<br>Hand |
|--------------------------|--|----------------|
| 3343796DR                | 0,170  | Prawa<br>Right |
| 3343796GA                | 0,170  | Lewa<br>Left   |



Zamek mimośrodowy, stal surowa.


*Self colour steel, turnbuckle lock.*

| Nr katalog.<br>Reference |  Kg | Strona<br>Hand |
|--------------------------|--|----------------|
| 3204379DR                | 0,320  | Prawa<br>Right |
| 3204379GA                | 0,320  | Lewa<br>Left   |

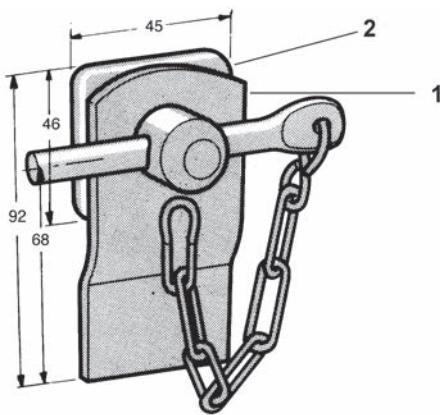


Zamek mimośrodowy, stal surowa.

*Self colour steel turnbuckle lock.*

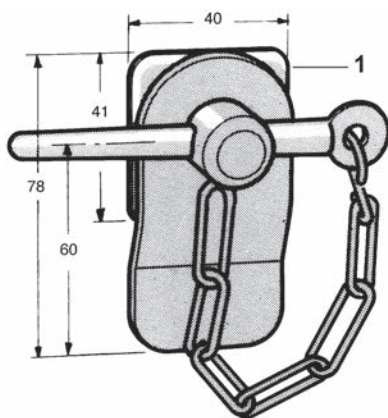
| Nr katalog.<br>Reference |  Kg | Strona<br>Hand |
|--------------------------|--|----------------|
| 3243794DR                | 0,200  | Prawa<br>Right |
| 3243794GA                | 0,200  | Lewa<br>Left   |

ZAMKNIĘCIA RÓŻNE I ZAMKNIĘCIA NA ZACISK - *VARIOUS FASTENERS AND ANTILUCE FASTENERS*



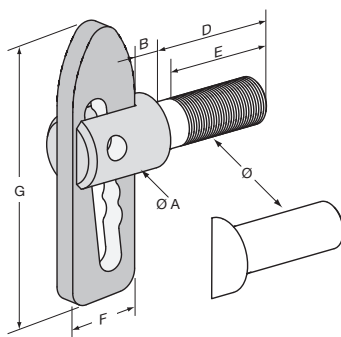
Zaczepek z przetyczką walcową na łańcuszku, stal surowa.  
*Dropside lock with chain and cylindrical cotter, self colour steel.*

| Nr katalog.<br><i>Reference</i> | $\frac{\text{Kg}}{\text{kg}}$ | Typ<br><i>Type</i> |
|---------------------------------|-------------------------------|--------------------|
| 3243680                         | 0,400                         | -                  |
| 3243680FS                       |                               | 1                  |
| 3243680T                        |                               | 2                  |



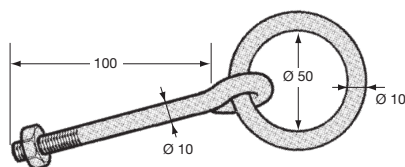
Zaczepek z przetyczką stożkową na łańcuszku, stal surowa.  
*Dropside lock with chain and conical cotter, self colour steel.*

| Nr katalog.<br><i>Reference</i> | $\frac{\text{Kg}}{\text{kg}}$ | Typ<br><i>Type</i> |
|---------------------------------|-------------------------------|--------------------|
| 3243681                         | 0,300                         | -                  |
| 3243681T                        |                               | 1                  |



Zamknięcie na zacisk, z nakrętką i podkładką (\*).  
*Antiluce fastener, with nuts and washers (\*).*

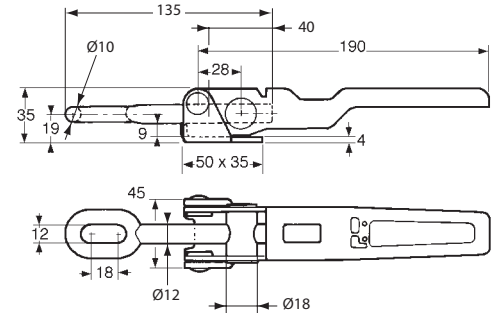
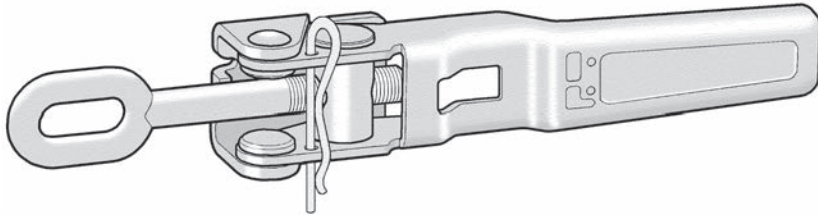
| Nr katalog.<br><i>Reference</i> | $\frac{\text{Kg}}{\text{kg}}$ | Ø   | B<br>(mm) | D<br>(mm) | E<br>(mm) | F<br>(mm) | G<br>(mm) | ØA | Typ<br><i>Type</i> |
|---------------------------------|-------------------------------|-----|-----------|-----------|-----------|-----------|-----------|----|--------------------|
| 3243685                         | 0,090                         | Ø12 | 6,4       | 12        | -         | 20        | 72        | 19 |                    |
| 3243687                         | 0,040                         | M8  | 6,4       | 21        | 19        | 14        | 50        | 13 | *                  |
| 3243688                         | 0,101                         | M12 | 6,4       | 33        | 28        | 19,8      | 71        | 19 |                    |
| 3243689                         | 0,096                         | M12 | 6,4       | 26        | 21        | 19,8      | 71        | 19 |                    |



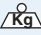
Śruba z pierścieniem, stal cynkowana.  
*Zinc plated steel ring.*

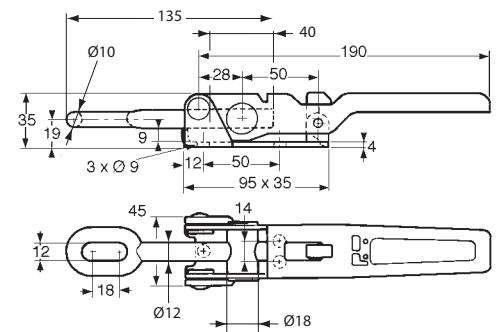
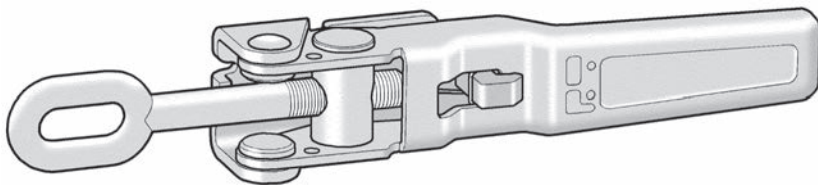
| Nr katalog.<br><i>Reference</i> | $\frac{\text{Kg}}{\text{kg}}$ |
|---------------------------------|-------------------------------|
| 3243801                         | 0,200                         |

ZAMKNIĘCIA MIMOŚRODOWE I HACZYKI - *LOCKING GEAR AND COUPLINGS*



Zamknięcie mimośrodowe, do przyspawania, stal surowa, bez haka i przetyczka „beta”.  
*Weld-on locking gear, self colour steel, without hook, without beta wire spring cotter.*

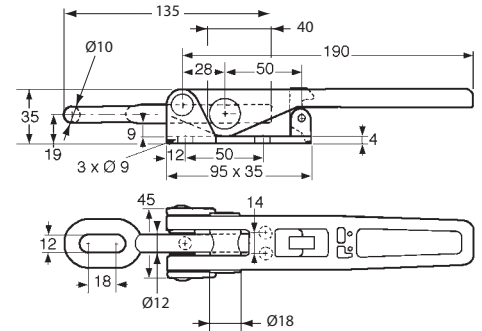
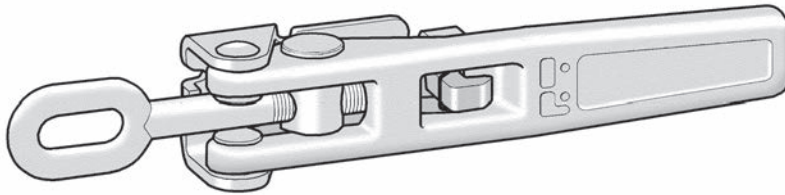
| Nr katalog.<br>Reference |  |
|--------------------------|---|
| 3343657                  | 0,555   |



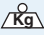
Zamknięcie mimośrodowe z rygłem zabezpieczającym, stal cynkowana, przykręcane, bez haka.  
*Locking gear to be screwed, with safety retaining mechanism, zinc plated steel, without hook.*

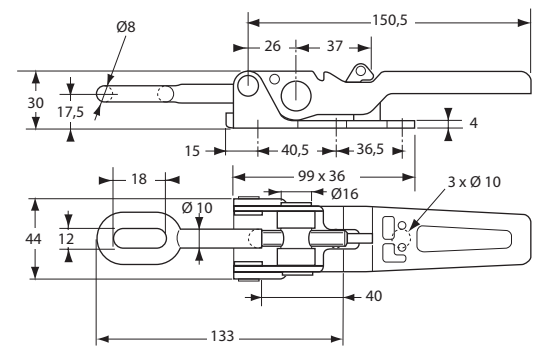
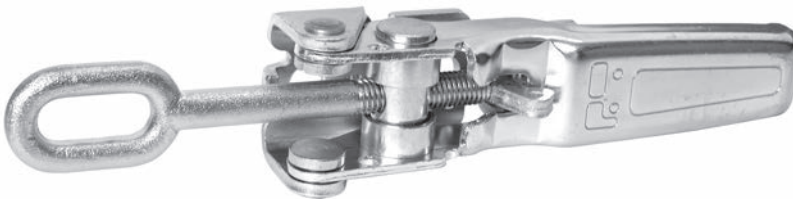
| Nr katalog.<br>Reference |  |
|--------------------------|---|
| 3343658                  | 0,630   |

ZAMKNIĘCIA MIMOŚRODOWE I HACZYKI - LOCKING GEAR AND COUPLINGS




Zamknięcie mimośrodowe z rygłem zabezpieczającym, stal cynkowana, przykręcane, bez haka.  
Locking gear to be screwed, with safety retaining mechanism, zinc plated steel, without hook.

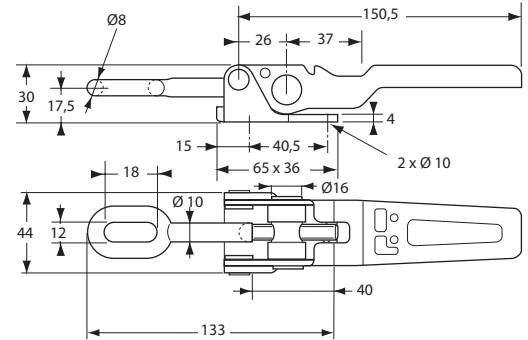
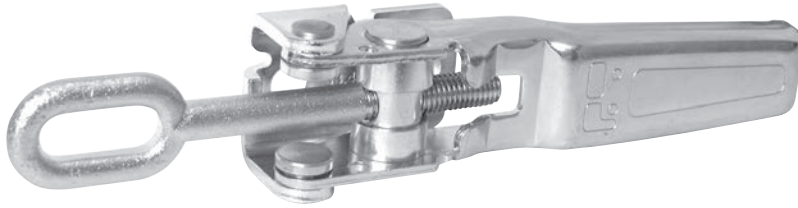
| Nr katalog.<br>Reference |  Kg |
|--------------------------|--|
| 3343659                  | 0,850  |



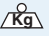
Zamknięcie mimośrodowe, przykręcane, z rygłem zabezpieczającym, bez haka, stal ocynkowana.  
Locking gear to be screwed, with safety retaining mechanism, zinc plated steel, without hook.

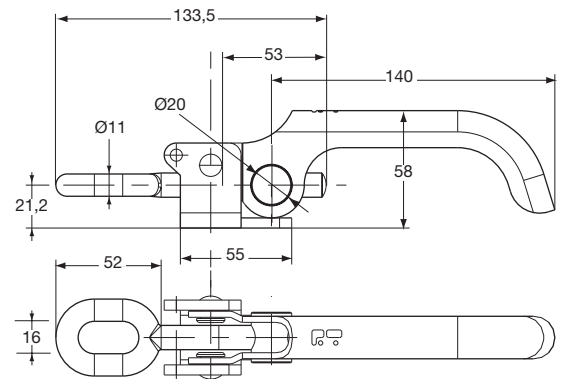
| Nr katalog.<br>Reference |  Kg |
|--------------------------|--|
| 3343682                  | 0,451  |

ZAMKNIĘCIA MIMOŚRODOWE I HACZYKI - *LOCKING GEAR AND COUPLINGS*




Zamknięcie mimośrodowe, przykręcane, bez haka, stal cynkowana.  
*Locking gear to be screwed, zinc plated steel, without hook.*

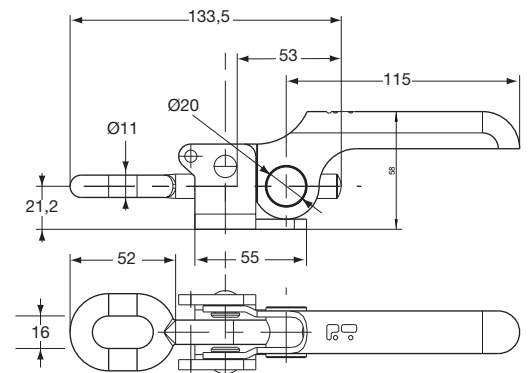
| Nr katalog.<br>Reference |  |
|--------------------------|---|
| 3343683                  | 0,410   |



Zamek mimośrodowy do przyspawania stal ocynk, wspornik stal surowa bez haczyka.  
*Zinc plated steel locking gear to be welded, raw steel base, without hook.*

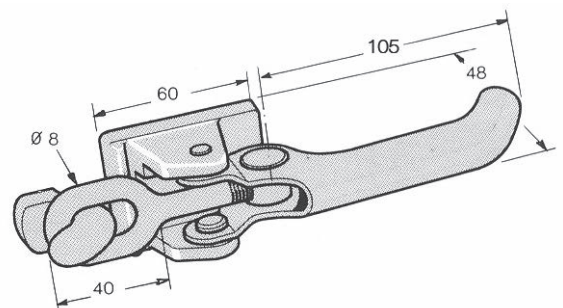
| Nr katalog.<br>Reference |  |
|--------------------------|---|
| 3243660 S                | 0,550   |

ZAMKNIĘCIA MIMOŚRODOWE I HACZYKI - **LOCKING GEAR AND COUPLINGS**



Zamek mimośrodowy do przyspawania stal ocynk wspornik stal surowa, bez haczyka.  
*Zinc plated steel locking gear to be welded, raw steel base, without hook.*

| Nr katalog.<br>Reference | /Kg   |
|--------------------------|-------|
| 3243665                  | 0,500 |

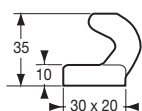
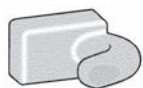


Zamek mimośrodowy do spawania, stal malowana z haczykiem.  
*Paint steel locking gear to be welded, with raw hook.*

| Nr katalog.<br>Reference | /Kg   |
|--------------------------|-------|
| 3243664                  | 0,600 |



ZAMKNIĘCIA MIMOŚRODOWE I Haczyki - *LOCKING GEAR AND COUPLINGS*

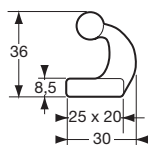


Hak (tylko), stal surowa.  
*Self colour steel hook.*

Nr katalog.  
*Reference*



3343657CR 0,08

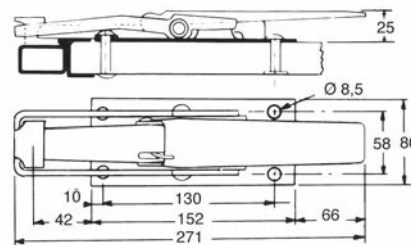


Hak (tylko), stal surowa.  
*Hook alone, self colour steel.*


Nr katalog.  
*Reference*



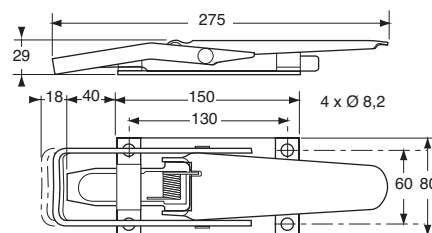
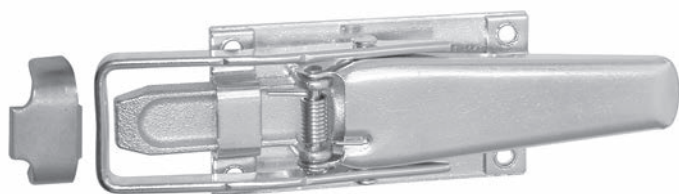
3343682CR 0,055



Zamknięcie TICO.  
*Tico lock assembly.*

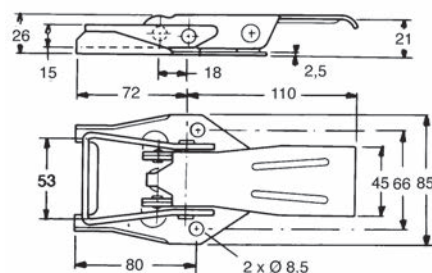
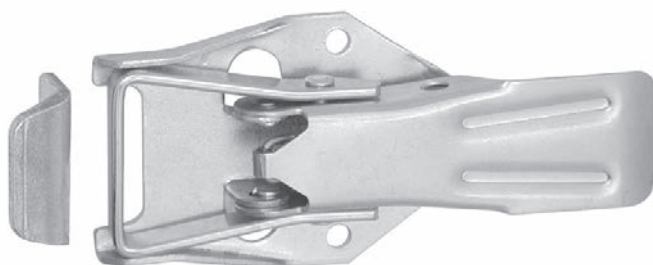
| Nr katalog.<br><i>Reference</i> |  Kg | Zakończyć<br><i>Finish</i>            | Typ<br><i>Type</i> |
|---------------------------------|--|---------------------------------------|--------------------|
| 3343663                         | 1,015  | Stal ocynkowana<br><i>Zinc plated</i> | -                  |
| 3343663FS                       | 0,960  | Stal ocynkowana<br><i>Zinc plated</i> | 1                  |
| 3343663GA                       | 0,055  | Stal surowa<br><i>Raw steel</i>       | 2                  |

ZAMKNIĘCIA MIMOŚRODOWE I HACZYKI - *LOCKING GEAR AND COUPLINGS*



Zamknięcie stalowe, ocynkowane z hakiem do przyspawania.  
*Zinc plated steel lock with keeper to be weld-on.*

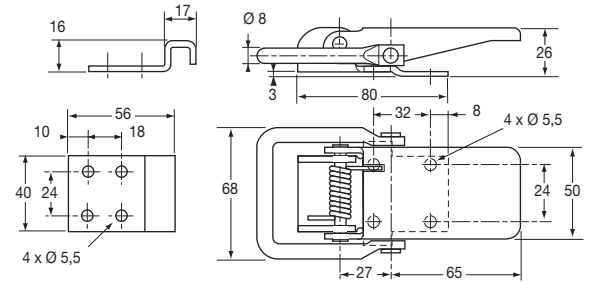
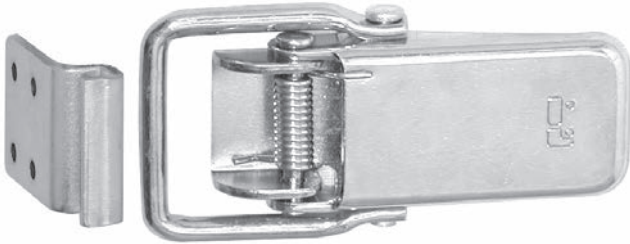
| Nr katalog.<br>Reference | / Kg |
|--------------------------|------|
| 3343669                  | 1,1  |



Zamknięcie burty na zatrzask, stal cynkowana z zaczepem do przyspawania.  
*Zinc plated steel dropside locking gear for padlock, with keeper to be welded.*

| Nr katalog.<br>Reference | / Kg |
|--------------------------|------|
| 3343665                  | 0,45 |

ZAMKNIĘCIA MIMOŚRODOWE I HACZYKI - *LOCKING GEAR AND COUPLINGS*



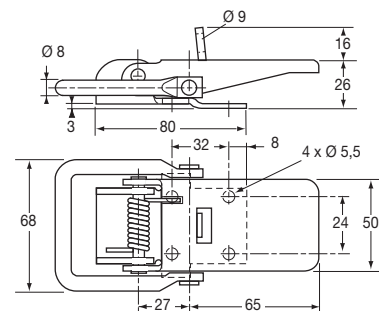
Zamknięcie bez zatrzasku, z hakiem, stal cynkowana.  
*Zinc plated trunk fastener without padlock with hook.*

Nr katalog.  
Reference



3343680

0,425



Zatrzask bez haka z uchem do kłódki zabezpieczającej, stal cynkowana.  
*Zinc plated trunk fastener with padlock without hook.*

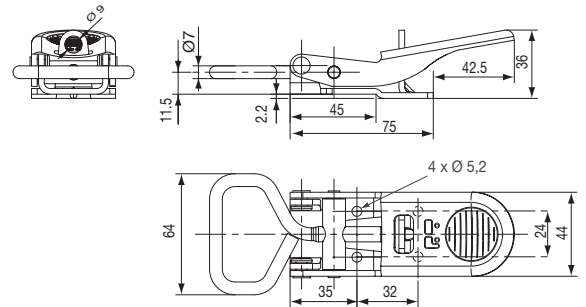
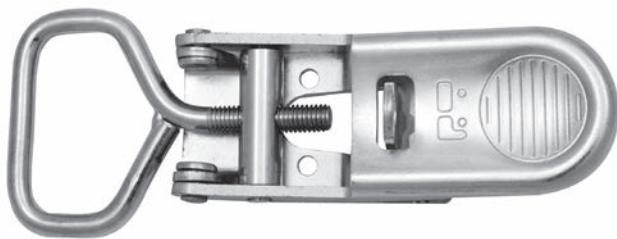
Nr katalog.  
Reference



3343681SC

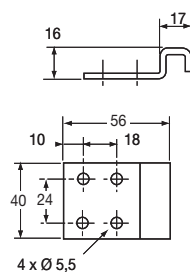
0,425

ZAMKNIĘCIA MIMOŚRODOWE I HACZYKI - LOCKING GEAR AND COUPLINGS



Zatrask z zaczepem kłódki, stal cynkowana.  
Zinc plated lockable and adjustable trunk fastener.

| Nr katalog.<br>Reference | Kg    |
|--------------------------|-------|
| 3343690                  | 0,285 |

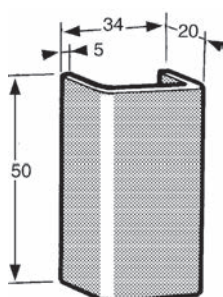


Hak zapięcia (tylko), stal cynkowana.  
Hook alone.

| Nr katalog.<br>Reference | Kg    |
|--------------------------|-------|
| 3343690CR                | 0,085 |

15

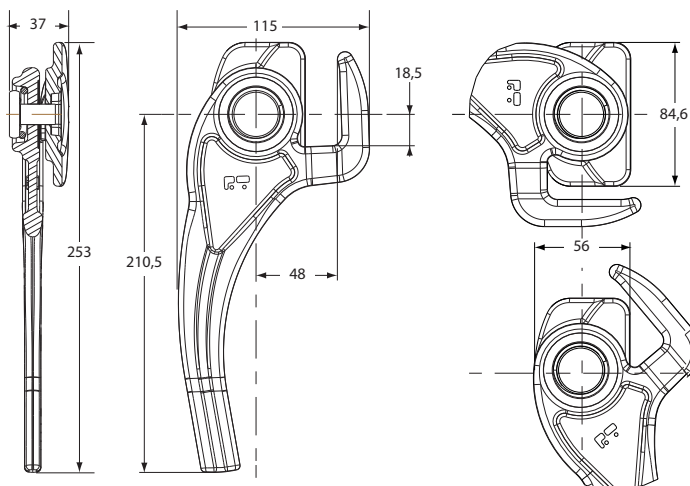
ZAPIĘCIA BURTY Z RYGLEM OBROTOWYM I ZACZEPEM - DROPSIDE LOCKS



Zaczep stal surowa do zamka 3343672DR, 3343672GA.  
Self colour steel keeper for lock 3343672DR, 3343672GA.

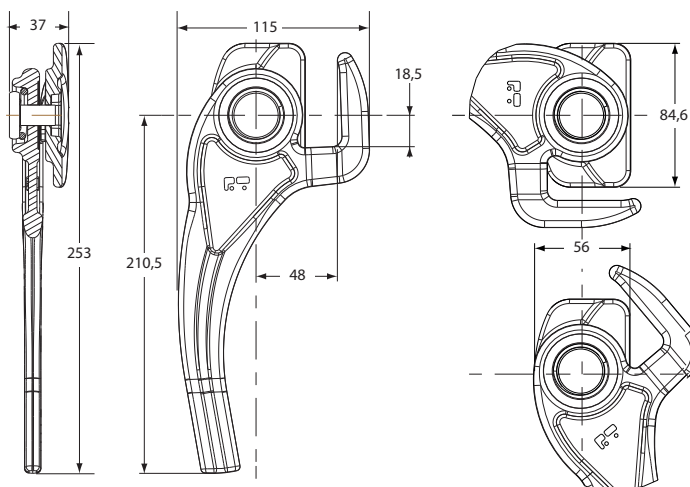
| Nr katalog.<br>Reference | Kg    |
|--------------------------|-------|
| 3343671 S                | 0,080 |

**ZAPIĘCIA BURTY Z RYGLEM OBROTOWYM I ZACZEPEM - DROPSIDE LOCKS**



Zamknięcie burty bocznej zabezpieczone z rygłem.  
*Secured dropside lock with keeper.*

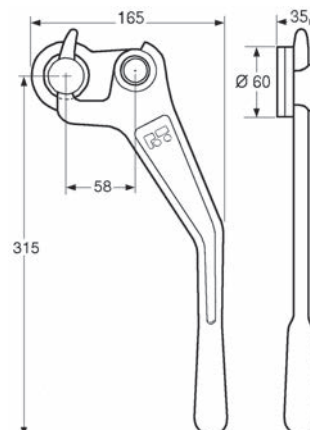
| Nr katalog.<br>Reference | Kg    | Strona<br>Hand |
|--------------------------|-------|----------------|
| 3343672DR                | 1,080 | Prawa<br>Right |
| 3343672GA                | 1,080 | Lewa<br>Left   |



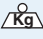
Zamknięcie burty bocznej zabezpieczone bez rygla.  
*Secured dropside lock without keeper.*

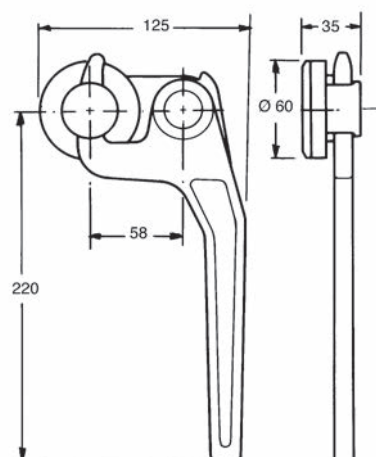
| Nr katalog.<br>Reference | Kg    | Strona<br>Hand |
|--------------------------|-------|----------------|
| 3343672SD                | 1,000 | Prawa<br>Right |
| 3343672SG                | 1,000 | Lewa<br>Left   |

ZAPIĘCIA BURTY Z RYGLEM OBROTOWYM I ZACZPEM - **DROPSIDE LOCKS**




Zapięcie burty z rygłem obrotowym i zaczepem, stal surowa.  
*Self colour steel dropside locking gear with keeper.*

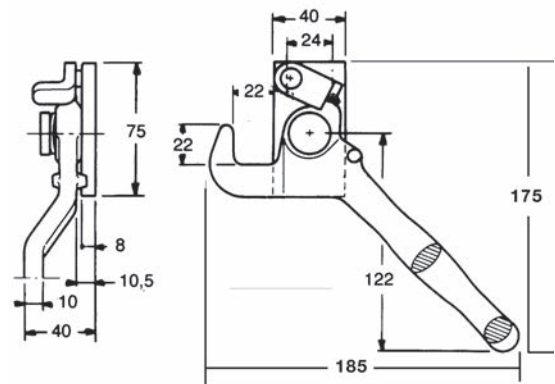
| Nr katalog.<br>Reference |  Kg | Strona<br>Hand |
|--------------------------|--|----------------|
| 3343677DR                | 1,640  | Prawa<br>Right |
| 3343677GA                | 1,640  | Lewa<br>Left   |



Zapięcie burty z rygłem obrotowym i zaczepem, stal surowa.  
*Dropside locking gear with keeper, self colour steel.*

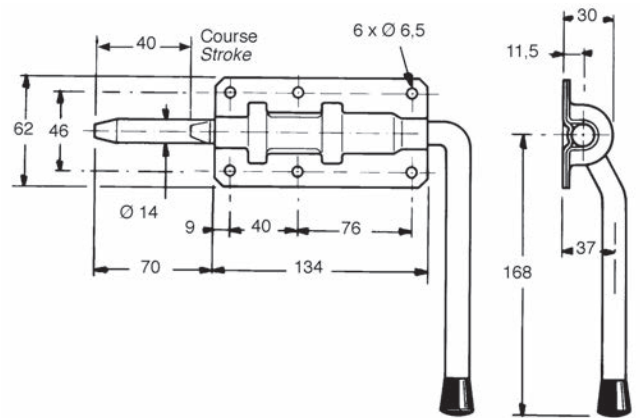
| Nr katalog.<br>Reference |  Kg | Strona<br>Hand |
|--------------------------|--|----------------|
| 3243666DR                | 1,100  | Prawa<br>Right |
| 3243666GA                | 1,100  | Lewa<br>Left   |

**ZAPIĘCIA BURTY Z RYGLEM OBROTOWYM I ZACZEPEM - DROPSIDE LOCKS**



Zamknięcie burty, stal surowa.  
Zinc plated steel dropside locking gear.

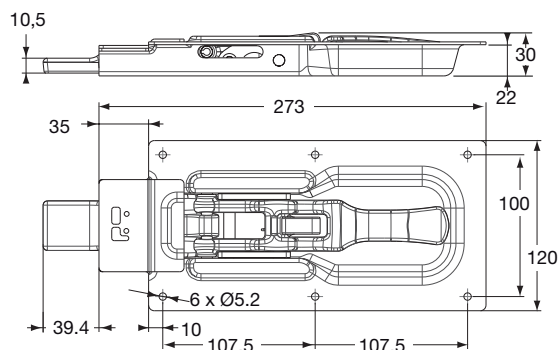
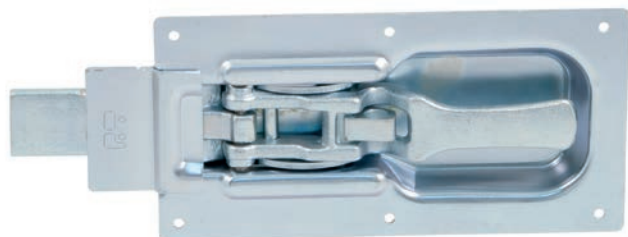
| Nr katalog.<br>Reference | Kg    | Strona<br>Hand |
|--------------------------|-------|----------------|
| 3343676DR                | 0,620 | Prawa<br>Right |
| 3343676GA                | 0,620 | Lewa<br>Left   |



Zasuwa burty, stal cynkowana.  
Zinc plated steel lock.

| Nr katalog.<br>Reference | Kg    | Strona<br>Hand |
|--------------------------|-------|----------------|
| 3343636DR                | 0,750 | Prawa<br>Right |
| 3343636GA                | 0,750 | Lewa<br>Left   |

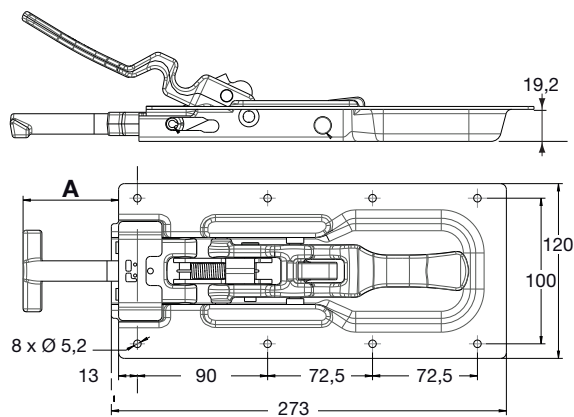
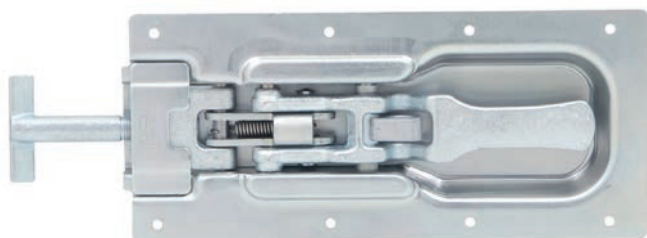
ZAMKNIĘCIA BURTY, WPUSZCZANE - *RECESSED LOCKING DROPSIDE GEAR*



Zamknięcie wpuszczane, stal ocynkowana.  
*Recessed locking gear, zinc plated steel.*

| Nr katalog.<br>Reference | Kg    |
|--------------------------|-------|
| 3368250DE                | 1,478 |

15

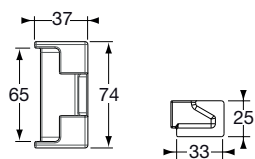


Zamknięcie burty bocznej z zabezpieczeniem, rygiel w kształcie T.  
*Secured locking gear.*


| Nr katalog.<br>Reference | Kg    | A     |
|--------------------------|-------|-------|
| 3368231                  | 1,480 | 25-45 |

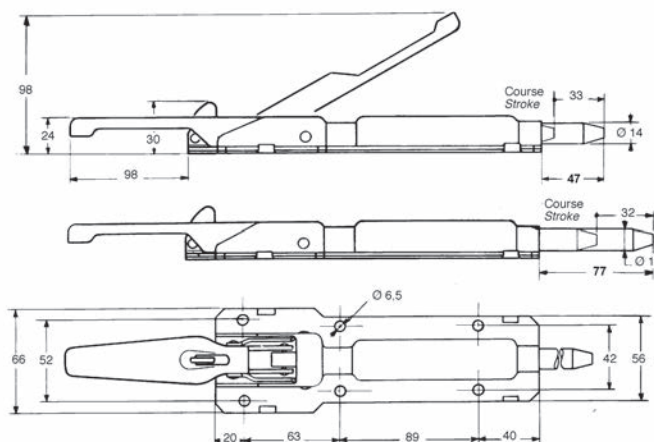
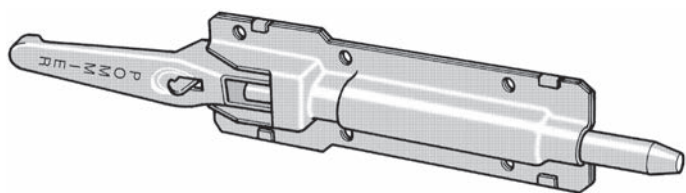


**ZAMKI Z RYGLEM - BOLT LOCKS**




Gniazdo dla 3368231 stal cynkowana.  
*Keeper for lock 3368231, zinc plated steel.*

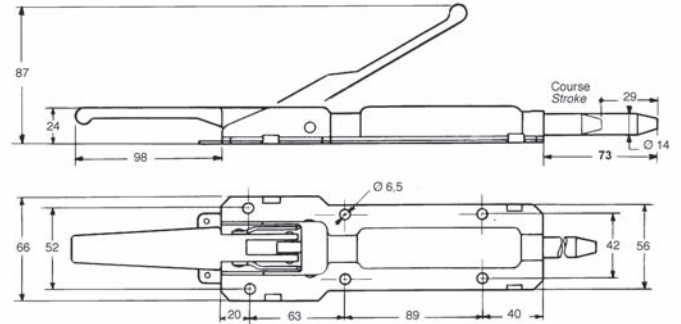
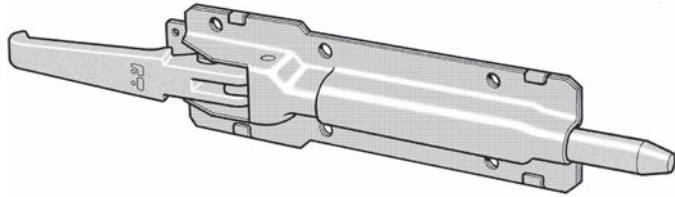
| Nr katalog.<br>Reference |  Kg | Dla<br>For |
|--------------------------|--|------------|
| 3368227GA                | 0,207  | 3368231    |



Zamknięcie ryglowe, stal cynkowana, z zatrzaskiem zabezpieczającym dźwignię. Z rygłem długim 77mm (\*) lub rygłem krótkim 47mm (\*\*).  
*Locking gear, zinc plated steel, with safety retaining mechanism for the handle. With long bolt 77 mm (\*) or short bolt 47 mm (\*\*).*

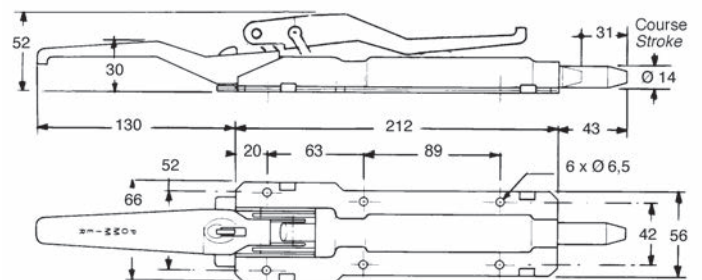
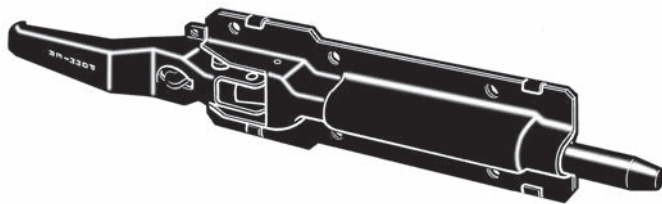
| Nr katalog.<br>Reference |  Kg | Typ<br>Type |
|--------------------------|--|-------------|
| 3343633                  | 0,855  | *           |
| 3343634                  | 0,805  | **          |

**ZAMKI Z RYGLEM - Bolt Locks**



Zamknięcie z długim rygłem 73 mm, stal cynkowana.  
 Zinc plated steel lock with long shoot bolt 73 mm.

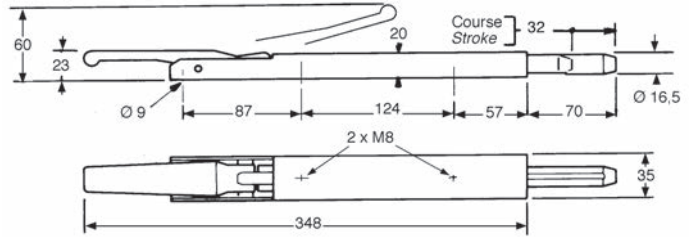
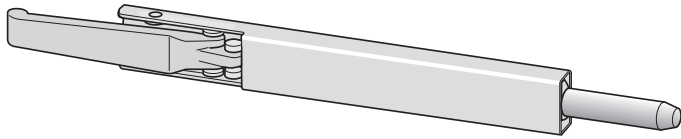
| Nr katalog.<br>Reference | / Kg |
|--------------------------|------|
| 3343631                  | 0,95 |




Zamknięcie z dźwigną odchylaną, stalowe, zabezpieczone metodą kataforezy.  
 Locking gear with handle that can be folded on cataphoresis plated steel.

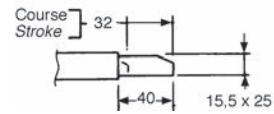
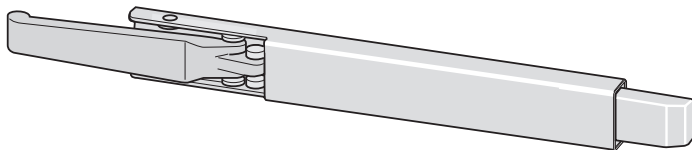
| Nr katalog.<br>Reference | / Kg |
|--------------------------|------|
| 3343635                  | 0,87 |

**ZAMKI Z RYGLEM - BOLT LOCKS**

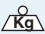


Zamknięcie z rygłem okrągłym, stal cynkowana.  
*Round cam zinc plated steel lock.*

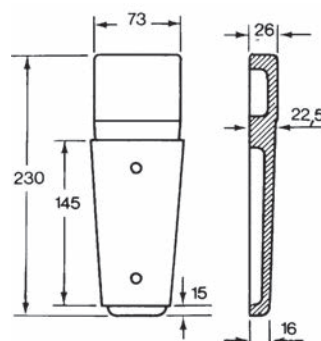
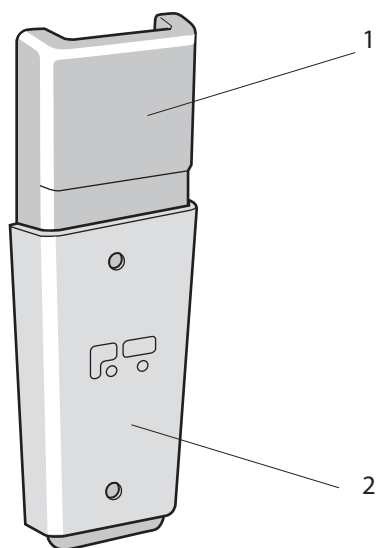
| Nr katalog.<br>Reference |  |
|--------------------------|---|
| 3343623                  | 1,075   |



Zamknięcie burty z rygłem pryzmatycznym, stal cynkowana.  
*Rectangular cam zinc plated steel lock.*

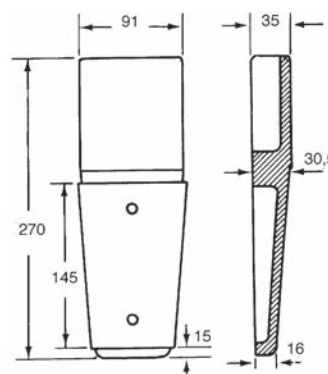
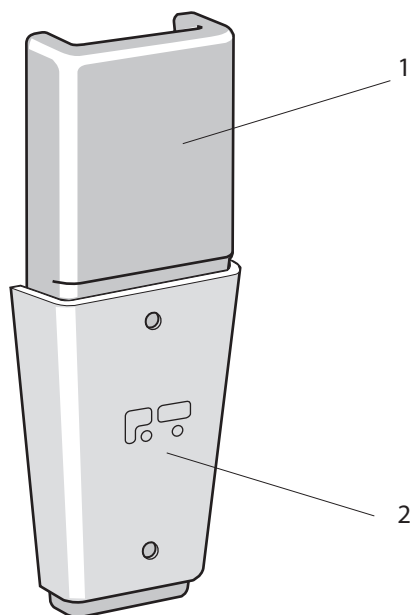
| Nr katalog.<br>Reference |  |
|--------------------------|---|
| 3343637                  | 1,055   |

STOPY KLONICY - CONIC PILLARS



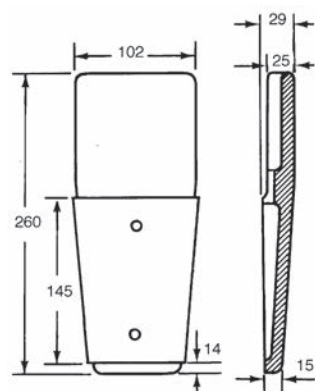
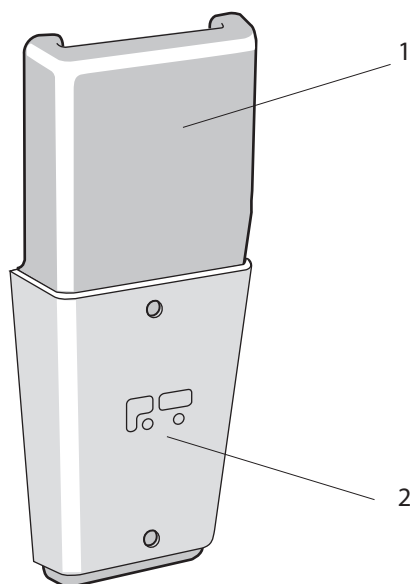
Stopa kłonicy kompletna, obejmą z blachy stalowej o gr. 4 mm kutej matrycowo A50, do słupka 80 x 30 x 3 mm.  
*Conic pillar assembly, A 50 drop-forged steel, 4 mm thickness, steel socket, for 80 x 30 x 3 mm pillar.*

| Nr katalog.<br>Reference | $\frac{Kg}{}$ | Grubość<br>Thickness | Typ<br>Type |
|--------------------------|---------------|----------------------|-------------|
| 3543640                  | 2,01          | 4                    | -           |
| 3543640 GO               | 0,43          | 4                    | 2           |
| 3543640 RA               | 1,58          |                      | 1           |




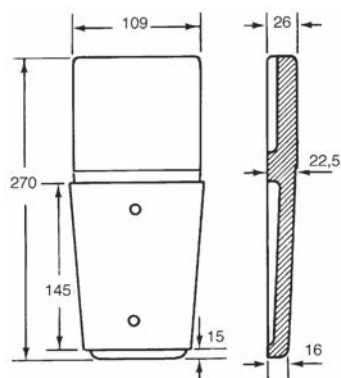
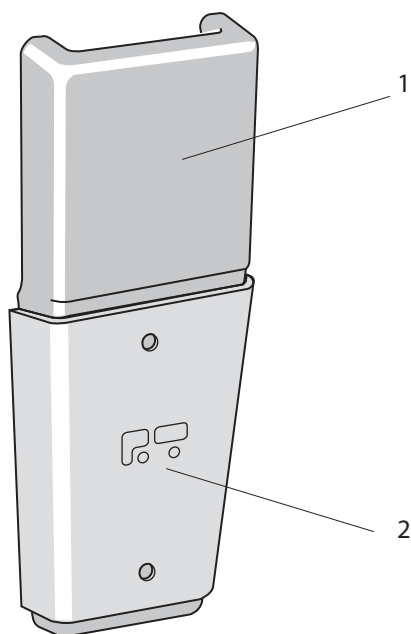
Stopa kłonicy kompletna, obejmą z blachy stalowej o gr. 4 mm kutej matrycowo A50, do słupka 100 x 40 x 4 mm.  
*Conic pillar assembly, A 50 drop-forged steel, 4 mm thickness, steel socket, for 100 x 40 x 4 mm pillar.*

| Nr katalog.<br>Reference | $\frac{Kg}{}$ | Grubość<br>Thickness | Typ<br>Type |
|--------------------------|---------------|----------------------|-------------|
| 3543641                  | 3,29          | 4                    | -           |
| 3543641 GO               | 0,52          | 4                    | 2           |
| 3543641 RA               | 2,77          |                      | 1           |


**STOPY KŁONICY - CONIC PILLARS**


Stopa kłonicy kompletna, obejmą z blachy stalowej o gr. 5 mm kutej matrycowo A50, do słupka 110 x 30 x 4 mm.  
*Conic pillar assembly, A 50 drop-forged steel, 5 mm thickness, steel socket, for 110 x 30 x 4 mm pillar.*

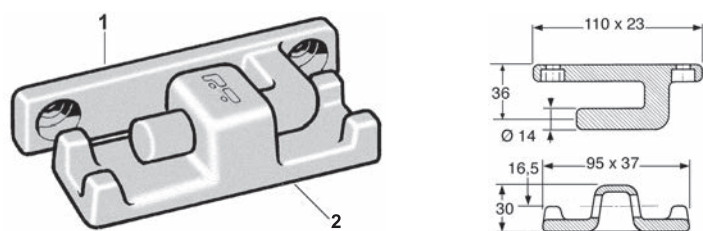
| Nr katalog.<br>Reference |  Kg | Grubość<br>Thickness | Typ<br>Type |
|--------------------------|--|----------------------|-------------|
| 3543644                  | 3,5  | 5                    | -           |
| 3543644 GO               | 0,7  | 5                    | 2           |
| 3543644 RA               | 2..8   |                      | 1           |



Stopa kłonicy kompletna, obejmą z blachy stalowej o gr. 5 mm kutej matrycowo A50, do słupka 120 x 30 x 4 mm.  
*Conic pillar assembly, A 50 drop-forged steel, 5 mm thickness, steel socket, for 120 x 30 x 4 mm pillar.*

| Nr katalog.<br>Reference |  Kg | Grubość<br>Thickness | Typ<br>Type |
|--------------------------|--|----------------------|-------------|
| 3543642                  | 3,6  | 5                    | -           |
| 3543642 GO               | 0,7  | 5                    | 2           |
| 3543642 RA               | 2,9  |                      | 1           |

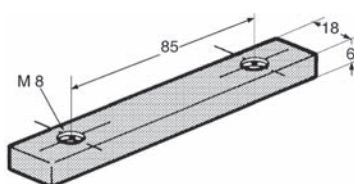
**PRZEGUBY BURTY - DROPSIDE HINGES**



Zawias do bocznego wyhaczania burty, kompletny, stal cynkowana.

*Complete dropside hinge, laterally unhooking, zinc plated gudgeon with securing holes, zinc plated steel bracket.*

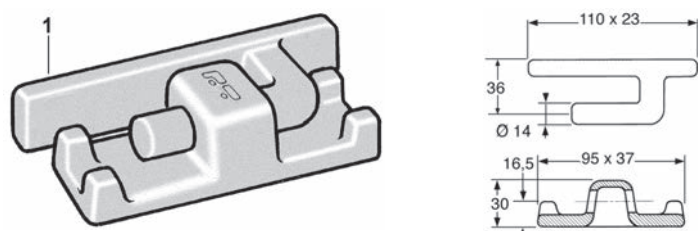
| Nr katalog.<br>Reference | $\triangle$ Kg | Typ<br>Type |
|--------------------------|----------------|-------------|
| 3543617                  | 0,58           | -           |
| 3543617GO                | 0,305          | 1           |
| 3543617SU                | 0,275          | 2           |



Płytkę ze stali cynkowanej do zawiasu burty.  
Dla 3543617.

*Zinc plated steel brace for dropside hinge. For 3543617.*

| Nr katalog.<br>Reference | $\triangle$ Kg | Dla<br>For |
|--------------------------|----------------|------------|
| 3543620                  | 0,14           | 3543617    |

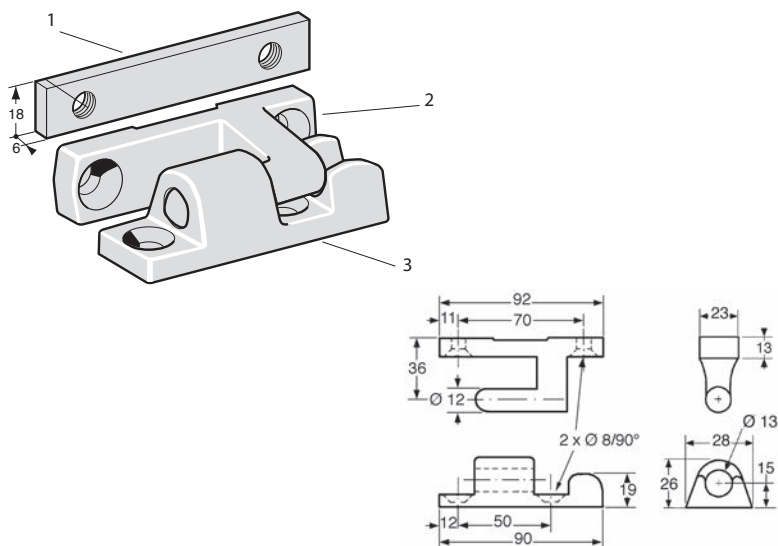


Zawias kpl. do bocznego wyhaczania burty, czop bez otworów, ucho stal surowa.

*Complete dropside hinge, laterally unhooking, zinc plated gudgeon, zinc plated steel bracket.*

| Nr katalog.<br>Reference | $\triangle$ Kg | Typ<br>Type |
|--------------------------|----------------|-------------|
| 3543617NP                | 0,59           | -           |
| 3543617GN                | 0,305          | 1           |

15

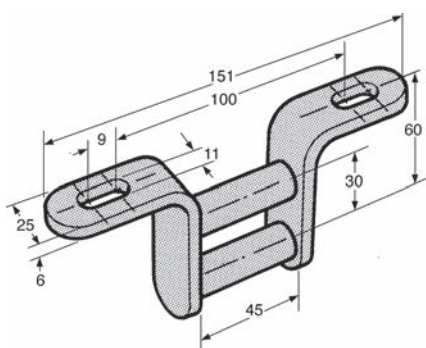


Zawias kpl. do bocznego wyhaczania burty model mały stal galwanizowana płytka stal ocynk.

*Small dropside hinge complete, unhooked laterally, zinc plated steel fixing plate.*

| Nr katalog.<br>Reference | $\triangle$ Kg | Typ<br>Type | Zakończyć<br>Finish       |
|--------------------------|----------------|-------------|---------------------------|
| 3543656GA                | 0,485          | -           | Ocynkowany<br>Galvanized  |
| 3543656BA                | 0,080          | 1           | Ocynkowana<br>Zinc plated |
| 3543656SA                | 0,220          | 2           | Ocynkowany<br>Galvanized  |
| 3543656HG                | 0,185          | 3           | Ocynkowany<br>Galvanized  |

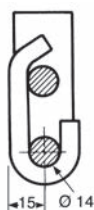
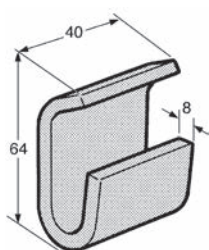
**PRZEGUBY BURTY - DROPSIDE HINGES**



Zawias dla ściany bocznej, tylko przegub, z otworami, stalowy, cynkowany.

*Hinge with securing holes.*

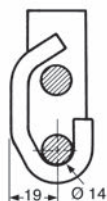
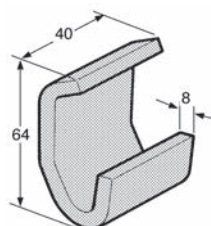
| Nr katalog.<br>Reference | $\frac{Kg}{\Delta}$ | Zakończyć<br>Finish            |
|--------------------------|---------------------|--------------------------------|
| 3543621 S                | 0,35                | Ocynkowany<br>Galvanized steel |



Sam zaczep do przegubów 3543621S i 3543624, stal surowa.

*Self colour steel bracket for hinges 3543621S and 3543624.*

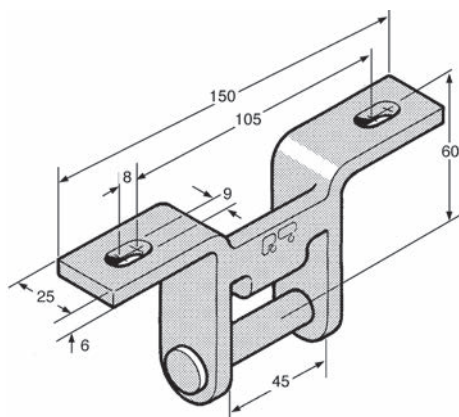
| Nr katalog.<br>Reference | $\frac{Kg}{\Delta}$ | Dla<br>For          |
|--------------------------|---------------------|---------------------|
| 3543625                  | 0,25                | 3543621S<br>3543624 |



Sam zaczep odsadzony do przegubów 3543621S, i 3543624, stal surowa.

*Self colour steel bracket for hinges 3543621S and 3543624.*

| Nr katalog.<br>Reference | $\frac{Kg}{\Delta}$ | Dla<br>For          |
|--------------------------|---------------------|---------------------|
| 3543626                  | 0,25                | 3543621S<br>3543624 |



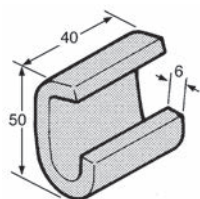
Przegub burty, wiercony (tylko), stal z pokryciem dacromet.

*Dacromet steel hinge with securing holes.*

| Nr katalog.<br>Reference | $\frac{Kg}{\Delta}$ |
|--------------------------|---------------------|
| 3543637                  | 0,33                |



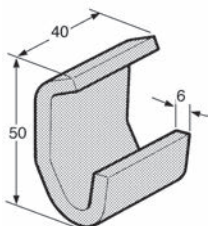
PRZEGUBY BURTY - *DROPSIDE HINGES*



Sam uchwyt z burty surowy, przeznaczony dla przegubu 3543637.

*Self colour steel bracket for the hinge 3543637.*

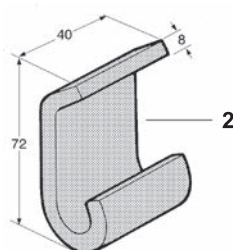
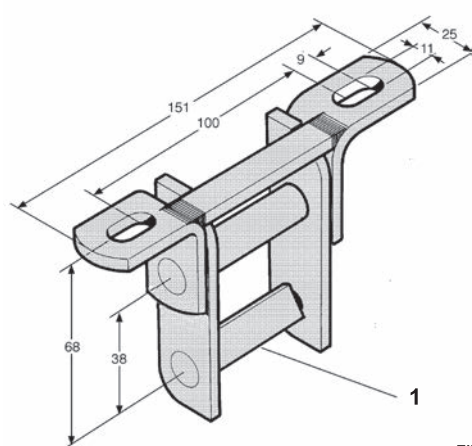
| Nr katalog.<br>Reference | Kg   | Dla<br>For |
|--------------------------|------|------------|
| 3543638                  | 0,18 | 3543637    |



Zaczepek (tylko) odsadzony do przegubu 3543637, stal surowa.

*Self colour steel bracket for the hinge 3543637.*

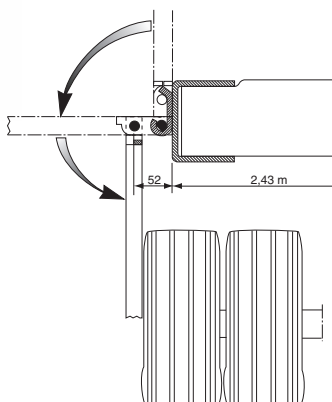
| Nr katalog.<br>Reference | Kg   | Dla<br>For |
|--------------------------|------|------------|
| 3543648                  | 0,18 | 3543637    |



Przegub burty podwójny, kompletny.

*Complete double articulation dropside hinge.*

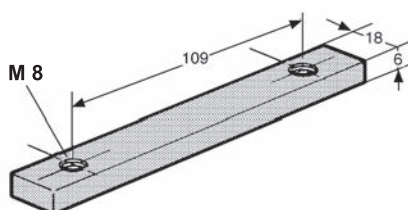
| Nr katalog.<br>Reference | Kg    | Typ<br>Type |
|--------------------------|-------|-------------|
| 3543616                  | 0,745 | -           |
| 3543616AR                | 0,480 | 1           |
| 3543616SU                | 0,265 | 2           |



Przegub podwójny zawiasu pozwala zupełnie opuścić burtę skrzyni ładunkowej, odsuwając jej oś obrotu o 52 mm od podłużnicy ramy.

*The double articulation of this hinge allows the dropside to fold back completely, moving a side the axis of rotation of 52 mm related to the siderave.*

15



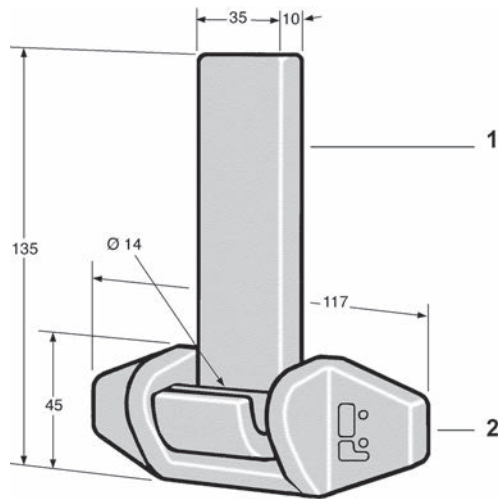
Płytkę ze stali cynkowanej do zawiasu burty.

*Zinc plated steel brace for dropside hinge.*

| Nr katalog.<br>Reference | Kg   | Dla<br>For                      |
|--------------------------|------|---------------------------------|
| 3543618                  | 0,16 | 3543616<br>3543621 S<br>3543637 |

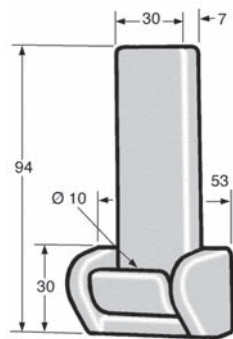


**PRZEGUBY BURTY - DROPSIDE HINGES**



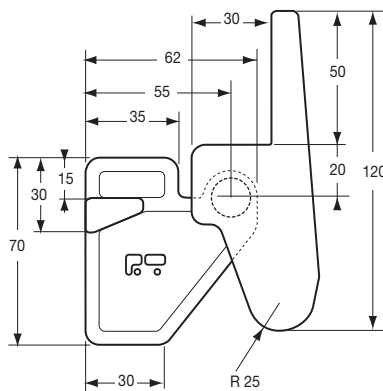
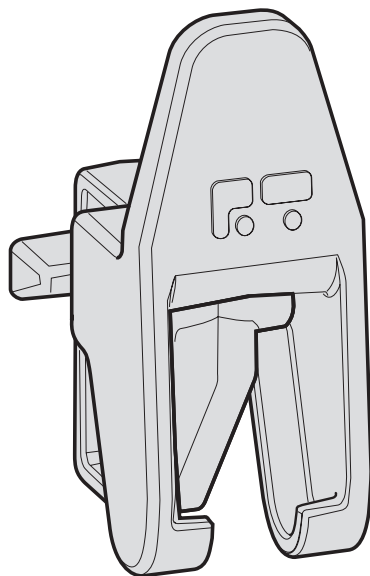
Kompletny zawias wyhaczany, ze stali surowej.  
*Complete removable hinge, self colour steel.*

| Nr katalog.<br>Reference | Kg    | Typ<br>Type |
|--------------------------|-------|-------------|
| 3444036                  | 0,95  | -           |
| 3444036PE                | 0,43  | 1           |
| 3444036SU                | 0,435 | 2           |



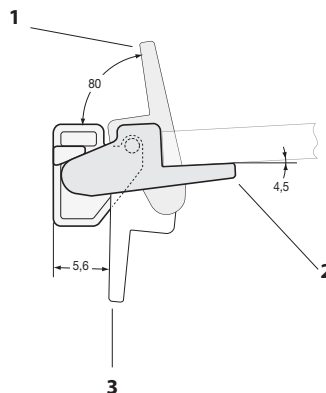
Kompletny zawias wyhaczany, stalowy, lakierowany.  
*Complete removable hinge, painted steel.*

| Nr katalog.<br>Reference | Kg  |
|--------------------------|-----|
| 3444041                  | 0,3 |



Zawias burty trójpołożeniowy, stal surowa.  
*3 positions hinge, self colour steel.*

| Nr katalog.<br>Reference | Kg   |
|--------------------------|------|
| 3543578                  | 0,93 |



1 : Położenie całkowite zamknięcia. 2 : Położenie pośrednie. 3 : Położenie maksymalnego otwarcia.  
*1 : Closed maxi. 2 : Middle position. 3 : Opened maxi.*



# MOCOWANIA / OCHRONA / ZABEZPIECZENIE

Ucha, wykładziny, taśmy, ucha, gaśnice, lusterka, klamki

## LASHING / PROTECTION / SECURITY

Lashing rings, padding, straps, extinguishers, rear-view mirror, handles



16

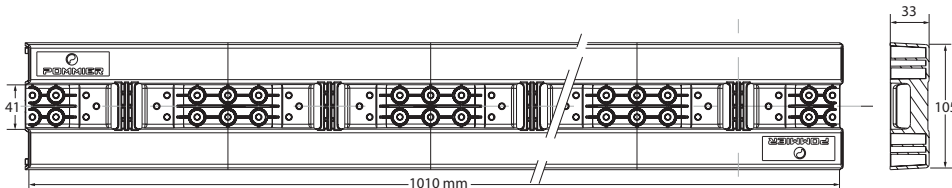


**PROFILE KRYTE WYKŁADZINĄ - PADDING PROFILES**



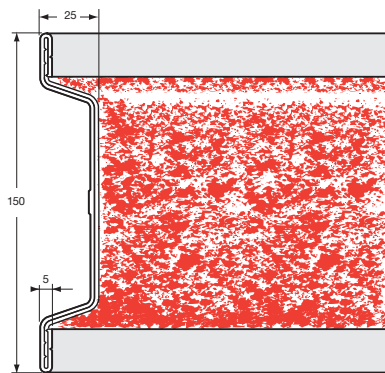
BRIKS podwójny profil wykonany z plastikowy ABS.  
(\*Inne kolory na zamówienie).  
*BRIKS double padding profile, ABS plastic.*  
(\*For more colors please contact us).

| Nr katalog.<br>Reference | $\frac{Kg}{m}$ | Długość<br>Length | Szerokość<br>Width | Kolor<br>Colour   | Tworzywo<br>Material |
|--------------------------|----------------|-------------------|--------------------|-------------------|----------------------|
| 3655140                  | 0,740          | 1010              | 105                | Czarny*<br>Black* | ABS                  |



Korek końcowy do profilu BRIKS.  
*End cap for double padding profile BRIKS.*

| Nr katalog.<br>Reference | $\frac{Kg}{m}$ |
|--------------------------|----------------|
| 3655141                  | 0,018          |



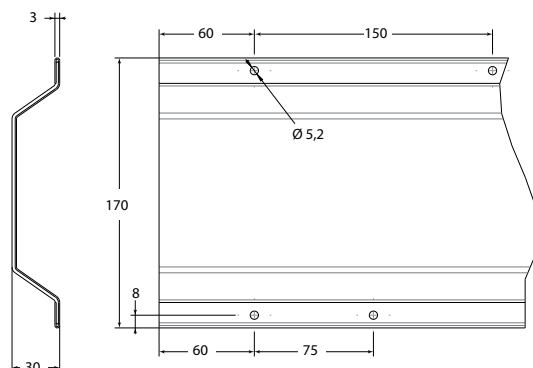
Profil, surowe aluminium, kryty czerwoną  
wykładziną.  
*Red padding profile, raw aluminium.*

| Nr katalog.<br>Reference | $\frac{Kg}{m}$ | Długość<br>Length |
|--------------------------|----------------|-------------------|
| 3655115                  | 5,42           | 4500              |

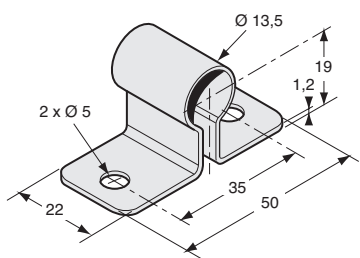


Profil kryty czerwoną wykładziną, stal cynkowana.  
*Red padding profile, galvanized steel.*

| Nr katalog.<br>Reference | $\frac{Kg}{m}$ | Długość<br>Length |
|--------------------------|----------------|-------------------|
| 3655130RO                | 6,975          | 5000              |

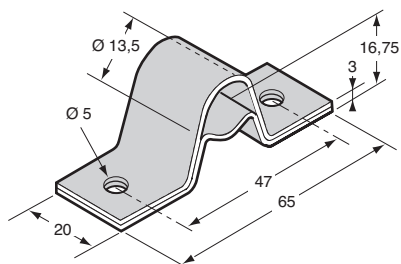


RURY I WSPORNIKI, STAL CYNKOWANA - ZINC PLATED TUBES AND BRACKETS



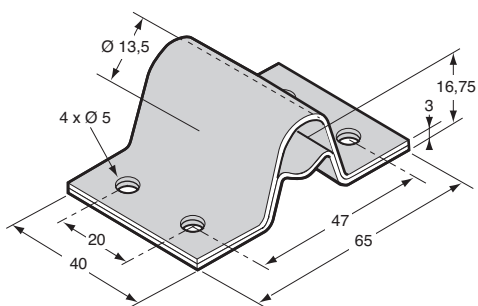
Wspornik rury Ø 13, ze stali cynkowanej.  
Zinc plated steel bracket for Ø 13 tube.

| Nr katalog.<br>Reference |      |     |
|--------------------------|------|-----|
| 3655121                  | 0,03 | 100 |



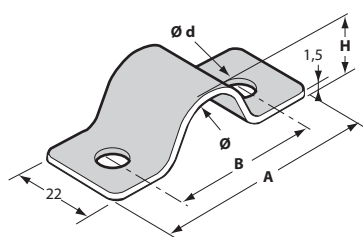
Wspornik ze stali cynkowanej.  
Zinc plated steel bracket.

| Nr katalog.<br>Reference |       |     |
|--------------------------|-------|-----|
| 3655112                  | 0,035 | 100 |



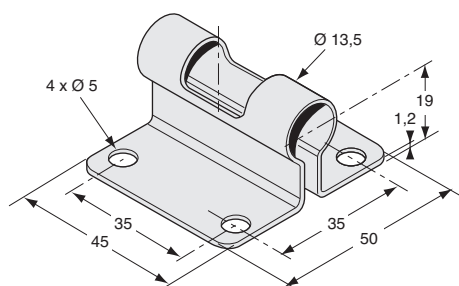
Wspornik ze stali cynkowanej.  
Zinc plated steel bracket.

| Nr katalog.<br>Reference |     |     |
|--------------------------|-----|-----|
| 3655116                  | 0,1 | 250 |



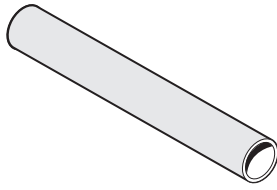
Wspornik ze stali cynkowanej.  
Zinc plated steel staple.

| Nr katalog.<br>Reference |       | Ø  | A  | B  | H    | Ø d |
|--------------------------|-------|----|----|----|------|-----|
| 3655107                  | 0,018 | 13 | 63 | 43 | 13,5 | 5   |
| 3655108                  | 0,018 | 16 | 68 | 40 | 16,5 | 6,5 |
| 3655111                  | 0,025 | 17 | 68 | 50 | 17   | 6,5 |



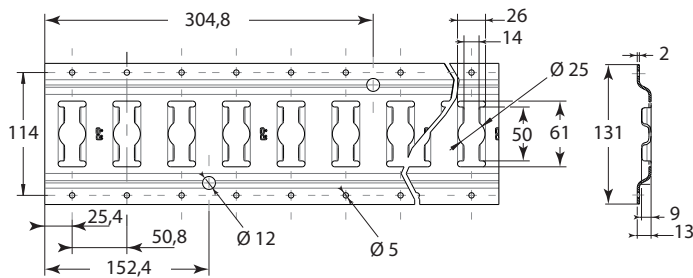
Wspornik rury Ø 13 stal cynkowana.  
Galvanized steel bracket for Ø 13 tube.

| Nr katalog.<br>Reference |      |    |
|--------------------------|------|----|
| 3655120                  | 0,05 | 50 |

**RURY I WSPORNIKI, STAL CYNKOWANA - ZINC PLATED TUBES AND BRACKETS**


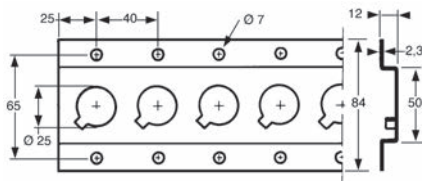
Wspornik rury stal cynkowana  $\varnothing 13 \times 1,5$  mm.  
*Zinc plated steel lashing tube,  $\varnothing 13 \times 1,5$  mm.*

| Nr katalog.<br>Reference | $\frac{\text{Kg}}{\text{m}}$ | $\varnothing$ | Długość<br>Length |
|--------------------------|------------------------------|---------------|-------------------|
| 3655125                  | 0,43                         | 13            | 5000              |

**SZYNY MOCUJĄCE - LASHING TRACKS**


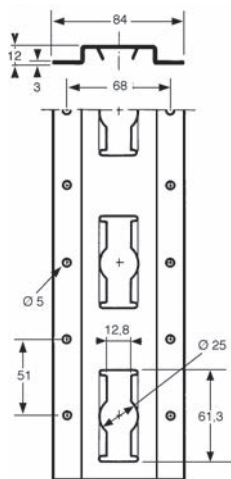
Szyna pozioma, stal.  
*Steel horizontal track.*

| Nr katalog.<br>Reference | Długość<br>Length | Zakończyć<br>Finish                |
|--------------------------|-------------------|------------------------------------|
| 3655090                  | 3050              | Ocynkowany<br>Galvanized           |
| 3655090IN                | 3050              | Stal nierdzewna<br>Stainless steel |



Szyna pozioma, stal.  
*Steel horizontal track.*

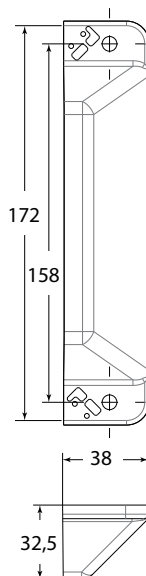
| Nr katalog.<br>Reference | $\frac{\text{Kg}}{\text{m}}$ | Długość<br>Length | Zakończyć<br>Finish                |
|--------------------------|------------------------------|-------------------|------------------------------------|
| 3655086                  | 5                            | 3050              | Ocynkowana<br>Zinc plated          |
| 3655086IN                | 5                            | 3050              | Stal nierdzewna<br>Stainless steel |



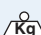
Szyna pionowa, stal cynkowana.  
*Zinc plated steel vertical track.*

| Nr katalog.<br>Reference | $\frac{\text{Kg}}{\text{m}}$ | Długość<br>Length |
|--------------------------|------------------------------|-------------------|
| 3655089                  | 4,6                          | 2440              |

KOŃCÓWKI - TRACK END CAP



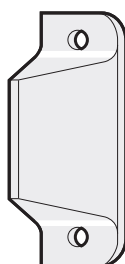
Końcówka szara do profilu krytego  
wykładziną 3655130RO.  
*Grey end cap for padding profile 3655130RO.*

| Nr katalog.<br>Reference |  Kg |
|--------------------------|--|
| 3655130EM                | 0,040  |



Końcówka szara do szyny 3655088.  
*End cap, grey for track 3655088.*

| Nr katalog.<br>Reference |  Kg | Dla<br>For |
|--------------------------|--|------------|
| 3655101                  | 0,015  | 3655088    |



Końcówka szara szyny 3655086.  
*End cap, grey for track 3655086.*

| Nr katalog.<br>Reference |  Kg | Dla<br>For |
|--------------------------|--|------------|
| 3655099                  | 0,007  | 3655086    |



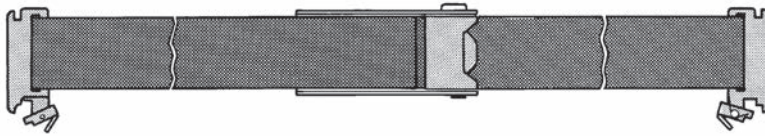
**TAŚMY - LASHING STRAP**



Taśma niebieska obciążenie dopuszczalne 6 t.

*Blue lashing strap, break strength 6 t.*

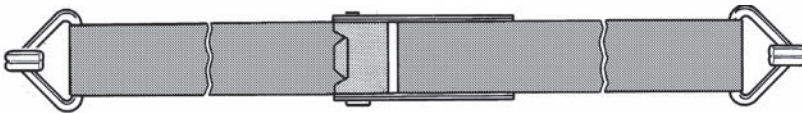
| Nr katalog.<br>Reference | $\frac{\Delta}{Kg}$ | Długość<br>Length | Szerokość<br>Width |
|--------------------------|---------------------|-------------------|--------------------|
| 3655105                  | 7                   | 100 m             | 50                 |



Taśma kompletna do mocowania ładunków z napinaczem i okuciami zaczepów : obciążenie dopuszczalne 3 t.

*Lashing strap assembly with tension buckle and track latch end fitting, break strength : 3 t.*

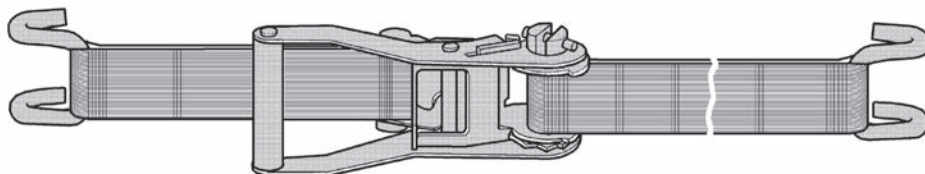
| Nr katalog.<br>Reference | $\frac{\Delta}{Kg}$ | Długość<br>Length | Szerokość<br>Width |
|--------------------------|---------------------|-------------------|--------------------|
| 3655097                  | 0,95                | 3500              | 50                 |



Taśma kompletna do mocowania ładunków z napinaczem i krótkim uniwersalnym hakiem, obciążenie dopuszczalne 3 t.

*Lashing strap assembly with tension buckle and wire hook end fitting, break strength : 3 t.*

| Nr katalog.<br>Reference | $\frac{\Delta}{Kg}$ | Długość<br>Length | Szerokość<br>Width |
|--------------------------|---------------------|-------------------|--------------------|
| 3655098                  | 0,9                 | 3500              | 50                 |

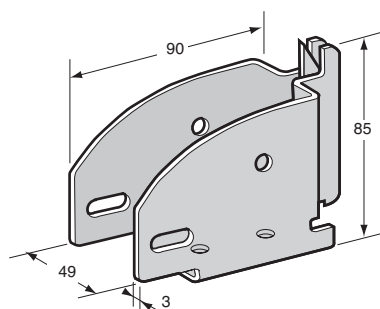


Taśma długości 9 m i szerokości 50 mm do mocowania ładunków, z klamrą zapadkową napinacza i zaczepami do półek podłużnic ramy, obciążenie dopuszczalne 5 t.

*Ratchet tensioner with siderave hook, break strength : 5 t.*

| Nr katalog.<br>Reference | $\frac{\Delta}{Kg}$ | Długość<br>Length | Szerokość<br>Width |
|--------------------------|---------------------|-------------------|--------------------|
| 3644283                  | 2,75                | 9000              | 50                 |

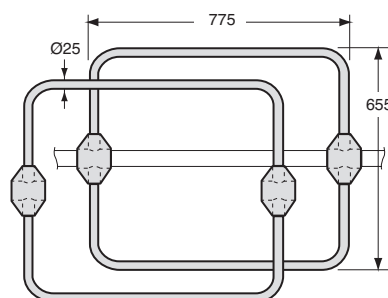
**DRAŻKI TELESKOPOWE I WIESZAKI NA UBRANIA - TELESCOPIC RODS AND GARMENT RAILS**



Kieszień ze stali cynkowanej chromianowana, do mocowania podłogi dodatkowej i drążków do zawieszania odzieży, obciążenie maksymalne 230 kg.

*Yellow zinc plated steel beam bracket for decking and garments rails, maximum load capacity : 230 kg.*

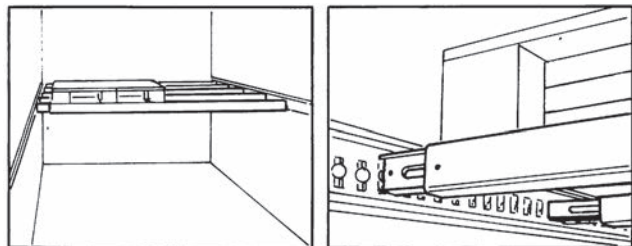
| Nr katalog.<br>Reference | Kg    |
|--------------------------|-------|
| 3655096                  | 0,428 |



Zestaw pałąków dla drążków teleskopowych Ø 42 mm.

*Arch kit for spring shoring bars Ø 42 mm.*

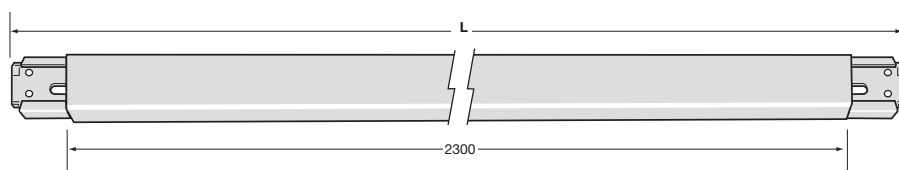
| Nr katalog.<br>Reference | Kg  |
|--------------------------|-----|
| 3655072                  | 5,5 |



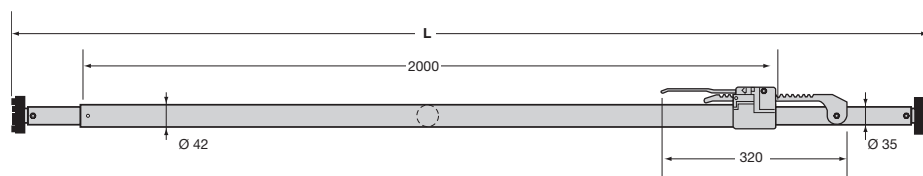
Belka podporowa 90 x 65 mm, aluminium surowe, długość regulowana od 2360 do 2600 mm, dopuszczalne obciążenie ciągłe do 450 kg, dla szyn 3555088 i 3655089.

*Shoring bar, self colour aluminium, 90 x 65 mm, adjustable length L 2360 mm to 2600 mm, rail capacity 450 kg, for track 3655088 and 3655089.*

| Nr katalog.<br>Reference | Kg | Długość<br>Length | Dla<br>For         |
|--------------------------|----|-------------------|--------------------|
| 3655066                  | 10 | 2360>2600         | 3655088<br>3655089 |



16



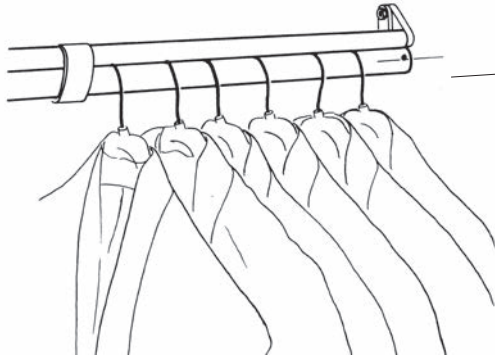
Drażek sprężynowy rozprężny, surowe aluminium, długość regulowana od 2300 do 2940 mm.

*Self colour aluminium spring shoring bar, adjustable length L 2300 to 2940 mm.*

| Nr katalog.<br>Reference | Kg  | Długość<br>Length |
|--------------------------|-----|-------------------|
| 3655068                  | 5,1 | 2300>2940         |

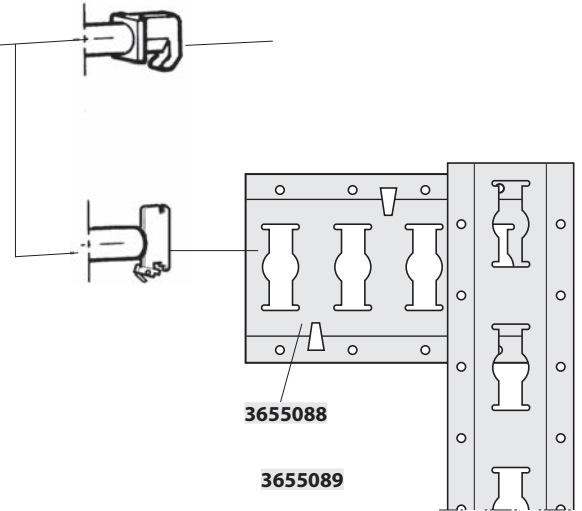
**DRAŻKI TELESKOPOWE I WIESZAKI NA UBRANIA - TELESCOPIC RODS AND GARMENT RAILS**

**DRAŻKI WIESZAKÓW DO ODZIEŻY  
GARMENT RAILS**



Końcówka plastikowa nr 1.  
*Plastic end cap n° 1.*

Końcówka spłaszczona nr 3  
dla **3655088** i **3655089**.  
*End cap n° 3 for  
**3655088** and **3655089**.*



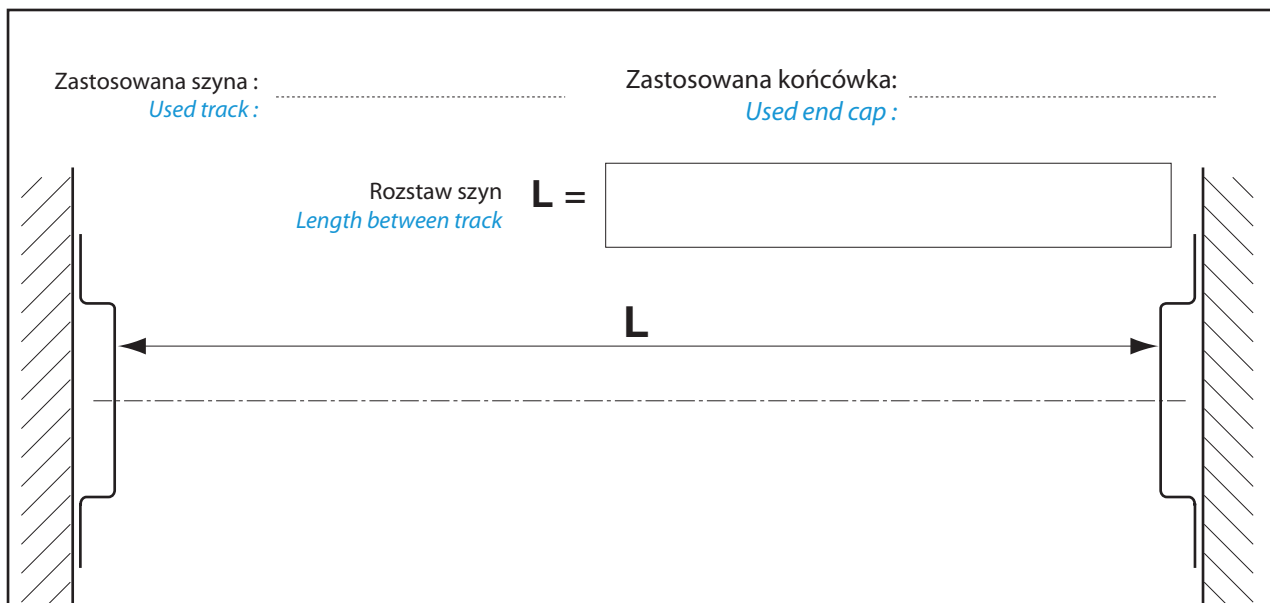
Drażki do zawieszania odzieży są chromowane lub cynkowane. Stopki oporowe, należy dobierać do typu drążków. Długość drążków - wg zamówienia (zmierzyć szerokość wewnętrzną między ścianami nadwozia).

Dopuszczalne obciążenie : 250 kg.

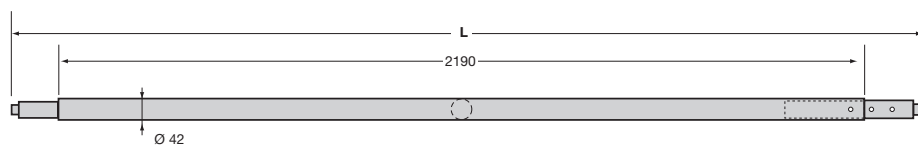
*Chromed or zinc plated garment rails. The garment end cap must be adapted to the used rail.*

*Length: as required according distance between body sides.*

*Rail capacity : 250 kg.*



## DRAŻKI TELESKOPOWE I WIESZAKI NA UBRANIA - *TELESCOPIC RODS AND GARMENT RAILS*



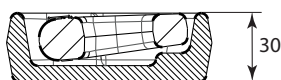
Drażek teleskopowy, stal cynkowana, długość regulowana od 2220 do 2600 mm, z końcówką Ø 24 mm dla szyny 3655086.  
*Zinc plated steel spring shoring bar, adjustable length L 2220 mm to 2600 mm, with tip Ø 24 mm, for 3655086 track.*

| Nr katalog.<br><i>Reference</i> |  <i>Kg</i> | Długość<br><i>Length</i> | Dla<br><i>For</i> |
|---------------------------------|---|--------------------------|-------------------|
| 3655070                         | 8,8   | 2220>2600                | 3655086           |

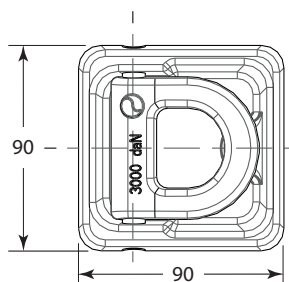
## UCHA DO MOCOWANIA ŁADUNKU - *LASHING RINGS*



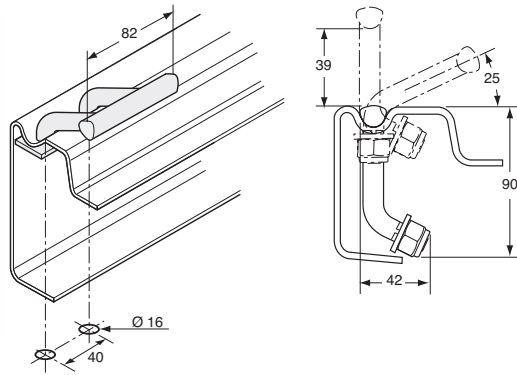
Ucho do mocowania ładunku, odchylane, stal surowa. Patrz specyfikacje spawania, referencja 2905926FT.  
*(Próba wytrzymałości wg normy EN12640)*  
*Steel pivoting ring, self colour. See welding specifications reference: 2905926FT.*  
*(Test according to EN12640)*



| Nr katalog.<br><i>Reference</i> |  <i>Kg</i> | Pojemność<br><i>Capacity</i> |
|---------------------------------|---|------------------------------|
| 3643838                         | 1,185   | 3 t                          |



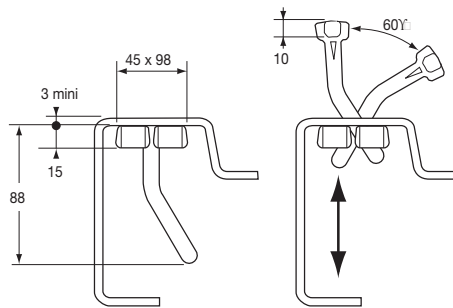
**UCHA DO MOCOWANIA ŁADUNKU - LASHING RINGS**



Zaczepek do mocowania ładunku, stal cynkowana. (Próba wytrzymałości wg normy EN12640)  
*Steel lashing ring, zinc plated.*  
(Test according to EN12640)



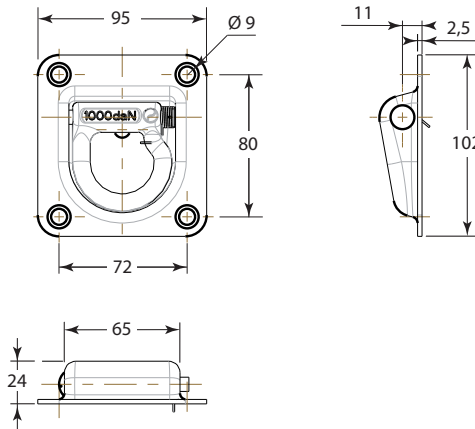
| Nr katalog.<br>Reference | Kg   |    | Pojemność<br>Capacity |
|--------------------------|------|----|-----------------------|
| 3643829                  | 0,34 | 10 | 2,5 t                 |



Ucho do mocowania ładunku, stal cynkowana. Patrz specyfikacje spawania, referencja 2905926FT. (Próba wytrzymałości wg normy EN12640)  
*Steel lashing ring, zinc plated. See welding specifications reference: 2905926FT.*  
(Test according to EN12640)



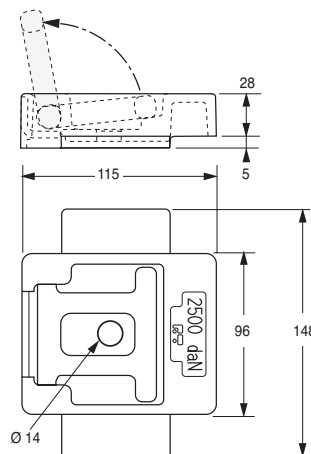
| Nr katalog.<br>Reference | Kg   |    | Pojemność<br>Capacity |
|--------------------------|------|----|-----------------------|
| 3643828                  | 0,55 | 25 | 3 t                   |



Ucho odchylane do mocowania ładunków, stal cynkowana. Montaż: 4 śruby FHC M6, klasa 10.9, C = 40 Nm. (Próba wytrzymałości wg normy EN12640)  
*Pivoting lashing ring with spring, galvanized, mounting by 4 screws FHC M6 class 10.9, C = 40 Nm.*  
(Test according to EN12640)



| Nr katalog.<br>Reference | Kg    | Pojemność<br>Capacity |
|--------------------------|-------|-----------------------|
| 3643837                  | 0,396 | 1 t                   |

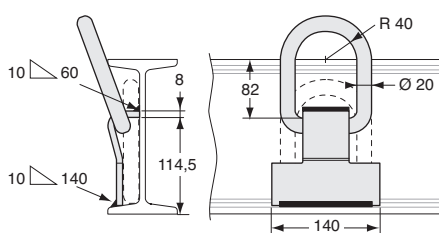
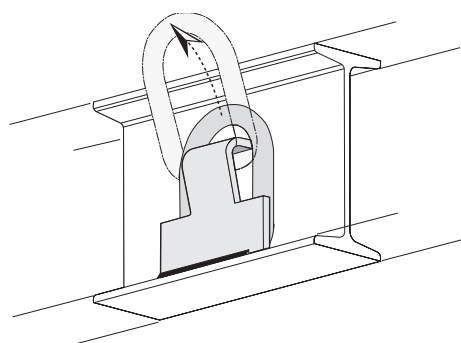


Ucho do mocowania ładunku, odchylane, stal cynkowana. Montaż: 1 śruba M14, klasa 8.8, C = 111 Nm + 2 śruby M10, klasa 8.8, C = 40 Nm. (Próba wytrzymałości wg normy EN12640)  
*Pivoting ring, zinc plated steel, mounting with 1 screw M14 class 8.8, C = 111 Nm + 2 screws M10 class 8.8, C = 40 Nm.*  
(Test according to EN12640)



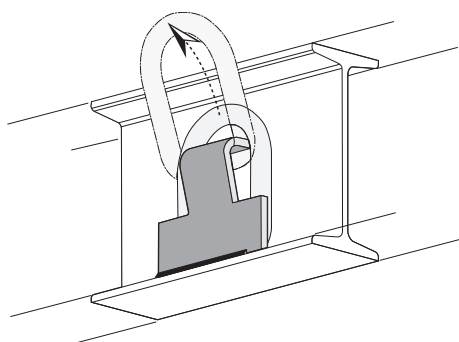
| Nr katalog.<br>Reference | Kg  | Dziura<br>Hole | Pojemność<br>Capacity |
|--------------------------|-----|----------------|-----------------------|
| 3643799                  | 1,4 | 11             | 2,5 t                 |

**UCHA DO MOCOWANIA ŁADUNKU - LASHING RINGS**



Ucho do mocowania ładunku, stal cynkowana. Patrz specyfikację spawania, referencja 2905926FT. (Próba wytrzymałości wg normy EN12640) **TÜV**  
*Galvanized steel lashing ring. See welding specifications reference: 2905926FT. (Test according to EN12640)*

| Nr katalog.<br>Reference | Kg   | Pojemność<br>Capacity |
|--------------------------|------|-----------------------|
| 3643798AG                | 1,02 | 7 t                   |



Wspornik dla ucha 3643798AG. Patrz specyfikację spawania, referencja 2905926FT. **TÜV**  
*Bracket only for lashing ring 3643798AG. See welding specifications reference: 2905926FT.*

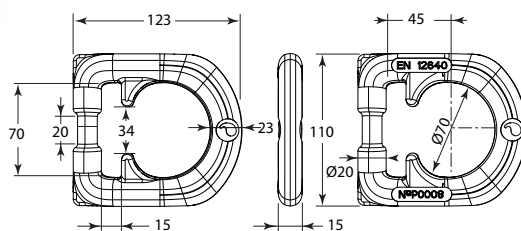
| Nr katalog.<br>Reference | Kg   |
|--------------------------|------|
| 3643798                  | 0,84 |



Zestaw ucha mocowania ładunku o nośności 8 t i przeznaczeniu cywilnym mocowane techniką spawania. Specyfikacja spawania jak przy 2905926FT. (Test zgodny z normą EN12640) **TÜV**  
*Kit of civil lashing ring capacity 8 t with bracket to weld. See welding specifications reference 2905926FT. (Test according to EN12640)*

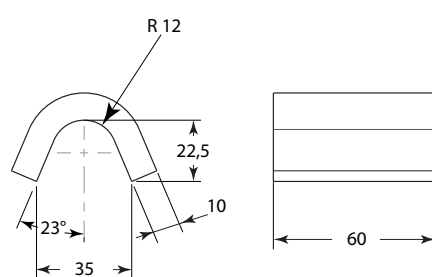
| Nr katalog.<br>Reference | Kg   | Zakończyć<br>Finish | Pojemność<br>Capacity |
|--------------------------|------|---------------------|-----------------------|
| 3643794SO                | 1,24 | Brutto<br>Raw       | 8 t                   |

16



Ucho mocowania ładunku o przeznaczeniu cywilnym. Nośność 8 t zgodne z normą EN12640. **TÜV**  
*Civil lashing ring only capacity 8 t according to EN12640.*

| Nr katalog.<br>Reference | Kg   | Zakończyć<br>Finish            | Pojemność<br>Capacity |
|--------------------------|------|--------------------------------|-----------------------|
| 3643794AB                | 0,90 | Brutto<br>Raw                  | 8 t                   |
| 3643794AG                | 0,90 | Ocynkowany<br>Galvanized steel | 8 t                   |



Uchwyt mocujący do ucha. Mocowanie techniką spawania. Specyfikacja spawania jak dla 2905926FT. **TÜV**  
*Bracket to weld for rings. See welding specifications Reference 2905926FT.*

| Nr katalog.<br>Reference | Kg   | Dla<br>For                                   | Zakończyć<br>Finish |
|--------------------------|------|--|---------------------|
| 3643907                  | 0,34 | 3643904<br>3643905<br>3643794AB<br>3643794AG | Brutto<br>Raw       |



**UCHA DO MOCOWANIA ŁADUNKU - LASHING RINGS**


Zestaw ucha mocowania ładunku o nośności 13 t i przeznaczeniu cywilnym mocowane techniką spawania. Specyfikacja spawania jak przy 2905926FT. (Test zgodny z normą EN12640)



*Kit of civil lashing ring capacity 13 t with bracket to weld. See welding specifications reference 2905926FT. (Test according EN12640)*

| Nr katalog.<br>Reference | $\frac{\text{Kg}}{\text{kg}}$ | Pojemność<br>Capacity |
|--------------------------|-------------------------------|-----------------------|
| 3643908SO                | 1,80                          | 13 t                  |



Zestaw ucha mocowania ładunku o nośności 13 t i przeznaczeniu cywilnym na 4 śruby M14 klasy 10.9. (Test zgodny z normą EN12640)



*Kit of civil lashing ring capacity 13 t with bracket to screw. Mounting by 4 hexagonal cylindrical hollow screws M14 class 10.9. (Test according EN12640)*

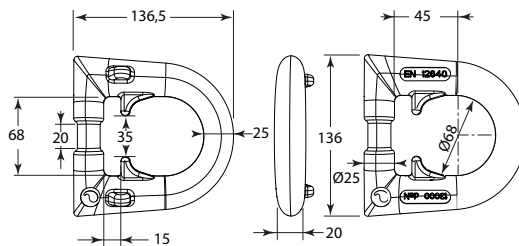
| Nr katalog.<br>Reference | $\frac{\text{Kg}}{\text{kg}}$ | Pojemność<br>Capacity |
|--------------------------|-------------------------------|-----------------------|
| 3643909VI                | 2,03                          | 13 t                  |



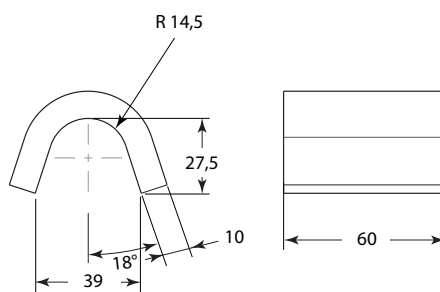
Ucho mocowania ładunku o przeznaczeniu cywilnym. Nośność 13 t zgodnie z normą EN12640.



*Civil lashing ring only capacity 13 t according EN12640.*



| Nr katalog.<br>Reference | $\frac{\text{Kg}}{\text{kg}}$ | Zakończyć<br>Finish            | Pojemność<br>Capacity |
|--------------------------|-------------------------------|--------------------------------|-----------------------|
| 3643908AB                | 1,35                          | Brutto<br>Raw                  | 13 t                  |
| 3643908AG                | 1,35                          | Ocynkowany<br>Galvanized steel | 13 t                  |



Uchwyt mocujący do ucha 13 t. Mocowanie techniką spawania. Specyfikacja spawania jak dla 2905926FT.



*Bracket to weld for rings 13 t. See welding specifications reference 2905926FT.*

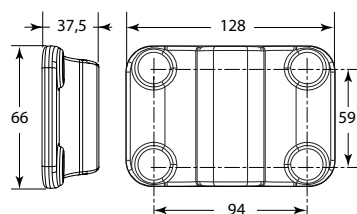
| Nr katalog.<br>Reference | $\frac{\text{Kg}}{\text{kg}}$ | Dla<br>For             | Zakończyć<br>Finish |
|--------------------------|-------------------------------|------------------------|---------------------|
| 3643909                  | 0,45                          | 3643908AB<br>3643908AG | Brutto<br>Raw       |

Uchwyt mocujący do przykręcenia 13 t.



*Bracket to screw for rings 13 t.*

| Nr katalog.<br>Reference | $\frac{\text{Kg}}{\text{kg}}$ | Dla<br>For             | Zakończyć<br>Finish            |
|--------------------------|-------------------------------|------------------------|--------------------------------|
| 3643908                  | 0,68                          | 3643908AB<br>3643908AG | Ocynkowany<br>Galvanized steel |



**UCHA DO MOCOWANIA ŁADUNKU - LASHING RINGS**



Zestaw ucha mocowania ładunku o przeznaczeniu cywilnym mocowane techniką spawania. Specyfikacja spawania jak przy 2905926FT. (Nośność 16 t zgodna z normą EN12640 a nośność 12 t zgodna z normą EN 29367-2)



*Kit of civil lashing ring capacity with bracket to weld. See welding specifications reference 2905926FT. (Capacity 16 tons according EN12640 and capacity 12 tons according test EN29367-2)*

| Nr katalog. Reference | $\frac{Kg}{\Delta}$ | Pojemność Capacity | Zakończyć Finish |
|-----------------------|---------------------|--------------------|------------------|
| 3643788               | 2,31                | 16 t - 12 t        | Brutto Raw       |

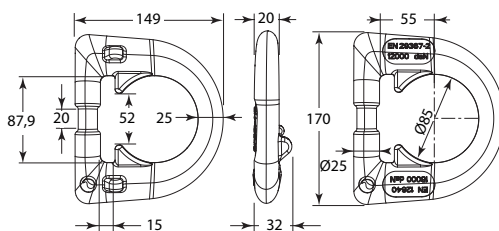


Zestaw ucha mocowania ładunku o przeznaczeniu cywilnym na 4 śruby M14 klasy 10.9. (nośność 16 t zgodna z normą EN12640 a 12 t zgodna z normą EN 29367-2).



*Kit of civil lashing ring with bracket to screw. Mounting by 4 hexagonal cylindrical hollow screws M14 class 10.9. (Capacity 16 tons according EN12640 and capacity 12 tons according test EN29367-2).*

| Nr katalog. Reference | $\frac{Kg}{\Delta}$ | Pojemność Capacity |
|-----------------------|---------------------|--------------------|
| 3643789VI             | 2,67                | 16 t - 12 t        |



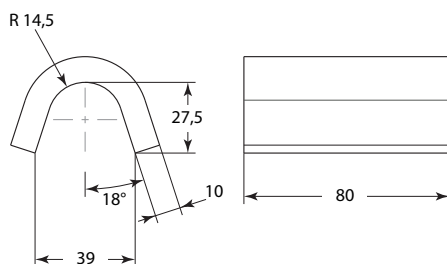
Ucho mocowania ładunku przeznaczony do cywilnym. 16 t zgodne z EN12640 a 12 t zgodnie z EN29367-2.



*Civil lashing ring only capacity 16 t according EN12640 and capacity 12 t according EN29367-2.*

| Nr katalog. Reference | $\frac{Kg}{\Delta}$ | Zakończyć Finish            | Pojemność Capacity |
|-----------------------|---------------------|-----------------------------|--------------------|
| 3643788AB             | 1,77                | Brutto Raw                  | 16 t - 12 t        |
| 3643788AG             | 1,77                | Ocynkowany Galvanized steel | 16 t - 12 t        |

16

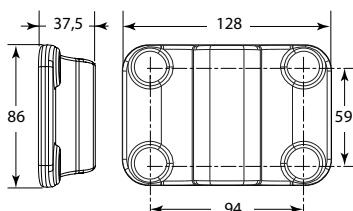


Uchwyt mocujący do ucha. Mocowanie techniką spawania. Specyfikacja spawania jak dla 2905926FT.



*Bracket to weld for rings. See welding specifications reference 2905926FT.*

| Nr katalog. Reference | $\frac{Kg}{\Delta}$ | Dla For                                      | Zakończyć Finish |
|-----------------------|---------------------|--|------------------|
| 3643788SU             | 0,54                | 3643902<br>3643903<br>3643788AB<br>3643788AG | Brutto Raw       |



Uchwyt mocujący do przykręcenia. Bracket to screw for rings.

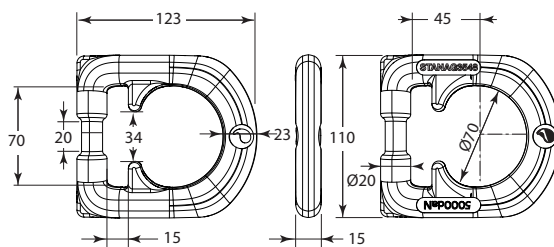


| Nr katalog. Reference | $\frac{Kg}{\Delta}$ | Dla For                                      | Zakończyć Finish            |
|-----------------------|---------------------|--|-----------------------------|
| 3643906               | 0,90                | 3643902<br>3643903<br>3643788AB<br>3643788AG | Ocynkowany Galvanized steel |



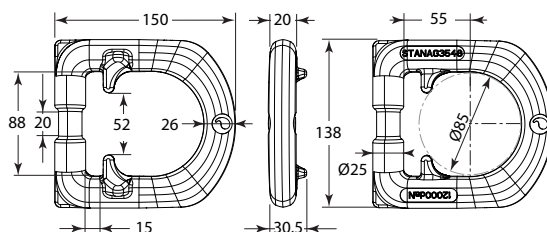
**UCHA DO MOCOWANIA ŁADUNKU - LASHING RINGS**

Ucho mocowania ładunku o przeznaczeniu wojskowym.  
Nośność 5 t zgodnie ze STANAG 3548.  
*Military lashing ring only capacity 5 t according STANAG 3548.*

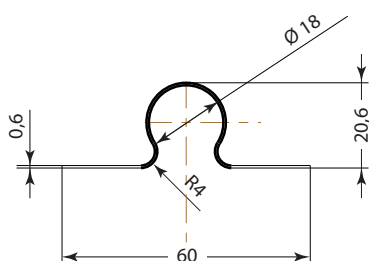
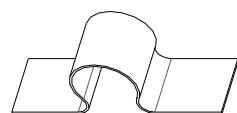


| Nr katalog.<br>Reference | KG   | Pojemność<br>Capacity |
|--------------------------|------|-----------------------|
| 3643904                  | 0,90 | 5 t                   |
| 3643905                  | 0,90 | 5 t                   |

Ucho mocowania ładunku o przeznaczeniu wojskowym.  
Nośność 12 t zgodnie ze STANAG 3548.  
*Military lashing ring only capacity 12 t according STANAG 3548.*



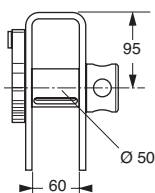
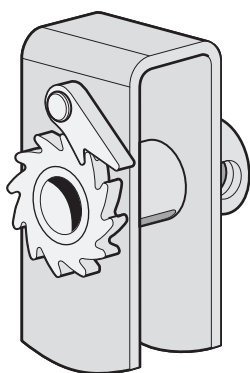
| Nr katalog.<br>Reference | KG   | Pojemność<br>Capacity |
|--------------------------|------|-----------------------|
| 3643902                  | 1,76 | 12 t                  |
| 3643903                  | 1,76 | 12 t                  |



Sprężyna rozprężna do uchwyty.  
*Retaining spring for bracket.*

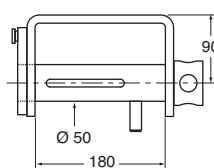
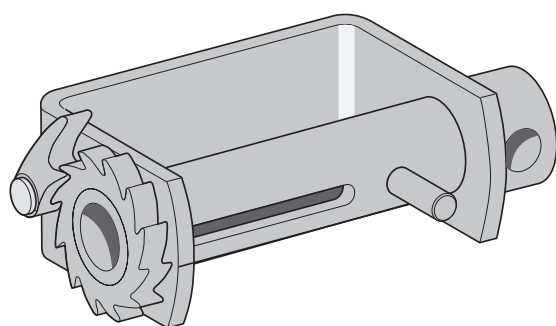
| Nr katalog.<br>Reference | Dla<br>For         | Zakończyć<br>Finish                |
|--------------------------|--------------------|------------------------------------|
| 3643910                  | 3643908<br>3643906 | Stal nierdzewna<br>Stainless steel |

**NAPINACZE KABLI - LASHING DRUMS**



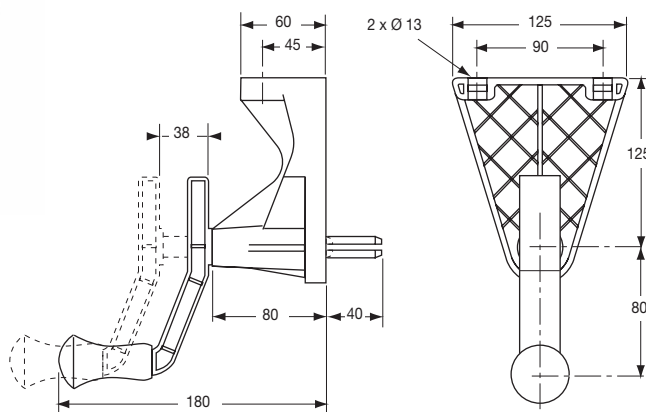
Napinacz pasa o szer. 50 mm x 10 m, stal lakierowana, obciążenie niszczące 5 t.  
*Painted steel lashing drum for 50 mm x 10 m lashing strap, break strength : 5 t.*

| Nr katalog.<br>Reference | Kg   |
|--------------------------|------|
| 3644269                  | 3,59 |



Napinacz uniwersalny, stalowy lakierowany do pasa o szer. 100 mm, obciążenie niszczące 8 t.  
*Mixed painted steel lashing drum, for 100 mm lashing strap, breaking strength : 8 t.*

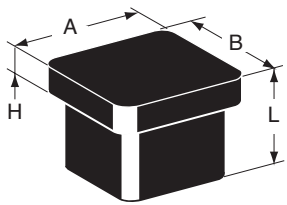
| Nr katalog.<br>Reference | Kg    |
|--------------------------|-------|
| 3644266S                 | 4,585 |



Napinacz pasa.  
*Webbing winder.*

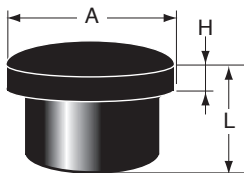
| Nr katalog.<br>Reference | Kg  |
|--------------------------|-----|
| 3644268                  | 0,3 |

**KOŃCÓWKI I ZDERZAKI - BRACKETS AND STOPS**



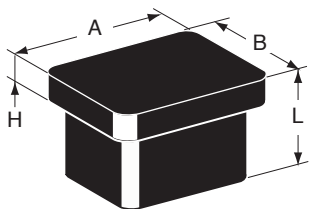
Zaślepka rury. Dla rury o grubości X.  
End cap for tubes thickness X.

| Nr katalog.<br>Reference | $\frac{\sigma}{Kg}$ | A<br>(mm) | B<br>(mm) | L<br>(mm) | X   | H<br>(mm) | Typ<br>Type |
|--------------------------|---------------------|-----------|-----------|-----------|-----|-----------|-------------|
| 3950296                  | 0,105               | 100       | 100       | 46        | 4   | 7         | B           |
| 3950101                  | 0,004               | 25        | 25        | 18        | 1,5 | 3         | B           |
| 3950300                  | 0,005               | 30        | 30        | 18        | 1,5 | 3         | B           |
| 3950299                  | 0,007               | 35        | 35        | 21        | 1,5 | 5         | A           |
| 3950298                  | 0,014               | 40        | 40        | 27        | 1,5 | 7         | B           |



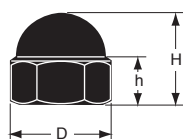
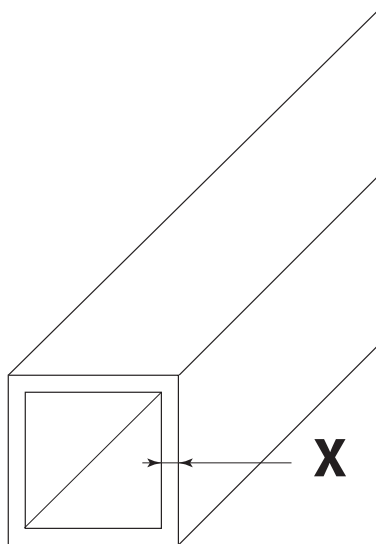
Zaślepka rury.  
End cap for tubes.

| Nr katalog.<br>Reference | A<br>(mm) | L<br>(mm) | H<br>(mm) | Dla<br>For |
|--------------------------|-----------|-----------|-----------|------------|
| 3950297                  | 32        | 26        | 5         | 26 x 34    |
| 3950108                  | 40        | 28        | 7         |            |



Zaślepka rury. Dla rury o grubości X.  
End cap for tubes thickness X.

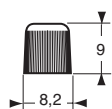
| Nr katalog.<br>Reference | $\frac{\sigma}{Kg}$ | A<br>(mm) | B<br>(mm) | L<br>(mm) | X   | H<br>(mm) |
|--------------------------|---------------------|-----------|-----------|-----------|-----|-----------|
| 3110384EM                | 0,03                | 120       | 40        | 20        | 3   | 5         |
| 3950114                  | 0,009               | 55        | 35        | 20        | 1,5 | 5         |
| 3950116                  | 0,019               | 80        | 40        | 25        | 2,5 | 5         |



Nakrętka kapturkowa.  
Nut drop.

| Nr katalog.<br>Reference | $\emptyset$ | D<br>(mm) | H<br>(mm) | h<br>(mm) |
|--------------------------|-------------|-----------|-----------|-----------|
| 3950125                  | M10         | 21,3      | 18,5      | 9         |

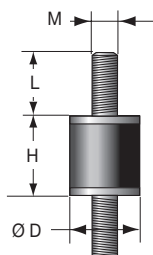
KOŃCÓWKI I ZDERZAKI - *BRACKETS AND STOPS*



Oslona smarowniczkki, kolor żółty.  
*End cap graeser, yellow color.*

Nr katalog.  
*Reference*

3950130



Łącznik gumowy Silentbloc.  
*Silent block.*

| Nr katalog.<br><i>Reference</i> | Ø D<br>(mm) | L<br>(mm) | H<br>(mm) | M<br>(mm) |
|---------------------------------|-------------|-----------|-----------|-----------|
| 5102522                         | 25          | 20        | 22        | 8         |

**ZACZEPY MOCOWANIA NARZĘDZI Z TAŚMĄ - TOOL STOWAGE CLAMP WITH BELT**

Zaczep mocowania narzędzi, dla  
 $\varnothing$  28-50 mm, stal ocynkowana, rzemień  
 czarny kauczuk.

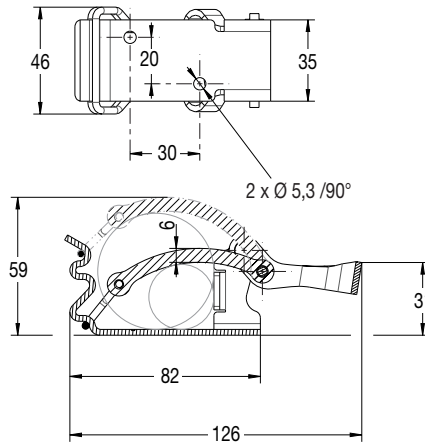
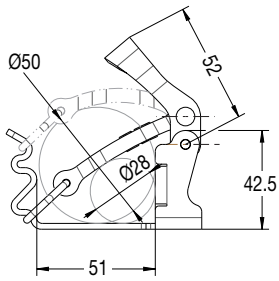
*Tool stowage clamp for  $\varnothing$  28 to  $\varnothing$  50 mm, zinc  
 plated steel and black rubber strap.*

Nr katalog.  
 Reference



3543500

0,135




**GAŚNICE I WSPORNIKI - EXTINGUISHERS AND SUPPORTS**



Gaśnica proszkowa ABC, 2 kg, do zagrożenia ogniowego klasy 8A-89B-C.

*2 kg extinguisher, ABC powder, 8A-89B-C fire kinds.*

| Nr katalog.<br>Reference |  | Ø   | H<br>(mm) |
|--------------------------|---|-----|-----------|
| 3950615                  | 3,32  | 111 | 335       |



Gaśnica proszkowa ABC, 6 kg, do zagrożenia ogniowego klasy 21A-183B-C.


*6 kg extinguisher, ABC powder, 21A-183B-C fire kinds.*

| Nr katalog.<br>Reference |  | Ø   | H<br>(mm) |
|--------------------------|---|-----|-----------|
| 3950616                  | 9,7   | 150 | 510       |



Gaśnica proszkowa ABC, 9 kg, do zagrożenia ogniowego klasy 34A-233B-C.

*9 kg extinguisher, ABC powder, 34A-233B-C fire kinds.*


| Nr katalog.<br>Reference |  | Ø   | H<br>(mm) |
|--------------------------|---|-----|-----------|
| 3950617                  | 13,7  | 170 | 615       |

16



Wspornik gaśnicy 6 kg 3950616, stal lakierowana.


*Painted steel support for 6 kg extinguisher 3950616.*

| Nr katalog.<br>Reference |  |
|--------------------------|---|
| 3950618                  | 0,7   |

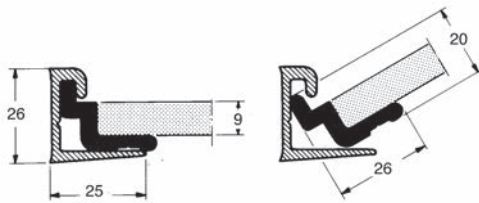
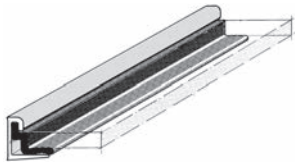


Wspornik do gaśnicy 6 kg, stal lakierowana, Ø 160 mm.

*Painted steel support for 6 kg extinguisher, Ø 160 mm.*

| Nr katalog.<br>Reference |  | Ø   |
|--------------------------|---|-----|
| 3950600SE                | 1,4   | 160 |

**WYPOSAŻENIE WEWNĘTRZNE DO AUTOBUSÓW I KABIN - INDOOR EQUIPMENT FOR BUSES AND CABINS**



Profil z PVC czarny.  
*Black P.V.C. profile.*

| Nr katalog.<br><i>Reference</i> | Długość<br><i>Length</i> |
|---------------------------------|--------------------------|
| 3037610                         | 5400                     |



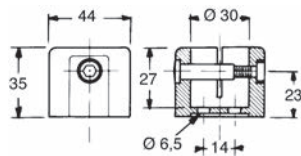
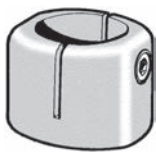
Rura aluminiowa anodowana  $\varnothing$  30 mm, grubość 2 mm.  
*Anodized aluminium tube  $\varnothing$  30 mm, thickness 2 mm.*

| Nr katalog.<br><i>Reference</i> | $\varnothing$ | Długość<br><i>Length</i> |
|---------------------------------|---------------|--------------------------|
| 3004108                         | 30            | 5000                     |

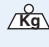


Rura aluminium polerowane.  
*Polished aluminium tube.*

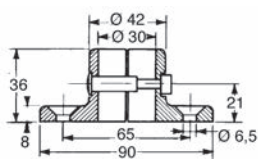
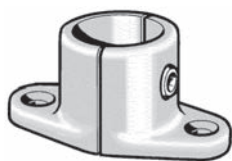
| Nr katalog.<br><i>Reference</i> | $\varnothing$ | Długość<br><i>Length</i> |
|---------------------------------|---------------|--------------------------|
| 3004645Y                        | 18            | 6000                     |



Końcówka aluminiowa z pokryciem epoksydowym barwy ciemnoszarej.  
*Dark grey epoxy aluminium end bracket.*

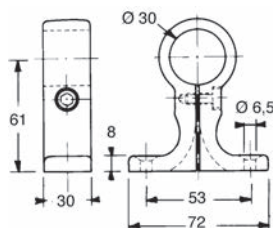
| Nr katalog.<br><i>Reference</i> |  |
|---------------------------------|---|
| 3004101                         | 0,089   |

WYPOSAŻENIE WEWNĘTRZNE DO AUTOBUSÓW I KABIN - *INDOOR EQUIPMENT FOR BUSES AND CABINS*



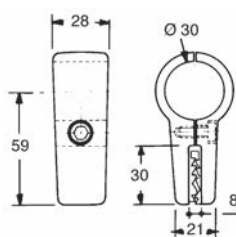
Końcówka z cokołem, aluminiowa z pokryciem epoksydowym barwy ciemnoszarej.  
*Dark grey epoxy aluminium end bracket.*

|                                 |   |
|---------------------------------|---|
| Nr katalog.<br><i>Reference</i> |  |
| 3004106                         | 0,093   |




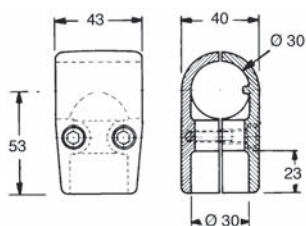
Wspornik aluminiowy z pokryciem epoksydowym barwy ciemnoszarej.  
*Dark grey epoxy aluminium bracket.*

|                                 |   |
|---------------------------------|---|
| Nr katalog.<br><i>Reference</i> |  |
| 3004105                         | 0,09  |



Wspornik z pojedynczym zaciskiem, aluminiowy z pokryciem epoksydowym barwy ciemnoszarej.  
*Dark grey epoxy aluminium bracket (simple).*

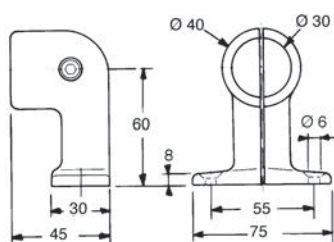
|                                 |   |
|---------------------------------|---|
| Nr katalog.<br><i>Reference</i> |  |
| 3004103                         | 0,092   |



Wspornik w kształcie T aluminiowy z pokryciem epoksydowym barwy ciemnoszarej.  
*Dark grey epoxy aluminium T bracket.*

|                                 |   |
|---------------------------------|---|
| Nr katalog.<br><i>Reference</i> |  |
| 3004102                         | 0,145   |



**WYPOSAŻENIE WEWNĘTRZNE DO AUTOBUSÓW I KABIN - INDOOR EQUIPMENT FOR BUSES AND CABINS**


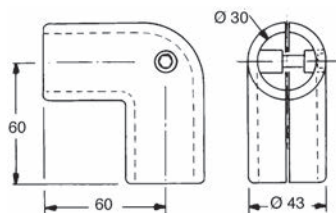
Wspornik ślepy aluminiowy z pokryciem epoksydowym barwy ciemnoszarej.

*Dark grey epoxy aluminium blind bracket.*

Nr katalog.  
Reference



3004112 0,15



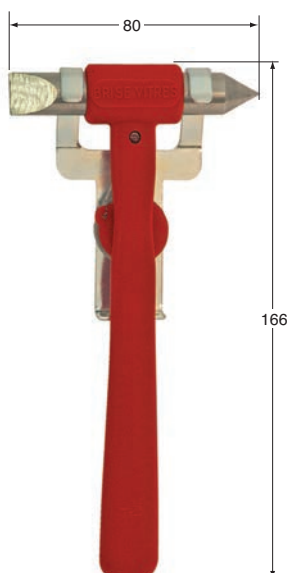
Wspornik kątowy 90° aluminiowy z pokryciem epoksydowym barwy ciemnoszarej.

*Dark grey epoxy aluminium, 90° angle bracket.*

Nr katalog.  
Reference



3004111 0,176



Młotek do awaryjnego wybijania szyb z zabezpieczeniem przed kradzieżą.

*Thief-proof glass-breaking hammer.*

Nr katalog.  
Reference



3004099 0,145



Młotek do awaryjnego wybijania szyb z przecinakiem do pasa.

*Glass-breaking hammer, with belt cutter.*

Nr katalog.  
Reference



3004097 0,26

WYPOSAŻENIE WEWNĘTRZNE DO AUTOBUSÓW I KABIN - *INDOOR EQUIPMENT FOR BUSES AND CABINS*

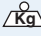


Wieszak z czarnego tworzywa.  
*Black plastic hook.*

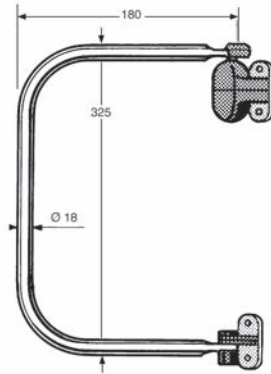
| Nr katalog.<br><i>Reference</i> |  |
|---------------------------------|---|
| 3004075                         | 0,007   |



Oslona przeciwsłoneczna, ekran ze szkła organicznego barwy brązowej, mocowanie centralne.  
*Sun visor in plastic, bronze finish, centrally mounted.*

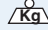
| Nr katalog.<br><i>Reference</i> |  |
|---------------------------------|---|
| 3051201                         | 0,75  |

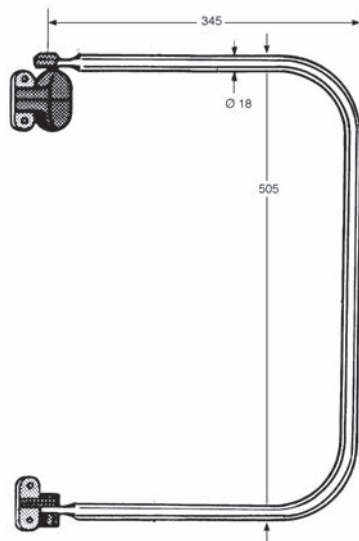
**LUSTERKA WSTECZNE I UCHWYTY - MIRRORS AND ARMS**



Wieszak lusterka wstecznego, rura stalowa, lakierowany, z cokołem aluminiowym, strona lewa.


*Painted steel tube mirror arm, aluminium support, left hand side.*

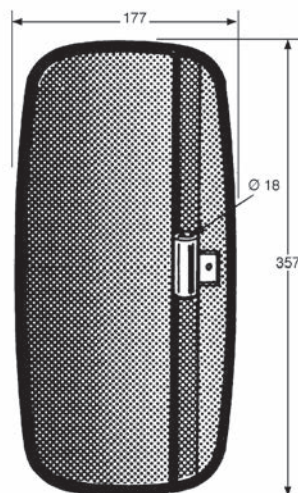
| Nr katalog.<br>Reference |  |
|--------------------------|---|
| 3809053GA                | 0,95  |



Wieszak lusterka wstecznego, rura stalowa, lakierowany, z cokołem aluminiowym, strona prawa.


*Painted steel tube mirror arm, aluminium support, right hand side.*

| Nr katalog.<br>Reference |  |
|--------------------------|---|
| 3809053DR                | 1,38  |

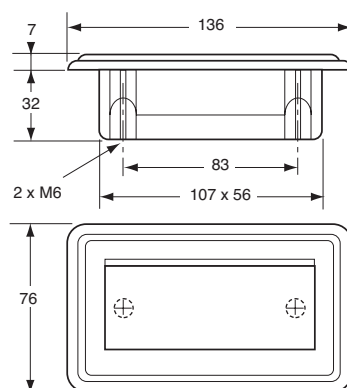
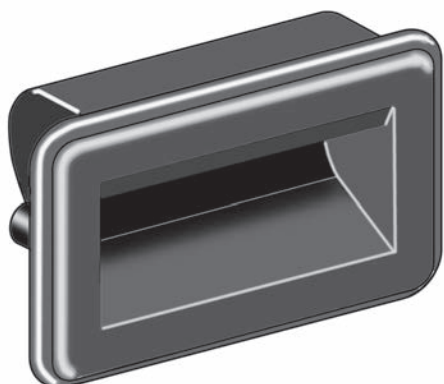


Lusterko wsteczne ze szkłem wypukłym, nastawne, osłona z tworzywa.

*Plastic mirror-head, convex glass.*

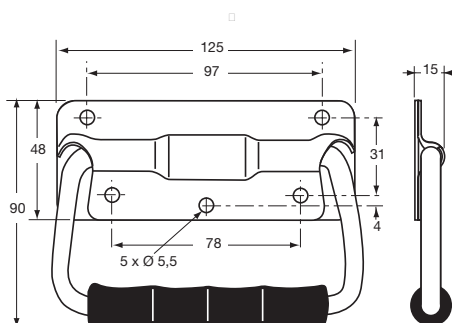
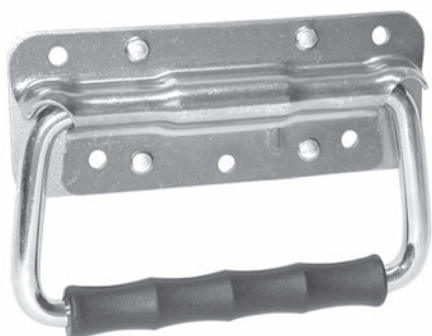
| Nr katalog.<br>Reference |  | Wysokość<br>Height | Szerokość<br>Width |
|--------------------------|---|--------------------|--------------------|
| 3805357                  | 1,1   | 357                | 177                |

KLAMKI DO CIĄGIENIA - *PULL HANDLES*



Uchwyt do ciągnięcia z czarnego tworzywa.  
*Pull handle, black plastic.*

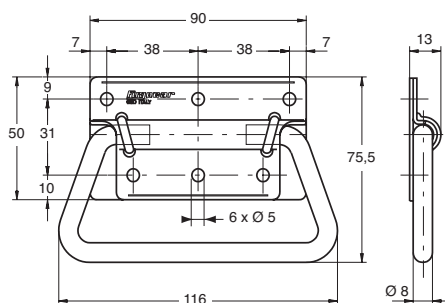
| Nr katalog.<br>Reference | Kg  |
|--------------------------|-----|
| 1840145                  | 0,1 |



Uchwyt do ciągnięcia ze sprężyną, stal chromianowana.  
*Zinc plated steel pull handle with spring.*

| Nr katalog.<br>Reference | Kg   |
|--------------------------|------|
| 1804050 S                | 0,25 |

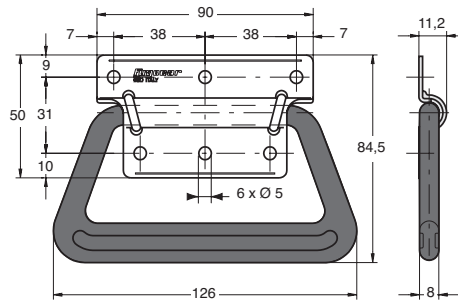
16



Uchwyt ze stali nierdzewnej, bez sprężyny.  
*Stainless steel pull handle without spring.*

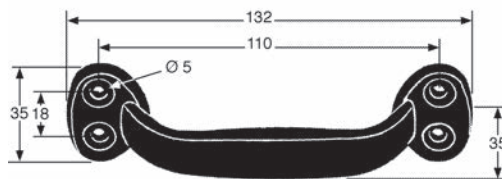
| Nr katalog.<br>Reference | Kg   |
|--------------------------|------|
| 190503330                | 0,19 |

**KLAMKI DO CIĄGIENIA - PULL HANDLES**



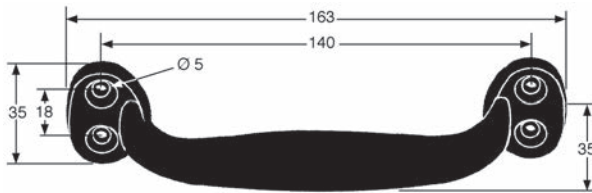
Uchwyt do ciągnięcia ze stali nierdzewnej z rączką z tworzywa, bez sprężyny.  
*Stainless steel pull handle with plastic handle, without spring.*

|                          |       |
|--------------------------|-------|
| Nr katalog.<br>Reference |       |
| 190510265                | 0,075 |



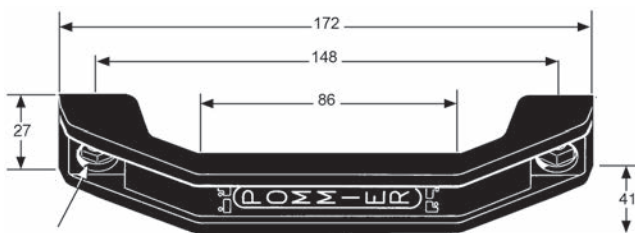
Uchwyt z aluminium, malowany farbą epoksydową, czarny, do ciągnięcia.  
*Black epoxy aluminium pull handle.*

|                          |      |
|--------------------------|------|
| Nr katalog.<br>Reference |      |
| 1804046                  | 0,05 |



Uchwyt z aluminium, malowany farbą epoksydową, czarny, do ciągnięcia.  
*Black epoxy aluminium pull handle.*

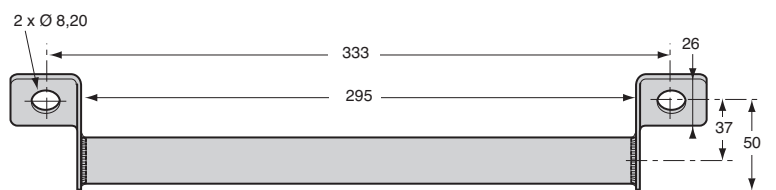
|                          |      |
|--------------------------|------|
| Nr katalog.<br>Reference |      |
| 1804048                  | 0,07 |



Uchwyt plastikowy czarny, do ciągnięcia.  
*Black plastic pull handle.*

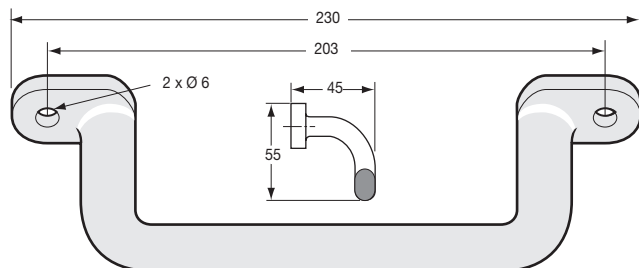
|                          |      |
|--------------------------|------|
| Nr katalog.<br>Reference |      |
| 1804075                  | 0,05 |

**KLAMKI I UCHWYTY - HANDRAILS AND GRAB HANDLES**



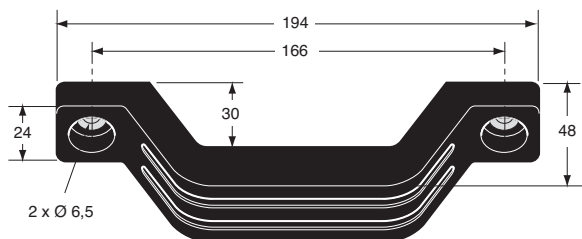
Uchwyt ze stali nierdzewnej.  
*Stainless steel grab handle.*

| Nr katalog.<br>Reference | Kg   |
|--------------------------|------|
| 190803323                | 0,38 |



Uchwyt do wsiadania.  
*Grab handle.*

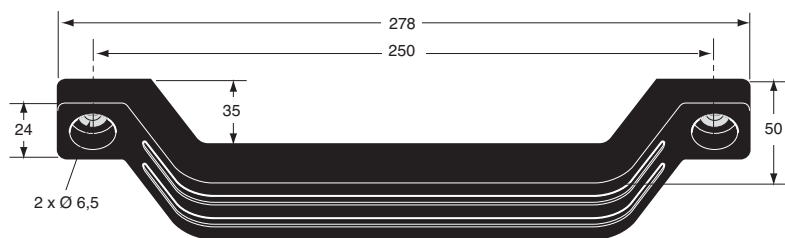
| Nr katalog.<br>Reference | Kg    | Zakończyć<br>Finish                                  |
|--------------------------|-------|--|
| 1940670                  | 0,17  | Aluminium epoksydowa czarny<br>Black epoxy aluminium |
| 1940670AN                | 0,155 | Aluminium anodowane<br>Anodized aluminium            |



Uchwyt z czarnego poliuretanu z wkładką ze stali ocynkowanej.  
*Black polyurethane grab handle, with zinc plated steel core.*

| Nr katalog.<br>Reference | Kg   |
|--------------------------|------|
| 190810263                | 0,18 |

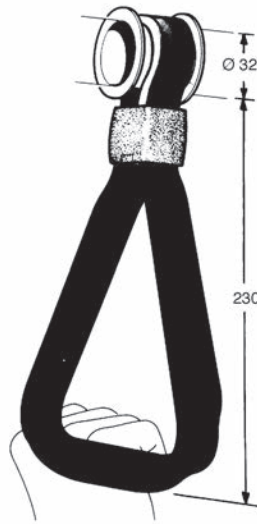
16



Uchwyt z czarnego poliuretanu z wkładką ze stali ocynkowanej.  
*Black polyurethane grab handle, with zinc plated steel core.*

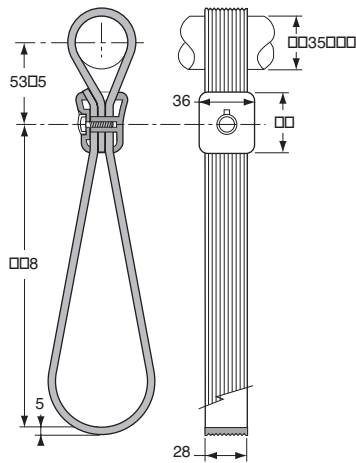
| Nr katalog.<br>Reference | Kg   |
|--------------------------|------|
| 190810264                | 0,26 |

**KLAMKI I UCHWYTY - HANDRAILS AND GRAB HANDLES**



Uchwyt z PVC wypełnionego pianką, barwy antracytowej.  
*Anthracite P.V.C. covered foam grip handle.*

|                                 |      |
|---------------------------------|------|
| Nr katalog.<br><i>Reference</i> |      |
| 1804078                         | 0,26 |



Uchwyt PVC antracytowy.  
*P.V.C. anthracite handle.*

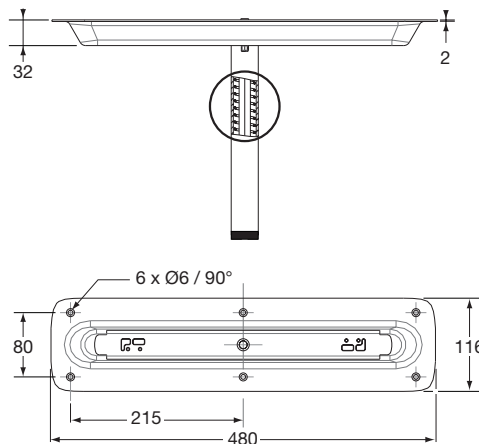
|                                 |      |
|---------------------------------|------|
| Nr katalog.<br><i>Reference</i> |      |
| 1804079                         | 0,13 |

**MOCOWANIE WÓZKA TRANSPORTOWEGO - PALLET TRUCK BLOCK**



Mocowanie paletniaka stal ocynk.  
*Zinc plated steel, pallet truck block.*

|                                 |     |
|---------------------------------|-----|
| Nr katalog.<br><i>Reference</i> |     |
| 3643740                         | 2,7 |





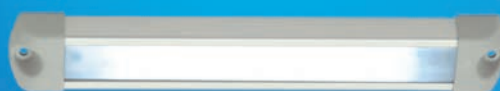


# OŚWIETLENIE I SYGNALIZACJA

Oświetlenie sufitowe, pasy, tablice

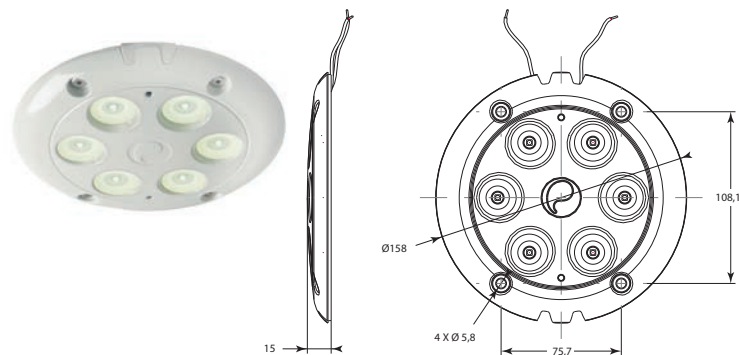
## LIGHTING AND WARNING PLATES

Ceiling lights, surface and recessed lighting, warning plates





LAMPY LED - LED LIGHTING



Lampa sufitowa zewnętrzna 6 led IRIZIUM AX1000, aluminium białe.

*White external 6 led aluminium ceiling light IRIZIUM AX1000.*

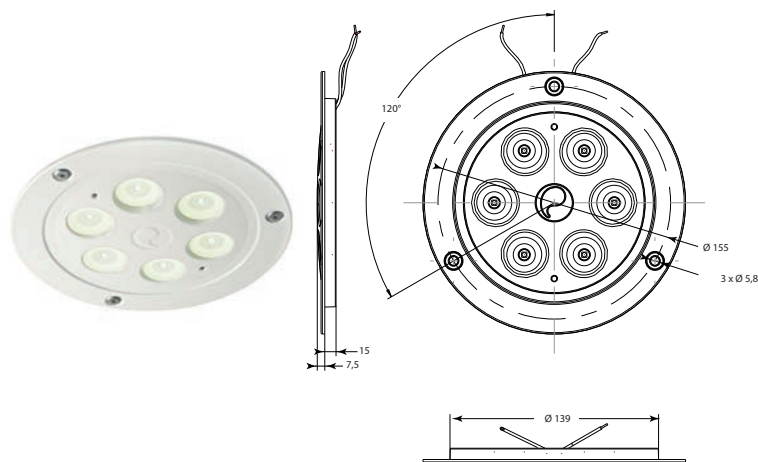
| Nr katalog.<br>Reference | Ø<br>Kg | A     | V  | W      | lm   | °C         | ADR | IP |
|--------------------------|---------|-------|----|--------|------|------------|-----|----|
| 4052310                  | 0,180   | 1,32A | 12 | 15,84W | 1021 | -40<br>+80 | X   | 67 |
|                          |         | @ 12V | 24 | @ 12V  |      |            |     |    |
|                          |         | 0,62A |    | 14,88W |      |            |     |    |
|                          |         | @ 24V |    | @ 24V  |      |            |     |    |



Końcówka listwy doprowadzającej okablowanie dla 4052310.

*Wire conduit cap for 4052310.*

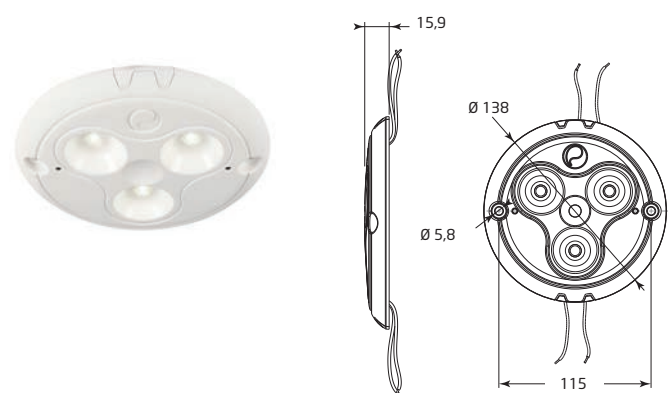
| Nr katalog.<br>Reference | Ø<br>Kg |
|--------------------------|---------|
| 4052240OP                | 0,004   |



Lampa sufitowa wpuszczana 6 led IRIZIUM AR1000, aluminium białe.

*White recessed 6 led aluminium ceiling light IRIZIUM AR1000.*

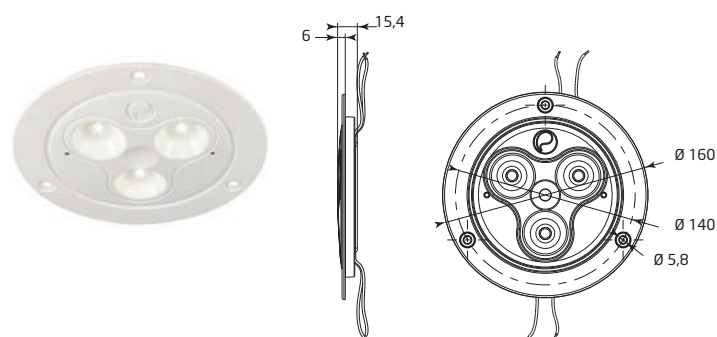
| Nr katalog.<br>Reference | Ø<br>Kg | A     | V  | W      | lm   | °C         | ADR | IP |
|--------------------------|---------|-------|----|--------|------|------------|-----|----|
| 4052300                  | 0,192   | 1,32A | 12 | 15,84W | 1021 | -40<br>+80 | X   | 67 |
|                          |         | @ 12V | 24 | @ 12V  |      |            |     |    |
|                          |         | 0,62A |    | 14,88W |      |            |     |    |
|                          |         | @ 24V |    | @ 24V  |      |            |     |    |



Zewnętrzna lampa sufitowa IRIZIUM PX 500.

*External ceiling light IRIZIUM PX 500.*

| Nr katalog.<br>Reference | Ø<br>Kg | A     | V  | W     | lm  | °C         | ADR | IP |
|--------------------------|---------|-------|----|-------|-----|------------|-----|----|
| 4052360                  | 0,116   | 0,38A | 12 | 9,12W | 565 | -40<br>+80 | X   | 67 |
|                          |         | @ 24V | 24 | @ 24V |     |            |     |    |
|                          |         | 0,69A |    | 8,28W |     |            |     |    |
|                          |         | @ 12V |    | @ 12V |     |            |     |    |

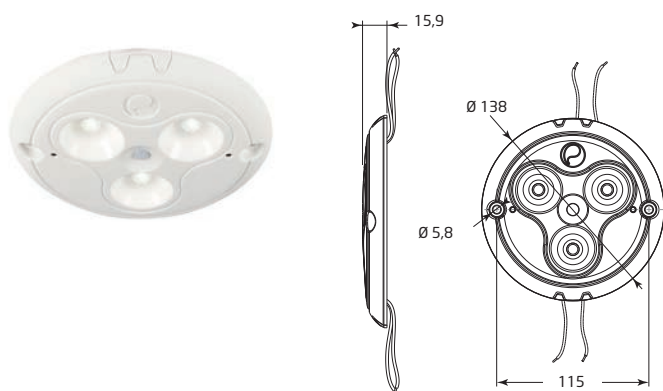


Wpuszczana lampa sufitowa IRIZIUM PR 500.

*Recessed ceiling light IRIZIUM PR 500.*

| Nr katalog.<br>Reference | Ø<br>Kg | A     | V  | W     | lm  | °C         | ADR | IP |
|--------------------------|---------|-------|----|-------|-----|------------|-----|----|
| 4052350                  | 0,133   | 0,38A | 12 | 9,12W | 565 | -40<br>+80 | X   | 67 |
|                          |         | @ 24V | 24 | @ 24V |     |            |     |    |
|                          |         | 0,69A |    | 8,28W |     |            |     |    |
|                          |         | @ 12V |    | @ 12V |     |            |     |    |

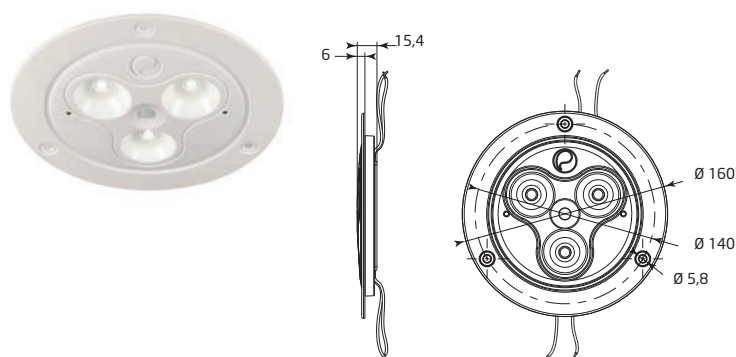
**LAMPY LED - LED LIGHTING**



Zewnętrzna lampa sufitowa IRIZIUM PR 500 IR z czujnikiem ruchu.

*External ceiling light, with sensor IRIZIUM PX 500 IR.*

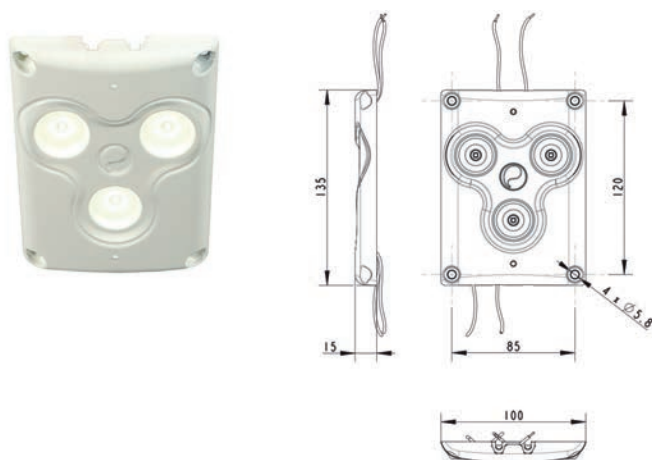
| Nr katalog.<br>Reference | $\frac{Kg}{\Delta}$ | A     | V  | W     | lm  | °C         | ADR | IP |
|--------------------------|---------------------|-------|----|-------|-----|------------|-----|----|
| 4052380                  | 0,120               | 0,38A | 12 | 9,12W | 565 | -30<br>+50 | X   | 67 |
|                          |                     | @ 24V | 24 | @ 24V |     |            |     |    |
|                          |                     | 0,69A |    | 8,28W |     |            |     |    |
|                          |                     | @ 12V |    | @ 12V |     |            |     |    |



Wpuszczana lampa sufitowa IRIZIUM PR 500 IR z czujnikiem ruchu.

*Recessed ceiling light, with sensor IRIZIUM PR 500 IR.*

| Nr katalog.<br>Reference | $\frac{Kg}{\Delta}$ | A     | V  | W     | lm  | °C         | ADR | IP |
|--------------------------|---------------------|-------|----|-------|-----|------------|-----|----|
| 4052370                  | 0,132               | 0,38A | 12 | 9,12W | 565 | -30<br>+50 | X   | 67 |
|                          |                     | @ 24V | 24 | @ 24V |     |            |     |    |
|                          |                     | 0,69A |    | 8,28W |     |            |     |    |
|                          |                     | @ 12V |    | @ 12V |     |            |     |    |

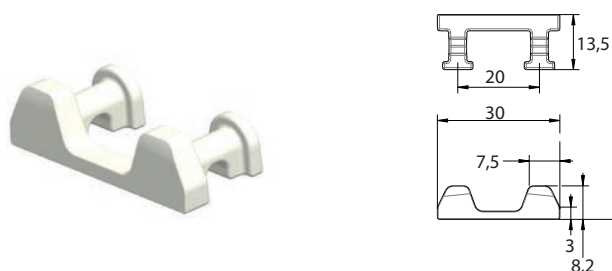


Zewnętrzna lampa sufitowa IRIZIUM AX 600, aluminium białe.

*External ceiling light IRIZIUM AX 600, white aluminium.*

| Nr katalog.<br>Reference | $\frac{Kg}{\Delta}$ | A     | V  | W     | lm  | °C         | ADR | IP |
|--------------------------|---------------------|-------|----|-------|-----|------------|-----|----|
| 4052330                  | 0,221               | 0,29A | 12 | 7W    | 650 | -40<br>+80 | X   | 67 |
|                          |                     | @ 24V | 24 | @ 24V |     |            |     |    |
|                          |                     | 0,51A |    | 6W    |     |            |     |    |
|                          |                     | @ 12V |    | @ 12V |     |            |     |    |

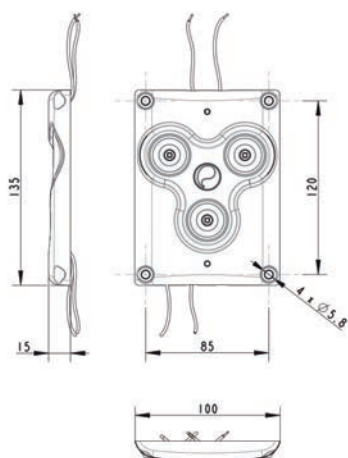
17



Końcówka listwy doprowadzającej okablowanie dla 4052330.

*Wire conduit cap for 4052330.*

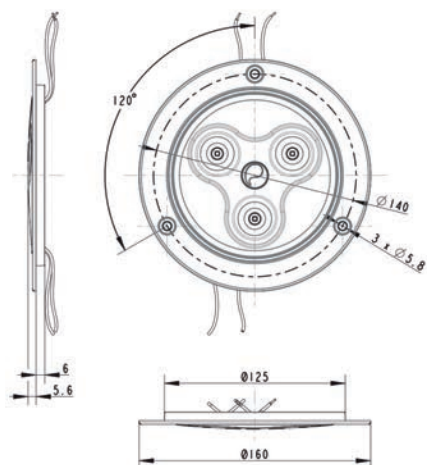
| Nr katalog.<br>Reference | $\frac{Kg}{\Delta}$ |
|--------------------------|---------------------|
| 40522500B                | 0,004               |

**LAMPY LED - LED LIGHTING**


Zewnętrzna lampa sufitowa IRIZIUM AX 600 NWC, aluminium białe.

*External ceiling light IRIZIUM AX 600 NWC without wire conduit holes, white aluminium.*

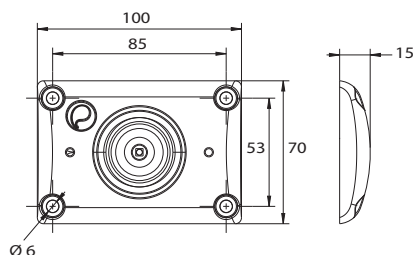
| Nr katalog.<br>Reference | $\frac{\text{kg}}{\text{kg}}$ | A                                | V        | W                          | lm  | °C         | ADR | IP |
|--------------------------|-------------------------------|----------------------------------|----------|----------------------------|-----|------------|-----|----|
| 4052335                  | 0,221                         | 0,29A<br>@ 24V<br>0,51A<br>@ 12V | 12<br>24 | 7W<br>@ 24V<br>6W<br>@ 12V | 650 | -40<br>+80 | X   | 67 |



Wpuszczana lampa sufitowa IRIZIUM AR 600, aluminium białe.

*Recessed ceiling light IRIZIUM AR 600, white aluminium.*

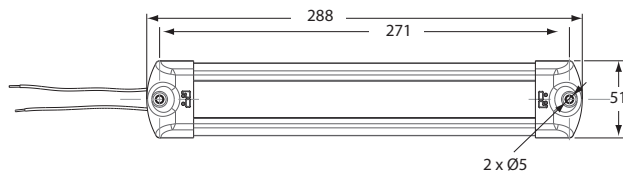
| Nr katalog.<br>Reference | $\frac{\text{kg}}{\text{kg}}$ | A                                | V        | W                          | lm  | °C         | ADR | IP |
|--------------------------|-------------------------------|----------------------------------|----------|----------------------------|-----|------------|-----|----|
| 4052320                  | 0,229                         | 0,29A<br>@ 24V<br>0,51A<br>@ 12V | 12<br>24 | 7W<br>@ 24V<br>6W<br>@ 12V | 650 | -40<br>+80 | X   | 67 |



Zewnętrzna lampa sufitowa IRIZIUM AX 300, aluminium białe.

*External ceiling light IRIZIUM AX 300, white aluminium.*

| Nr katalog.<br>Reference | $\frac{\text{kg}}{\text{kg}}$ | A                                | V        | W                              | lm  | °C         | ADR | IP |
|--------------------------|-------------------------------|----------------------------------|----------|--------------------------------|-----|------------|-----|----|
| 4052400                  | 0,135                         | 0,16A<br>@ 24V<br>0,31A<br>@ 12V | 12<br>24 | 3,8W<br>@ 24V<br>3,7W<br>@ 12V | 330 | -40<br>+80 | X   | 67 |



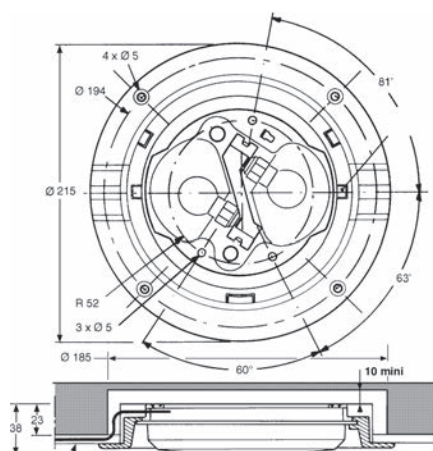
Światłówka LED, aluminium.

*Aluminium leds strip light.*

| Nr katalog.<br>Reference | $\frac{\text{kg}}{\text{kg}}$ | A                                | V        | W   | lm  | °C       | IP |
|--------------------------|-------------------------------|----------------------------------|----------|-----|-----|----------|----|
| 4052280                  | 0,130                         | 0,11A<br>@ 24V<br>0,22A<br>@ 12V | 12<br>24 | 2,7 | 188 | 0<br>+60 | -  |

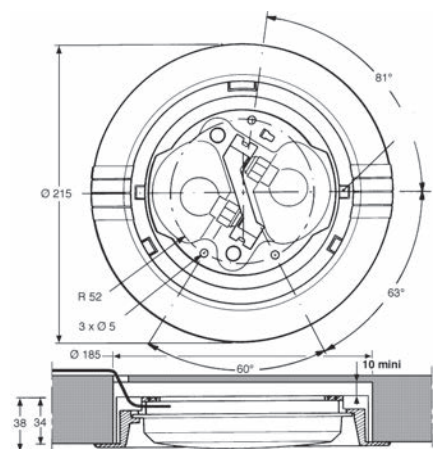


LAMPY Z ŻARÓWKAMI - **BULB LIGHTING**



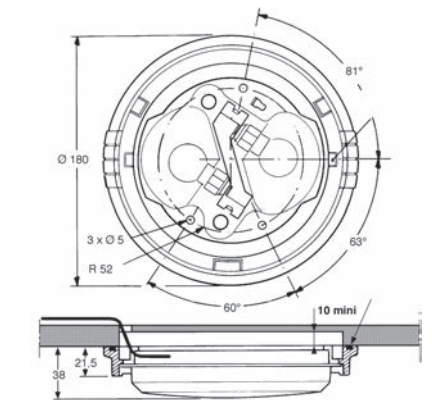
Lampa sufitowa o grubości 23 mm, wpuszczana do połowy, z otworami do mocowania i wprowadzenia przewodu zasilającego.  
*Flush mounted ceiling light, 23 mm thickness, with fixing holes and wire conduit channel.*

| Nr katalog.<br>Reference | $\frac{\text{Kg}}{\text{Kg}}$ |
|--------------------------|-------------------------------|
| 4051964                  | 0,260                         |



Lampa sufitowa wpuszczana, szara, bez żarówek, o grubości 34 mm, bez otworów do mocowania i wprowadzenia przewodu zasilającego.  
*Grey flush mounted ceiling light, without bulb, 34 mm thickness, without fixing holes or wire conduit channel.*

| Nr katalog.<br>Reference | $\frac{\text{Kg}}{\text{Kg}}$ |
|--------------------------|-------------------------------|
| 4051967                  | 0,280                         |



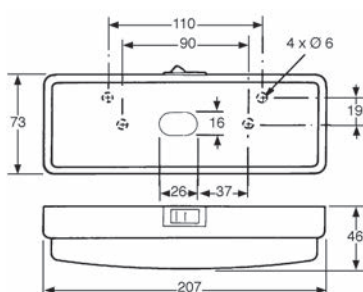
Lampa nakładana, bez pierścienia uszczelniającego.  
*Surface mounted ceiling light, without O'ring.*

| Nr katalog.<br>Reference | $\frac{\text{Kg}}{\text{Kg}}$ |
|--------------------------|-------------------------------|
| 4051961                  | 0,237                         |

Klosz przejrzysty dla 4051961.  
*Translucent cover for 4051961.*

| Nr katalog.<br>Reference | $\frac{\text{Kg}}{\text{Kg}}$ |
|--------------------------|-------------------------------|
| 4051961GL                | 0,500                         |

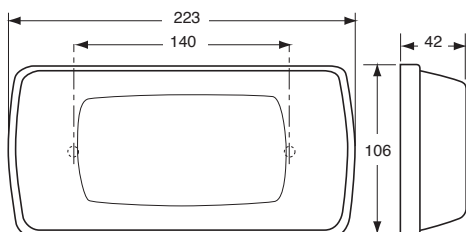
17



Prostokątna lampa sufitowa, cokół biały, klosz przejrzysty, z włącznikiem, dwie oprawki, bez żarówek (SP 2 x 5 W lub 2 x 10 W).  
*Rectangular ceiling light, white rim, translucent lens, with switch, two bulbholders, without bulb (SP 2 x 5 W or 2 x 10 W).*

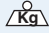
| Nr katalog.<br>Reference | $\frac{\text{Kg}}{\text{Kg}}$ |
|--------------------------|-------------------------------|
| 3851952                  | 0,152                         |

**LAMPY Z ŻARÓWKAMI - BULB LIGHTING**



Lampa sufitowa na podstawie ze stali nierdzewnej, bez uszczelki, dostosowana do 2 żarówek okrągłych 21W na napięciu 6, 12 lub 24V.

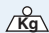
*Ceiling light with stainless steel base-plate, without seal, can house two spherical bulbs 21 W, 6, 12 or 24 V.*

| Nr katalog.<br>Reference |  |
|--------------------------|---|
| 4051932                  | 0,210   |



Klosz tylko z poliwęglanu.


*Lens only in polycarbonate.*

| Nr katalog.<br>Reference |  |
|--------------------------|---|
| 4051932CA                | 0,062   |

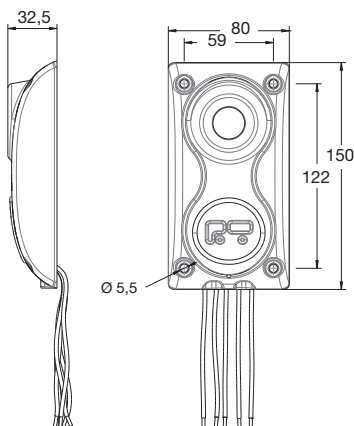


Uszczelka gumowa, szara dla 4051932.

*Rubber gasket Grey for 4051932.*

| Nr katalog.<br>Reference |  |
|--------------------------|---|
| 4051934                  | 0,630   |

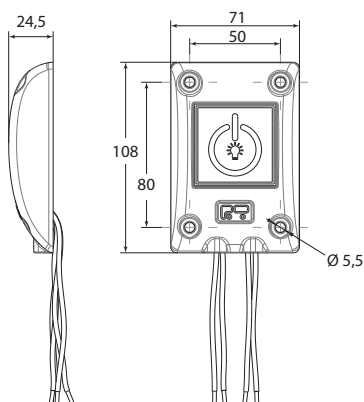
STEROWANIE OŚWIETLENIEM - LIGHTING CONTROLS



Detektor ruchu SYOU.

*SYOU motion sensor. With timer, commutable current 10 A.*

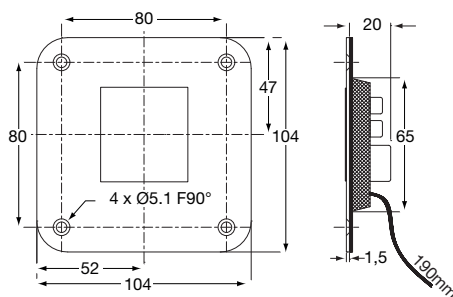
| Nr katalog.<br>Reference | $\frac{\text{Kg}}{\text{Kg}}$ | A   | V        | °C         | ADR | IP |
|--------------------------|-------------------------------|-----|----------|------------|-----|----|
| 4051925                  | 0,320                         | 10A | 12<br>24 | -30<br>+50 | x   | 67 |



Wyłącznik czasowy regulowany (0/10/20/45 min.) ścienny. Obudowa biała, aluminium. Sygnalizacja zbliżającego się wyłączenia światła, prąd max.: 15 A.

*External adjustable (0/10/20/45 minutes) timer switch. White aluminium housing. End of delay flashing. Commutable current 15 A.*

| Nr katalog.<br>Reference | $\frac{\text{Kg}}{\text{Kg}}$ | V        | °C         | ADR | IP |
|--------------------------|-------------------------------|----------|------------|-----|----|
| 4051916                  | 0,108                         | 12<br>24 | -20<br>+50 | x   | 67 |

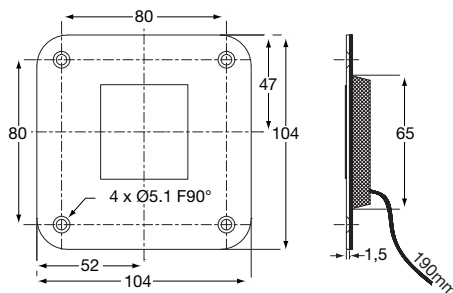


Wyłącznik czasowy do wbudowania, opóźnienie regulowane mikrołącznikiem (0/10/20/45 min) z uszczelką zabezpieczającą. Sygnalizacja zbliżającego się wyłączenia światła, prąd max. 15 A.

*Recessed timer switch, with foam seal. Adjustable setting (0/10/20/45 minutes). End of delay flashing. Commutable current 15 A.*

| Nr katalog.<br>Reference | $\frac{\text{Kg}}{\text{Kg}}$ | V        | °C         | ADR | IP |
|--------------------------|-------------------------------|----------|------------|-----|----|
| 4051912R                 | 0,196                         | 12<br>24 | -30<br>+50 | x   | 67 |

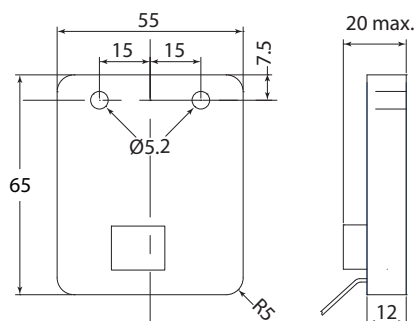
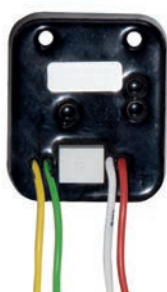
17



Przycisk dodatkowy bez wyłącznika czasowego 4051912R lub 4051916, 4051918.

*Auxiliary push button without timer for 4051912R and 4051916, 4051918.*

| Nr katalog.<br>Reference | $\frac{\text{Kg}}{\text{Kg}}$ | V        | °C         | ADR | IP |
|--------------------------|-------------------------------|----------|------------|-----|----|
| 4051913                  | 0,040                         | 12<br>24 | -30<br>+50 | X   | 67 |



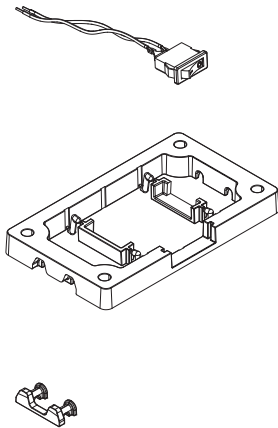
Timer, 20 min opóźnienia. Prąd znamionowy 10 A.

*Timer module, 20 Min delay. Commutable current 10 A.*

| Nr katalog.<br>Reference | $\frac{\text{Kg}}{\text{Kg}}$ | V        | °C         |
|--------------------------|-------------------------------|----------|------------|
| 4051918                  | 0,085                         | 12<br>24 | -20<br>+50 |

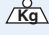


**STEROWANIE OŚWIETLENIEM - LIGHTING CONTROLS**



Zespół podstawki na linki, wyłącznik z 2 zaworami zaporowymi dla górnej lampy oświetlenia 4052260 i 4052400.

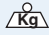
*Kit of 1 spacer, 1 switch and 2 wire conduit caps for 4052260 and 4052400.*

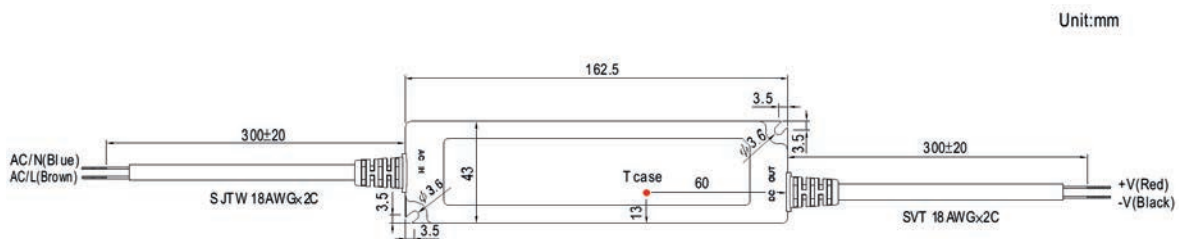
| Nr katalog.<br>Reference |  Kg |
|--------------------------|--|
| 4052273                  | 0,100  |

**ZASILANIE - POWER SUPPLIES**

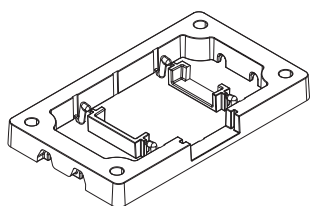


Zasilanie 230VAC/12VDC 5A dla lamp sufitowych LED.  
*230VAC/12VDC 5A Power supply for Led ceiling light.*

| Nr katalog.<br>Reference |  Kg | W  |
|--------------------------|--|----|
| 4052226                  | 0,408  | 60 |



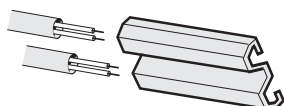
**OKABLOWANIE I AKCESORIA - CABLES AND ACCESSORIES**



Podstawka do kabli oświetlenia górnego 2 ledy 4052260 i Irizium 300 4052400.

*Spacer for 2 leds lighth 4052260 and Irizium 300 4052400.*

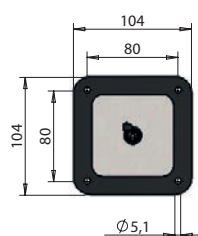
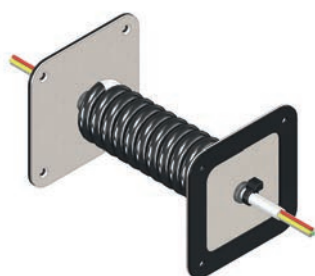
| Nr katalog.<br>Reference | Kg   |
|--------------------------|------|
| 4052270                  | 0,07 |



Profil przelotki, biały PCV.

*White P.V.C. wire conduit.*

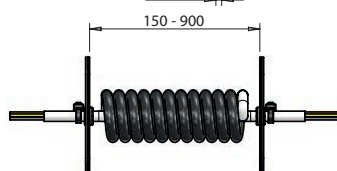
| Nr katalog.<br>Reference | Kg    | Długość<br>Length |
|--------------------------|-------|-------------------|
| 4051933                  | 0,075 | 5                 |



Kabel łączący 5 x 1 mm<sup>2</sup>, wtyczka 6.35 mm. Rozpiętość kabla: 150-900 mm. Płytki inox uszczelniona.

*Junction cable 5 x 1 mm<sup>2</sup>, 6.35 mm connectors. Extendable from 150 to 900 mm. Stainless steel plates with gaskets.*

| Nr katalog.<br>Reference | Kg    | Długość<br>Length |
|--------------------------|-------|-------------------|
| 025711174                | 0,454 | 150-900           |

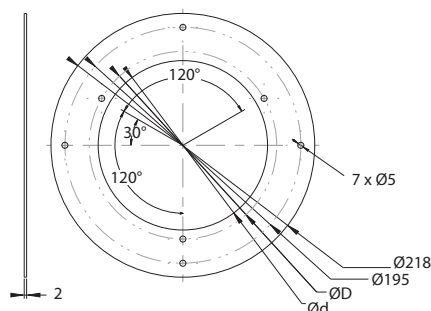


17



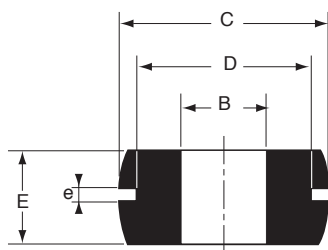
Dysk Adapter 8 leds do IRIZIUM 1000 i 4 leds do IRIZIUM 500 / 600.

*Adaptation disc 8 leds for IRIZIUM 1000 and 4 leds for IRIZIUM 500 / 600.*



| Nr katalog.<br>Reference | Kg    | Dla<br>For                    |
|--------------------------|-------|-------------------------------|
| 4052301                  | 0,340 | 4052300                       |
| 4052321                  | 0,340 | 4052320<br>4052350<br>4052370 |

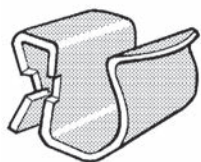
**OKABLOWANIE I AKCESORIA - CABLES AND ACCESSORIES**



Przelotki do kabli.

*Grommets.*

| Nr katalog.<br><i>Reference</i> | B<br>(mm) | C<br>(mm) | D<br>(mm) | E<br>(mm) | e<br>(mm) | ☒   |
|---------------------------------|-----------|-----------|-----------|-----------|-----------|-----|
| 5133533                         | 6         | 15        | 10        | 7         | 2         | 100 |
| 5133535                         | 7         | 15        | 10        | 7         | 2         | 100 |
| 5133537                         | 8         | 19        | 13        | 7         | 2         | 100 |
| 5103350                         | 8         | 20        | 12        | 7         | 2         | 100 |
| 5133406                         | 8         | 25        | 17        | 10        | 2         | 100 |
| 5133407                         | 10        | 19        | 15        | 7         | 2         | 100 |
| 5133409                         | 11        | 19        | 14        | 7         | 2         | 100 |
| 5103351                         | 12        | 25        | 18        | 10        | 2,5       | 100 |
| 5133541                         | 12        | 29        | 19        | 14        | 5         | 100 |
| 5103353                         | 24        | 44        | 34        | 15        | 2         | 100 |
| 5103340                         | 6         | 15        | 10        | 8         | 3         | 100 |

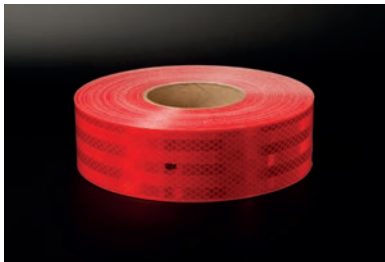


Zapinki do mocowania przewodów. Dla blach 2 do 7.

*Cables clips. For sheet 2 to 7.*

| Nr katalog.<br><i>Reference</i> | ∅     |
|---------------------------------|-------|
| 5052700                         | 06-09 |
| 5052710                         | 10-14 |


**TAŚMA OZNAKOWANIA DLA KAROSERII - STRIP MARKERS FOR RIGID BODY**

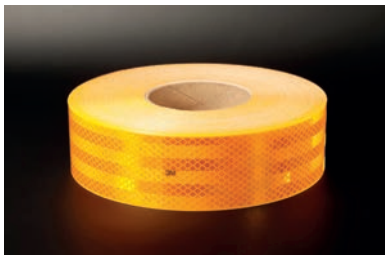


Taśma bezpieczeństwa ECE 104, czerwona, samoprzylepna dla boczego oznakowania pojazdów o dł. ponad 6 m i masie powyżej 3,5 t. Karton z 1 rolką taśmy.



*Red self adhesive security line ECE 104 for marker for vehicle more than 6 m length and 3,5 tons, 1 coil per box.*


| Nr katalog.<br>Reference |  / Kg | Szerokość<br>Width | Długość<br>Length | Klasa<br>Grade | Kolor<br>Colour |
|--------------------------|---|--------------------|-------------------|----------------|-----------------|
| 3805109                  | 1,70  | 55                 | 50 m              | DG             | Czerwone<br>Red |



Taśma bezpieczeństwa ECE 104, żółta, samoprzylepna dla boczego oznakowania pojazdów o dł. ponad 6 m i masie powyżej 3,5 t. Karton z 1 rolką taśmy.



*Yellow self adhesive security line ECE 104 for marker for vehicle more than 6 m length and 3,5 tons, 1 coil per box.*


| Nr katalog.<br>Reference |  / Kg | Szerokość<br>Width | Długość<br>Length | Klasa<br>Grade | Kolor<br>Colour |
|--------------------------|---|--------------------|-------------------|----------------|-----------------|
| 3805106                  | 1,70  | 55                 | 50 m              | DG             | żółty<br>Yellow |



Taśma bezpieczeństwa ECE 104, biała, samoprzylepna dla boczego oznakowania pojazdów o dł. ponad 6 m i masie powyżej 3,5 t. Karton z 1 rolką taśmy.



*White self adhesive security line ECE 104 for marker for vehicle more than 6 m length and 3,5 tons, 1 coil per box.*

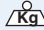
| Nr katalog.<br>Reference |  / Kg | Szerokość<br>Width | Długość<br>Length | Klasa<br>Grade | Kolor<br>Colour |
|--------------------------|---|--------------------|-------------------|----------------|-----------------|
| 3805105                  | 1,70  | 55                 | 50 m              | DG             | Biały<br>White  |

**TAŚMA OZNAKOWANIA DLA POJAZDÓW Z PLANDEKĄ - STRIP MARKERS FOR CURTAINSIDER VEHICLES**


Taśma bezpieczeństwa ECE 104, biała, samoprzylepna dla bocznego oznakowania pojazdów o dł. ponad 6 m i masie powyżej 3,5 t. Karton z 1 rolką taśmy, dla plandek.

**3M**

*White self adhesive security line ECE 104 for marker for vehicle more than 6 m length and 3,5 tons, 1 coil per box, for tarpaulin.*

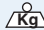
| Nr katalog.<br>Reference |  Kg | Szerokość<br>Width | Długość<br>Length | Klasa<br>Grade | Kolor<br>Colour |
|--------------------------|--|--------------------|-------------------|----------------|-----------------|
| 3805107                  | 1,70   | 51                 | 50 m              | DG             | Biały<br>White  |

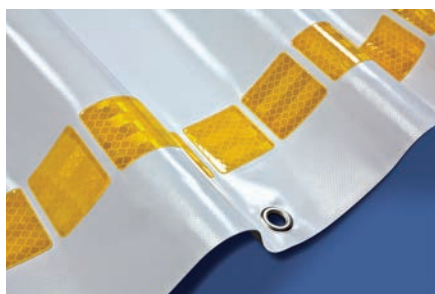


Taśma bezpieczeństwa samoprzylepna ECE 104, czerwona dla bocznego oznakowania pojazdów o dł. powyżej 6 m i masie powyżej 3,5 t. 1 karton z 1 rolką taśmy, dla plandeki.

**3M**

*Red self adhesive security line ECE 104 for marker for vehicle more than 6 m length and 3,5 tons, 1 coil per box, for tarpaulin.*

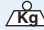
| Nr katalog.<br>Reference |  Kg | Szerokość<br>Width | Długość<br>Length | Klasa<br>Grade | Kolor<br>Colour |
|--------------------------|--|--------------------|-------------------|----------------|-----------------|
| 3805112                  | 1,70   | 51                 | 50 m              | DG             | Czerwone<br>Red |

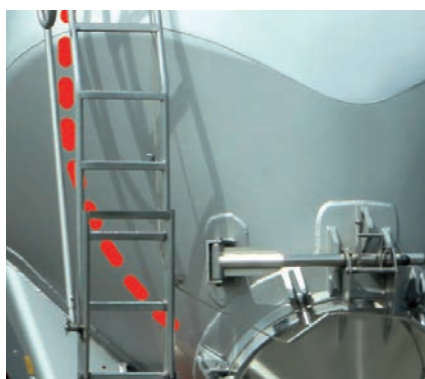


Taśma bezpieczeństwa ECE 104, żółta, samoprzylepna dla bocznego oznakowania pojazdów o dł. ponad 6 m i masie powyżej 3,5 t. Karton z 1 rolką taśmy, dla plandek.

**3M**

*Yellow self adhesive security line ECE 104 for marker for vehicle more than 6 m length and 3,5 tons, 1 coil per box for tarpaulin.*

| Nr katalog.<br>Reference |  Kg | Szerokość<br>Width | Długość<br>Length | Klasa<br>Grade | Kolor<br>Colour |
|--------------------------|--|--------------------|-------------------|----------------|-----------------|
| 3805108                  | 1,70   | 51                 | 50 m              | DG             | żółty<br>Yellow |

**TAŚMA OZNAKOWANIA DLA CYSTERN - STRIP MARKERS FOR TANKERS**


Taśma bezpieczeństwa samoprzylepna ECE 104, czerwona dla bocznego oznakowania pojazdów o dł. powyżej 6 m i masie powyżej 3,5 t. 1 karton z 1 rolką taśmy, dla cysterny.

**3M**

*Red self adhesive security line ECE 104 for marker for vehicle more than 6 m length and 3,5 tons, 1 coil per box, for tanker.*

| Nr katalog.<br>Reference |  Kg | Szerokość<br>Width | Długość<br>Length | Klasa<br>Grade | Kolor<br>Colour |
|--------------------------|--|--------------------|-------------------|----------------|-----------------|
| 3805113                  | 1,70   | 50                 | 50 m              | DG             | Czerwone<br>Red |

**17**

**TAŚMA OZNAKOWANIA DWUKOLOROWA - ALTERNATE STRIP MARKERS**



1 / (A)



2 / (B)

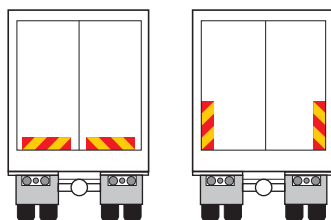
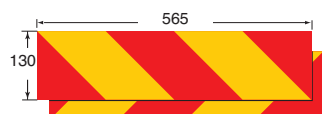


Taśma samoprzylepna czerwono/biała. Karton z 2 rolkami 1-prawa, 1-lewa.

*Alternate red and white stripes self-adhesive, 1 box of 2 rolls 1 right - 1 left.*

| Nr katalog.<br>Reference | Szerokość<br>Width | Długość<br>Length | Klasa<br>Grade |
|--------------------------|--------------------|-------------------|----------------|
| 3805110                  | 140                | 9000              | 1-A            |
| 3805111                  | 140                | 9000              | 2-B            |

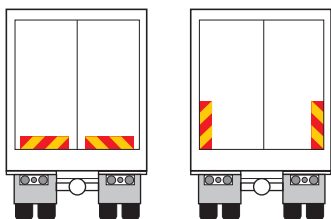
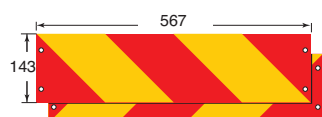
**TABLICE SYGNALIZACYJNE DLA KONTENERÓW - REFLECTING PLATES FOR TRUCKS**



Zestaw 2 samoprzylepnych tablic ECE 70-01RF (zmiana 01), do pojazdów o masie 6 ton i większej.

*Set of two adhesives ECE 70-01RF (Amendment 01) for 6 tons vehicle and over.*

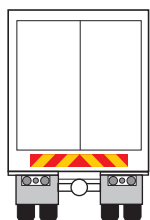
| Nr katalog.<br>Reference | Kg   |
|--------------------------|------|
| 3805374                  | 0,09 |



Zestaw 2 tablic z materiału termoplastycznego z sygnalizacją odbłaskową, gr. 5 mm ECE 70-01RF (zmiana 01), do pojazdów o masie 6 ton i więcej.

*Set of two thermo plastic plates with reflector 5 mm th. ECE 70-01RF (Amendment 01) for 6 tons vehicle and over.*

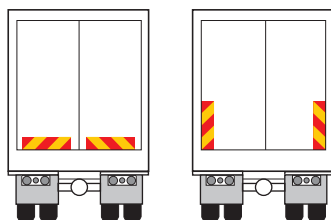
| Nr katalog.<br>Reference | Kg  |
|--------------------------|-----|
| 3805391                  | 0,6 |



Tablica aluminiowa, grubość 1 mm, wg ECE 70-01RF do pojazdów o masie 6 ton i większej.

*Aluminium plate 1 mm th. ECE 70-01RF (Amendment 01) for 6 tons vehicle and over.*

| Nr katalog.<br>Reference | Kg   |
|--------------------------|------|
| 3805370                  | 0,46 |

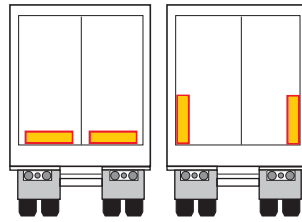
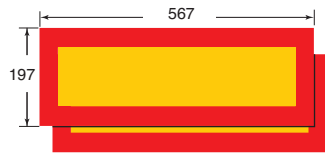


Zestaw 2 tablic aluminiowych, grubość 1 mm, wg ECE 70-01RF do pojazdów o masie 6 ton i większej.

*Set of two aluminium plates 1 mm th. ECE 70-01RF (Amendment 01) for 6 tons vehicle and over.*

| Nr katalog.<br>Reference | Kg   |
|--------------------------|------|
| 3805371                  | 0,46 |

**TABLICE SYGNALIZACYJNE DLA NACZEP - REFLECTING PLATES FOR SEMI-TRAILERS**

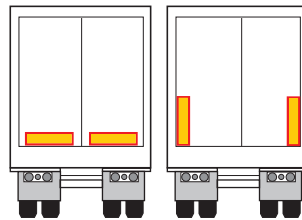


Zestaw 2 tablic z tworzywa termoplastycznego, grubość 3 mm ECE 70-01RF, dla przyczep o masie 6 ton i większej.  
*Set of two thermo plastic plates 3 mm th. ECE 70-01RF (Amendment 01) for 6 tons trailer and over.*

Nr katalog.  
Reference



3805389 0,675

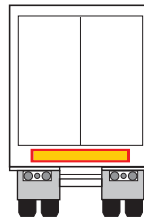
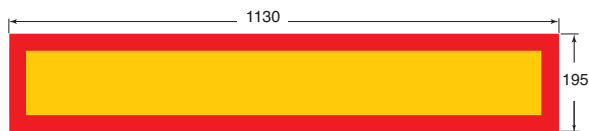


Zestaw 2 naklejek samoprzylepnych, ECE 70-01RF do pojazdów o masie 6 ton i większych.  
*Set of two adhesives ECE 70-01RF (Amendment 01), for 6 tons trailer and over.*

Nr katalog.  
Reference



3805390 0,13

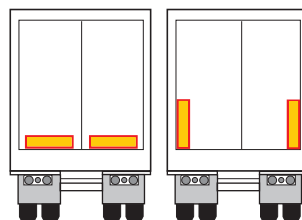


Tablica aluminiowa, grubość 1 mm, wg ECE 70-01RF do przyczep o masie 6 ton i większej.  
*Aluminium plate 1 mm th. ECE 70-01RF (Amendment 01) for 6 tons trailer and over.*

Nr katalog.  
Reference



3805375 0,68



Zestaw 2 tablic aluminiowych, grubość 1 mm, wg ECE 70-01RF (zmiana 01), do pojazdów o masie 6 ton i większej.  
*Set of two aluminium plates 1 mm th. ECE 70-01RF (Amendment 01) for 6 tons trailer and over.*

Nr katalog.  
Reference



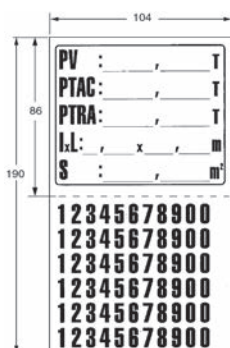
3805376 0,68

OZNAKOWANIE SAMOPRZYLEPNE - *ADHESIVE MARKING*



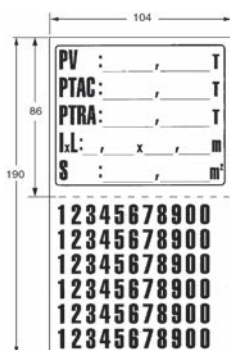
Tarcza samoprzylepna ograniczenia prędkości Ø 200 mm.  
*Speed limit disk Ø 200 mm, adhesive sheet.*

| Nr katalog.<br><i>Reference</i> | Ø   | Prędkość<br><i>Speed</i> | Typ<br><i>Type</i> |
|---------------------------------|-----|--------------------------|--------------------|
| 3851370J                        | 200 | 60                       | ADH                |
| 3851370L                        | 200 | 70                       | ADH                |
| 3851370M                        | 200 | 80                       | ADH                |
| 3851370N                        | 200 | 90                       | ADH                |



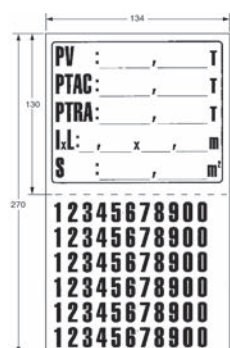
Tarcza oznakowania masy własnej pojazdu samoprzylepna, biała, 104 x 190 mm, 60 cyfr czarnych.  
*White adhesive sheets for vehicle mass 104 x 190 mm, sixty black precut figures.*

|                                 |
|---------------------------------|
| Nr katalog.<br><i>Reference</i> |
| 3805141                         |



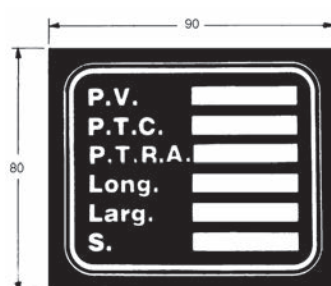
Tarcza samoprzylepna oznakowania masy własnej własnej pojazdu przezroczysta, 104 x 190 mm, 60 cyfr czarnych.  
*Transparent adhesive sheets for vehicle mass 104 x 190 mm, sixty black precut figures.*

|                                 |
|---------------------------------|
| Nr katalog.<br><i>Reference</i> |
| 3805142                         |



Tarcza samoprzylepna oznakowania masy własnej własnej pojazdu, biała, 134 x 270 mm, 60 cyfr czarnych.  
*White adhesive sheets for vehicle mass 134 x 270 mm, sixty black precut figures.*

|                                 |
|---------------------------------|
| Nr katalog.<br><i>Reference</i> |
| 3805143                         |



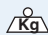
Tarcza samoprzylepna oznakowania masy własnej pojazdu z aluminium dla naczepy.  
*Adhesive aluminium sheet for trailer.*

|                                 |
|---------------------------------|
| Nr katalog.<br><i>Reference</i> |
| 3805191                         |



**TABLICE Z SYMBOLAMI - PLATES - SYMBOLS**


Symbol samoprzylepny 300 x 300 mm „UWAGA - ŁADUNEK ZAGRAŻA EKSPLOZJĄ”:  
*Adhesive symbol EXPLOSION DANGER.*

|                          |   |
|--------------------------|---|
| Nr katalog.<br>Reference |  |
| 3805150A                 | 0,026   |




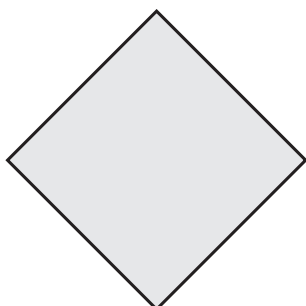
Symbol samoprzylepny 300 x 300 mm „UWAGA - ŁATWOPALNY ŁADUNEK PŁYNNY LUB GAZOWY”:  
*Adhesive symbol FIRE DANGER, LIQUID MATTER or INFLAMMABLE GAS.*

|                          |   |
|--------------------------|---|
| Nr katalog.<br>Reference |  |
| 3805151A                 | 0,026   |



Symbol samoprzylepny 300 x 300 mm „UWAGA - TRUJĄCY ŁADUNEK PŁYNNY LUB GAZOWY”:  
*Adhesive symbol TOXIC MATTER or GAS.*

|                          |   |
|--------------------------|---|
| Nr katalog.<br>Reference |  |
| 3805152A                 | 0,026   |



Pusta tabliczka aluminiowa 300 x 300 mm.  
*Striped alu plate 300 x 300 mm.*

|                          |   |
|--------------------------|---|
| Nr katalog.<br>Reference |  |
| 3805150P                 | 0,024   |




Szyld aluminiowy 300 x 400 mm do samoprzylepnych symboli, bez pasa poprzecznego.  
*Adhesive symbol 300 x 400 mm identification without bar.*

|                          |   |
|--------------------------|---|
| Nr katalog.<br>Reference |  |
| 3805160A                 | 0,035   |

TABLICE Z SYMBOLAMI - PLATES - SYMBOLS




Symbole substancje radioaktywne. 300 x 300 mm.  
*Hazardous radioactive substances symbol. 300 x 300 mm.*

| Nr katalog.<br>Reference |  |
|--------------------------|---|
| 3805153A                 | 0,026   |



Symbole niebezpieczeństwo biologiczne. 300 x 300 mm.  
*Hazardus infectious materials symbol. 300 x 300 mm.*

| Nr katalog.<br>Reference |  |
|--------------------------|---|
| 3805154A                 | 0,026   |

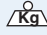


Symbole substancje utleniające. 300 x 300 mm.  
*Hazardous oxidizing materials symbol. 300 x 300 mm.*

| Nr katalog.<br>Reference |  |
|--------------------------|---|
| 3805155A                 | 0,026   |

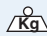


Symbole substancje niebezpieczne dla środowiska.  
300 x 300 mm.  
*Materials hazardous for environment. 300 x 300 mm.*

| Nr katalog.<br>Reference |  |
|--------------------------|---|
| 3805156A                 | 0,026   |



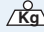
Symbole gaz sprężony łatwopalny. 300 x 300 mm.  
*Non-flammable, non toxic symbol. 300 x 300 mm.*

| Nr katalog.<br>Reference |  |
|--------------------------|---|
| 3805157A                 | 0,026   |

**TABLICE Z SYMBOLAMI - PLATES - SYMBOLS**




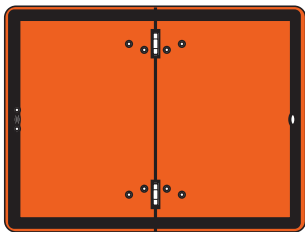
Symbol identyfikacyjny 300 x 400 mm, z pasem poprzecznym, samoprzylepny.  
*Adhesive symbol 300 x 400 mm identification with bar.*

|                                 |   |
|---------------------------------|---|
| Nr katalog.<br><i>Reference</i> |  |
| <b>3805161A</b>                 | 0,035   |




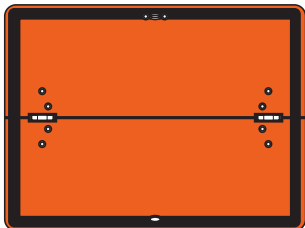
Tabliczka aluminiowa 300 x 400 mm dla naklejania symboli.  
*Alu plate 300 x 400 mm for adhesive symbols.*

|                                 |   |
|---------------------------------|---|
| Nr katalog.<br><i>Reference</i> |  |
| <b>3805160P</b>                 | 0,31  |




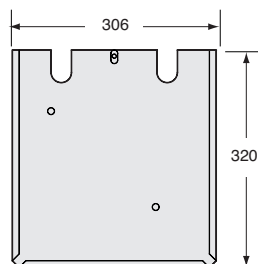
Tablica identyfikacyjna, składana pionowo, 300 x 400 x 1,5 mm, aluminiowa.  
*Aluminium identification plate 300 x 400 x 1,5 mm, vertical folding.*

|                                 |   |
|---------------------------------|---|
| Nr katalog.<br><i>Reference</i> |  |
| <b>3805158</b>                  | 0,588   |




Tablica identyfikacyjna, składana poziomo, 300 x 400 x 1,5 mm, aluminiowa.  
*Aluminium identification plate 300 x 400 x 1,5 mm, horizontal folding.*

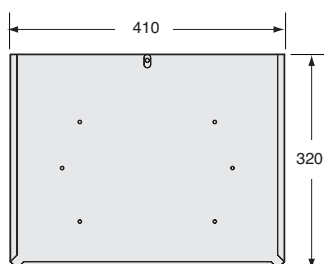
|                                 |   |
|---------------------------------|---|
| Nr katalog.<br><i>Reference</i> |  |
| <b>3805159</b>                  | 0,588   |



Uchwyt stal ocynk, ADR2009 dla tablicy 300 x 300 mm.  
*Zinc plated steel support, ADR2009, for 300 x 300 mm plate.*

|                                 |   |
|---------------------------------|---|
| Nr katalog.<br><i>Reference</i> |  |
| <b>3805188</b>                  | 0,645   |

TABLICE Z SYMBOLAMI - *PLATES - SYMBOLS*



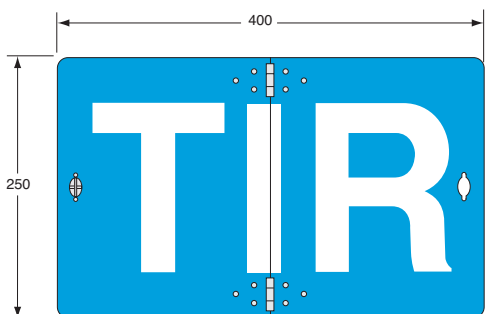
Uchwyt stal ocynk , ADR 2009 dla tablicy 300 x 400 mm.  
*Zinc plated steel support, ADR2009, for 300 x 400 mm plate.*

|                                 |       |
|---------------------------------|-------|
| Nr katalog.<br><i>Reference</i> |       |
| 3805189                         | 0,885 |



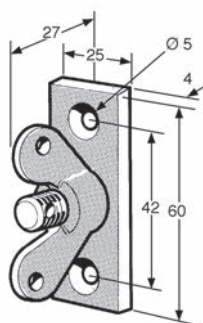
Tablica „TIR”, białe litery na niebieskim tle, aluminiowa.  
*Aluminium TIR plate, blue with white letter.*

|                                 |       |
|---------------------------------|-------|
| Nr katalog.<br><i>Reference</i> |       |
| 3805138                         | 0,034 |



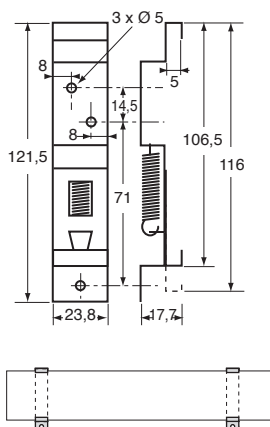
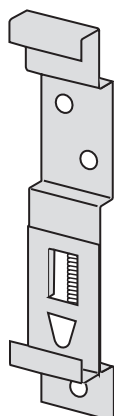
Tablica „TIR”, aluminiowa, składana pionowo, białe litery na niebieskim tle.  
*Aluminium TIR folding plate, blue with white letter.*

|                                 |       |
|---------------------------------|-------|
| Nr katalog.<br><i>Reference</i> |       |
| 3805185                         | 0,086 |



Zacisk tablicy TIR, stal cynkowa, z nakrętką skrzydełkową.  
*Zinc plated steel TIR base plate and wing nut.*

|                                 |       |
|---------------------------------|-------|
| Nr katalog.<br><i>Reference</i> |       |
| 3805144                         | 0,085 |



Wspornik tabliczki, stal nierdzewna.  
*Stainless steel number plate holder.*

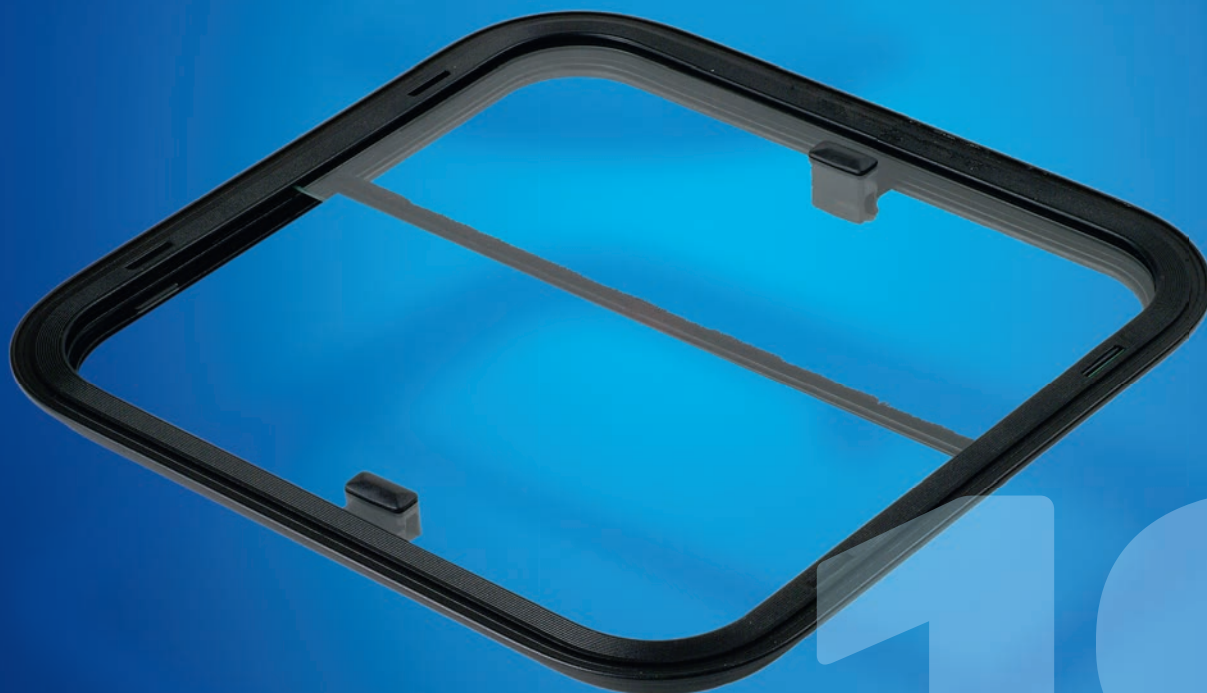
|                                 |       |
|---------------------------------|-------|
| Nr katalog.<br><i>Reference</i> |       |
| 3805157                         | 0,035 |

## WYPOSAŻENIE SKRZYNEK

Pokrycia podłogowe, wentylacja, okna, uszczelki, półki regałów, półki

## **BOX ACCESSORIES**

*Non-slip covering, ventilators, windows, seals, clayettes, shelves*

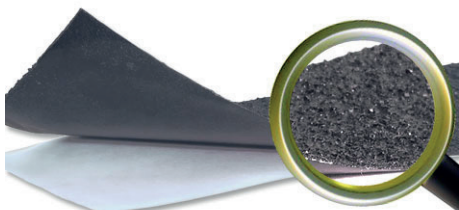


18



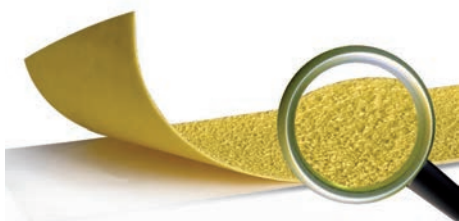
**WYKŁADZINY PODŁOGOWE DO POŁOŻENIA - FLOOR COVERINGS TO LAY**


TBS 10 samoprzylepna czarna - granulki z poliuretanu.  
*TBS 10 self-adhesive - polyurethan powder.*



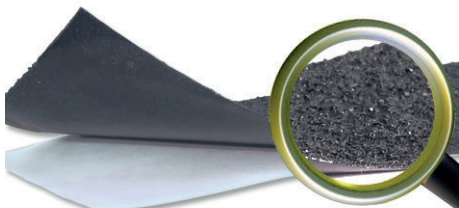
| Nr katalog.<br>Reference |  | Szerokość<br>Width<br>(mm) | Długość<br>Length<br>(m) | Grubość<br>Thickness<br>(mm) |
|--------------------------|---|----------------------------|--------------------------|------------------------------|
| 4471817                  | 0,160   | 25                         | 10                       | 1                            |
| 4471818                  | 0,455   | 50                         | 10                       | 1                            |
| 4471819                  | 0,840   | 100                        | 10                       | 1                            |
| 4471820                  | 1,358   | 150                        | 10                       | 1                            |
| 4471821                  | 2,89  | 300                        | 10                       | 1                            |
| 4471822                  | 4,84  | 610                        | 10                       | 1                            |

Rollka TBS10 samoprzylepna żółta szer. 40 mm.  
*Self adhesive yellow TBS10, 40 mm width roll.*



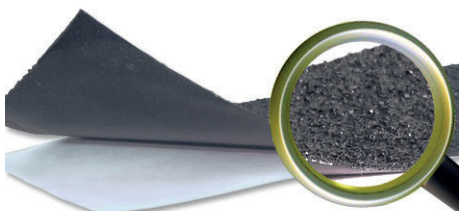
| Nr katalog.<br>Reference |  | Szerokość<br>Width<br>(mm) | Długość<br>Length<br>(m) | Grubość<br>Thickness<br>(mm) |
|--------------------------|---|----------------------------|--------------------------|------------------------------|
| 4471840                  | 0,1   | 40                         | 2,5                      | 1                            |

TBS 11R samoprzylepna, kolor czarny. Granulki korundowe.  
*TBS 11R self-adhesive Black. Sand powder.*



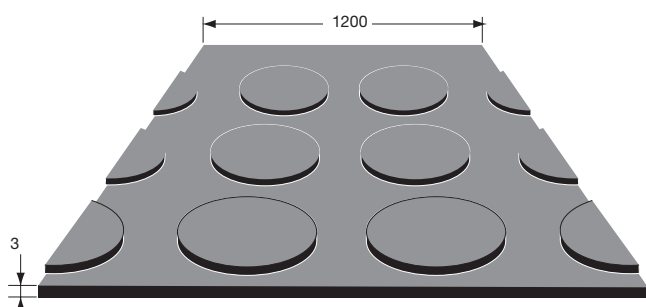
| Nr katalog.<br>Reference |  | Szerokość<br>Width<br>(mm) | Długość<br>Length<br>(m) | Grubość<br>Thickness<br>(mm) |
|--------------------------|---|----------------------------|--------------------------|------------------------------|
| 4471849                  | 0,360   | 25                         | 10                       | 1                            |
| 4471850                  | 0,720   | 50                         | 10                       | 1                            |
| 4471851                  | 1,580   | 100                        | 10                       | 1                            |
| 4471852                  | 1,740   | 150                        | 10                       | 1                            |
| 4471853                  | 3,480   | 300                        | 10                       | 1                            |
| 4471854                  | 7,200   | 610                        | 10                       | 1                            |

TBS 21 samoprzylepna, kolor czarny, granulki z poliuretanu.  
*TBS 21 self-adhesive, polyurethan powder.*



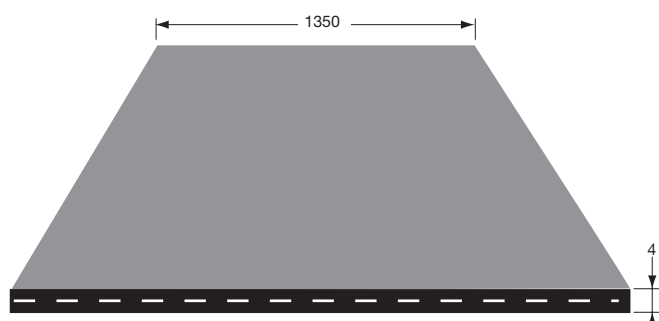
| Nr katalog.<br>Reference |  | Szerokość<br>Width<br>(mm) | Długość<br>Length<br>(m) | Grubość<br>Thickness<br>(mm) |
|--------------------------|---|----------------------------|--------------------------|------------------------------|
| 4471823                  | 1,045   | 40                         | 10                       | 2,1                          |
| 4471825                  | 2,98  | 100                        | 10                       | 2,1                          |
| 4471826                  | 8,34  | 300                        | 10                       | 2,1                          |
| 4471827                  | 15,80   | 600                        | 10                       | 2,1                          |
| 4471828                  | 0,650   | 25                         | 10                       | 2,1                          |
| 4471829                  | 10,00   | 320                        | 10                       | 2,1                          |

WYKŁADZINY PODŁOGOWE DO POŁOŻENIA - *FLOOR COVERINGS TO LAY*



Mata gumowa, czarny przeciwpoślizgowa.  
*Non slipping black rubber mat.*

| Nr katalog.<br>Reference |  Kg | Szerokość<br>Width | Długość<br>Length | Grubość<br>Thickness |
|--------------------------|--|--------------------|-------------------|----------------------|
| 4503494                  | 46   | 1200               | 10                | 3                    |




Mata gumowa, gładka ze splotem wzmacniającym.  
*Plain rubber mat, fabric reinforced.*

| Nr katalog.<br>Reference |  Kg | Szerokość<br>Width | Długość<br>Length | Grubość<br>Thickness |
|--------------------------|--|--------------------|-------------------|----------------------|
| 4503498                  | 100  | 1350               | 10                | 4                    |

WYKŁADZINY PODŁOGOWE DO POKRYCIA - *FLOOR COVERINGS TO APPLY*




TABUFLEX-Czarny-pojemnik 16,5 Kg żywicy + 2,8 Kg.  
utwardzacza, zestaw 5 m<sup>2</sup>.  
*TABUFLEX-Black-16.5 Kg can resin + 2,8 can hardener, 5 m<sup>2</sup> kit.*

| Nr katalog.<br>Reference |  Kg |
|--------------------------|--|
| 4471930                  | 20   |

18



Granulat kauczukowy - torba 18 Kg.  
*Rubber granules - 18 Kg bag.*


| Nr katalog.<br>Reference |  Kg |
|--------------------------|--|
| 4471960                  | 18   |



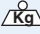
WYKŁADZINY PODŁOGOWE DO POKRYCIA - *FLOOR COVERINGS TO APPLY*



Utwardzacz - pojemnik 2,8 Kg Zwiększa twardość żywicy.  
*Hardener - 2,8 Kg can. To increase the hardness of the resin.*

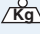
| Nr katalog.<br><i>Reference</i> |  |
|---------------------------------|---|
| 4471950                         | 3   |

Proszek tiksotropowy - pojemnik 1Kg. Służy do podnoszenia i przemieszczania kół.  
*Thixotropic powder - 1Kg can. For vertical surface use.*

| Nr katalog.<br><i>Reference</i> |  |
|---------------------------------|---|
| 4471945                         | 1,1   |

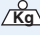


Podkład dla powierzchni stal/aluminiowa. Wydajność 1 litr na 4 m<sup>2</sup>.  
*Steel /aluminium primer. Coverage : 1 liter for 4 m<sup>2</sup>.*

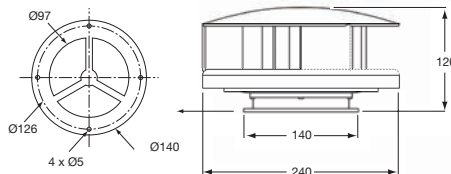
| Nr katalog.<br><i>Reference</i> |  |
|---------------------------------|---|
| 4471905                         | 1,11  |
| 4471906                         | 5,11  |



Podkład dla powierzchni drewnianej - pojemnik 5 litrów  
Wydajność 1 litr na 1.5 m<sup>2</sup>.  
*Wood primer - 5 liter can. Coverage : 1 liter for 1,5 m<sup>2</sup>.*

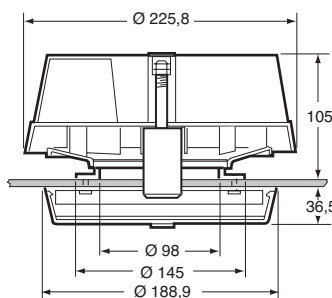
| Nr katalog.<br><i>Reference</i> |  |
|---------------------------------|---|
| 4471907                         | 5,25  |

WENTYLATORY - VENTILATOR



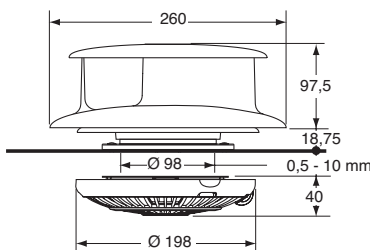
Wywiewnik grawitacyjny biały z ABS. Wydatek powietrza 80 m<sup>3</sup>/h przy 50 km/h, i 168 m<sup>3</sup>/h przy 100 km/h. **SIROCO**  
*White ABS rotary ventilator. Flow of 80 m<sup>3</sup>/h at 50 km/h. Flow of 168 m<sup>3</sup>/h at 100 km/h.*

| Nr katalog.<br>Reference | Kg   |
|--------------------------|------|
| 4104688                  | 0,70 |



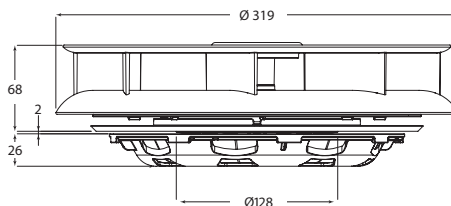
Wywiewnik grawitacyjny Flettner 2000. Wydatek powietrza 51 m<sup>3</sup>/h przy 50 km/h i 108 m<sup>3</sup>/h przy 100 km/h.  
*Flettner 2000 rotary ventilator. Flow of 51 m<sup>3</sup>/h at 50 km/h. Flow of 108 m<sup>3</sup>/h at 100 km/h.*

| Nr katalog.<br>Reference | Kg    | Kolor<br>Colour |
|--------------------------|-------|-----------------|
| 4104691                  | 0,665 | Czarny<br>Black |
| 4104691BL                | 0,665 | Biały<br>White  |



Wywiewnik grawitacyjny Flettner TCX biały. Wydatek powietrza 99 m<sup>3</sup>/h przy 50 km/h i 214 m<sup>3</sup>/h przy 100 km/h.  
*Flettner TCX white rotary ventilator. Flow of 99 m<sup>3</sup>/h at 50 km/h. Flow of 214 m<sup>3</sup>/h at 100 km/h.*

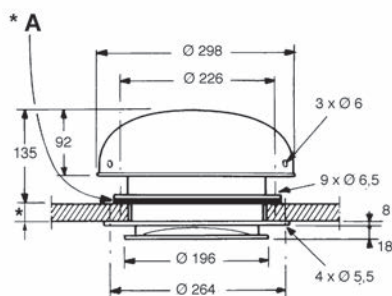
| Nr katalog.<br>Reference | Kg   |
|--------------------------|------|
| 4104692                  | 1,28 |



Wywiewnik grawitacyjny, biały ABS. Wydatek powietrza 113 m<sup>3</sup>/h przy 50km/h. Wydatek powietrza 246 m<sup>3</sup>/h przy 100 km/h.  
*White rotary ventilator. Flow of 113 m<sup>3</sup>/h at 50 km/h. Flow of 246 m<sup>3</sup>/h at 100 km/h.*

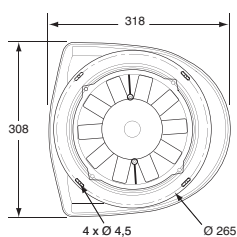
| Nr katalog.<br>Reference | Kg   |
|--------------------------|------|
| 4104695                  | 1,20 |

**WENTYLATORY - VENTILATOR**



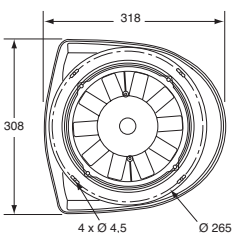
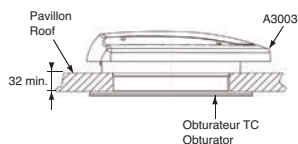
Biały wywietrznik o dwukierunkowym działaniu z wyłącznikiem. Wydatek powietrza 350 m<sup>3</sup>/h. Z silnikiem 12 V. (\*A) Z uszczelką.  
**SIROCO**  
*White motorised ventilator with two operating modes.  
Capacity of 350 m<sup>3</sup>/h of air. Supplied with a 12 V drive motor.  
Equipped with rubber weatherstrip.*

| Nr katalog.<br>Reference |      |
|--------------------------|------|
| 4104683                  | 2,20 |



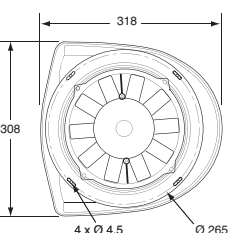
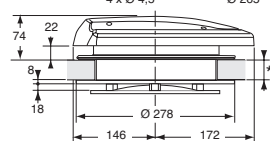
Biały cichy wentylator z dyfuzorem TC. Wydajność 450 m<sup>3</sup> na godzinę.  
**SIROCO**  
*White silent ventilator with obturator TC.  
Capacity of 450 m<sup>3</sup>/h of air.*

| Nr katalog.<br>Reference |      | V   |
|--------------------------|------|-----|
| 4104710                  | 2,25 | 12V |
| 4104711                  | 2,25 | 24V |



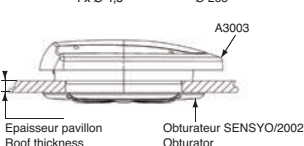
Biały wywietrznik o dwukierunkowym działaniu. Wydatek powietrza 670 m<sup>3</sup>/h.  
**SIROCO**  
*White ventilator with two operating modes.  
Capacity of 670 m<sup>3</sup>/h of air.*

| Nr katalog.<br>Reference |      | V    |
|--------------------------|------|------|
| 4104685                  | 2,25 | 12 V |
| 4104686                  | 2,25 | 24 V |

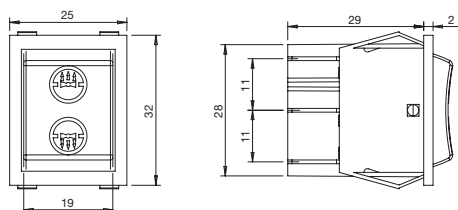


Czarny wentylator z kierownicą powietrza i dyfuzorem SENSYO. Wydajność 670 m<sup>3</sup> na godzinę.  
**SIROCO**  
*Black ventilator with directional air and obturator SENSYO.  
Capacity of 670 m<sup>3</sup>/h of air.*

| Nr katalog.<br>Reference |      | V   |
|--------------------------|------|-----|
| 4104712                  | 2,25 | 12V |
| 4104713                  | 2,25 | 24V |



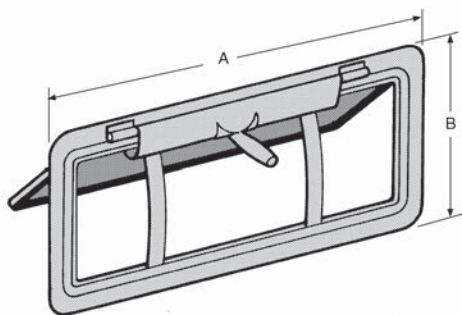
**AKCESORIA DO WENTYLATORÓW - VENTILATOR ACCESSORIES**



Wyłącznik wentylatora.  
**SIROCO**  
*Switch for ventilator.*

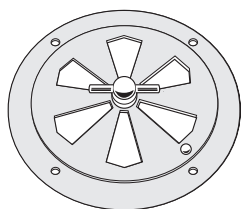
| Nr katalog.<br>Reference | Dla<br>For                    |
|--------------------------|-------------------------------|
| 4104684                  | 4104685<br>4104683<br>4104686 |

**WYWIETRZNIKI I PRZESŁONY - AIR DISTRIBUTOR**



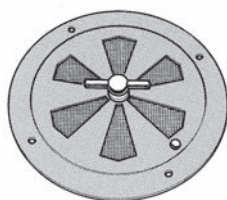
Wywiewnik, blacha stalowa, z uszczelką gumową.  
*Cab ventilator in steel with rubber seal.*

| Nr katalog.<br>Reference | $\triangle$ Kg | A<br>(mm) | B<br>(mm) |
|--------------------------|----------------|-----------|-----------|
| 4137320                  | 0,42           | 235       | 110       |
| 4137331                  | 0,505          | 310       | 110       |



Rozdzielacz.  
*Air distributor.*

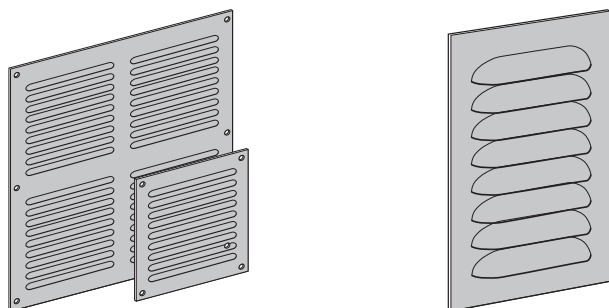
| Nr katalog.<br>Reference | $\triangle$ Kg | $\emptyset$ | Zakończyć<br>Finish                |
|--------------------------|----------------|-------------|------------------------------------|
| 4104672IN                | 0,365          | 230         | Stal nierdzewna<br>Stainless steel |



Rozdzielacz powietrza, stal nierdzewna, polerowany, z siatki,  $\emptyset$  150.  
*Polished stainless steel air distributor with screen  $\emptyset$  150 mm.*

| Nr katalog.<br>Reference | $\triangle$ Kg | $\emptyset$ |
|--------------------------|----------------|-------------|
| 4146710                  | 0,18           | 150         |

**ŻALUZJE - SHUTTER**

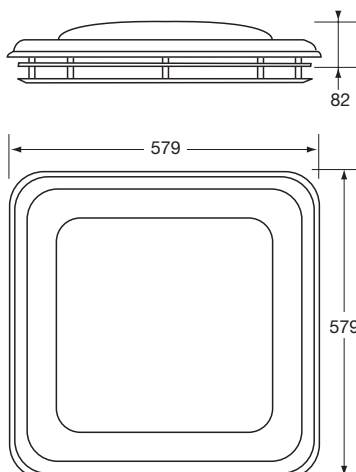


Żaluzje, blacha aluminiowa AG3.  
*Shutter, AG3 aluminium.*

| Nr katalog.<br>Reference | $\triangle$ Kg | Długość<br>Length | Grubość<br>Thickness | Wysokość<br>Height |
|--------------------------|----------------|-------------------|----------------------|--------------------|
| 4137275VV                | 0,062          | 150               | 1                    | 150                |
| 4137275FF                | 0,244          | 300               | 1                    | 300                |
| 4137275TY                | 0,1            | 180               | 1,5                  | 130                |
| 4137275FD                | 0,24           | 200               | 1,5                  | 300                |
| 4137275HF                | 0,49           | 300               | 1,5                  | 400                |
| 4137275JG                | 0,7            | 350               | 1,5                  | 500                |

**WYWIETRZNIKI DACHOWE - ROOF HATCH**

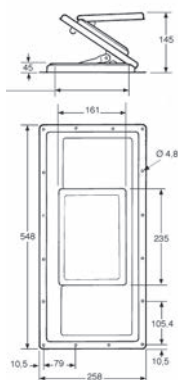
18




Wywiewnik dachowy z ABS i poliwęglanu, ramka wewnętrzna dla otworu 500 x 500 mm (sama pokrywa\*).  
*Moulded roof hatch, ABS mechanism, polycarbonate dome, inner frame 500 x 500 mm (cover only\*).*

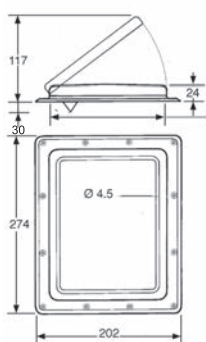
| Nr katalog.<br>Reference | $\triangle$ Kg | Typ<br>Type |
|--------------------------|----------------|-------------|
| 4104668                  | 1,95           |             |
| 4104668CO                | 1,55           | *           |

**WYWIETRZNIKI DACHOWE - ROOF HATCH**




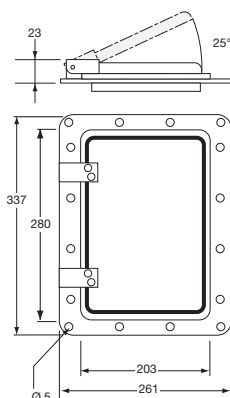
Wywietrznik z podwójnym otwarciem, stalowy, malowany na czarny matowy.  
*Double cab ventilator in black enamelled steel plate.*

|                          |   |
|--------------------------|---|
| Nr katalog.<br>Reference |  |
| 4104678                  | 2,5   |




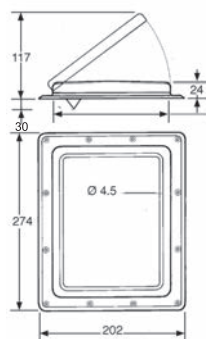
Wywietrznik stal / aluminium.  
*Steel / aluminium ventilator.*

|                          |   |
|--------------------------|---|
| Nr katalog.<br>Reference |  |
| 4104658                  | 0,935   |

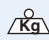


Wywietrznik stal / aluminium.  
*Steel / aluminium ventilator.*

|                          |   |
|--------------------------|---|
| Nr katalog.<br>Reference |  |
| 4104659                  | 1,325   |




Wywietrznik, stal cynkowana, bez kratki ABS.  
*Zinc plated steel ventilator, without ABS screen.*

|                          |   |
|--------------------------|---|
| Nr katalog.<br>Reference |  |
| 4104660                  | 0,82  |

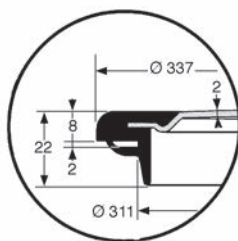


Kratka z brązowego ABS do nawiewu 4104660.  
*Brown ABS screen for ventilator 4104660.*

|                          |   |            |
|--------------------------|---|------------|
| Nr katalog.<br>Reference |  | Dla<br>For |
| 4104660GR                | 0,13  | 4104660    |



ŚWIETLIKI DACHOWE - *ROOF WINDOWS*



Świetlik dachowy z przezroczystego poliwęglanu, Ø 337 mm.  
*Roof hatch, Ø 337 mm, in translucent polycarbonate.*

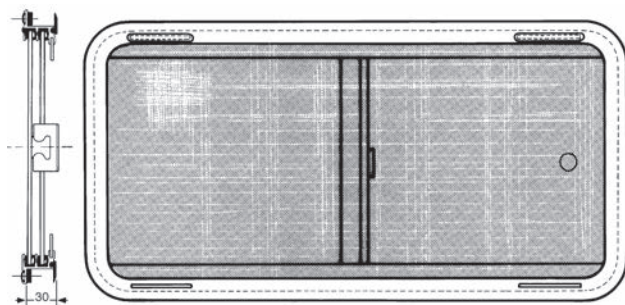
| Nr katalog.<br><i>Reference</i> | Kg    | Ø   |
|---------------------------------|-------|-----|
| 4104661                         | 0,415 | 337 |

OKNA PRZESUWNE - *SLIDING WINDOWS*

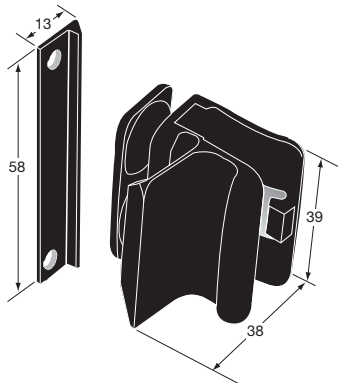
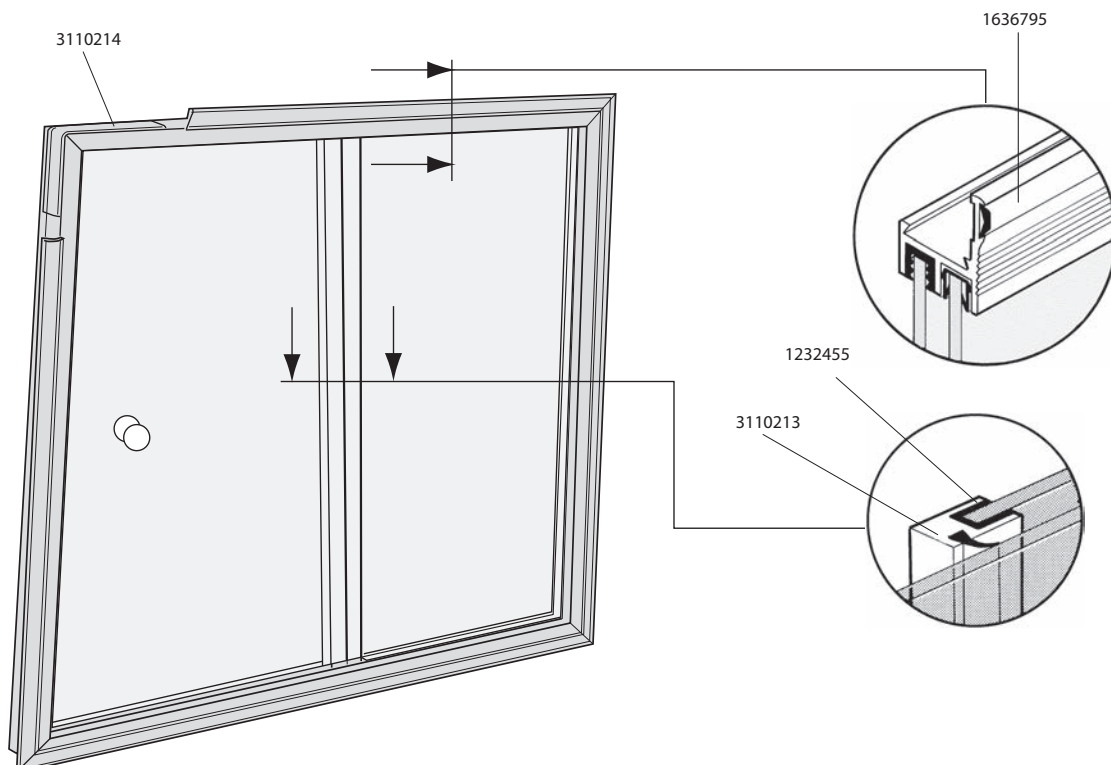


Okno z 2. przesuwными, bezbarwnymi szybami, w ramie aluminiowej malowanej czarnym lakierem epoksydowym.  
*Sliding windows, black epoxy aluminium, two transparent sliding plate glasses (dimensions given for cut-out).*

| Nr katalog.<br><i>Reference</i> | Kg  | Szerokość<br><i>Width</i> | Długość<br><i>Length</i> | Promień<br><i>Radius</i> |
|---------------------------------|-----|---------------------------|--------------------------|--------------------------|
| 4147412                         | 4,2 | 500                       | 500                      | 75                       |
| 4147413                         | 4,2 | 400                       | 600                      | 75                       |
| 4147414                         | 5,7 | 475                       | 750                      | 75                       |
| 4147415                         | 7   | 500                       | 900                      | 75                       |
| 4147416                         | 9   | 500                       | 1200                     | 75                       |

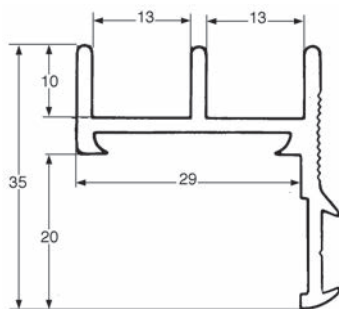


**OKNA PRZESUWNE NA MIARĘ - CUSTOM SLIDING WINDOWS**



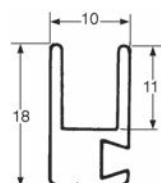
Zamek okna plastik czarny.  
*Lock for sliding window, black plastic.*

| Nr katalog.<br>Reference | Kg   |
|--------------------------|------|
| 3110211                  | 0,28 |



Profil aluminiowy anodowany.  
*Anodized aluminium profile.*

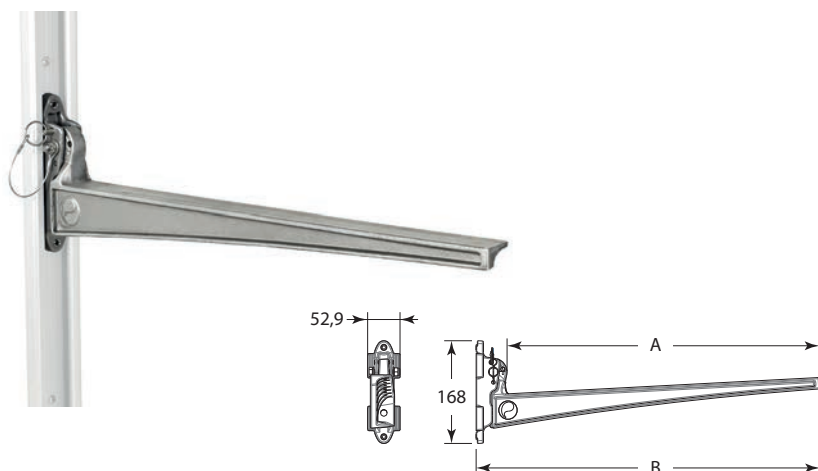
| Nr katalog.<br>Reference | Kg    | Długość<br>Length |
|--------------------------|-------|-------------------|
| 3110212                  | 0,456 | 5000              |



Profil aluminiowy anodowany.  
*Anodized aluminium profile.*

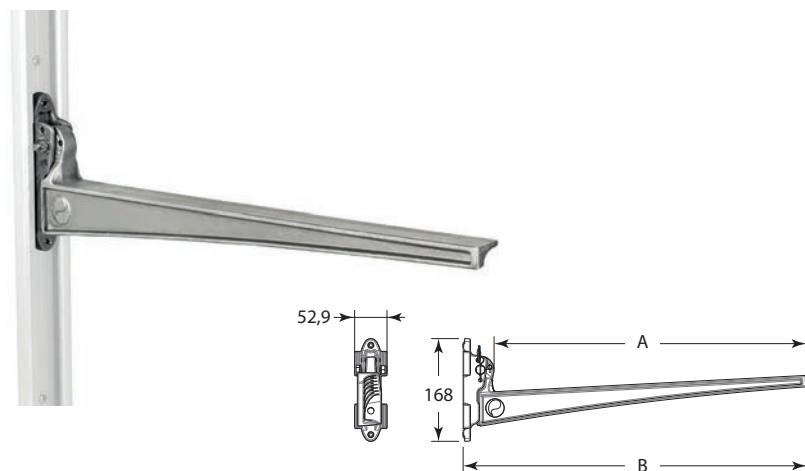
| Nr katalog.<br>Reference | Kg    | Długość<br>Length |
|--------------------------|-------|-------------------|
| 3110213                  | 0,255 | 5000              |

WSPORNIK PÓŁEK - *SHELF BRACKETS*



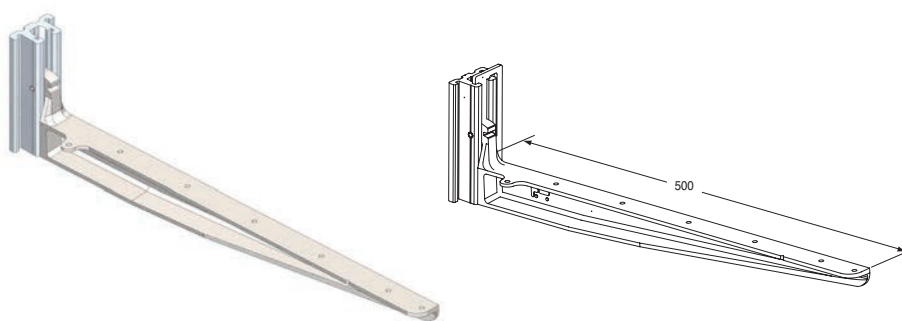
Ramię półki regulowane z możliwością zamknięcia w dowolnej pozycji.  
*Lockable aluminium multiposition shelf bracket.*

| Nr katalog.<br><i>Reference</i> | /Kg  | A   | B   |
|---------------------------------|------|-----|-----|
| 3744470                         | 0,80 | 421 | 470 |
| 3744472                         | 0,85 | 510 | 561 |
| 3744474                         | 0,90 | 599 | 648 |



Ramię półki regulowane bez możliwości zamknięcia.  
*Non-lockable aluminium multiposition shelf bracket.*

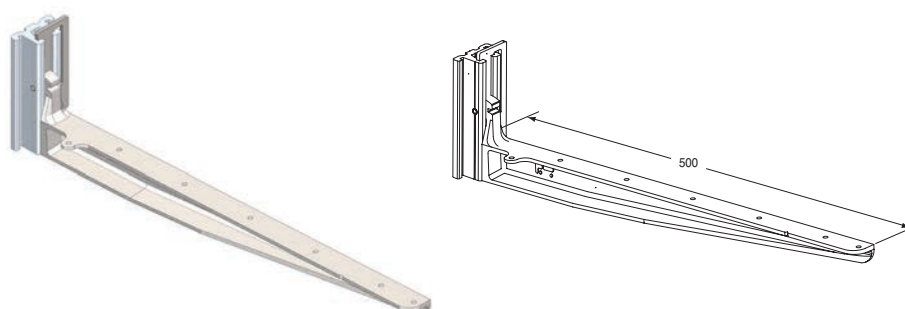
| Nr katalog.<br><i>Reference</i> | /Kg   | A   | B   |
|---------------------------------|-------|-----|-----|
| 3744470SB                       | 0,785 | 421 | 470 |
| 3744472SB                       | 0,835 | 510 | 561 |
| 3744474SB                       | 0,885 | 599 | 648 |



Wysięgnik kątowy półki, bez blokady, wierzony, aluminium lakierowane.  
*Painted aluminium shelving arm, predrilled, no locking catch.*

| Nr katalog.<br><i>Reference</i> | /Kg  |
|---------------------------------|------|
| 3744490                         | 0,76 |

18

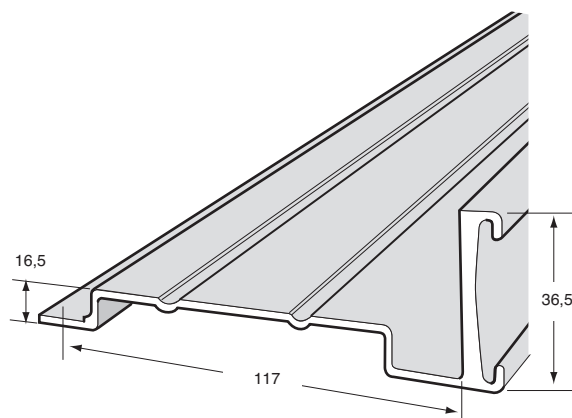


Wysięgnik kątowy półki, z blokadą, wierzony, aluminium lakierowane.  
*Painted aluminium shelving arm, predrilled, with locking catch.*

| Nr katalog.<br><i>Reference</i> | /Kg  |
|---------------------------------|------|
| 3744491                         | 0,84 |

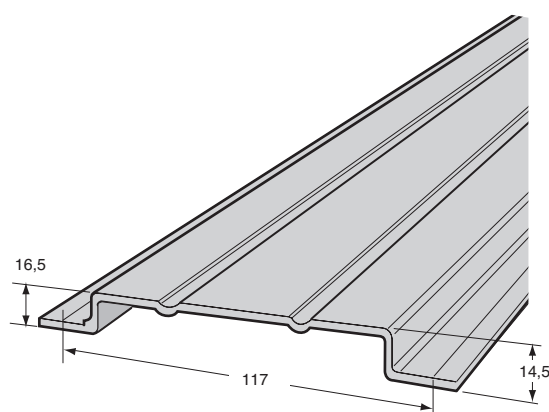


**PROFILE NA PÓŁKI REGAŁÓW - SHELF PROFILES**



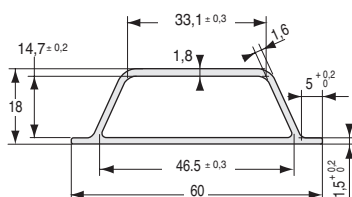
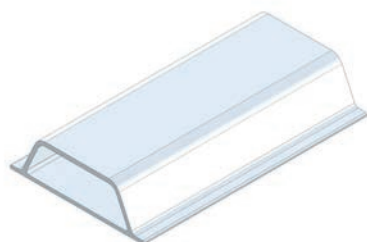
Profil na półki regałów, aluminium anodowane.  
*Anodized aluminium shelf end profile.*

| Nr katalog.<br><i>Reference</i> | Długość<br><i>Length</i> |
|---------------------------------|--------------------------|
| 3744605GM                       | 4250                     |
| 3744605MM                       | 3100                     |



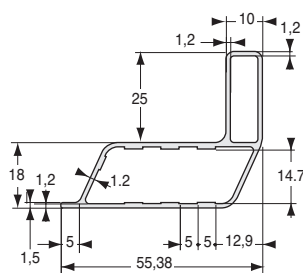
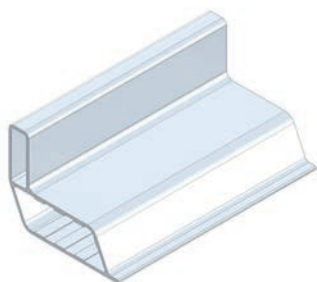
Profil na półki regałów, aluminium anodowane.  
*Anodized aluminium shelf profile.*

| Nr katalog.<br><i>Reference</i> | Długość<br><i>Length</i> |
|---------------------------------|--------------------------|
| 3744604GM                       | 4250                     |
| 3744604MM                       | 3100                     |



Profil podłużnicy półki, prosty, aluminium anodowane.  
*Anodized aluminium standard shelf profile.*

| Nr katalog.<br><i>Reference</i> | Długość<br><i>Length</i> |
|---------------------------------|--------------------------|
| 3744492                         | 4250                     |



Profil podłużnicy półki, wywinięty, aluminium anodowane.  
*Anodized aluminium front shelf profile.*

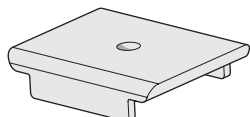
| Nr katalog.<br><i>Reference</i> | Długość<br><i>Length</i> |
|---------------------------------|--------------------------|
| 3744493                         | 4250                     |

AKCESORIA - ACCESSORIES



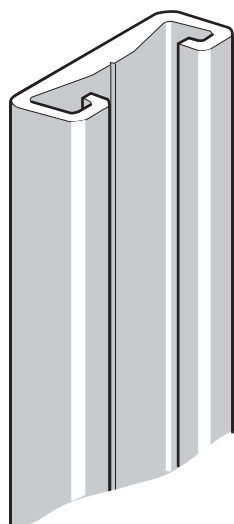
Płytki ustalająca.  
*Fixing piece.*

| Nr katalog.<br><i>Reference</i> | <i>Kg</i> | Dla<br><i>For</i>             |
|---------------------------------|-----------|-------------------------------|
| 3744481                         | 0,005     | 3744470<br>3744472<br>3744474 |



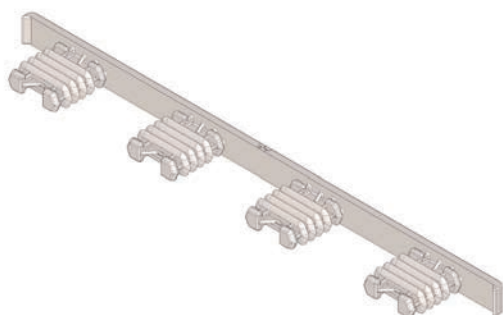
Nakładka blokady podłużnicy półki, tworzywo szare.  
*Grey plastic fixing piece.*

| Nr katalog.<br><i>Reference</i> | <i>Kg</i> | Dla<br><i>For</i>  |
|---------------------------------|-----------|--------------------|
| 3744494                         | 0,005     | 3744490<br>3744491 |



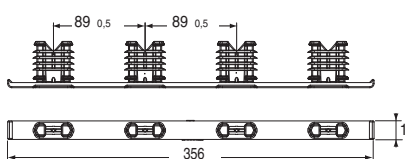
Szyna aluminium anodowane.  
*Anodized aluminium channel.*

| Nr katalog.<br><i>Reference</i> | Długość<br><i>Length</i> |
|---------------------------------|--------------------------|
| 3744597AN                       | 5000                     |



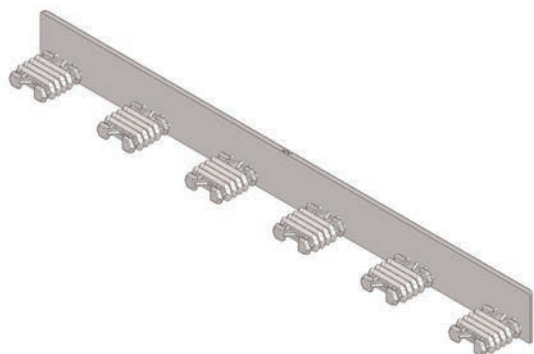
Końcówka podłużnicy półki, krótka, tworzywo szare.  
*Grey plastic end cap, short.*

| Nr katalog.<br><i>Reference</i> | <i>Kg</i> |
|---------------------------------|-----------|
| 3744496                         | 0,065     |

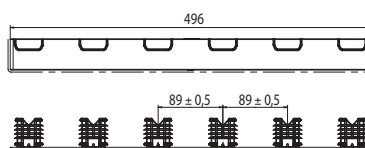


**AKCESORIA - ACCESSORIES**

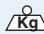
Końcówka podłużnicy półki, długa, tworzywo szare.  
*Grey plastic end cap, high.*



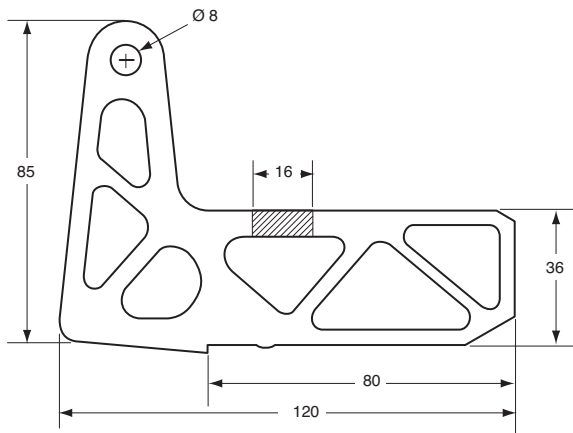
| Nr katalog.<br>Reference |  |
|--------------------------|---|
| 3744495                  | 0,153   |




Zestaw do regulacji pochylenia.  
*Tilt adjustment kit.*

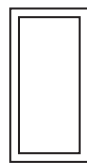
| Nr katalog.<br>Reference |  | Dla<br>For   |
|--------------------------|---|--|
| 3744483                  | 0,015   | 3744470<br>3744470SB<br>3744472<br>3744472SB<br>3744474<br>3744474SB |

AKCESORIA - ACCESSORIES



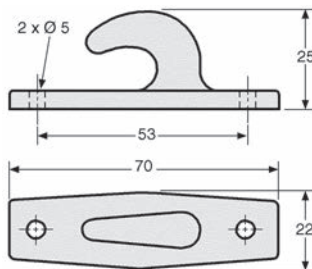
Wysięgnik aluminiowy surowy.  
Self colour aluminium bracket.

| Nr katalog.<br>Reference |  |
|--------------------------|---|
| 3744592SU                | 0,13  |



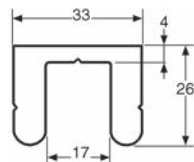
Rura aluminiowa surowa 40 x 20 x 2.  
Self colour aluminium tube 40 x 20 x 2.

| Nr katalog.<br>Reference | Długość<br>Length |
|--------------------------|-------------------|
| 3744591BR                | 3000              |



Hak plastikowy szary.  
Grey plastic hook.

| Nr katalog.<br>Reference |  |
|--------------------------|---|
| 3744591CR                | 0,015   |



Wspornik aluminiowy surowy, nieodwiercony.  
Self colour aluminium support, not drilled.

| Nr katalog.<br>Reference | Długość<br>Length |
|--------------------------|-------------------|
| 3744590                  | 4200              |

**AKCESORIA - ACCESSORIES**




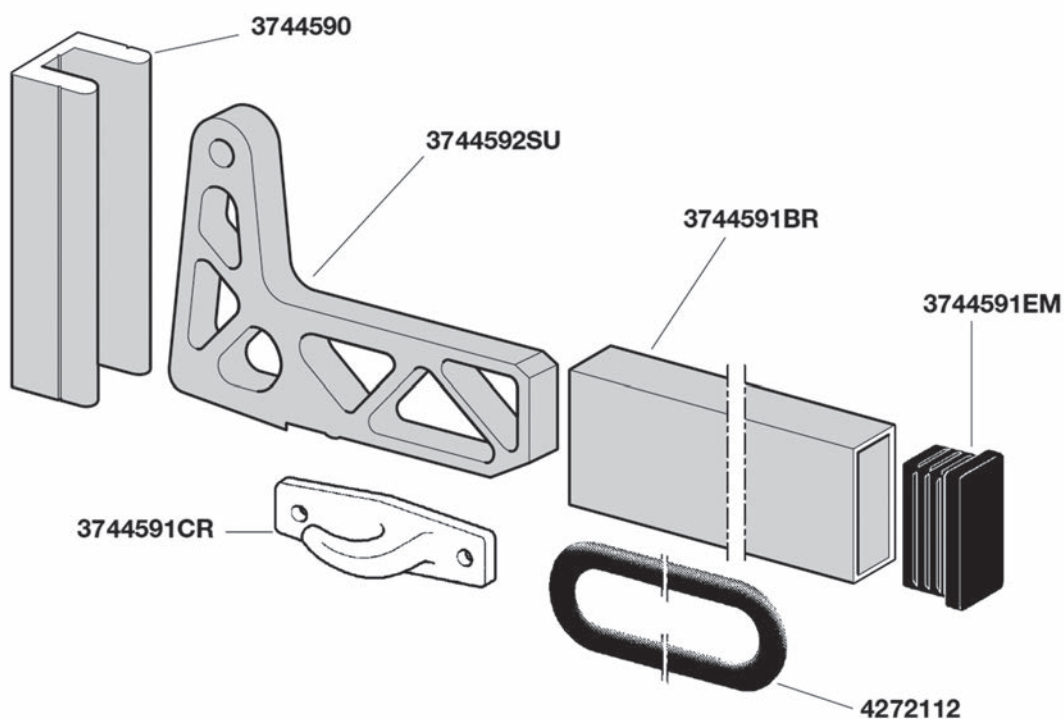
Pierścień gumowy Ø 8.  
*Rubber ring Ø 8.*

| Nr katalog.<br><i>Reference</i> |  Kg | Ø |
|---------------------------------|--|---|
| 4272112                         | 0,025  | 8 |



Końcówka plastikowa do rury 40 x 20 x 2.  
*Plastic cap for tube 40 x 20 x 2.*

| Nr katalog.<br><i>Reference</i> |  Kg |
|---------------------------------|--|
| 3744591EM                       | 0,01   |





# WSPOMAGANIE PRZY PODNOSZENIU

Sprężyny, podnośniki

## LIFTING AND SLIDING SYSTEMS

Gas springs, raising systems







**JAK DOBIERAĆ SPRĘŻYNĘ GAZOWĄ - GAS SPRING SELECTION CALCULATION**

Znając:

- ciężar kłapy X w kilogramach;
- długość kłapy w metrach;
- odległość Z (w metrach) między punktem zaczepienia sprężyny gazowej do kłapy a osią obrotu kłapy;
- ilość niezbędnych sprężyn gazowych N;
- określamy siłę sprężyny gazowej stosując następujący wzór:

$$P = \frac{X \times 10 \times Y + 50}{2 \times N \times Z} = \text{Zylinderdruck in N (Newton)}$$

Cyfra 5 oznacza siłę 5 kg/p stałą odpowiadającą oddziaływaniu tarcia.

Przykład obliczeniowy:

- mamy kłapę o następujących danych:

- ciężar 50 kg.
- długość Y: 1,50 m.,
- odległość Z: 0,25 m.,
- ilość N: 2.

Zastosowanie wzoru jest następujące::

$$\frac{500 \times 1,5}{2 \times 2 \times 0,25} + 50 = 800 \text{ N}$$

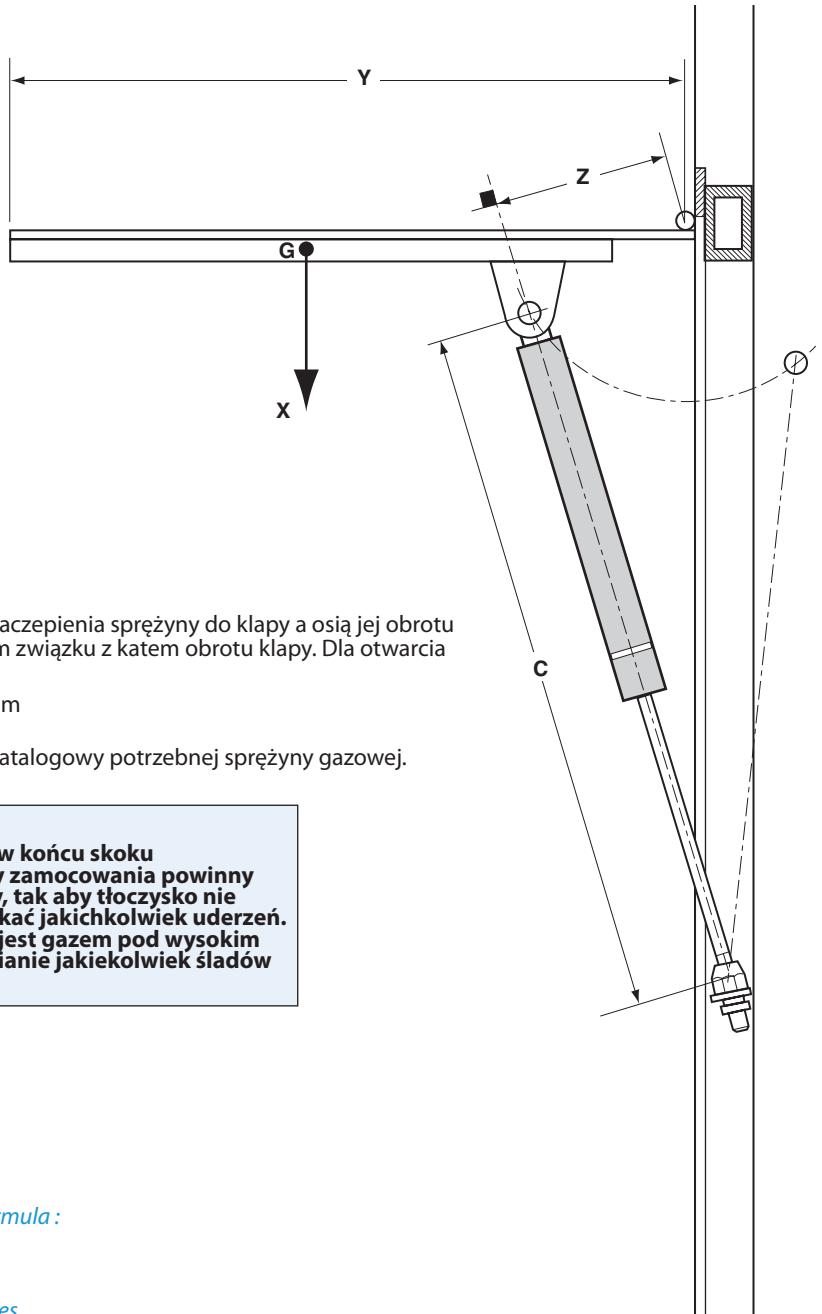
Należy zastosować dwie 800 N sprężyny gazowe.

Następnie dobieramy dane wymiarowe sprężyny:

średnice i skok w zależności od odległości między punktem zaczepienia sprężyny do kłapy a osią jej obrotu na stojaku. Skok sprężyny gazowej pozostaje w bezpośrednim związku z kątem obrotu kłapy. Dla otwarcia kłapy pod kątem 90° wybieramy na ogół:

$$\frac{\text{Skok siłownika}}{Z} = \frac{1}{0,8}, \quad \text{Skok siłownika} = \frac{0,25}{0,8} = 0,312 \text{ m}$$

Po określeniu powyższych danych odnajdujemy w tabeli nr katalogowy potrzebnej sprężyny gazowej.


**NAJWAŻNIEJSZE ZALECENIA**

Sprężynę gazową zamontować tłoczyskiem do dołu aby w końcu skoku wykorzystać działanie hydraulicznej amortyzacji. Punkty zamocowania powinny znaleźć się w jednej linii i muszą występować pewne luzy, tak aby tłoczysko nie zostało poddane naprężeniom poprzecznym. Należy unikać jakichkolwiek uderzeń. Sprężyny nie wolno demontować, ponieważ napełniana jest gazem pod wysokim ciśnieniem. Na tłoczysku niedopuszczalne jest pozostawianie jakiegokolwiek śladów farby, gdyż mogą one wywołać wycieki oleju.

Determine :

- tailboard X in kilogrammes;
- tailboard length Y in meters;
- distance Z (in meters) between strut pin on tailboard and tailboard hinge pin;
- quantity of necessary struts Nb;

To determine the required capacity of strut, use the following formula :

$$P = \frac{X \times 10 \times Y + 50}{2 \times N \times Z} = \text{strength in N (Newton)}$$

Number 50 used in example below corresponds to frictional losses.

Calculation example :

- tailboard :
  - . length Y : 1,50 m,
  - . distance Z : 0,25 m,
  - . strut quantity Nb : 2.

The formula is used as follows :

$$\frac{500 \times 1,5}{2 \times 2 \times 0,25} + 50 = 800 \text{ N}$$

Therefore two struts of 800 N capacity each must be used, now overall dimensions of strut must be selected together with the piston stroke. This selection is made according to the requested distance between strut pin on tailboard and anchor point. Strut stroke is directly related to tailboard opening angle. For a 90° opening angle, the following stroke is generally selected :

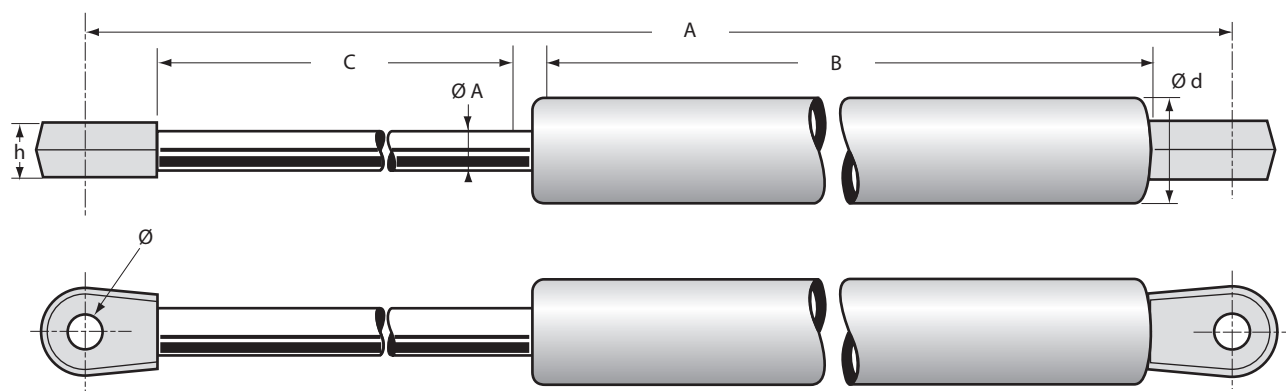
$$\frac{\text{Strut stroke}}{Z} = \frac{1}{0,8}, \quad \text{that's strut stroke} = \frac{0,25}{0,8} = 0,312 \text{ m}$$

Having determined the various characteristics of the strut, refer to table to select corresponding part number.

**IMPORTANT NOTICE**

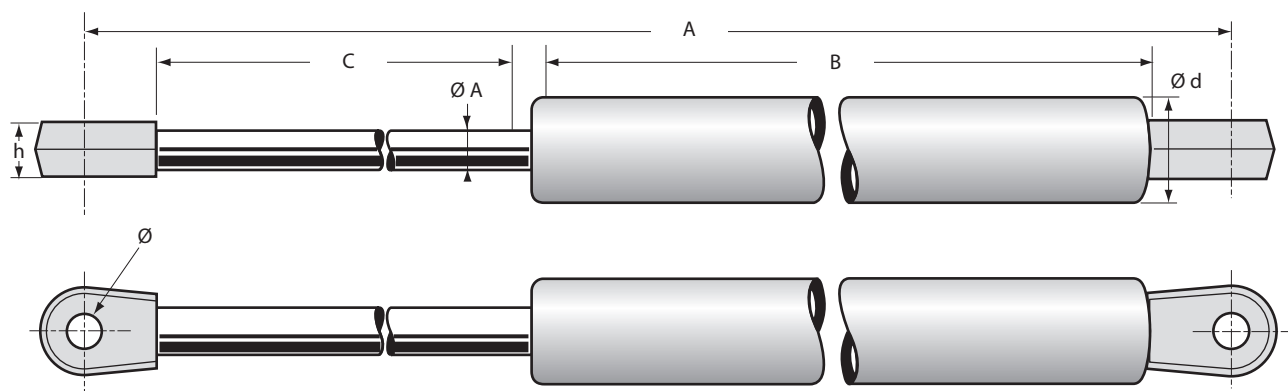
To obtain a feathering action at end of stroke, install strut with rod at end.  
 Securing points must be in line to avoid lateral stresses.  
 Avoid misuse.  
 Never attempt to dismantle : Gas under pressure.  
 Never coat strut piston with paint to avoid gas leaks.

**SPRĘŻYNA GAZOWA - GAS SPRING**



Sprężyna gazowa z końcówkami przykręconymi.  
*Gas spring with screwed end fitting.*

| Nr katalog.<br>Reference | $\frac{Q}{Kg}$ | Sita<br>Trust force | C   | ØA | A             | Ød   | B   | h  | Ø   |
|--------------------------|----------------|---------------------|-----|----|---------------|------|-----|----|-----|
| 2043912A                 | 0,082          | 50                  | 80  | 6  | 173 - 253     | 15   | 113 | 5  | 6,1 |
| 2043912B                 | 0,082          | 100                 | 80  | 6  | 173 - 253     | 15   | 113 | 5  | 6,1 |
| 2043912D                 | 0,082          | 200                 | 80  | 6  | 173 - 253     | 15   | 113 | 5  | 6,1 |
| 2043913D                 | 0,229          | 200                 | 160 | 8  | 263 - 423     | 18.5 | 203 | 5  | 6,1 |
| 2043913F                 | 0,229          | 300                 | 160 | 8  | 263 - 423     | 18.5 | 203 | 5  | 6,1 |
| 2043913H                 | 0,229          | 400                 | 160 | 8  | 263 - 423     | 18.5 | 203 | 5  | 6,1 |
| 2043914C                 | 0,330          | 150                 | 250 | 8  | 353,5 - 603,5 | 18.5 | 294 | 5  | 8,1 |
| 2043914D                 | 0,330          | 200                 | 250 | 8  | 353,5 - 603,5 | 18.5 | 294 | 5  | 8,1 |
| 2043914H                 | 0,330          | 400                 | 250 | 8  | 353,5 - 603,5 | 18.5 | 294 | 5  | 8,1 |
| 2043914K                 | 0,330          | 600                 | 250 | 8  | 353,5 - 603,5 | 18.5 | 294 | 5  | 8,1 |
| 2043915F                 | 0,313          | 300                 | 98  | 10 | 182 - 280     | 22   | 148 | 12 | 8,1 |
| 2043915G                 | 0,313          | 350                 | 98  | 10 | 182 - 280     | 22   | 148 | 12 | 8,1 |
| 2043915J                 | 0,313          | 500                 | 98  | 10 | 182 - 280     | 22   | 148 | 12 | 8,1 |
| 2043916J                 | 0,320          | 500                 | 148 | 10 | 232 - 380     | 22   | 198 | 12 | 8,1 |
| 2043916PI                | 0,320          | 1000                | 148 | 10 | 232 - 380     | 22   | 198 | 12 | 8,1 |
| 2043921PI                | 0,650          | 1000                | 198 | 14 | 302 - 500     | 28   | 268 | 12 | 8,1 |
| 2043921TI                | 0,650          | 1300                | 198 | 14 | 302 - 500     | 28   | 268 | 12 | 8,1 |
| 2043921WI                | 0,650          | 2000                | 198 | 14 | 302 - 500     | 28   | 268 | 12 | 8,1 |
| 2043922D                 | 0,510          | 200                 | 298 | 10 | 402 - 700     | 22   | 368 | 12 | 8,1 |
| 2043922F                 | 0,510          | 300                 | 298 | 10 | 402 - 700     | 22   | 368 | 12 | 8,1 |
| 2043922H                 | 0,510          | 400                 | 298 | 10 | 402 - 700     | 22   | 368 | 12 | 8,1 |
| 2043922JI                | 0,868          | 550                 | 298 | 14 | 402 - 700     | 28   | 368 | 12 | 8,1 |
| 2043922PI                | 0,868          | 1000                | 298 | 14 | 402 - 700     | 28   | 368 | 12 | 8,1 |
| 2043922SI                | 0,868          | 1200                | 298 | 14 | 402 - 700     | 28   | 368 | 12 | 8,1 |
| 2043922VI                | 0,868          | 1500                | 298 | 14 | 402 - 700     | 28   | 368 | 12 | 8,1 |
| 2043922WI                | 0,868          | 2000                | 298 | 14 | 402 - 700     | 28   | 368 | 12 | 8,1 |
| 2043923F                 | 0,503          | 300                 | 248 | 10 | 352 - 600     | 22   | 318 | 12 | 8,1 |
| 2043923J                 | 0,503          | 500                 | 248 | 10 | 352 - 600     | 22   | 318 | 12 | 8,1 |
| 2043923PI                | 0,765          | 1000                | 248 | 14 | 352 - 600     | 28   | 318 | 12 | 8,1 |
| 2043923TI                | 0,765          | 1300                | 248 | 14 | 352 - 600     | 28   | 318 | 12 | 8,1 |

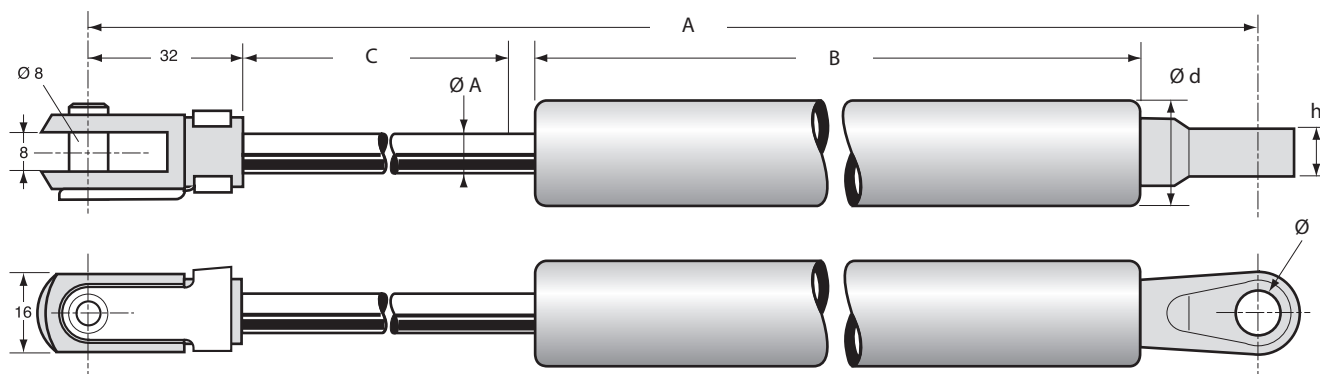
**SPRĘŻYNA GAZOWA - GAS SPRING**


Sprężyna gazowa z końcówkami przykręconymi.

*Gas spring with screwed end fitting.*

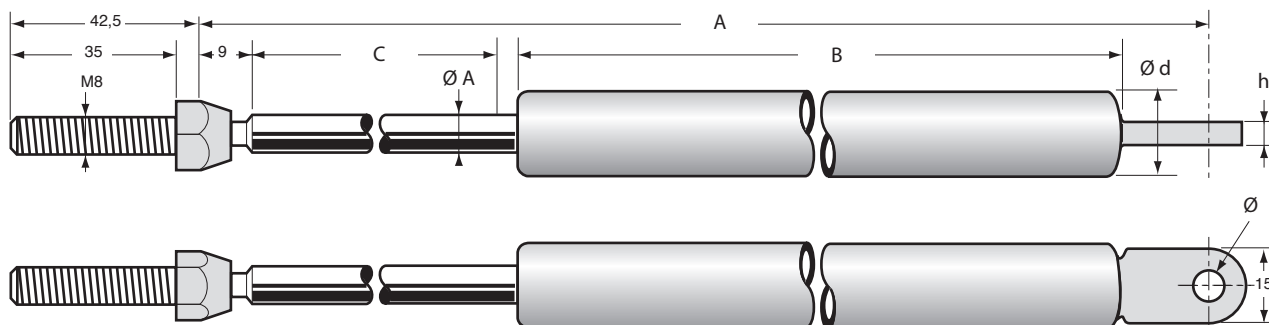
| Nr katalog.<br>Reference | $\frac{kg}{kg}$ | Sila<br>Trust force | C   | ØA | A         | Ød   | B   | h  | Ø   |
|--------------------------|-----------------|---------------------|-----|----|-----------|------|-----|----|-----|
| 2043924D                 | 0,650           | 200                 | 348 | 10 | 452 - 800 | 22   | 418 | 12 | 8,1 |
| 2043924F                 | 0,650           | 300                 | 348 | 10 | 452 - 800 | 22   | 418 | 12 | 8,1 |
| 2043924H                 | 0,650           | 400                 | 348 | 10 | 452 - 800 | 22   | 418 | 12 | 8,1 |
| 2043924J                 | 0,650           | 500                 | 348 | 10 | 452 - 800 | 22   | 418 | 12 | 8,1 |
| 2043924MI                | 0,966           | 800                 | 348 | 14 | 452 - 800 | 28   | 418 | 12 | 8,1 |
| 2043924PI                | 0,966           | 1000                | 348 | 14 | 452 - 800 | 28   | 418 | 12 | 8,1 |
| 2043924TI                | 0,966           | 1300                | 348 | 14 | 452 - 800 | 28   | 418 | 12 | 8,1 |
| 2043924VI                | 0,966           | 1500                | 348 | 14 | 452 - 800 | 28   | 418 | 12 | 8,1 |
| 2043920E                 | 0,277           | 250                 | 195 | 8  | 296 - 491 | 18,5 | 235 | 5  | 6,1 |
| 2043918F                 | 0,181           | 300                 | 85  | 8  | 189 - 274 | 18,5 | 128 | 5  | 6,1 |
| 2043920G                 | 0,277           | 350                 | 195 | 8  | 296 - 491 | 18,5 | 235 | 5  | 6,1 |
| 2043918H                 | 0,181           | 400                 | 85  | 8  | 189 - 274 | 18,5 | 128 | 5  | 6,1 |
| 2043920I                 | 0,277           | 450                 | 195 | 8  | 296 - 491 | 18,5 | 235 | 5  | 6,1 |
| 2043918J                 | 0,181           | 500                 | 85  | 8  | 189 - 274 | 18,5 | 128 | 5  | 6,1 |
| 2043920J                 | 0,277           | 550                 | 195 | 8  | 296 - 491 | 18,5 | 235 | 5  | 6,1 |
| 2043918K                 | 0,181           | 600                 | 85  | 8  | 189 - 274 | 18,5 | 128 | 5  | 8,1 |
| 2043922J                 | 0,510           | 550                 | 298 | 10 | 402 - 700 | 22   | 368 | 12 | 8,1 |
| 2043921K                 | 0,430           | 600                 | 210 | 10 | 290 - 500 | 22   | 253 | 12 | 8,1 |
| 2043921M                 | 0,430           | 800                 | 210 | 10 | 290 - 500 | 22   | 253 | 12 | 8,1 |
| 2043922M                 | 0,510           | 800                 | 298 | 10 | 402 - 700 | 22   | 368 | 12 | 8,1 |
| 2043923M                 | 0,503           | 800                 | 248 | 10 | 352 - 600 | 22   | 318 | 12 | 8,1 |
| 2043924M                 | 0,650           | 800                 | 348 | 10 | 452 - 800 | 22   | 418 | 12 | 8,1 |
| 2043921P                 | 0,430           | 1000                | 210 | 10 | 290 - 500 | 22   | 253 | 12 | 8,1 |
| 2043922P                 | 0,510           | 1000                | 298 | 10 | 402 - 700 | 22   | 368 | 12 | 8,1 |
| 2043923P                 | 0,503           | 1000                | 248 | 10 | 352 - 600 | 22   | 318 | 12 | 8,1 |
| 2043924P                 | 0,650           | 1000                | 348 | 10 | 452 - 800 | 28   | 418 | 12 | 8,1 |
| 2043922S                 | 0,510           | 1200                | 298 | 10 | 402 - 700 | 22   | 368 | 12 | 8,1 |

**SPRĘŻYNA GAZOWA - GAS SPRING**



Sprężyna gazowa.  
Gas spring.

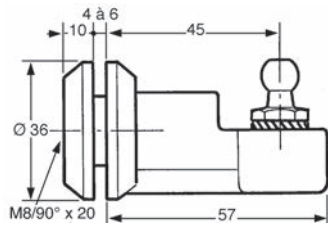
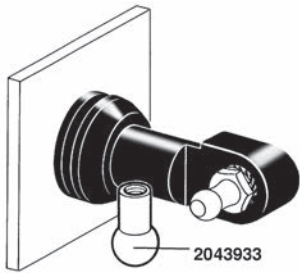
| Nr katalog.<br>Reference | $\frac{Kg}{\Delta}$ | Sita<br>Trust force | C  | $\varnothing A$ | A         | $\varnothing d$ | B   | h  | $\varnothing$ |
|--------------------------|---------------------|---------------------|----|-----------------|-----------|-----------------|-----|----|---------------|
| 2043917F                 | 0,313               | 300                 | 98 | 10              | 182 - 280 | 22              | 148 | 12 | 8,1           |
| 2043917G                 | 0,313               | 350                 | 98 | 10              | 182 - 280 | 22              | 148 | 12 | 8,1           |
| 2043917J                 | 0,313               | 500                 | 98 | 10              | 182 - 280 | 22              | 148 | 12 | 8,1           |



Sprężyna gazowa, końcówka gwintowana.  
Gas spring with threaded end fitting.

| Nr katalog.<br>Reference | $\frac{Kg}{\Delta}$ | Sita<br>Trust force | C   | $\varnothing A$ | A             | $\varnothing d$ | B   | h | $\varnothing$ |
|--------------------------|---------------------|---------------------|-----|-----------------|---------------|-----------------|-----|---|---------------|
| 2043919D                 | 0,257               | 200                 | 150 | 8               | 228,5 - 378,5 | 18,5            | 201 | 5 | 6,1           |
| 2043919F                 | 0,257               | 300                 | 150 | 8               | 228,5 - 378,5 | 18,5            | 201 | 5 | 6,1           |
| 2043919H                 | 0,257               | 400                 | 150 | 8               | 228,5 - 378,5 | 18,5            | 201 | 5 | 6,1           |

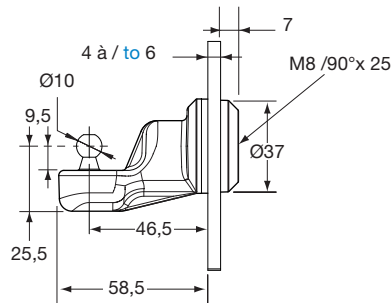
**WSPORNIKI DO SPRĘŻYN I KOŃCÓWKI - BRACKETS FOR GAS SPRINGS AND END FITTINGS**



Zespół wspornik, szary poliamid wzmocniony włóknem szklanym.

*Black glassfibre polyamide bracket*

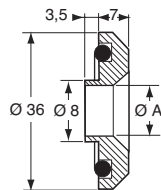
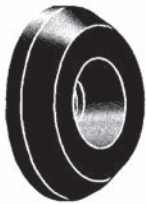
| Nr katalog.<br>Reference | $\frac{\text{Kg}}{\text{m}}$ |
|--------------------------|------------------------------|
| 2043932                  | 0,07                         |



Zespół wspornik, szary poliamid wzmocniony włóknem szklanym.

*Black glassfibre polyamide bracket.*

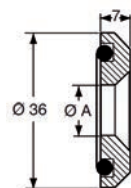
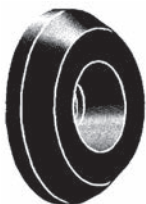
| Nr katalog.<br>Reference | $\frac{\text{Kg}}{\text{m}}$ |
|--------------------------|------------------------------|
| 2043938                  | 0,065                        |



Podstawa z tworzywa, czarna dla śruby  $\varnothing A = M6/F90^\circ$ .

*Black plastic base with shoulder for  $\varnothing A = M6/F90^\circ$  screw.*

| Nr katalog.<br>Reference | $\frac{\text{Kg}}{\text{m}}$ | Dla<br>For                     |
|--------------------------|------------------------------|--------------------------------|
| 2043935                  | 0,008                        | $\varnothing A = M6/F90^\circ$ |



Podstawa z tworzywa czarna.

*Black plastic base.*

| Nr katalog.<br>Reference | $\frac{\text{Kg}}{\text{m}}$ | Dla<br>For                     |
|--------------------------|------------------------------|--------------------------------|
| 2043932SO                | 0,006                        | $\varnothing A = M8/F90^\circ$ |
| 2043934                  | 0,006                        | $\varnothing A = M6/F90^\circ$ |

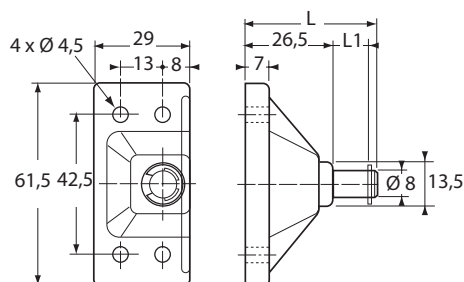


Końcówka z przegubem kulowym, wiercona  $\varnothing 8,1$  dla sprężyn M8.

*End with  $\varnothing 8,1$  hole for gas spring with M8 threading.*

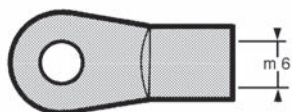
| Nr katalog.<br>Reference | $\frac{\text{Kg}}{\text{m}}$ |
|--------------------------|------------------------------|
| 2043933                  | 0,015                        |

WSPORNIKI DO SPRĘŻYN I KOŃCÓWKI - *BRACKETS FOR GAS SPRINGS AND END FITTINGS*



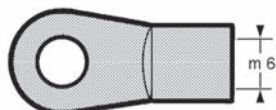
Wspornik odsadzony do sprężyny gazowej, z tworzywa.  
*Offset plastic bracket for gas spring.*

| Nr katalog.<br>Reference | $\triangle$<br>Kg | L<br>(mm) | Dla<br>For                               |
|--------------------------|-------------------|-----------|--|
| 2043936                  | 0,04              | 40x11     | 2043914H<br>2043914K                     |
| 2043937                  | 0,04              | 48x19     | 2043921<br>2043922<br>2043923<br>2043924 |



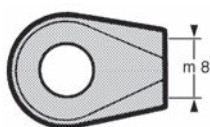
Końcówka wiercona Ø 6,1 dla sprężyn M6.  
*End with Ø 6,1 hole for gas spring with M6 threading.*

| Nr katalog.<br>Reference | $\triangle$<br>Kg |
|--------------------------|-------------------|
| 2043927                  | 0,015             |



Końcówka, wiercona Ø 8,1 dla sprężyn M6.  
*End with Ø 8,1 hole, for gas spring with M6 threading.*

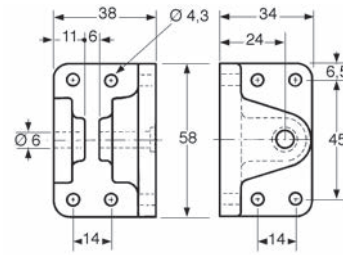
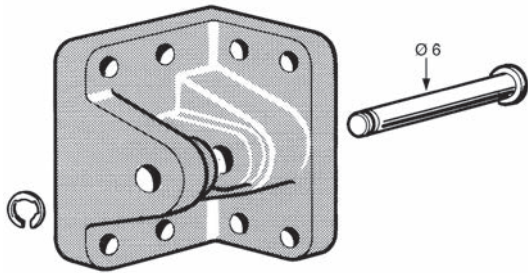
| Nr katalog.<br>Reference | $\triangle$<br>Kg |
|--------------------------|-------------------|
| 2043926                  | 0,015             |



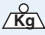
Końcówka, wiercona Ø 8,1 dla sprężyn M8.  
*End with Ø 8,1 hole for gas spring with M8 threading.*

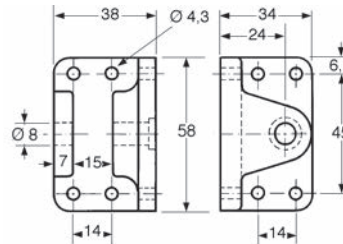
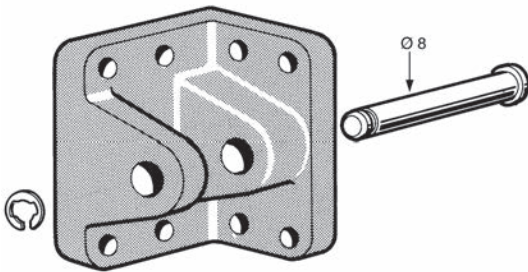
| Nr katalog.<br>Reference | $\triangle$<br>Kg |
|--------------------------|-------------------|
| 2043928                  | 0,015             |

**WSPORNIKI DO SPRĘŻYN I KOŃCÓWKI - BRACKETS FOR GAS SPRINGS AND END FITTINGS**




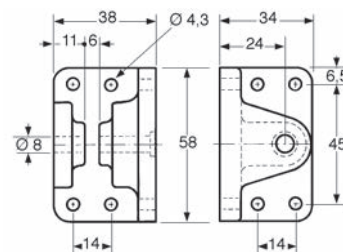
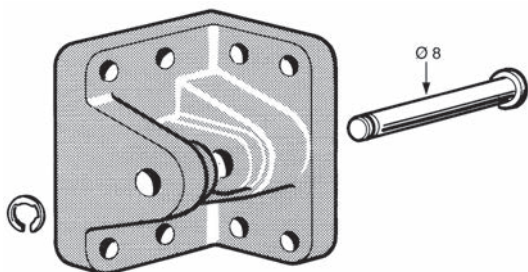
Wspornik z szarego poliamidu, wzmocnionego włóknem szklanym, z trzpieniem ze stali cynkowanej dla sprężyn  $\varnothing 6,1$  i grubości 5 mm.  
*Grey glassfibre polyamide bracket with zinc plated steel pin for bracket  $\varnothing 6,1$  and 5 mm thick.*

|                          |   |
|--------------------------|---|
| Nr katalog.<br>Reference |  |
| 2043930                  | 0,065   |




Wspornik z szarego poliamidu, wzmocnionego włóknem szklanym, z trzpieniem ze stali cynkowanej dla sprężyn  $\varnothing 8,1$  i grubości 12 mm.  
*Grey glassfibre polyamide bracket with zinc plated steel pin for bracket  $\varnothing 8,1$  and 12 mm thick.*

|                          |   |
|--------------------------|---|
| Nr katalog.<br>Reference |  |
| 2043929                  | 0,065   |

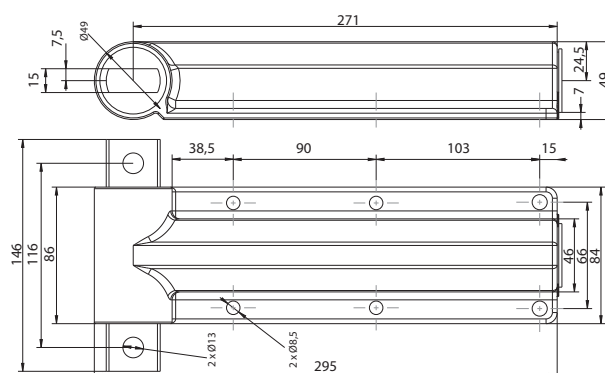


Wspornik z szarego poliamidu, wzmocnionego włóknem szklanym, z trzpieniem ze stali cynkowanej dla sprężyn  $\varnothing 8,1$  i grubości 5 mm.  
*Grey glassfibre polyamide bracket with zinc plated steel pin for bracket  $\varnothing 8,1$  and 5 mm thick.*

|                          |   |
|--------------------------|---|
| Nr katalog.<br>Reference |  |
| 2043931                  | 0,065   |

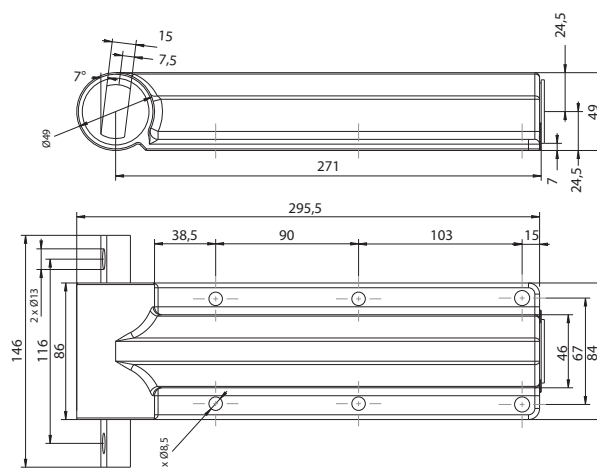
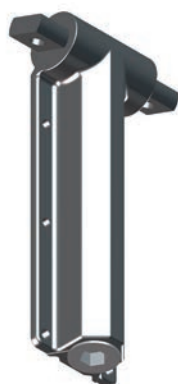


MECHANIZMY UNOSZENIA I PRZESUWU LIFT UP - LIFT UP ELEVATORS



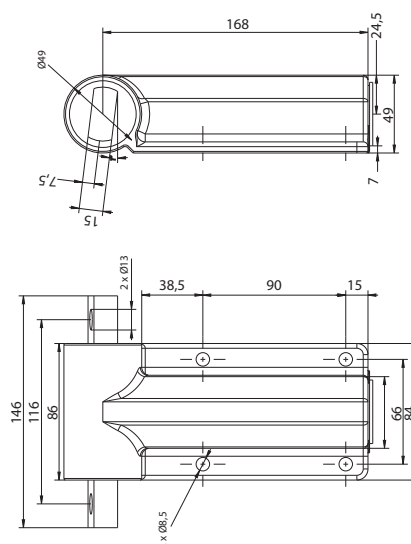
Zawias „Lift Up” 360, jednostronny, z momentem tłumienia do 13 daNm.  
*Lift Up raising system 360, single acting, lifting torque 13 daN.m for opening down closures.*

| Nr katalog.<br>Reference | Kg   |
|--------------------------|------|
| 0844905                  | 4,65 |



Zawias „Lift Up” 360 o dwustronnym działaniu, z momentem tłumienia do 14 daNm, do klap uchylnych.  
*Lift Up raising system, double acting, lifting torque 14 daN.m for opening up closures.*

| Nr katalog.<br>Reference | Kg   |
|--------------------------|------|
| 0844906                  | 4,65 |

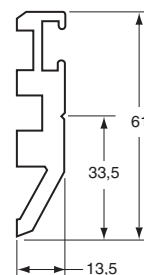
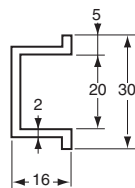


Zawias „Lift Up” 180 o dwustronnym działaniu, z momentem tłumienia do 10 daNm.  
*Lift Up raising system, double action, lifting torque 10 daN.m for lifting up closures.*

| Nr katalog.<br>Reference | Kg   |
|--------------------------|------|
| 0844907                  | 3,25 |

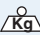


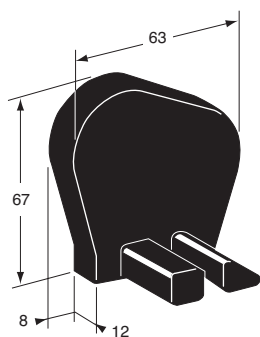
**MECHANIZMY UNOSZENIA I PRZESUWU LIFT UP - LIFT UP ELEVATORS**




Zestaw profiliów do montażu: połączenie drzwi, aluminium anodowane 2,50 m, rama tylna 2,60 m, uszczelka 2,60 m.

*Mounting accessories : door profile anodised aluminium 2,50 m, rear frame 2,60 m, gasket 2,60 m.*

| Nr katalog.<br>Reference |  |
|--------------------------|---|
| 0844903PR                | 7   |



Nakładka wykańczająca, czarne tworzywo.  
*End cap, black plastic, right side.*

| Nr katalog.<br>Reference |  | Strona<br>Hand |
|--------------------------|---|----------------|
| 0844903ED                | 0,035   | Prawa<br>Right |
| 0844903EG                | 0,035   | Lewa<br>Left   |


Zestaw kompletny Lift Up typu 180, zawiera: 2x0844906, 1x0844903ED, 1x0844903EG, 1x0844903PR.

*Complete Lift Up kit, type 180, contain : 2x0844906, 1x0844903ED, 1x0844903EG, 1x0844903PR.*

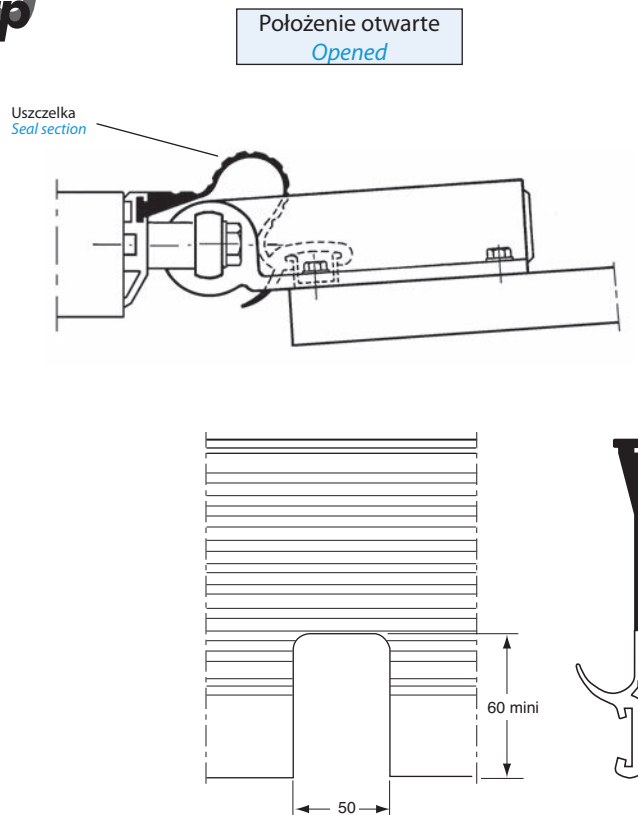
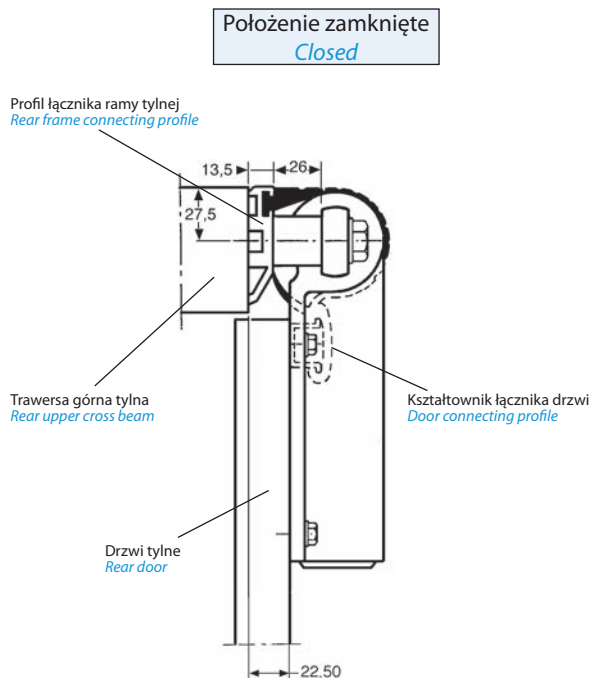
| Nr katalog.<br>Reference |  |
|--------------------------|---|
| 0844903                  | 14,85   |

Zestaw kompletny Lift Up typu 360, zawiera: 2x0844907, 1x0844903ED, 1x0844903EG, 1x0844903PR.

*Complete Lift Up kit, type 360, contain : 2x0844907, 1x0844903ED, 1x0844903EG, 1x0844903PR.*

| Nr katalog.<br>Reference |  |
|--------------------------|---|
| 0844904                  | 17,85   |

**KOMPENSATORY DO POMOSTÓW - RAMP SPRINGS**



Wycięcie dla korpusu zawiasu  
*Punching for the raise way*

Wzór ogólny:  $P = \frac{G \times H}{2} + M_1 + \dots$   
*General formula*

G = Ciężar drzwi w kilogramach (kg)  
*G = weight of the door in kilogrammes*

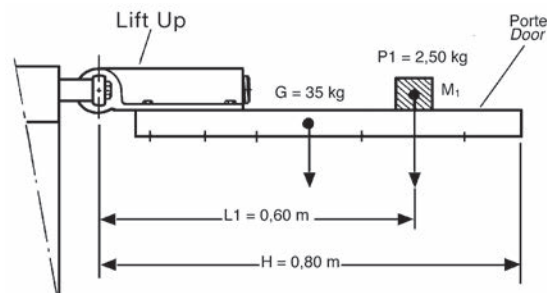
H = wysokość drzwi w metrach (m)  
*H = height of the door in meters*

$M_1 = P_1 \times L_1$

Przykład liczbowy:  
*Numerical application:*

$$P = \frac{35 \times 0,80}{2} + (2,50 \times 0,60)$$

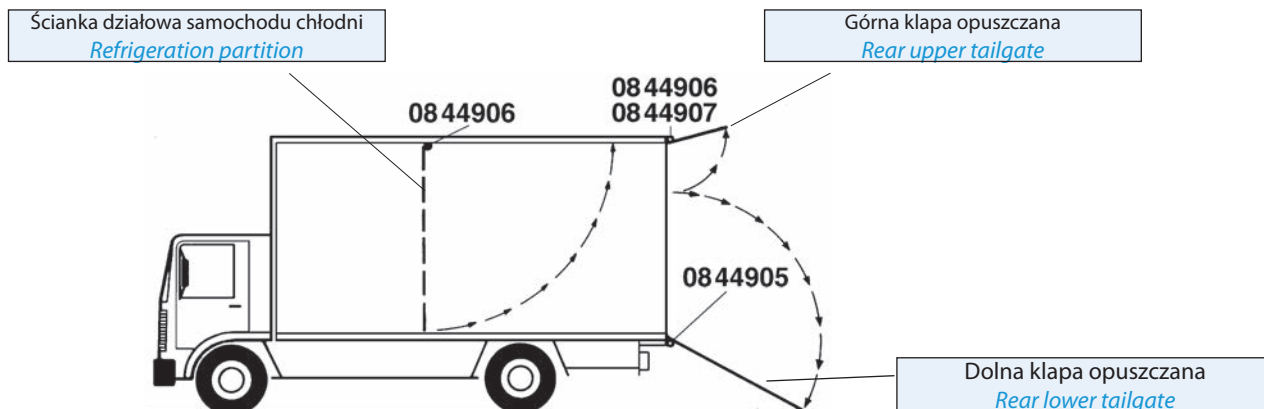
**P = 15,50 daN.m**



**Wynik:** W tym przykładzie należy zastosować 2 dwustronne zawiasy „Lift Up” 180 **0844907**.

**Conclusion:** for this application, 2 Lift Up 180, double action, **0844907**, should be used.

19



## KOMPENSATOR POMOSTU - RAMP SPRINGS

### MONTAŻ

1. Zamocować ramię podnośnika w dolnej części podnoszonych drzwi.

2. Włożyć śrubę służącą za oś popychacza.

Korpus podnośnika umieścić w taki sposób, aby widełki przegubu dotykały trawersy, do której mają być przymocowane swym środkiem.

Ścisnąć lekko sprężynę o około 15 mm (przy zamkniętych drzwiach), a następnie umocować widełki do trawersy przez spawanie lub śrubami.

**WAŻNE:** W celu prawidłowego działania podnośnika „IDEAL” należy usytuować jego korpus dokładnie równoległe do osi pojazdu, tak aby pozostawał stale prostopadły do drzwi. Trawersę, do której będą zamocowane widełki przegubu korpusu podnośnika, należy połączyć z trawersą tylną, aby uniknąć wyginania się pod wpływem działania sprężyny.

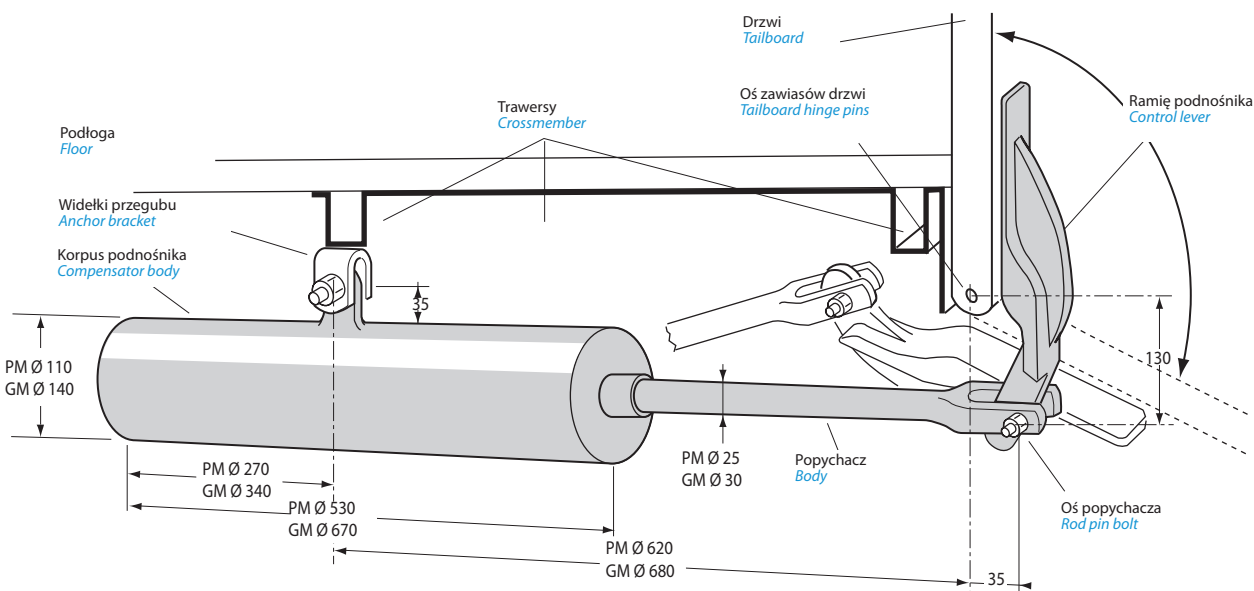
### INSTALLATION

1° Screw the control lever on the lower part of the tailboard.

2° Insert rod pin bolt.

Install the compensator body to fit the anchor bracket against the support member. Slightly compress spring 15 mm approx. (with door closed) and secur anchor bracket on support member (bolting or welding).

**IMPORTANT NOTICE :** for a proper operation of the «IDEAL» tailboard spring compensator, compensator body must be absolutely parallel with the compensator axis so that it always remains straight relative to the door. To avoid excessive stresses on the support member of the spring compensator it must be braced with the closing chassis member.

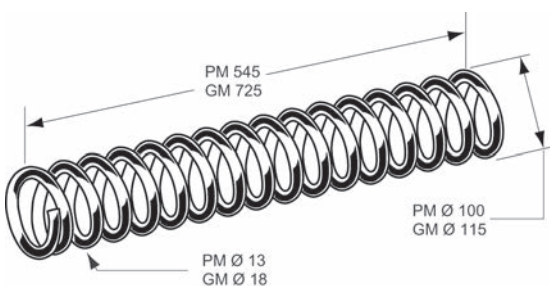


**0804489GM**  30

Duży kompensator pomostu. Maksymalny unoszony ciężar: 80 kg do 120 kg.  
Tailboard spring compensator (large size). Capacity: 80 kg to 120 kg.

**0804489PM**  18

Mały kompensator pomostu. Maksymalny unoszony ciężar: 80 kg.  
Tailboard spring compensator (small size). Maximum capacity: 80 kg.



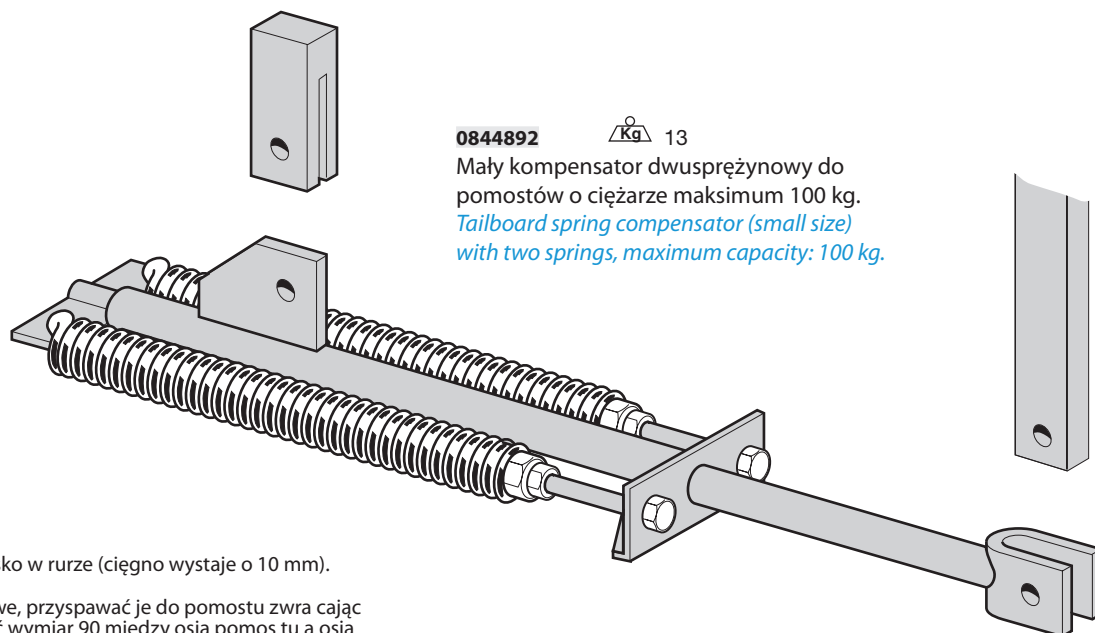
**0844890GM**  10

Sprężyna zapasowa do dużego kompensatora o numerze katalogowym 0804489GM.  
Spring for tailboard compensator (large size) ref. 0804489GM.

**0844890PM**  5

Sprężyna zapasowa do małego kompensatora o numerze katalogowym 0804489PM.  
Spring for tailboard compensator (small size) ref. 0804489PM.

KOMPENSATORY DO POMOSTÓW - RAMP SPRINGS

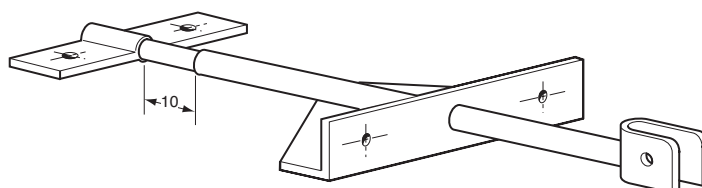


0844892 13

Mały kompensator dwusprężynowy do pomostów o ciężarze maksimum 100 kg.  
*Tailboard spring compensator (small size) with two springs, maximum capacity: 100 kg.*

**MONTAŻ**

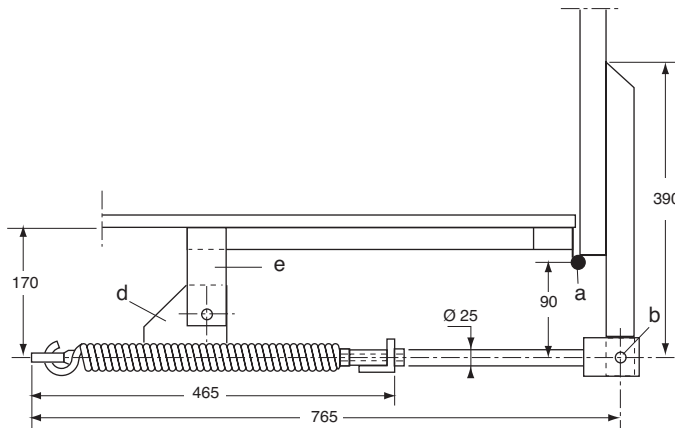
1. Zdjąć sprężyny.
2. Unieruchomić tłoczysko w rurze (ciągnó wystaje o 10 mm).
3. Ustawić ramię pionowe, przyspawać je do pomostu zwracając uwagę, aby zachować wymiar 90 między osią pomostu a osią kompensatora; wymiar 170 niezbędny jest dla przemieszczania kompensatora.
4. Ustawić kompensator równolegle do podłogi i przyspawać łapę tylną (d) jak najdalej na rurze. Następnie przyspawać widelki (e). Zmontować wszystkie elementy.
5. Zamontować sprężyny.
6. Wyregulować napięcie zważając, aby sprężyny miały tę samą długość.



**WAŻNE:** pamiętać o zamontowaniu przeciwnakrętki na właściwym miejscu, to znaczy na sprężynie, a nie z tyłu płytki napinającej (płytki pionowej). Możliwe jest pionowe ustawienie tego podnośnika.

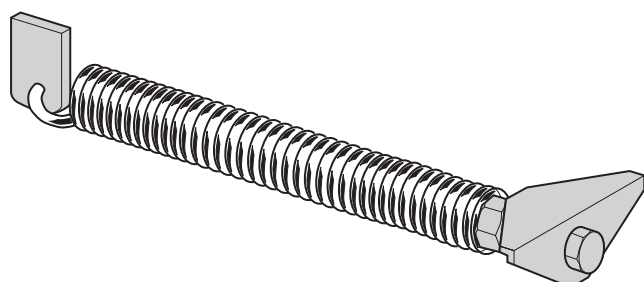
**INSTALLATION**

1. Remove both springs.
2. Insert rod into pipe (visible length of rod at end of pipe : 10 mm)
3. Install the vertical arm and weld into place on tailboard: adhere to following dimensions: 90 mm between tailboard center line and compensator center line; 170 mm : necessary stroke for compensator.
4. Install compensator parallel with floor board and weld rear anchor bracket (d) at the rearmost end of pipe. Then weld-on bracket (e). Assemble all parts.
5. Install springs.
6. Adjust springs tension, both springs must be adjusted to same length.x



**IMPORTANT NOTICE:** do not forget to install lock nut on spring. Never install nut at rear face of tensioning plate (vertical plate). This spring compensator can be installed in vertical position.

19



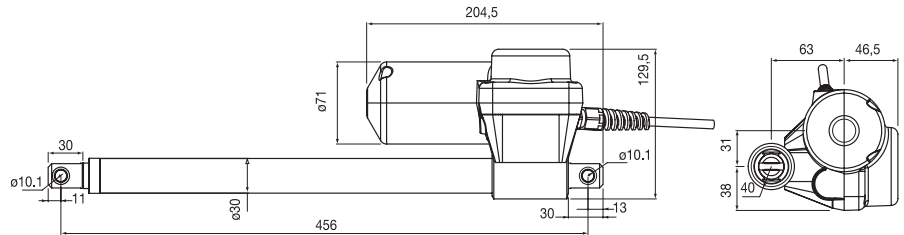
0844894RE 2,100

Dodatkowa sprężyna bez łap mocujących.  
*Additional spring without anchor brackets.*


0844894

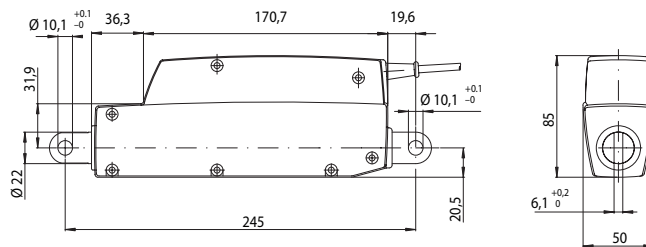
Sprężyna z łapą mocującą niezbędna do przeróbki podnośnika 0844892 na model o trzech sprężynach do pomostu maksimum 150 kg.  
*Spring with additional anchor brackets, necessary to convert a two springs compensator 0844892 into three springs compensator. Maximum capacity: 150 kg.*

**SIŁOWNIKI ELEKTRYCZNE - ACTUATORS**



Siłownik elektryczny LA30 z zewnętrzną kartą sterowania TREM208H. Klasyfikacja IP66.  
*Electric actuator LA30 with external TREM208H motorcontroller. IP66 classified.*

| Nr katalog.<br>Reference |  <b>Sita</b><br>Trust force | <b>Skok</b><br>Stroke | <b>Prędkość</b><br>Speed | <b>Natężenie</b><br>Current | <b>Napięcie</b><br>Voltage |
|--------------------------|--|-----------------------|--------------------------|-----------------------------|----------------------------|
| 2043802                  | 2,8  | 3500                  | 9,5                      | 18                          | 12                         |

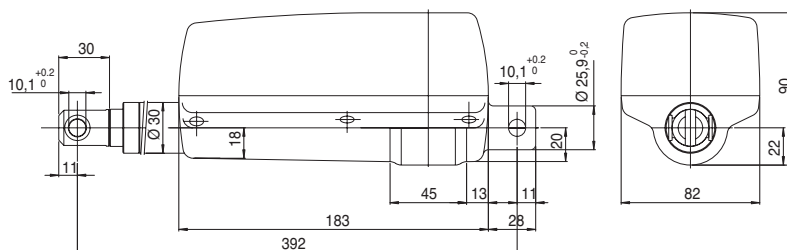


Mały elektryczny siłownik LA12PLC z kartą elektroniczną i wyłącznikiem krańcowym. Homologacja IP65. Dostarczany bez konektorów z 8 przewodami o długości 2300 mm.

*Electric compact actuators LA12PLC equipped with electronic card and stroke end sensors. Classification IP65. Delivered with 8 wires without connectors, 2300 mm long.*

| Nr katalog.<br>Reference |  <b>Sita</b><br>Trust force | <b>Skok</b><br>Stroke | <b>Prędkość</b><br>Speed | <b>Natężenie</b><br>Current | <b>Napięcie</b><br>Voltage |
|--------------------------|--|-----------------------|--------------------------|-----------------------------|----------------------------|
| 2043800                  | 0,750  | 100                   | 8                        | 1,8                         | 24                         |

**SIŁOWNIKI ELEKTRYCZNE - ACTUATORS**



Siłownik elektryczny, siła 2000 N, skok 200 mm, uchwyt plastikowy.  
*Electric actuator Force 2000 N - Stroke 200 mm, plastic gascket.*

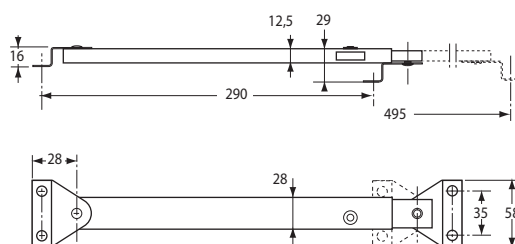
| Nr katalog.<br>Reference | Kg  | Siła<br>Trust force | Skok<br>Stroke | Prędkość<br>Speed | Natężenie<br>Current | Napięcie<br>Voltage |
|--------------------------|-----|---------------------|----------------|-------------------|----------------------|---------------------|
| 2043810                  | 1,9 | 2000                | 200            | 13                | 4,4                  | 24                  |
| 2043820                  | 1,9 | 2000                | 200            | 13                | 8                    | 12                  |



Przełącznik 3 pozycyjny.  
*3 positions switch for electric actuator.*

| Nr katalog.<br>Reference | Kg   |
|--------------------------|------|
| 2043830                  | 0,05 |

**INNE SYSTEMY PODNOSZENIA - OTHER LIFTING SYSTEMS**



Podpora teleskopowa, stal cynkowana, chromianowana.  
*Telescopic prop in zinc plated steel.*

19

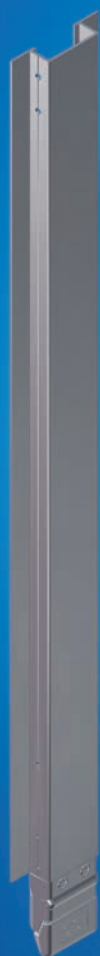
| Nr katalog.<br>Reference | Kg   |
|--------------------------|------|
| 2004389                  | 0,35 |

# AKCESORIA DO POJAZDÓW Z PLANDEKĄ

Dachy Open, napinacze, kłonicy przesuwne, stopy kłonicy

## COVERED VEHICLES ACCESSORIES

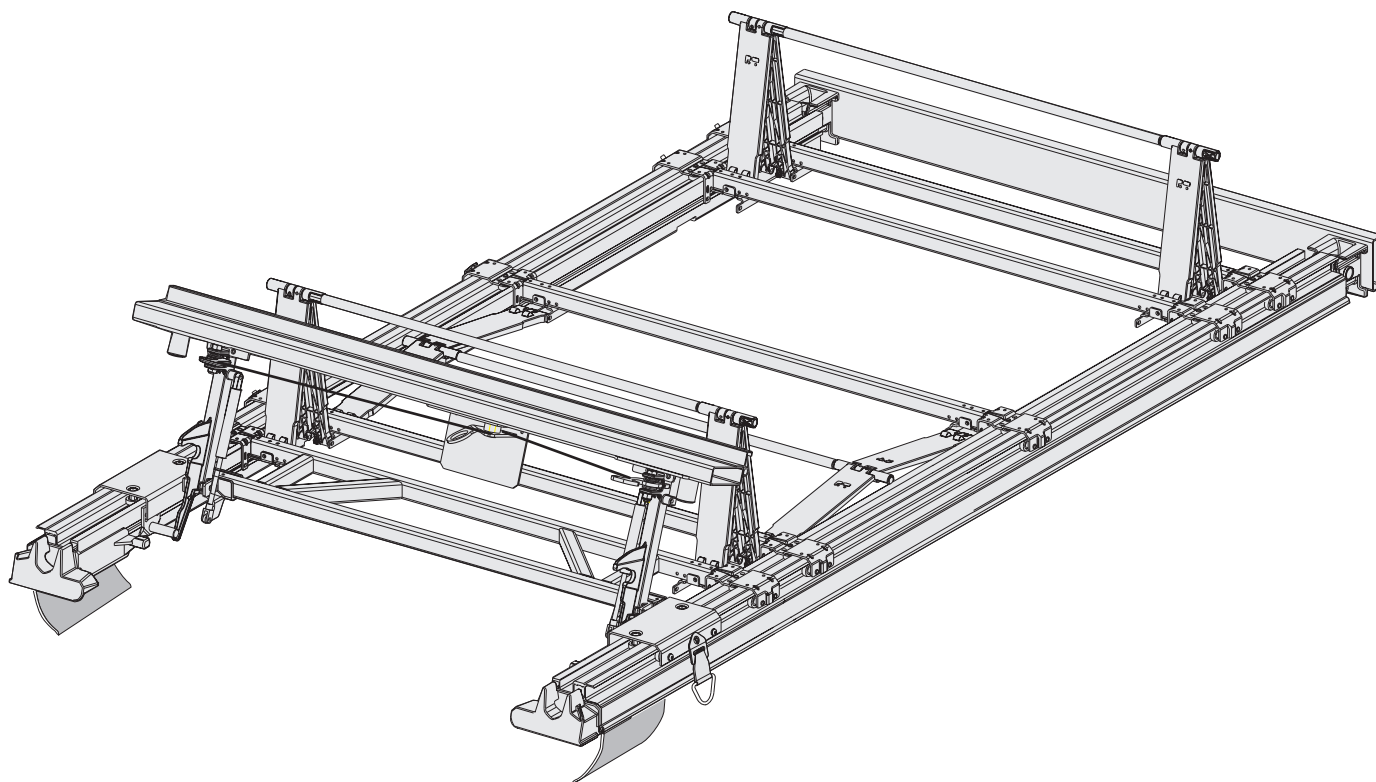
Open sliding roofs, curtain tensioners, sliding pillars, ranchers



20





**DACH PRZESUWNY "OPEN" - OPEN KIT**

**ZESTAW DACHU PRZESUWNEGO Z PRZEGUBOWYMI PODNOŚNIKAMI POWŁOKI, OBSŁUGIWANY Z PODŁOGI, DO POJAZDÓW O SZEROKOŚCI CAŁKOWITEJ 2550 mm.**

- Odstęp między podnośnikami 807 +/- 4 mm.
- Dla długości 13,55 m, wstępne ugięcie aluminiowej belki wzdluznej 260 mm, zewnętrzne wymiary dachu złożonego do przodu: 1,80 m.

**SLIDING ROOF KIT WITH ARTICULATED LIFTING PANELS, OUTSIDE OPENING, FOR 2550 mm WIDTH VEHICLES**

- Aluminium bows every 807 +/- 4 mm, see mounting technical data sheet 3110465FT.
- For 13,55 m length, curve of the aluminium cantrail section is 260 mm. Length of the roof opened at the front : 1,80 m

| Długość karoserii<br><i>Body length</i><br>(m) | Nr. kat. zestawu części dachu z pałkami i belką poprzeczną ze stali<br><i>Part number of the sliding roof kit with alu rear bow and alu rear header</i> | $\text{Kg}$ | Nr. kat. zestawu części dachu z pałkami i belką poprzeczną ze stali<br><i>Part number of the sliding roof kit with alu rear bow and steel rear header</i> | $\text{Kg}$ | Nr. kat. zestawu części dachu z pałkami i poprzeczną ze stali<br><i>Part number of the sliding roof kit with steel rear bow and steel rear header</i> | $\text{Kg}$ |
|--|---|-------------|---|-------------|---|-------------|
| 5,01 do/to 5,59                                | <b>3110452TA</b>  | 184         | <b>3110452</b>  | 193         | <b>3110522</b>  | 213         |
| 5,60 do/to 6,39                                | <b>3110453TA</b>  | 189         | <b>3110453</b>  | 198         | <b>3110523</b>  | 221         |
| 6,40 do/to 7,19                                | <b>3110454TA</b>  | 193         | <b>3110454</b>  | 203         | <b>3110524</b>  | 228         |
| 7,20 do/to 7,75                                | <b>3110455TA</b>  | 198         | <b>3110455</b>  | 207         | <b>3110525</b>  | 235         |
| 7,76 do/to 7,99                                | <b>3110456TA</b>  | 212         | <b>3110456</b>  | 221         | <b>3110526</b>  | 249         |
| 8,00 do/to 8,75                                | <b>3110457TA</b>  | 217         | <b>3110457</b>  | 225         | <b>3110527</b>  | 257         |
| 8,76 do/to 9,59                                | <b>3110458TA</b>  | 235         | <b>3110458</b>  | 244         | <b>3110528</b>  | 278         |
| 13,55  | <b>3110465TA</b>  | 318         | <b>3110465</b>  | 327         | <b>3110535</b>  | 377         |

W sprawie innych długości, Państwa pytania prosimy kierowac do nas zapytanie. / *For other dimensons, please contact us.*

Odnosnie składników zestawu patrz strona, pozycje **1** do **28**.

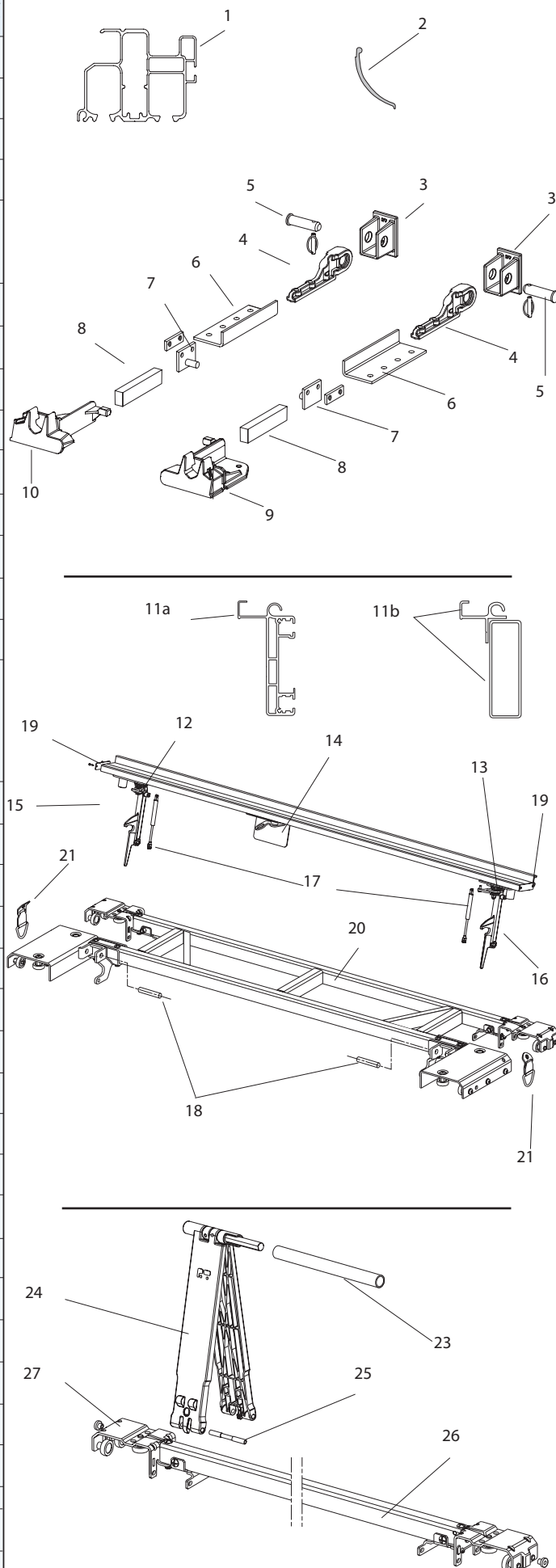
**Do naszych zestawów nie wchodzi :** plandeka, słupki, wózki słupków i wózki plandek bocznych.

*For our kits composition, see next pages, part numbers 1 to 28.*

**Not supplied with our kits :** *side pillars, trolleys for pillars and runners for side curtains.*

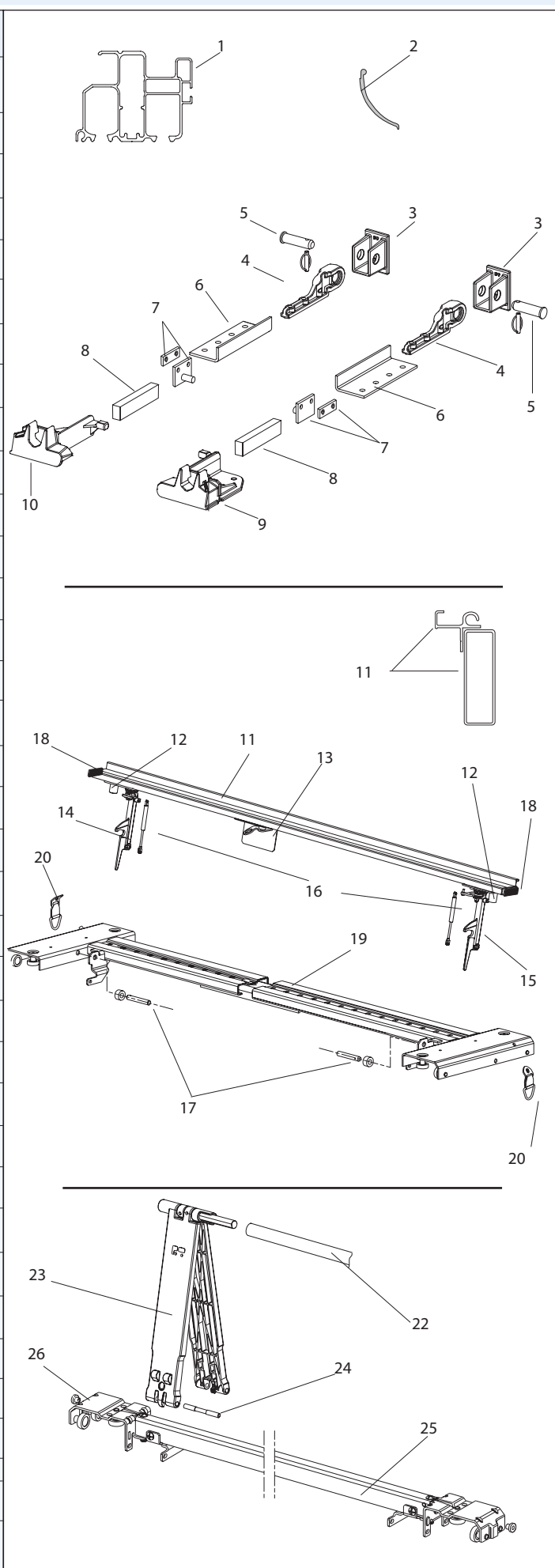
### DACH PRZESUWNY WERSJA ALUMINIOWA - COMMON OPEN ACCESSORIES

| Proz. nr<br>Rep. | Opis<br>Designation  | Referencja<br>Reference | Ilość<br>Qty |
|------------------|--|-------------------------|--------------|
| 1                | Profil dachu, aluminium długość 7,50 m<br><i>Aluminium cantrail, lgth 7,50 m</i>   | <b>3110072DR/GA</b>     | *            |
|                  | Profil dachu, aluminium długość 8,50 m<br><i>Aluminium cantrail, lgth 8,50 m</i>   | <b>3110073DR/GA</b>     | *            |
|                  | Profil dachu, aluminium długość 9,50 m<br><i>Aluminium cantrail, lgth 9,50 m</i>   | <b>3110380DR/GA</b>     | *            |
|                  | Profil dachu, aluminium długość 13,40 m<br><i>Aluminium cantrail, lgth 13,40 m</i>   | <b>3110075DR/GA</b>     | *            |
| 2<br>lub/or      | Profil okapnika, długość 17 m<br><i>Pelmet section, 17 m lgth</i>  | <b>3110259</b>          | *            |
|                  | Profil okapnika, długość 27,40 m<br><i>Pelmet section, 27,40 m lgth</i>  | <b>3110250</b>          | *            |
| 3                | Oślonka przedniego wspornika<br><i>Front cantrail support</i>  | <b>3110080</b>          | 2            |
| 4                | Łącznik przedni belki<br><i>Front cantrail connexion</i>   | <b>3110081</b>          | 2            |
| 5                | Oś łącznika, przedniego<br><i>Axle for front cantrail support</i>  | <b>3110080AX</b>        | 2            |
| 6                | Płyta podparcia przednia/szablony do odwiercania<br><i>Front support plate / Drilling gauge</i>  | <b>3110368</b>          | 2            |
| 7                | Anschlagbock für Kippvorgang<br><i>Tilting pin</i>   | <b>3110378</b>          | 2            |
|                  | + Płytki<br><i>+ fitting plate</i>   | <b>3110381</b>          | 2            |
| 8                | Kostka tylna mocująca<br><i>Rear cantrail connexion</i>  | <b>3110365</b>          | 2            |
| 9                | Łącznik tylny, prawy<br><i>Rear cantrail support-Right side</i>  | <b>3110364DR</b>        | 1            |
| 10               | Łącznik tylny, lewy<br><i>Rear cantrail support-Left side</i>  | <b>3110364GA</b>        | 1            |
| 11a<br>lub/or    | Belka poprzeczna aluminiowa z wyposażeniem<br>poz. 12, 13, 14, 15 i 16 zespawane<br><i>Aluminium rear header fully assembled<br/>(including items 12, 13, 14, 15 and 16)</i> | <b>3110065TE</b>        | 1            |
|                  | 11b<br>Belka poprzeczna tylna z wyposażeniem 12, 13, 15 and 16 zespawane<br><i>Steel rear header assembled items 12, 13, 15 and 16 welded</i>                                | <b>3110384TE</b>        | 1            |
|                  | + Profil do plandeki<br><i>+ hooking cover profile</i>   | <b>3110374</b>          | 1            |
| 12               | Płytki lub czopy centrujący, lewy<br><i>Centering plate left</i>   | <b>3110382GA</b>        | 1            |
| 13               | Płytki lub czopy centrujący, prawy<br><i>Centering plate right</i>   | <b>3110382DR</b>        | 1            |
| 14               | Komplet odryglowania z cięgnami<br><i>Locking device with rods</i>   | <b>3110064</b>          | 1            |
| 15               | Wspornik belki poprzecznej, lewy, z wyposażeniem<br><i>Rear header bar support device-Left side</i>  | <b>3110366GA</b>        | 1            |
| 16               | Wspornik belki poprzecznej, prawy, z wyposażeniem<br><i>Rear header bar support device-Right side</i>  | <b>3110366DR</b>        | 1            |
| 17               | Sprężyna gazowa dla belki poprzecznej aluminiowej<br><i>gas spring for aluminium rear header</i>   | <b>2043917F</b>         | 2            |
| 18               | Oś wspornika belki poprzecznej<br><i>Pin for rear header bar support</i>   | <b>3110370AX</b>        | 2            |
| 19               | Końcówka belki poprzecznej<br><i>End cap for aluminium header</i>  | <b>3110383EM</b>        | 2            |
| 20               | Podwójne przęsło tylne, zmontowane<br><i>Aluminium double rear bow assembled</i>   | <b>3110125AM</b>        | 1            |
| 21               | Taśma manipulacyjna<br><i>Strap</i>  | <b>3110375</b>          | 2            |
| 22               | Komplet śrub<br><i>Screws set</i>  | <b>3110465KV</b>        | 1            |
| 23               | Rura, aluminium, Ø 20 x 1,8 mm<br><i>Aluminium tube Ø 20 x 1,8 mm</i>  | <b>3110359EX</b>        | *            |
| 24               | Podnośnik plandeki, zmontowany<br><i>Articulated lifting panels</i>  | <b>3110367</b>          | *            |
| 25               | Oś podnośnika plandeki<br><i>Pin for lifting panels</i>  | <b>3110367AX</b>        | *            |
| 26               | Przęsło pojedyncze, aluminiowe, 40 x 30, zmontowane<br><i>Aluminium cross bow 40 x 30 assembled</i>  | <b>3110128AM</b>        | *            |
| 27               | Łapa trzymająca<br><i>Roof cover washer</i>  | <b>3110369</b>          | *            |
|                  | + Nit / + rivet  | <b>5814151SE</b>        | *            |
| 28               | Instrukcja montażu<br><i>Mounting instructions</i>   | <b>3110465FT</b>        | 1            |
| *                | Ilości odpowiednie do długości dachu<br><i>Quantity depending of body length</i>   |                         |              |

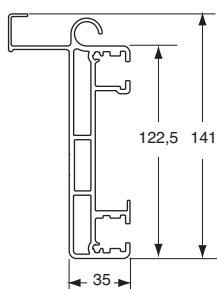


DACH PRZESUWNY WERSJA STALOWA - COMMON OPEN ACCESSORIES

| Poz. nr<br>Rep. | Opis<br>Designation  | Referencja<br>Reference | Ilość<br>Qty |
|-----------------|--|-------------------------|--------------|
| 1               | Profil dachu, aluminium długość 7,50 m<br><i>Aluminium cantrail, lgth 7,50 m</i>   | <b>3110072DR/GA</b>     | *            |
|                 | Profil dachu, aluminium długość 8,50 m<br><i>Aluminium cantrail, lgth 8,50 m</i>   | <b>3110073DR/GA</b>     | *            |
|                 | Profil dachu, aluminium długość 9,50 m<br><i>Aluminium cantrail, lgth 9,50 m</i>   | <b>3110380DR/GA</b>     | *            |
|                 | Profil dachu, aluminium długość 13,40 m<br><i>Aluminium cantrail, lgth 13,40 m</i>   | <b>3110075DR/GA</b>     | *            |
| 2<br>lub/or     | Osłona przedniego wspornika, długość 17 m<br><i>Pelmet section, 17 m lgth</i>  | <b>3110259</b>          | *            |
|                 | Osłona przedniego wspornika, długość 27,40 m<br><i>Pelmet section, 27,40 m lgth</i>  | <b>3110250</b>          | *            |
| 3               | Osłona przedniego wspornika<br><i>Front cantrail support</i>   | <b>3110080</b>          | 2            |
| 4               | Łącznik przedni belki<br><i>Front cantrail connexion</i>   | <b>3110081</b>          | 2            |
| 5               | Oś łącznika, przedniego<br><i>Axle for front cantrail support</i>  | <b>3110080AX</b>        | 2            |
| 6               | Płyta podparcia przednia/szablon do odwiercania<br><i>Front support plate / Drilling gauge</i>                                 | <b>3110368</b>          | 2            |
| 7               | Ogranicznik przechylenia<br><i>Tilting pin</i>   | <b>3110378</b>          | 2            |
|                 | + Płytką<br><i>+ fitting plate</i>   | <b>3110381</b>          | 2            |
| 8               | Kostka tylna mocująca<br><i>Rear cantrail connexion</i>  | <b>3110365</b>          | 2            |
| 9               | Łącznik tylny, prawy<br><i>Rear cantrail support-Right side</i>  | <b>3110364DR</b>        | 1            |
| 10              | Łącznik tylny, lewy<br><i>Rear cantrail support-Left side</i>  | <b>3110364GA</b>        | 1            |
| 11              | Belka poprzeczna tylna z wyposażeniem 12, 14, and 15 zespane<br><i>Steel rear header assembled items 12, 14, and 15 welded</i> | <b>3110384TE</b>        | 1            |
|                 | + Profil mocowania plandeki<br><i>+ hooking cover profile</i>  | <b>3110374</b>          | 1            |
| 12              | Pion centrujący do belki poprzecznej stalowej<br><i>Centering pin for steel rear header</i>                                    | <b>3110371</b>          | 2            |
| 13              | Komplet blokady z cięgnami<br><i>Locking device with rods</i>  | <b>3110064</b>          | 1            |
| 14              | Wspornik belki poprzecznej, lewy, z wyposażeniem<br><i>Rear header bar support device-Left side</i>                            | <b>3110366GA</b>        | 1            |
| 15              | Wspornik belki poprzecznej, prawy, z wyposażeniem<br><i>Rear header bar support device-Right side</i>                          | <b>3110366DR</b>        | 1            |
| 16              | Sprężyna gazowa<br><i>Gas spring for steel rear header</i>   | <b>2043917G</b>         | 2            |
| 17              | Oś wspornika belki poprzecznej<br><i>Pin for rear header bar support</i>   | <b>3110370AX</b>        | 2            |
|                 | + podkładka do wspornika belki poprzecznej<br><i>and washer</i>  | <b>3110370EN</b>        | 5            |
| 18              | Końcówka belki poprzecznej<br><i>End caps for steel rear header</i>  | <b>3110384EM</b>        | 2            |
| 19              | Podwójne przęsło tylne, zmontowane<br><i>Main rear bow assembled</i>   | <b>3110370</b>          | 1            |
| 20              | Taśma manipulacyjna<br><i>Strap</i>  | <b>3110375</b>          | 2            |
| 21              | Komplet śrub<br><i>Screws set</i>  | <b>3110465KV</b>        | 1            |
| 22              | Rura, stal Ø 20 x 1,8 mm<br><i>Aluminium tube Ø 20 x 1,8 mm</i>  | <b>3110359EX</b>        | *            |
| 23              | Podnośnik plandeki, zmontowany<br><i>Articulated lifting panels</i>  | <b>3110367</b>          | *            |
| 24              | Oś podnośnika plandeki<br><i>Pin for lifting panel</i>   | <b>3110367AX</b>        | *            |
| 25              | Pałak pojedynczy, stal 40 x 30, zmontowany<br><i>Steel cross bow 40 x 30 assembled</i>   | <b>3110120AM</b>        | *            |
| 26              | Łapa trzymająca<br><i>Roof cover washer</i>  | <b>3110369</b>          | *            |
|                 | + Niet POP / +Nit  | <b>5814151SE</b>        | *            |
| 27              | Instrukcja montażu<br><i>Mounting instructions</i>   | <b>3110465FT</b>        | 1            |
| *               | Ilość w zależności od długości karoserii<br><i>Quantity depending of body length</i>   |                         |              |

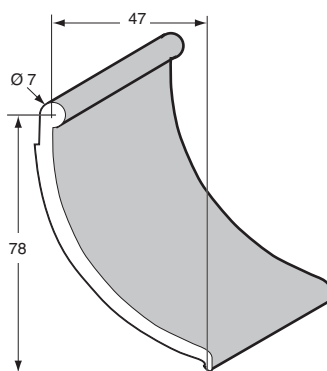


**AKCESORIA WSPÓLNE OPEN - COMMON OPEN ACCESSORIES**

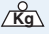


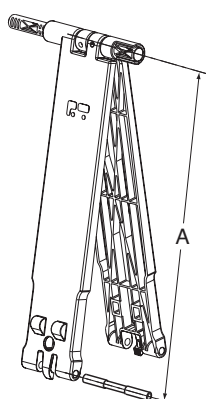
Tyłna belka poprzeczna, aluminium surowe. Dł. 2540 mm.  
*Self colour aluminium rear header bar, 2540 length.*

| Nr katalog.<br>Reference |  Kg | Długość<br>Length |
|--------------------------|--|-------------------|
| 3110065                  | 9  | 2540              |

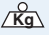


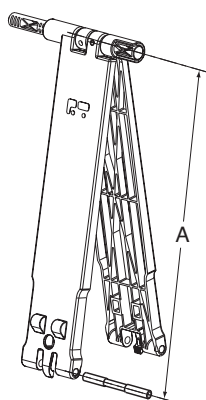
Profil okapu szary.  
*Grey P.V.C. flap profile.*

| Nr katalog.<br>Reference |  Kg | Długość<br>Length |
|--------------------------|--|-------------------|
| 3110250                  | 19   | 27,4              |
| 3110259                  | 11   | 17                |

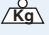


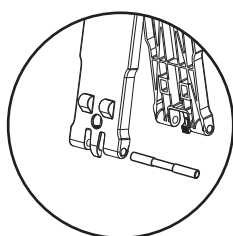
Podnośnik planeki zmontowany. A = 373 mm (skok 800 mm).  
*LM articulated lifting panels, A = 373 mm (step of 800 mm).*

| Nr katalog.<br>Reference |  Kg | A<br>(mm) |
|--------------------------|--|-----------|
| 3110367                  | 0,44   | 373       |



Podnośnik planeki zmontowany, A = 273 mm (skok 600 mm).  
*SM articulated lifting panels, A = 273 mm (step of 600 mm).*

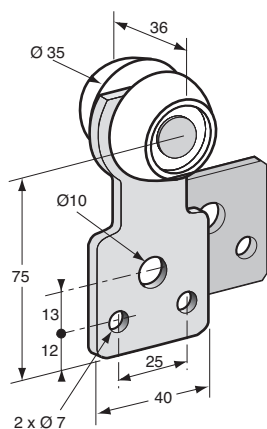
| Nr katalog.<br>Reference |  Kg | A<br>(mm) |
|--------------------------|--|-----------|
| 3110389                  | 0,35   | 273       |




Oś podnośnika planeki.  
*Pin for articulated lifting panels.*

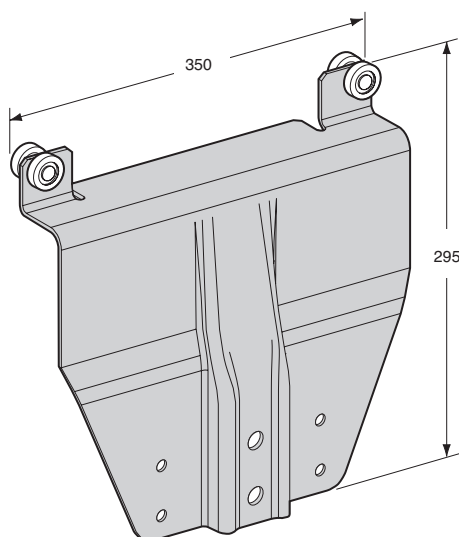
| Nr katalog.<br>Reference |  Kg |
|--------------------------|--|
| 3110367AX                | 0,035  |

**AKCESORIA WSPÓLNE OPEN - COMMON OPEN ACCESSORIES**




Wózek plandeki stal ocynkowana z podkładką i rolką nylonową.  
*Zinc plated steel curtain bracket and wall-plate with nylon rollers.*

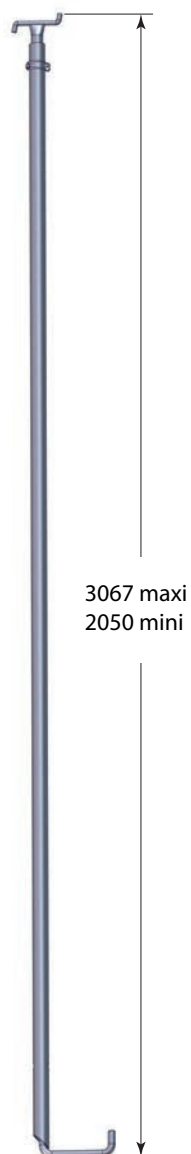
| Nr katalog.<br>Reference |  Kg |
|--------------------------|--|
| 3110385                  | 0,165  |



Wózek słupa przesuwnego, stal w kataforezie z rolkami nylonowymi.  
*Steel sliding trolley for pillar, black epoxy primer, with nylon rollers.*

| Nr katalog.<br>Reference |  Kg |
|--------------------------|--|
| 3110397                  | 2,8  |

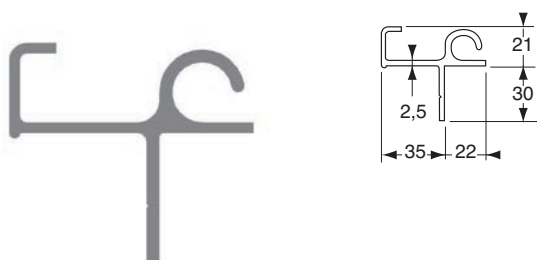
**AKCESORIA WSPÓLNE OPEN - COMMON OPEN ACCESSORIES**



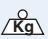
Drażek teleskopowy stal cynkowana.  
*Telescopic pole, zinc bichromated steel.*

| Nr katalog.<br><i>Reference</i> |  <i>Kg</i> | Długość<br><i>Length</i> |
|---------------------------------|---|--------------------------|
| 3110388 S                       | 4,400   | 2050<br>3067             |

3067 maxi  
2050 mini



Profil mocowania plandeki aluminium surowe.  
*Hooking cover profile, self colour aluminium.*

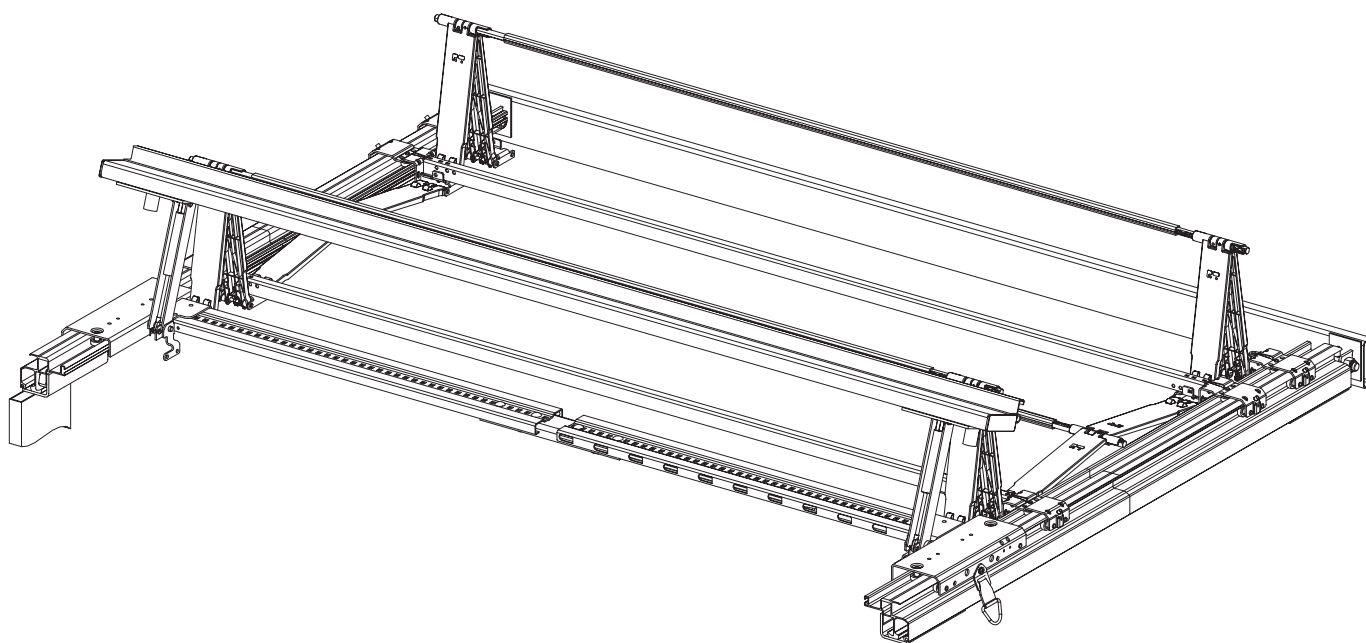
| Nr katalog.<br><i>Reference</i> |  <i>Kg</i> | Długość<br><i>Length</i> |
|---------------------------------|---|--------------------------|
| 3110374                         | 3   | 2550                     |

20



Profil haczenia plandeki.  
*Plastic profile to fix tarpaulin.*

| Nr katalog.<br><i>Reference</i> |  <i>Kg</i> | Długość<br><i>Length</i> |
|---------------------------------|---|--------------------------|
| 3110273                         | 0,25  | 3200                     |




**SZYBERDACH KIT OPEN PLUS 3T5 - 3T5 OPEN PLUS KIT**


**ZESTAW DACHU PRZESUWNEGO MAXI VOLUME Z PODNOŚNIKAMI PRZEGUBOWYMI, STEROWANY Z, PODŁOGI, DO POJAZDÓW O SZEROKOŚCI CAŁKOWITEJ 2550 mm.**

– Odstęp między pałkami 807 +/- 4 mm

**SLIDING ROOF 3T5 OPEN PLUS KIT WITH ARTICULATED LIFTING PANELS, OUTSIDE OPENING, FOR 2550 mm WIDTH VEHICLES.**

– Aluminium bows every 807 +/- 4 mm.

| Długość karoserii<br>(m)<br><i>Body length</i><br>(m) | Nr. kat. zestawu części dachu z pałkami i belką poprzeczną z aluminium<br><i>Part number of the sliding roof kit with alu rear bow and alu rear header</i> |  | Nr. kat. zestawu części dachu z pałkami z aluminium i belką poprzeczną ze stali<br><i>Part number of the sliding roof kit with alu rear bow and steel rear header</i> |  | Nr. kat. zestawu części dachu z pałkami i belką poprzeczną ze stali<br><i>Part number of the sliding roof kit with steel rear bow and steel rear header</i> |  |
|---|--|---|---|---|---|---|
| 3,80 do/to 4,59                                       | <b>3110601TA</b>   | <b>130</b>  | <b>3110601</b>  | <b>136</b>  | <b>3110621</b>  | <b>156</b>  |
| 4,60 do/to 5,39                                       | <b>3110602TA</b>   | <b>135</b>  | <b>3110602</b>  | <b>141</b>  | <b>3110622</b>  | <b>164</b>  |

W sprawie innych długości, Państwa pytania prosimy kierowac do nas zapytanie. / *For other dimensons, please contact us.*

Co do składu zestawów montażowych, pozycje od **1** do **26**.

**Do naszych zestawów nie wchodzi** : plandeka, słupki, wózki słupków i wózki plandek bocznych

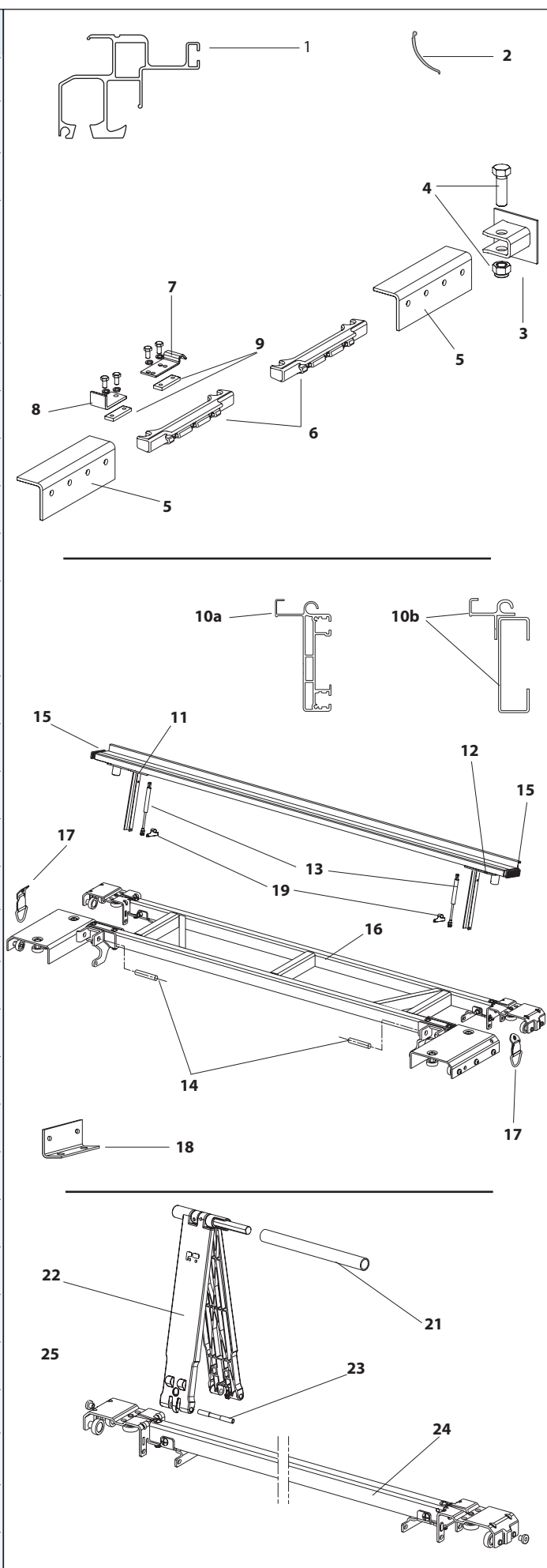
*For our kits composition, see next page, part numbers 1 to 26.*

**Not supplied with our kits** : side pillars, trolleys for pillars and runners for side curtains.



**SZYBERDACH OPEN PLUS 3T5 WERSJA Z ALUMINIUM - OPEN PLUS 3T5 SLIDING ROOF ALUMINIUM VERSION**

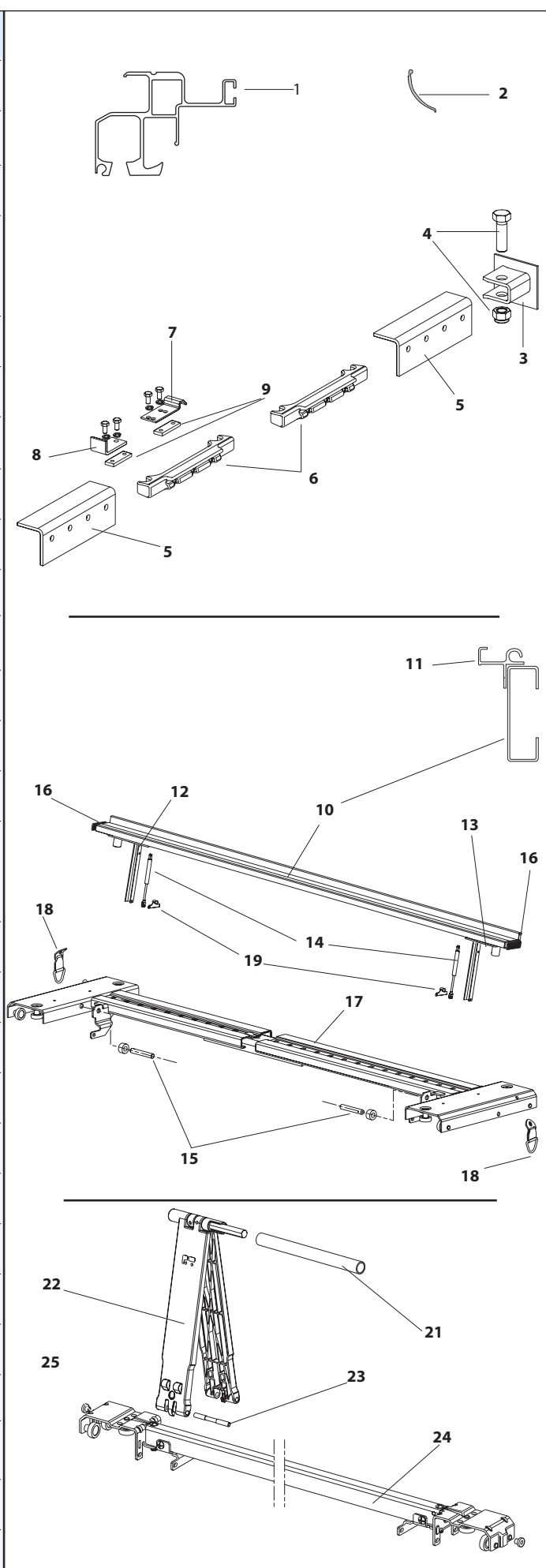
| Poz. nr<br>Rep. | Opis<br>Designation   | Nr katalogowy<br>Reference | Ilość<br>Qty |
|-----------------|---|----------------------------|--------------|
| 1               | Profil dachu, aluminium, lg. 5,30 m<br><i>Aluminium cantrail, lgth. 5,30 m</i>                  | 3110134DR/GA               | 1+1          |
| 2               | Osłona przedniego wspornika 17 m<br><i>Pelmet section, lgth 17 m</i>                            | 3110259                    | *            |
| 3               | Uchwyt wspornika przedniego<br><i>Front cantrail support</i>                                    | 3110063                    | 2            |
| 4               | Oś łącznika przedniego<br><i>Axlefor front antrai support</i>                                   | 3110050AX                  | 2            |
|                 | + Nakrętka<br><i>+ nut</i>  | 5761220                    | 2            |
| 5               | Płytki mocująca przednia / tylna<br><i>Front / Rear support plate</i>                           | 3110051                    | 4            |
| 6               | Kostka łącząca<br><i>Cantrail connexion</i>   | 3110050                    | 4            |
| 7               | Zderzak pałaka<br><i>Rear bow stop</i>  | 3110053                    | 2            |
| 8               | Zderzak końcowy<br><i>Stop end stroke</i>   | 3110062                    | 2            |
| 9               | plytka<br><i>Fitting plate</i>  | 3110381                    | 4            |
| 10a             | Belka poprzeczna aluminiowa<br><i>Aluminium rear header</i>                                     | 3110065                    | 1            |
| albo/or         |   |                            |              |
| 10b             | Belka poprzeczna stalowa otwarta<br><i>Steel rear opened header</i>                             | 3110060                    | 1            |
|                 | + Mocowanie plandeki<br><i>+ hooking cover profile</i>  | 3110374                    | 1            |
| 11              | Ramię wspornika belki poprzecznej, strona lewa<br><i>Rear header bar support device left</i>    | 3110055GA                  | 1            |
| 12              | Ramię wspornika belki poprzecznej, strona prawa<br><i>Rear header bar support device right</i>  | 3110055DR                  | 1            |
| 13              | Sprężyna gazowa<br><i>Gas spring</i>  | 2043918H                   | 2            |
| 14              | Oś wspornika belki poprzecznej<br><i>Pin for rear header bar support</i>                        | 3110370AX                  | 2            |
| 15              | Końcówka belki poprzecznej<br><i>End cap for aluminium header</i>                               | 3110383EM                  | 2            |
| albo/or         |   |                            |              |
|                 | Zaślepka poprzeczki stalowej<br><i>End cap for steel header</i>                                 | 3110384EM                  | 2            |
| 16              | Pałak podwójny tylny, zmontowany<br><i>Aluminium double rear bow assembled</i>                  | 3110125AM                  | 1            |
| 17              | Taśma manipulacyjna<br><i>Lashing strap</i>   | 3110375                    | 2            |
| 18              | Wspornik zamka<br><i>padlock support</i>  | 3110058                    | 2            |
| 19              | Wspornik sprężyny gazowej do pałaka aluminiowego<br><i>Support-jack for alumnium bow</i>        | 3110057                    | 2            |
| 20              | Komplet śrub<br><i>Screws set</i>   | 3110600KV                  | 1            |
| 21              | Rura, stal Ø 20 x 1,8 mm<br><i>Aluminium tube Ø 20 x 1,8 mm</i>                                 | 3110359EX                  | *            |
| 22              | Podnośnik plandeki, zmontowany<br><i>Articulated lifting panel</i>                              | 3110367                    | *            |
| 23              | Oś podnośnika plandeki<br><i>Pin for lifting panel</i>  | 3110367AX                  | *            |
| 24              | Pałak pojedynczy aluminiowy 40 x 30, zmontowany<br><i>Aluminium cross bow 40 x 30 assembled</i> | 3110128AM                  | *            |
| 25              | Łapa trzymająca<br><i>Roof cover washer</i>   | 3110369                    | *            |
|                 | + Nit POP<br><i>+ POP rivet</i>   | 5814151SE                  | *            |
| 26              | Instrukcja montażu<br><i>Mounting instructions</i>  | 3110622FT                  | 1            |
| *               | Ilość w zależności od długości karoserii<br><i>Quantity depending of body length</i>            |                            |              |



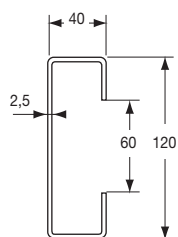


**ZESTAW SZYBERDACH OPEN PLUS 3T5 WERSJA STALOWA - OPEN PLUS 3T5 SLIDING ROOF STEEL VERSION**

| Poz. nr<br>Rep. | Opis<br>Designation   | Nr katalogowy<br>Reference | Ilość<br>Qty |
|-----------------|---|----------------------------|--------------|
| 1               | Profil dachu, aluminium l. 5,30 m<br><i>Aluminium cantrail, lgth. 5,30 m</i>                        | 3110134DR/GA               | 1+1          |
| 2               | Osłona przedniego wspornika 17 m<br><i>Pelmet section, lgth 17 m</i>                                | 3110259                    | *            |
| 3               | Uchwyt wspornika przedniego<br><i>Front cantrail support</i>  | 3110063                    | 2            |
| 4               | Oś łącznika przedniego<br><i>Axle for front cantrai support</i>                                     | 3110050AX                  | 2            |
|                 | + Nakrętka<br><i>+ nut</i>  | 5761220                    | 2            |
| 5               | Płytki mocująca przednia / tylna<br><i>Front / Rear support plate</i>                               | 3110051                    | 4            |
| 6               | Kostka łącząca<br><i>Cantrail connexion</i>   | 3110050                    | 4            |
| 7               | Zderzak pałąka<br><i>Rear bow stop</i>  | 3110053                    | 2            |
| 8               | Zderzak końcowy<br><i>Stop end stroke</i>   | 3110062                    | 2            |
| 9               | Płytki<br><i>Fitting plate</i>  | 3110381                    | 2            |
| 10              | Belka poprzeczna stalowa otwarta<br><i>Steel rear opened header</i>                                 | 3110060                    | 1            |
| 11              | Mocowanie plandeki<br><i>Fixing cover profile</i>   | 3110374                    | 1            |
| 12              | Ramię wspornika belki poprzecznej, strona lewa<br><i>Rear header bar support device-Left side</i>   | 3110055GA                  | 1            |
| 13              | Ramię wspornika belki poprzecznej, strona prawa<br><i>Rear header bar support device-Right side</i> | 3110055DR                  | 1            |
| 14              | Sprężyna gazowa<br><i>Gas spring</i>  | 2043918H                   | 2            |
| 15              | Oś wspornika belki poprzecznej<br><i>Pin for header bar support</i>                                 | 3110370AX                  | 2            |
|                 | + Podkładka do wspornika belki poprzecznej<br><i>+ washer for header bar support</i>                | 3110370EN                  | 2            |
| 16              | Zaślepka poprzeczki stalowej<br><i>End cap for steel header</i>                                     | 3110384EM                  | 2            |
| 17              | Podwójne przęsło tylne, zmontowane<br><i>Bow for aluminium header bar support</i>                   | 3110370                    | 1            |
| 18              | Taśma manipulacyjna<br><i>Lashing strap</i>   | 3110375                    | 2            |
| 19              | Gasfederhalter für Stahltraverse<br><i>Support-jack for steel bow</i>                               | 3110056                    | 2            |
| 20              | Komplet śrub<br><i>Screws set</i>   | 3110600KV                  | 1            |
| 21              | Rura, stal Ø 20 x 1,8 mm<br><i>Alum. tube Ø 20 x 1,8 mm</i>   | 31103359EX                 | *            |
| 22              | Podnośnik plandeki, zmontowany<br><i>Articulated lifting panel</i>                                  | 3110367                    | *            |
| 23              | Oś podnośnika plandeki<br><i>Pin for lifting panel</i>  | 3110367AX                  | *            |
| 24              | Pałak pojedynczy aluminiowy 40 x 30, zmontowany<br><i>Steel cross bow 40 x 30 assembled</i>         | 3110120AM                  | *            |
| 25              | Łapa trzymająca<br><i>Roof cover washer</i>   | 3110369                    | *            |
|                 | + Nit POP<br><i>POP rivet</i>   | 5814151SE                  | *            |
| 26              | Instrukcja montażu<br><i>Mounting instructions</i>  | 3110622FT                  | 1            |
| *               | Ilość w zależności od długości karoserii<br><i>Quantity depending of body length</i>                |                            |              |

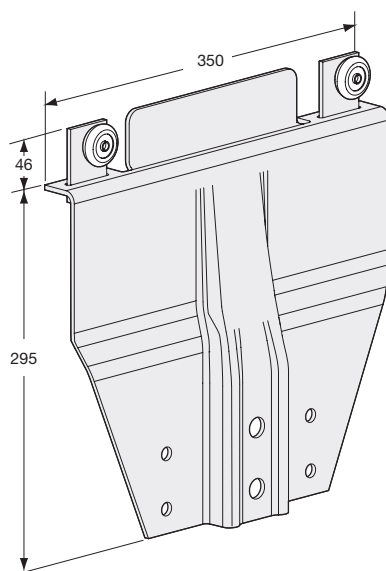


AKCESORIA OPEN PLUS - *OPEN PLUS ACCESSORIES*




Belka poprzeczna, stal galwanizowana.  
*Galvanized steel header bar.*

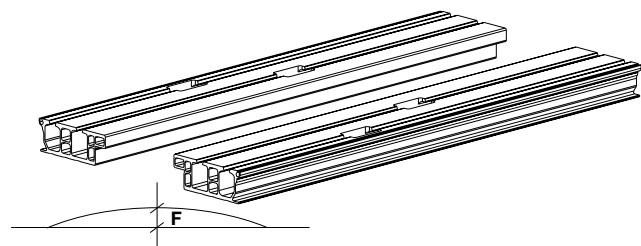
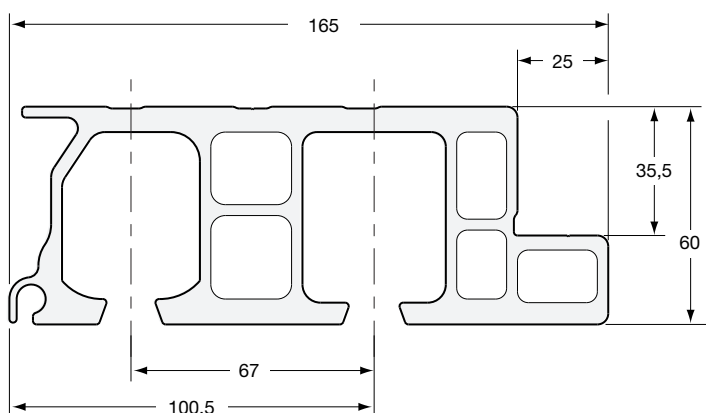
| Nr katalog.<br><i>Reference</i> |  |
|---------------------------------|---|
| 3110060                         | 10  |



Wózek słupa przesuwnego, stal w kataforezie, z rolkami nylonowymi.  
*Steel sliding trolley for pillar, black epoxy primer, with nylon rollers.*

| Nr katalog.<br><i>Reference</i> |  |
|---------------------------------|---|
| 3110393                         | 2,8   |

**BELKI ALUMINIOWE OPEN FLAT - OPEN FLAT ALUMINIUM BEAMS**

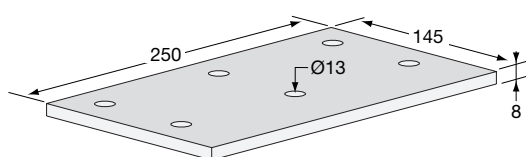


Profil aluminium surowe, dla pojazdu z dachem stałym, model poddany obróbce.

*Self colour aluminium profile, for vehicle with fixed roof, machined and curved model.*

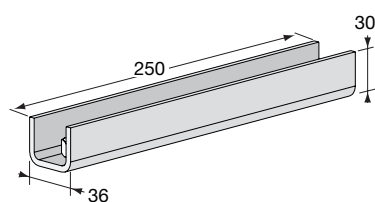
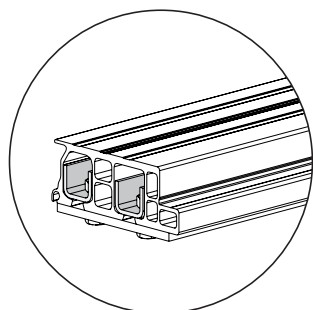
| Nr katalog.<br>Reference | $\frac{Kg}{m}$ | F   | Długość<br>Length | Strona<br>Hand |
|--------------------------|----------------|-----|-------------------|----------------|
| 3115024DR                | 79,26          | 50  | 9,7               | Prawa<br>Right |
| 3115024GA                | 76,26          | 50  | 9,7               | Lewa<br>Left   |
| 3115025DR                | 107,7          | 160 | 13,7              | Prawa<br>Right |
| 3115025GA                | 107,7          | 160 | 13,7              | Lewa<br>Left   |

**AKCESORIA OPEN FLAT - OPEN FLAT ACCESSORIES**



Płyta mocująca, stal cynkowana, dla dachu OPEN FLAT.  
*Zinc plated mounting plate, for OPEN FLAT roof.*

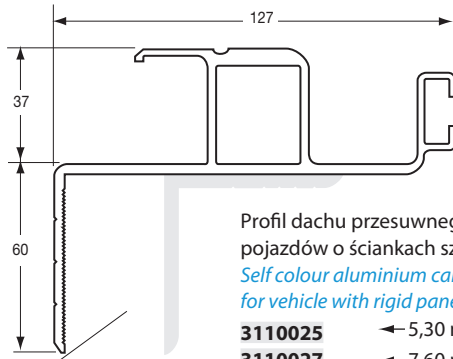
| Nr katalog.<br>Reference | $\frac{Kg}{m}$ |
|--------------------------|----------------|
| 3115030                  | 2,225          |



Listwa mocująca, stal cynkowana, dla dachu OPEN FLAT.  
*Zinc plated fixing bracket, for OPEN FLAT roof.*

| Nr katalog.<br>Reference | $\frac{Kg}{m}$ |
|--------------------------|----------------|
| 3115031                  | 0,715          |

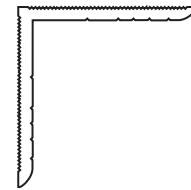
ZESTAW KOMPLETNY OPEN PLUS R - OPEN PLUS R KIT



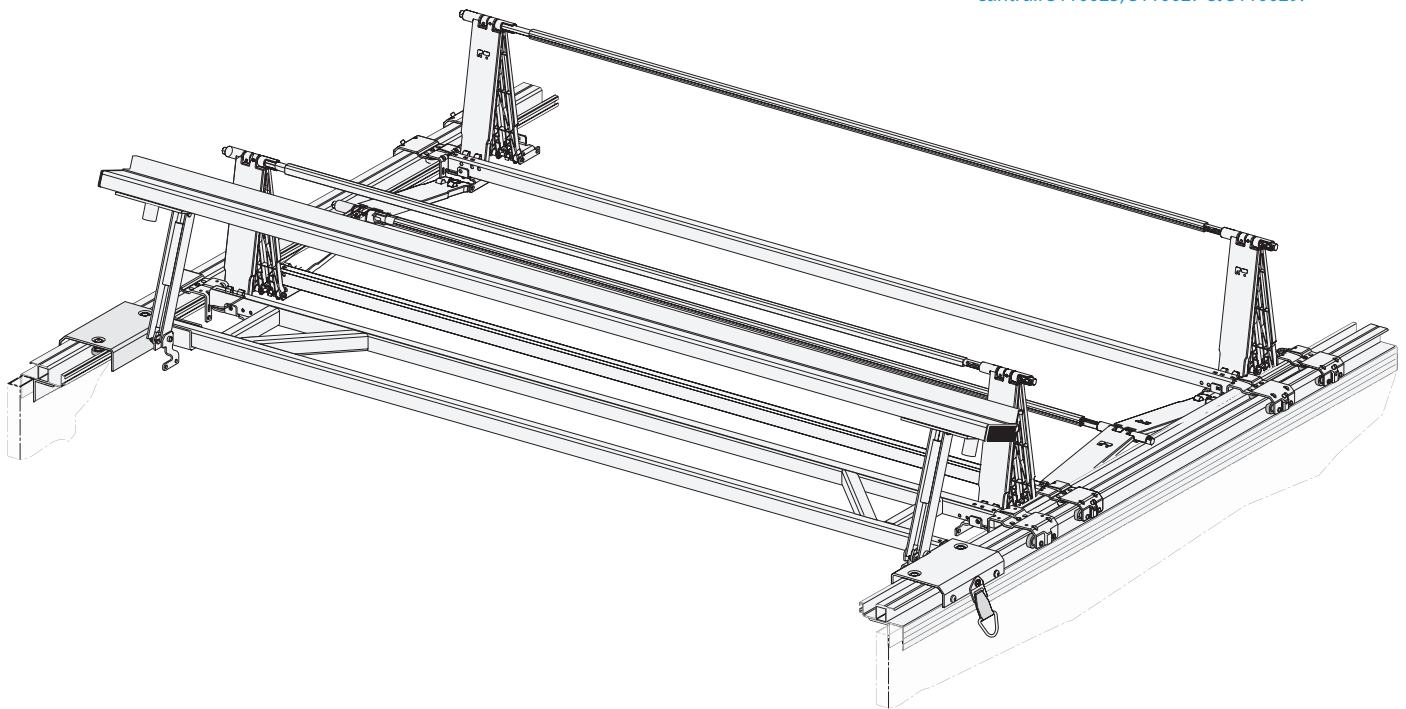
Profil dachu przesuwanego, surowe aluminium, do pojazdów o ściankach sztywnych.  
*Self colour aluminium cantrail, for vehicle with rigid panel.*

- 3110025** ← 5,30 m →
- 3110027** ← 7,60 m →
- 3110029** ← 9,60 m →

**3110030**



**3110030** ← 5,30 m →  
Kątownik z surowego aluminium, do profili 3110025, 3110027 i 3110029.  
*Self colour corner profile for aluminium cantrail 3110025, 3110027 et 3110029.*



ZESTAW MONTAŻOWY CZĘŚCI DACHU PRZESUWANEGO OPEN PLUS R, Z PRZEGUBOWYMI PODNOŚNIKAMI, OTWIERANY Z ZEWNĄTRZ, DO FURGONÓW O SZEROKOŚCI CAŁKOWITEJ.

Odstęp między podnośnikami 807 +/- 4 mm\*.

**SLIDING ROOF OPEN PLUS'R KIT FOR rigid body WITH ARTICULATED LIFTING PANELS, OUTSIDE OPENING, FOR 2550 mm WIDTH VEHICLES.**

*Aluminium bows every 807 +/- 4 mm\*.*

| Długość karoserii<br><i>Body length (m)</i> | Nr. kat. zestawu części dachu przesuwanego z pałkami i belką poprzeczną z aluminium.<br><i>Part number of the sliding roof kit with alu rear bow and alu rear header</i> | Kg  | Nr. kat. zestawu części dachu przesuwanego z pałkami i belką poprzeczną z aluminium<br><i>Part number of the sliding roof kit with alu rear bow and steel rear header</i> | Kg  |
|---|--|-----|---|-----|
| 3,05 do/to 3,84                             | <b>3110580TA</b>   | 85  | <b>3110580</b>  | 91  |
| 3,85 do/to 4,64                             | <b>3110581TA</b>   | 96  | <b>3110581</b>  | 102 |
| 4,65 do/to 5,34                             | <b>3110582TA</b>   | 103 | <b>3110582</b>  | 109 |
| 5,35 do/to 5,44                             | <b>3110583TA</b>   | 124 | <b>3110583</b>  | 130 |
| 5,45 do/to 6,24                             | <b>3110584TA</b>   | 127 | <b>3110584</b>  | 133 |
| 6,25 do/to 7,04                             | <b>3110585TA</b>   | 132 | <b>3110585</b>  | 138 |
| 7,05 do/to 7,64                             | <b>3110586TA</b>   | 137 | <b>3110586</b>  | 143 |
| 7,65 do/to 7,84                             | <b>3110587TA</b>   | 150 | <b>3110587</b>  | 156 |
| 7,85 do/to 8,64                             | <b>3110588TA</b>   | 159 | <b>3110588</b>  | 165 |
| 8,65 do/to 9,44                             | <b>3110589TA</b>   | 164 | <b>3110589</b>  | 170 |
| 9,45 do/to 9,64                             | <b>3110590TA</b>   | 166 | <b>3110590</b>  | 172 |

Odnosnie innych długości prosimy skierować do nas zapytanie. / *For other dimensons, please contact us.*

W sprawie składu zestawu części montażowych, patrz , poz. od 1 do 22.

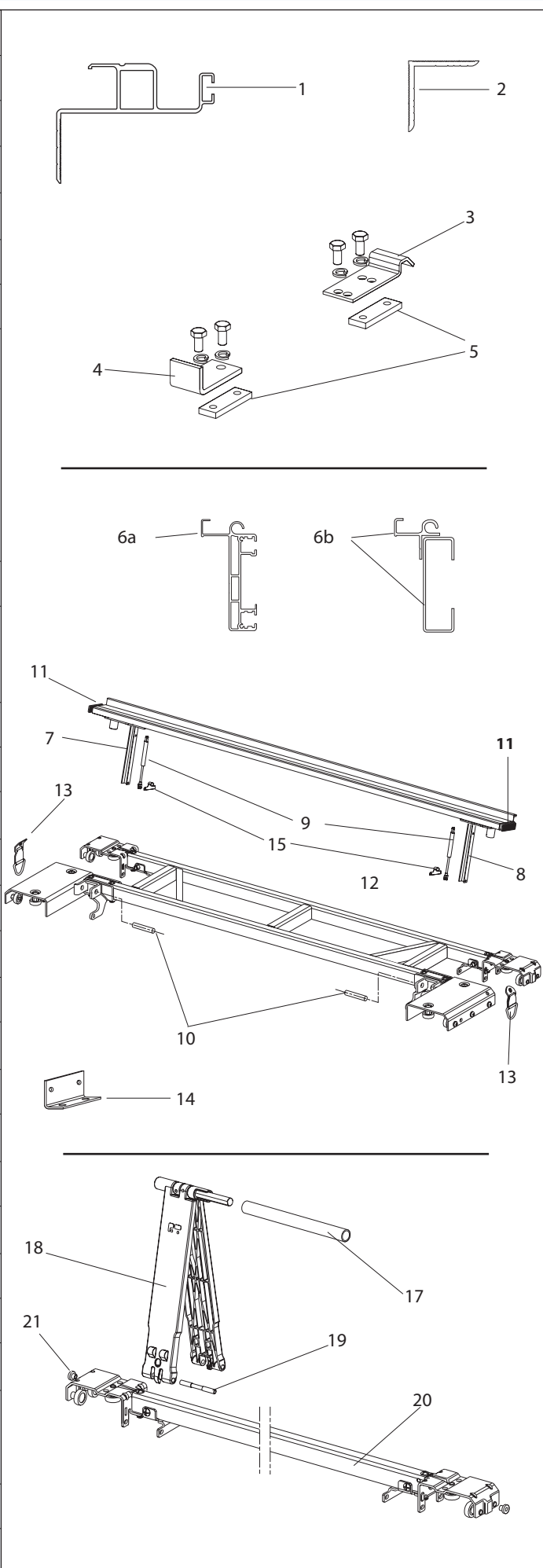
**Do naszych zestawów części nie wchodzi:** plandeka i drążek teleskopowy 3110388S.

*For our kits composition, see next pages, part number 1 to 22.*

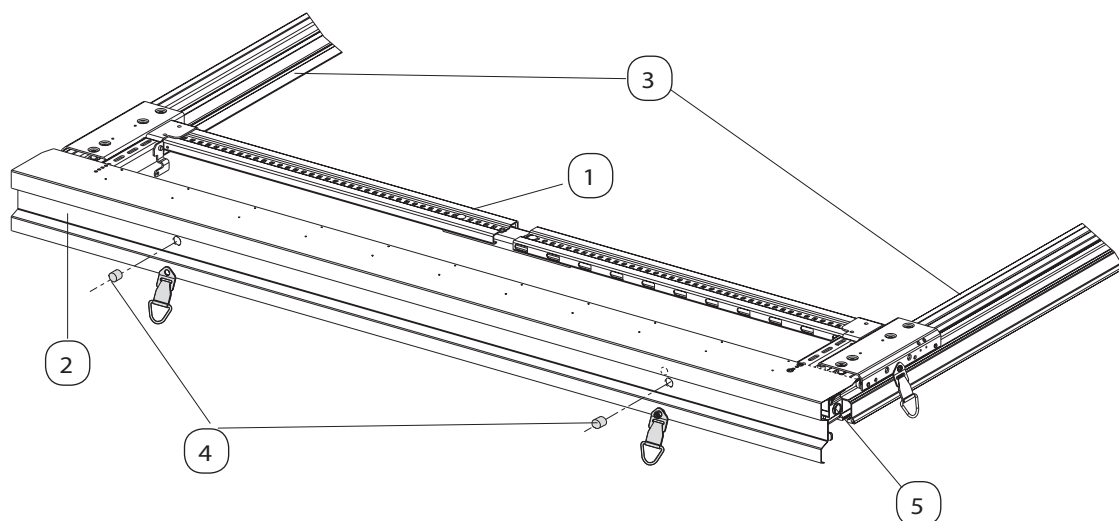
**The hooking cover and the telescopic pole 3110388S are not included in the kits.**

**DACH PRZESUWNY OPEN PLUS R - OPEN PLUS R ACCESSORIES**

| Poz. nr<br>Rep. | Opis<br>Designation   | Referencja<br>Reference            | Ilość<br>Qty |
|-----------------|---|------------------------------------|--------------|
| 1               | Profil dachu, aluminium, długość 5,30 m<br><i>Aluminium cantrail, lgth. 5,30 m</i>              | <b>3110025</b>                     | *            |
|                 | Profil dachu, aluminium, długość 7,60 m<br><i>Aluminium cantrail, lgth. 7,60 m</i>              | <b>3110027</b>                     | *            |
|                 | Profil dachu, aluminium, długość 9,60 m<br><i>Aluminium cantrail, lgth. 9,60 m</i>              | <b>3110029</b>                     | *            |
| 2               | Katownik, aluminium, długość 5,30 m<br><i>Aluminium angle profile 5,30 m lgth.</i>              | <b>3110030</b>                     | *            |
| 3               | Zderzak pałąka<br><i>Tilting pin</i>  | <b>3110053</b>                     | 2            |
| 4               | Zderzak końca skoku<br><i>Stop end stroke</i>   | <b>3110062</b>                     | 2            |
| 5               | Płytki<br><i>Fixing plate</i>   | <b>3110381</b>                     | 4            |
| 6a              | Poprzeczka aluminiowa<br><i>Aluminium rear header</i>   | <b>3110065</b>                     | 1            |
| lub/or          | Poprzeczka otwarta, stalowa<br><i>Steel rear opened header</i>                                  | <b>3110060</b>                     | 1            |
| 6b              | + Profil mocowania plandeki<br><i>+ hooking cover profile</i>                                   | <b>3110374</b>                     | 1            |
| 7               | Ramię wspornika poprzeczki, tylne, lewe<br><i>Rear header bar support device left</i>           | <b>3110055GA</b>                   | 1            |
| 8               | Ramię wspornika poprzeczki, tylne, prawe<br><i>Rear header bar support device right</i>         | <b>3110055DR</b>                   | 1            |
| 9               | Sprężyna gazowa<br><i>Gaz spring</i>  | <b>2043918H</b>                    | 2            |
| 10              | Sworzeń wspornika poprzeczki<br><i>Pin for header bar support</i>                               | <b>3110370AX</b>                   | 2            |
| 11              | Końcówka poprzeczki aluminiowej<br><i>End cap for aluminium header</i>                          | <b>3110383EM</b>                   | 2            |
| lub/or          | Podwójne przęsło tylne, zmontowane<br><i>End cap for steel header</i>                           | <b>3110384EM</b>                   | 2            |
| 12              | Pałąk podwójny, tylny, zmontowany<br><i>Aluminium double rear bow assembled</i>                 | <b>3110125AM</b>                   | 1            |
| 13              | Taśma manipulacyjna<br><i>Lashing strap</i>   | <b>3110375</b>                     | 2            |
| 14              | Wspornik rygla<br><i>Padlock support</i>  | <b>3110058</b>                     | 2            |
| 15              | Wspornik sprężyny gazowej do pałąka aluminiowego<br><i>Support-jack for aluminium bow</i>       | <b>3110057</b>                     | 2            |
| 16              | Zestaw złączy śrubowych<br><i>Screws set</i>  | <b>3110580KV</b>                   | 1            |
| 17              | Rura aluminiowa Ø 20 x 1,8 mm<br><i>Aluminium tube Ø 20 x 1,8 mm</i>                            | <b>3110359EX</b>                   | *            |
| 18              | Podnośnik przegubowy plandeki, zmontowany<br><i>Articulated lifting panel</i>                   | <b>3110367</b>                     | *            |
| 19              | Sworzeń podnośnika plandeki<br><i>Pin for lifting panel</i>                                     | <b>3110367AX</b>                   | *            |
| 20              | Pałąk pojedynczy aluminiowy 40 x 30, zmontowany<br><i>Aluminium cross bow 40 x 30 assembled</i> | <b>3110128AM</b>                   | *            |
| 21              | nit zrywany POP<br><i>Roof cover washer</i><br>+ nit zrywany POP<br><i>+ POP rivet</i>          | <b>3110369</b><br><b>5814151SE</b> | *            |
| 22              | Instrukcja montażu<br><i>Mounting instructions</i>  | <b>3110580FT</b>                   | 1            |
| *               | Ilości odpowiednie do długości dachu<br><i>Ilość zależna od długości nadwozia</i>               |                                    |              |



PRZÓD DACHU OTWIERANY I ZWIJACZ TYLNY - **SPECIAL ACCESSORIES**



**3110132**

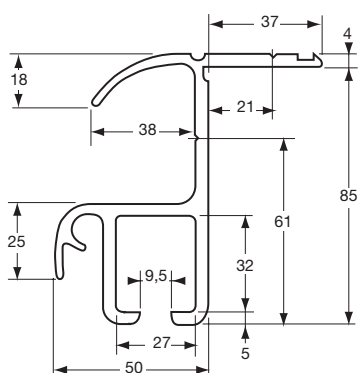
 43

Zestaw części montażowych do otwieranego przodu dachu przesuwne Open i Open Plus.

*Front opening kit for sliding roof Open and OpenPlus.*

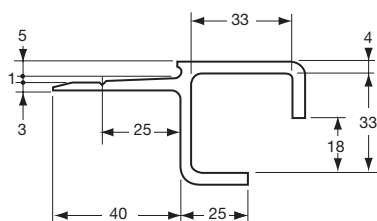
| Zawartość zestawu części / <i>Kit composition</i> |  |                                |                     |
|---|--|--------------------------------|---------------------|
| Poz. Nr<br><i>Part Nr</i>                         | Opis<br><i>Description</i>                           | Referencja<br><i>Reference</i> | Ilość<br><i>Qty</i> |
| 1   | Pałak stalowy<br><i>Steel bow</i>                    | <b>3110370</b>                 | 1                   |
| 2   | Oslona otwarcia<br><i>Opening bonnet</i>             | <b>3110132CA</b>               | 1                   |
| 3   | Ramię otwieranego przodu<br><i>Front opening bar</i> | <b>3110132BR</b>               | 2                   |
| 4   | Zestaw śrub<br><i>Screws set</i>                     | <b>3110132KV</b>               | 1                   |
| 5   | Zestaw uszczeltek<br><i>Tightness-joint</i>          | <b>1132395</b>                 | 3,20 m              |

AKCESORIA SPECJALNE - *SPECIAL ACCESSORIES*



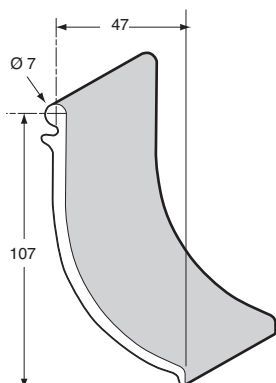
Profil dachu zewnętrzny, aluminium surowe.  
*Outer raw aluminium roof profile.*

| Nr katalog.<br>Reference | Długość<br>Length |
|--------------------------|-------------------|
| 3110226                  | 6,7               |
| 3110227                  | 8,3               |

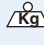


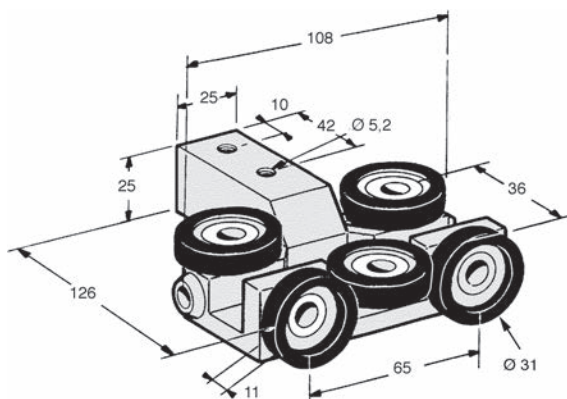
Profil dachu wewnętrzny, aluminium surowe.  
*Inter raw aluminium roof profile.*

| Nr katalog.<br>Reference | Długość<br>Length |
|--------------------------|-------------------|
| 3110230                  | 8,3               |

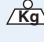


Profil okapu szary.  
*Grey P.V.C. flop profile.*

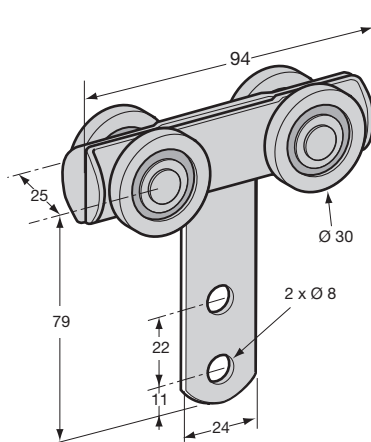
| Nr katalog.<br>Reference |  | Długość<br>Length |
|--------------------------|---|-------------------|
| 3110225                  | 17  | 27,4              |




Wózek do plandek przesuwanych ze wspornikiem aluminium i rolkami nylonowymi.  
*Trolley for sliding covers with aluminium bracket and nylon rollers.*

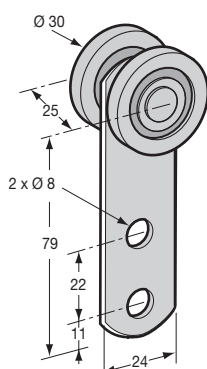
| Nr katalog.<br>Reference |  |
|--------------------------|---|
| 3110235                  | 0,35  |

AKCESORIA SPECJALNE - *SPECIAL ACCESSORIES*




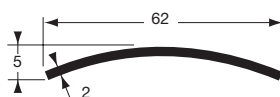
Wózek podwójny, stal cynkowana.  
*Zinc plated steel double trolley.*

| Nr katalog.<br><i>Reference</i> |  Kg |
|---------------------------------|--|
| 3110233                         | 0,205  |




Wózek pojedynczy, stal cynkowana.  
*Zinc plated steel simple trolley.*

| Nr katalog.<br><i>Reference</i> |  Kg |
|---------------------------------|--|
| 3110232                         | 0,115  |



Profil podnośnika plandeki, tworzywo.  
*Raise cover plastic profile.*

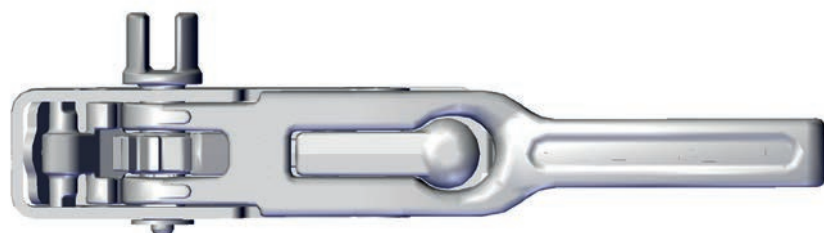
| Nr katalog.<br><i>Reference</i> |  Kg | Długość<br><i>Length</i> |
|---------------------------------|--|--------------------------|
| 3110246                         | 2  | 14                       |
| 3110263                         | 13   | 100                      |




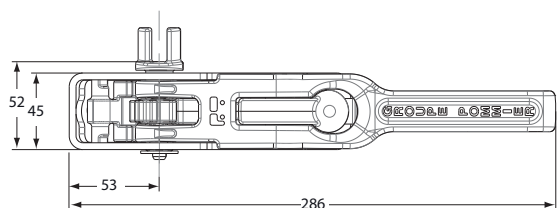
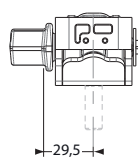
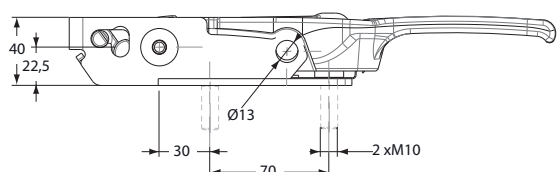
**NAPINACZE PLANDEKI - CURTAIN TENSIONERS**

Zapadkowy napinacz plandeki, Ø 25, rysunek przedstawia model prawy.

*Rawning tightener Ø 25, the visual represents the righthand side.*




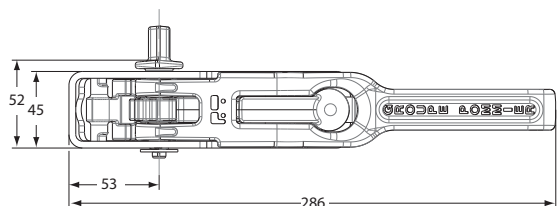
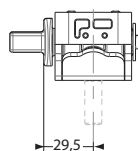
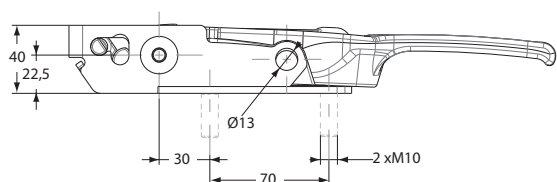
| Nr katalog.<br>Reference |  Kg | Ø  | Strona<br>Hand |
|--------------------------|--|----|----------------|
| 3110897                  | 1,570  | 25 | Lewa<br>Left   |
| 3110898                  | 1,570  | 25 | Prawa<br>Right |



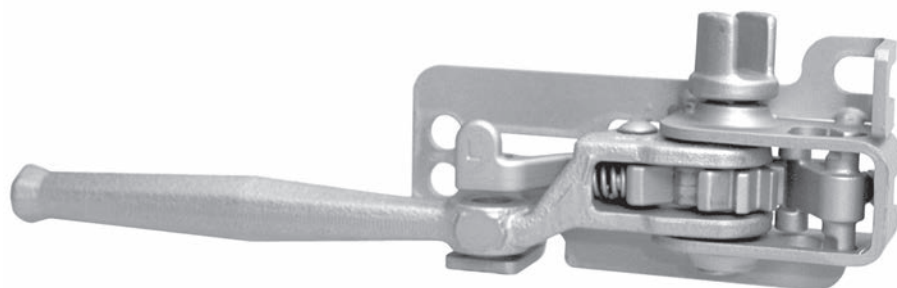
Zapadkowy napinacz plandeki z kwadratowym trzpieniem 12 x 12, rysunek przedstawia model prawy.

*Curtain tensioner 12 x 12 square, the visual represents the righthand side.*

| Nr katalog.<br>Reference |  Kg | Strona<br>Hand |
|--------------------------|--|----------------|
| 3110895                  | 1,540  | Lewa<br>Left   |
| 3110896                  | 1,540  | Prawa<br>Right |



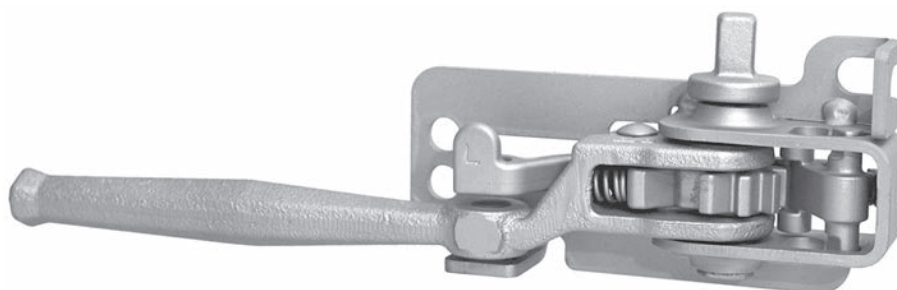
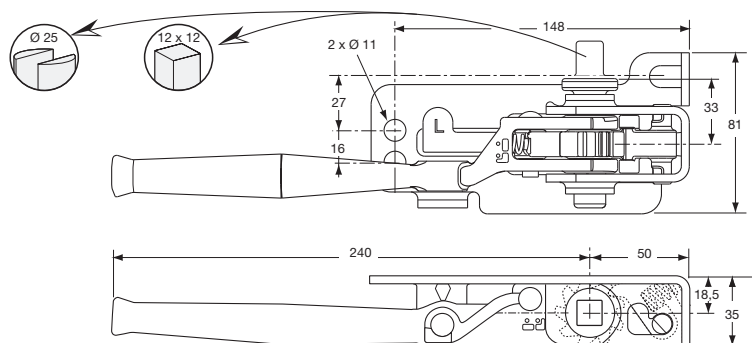
**NAPINACZE PLANDEKI - CURTAIN TENSIONERS**



Zapadkowy napinacz plandeki  $\varnothing 25$ , grubość 35 mm, stal zabezpieczona metodą galwaniczną/dacromet, rysunek przedstawia model lewy.

*Rawning tightener  $\varnothing 25$ , thickness 35 mm, galvanized/dacromet steel, the visual represents the lefthand side*

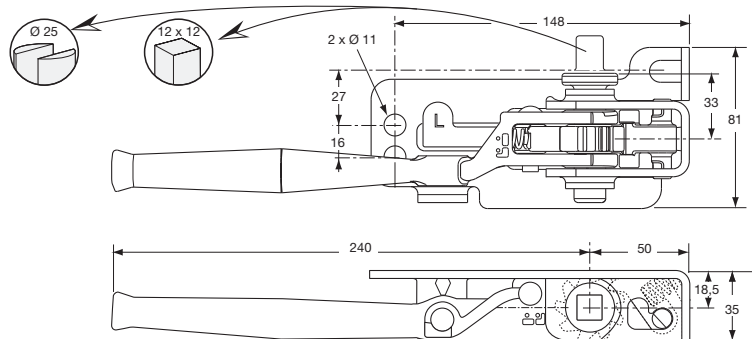
| Nr katalog.<br>Reference | $\frac{\sigma}{Kg}$ | $\varnothing$ | Grubość<br>Thickness | Strona<br>Hand |
|--------------------------|---------------------|---------------|----------------------|----------------|
| 3110875                  | 1,25                | 25            | 35                   | Prawa<br>Right |
| 3110876                  | 1,25                | 25            | 35                   | Lewa<br>Left   |



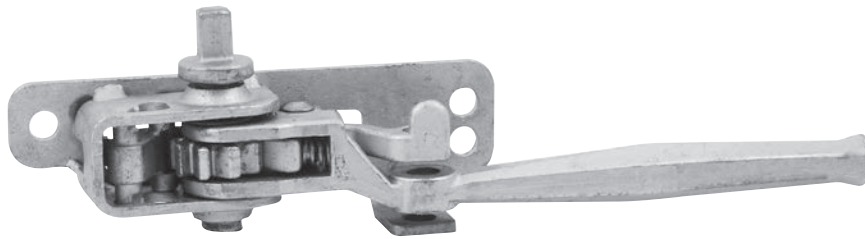
Zapadkowy napinacz plandeki z kwadratowym trzpieniem 12 x 12, szer. 35 mm, stal zabezpieczona metodą galwaniczną/dacromet, rysunek przedstawia model lewy.

*Rawning tightener 12 x 12 square, thickness 35 mm, galvanized/dacromet steel, the visual represents the lefthand side.*

| Nr katalog.<br>Reference | $\frac{\sigma}{Kg}$ | Grubość<br>Thickness | Strona<br>Hand |
|--------------------------|---------------------|----------------------|----------------|
| 3110877                  | 1,25                | 35                   | Prawa<br>Right |
| 3110878                  | 1,25                | 35                   | Lewa<br>Left   |



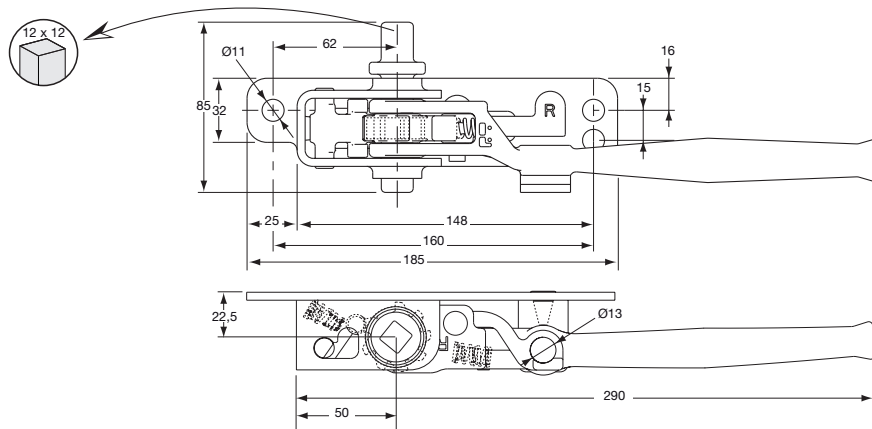
**NAPINACZE PLANDEKI - CURTAIN TENSIONERS**



Zapadkowy napinacz plandeki z kwadratowym trzpieniem 12 x 12, szer. 40 mm, stal zabezpieczona metodą galwaniczną/dacromet, rysunek przedstawia model prawy.

*Rawning tightener 12 x 12 square, thickness 40 mm, galvanized/dacromet steel. The visual represents the righthand side.*

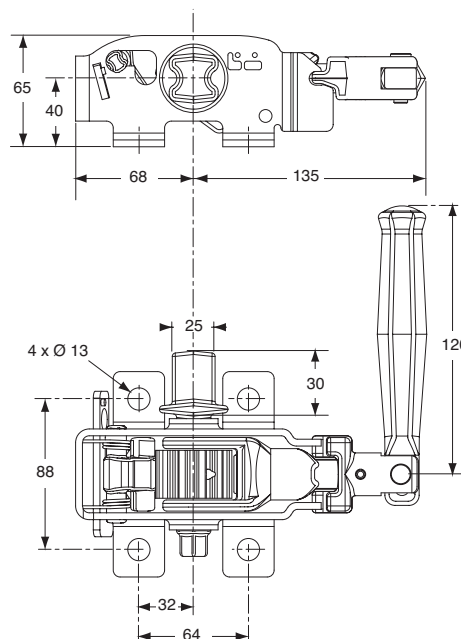
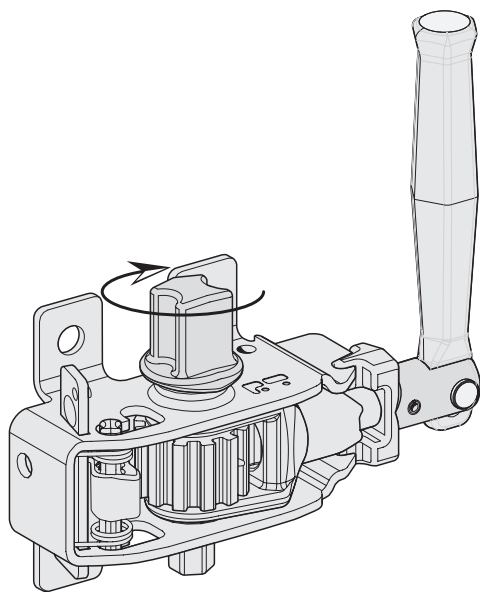
| Nr katalog.<br>Reference | kg    | Grubość<br>Thickness | Strona<br>Hand |
|--------------------------|-------|----------------------|----------------|
| 3110893                  | 1,295 | 40                   | Prawa<br>Right |
| 3110894                  | 1,295 | 40                   | Lewa<br>Left   |



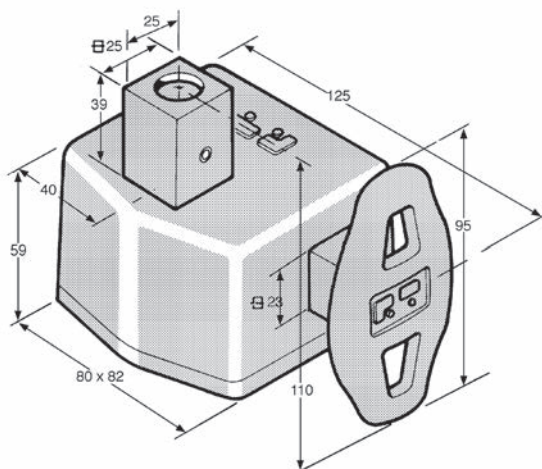
Mechanizm napinacza plandeki, stal cynkowana chromianowana, rysunek przedstawiam model lewy

*Curtain tensioner, zinc plated yellow passivated steel, the visual represents the lefthand side.*

| Nr katalog.<br>Reference | kg  | Strona<br>Hand |
|--------------------------|-----|----------------|
| 3110275DR                | 3,5 | Prawa<br>Right |
| 3110275GA                | 3,5 | Lewa<br>Left   |

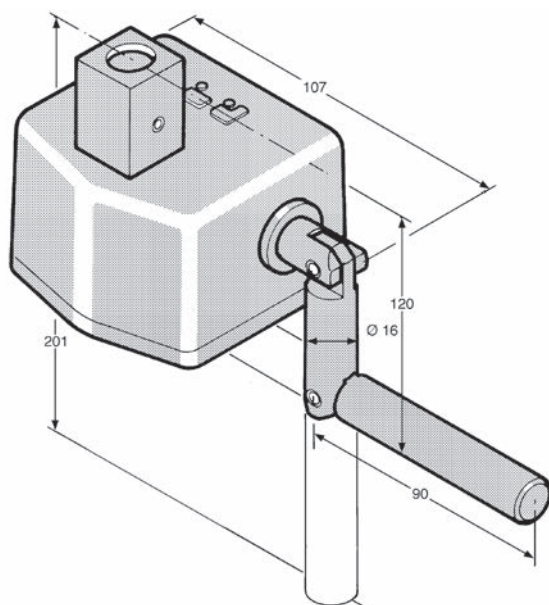


**NAPINACZE PLANDEKI - CURTAIN TENSIONERS**



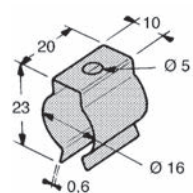
Napinacz plandeki z uchwytem, żeliwo cynkowane chromianowane. Nie spawać tej części. Rysunek przedstawia model prawy.  
*Cast iron rawning tightener with handle. Not to be welded. The visual represents the righthand side.*

| Nr katalog.<br>Reference | Kg  | Strona<br>Hand |
|--------------------------|-----|----------------|
| 3110234DR                | 2,1 | Prawa<br>Right |
| 3110234GA                | 2,1 | Lewa<br>Left   |



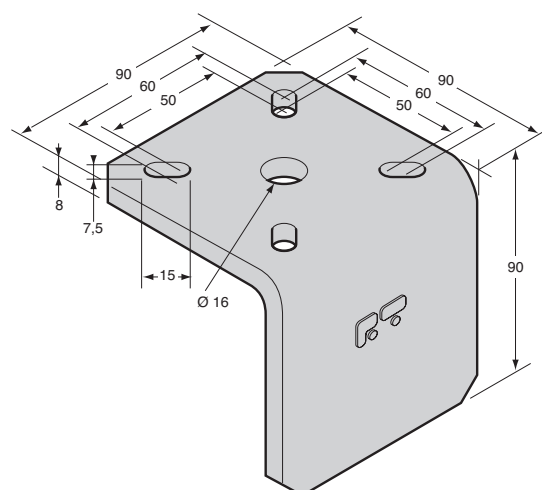
Napinacz plandeki z korbą, żeliwo cynkowane chromianowane. Nie spawać tej części. Rysunek przedstawia model prawy.  
*Cast iron rawning tightener with crank. Not to be welded. The visual represents the righthand side.*

| Nr katalog.<br>Reference | Kg   | Strona<br>Hand |
|--------------------------|------|----------------|
| 3110238DR                | 1,95 | Prawa<br>Right |
| 3110238GA                | 1,95 | Lewa<br>Left   |



Klamra ze stali cynkowanej dla 3110238DR, 3110238GA.  
*Zinc plated steel hook for 3110238DR, 3110238GA.*

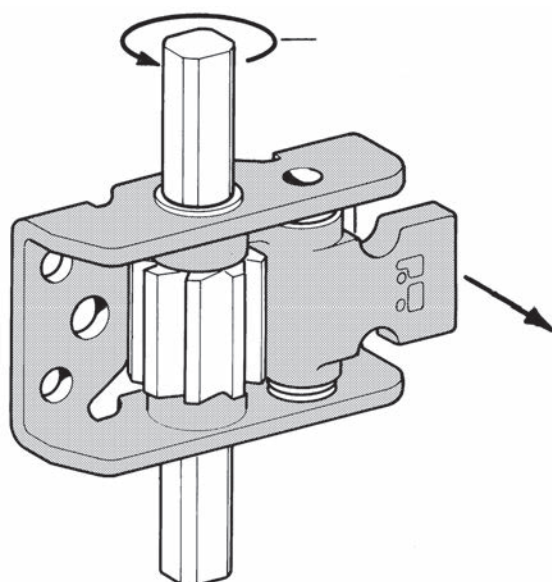
| Nr katalog.<br>Reference | Kg    |
|--------------------------|-------|
| 3110240                  | 0,005 |



Wspornik napinacza plandeki, stal cynkowana dla- 3110238DR, 3110238GA, 3110234DR, 3110234GA.  
*Zinc plated steel support for rawning tightener for 3110238DR, 3110238GA, 3110234DR, 3110234GA.*


| Nr katalog.<br>Reference | Kg   |
|--------------------------|------|
| 3110239                  | 0,95 |

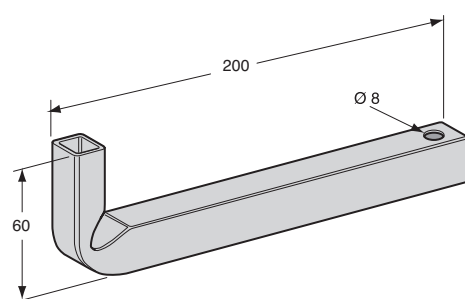
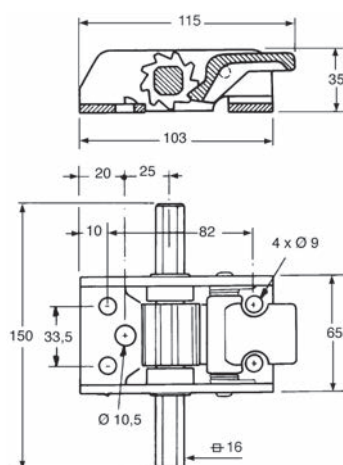
**NAPINACZE PLANDEKI - CURTAIN TENSIONERS**



Napinacz zapadkowy plandeki, grubość 35 mm, stal cynkowana i chromianowana.


*Rawning tightener, thickness 35 mm, yellow zinc plated steel.*

| Nr katalog.<br>Reference |  Kg |
|--------------------------|--|
| 3110262                  | 0,95   |



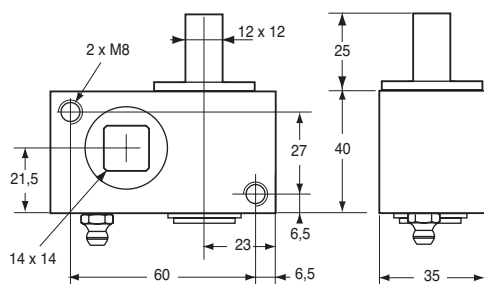
Klucz do napinacza plandeki, stal cynkowana i chromianowana.

*Key for Rawning tightener, yellow zinc plated steel.*

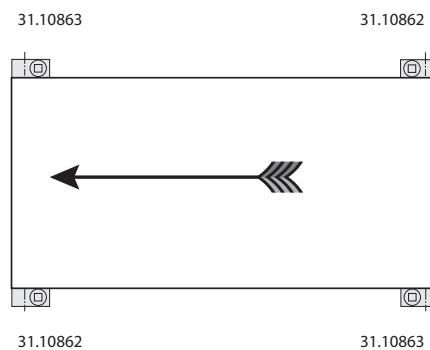
| Nr katalog.<br>Reference |  Kg | Dla<br>For |
|--------------------------|--|------------|
| 3110262CL                | 0,15   | 3110262    |

**NAPINACZE PLANDEKI - CURTAIN TENSIONERS**

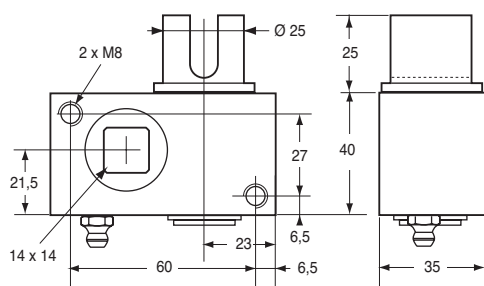
Napinacz plandeki z kwadratowym trzpieniem 12 x 12, stal w kataforezie, rysunek przedstawia model prawy.  
*Curtain tensioner 12 x 12 square, cataphoresis steel. The visual represents the righthand side.*



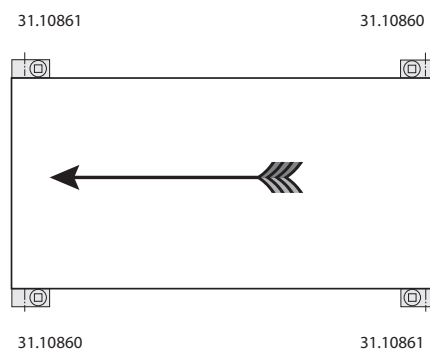
| Nr katalog.<br>Reference | Kg   | ☒  | Strona<br>Hand |
|--------------------------|------|----|----------------|
| 3110862                  | 0,69 | 12 | Prawa<br>Right |
| 3110863                  | 0,69 | 12 | Lewa<br>Left   |



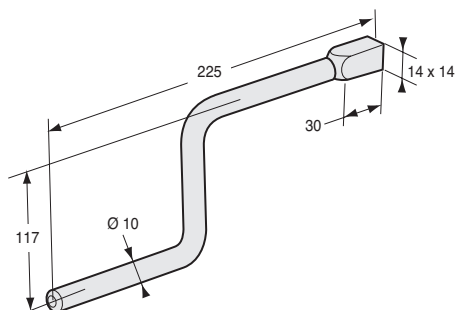
Napinacz plandeki Ø 25 stal w kataforezie, rysunek przedstawia model prawy.  
*Curtain tensioner Ø 25, cataphoresis steel, the visual represents the right side.*



| Nr katalog.<br>Reference | Kg   | ☒  | Strona<br>Hand |
|--------------------------|------|----|----------------|
| 3110860                  | 0,72 | 12 | Prawa<br>Right |
| 3110861                  | 0,72 | 12 | Lewa<br>Left   |

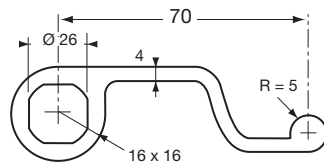
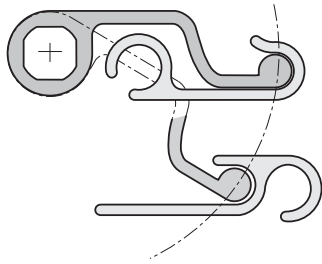


Klucz do napinacza plandeki, stal chromowa cynkowa.  
*Crank, yellow zinc plated for tensioner.*



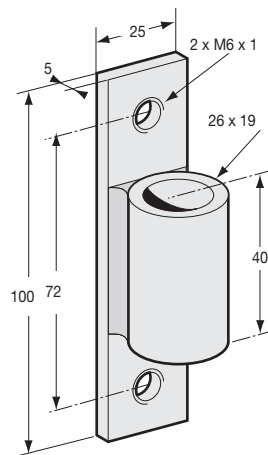
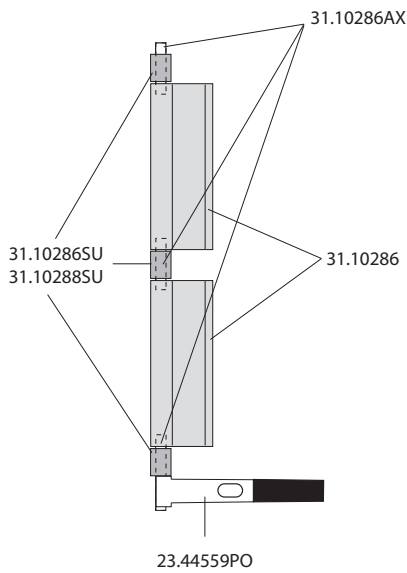
| Nr katalog.<br>Reference | Kg  | Dla<br>For                               |
|--------------------------|-----|--|
| 3110854                  | 0,3 | 3110860<br>3110861<br>3110862<br>3110863 |

**PROFILE DO ZAHACZANIA PLANDEKI I NAPRĘŻAJĄCE - *HANGING AND TENSIONING PROFILES***



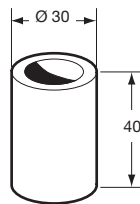
Profil naprężający 1/4 obrotu, aluminium surowe.  
*Aluminium profile for curtain tensioning, rotating 90°.*

| Nr katalog.<br><i>Reference</i> | Długość<br><i>Length</i> |
|---------------------------------|--------------------------|
| 3110286                         | 3,25                     |



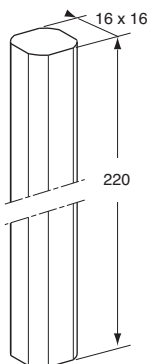
Tulejka do profilu 3110286, 3110287 przykręcana.  
*Bolt-on bracket for 3110286, 3110287 profile.*

| Nr katalog.<br><i>Reference</i> | $\frac{Kg}{m}$ |
|---------------------------------|----------------|
| 3110288SU                       | 0,24           |



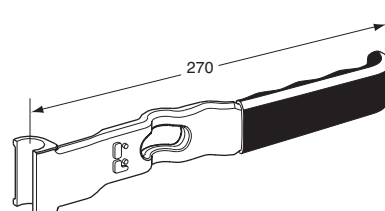
Tulejka do profilu 3110286, 3110287 do spawania.  
*Bearing, to weld, for 3110286, 3110287 profile.*

| Nr katalog.<br><i>Reference</i> | $\frac{Kg}{m}$ |
|---------------------------------|----------------|
| 3110286SU                       | 0,13           |



Trzpień do profilu 3110286, 3110287, stal cynkowana.  
*Zinc plated steel rod for 3110286, 3110287, profile.*

| Nr katalog.<br><i>Reference</i> | $\frac{Kg}{m}$ |
|---------------------------------|----------------|
| 3110286AX                       | 0,4            |

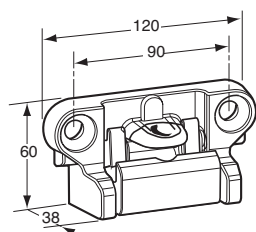


Klamka ze stali cynkowanej dla 3110286, 3110287.  
*Zinc plated steel handle for 3110286, 3110287.*

| Nr katalog.<br><i>Reference</i> | $\frac{Kg}{m}$ |
|---------------------------------|----------------|
| 2344559PO                       | 0,75           |

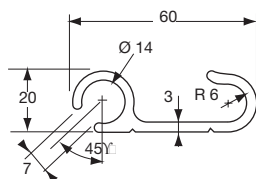


PROFILE DO ZAHACZANIA PLANDEKI I NAPRĘŻAJĄCE - *HANGING AND TENSIONING PROFILES*



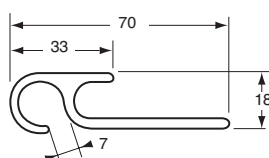
Rygiel klamki, żeliwo cynkowane dla 2344559PO.  
*Handle catch, zinc plated casting, for 2344559PO.*

| Nr katalog.<br><i>Reference</i> | <i>Kg</i> | Dla<br><i>For</i> |
|---------------------------------|-----------|-------------------|
| 2344522VP                       | 0,65      | 2344559PO         |



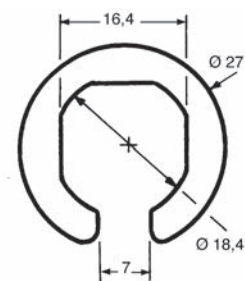
Profil do zaczeplania plandeki, aluminium surowe.  
*Hooking cover profile, raw aluminium.*

| Nr katalog.<br><i>Reference</i> | Długość<br><i>Length</i> |
|---------------------------------|--------------------------|
| 3110245                         | 3,25                     |
| 3110254                         | 2,5                      |



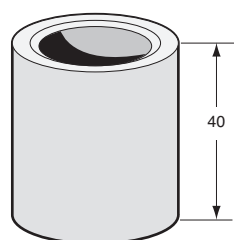
Profil do zaczeplania plandeki, aluminium surowe.  
*Hooking cover profile, raw aluminium.*

| Nr katalog.<br><i>Reference</i> | Długość<br><i>Length</i> |
|---------------------------------|--------------------------|
| 3110270                         | 2,5                      |
| 3110272                         | 3,25                     |



Profil do zaczeplania plandeki, aluminium surowe.  
*Tightener cover profile, raw aluminium.*

| Nr katalog.<br><i>Reference</i> | Długość<br><i>Length</i> |
|---------------------------------|--------------------------|
| 3110267                         | 3,25                     |

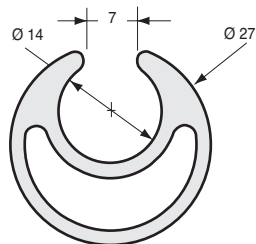


Pierścień stal dacomet dla 3110266 i 3110267.  
*Dacromet steel Bush for 3110266 and 3110267.*

| Nr katalog.<br><i>Reference</i> | <i>Kg</i> | Dla<br><i>For</i>  |
|---------------------------------|-----------|--------------------|
| 3110879BA                       | 0,06      | 3110266<br>3110267 |

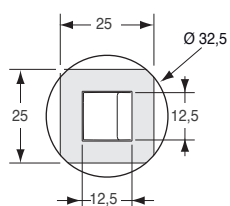


## PROFILE DO ZAHACZANIA PLANDEKI I NAPRĘŻAJĄCE - *HANGING AND TENSIONING PROFILES*



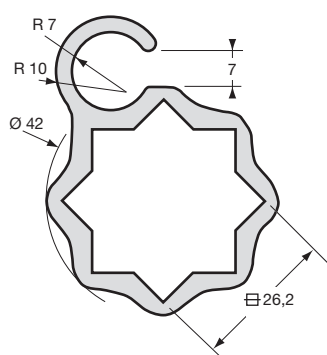
Profil zaczepu plandeki, surowe aluminium.  
*Tightener cover profile, self colour aluminium.*

| Nr katalog.<br>Reference | Ø  | Długość<br>Length |
|--------------------------|----|-------------------|
| 3110932                  | 27 | 3,25              |



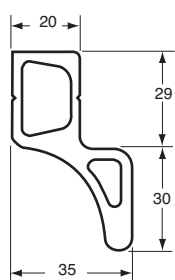
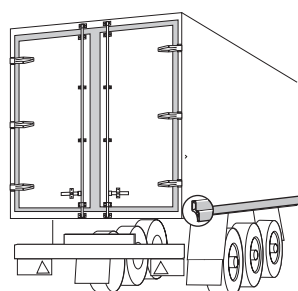
Profil napinacza plandeki z zamocowanym łącznikiem napinacza 12 x 12 mm Nr. 3110927.  
*Curtain tensioning profil assembly with 12 x 12 mm connector ref. 3110927.*

| Nr katalog.<br>Reference | $\frac{\text{kg}}{\text{m}}$ | Długość<br>Length |
|--------------------------|------------------------------|-------------------|
| 3110937                  | 2,39                         | 3,29              |



Profil napinacza plandeki, aluminium surowe.  
*Tightener cover profile raw aluminium.*

| Nr katalog.<br>Reference | Długość<br>Length |
|--------------------------|-------------------|
| 3110247                  | 3,25              |
| 3110249                  | 2,5               |



Profil boczny zaczepu plandeki, surowe aluminium.  
*Hooking lateral raw aluminium profile.*

| Nr katalog.<br>Reference | Długość<br>Length |
|--------------------------|-------------------|
| 3110256                  | 3,20              |

**PROFILE DO ZAHACZANIA PLANDEKI I NAPRĘŻAJĄCE - HANGING AND TENSIONING PROFILES**



Profil haczenia plandeki.  
Plastic profile to fix tarpaulin.

| Nr katalog.<br>Reference | $\frac{Kg}{m}$ | Długość<br>Length |
|--------------------------|----------------|-------------------|
| 3110273                  | 0,25           | 3200              |

**ŁĄCZNIKI I AKESORIA - CONNECTORS AND ACCESSORIES**



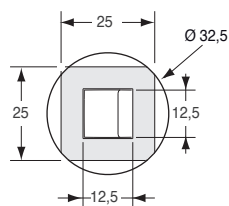
Łącznik kompletny, stal dakromet, dla napinaczy kwadratowych 12 x 12 i profil 3110132.  
Compleat connector geomet steel for curtain tensioner 12 x 12 and profil 3110132.

| Nr katalog.<br>Reference | Dla<br>For | Skład<br>Composition |
|--------------------------|------------|----------------------|
| 3110927                  | 3110862    | 3110927CS x1         |
|                          | 3110863    | 3110879GO x1         |
|                          | 3110877    |                      |
|                          | 3110878    |                      |
|                          | 3110893    |                      |
|                          | 3110894    |                      |
|                          | 3110895    |                      |
|                          | 3110896    |                      |



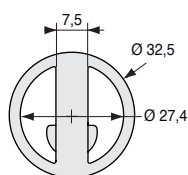
Łącznik kompletny, stal dakromet, dla napinaczy Ø 25 mm i profilu 3110932.  
Compleat connector, geomet steel for curtain tensioner Ø 25 mm and profil 3110932.

| Nr katalog.<br>Reference | $\frac{Kg}{m}$ | Dla<br>For | Skład<br>Composition |
|--------------------------|----------------|------------|----------------------|
| 3110928                  | 0,145          | 3110860    | 3110879GO x 1        |
|                          |                | 3110861    | 3110928CS x 1        |
|                          |                | 3110875    |                      |
|                          |                | 3110876    |                      |
|                          |                | 3110897    |                      |
|                          |                | 3110898    |                      |
|                          |                | 3110932    |                      |



Łącznik sam, stal dakromet.  
Connector only, geomet steel.

| Nr katalog.<br>Reference |
|--------------------------|
| 3110927CS                |



Łącznik sam, stal dakromet.  
Connector only, geomet steel.

| Nr katalog.<br>Reference |
|--------------------------|
| 3110928CS                |

**ŁĄCZNIKI I AKCESORIA - CONNECTORS AND ACCESSORIES**


Kolek rozporowy.

*Pin.*

Nr katalog.  
*Reference*

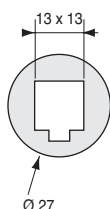
3110879GO



Nasadka górna Ø 27, stal dakromet, dla profilu.

*Steel upper end fitting Ø 27, geomet steel, for aluminium profile.*

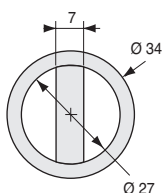
| Nr katalog.<br><i>Reference</i> | $\frac{\text{Kg}}{\Delta}$ | Ø  | Dla<br><i>For</i>                        |
|---------------------------------|----------------------------|----|--|
| 3110925                         | 0,159                      | 27 | 3110932<br>3110936<br>3110937<br>3110942 |



Łącznik do napinacza 12 x 12 mm, mosiądz surowy i profilu 3110932.

*Brass plug for tensioners 12 x 12 and profile 3110932.*

| Nr katalog.<br><i>Reference</i> | $\frac{\text{Kg}}{\Delta}$ | Ø  | Dla<br><i>For</i>   |
|---------------------------------|----------------------------|----|---|
| 3110864                         | 0,145                      | 27 | 3110862<br>3110863<br>3110877<br>3110878<br>3110893<br>3110894<br>3110895<br>3110896<br>3110932 |



Łącznik, mosiądz surowy, do napinacza Ø 25 mm 3110860/861/875/876 i profilu 3110932.

*Brass plug for tensioners Ø25 mm 3110860/861/875/876 and profile 3110932.*

| Nr katalog.<br><i>Reference</i> | $\frac{\text{Kg}}{\Delta}$ | Ø  | Dla<br><i>For</i>   |
|---------------------------------|----------------------------|----|---|
| 3110866                         | 0,19                       | 34 | 3110860<br>3110861<br>3110875<br>3110876<br>3110897<br>3110898<br>3110932 |

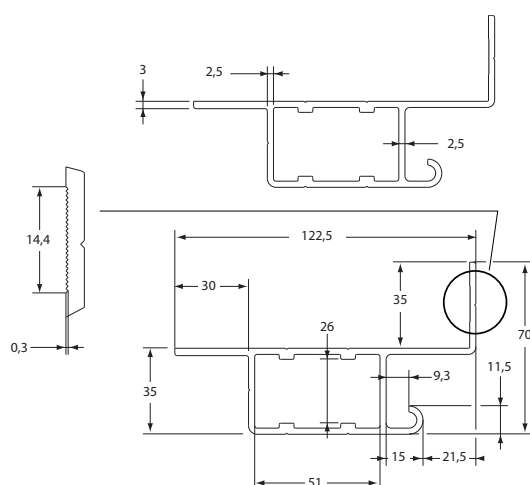


Nasadka górna Ø 27, do profilu 3110932 mosiądz surowy.

*Brass upper end fitting Ø 27 for aluminium profile 3110932.*

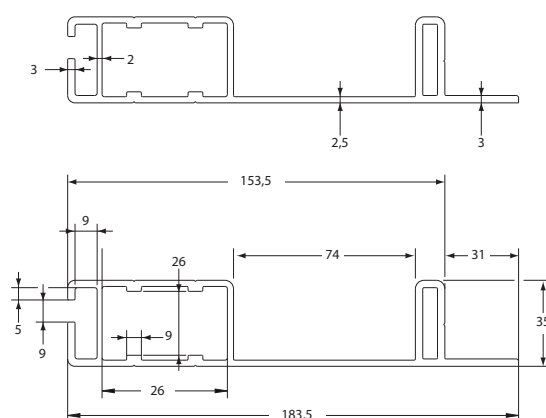
| Nr katalog.<br><i>Reference</i> | $\frac{\text{Kg}}{\Delta}$ | Ø  | Dla<br><i>For</i>                        |
|---------------------------------|----------------------------|----|--|
| 3110865                         | 0,155                      | 27 | 3110932<br>3110936<br>3110937<br>3110942 |

**KŁONICE ALUMINIOWE DLA POJAZDÓW 3,5 T - SLIDING ALUMINIUM PILLARS FOR 3.5 T VEHICLES**



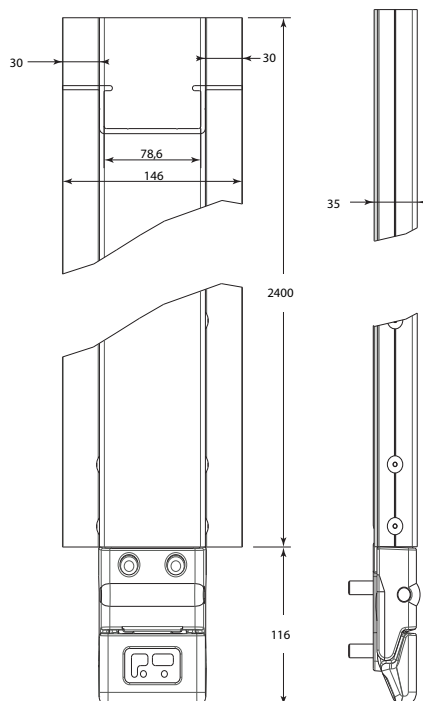
Profil kłonicy przedni, aluminium surowe.  
*Front pillar profile, raw aluminium.*

| Nr katalog.<br>Reference | Kg    | Długość<br>Length |
|--------------------------|-------|-------------------|
| 3110010                  | 2,190 | 5200              |



Profil kłonicy tylny, aluminium surowe.  
*Rear pillar profile, raw aluminium.*

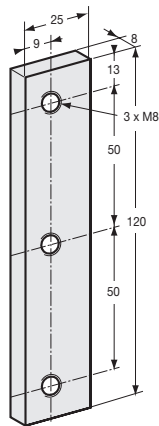
| Nr katalog.<br>Reference | Kg    | Długość<br>Length |
|--------------------------|-------|-------------------|
| 3110011                  | 3,021 | 5200              |



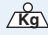
Kłonica przesuwana 3,5 T z zaczepem, aluminium surowe.  
*Aluminium 3,5 T sliding pillar, with keeper.*

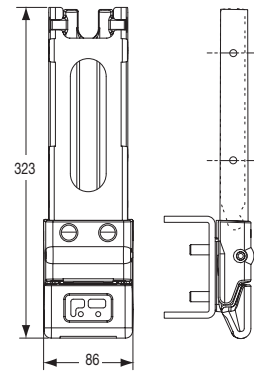
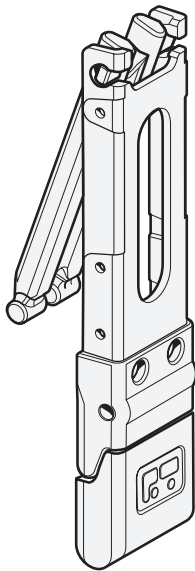
| Nr katalog.<br>Reference | Kg    | Wysokość<br>Height |
|--------------------------|-------|--------------------|
| 3544036                  | 10,72 | 2516               |

**KŁONICE ALUMINIOWE DLA POJAZDÓW 3,5 T - SLIDING ALUMINIUM PILLARS FOR 3.5 T VEHICLES**

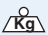


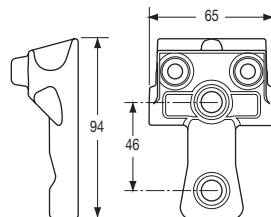
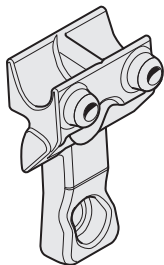
Płytki ze stali cynkowanej, do słupa tylnego 3110011.  
*Zinc plated steel dropside hinge for 3110011 rear pillar.*

| Nr katalog.<br>Reference |  Kg | Dla<br>For |
|--------------------------|--|------------|
| 3110021BA                | 0,3  | 3110011    |

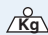


Mechanizm kompletny, stal w kataforezie, z podstawą, dla pojazdu 3,5 T.  
*KTL steel mechanism for 3,5 T vehicle, with keeper.*

| Nr katalog.<br>Reference |  Kg |
|--------------------------|--|
| 3544031                  | 3,46   |



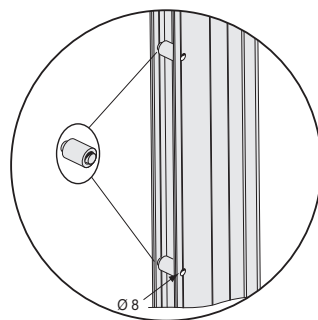
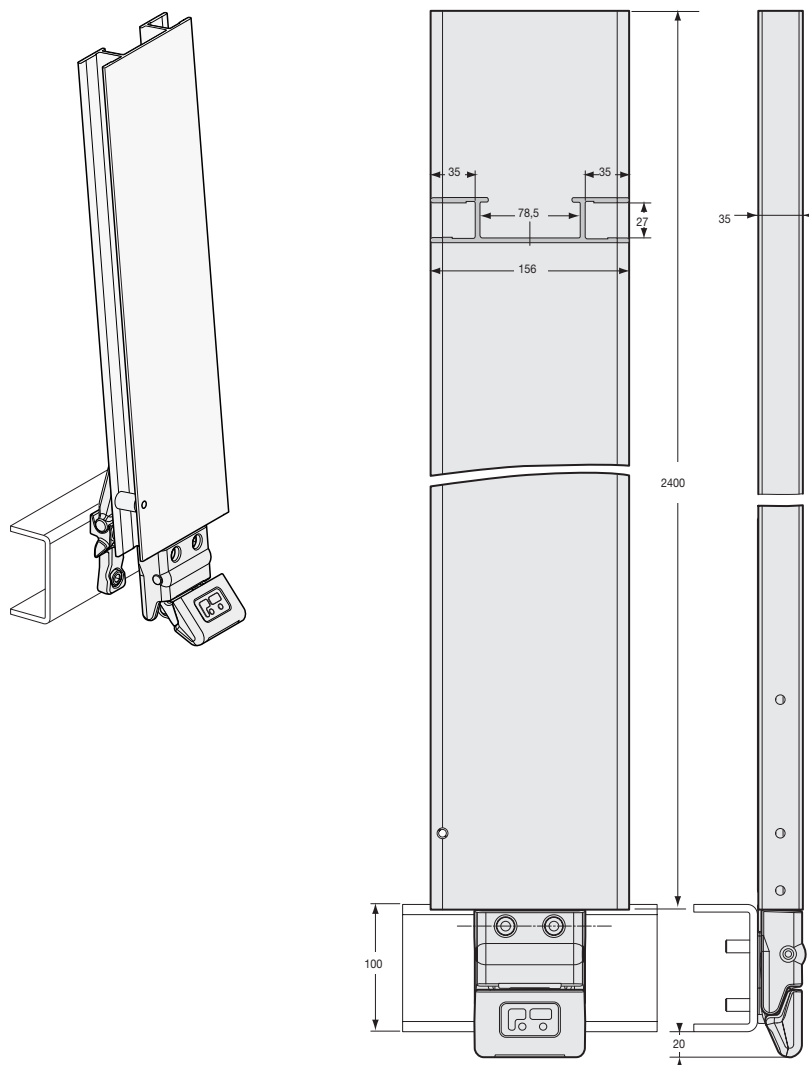
Zaczepek, stal w kataforezie.  
*Keeper, KTL steel.*

| Nr katalog.<br>Reference |  Kg |
|--------------------------|--|
| 3544030GA                | 0,36   |

KŁONICE ALUMINIOWE DLA POJAZDÓW 3,5 T - SLIDING ALUMINIUM PILLARS FOR 3,5 T VEHICLES

Kłonica przesuwna z surowego aluminium do pojazdu 3,5 T, z podstawą.  
*Self colour aluminium pillar for 3,5 T vehicle, with keeper.*

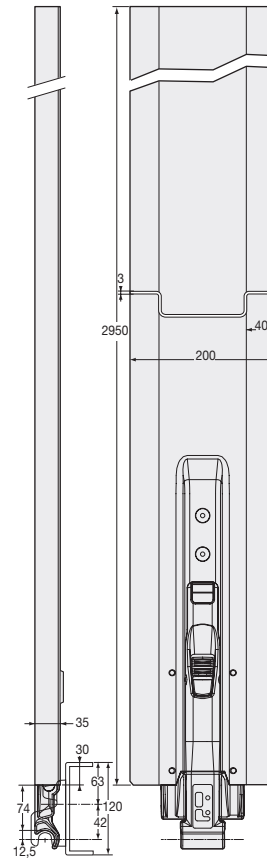
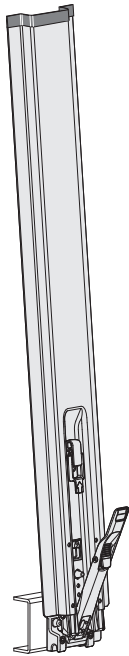
| Nr katalog.<br>Reference | Kg    | Wysokość<br>Height |
|--------------------------|-------|--------------------|
| 3544030                  | 10,72 | 2516               |



Rozpórka, nylon, i kołek.  
*Nylon brass and pin.*

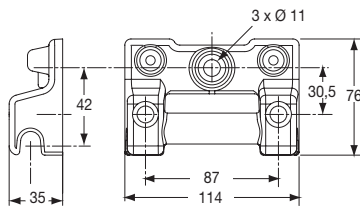
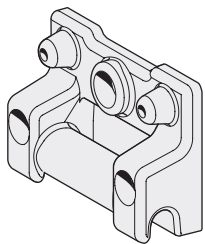
| Nr katalog.<br>Reference | Kg    |
|--------------------------|-------|
| 3544034                  | 0,025 |

**KŁONICE PRZESUWNE STALOWE - SLIDING STEEL PILLARS**



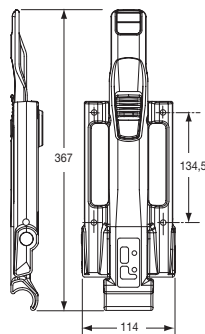
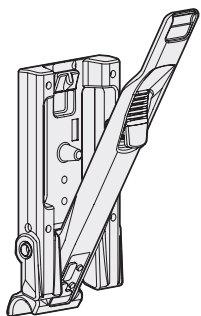
Kłonica przesuwna, stal surowa, z podstawą 3544100GA.  
*Sliding pillar, self colour steel, with 3544100GA keeper.*

| Nr katalog.<br>Reference | KG   | Długość<br>Length |
|--------------------------|------|-------------------|
| 3544101                  | 21,5 | 2950              |



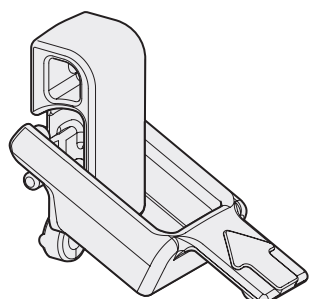
Zaczepek, stal w kataforezie. Umocowanie zaczepeku 3 śrubami CHC M10 klasa 8.8, dokręcanie 50 Nm.  
*KTL steel keeper. Fixing of the keeper by 3 screws CHC M10, class 8.8, 50 Nm torque.*

| Nr katalog.<br>Reference | KG  |
|--------------------------|-----|
| 3544100GA                | 0,7 |



Mechanizm kompletny zamka, stal w kataforezie, z podstawą 3544100GA.  
*KTL steel mechanism, with 3544100GA keeper.*

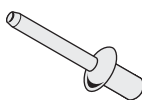
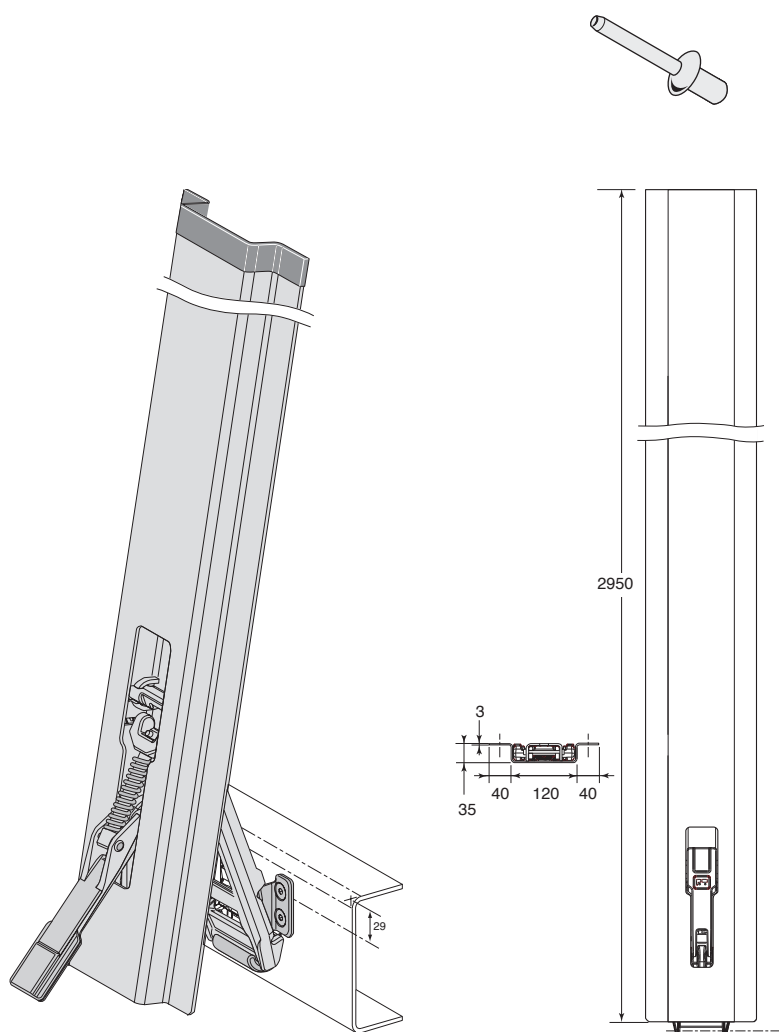
| Nr katalog.<br>Reference | KG  | Dla<br>For |
|--------------------------|-----|------------|
| 3544104                  | 3,8 | 3544100GA  |



Zespół zamka bezpieczeństwa do kłownicy 3544101, stal cynkowana.  
*Locking catch, zinc plated steel, for sliding pillar 3544101.*

| Nr katalog.<br>Reference | KG   | Dla<br>For |
|--------------------------|------|------------|
| 3544102VS                | 0,32 | 3544101    |

KŁONICE PRZESUWNE STALOWE - SLIDING STEEL PILLARS



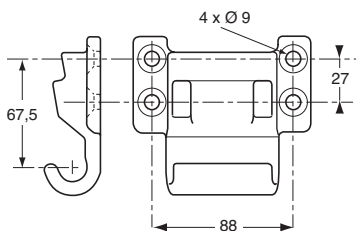
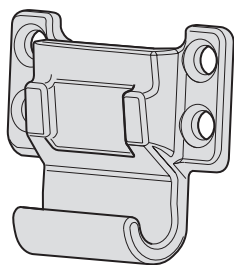
Nit Ø 6,4, do mocowania mechanizmu 3544104 i/lub zamka bezpieczeństwa 3544102VS.

Ø 6,4 rivet for mechanism 3544104 and/or locking flap 3544102VS.

| Nr katalog.<br>Reference | $\triangle$ Kg | Ø   | Dla<br>For           |
|--------------------------|----------------|-----|----------------------|
| 5871261VA                | 0,015          | 6,4 | 3544104<br>3544102VS |

Kłonica przesuwna, stal surowa, z podstawą 3544050GA.  
Sliding pillar, self colour HLE steel, with keeper 3544050GA.

| Nr katalog.<br>Reference | $\triangle$ Kg | Długość<br>Length |
|--------------------------|----------------|-------------------|
| 3544051                  | 22,5           | 2950              |

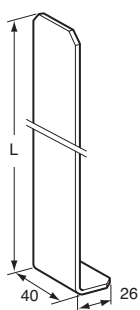


Zaczepek stalowy, cynkowany.  
Keeper, zinc plated steel.

| Nr katalog.<br>Reference | $\triangle$ Kg |
|--------------------------|----------------|
| 3544050GA                | 0,75           |

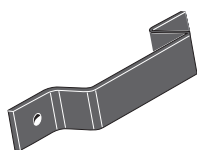
Błaszka nadstawki, grubość 2,5 mm, stal surowa.  
Self colour steel mounting bracket, 2,5 mm thickness.

| Nr katalog.<br>Reference | $\triangle$ Kg | L<br>(mm) |
|--------------------------|----------------|-----------|
| 3544005                  | 0,14           | 150       |
| 3544006                  | 0,4            | 450       |





**KŁONICE PRZESUWNE STALOWE - SLIDING STEEL PILLARS**



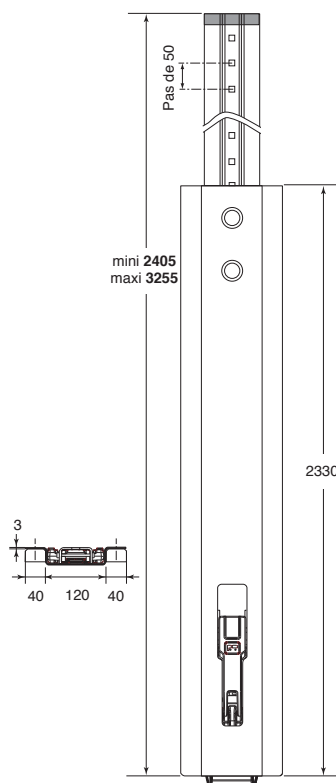
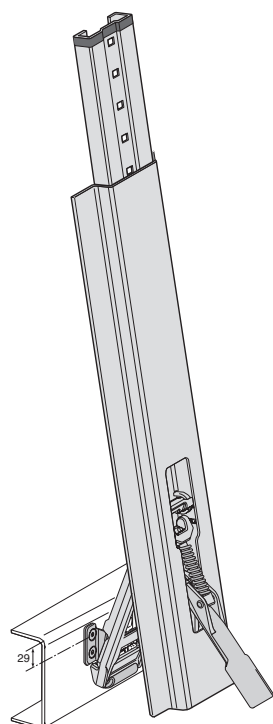
Zabezpieczenie górnej części kłonicy przesuwnej.  
*Sliding pillar top protection.*

Nr katalog.  
*Reference*



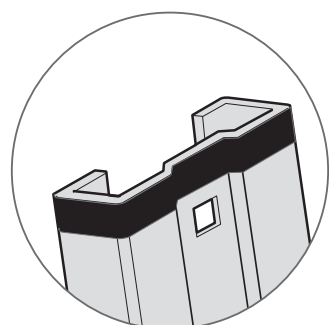
**3544016**

0,038



Kłonica przesuwna o regulowanej wysokości, stal w kataforezie, z cynkowanym suwakiem i podstawą.  
*Sliding pillar with elevation, black epoxy primer steel, with galvanized runner and keeper.*

| Nr katalog.<br><i>Reference</i> | <i>KG</i> | Długość<br><i>Length</i> |
|---------------------------------|-----------|--------------------------|
| <b>3544073</b>                  | 24        | 2405<br>do / to<br>3255  |



Zabezpieczenie części górnej kłonicy wielopozycyjnej.  
*End cap for extension for sliding pillar.*

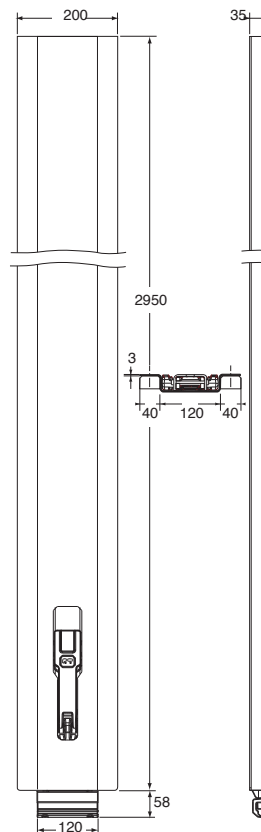
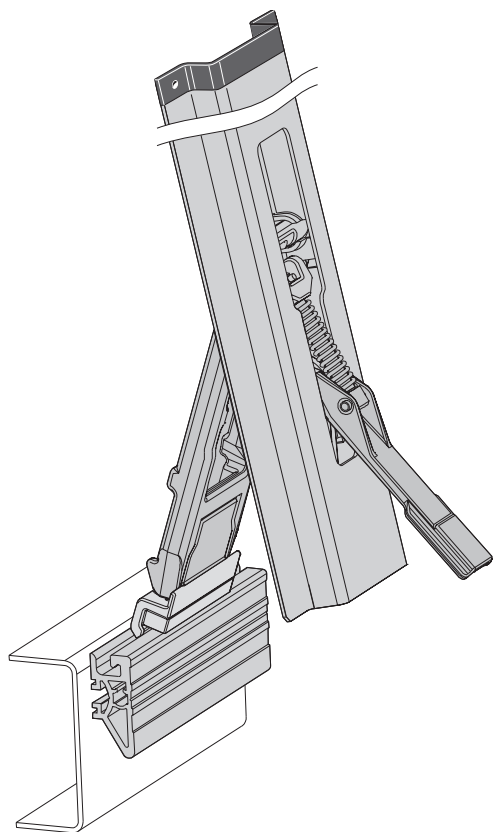
Nr katalog.  
*Reference*



**3544009EP**

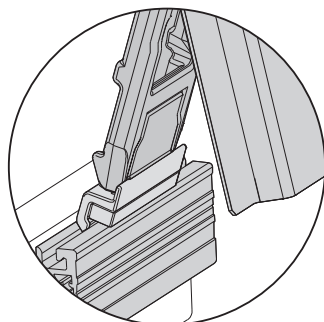
0,035

**KŁONICE PRZESUWNE STALOWE - SLIDING STEEL PILLARS**



Kłonica przesuwna wielopozycyjna, ze stali surowej.  
*Multiposition sliding pillar, self colour steel.*

| Nr katalog.<br>Reference | Kg   | Długość<br>Length |
|--------------------------|------|-------------------|
| 3544070                  | 22,5 | 2950              |

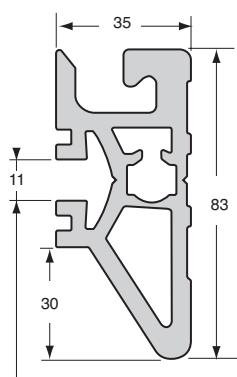


Zestaw części do przeróbki kłownicy na wielopozycyjną.  
*Transformation kit for multiposition sliding pillar.*

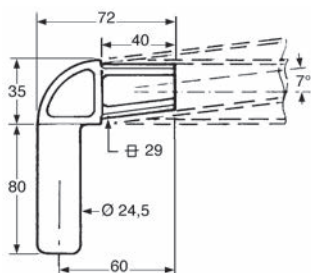
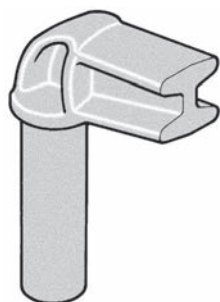
| Nr katalog.<br>Reference | Kg    |
|--------------------------|-------|
| 3544025                  | 0,615 |

Szyna z surowego aluminium do kłownicy przesuwnej wielopozycyjnej.  
*Raw aluminium track profile for multiposition sliding pillar.*


| Nr katalog.<br>Reference | Długość<br>Length |
|--------------------------|-------------------|
| 3110274                  | 4,6               |

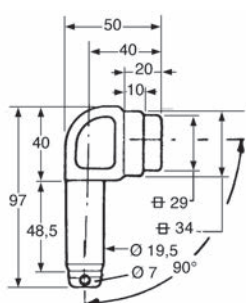
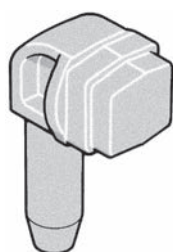


**AKCESORIA POKRYCIA DACHOWEGO - ROOF ACCESSORIES**



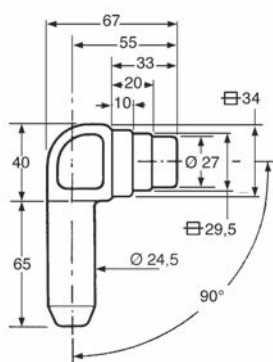
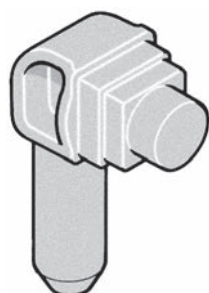
Końcówka pałaka plandeki, stal surowa.  
*End fitting for tilt cross members, self colour steel.*

| Nr katalog.<br>Reference |  Kg |
|--------------------------|--|
| 3543649                  | 0,52   |

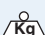


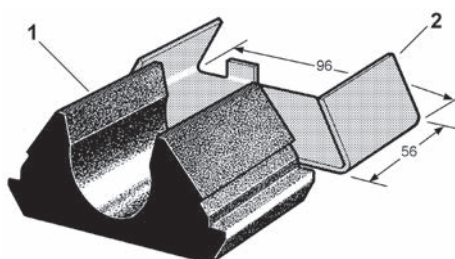
Końcówka pałaka plandeki, stal surowa.  
*End fitting for tilt cross members, self colour steel.*

| Nr katalog.<br>Reference |  Kg |
|--------------------------|--|
| 3543652                  | 0,415  |




Końcówka pałaka plandeki, stal surowa.  
*End fitting for tilt cross members, self colour steel.*

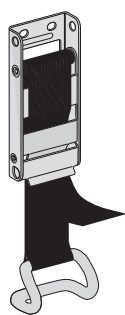
| Nr katalog.<br>Reference |  Kg |
|--------------------------|--|
| 3543654                  | 0,615  |



Prowadnica podłużnicy plandeki dla rury Ø 34 lub 35 mm, kompletna.  
*Roof member bracket for tube Ø 34 or 35 mm.*

| Nr katalog.<br>Reference |  Kg | Typ<br>Type |
|--------------------------|--|-------------|
| 3543647                  | 0,247  | -           |
| 3543647GU                | 0,95   | 1           |
| 3543647SU                | 0,152  | 2           |

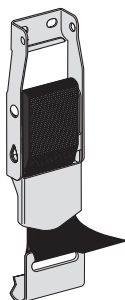
AKCESORIA DO PLANDEK - CURTAIN ACCESSORIES



Napinacz kompletny z zabezpieczeniem i hakiem, długość taśmy 0,80 m.

*Complete curtain strapping system, 0,80 m length.*

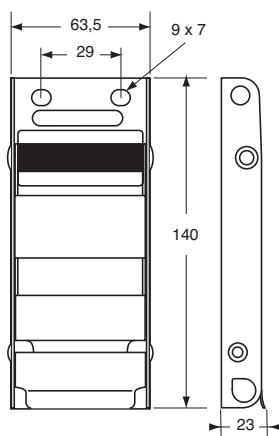
| Nr katalog.<br>Reference | Kg   | Długość<br>Length |
|--------------------------|------|-------------------|
| 3655054                  | 0,52 | 0,8               |



Napinacz kompletny bez zabezpieczenia z uchem płaskim ze stali nierdzewnej i paskiem o długości 0,62 m.

*Complete curtain strapping system without safety device, stainless steel hook, 0,62 m length.*

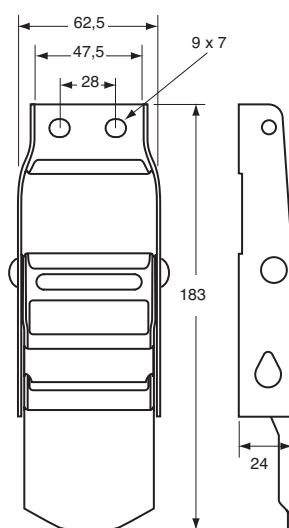
| Nr katalog.<br>Reference | Kg   | Długość<br>Length |
|--------------------------|------|-------------------|
| 3655052                  | 0,32 | 0,62              |



Napinacz z bezpiecznikiem, stal nierdzewna.

*Buckle with safety device, stainless steel.*

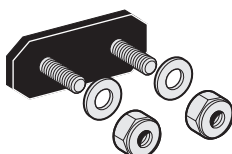
| Nr katalog.<br>Reference | Kg    |
|--------------------------|-------|
| 3655050                  | 0,315 |



Napinacz bez zabezpieczenia, stal nierdzewna.

*Buckle without safety device, stainless steel.*

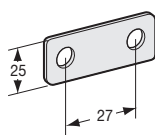
| Nr katalog.<br>Reference | Kg    |
|--------------------------|-------|
| 3655051                  | 0,025 |




Zacisk do mocowania, śruby i nakrętki, nierdzewne.

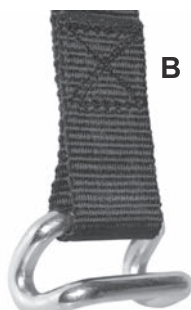
*Fixing plate with screws and bolts, stainless steel.*

| Nr katalog.<br>Reference | Kg   |
|--------------------------|------|
| 3655039                  | 0,23 |


**AKCESORIA DO PLANDEK - CURTAIN ACCESSORIES**


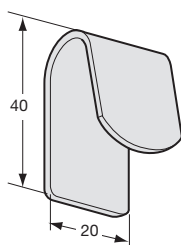
Podkładka dociskowa nierdzewna.  
*Counter plate, stainless steel.*

| Nr katalog.<br>Reference |  |
|--------------------------|---|
| 3655038                  | 0,012   |




**A**

**B**

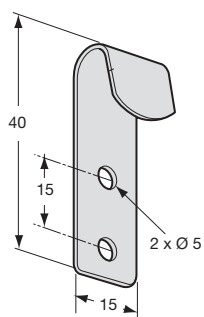
Taśma do zaczepliania dołu firanek.  
*Lashing strap of down curtains.*

| Nr katalog.<br>Reference |  | Długość<br>Length | Typ<br>Type |
|--------------------------|---|-------------------|-------------|
| 3655030                  | 0,180   | 800               | B           |
| 3655031                  | 0,210   | 1300              | B           |
| 3655032                  | 0,145   | 800               | A           |
| 3655033                  | 0,170   | 1300              | A           |


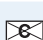


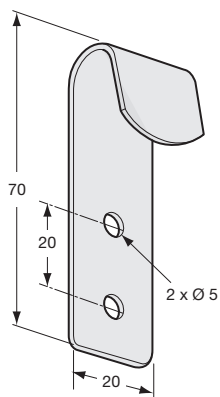
Haczyk plandeki do przyspawania.  
*Cover hook to be welded.*

| Nr katalog.<br>Reference |  |  | Zakończyć<br>Finish       |
|--------------------------|--|--|---------------------------|
| 5000451BR                | 0,023  | 250  | Brutto<br>Raw             |
| 5000451ZI                | 0,023  | 250  | Ocynkowana<br>Zinc plated |





Haczyk plandeki, do nitowania, stal cynkowa.  
*Steel cover hook to be riveted.*

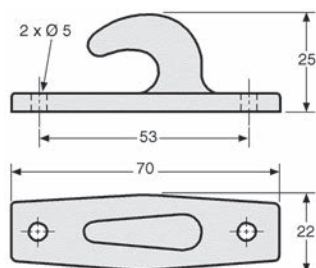
| Nr katalog.<br>Reference |  |  | Zakończyć<br>Finish                |
|--------------------------|---|---|------------------------------------|
| 5000448                  | 0,011   | 100   | Ocynkowana<br>Zinc plated          |
| 5000448IN                | 0,011   | 100   | Stal nierdzewna<br>Stainless steel |



Haczyk plandeki, do nitowania, stal cynkowa.  
*Cover hook to be riveted, zinc plated steel.*

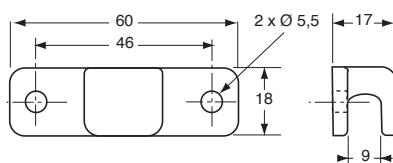
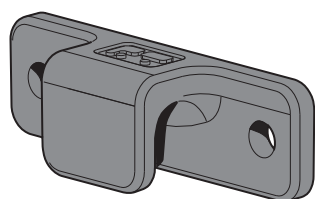
| Nr katalog.<br>Reference |  |  |
|--------------------------|---|---|
| 5000450                  | 0,03  | 100   |

AKCESORIA DO PLANDEK - CURTAIN ACCESSORIES



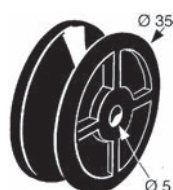
Hak plastikowy szary.  
*Grey plastic hook.*

|                          |       |
|--------------------------|-------|
| Nr katalog.<br>Reference |       |
| 3744591CR                | 0,015 |



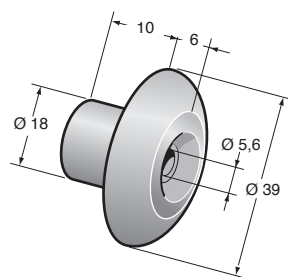
Hak plandeki, szare tworzywo.  
*Grey plastic cover hook.*

|                          |      |
|--------------------------|------|
| Nr katalog.<br>Reference |      |
| 5000449                  | 0.07 |



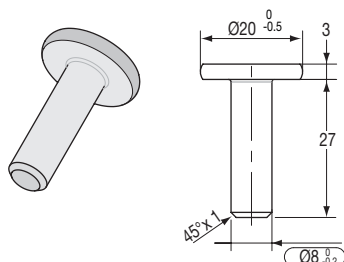
Rolka z czarnego tworzywa do naciągów gumowych,  
wielonitkowych.  
*Black plastic pulley for rubber spring.*

|                          |       |     |
|--------------------------|-------|-----|
| Nr katalog.<br>Reference |       |     |
| 5000454 S                | 0,005 | 250 |



Rolka z szarego tworzywa.  
*Grey plastic pulley.*

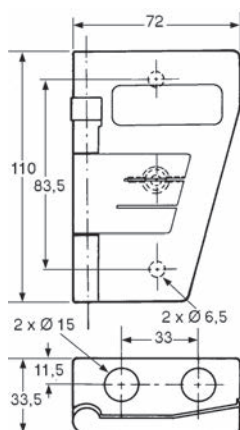
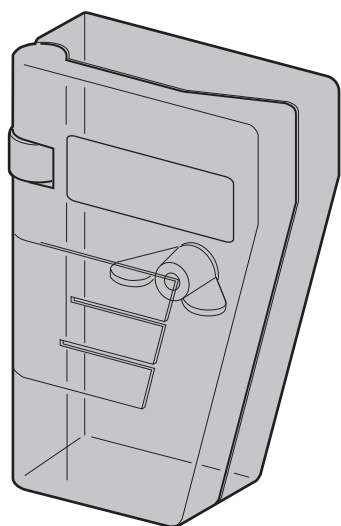
|                          |       |     |
|--------------------------|-------|-----|
| Nr katalog.<br>Reference |       |     |
| 5000453                  | 0,006 | 250 |




Trzpień do spawania stal surowa.  
*Lashing ring, to weld, self colour steel.*

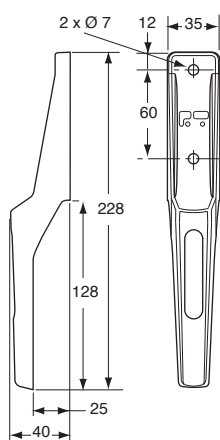
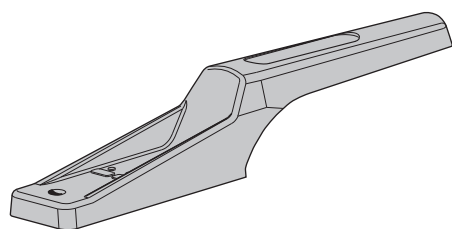
|                          |       |
|--------------------------|-------|
| Nr katalog.<br>Reference |       |
| 5000440                  | 0,015 |

LINKA TIR I AKCESORIA - *TIR CABLE AND ACCESSORIES*

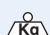


Skrzynka plombi TIR, szara, tworzywo kompozytowe.  
*Grey composite TIR seal cover.*

| Nr katalog.<br>Reference |  |
|--------------------------|---|
| 2344380                  | 0,1   |

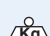


Knaga (różki) do nawinięcia linki TIR, szare tworzywo.  
*TIR cable tie in grey plastic.*

| Nr katalog.<br>Reference |  |
|--------------------------|---|
| 4272165                  | 0,07  |

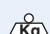


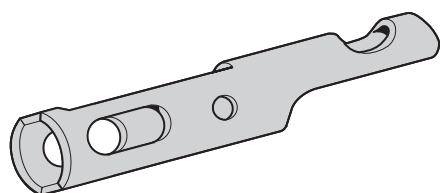
Linka TIR Ø 6, z końcówkami.  
*TIR cable Ø 6 with end cap.*

| Nr katalog.<br>Reference |  | Ø | Długość<br>Length |
|--------------------------|---|---|-------------------|
| 4272127                  | 2,5   | 6 | 40 m              |

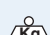


Linka TIR, nylon, rolka - 250 m.  
*Nylon TIR cable 250 m roll.*

| Nr katalog.<br>Reference |  | Ø | Długość<br>Length |
|--------------------------|---|---|-------------------|
| 4272119                  | 15,5  | 6 | 250 m             |
| 4272120                  | 23  | 8 | 250 m             |



Końcówka linki TIR, stalowa cynkowana.  
*End cap for TIR cable, zinc plated steel.*

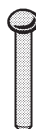
| Nr katalog.<br>Reference |  | Dla<br>For |
|--------------------------|---|------------|
| 4272125                  | 0,01  | Ø 8        |
| 4272126                  | 0,01  | Ø 6        |

LINKA TIR I AKCESORIA - *TIR CABLE AND ACCESSORIES*



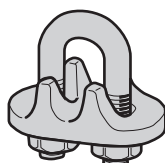
Oczko wysokie, mosiądz.  
*Brass oval eyelet.*

| Nr katalog.<br>Reference | Kg    | Dla<br>For         |
|--------------------------|-------|--------------------|
| 4272124                  | 0,001 | 4272125<br>4272126 |



Nit pełny, stalowy ocynkowany.  
*Plain rivet, zinc plated steel.*

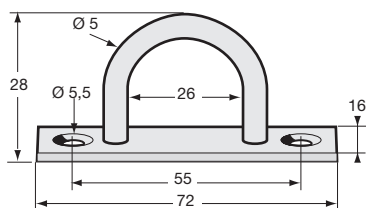
| Nr katalog.<br>Reference | Kg   |
|--------------------------|------|
| 4272122                  | 0,11 |



Zacisk linki, stal cynkowa.  
*Zinc plated steel wire rope clips.*

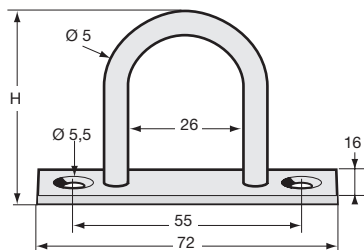
| Nr katalog.<br>Reference | Kg    | Dla<br>For |
|--------------------------|-------|------------|
| 3644280K                 | 0,035 | Ø 6        |
| 3644280M                 | 0,050 | Ø 8        |

UCHA I LISTWY Z UCHAMI - *LASHING RINGS AND RAILS*



Ucho półokrągłe, stal cynkowa.  
*Half round lashing ring, zinc plated steel.*

| Nr katalog.<br>Reference | Kg    |     |
|--------------------------|-------|-----|
| 5000842S                 | 0,028 | 100 |

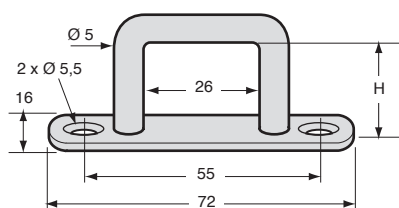


Ucho półokrągłe, stalowe cynkowane.  
*Half round lashing ring, zinc plated steel.*


| Nr katalog.<br>Reference | Kg    | H (mm) | h (mm) |     |
|--------------------------|-------|--------|--------|-----|
| 5000831S                 | 0,032 | 38     | 38     | 100 |

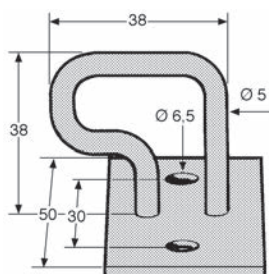


**UCHA I LISTWY Z UCHAMI - LASHING RINGS AND RAILS**




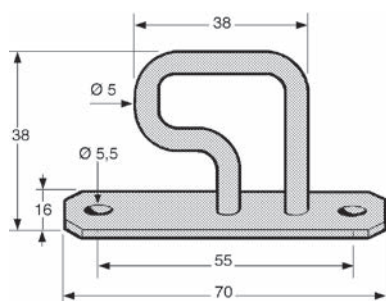
Ucho prostokątne, stal cynkowana.  
*Rectangular lashing ring, zinc plated steel.*

| Nr katalog.<br>Reference | $\frac{Kg}{m}$ | H<br>(mm) |  |
|--------------------------|----------------|-----------|---|
| 5000885S                 | 0.036          | 22        | 100   |
| 5000887S                 | 0.036          | 32        | 100   |




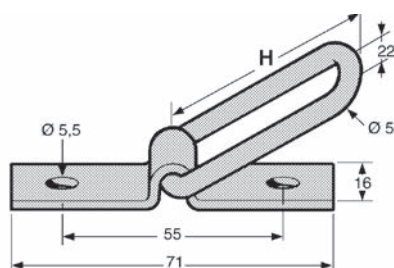
Ucho przesunięte, stal cynkowana.  
*Offset ring, zinc plated steel.*

| Nr katalog.<br>Reference | $\frac{Kg}{m}$ |  |
|--------------------------|----------------|---|
| 5000850                  | 0.044          | 100   |




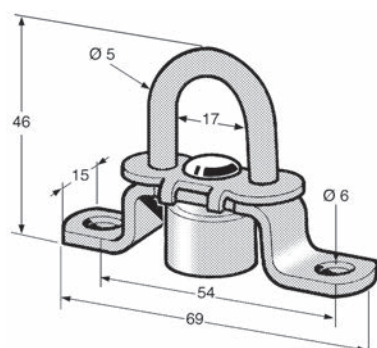
Ucho przesunięte, stal ocynkowana.  
*Offset ring, zinc plated steel.*

| Nr katalog.<br>Reference | $\frac{Kg}{m}$ |  |
|--------------------------|----------------|--|
| 5000851S                 | 0.038          | 100  |




Ucho odchylane, stal cynkowana.  
*Articulated lashing ring, zinc plated steel.*

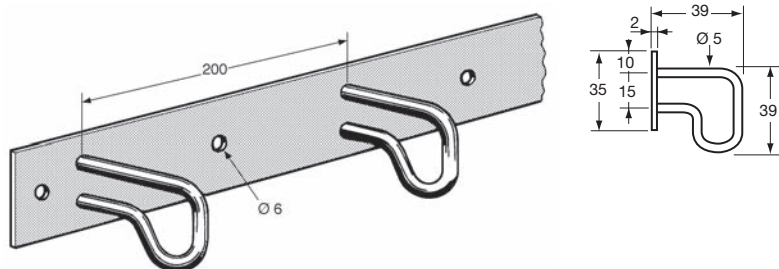
| Nr katalog.<br>Reference | $\frac{Kg}{m}$ | H<br>(mm) |  |
|--------------------------|----------------|-----------|---|
| 5000824                  | 0.028          | 32        | 100   |
| 5000825S                 | 0.036          | 51        | 100   |



Ucho do zasłon, obrotowe dwupozycyjne, z osłoną sprężyny, stal cynkowana.  
*Two position curtain locking ring with spring cover, zinc plated steel.*

| Nr katalog.<br>Reference | $\frac{Kg}{m}$ |  |
|--------------------------|----------------|---|
| 5000541S                 | 0.044          | 100   |

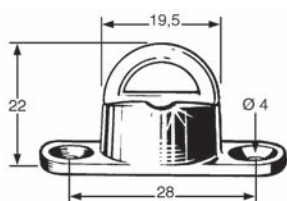
**UCHA I LISTWY Z UCHAMI - LASHING RINGS AND RAILS**



Listwa z uchami odsadzonymi, stal cynkowana.  
*Lashing rail with offset rings, zinc plated steel.*

| Nr katalog.<br>Reference | $\triangle$<br>Kg | Długość<br>Length | Szerokość<br>Width |
|--------------------------|-------------------|-------------------|--------------------|
| 4272162                  | 0,7               | 1050              | m                  |

**UCHA - CURTAIN LOCKING RINGS**



Ucho obrotowe z niepełnym oczkiem i niklowaną szyjką.  
*With split eyelet and nickel plated rivet washer.*

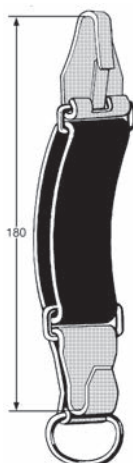
| Nr katalog.<br>Reference | $\triangle$<br>Kg |
|--------------------------|-------------------|
| 5000514                  | 0,015             |

**AKCESORIA SPECJALNE - SPECIAL ACCESSORIES**



Pierścień gumowy  $\varnothing$  8.  
*Rubber ring  $\varnothing$  8.*

| Nr katalog.<br>Reference | $\triangle$<br>Kg | $\varnothing$ |
|--------------------------|-------------------|---------------|
| 4272112                  | 0,025             | 8             |



Napinacz plandeki Tendobâche, do haczyków 5000450, 5000451BR i 5000451ZI.

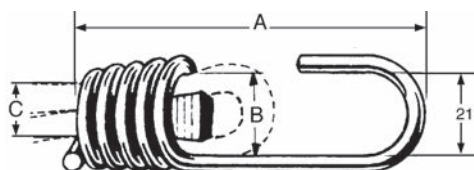
*Tendobâche, cover tensioner, zinc plated steel, to be used with hooks 5000450, 5000451BR and 5000451ZI.*

| Nr katalog.<br>Reference | $\triangle$<br>Kg | Dla<br>For                        |
|--------------------------|-------------------|-----------------------------------|
| 4272110D                 | 0,127             | 5000450<br>5000451BR<br>5000451ZI |

**AKCESORIA SPECJALNE - SPECIAL ACCESSORIES**

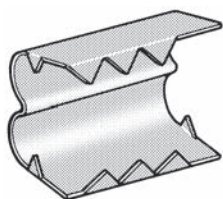

Naciąg gumowy, wielonitkowy.  
*Multi strand rubber cord.*

| Nr katalog.<br>Reference | Ø | Długość<br>Length | Kolor<br>Colour                                  |
|--------------------------|---|-------------------|--|
| 4272130NV                | 6 | 100 m             | Czarny, zielony, niebieski<br>Black, green, blue |
| 4272130BL                | 9 | 100 m             | Biały<br>White                                   |
| 4272130NB                | 9 | 100 m             | Czarny, zielony, niebieski<br>Black, green, blue |
| 4272130NO                | 9 | 100 m             | Czarny<br>Black                                  |
| 4272130RO                | 9 | 100 m             | Czerwone<br>Red                                  |



Hak naciągu gumowego ze stożkiem zaciskowym stal ocynk.  
*Rubber spring hook with locking-block, zinc plated steel.*

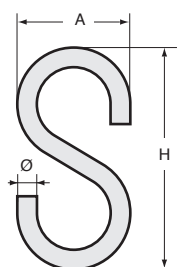
| Nr katalog.<br>Reference | Ø<br>Kg | A<br>(mm) | B<br>(mm) | C<br>(mm) | Ø Linki<br>gumowej<br>Ø Rubber<br>spring |
|--------------------------|---------|-----------|-----------|-----------|--|
| 4272131K                 | 1,6     | 64        | 12        | 10        | 6  |
| 4272131M                 | 1,6     | 75        | 16        | 10        | 8-9                                      |
| 4272131B                 | 1,6     | 76        | 19        | 13        | 9-10                                     |



Skuwka podwójna, dla linki gumowej.  
*Double tag for rubber spring.*

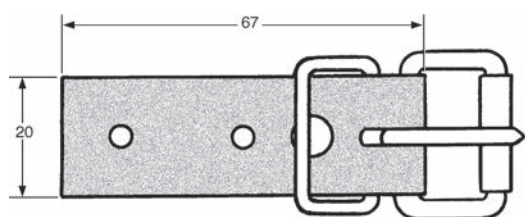
| Nr katalog.<br>Reference | Ø<br>Kg | ⊞   | Dla<br>For  |
|--------------------------|---------|-----|-------------|
| 5000457                  | 0,013   | 100 | Ø 8<br>Ø 9  |
| 5000458                  | 0,013   | 100 | Ø 9<br>Ø 10 |

AKCESORIA SPECJALNE - *SPECIAL ACCESSORIES*



Zaczep „S”, stal cynkowana.  
*S hook, zinc plated steel.*

| Nr katalog.<br><i>Reference</i> | $\frac{Kg}{\Delta}$ | Ø | A<br>(mm) | H<br>(mm) |
|---------------------------------|---------------------|---|-----------|-----------|
| 4272113                         | 0,008               | 4 | 20        | 37        |
| 4272114                         | 0,001               | 4 | 23        | 45        |



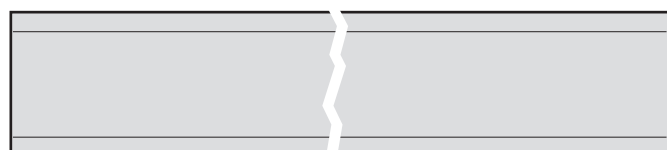
Końcówka paska z klamerką PVC zbrojona, szara, szerokość 20 mm.  
*Reinforced grey P.V.C. buckle, width 20 mm.*

| Nr katalog.<br><i>Reference</i> | $\frac{Kg}{\Delta}$ |
|---------------------------------|---------------------|
| 4272118                         | 0,016               |



Pasek, PVC zbrojony, szary, szer. 20 mm.  
*Reinforced grey P.V.C. strap, width 20 mm.*

| Nr katalog.<br><i>Reference</i> | $\frac{Kg}{\Delta}$ | Długość<br><i>Length</i> | Szerokość<br><i>Width</i> |
|---------------------------------|---------------------|--------------------------|---------------------------|
| 4272117ED                       | 0,013               | 250                      | 20                        |
| 4272117JD                       | 0,027               | 500                      | 20                        |



Pasek TIR o szerokości 25 mm, PVC zbrojony.  
*Reinforced P.V.C. TIR strap, width 25 mm.*

| Nr katalog.<br><i>Reference</i> | $\frac{Kg}{\Delta}$ | Długość<br><i>Length</i> |
|---------------------------------|---------------------|--------------------------|
| 4272153                         | 4,2                 | 50 m                     |

## **AKCESORIA DO CHŁODNI**

Klapy, drążki do zawieszania, podnośniki, ścianki działowe

## **FRIDGE VEHICLES ACCESSORIES**

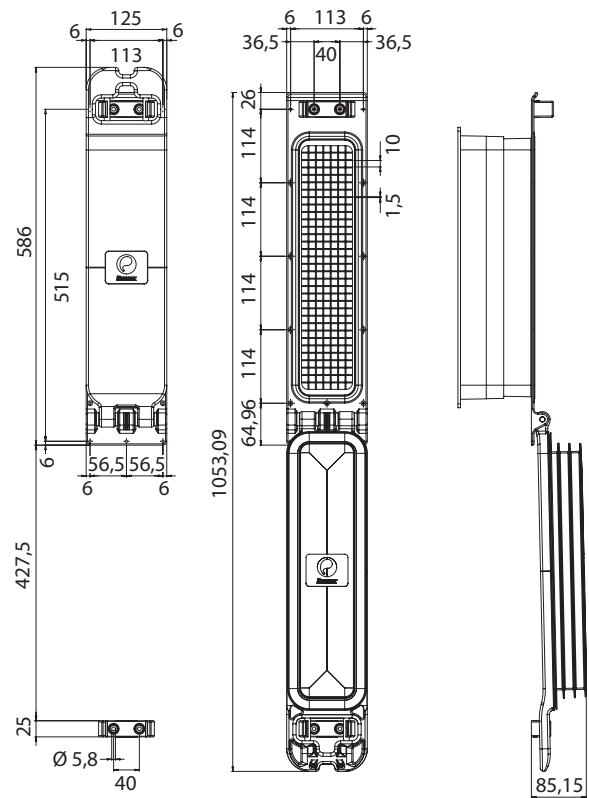
*Trap doors, meat hanging systems, lifting and sliding systems*




21



**KOMPLETNE DRZWICZKI WENTYLACYJNE - COMPLETE VENTILATION DOOR**



Drzwiczki wentylacyjne OXZY do paneli od 60 do 110 mm.  
Ventilation door OXZY for panel from 60 to 110 mm.

| Nr katalog.<br>Reference |  |
|--------------------------|---|
| 240511758                | 2,70  |




Adaptowalny jako zawór dekompresyjny dla ściany działowej 45 mm.  
Adaptable as a decompression trap for partition wall of 45 mm thickness.

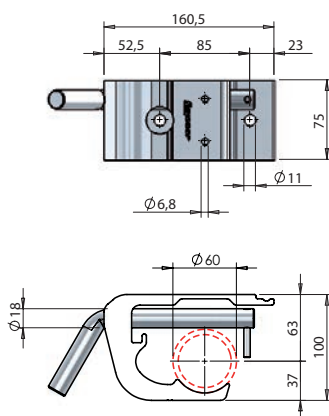
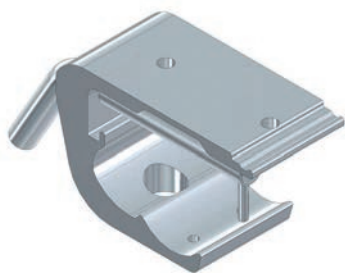
**AKCESORIA DO DRZWICZEK WENTYLACYJNYCH - ACCESSORIES FOR VENTILATION DOOR**



Kij do drzwiczek wentylacyjnych OXZY.  
Pole for ventilation door OXZY.

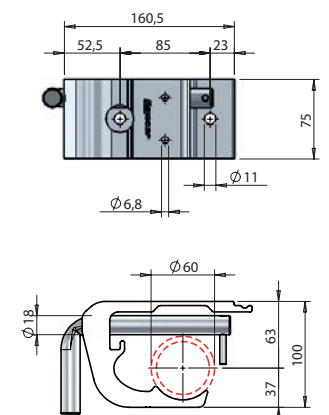
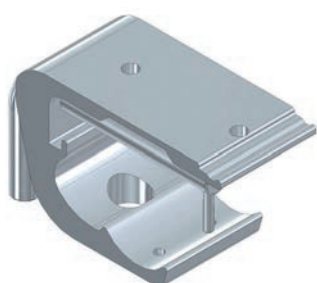
| Nr katalog.<br>Reference |  |
|--------------------------|---|
| 240511759                | 0,9   |

AKCESORIA DO WIESZANIA RUROWE - *TUBULAR SYSTEM ACCESSORIES*



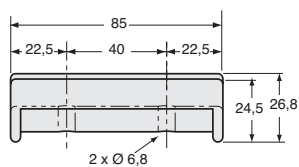
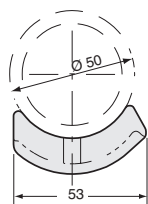
Wspornik rury  $\varnothing 60$  z blokadą pod kątem  $45^\circ$ . Maksymalne obciążenie 500 Kg. Montaż w odległości 600 mm.  
*Tubular hook rail support brackets  $\varnothing 60$  with  $45^\circ$  handle. Max. loading capacity 500 Kg. Max. distance between support anchor points 600 mm.*

| Nr katalog.<br>Reference | Kg   | Zakończyć<br>Finish                       |
|--------------------------|------|---|
| 801110883                | 1,26 | Aluminium anodowane<br>Anodized aluminium |



Wspornik rury  $\varnothing 60$  z blokadą pod kątem  $90^\circ$ . Maksymalne obciążenie 500 Kg. Montaż w odstępach 600 mm.  
*Tubular hook rail support brackets  $\varnothing 60$  with  $90^\circ$  handle. Max. loading capacity 500 Kg. Max. distance between support anchor points 600 mm.*

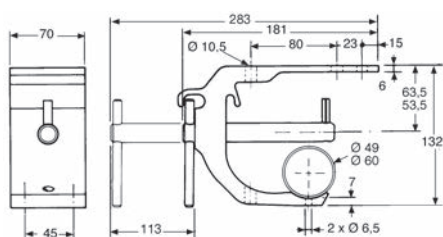
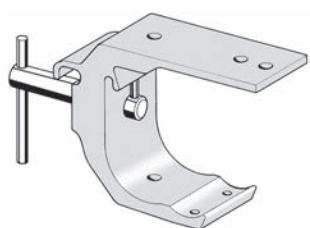
| Nr katalog.<br>Reference | Kg    | Zakończyć<br>Finish                       |
|--------------------------|-------|---|
| 801111420                | 1,260 | Aluminium anodowane<br>Anodized aluminium |



Podkładka dystansowa z tworzywa, do rury  $\varnothing 50$  mm dla fotela 801110883, 801111420.

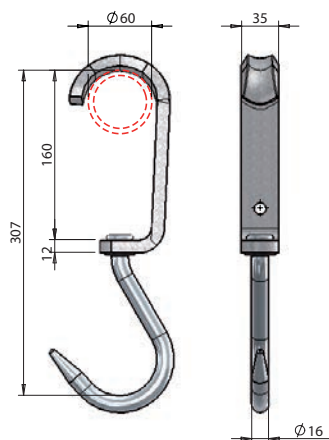
*Plastic packer for tube  $\varnothing 50$  mm for support 801110883, 801111420.*

| Nr katalog.<br>Reference | Kg    | $\varnothing$ |
|--------------------------|-------|---------------|
| 801110477                | 0,125 | 50            |



Wspornik z surowego aluminium ciągniętego dla rury z blokadą ze stali nierdzewnej, udźwig: 400 kg  
*Raw aluminium mounting bracket for tube, with stainless steel bolt, load: 400 kg.*

| Nr katalog.<br>Reference | Kg   | $\varnothing$ |
|--------------------------|------|---------------|
| 3744515                  | 1,34 | 49            |
| 3744516                  | 1,34 | 60            |

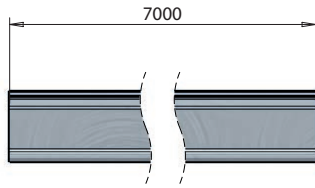
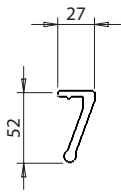


Hak do mięsa  $\varnothing 16$ , ze stali nierdzewnej, z wieszakiem ślizgowym ze stali cynkowanej, do rury  $\varnothing 60$ . Nośność statyczna maks: 750 kg.  
*Stainless steel hook  $\varnothing 16$ , complete with zinc plated shackle for tubular rails  $\varnothing 60$ . Max static capacity load : 750 kg.*

| Nr katalog.<br>Reference | Kg   |
|--------------------------|------|
| 801108500                | 1,38 |



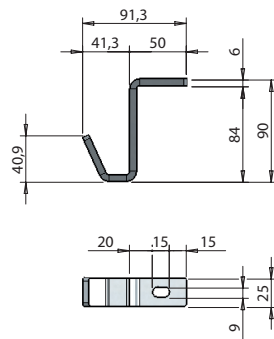
### AKCESORIA DO WIESZANIA RUROWE - TUBULAR SYSTEM ACCESSORIES



Profil zabezpieczający aluminiowy dla 801110883, 801111420.

*Aluminium security rail for 801110883, 801111420.*

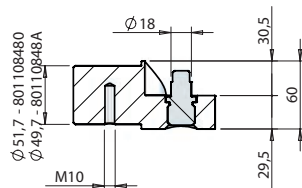
| Nr katalog.<br>Reference | Długość<br>Length |
|--------------------------|-------------------|
| 801110476                | 7000              |



Wspornik ze stali nierdzewnej do blokowania haków.

*Stainless steel storage bracket used to park hooks.*

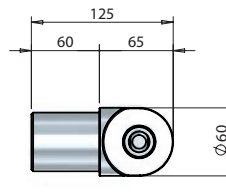
| Nr katalog.<br>Reference | $\frac{Kg}{m}$ |
|--------------------------|----------------|
| 801100044                | 0,205          |



Końcówka rury aluminiowa z rygłem stałym, wg normy DIN.

*Aluminium meat rail end-connector with fixed bolt, DIN standard.*

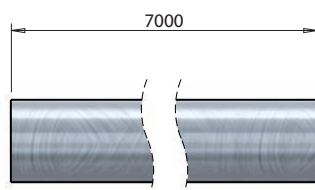
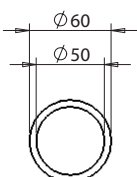
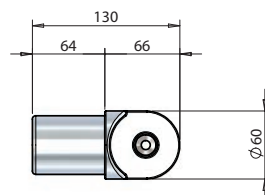
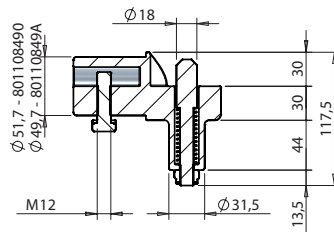
| Nr katalog.<br>Reference | $\frac{Kg}{m}$ | ØA   |
|--------------------------|----------------|------|
| 801108480                | 0,675          | 51,7 |
| 80110848A                | 0,675          | 50   |



Końcówka rury aluminiowa z rygłem stal nierdzewna, wg normy DIN.

*Aluminium meat rail end-connector with stainless steel movable bolt, DIN standard.*

| Nr katalog.<br>Reference | $\frac{Kg}{m}$ | ØA   |
|--------------------------|----------------|------|
| 801108490                | 0,75           | 51,7 |
| 80110849A                | 0,75           | 50   |

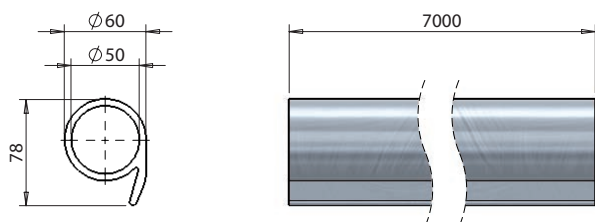


Rura Ø 60 x 5 x 7000 mm.

*Tubular hook rail Ø 60 x 5 x 7000 mm.*

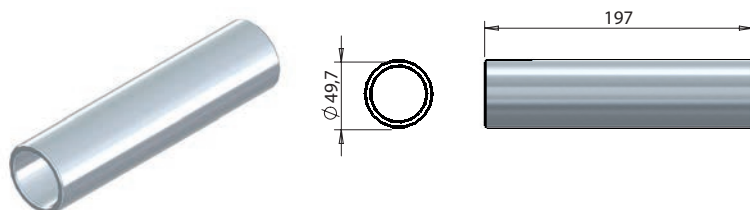
| Nr katalog.<br>Reference | Zakończyć<br>Finish    |
|--------------------------|------------------------|
| 801107427                | Aluminium<br>Aluminium |

AKCESORIA DO WIESZANIA RUROWE - **TUBULAR SYSTEM ACCESSORIES**



Rura  $\varnothing 60 \times 5 \times 7000$  mm ze skrzydełkami zabezpieczającymi.  
*Tubular hook rail  $\varnothing 60 \times 5 \times 7000$  mm hook retainer.*

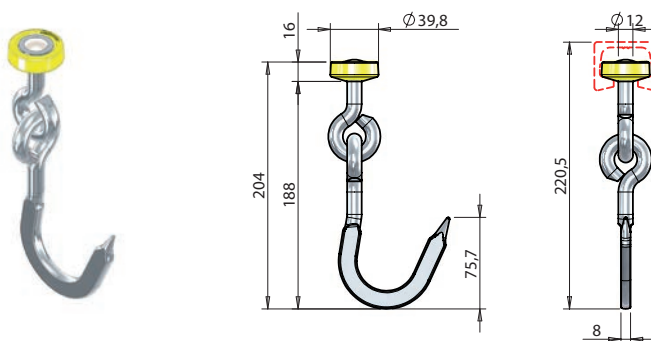
| Nr katalog.<br>Reference | Zakończyć<br>Finish                       |
|--------------------------|---|
| 801110882                | Aluminium anodowane<br>Anodized aluminium |



Przyłącze dla rury  $\varnothing 60$ .  
*Connector for tubular hook rail  $\varnothing 60$ .*

| Nr katalog.<br>Reference | $\frac{\Delta}{Kg}$ | Zakończyć<br>Finish    |
|--------------------------|---------------------|------------------------|
| 80110743A                | 0,370               | Aluminium<br>Aluminium |

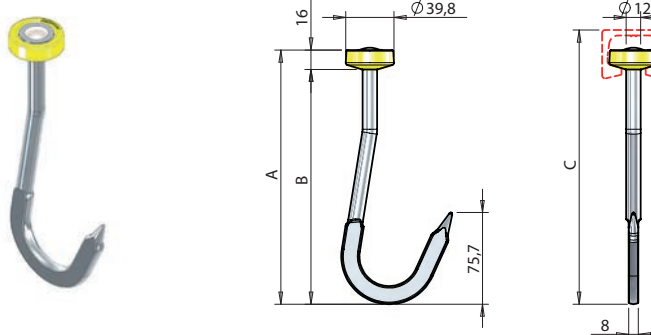
AKCESORIA DO WIESZANIA NA SZYNACH - **RAIL SYSTEM ACCESSORIES**



Hak do mięsa  $\varnothing 12$  ze stali nierdzewnej, maksymalne obciążenie statyczne 675 kg.  
*Stainless steel flat type, straight hook  $\varnothing 12$ , max load capacity (static) 675 kg.*



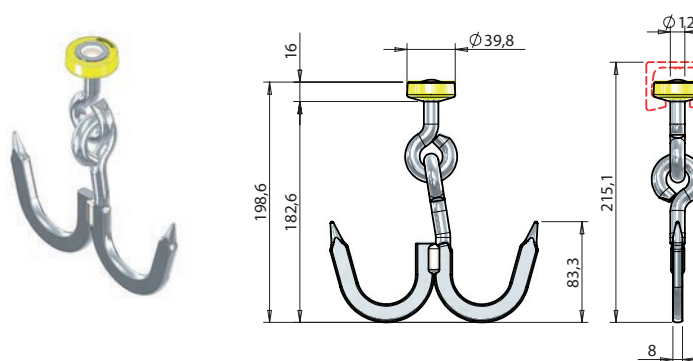
| Nr katalog.<br>Reference | $\frac{\Delta}{Kg}$ | $\varnothing$ |
|--------------------------|---------------------|---------------|
| 800508362                | 0,41                | 12            |



Hak do mięsa  $\varnothing 12$  ze stali nierdzewnej, maksymalne obciążenie statyczne 600 kg.  
*Stainless steel flat type, straight hook  $\varnothing 12$ , max load capacity (static) 600 kg.*



| Nr katalog.<br>Reference | $\frac{\Delta}{Kg}$ | $\varnothing$ | A (mm) | B (mm) | C (mm) |
|--------------------------|---------------------|---------------|--------|--------|--------|
| 800508530                | 0,295               | 12            | 210    | 194    | 226,50 |
| 800510218                | 0,295               |               | 161    | 145    | 177,50 |

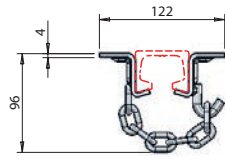
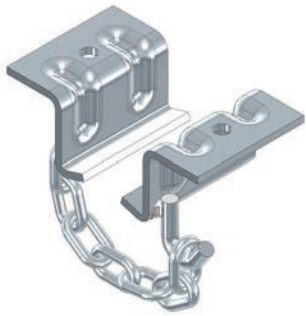


Hak na mięso, podwójny,  $\varnothing 12$ , długość 190 mm.  
*Double hook with shackle  $\varnothing 12$  length 190 mm.*



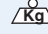
| Nr katalog.<br>Reference | $\frac{\Delta}{Kg}$ | Zakończyć<br>Finish                |
|--------------------------|---------------------|------------------------------------|
| 800500052                | 0,550               | Stal nierdzewna<br>Stainless steel |

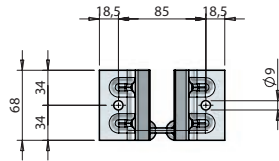
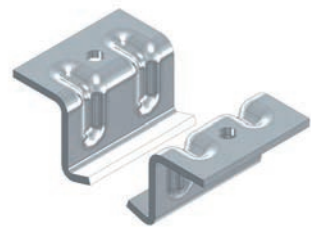
### AKCESORIA DO WIESZANIA NA SZYNACH - RAIL SYSTEM ACCESSORIES



Płytki ze stali nierdzewnej do mocowania szyny, bez łańcuszka, z łańcuchem.  
*Stainless steel support brackets for fixing meat rail with chain.*




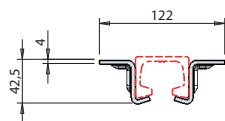
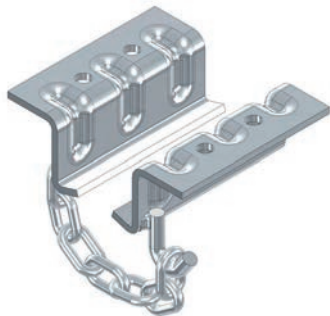
| Nr katalog.<br>Reference |  |
|--------------------------|---|
| 800507270                | 0,442   |



Płytki ze stali nierdzewnej do mocowania szyny, bez łańcuszka bez łańcucha.  
*Stainless steel support brackets for fixing meat rail without chain.*

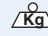


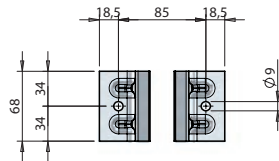
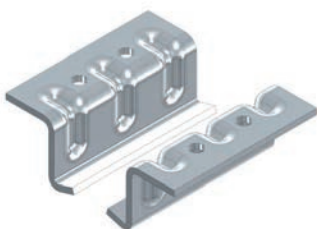
| Nr katalog.<br>Reference |  |
|--------------------------|---|
| 800507260                | 0,335   |



Płytki ze stali nierdzewnej do mocowania szyny i profilu łukowego, bez łańcuszka, z łańcuchem.  
*Stainless steel support brackets for fixing meat rail and curve with chain.*




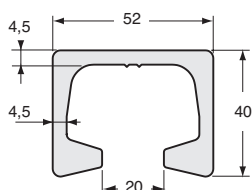
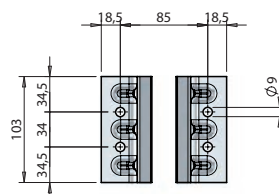
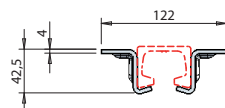
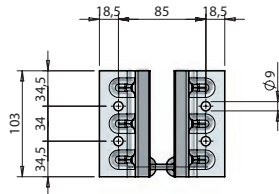
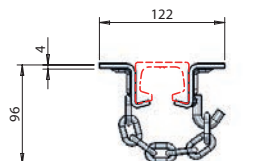
| Nr katalog.<br>Reference |  |
|--------------------------|---|
| 800507282                | 0,615   |



Płytki ze stali nierdzewnej do mocowania szyny i profilu łukowego, bez łańcuszka bez łańcucha.  
*Stainless steel support brackets for fixing meat rail and curve without chain.*



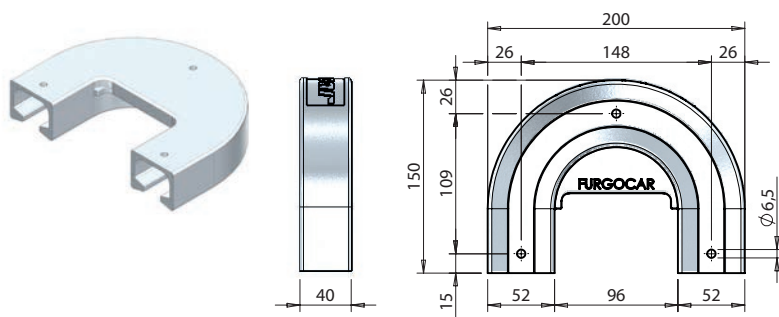
| Nr katalog.<br>Reference |  |
|--------------------------|---|
| 800507280                | 0,515   |



Profil szynowy, aluminium anodowane.  
*Rail profile aluminium anodized.*

| Nr katalog.<br>Reference | Długość<br>Length |
|--------------------------|-------------------|
| 800507246                | 6000              |
| 800507247                | 7000              |

AKCESORIA DO WIESZANIA NA SZYNACH - RAIL SYSTEM ACCESSORIES

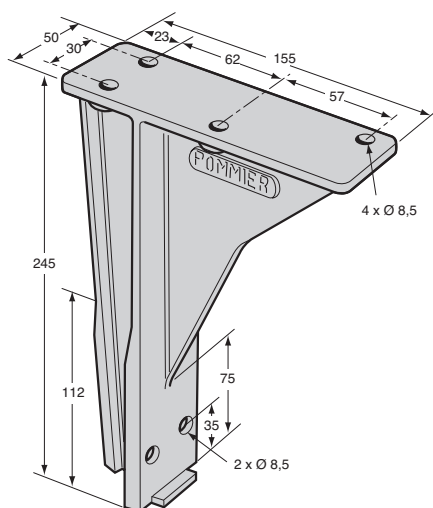


Profil nawrotu, wygięty, aluminiowy, dla profilu szynowego 52 x 40.

*Aluminium curve profile for rail 52 x 40.*

|                          |      |
|--------------------------|------|
| Nr katalog.<br>Reference |      |
| 800507251                | 0,75 |

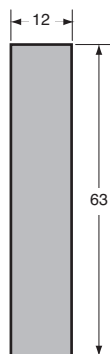
AKCESORIA - ACCESSORIES



Kątownik wsporczy z aluminium do drążków do zawieszania mięsa, obciążalność: 250 kg.

*Mounting bracket for meat support bar, load: 250 kg.*

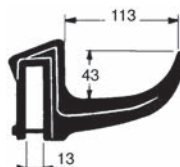
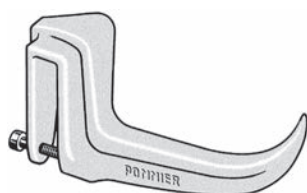
|                          |      |
|--------------------------|------|
| Nr katalog.<br>Reference |      |
| 3744507                  | 0,65 |



Płaskownik aluminiowy.

*Aluminium profile.*

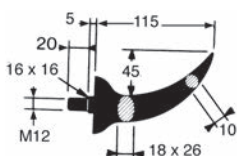
|                          |                   |
|--------------------------|-------------------|
| Nr katalog.<br>Reference | Długość<br>Length |
| 3744501BR                | 5000              |



Hak przesuwany aluminiowy, montowany na płaskowniku aluminiowym 63 x 12 mm.

*Aluminium sliding hook for flat aluminium bar 63 x 12 mm.*

|                          |      |
|--------------------------|------|
| Nr katalog.<br>Reference |      |
| 3744509                  | 0,25 |

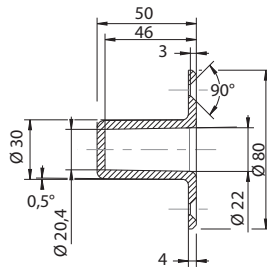
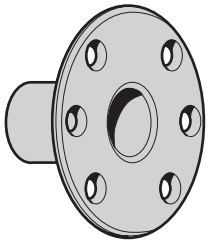


Hak do mięsa samohamowny, aluminiowy.

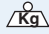
*Self-locking aluminium meat hook.*

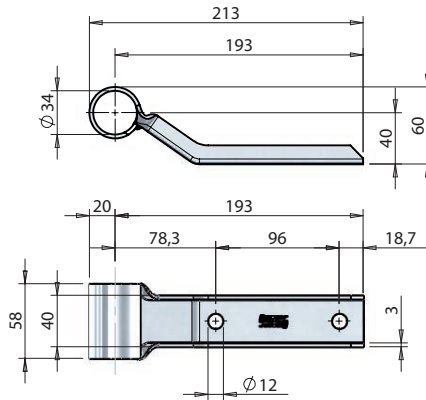
|                          |       |
|--------------------------|-------|
| Nr katalog.<br>Reference |       |
| 3744508                  | 0,175 |

AKCESORIA - ACCESSORIES




Zaczepek do kraty, aluminiowy.  
Aluminium grill retainer.

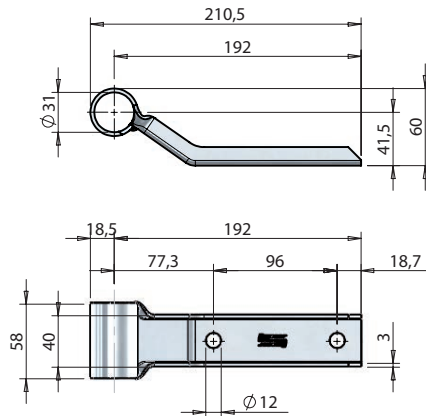
| Nr katalog.<br>Reference |  Kg |
|--------------------------|--|
| 3744610                  | 0,07   |



Wspornik rury boczny 1 1/4".  
Support bracket for lateral 1 1/4" tube.




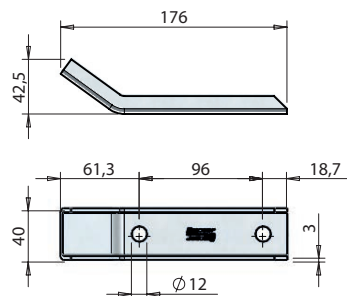
| Nr katalog.<br>Reference |  Kg | Zakończyć<br>Finish                |
|--------------------------|--|------------------------------------|
| 801607360                | 0,400  | Stal nierdzewna<br>Stainless steel |



Wspornik rury boczny Ø 30 mm.  
Support bracket for lateral tube Ø 30 mm.



| Nr katalog.<br>Reference |  Kg | Zakończyć<br>Finish                |
|--------------------------|--|------------------------------------|
| 801607350                | 0,390  | Stal nierdzewna<br>Stainless steel |



Wspornik rury boczny do przyspawania.  
Weld-on support bracket for lateral tube.

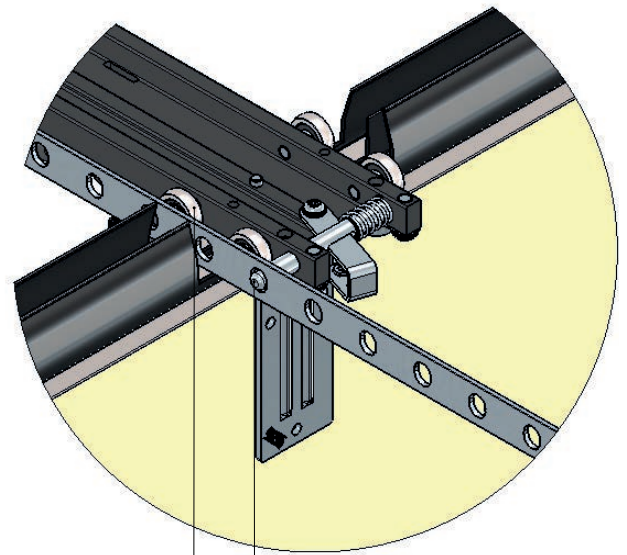
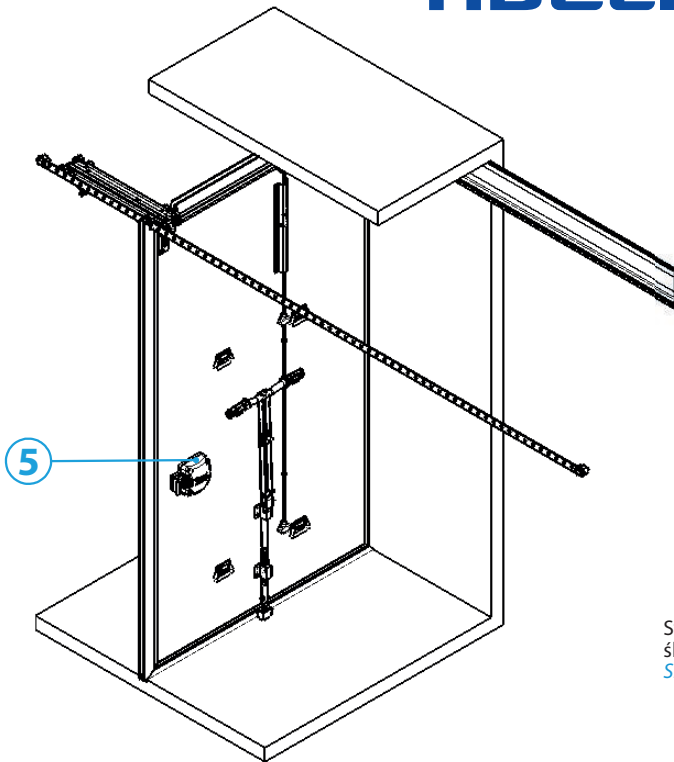


| Nr katalog.<br>Reference |  Kg | Zakończyć<br>Finish                |
|--------------------------|--|------------------------------------|
| 801607370                | 0,245  | Stal ocynkowana<br>Zinc plated     |
| 801607371                | 0,245  | Stal nierdzewna<br>Stainless steel |



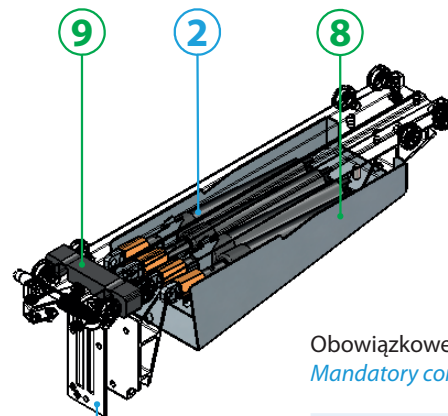
AUTOMATYCZNY - *AUTOMATIC*

# ADELIFT



System przesuwny z rolkami ślizgowymi.  
*Sliding system with bearings.*

Automatyczny hamulec blokujący.  
*Automatic locking brake.*



Obowiązkowe elementy.  
*Mandatory components.*



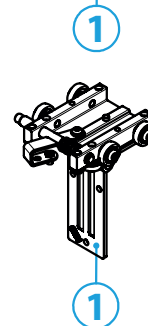
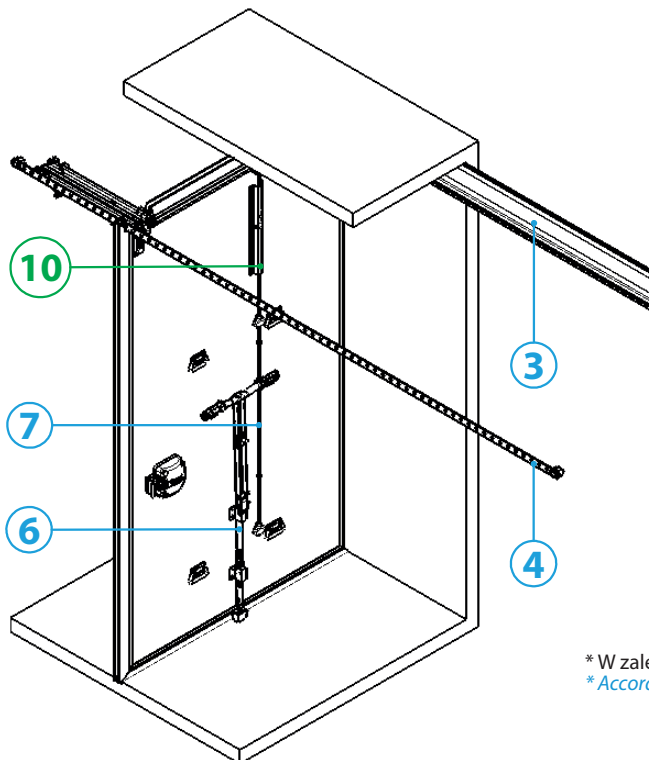
| Nr katalog.<br><i>Reference</i> |   | Rep.<br><i>Rep.</i> |
|---------------------------------|---|---------------------|
| 510511462                       | * | 1                   |
| 510511463                       | * | 2                   |
| 510511429                       | * | 3                   |
| 510511469                       | * | 4                   |
| 510511428                       | * | 5                   |
| 510511598                       | * | 6                   |
| 510511279                       |   | 7                   |

Opcjonalne komponenty.  
*Optional components.*



|           |    |
|-----------|----|
| 510511464 | 8  |
| 510511465 | 9  |
| 510511587 | 10 |

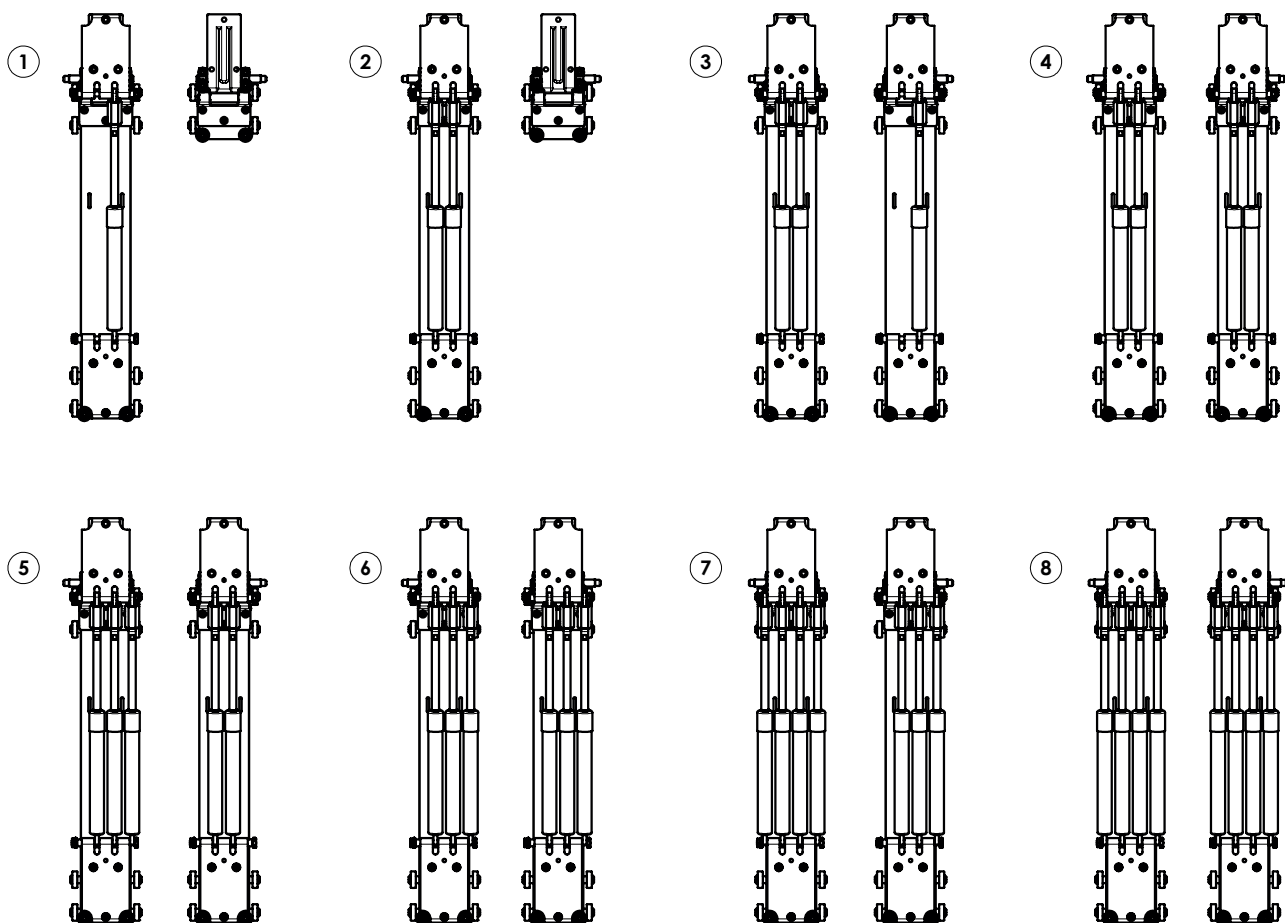
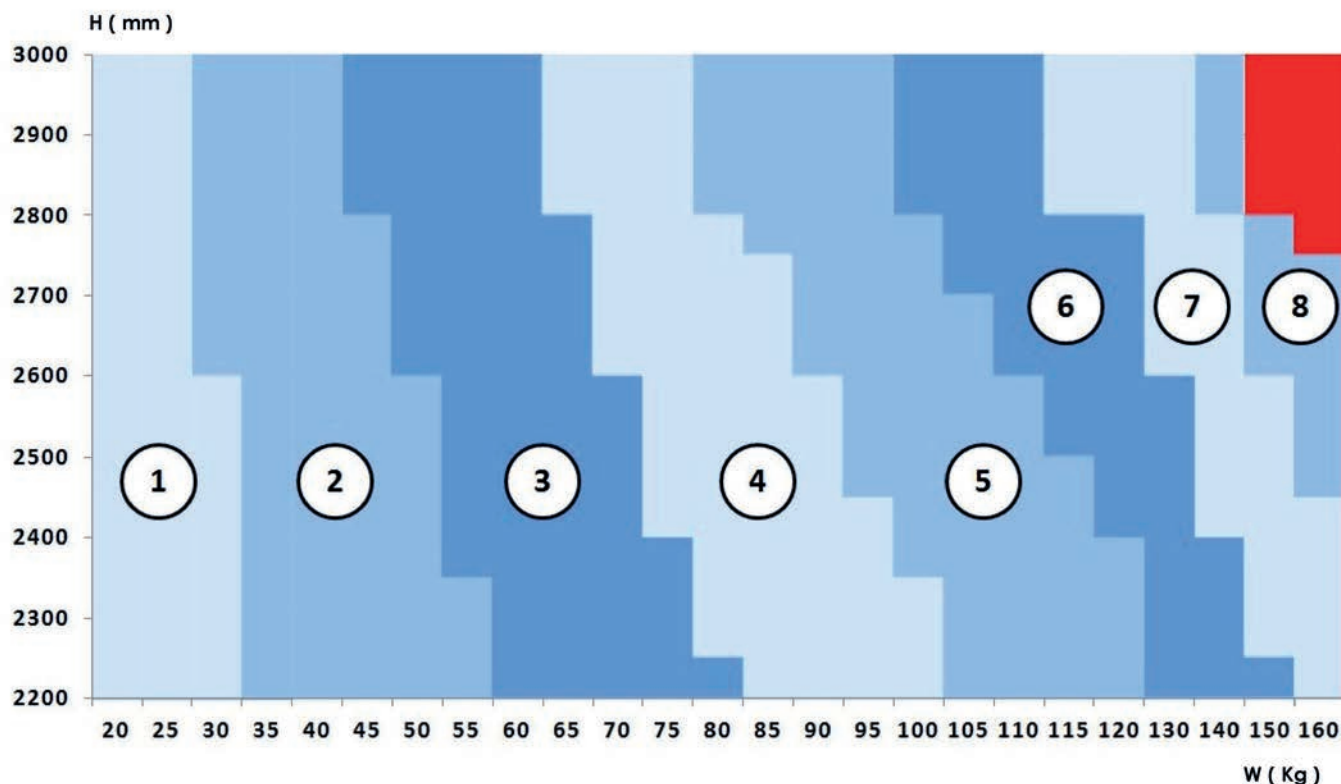
\* W zależności od typu montażu.  
*\* According to mounting type.*





AUTOMATYCZNY - *AUTOMATIC*

# ADELIFT






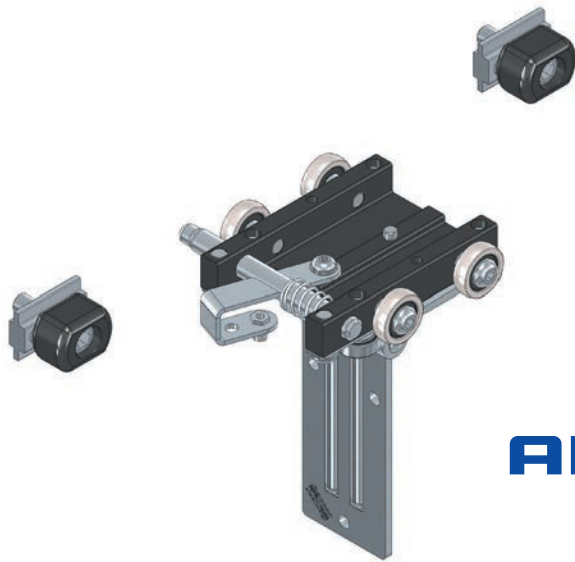
AKCESORIA I CZĘŚCI ZAMIENNE - ACCESSORIES AND SPARE PARTS

Zestaw do podnośnika auto-  
matycznego ADELIFT krótkiego  
łożyskowego.

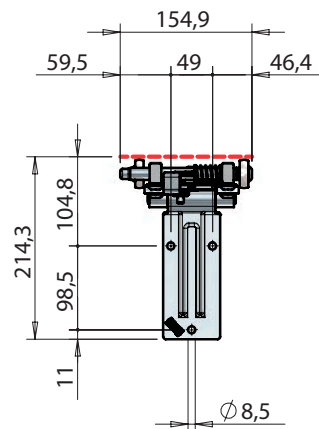
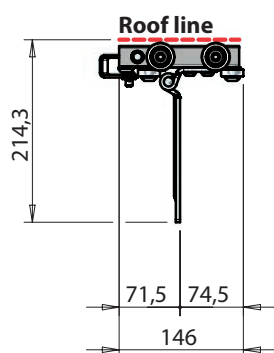
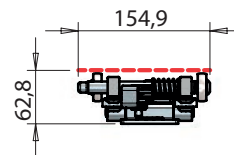
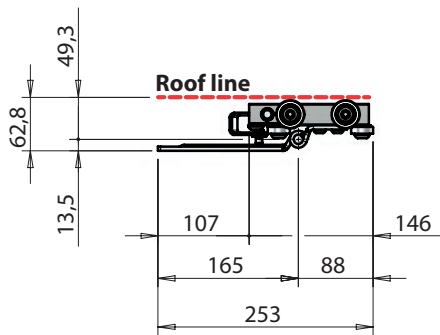
**Furgocar**  
BEST QUALITY

Automatic power lift ADELIFT short kit,  
roller bearings.

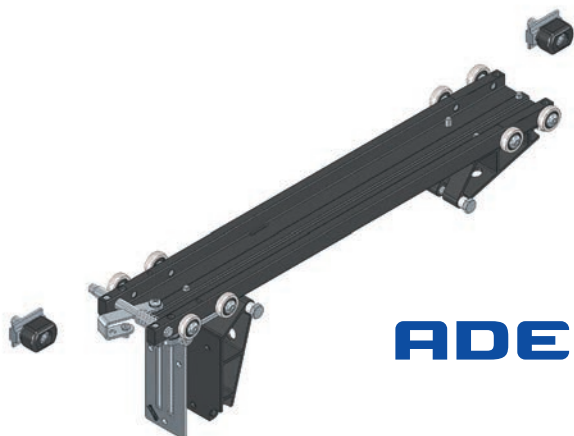
| Nr katalog.<br>Reference |  Kg | Zakończyć<br>Finish    |
|--------------------------|--|------------------------|
| 510511463                | 1,840  | Aluminium<br>Aluminium |



**ADELIFT**



**AUTOMATYCZNY - AUTOMATIC**



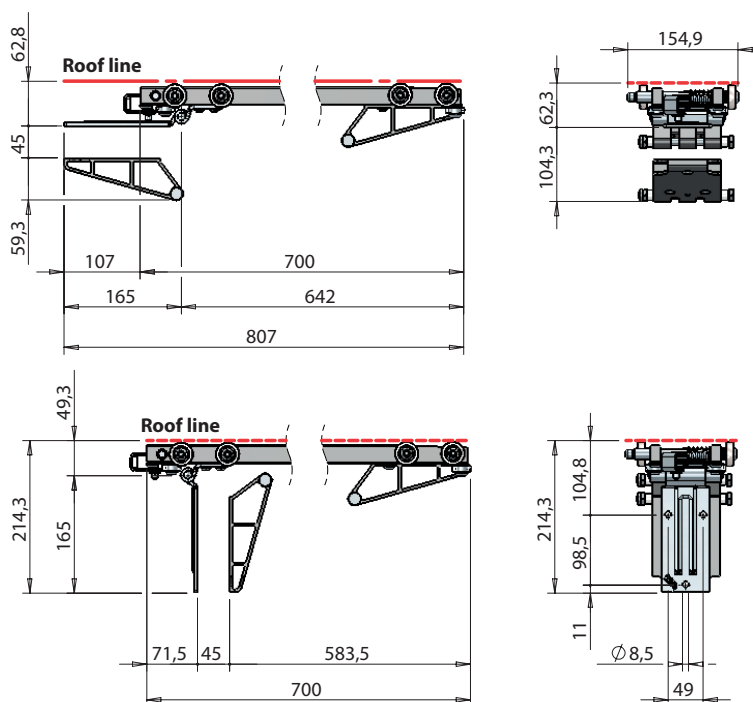
**ADELIFT**

Zestaw do podnośnika auto-  
matycznego ADELIFT długiego  
łożyskowego.

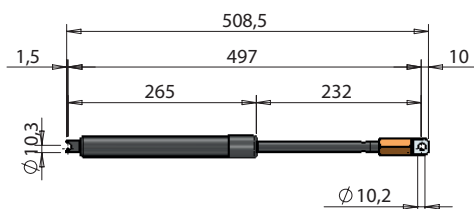


*Automatic power lift ADELIFT long kit,  
roller bearings.*

| Nr katalog.<br>Reference | $\triangle$ Kg | Zakończyć<br>Finish    |
|--------------------------|----------------|------------------------|
| 510511462                | 4,800          | Aluminium<br>Aluminium |



**AKCESORIA I CZĘŚCI ZAMIENNE - ACCESSORIES AND SPARE PARTS**



Sprężyna gazowa 470-150 2500 N  
do podnośnika ADELIFT.



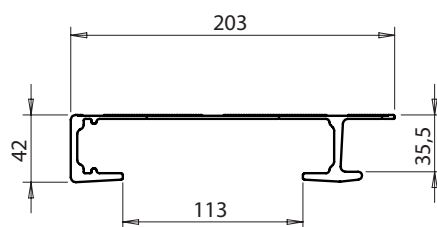
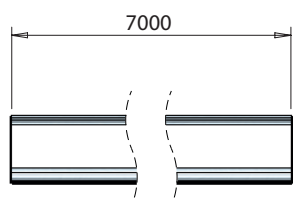
*Gas spring 470-150 2500 N for power  
lift ADELIFT.*

| Nr katalog.<br>Reference | $\triangle$ Kg | Zakończyć<br>Finish |
|--------------------------|----------------|---------------------|
| 510511427                | 0,780          | Acier<br>Steel      |



AKCESORIA I CZĘŚCI ZAMIENNE - ACCESSORIES AND SPARE PARTS

# ADELIFT

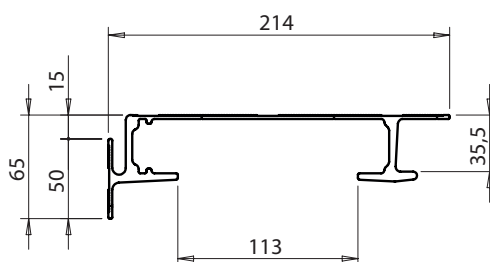
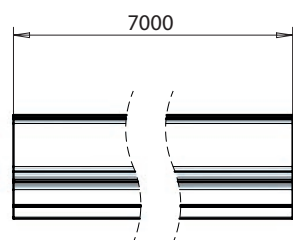


Szyna prowadnicy NP do podnośnika ADELIFT, długość 7000 mm.

Power lift ADELIFT rail NP profile length 7000 mm.




| Nr katalog.<br>Reference |  Kg | Zakończyć<br>Finish    |
|--------------------------|--|------------------------|
| 510511429                | 24,210   | Aluminium<br>Aluminium |

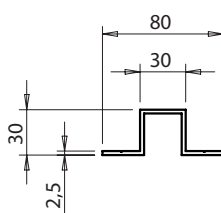
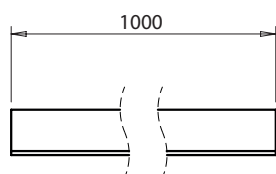


Szyna prowadnicy CP do podnośnika ADELIFT, długość 7000 mm.

Power lift ADELIFT rail CP profile length 7000 mm.




| Nr katalog.<br>Reference |  Kg | Zakończyć<br>Finish    |
|--------------------------|--|------------------------|
| 510511469                | 26,420   | Aluminium<br>Aluminium |



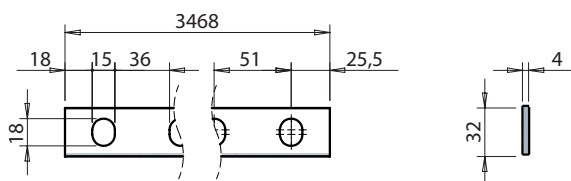
Profil «omega» długość 1000 mm.  
Self colour omega profile length 1000 mm.



| Nr katalog.<br>Reference |  Kg | Zakończyć<br>Finish    |
|--------------------------|--|------------------------|
| 510511587                | 0,920  | Aluminium<br>Aluminium |

AKCESORIA I CZĘŚCI ZAMIENNE - **ACCESSORIES AND SPARE PARTS**

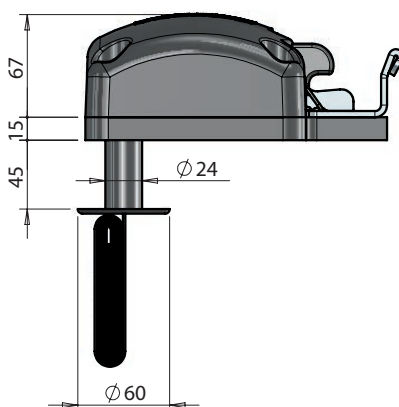
**ADELIFT**



Listwa odwiercona dla szyny przewodnicy aluminiowej.  
*Locking track for power lift rail.*



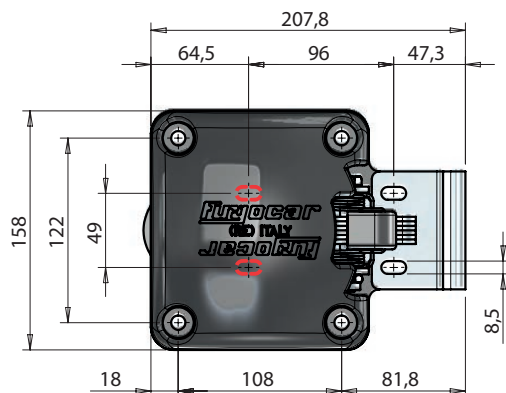
| Nr katalog.<br><i>Reference</i> | Kg    | Zakończyć<br><i>Finish</i>    |
|---------------------------------|-------|-------------------------------|
| 510510556                       | 0,965 | Aluminium<br><i>Aluminium</i> |



System blokady automatycznej podnośnika ADELIFT.  
*Automatic stowing device ADELIFT.*



| Nr katalog.<br><i>Reference</i> | Kg    | Zakończyć<br><i>Finish</i>                |
|---------------------------------|-------|---|
| 510511428                       | 2,075 | Stal nierdzewna<br><i>Stainless steel</i> |

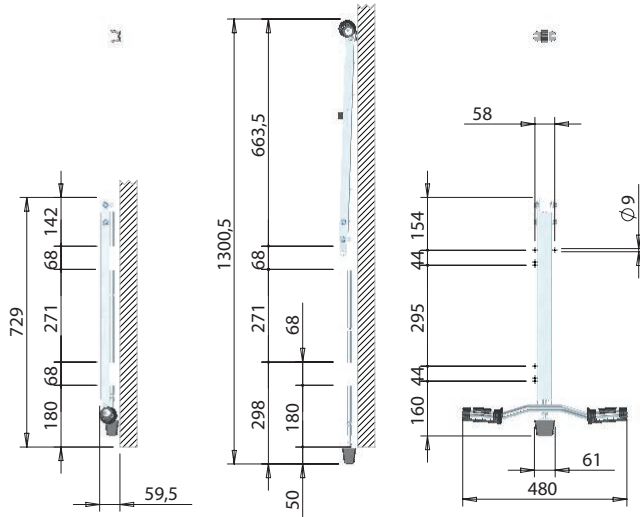


System blokady automatycznej URBAN podnośnika ADELIFT.  
*Automatic URBAN stowing device ADELIFT.*




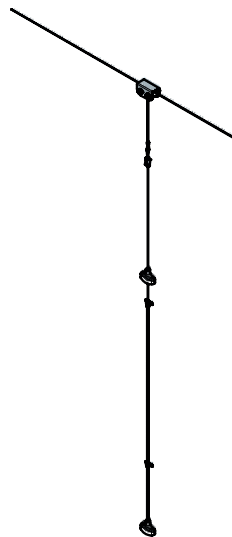
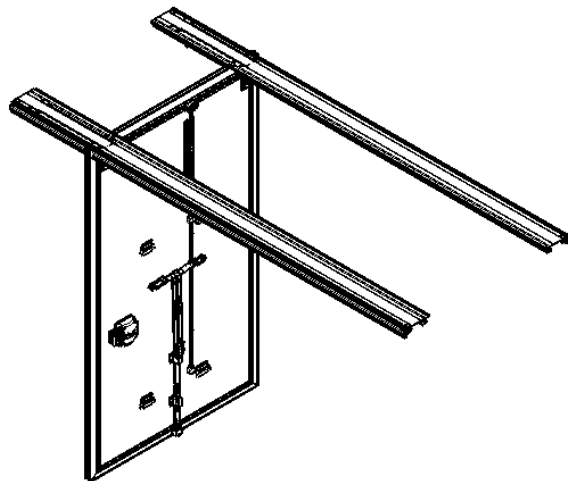
| Nr katalog.<br><i>Reference</i> | Kg    | Zakończyć<br><i>Finish</i>                |
|---------------------------------|-------|---|
| 510511598                       | 2,075 | Stal nierdzewna<br><i>Stainless steel</i> |

AKCESORIA I CZĘŚCI ZAMIENNE - ACCESSORIES AND SPARE PARTS



Zamknięcie przegubowe ścienne do **Furgocar** blokady przegrody do podłogi.  
*External articulated locking gear to block the partition wall to the floor.*

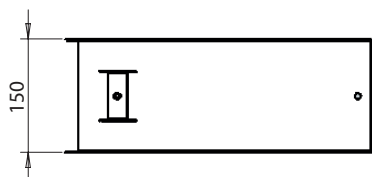
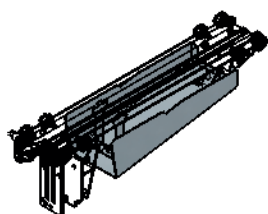
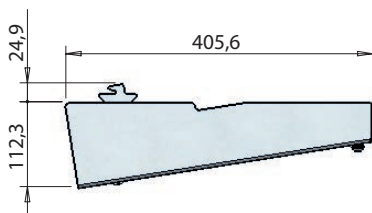
| Nr katalog.<br>Reference |  Kg | Zakończyć<br>Finish                |
|--------------------------|--|------------------------------------|
| 510511279                | 4,381  | Stal nierdzewna<br>Stainless steel |



Zestaw do odblokowania z kablem **Furgocar** SOLO.  
*Cable kit SOLO.*

| Nr katalog.<br>Reference |  Kg | Zakończyć<br>Finish                |
|--------------------------|--|------------------------------------|
| 510511467                | 0,980  | Stal nierdzewna<br>Stainless steel |

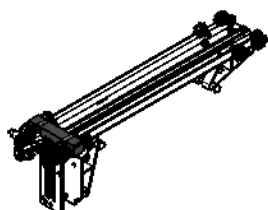
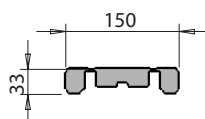
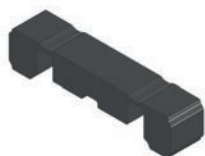
AKCESORIA I CZĘŚCI ZAMIENNE - **ACCESSORIES AND SPARE PARTS**



Osłona ochronna dla sprężyny gazowej.  
*Gas spring housing.*



| Nr katalog.<br><i>Reference</i> | <i>Kg</i> | Zakończyć<br><i>Finish</i>                |
|---------------------------------|-----------|---|
| 510511464                       | 2,010     | Stal nierdzewna<br><i>Stainless steel</i> |



Uszczelka piankowa izolacyjna.  
*Insulating gasket.*



| Nr katalog.<br><i>Reference</i> | <i>Kg</i> | Zakończyć<br><i>Finish</i> |
|---------------------------------|-----------|----------------------------|
| 510511465                       | 0,025     | EPDM<br><i>EPDM</i>        |

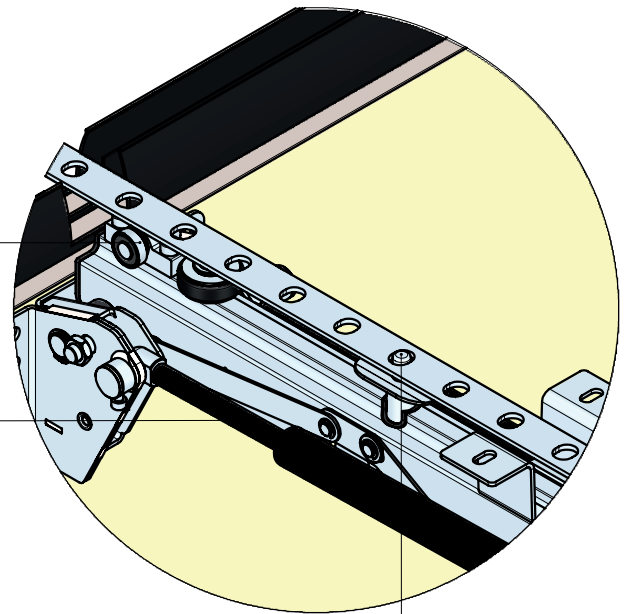
**AUTOMATYCZNY - AUTOMATIC**



System przesuwny z rolkami ślizgowymi.  
*Sliding system with bearings.*

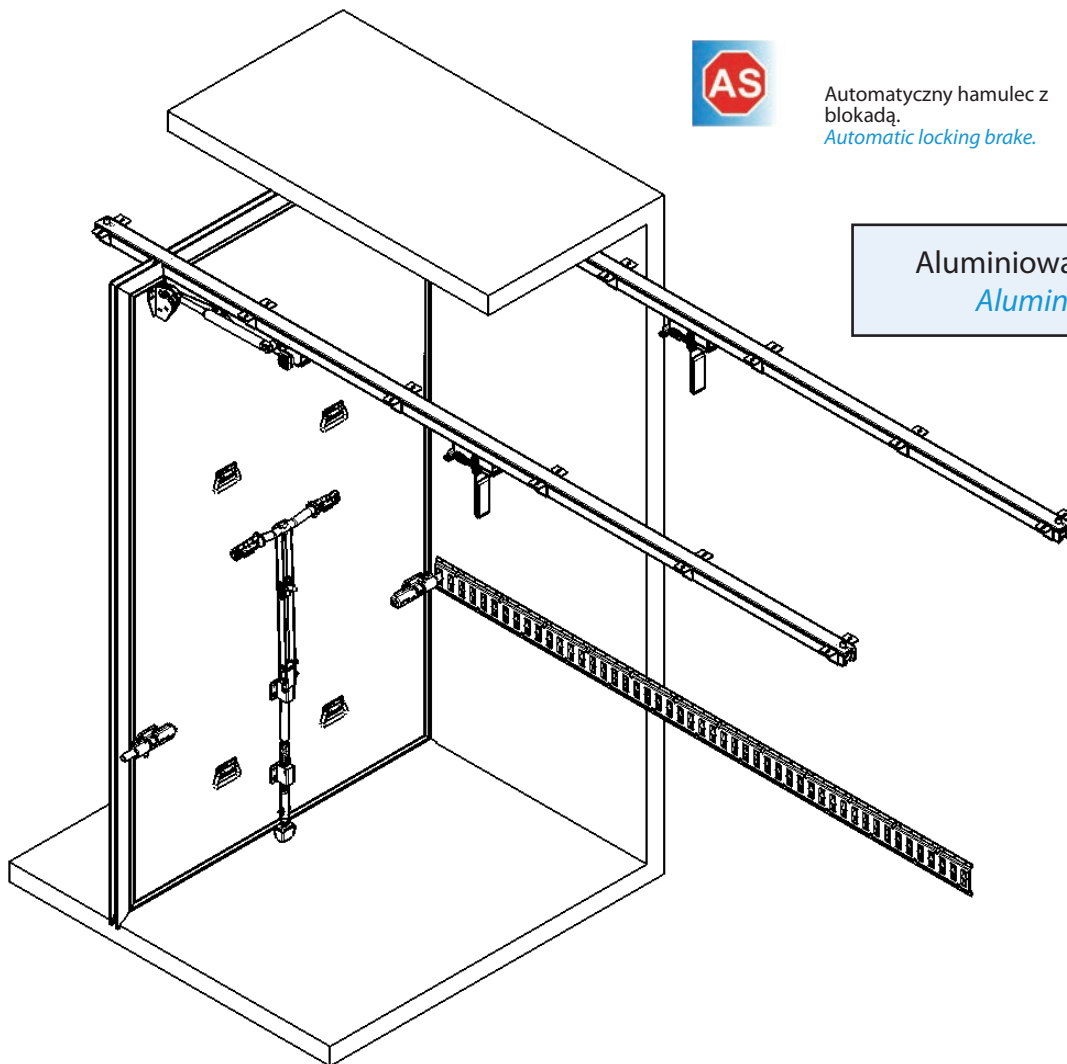


Wraz ze sprężynami 4/8.  
*With 4/8 gas springs.*

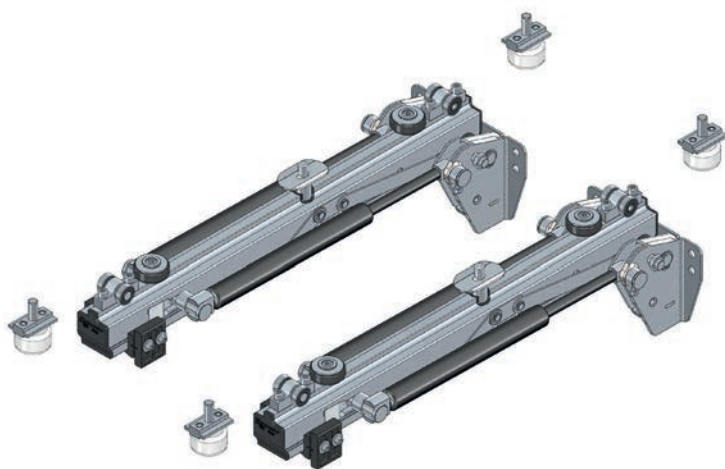


Automatyczny hamulec z blokadą.  
*Automatic locking brake.*

Aluminiowa szyna przesuwna.  
*Aluminium sliding rail*



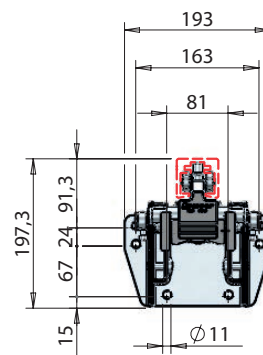
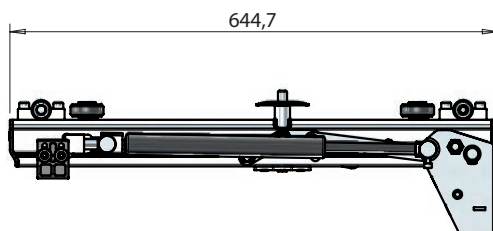
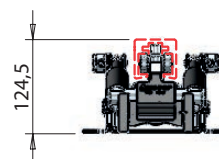
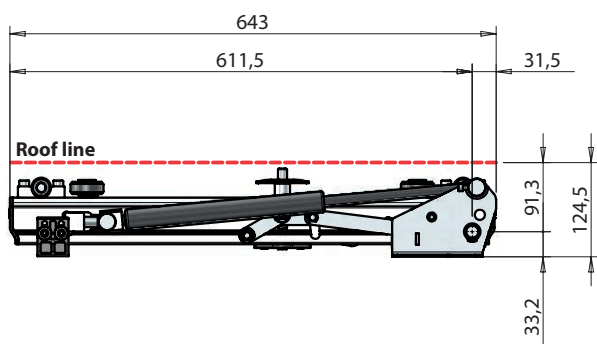
**AUTOMATYCZNY - AUTOMATIC**



Zestaw podnośnika automatycznego łożyskowego z 4 sprężynami gazowymi. Szyna prowadnicy aluminiowa. *Furgocar*  
INNOVATION QUALITY  
*Automatic power lift kit, roller bearings with 4 gas springs, aluminium power lift rail profile.*

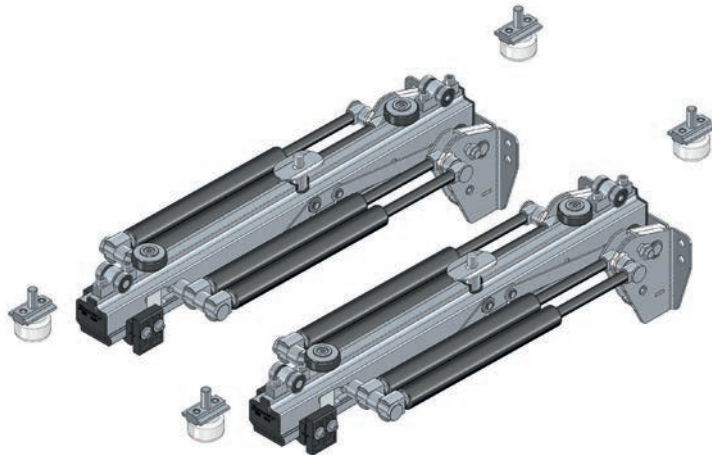
| Nr katalog.<br>Reference | Kg     | Zakończyć<br>Finish    |
|--------------------------|--------|------------------------|
| 510510863                | 15,208 | Aluminium<br>Aluminium |

Podać siłę ściskającą sprężyny przy składaniu zamówienia  
*Specify gas spring force when ordering*





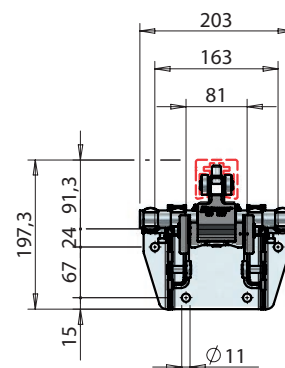
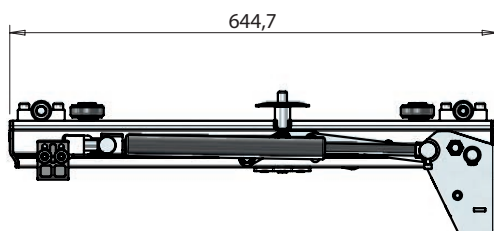
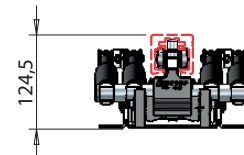
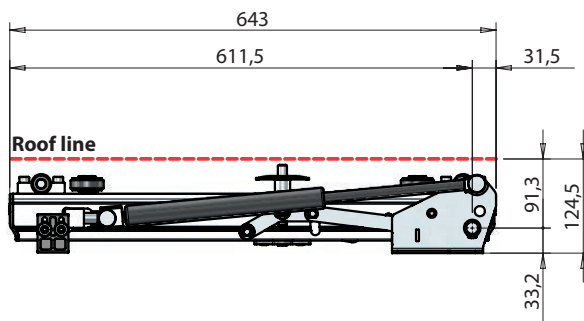
### AUTOMATYCZNY - *AUTOMATIC*



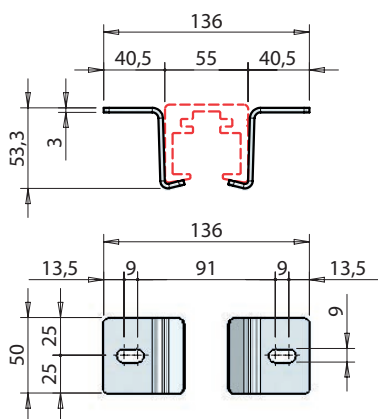
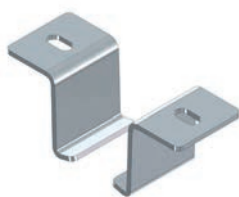
Zestaw podnośnika automatycznego łożyskowego z 8 sprężynami gazowymi. Szyna prowadnicy aluminiowa. **Furgocar** MAX QUALITY  
*Automatic power lift kit, roller bearings with 8 gas springs, aluminium power lift rail profile.*

| Nr katalog.<br><i>Reference</i> | $\frac{\circ}{\text{Kg}}$ | Zakończyć<br><i>Finish</i>    |
|---------------------------------|---------------------------|-------------------------------|
| 510510864                       | 18,188                    | Aluminium<br><i>Aluminium</i> |

Podać siłę ściskającą sprężyny przy składaniu zamówienia  
*Specify gas spring force when ordering*



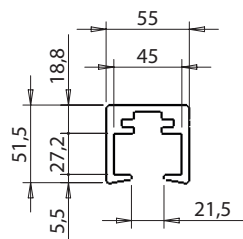
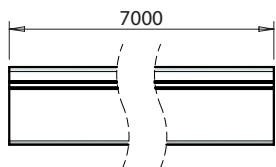
AKCESORIA I CZĘŚCI ZAMIENNE - ACCESSORIES AND SPARE PARTS



Wsporniki do szyny prowadnicy z aluminium.  
*Fixing support bracket, pair, power lift aluminium rail profile.*

**Furgocar**  
INNOX QUALITY

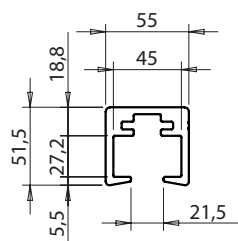
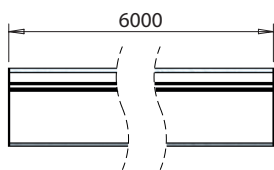
| Nr katalog.<br>Reference | Kg    | Zakończyć<br>Finish                |
|--------------------------|-------|------------------------------------|
| 510510554                | 0,225 | Stal nierdzewna<br>Stainless steel |



Szyna prowadnicy do podnośnika, długość 7000 mm.  
*Power lift rail profile length 7000 mm.*

**Furgocar**  
INNOX QUALITY

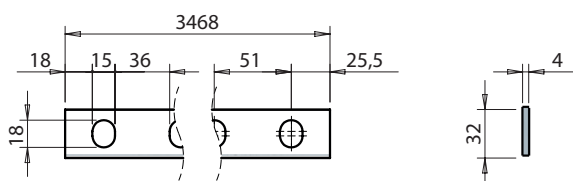
| Nr katalog.<br>Reference | Kg     | Zakończyć<br>Finish    |
|--------------------------|--------|------------------------|
| 510510555                | 21,125 | Aluminium<br>Aluminium |



Szyna prowadnicy do podnośnika, długość 6000 mm.  
*Power lift rail profile length 6000 mm.*

**Furgocar**  
INNOX QUALITY

| Nr katalog.<br>Reference | Kg     | Zakończyć<br>Finish    |
|--------------------------|--------|------------------------|
| 510510555A               | 18,107 | Aluminium<br>Aluminium |



Listwa odwiercona dla szyny aluminiowej.  
*Locking track for power lift rail.*

**Furgocar**  
INNOX QUALITY

| Nr katalog.<br>Reference | Kg    | Zakończyć<br>Finish    |
|--------------------------|-------|------------------------|
| 510510556                | 0,965 | Aluminium<br>Aluminium |

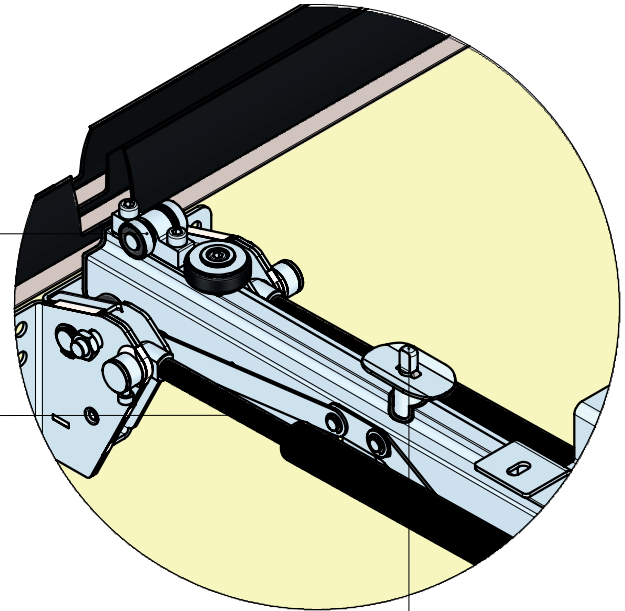
**AUTOMATYCZNY - AUTOMATIC**



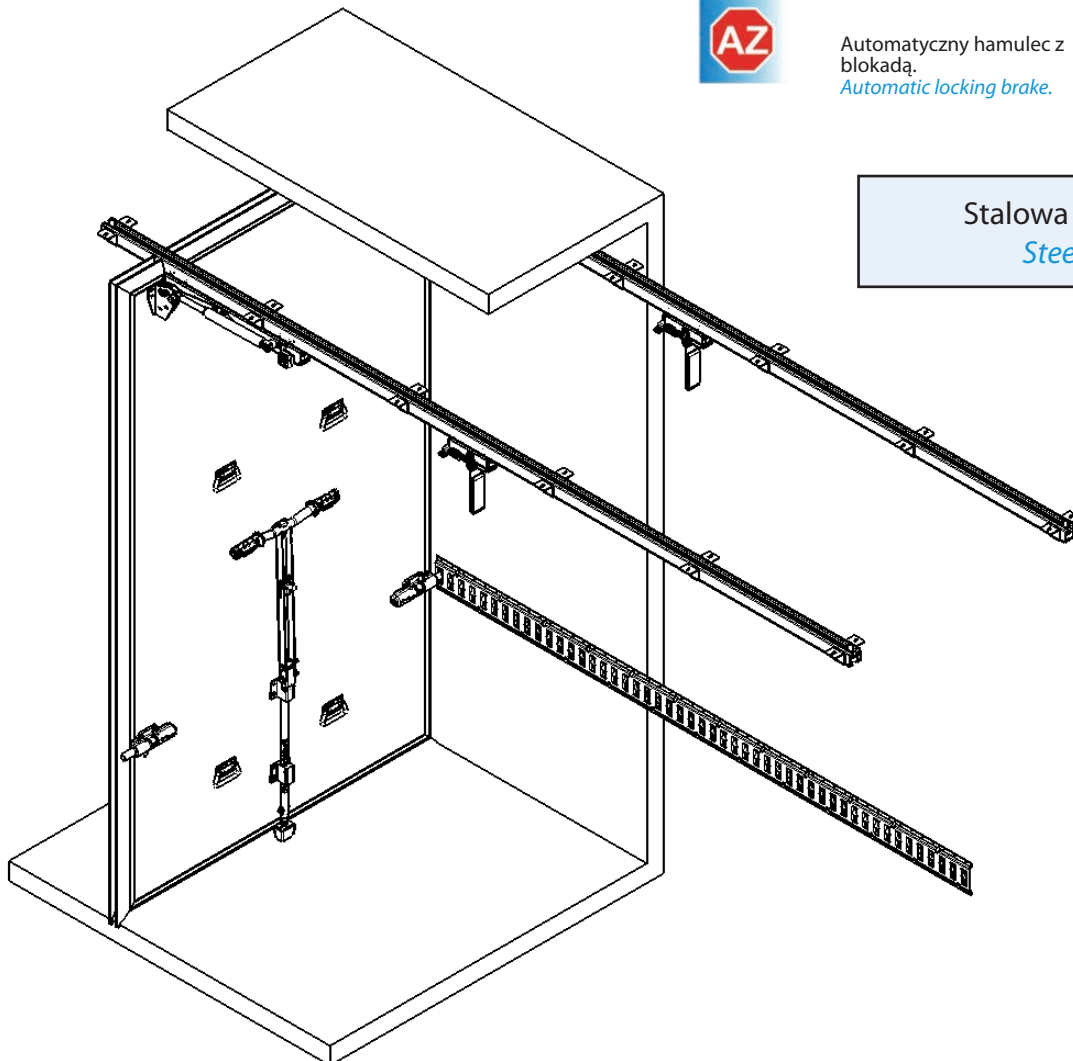
System przesuwny z rolkami ślizgowymi.  
*Sliding system with bearings.*



Wraz z ze sprężynami gazowymi 4/8.  
*With 4/8 gas springs.*

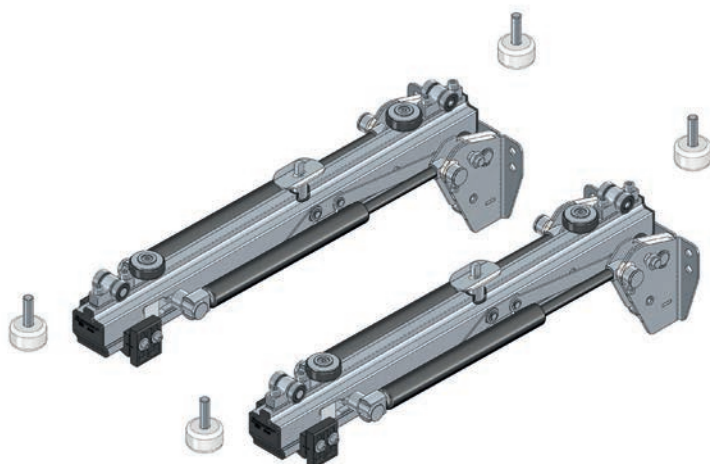


Automatyczny hamulec z blokadą.  
*Automatic locking brake.*



Stalowa szyna ślizgowa.  
*Steel sliding rail*

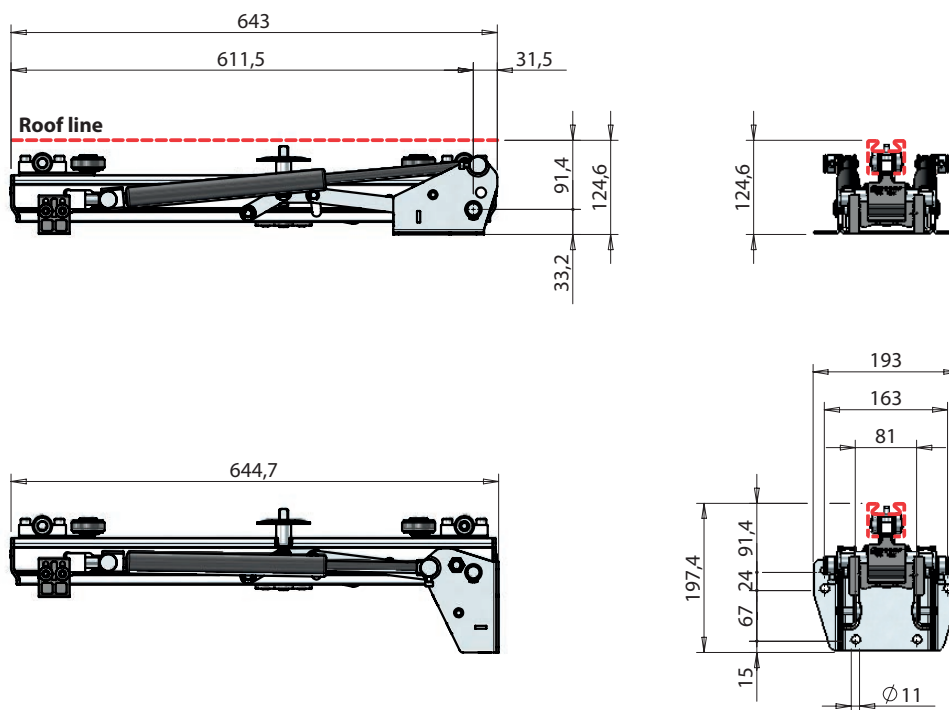
**AUTOMATYCZNY - AUTOMATIC**



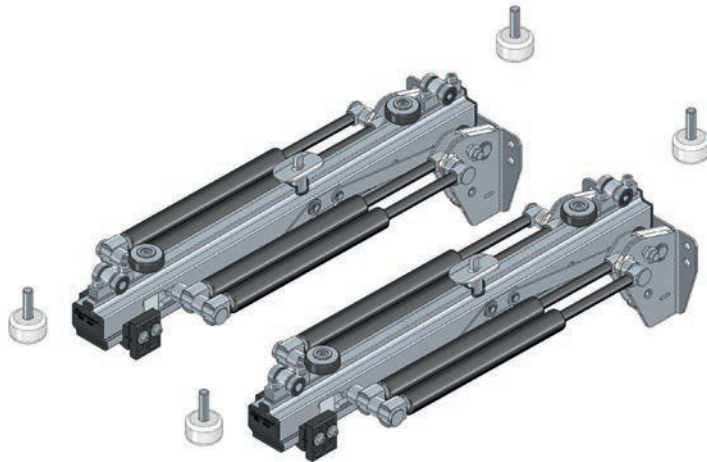
Zestaw podnośnika automatycznego łożyskowego z 4 sprężynami gazowymi. Szyna prowadnicy stalowa. *Furgocar*  
ISO 9001:2015  
*Automatic power lift kit, roller bearings with 4 gas springs. Power lift steel rail profile.*

| Nr katalog.<br>Reference | Kg     | Zakończyć<br>Finish    |
|--------------------------|--------|------------------------|
| 510511030                | 16,000 | Aluminium<br>Aluminium |

Podać siłę ściskającą sprężyny przy składaniu zamówienia  
*Specify gas spring force when ordering*



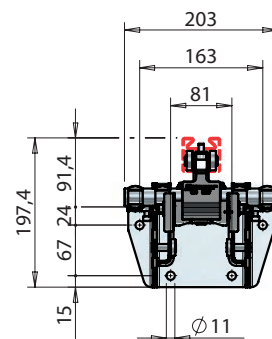
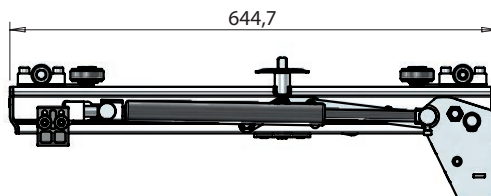
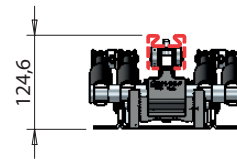
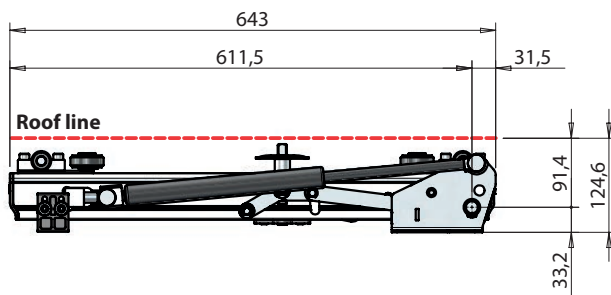
### AUTOMATYCZNY - *AUTOMATIC*



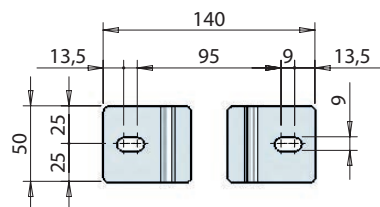
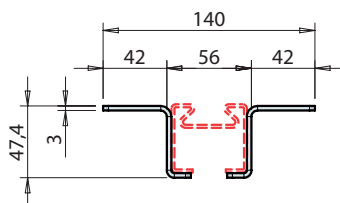
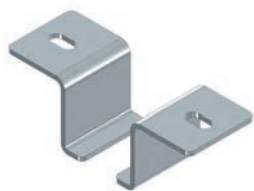
Zestaw podnośnika automatycznego łożyskowego z 8 sprężynami gazowymi. Szyna prowadnicy aluminiowa. **Furgocar** MAX QUALITY  
*Automatic power lift kit, roller bearings with 8 gas springs. Power lift steel rail profile.*

| Nr katalog.<br><i>Reference</i> |  <i>Kg</i> | Zakończyć<br><i>Finish</i>    |
|---------------------------------|---|-------------------------------|
| 510511031                       | 18,188  | Aluminium<br><i>Aluminium</i> |

Podać siłę ściskającą sprężyny przy składaniu zamówienia  
*Specify gas spring force when ordering*



AKCESORIA I CZĘŚCI ZAMIENNE - ACCESSORIES AND SPARE PARTS

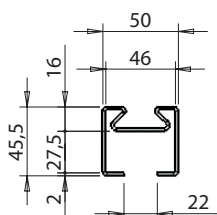
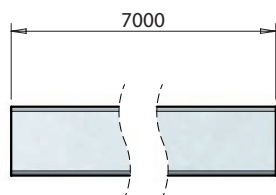


Wsporniki do szyny prowadnicy stalowe.



Fixing support brackets, pair, for power lift steel rail profile.

| Nr katalog.<br>Reference | $\frac{Kg}{m}$ | Zakończyć<br>Finish       |
|--------------------------|----------------|---------------------------|
| 510511016                | 0,225          | Ocynkowana<br>Zinc Plated |



Szyna prowadnicy, długość 7000 mm.



Power lift rail profile length 7000 mm.

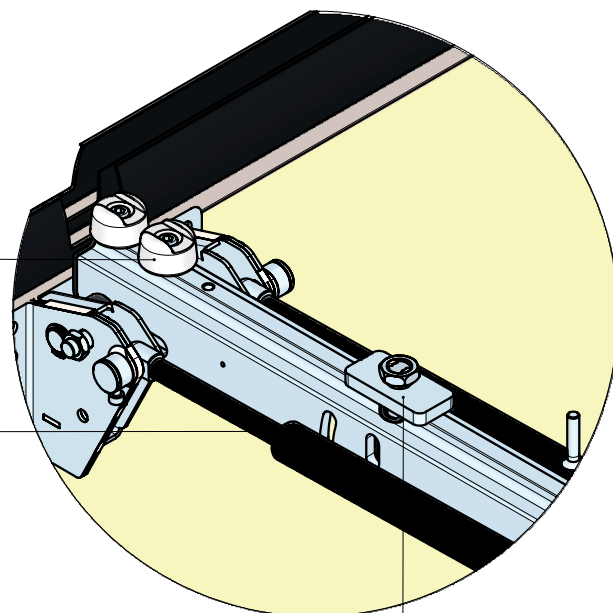
| Nr katalog.<br>Reference | $\frac{Kg}{m}$ | Zakończyć<br>Finish       |
|--------------------------|----------------|---------------------------|
| 510511463                | 21,560         | Ocynkowana<br>Zinc Plated |



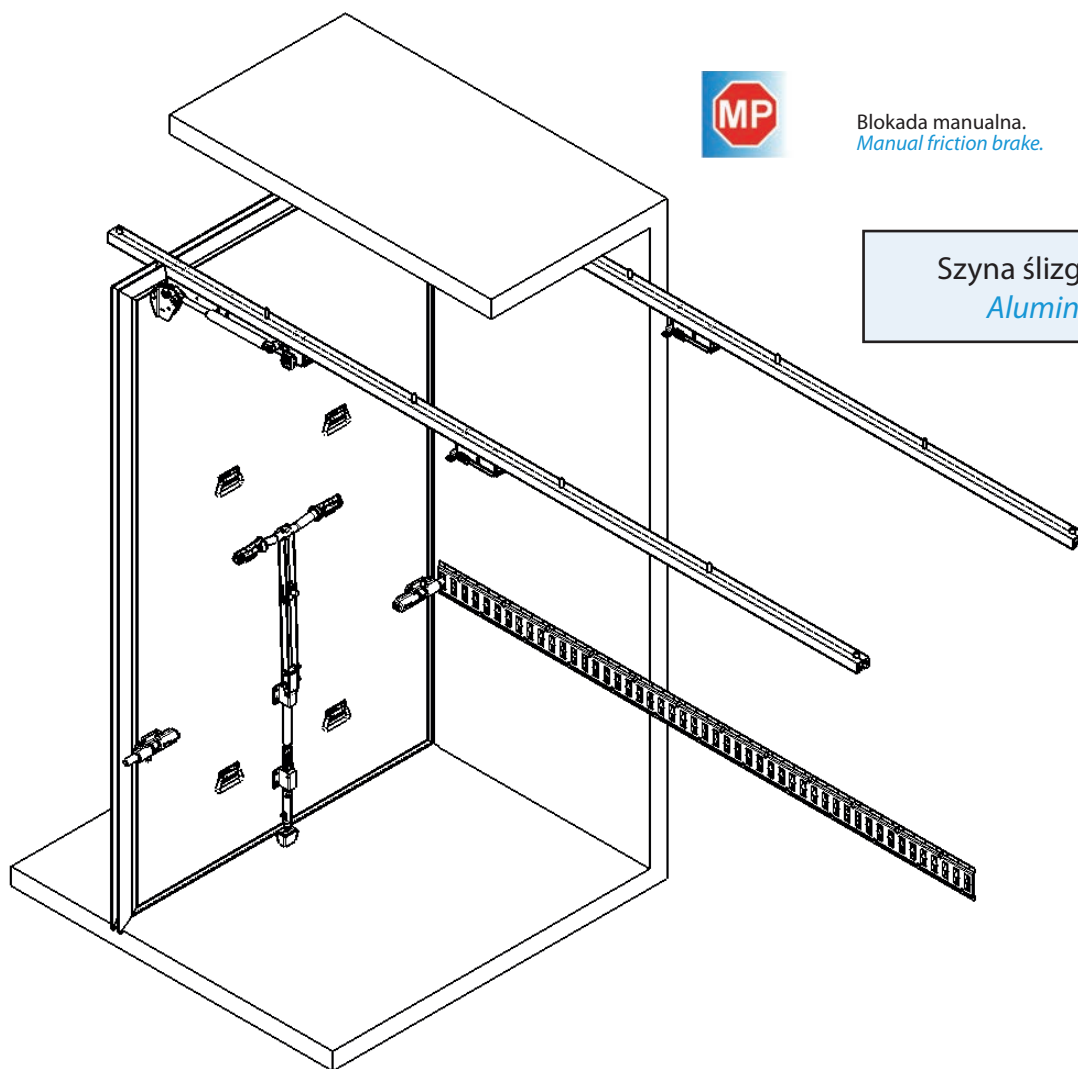
System ślizgowy z rolkami.  
*Sliding system with rollers.*



Wraz z sprężynami  
gazowymi 4/8.  
*With 4/8 gas springs.*



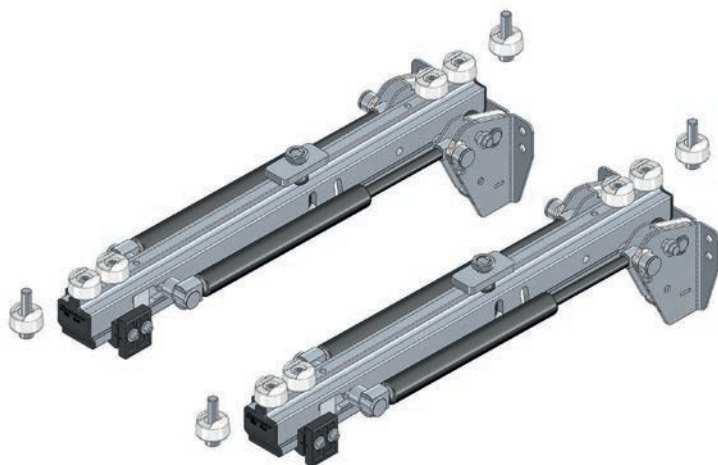
Blokada manualna.  
*Manual friction brake.*



Szyna ślizgowa z aluminium.  
*Aluminium sliding rail*



MANUEL - *MANUAL*

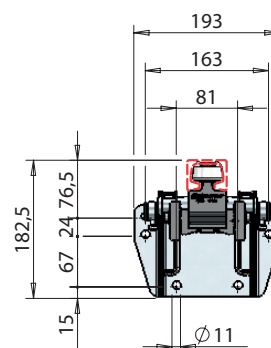
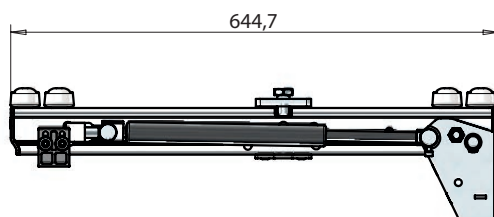
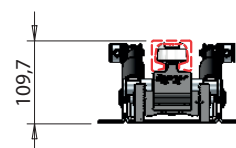
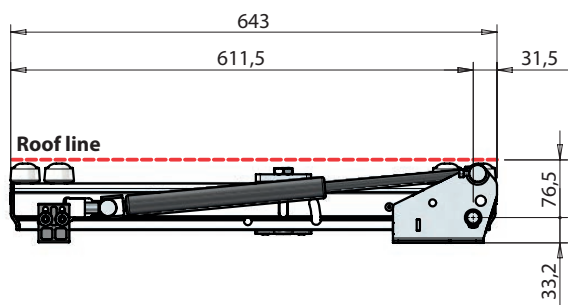


Podnośnik ręczny z rolkami przesuwными i 4 sprężynami gazowymi. Szyna typu szafa z wieszakami na mięso. *Manual power lift kit, rollers, with 4 gas springs, hook rail profile.*

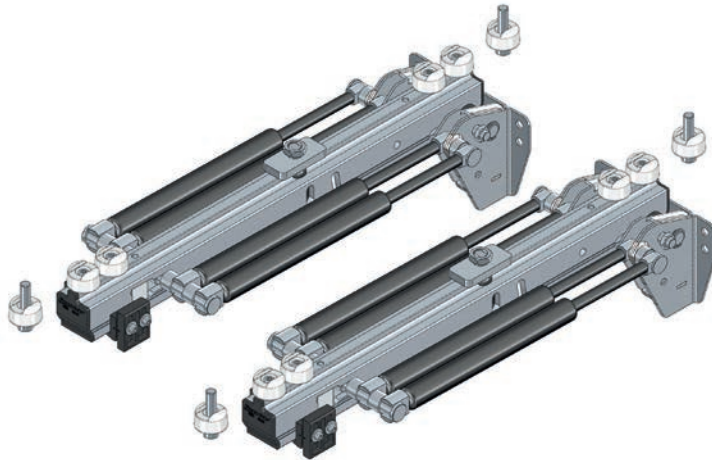
**Furgocar**  
ISO 9001:2015

| Nr katalog.<br>Reference | Kg     | Zakończyć<br>Finish    |
|--------------------------|--------|------------------------|
| 510510867                | 14,912 | Aluminium<br>Aluminium |


Podać siłę ściskającą sprężyny przy składaniu zamówienia  
*Specify gas spring force when ordering*



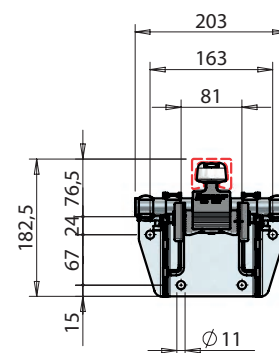
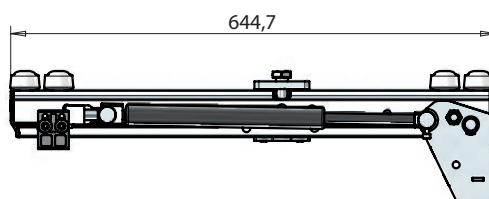
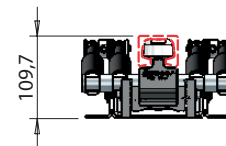
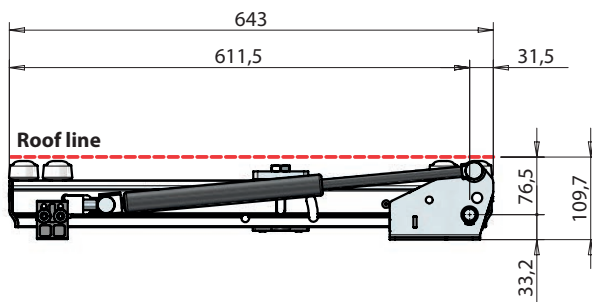




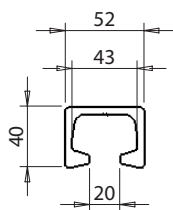
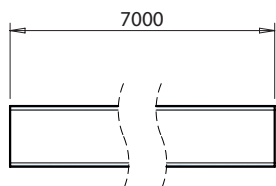
Podnośnik ręczny z rolkami przesuwными i 8 sprężynami gazowymi. Furgocar  
MAX QUALITY  
 Szyna typu szafa z wieszakami na mięso.  
*Manual power lift kit, rollers, with 8 gas springs, hook rail profile.*

| Nr katalog.<br>Reference |  Kg | Zakończyć<br>Finish    |
|--------------------------|--|------------------------|
| 510510868                | 17,996   | Aluminium<br>Aluminium |

Podać siłę ściskającą sprężyny przy składaniu zamówienia  
*Specify gas spring force when ordering*



AKCESORIA I CZĘŚCI ZAMIENNE - ACCESSORIES AND SPARE PARTS

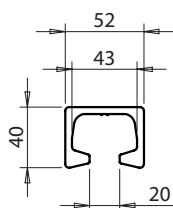
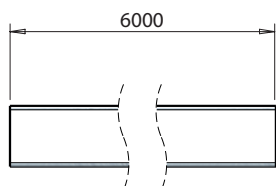


Profil szynowy 52 x 40 x 7000 mm.  
Hook rail profile 52 x 40 x 7000 mm.

Furgocar  
INNOX QUALITY



| Nr katalog.<br>Reference | Kg     | Zakończyć<br>Finish    |
|--------------------------|--------|------------------------|
| 800507247                | 15,000 | Aluminium<br>Aluminium |

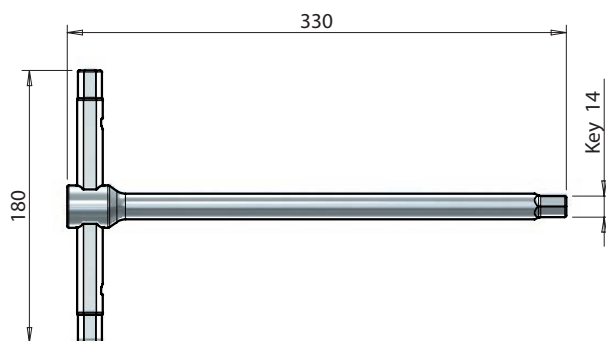


Profil szynowy 52 x 40 x 6000 mm.  
Hook rail profile 52 x 40 x 6000 mm.

Furgocar  
INNOX QUALITY



| Nr katalog.<br>Reference | Kg     | Zakończyć<br>Finish    |
|--------------------------|--------|------------------------|
| 800507246                | 12,857 | Aluminium<br>Aluminium |

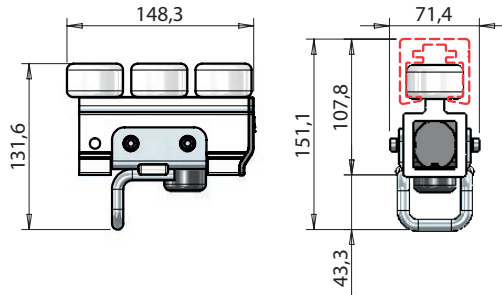


Klucz Allen w kształcie T 14 mm.  
«T» Allen key for 14 mm.

Furgocar  
INNOX QUALITY


| Nr katalog.<br>Reference | Kg    | Zakończyć<br>Finish                |
|--------------------------|-------|------------------------------------|
| 740510817                | 0,880 | Stal nierdzewna<br>Stainless steel |

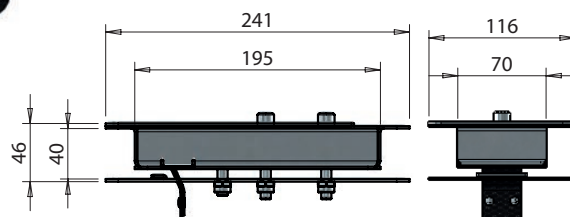
### AKCESORIA I CZĘŚCI ZAMIENNE - ACCESSORIES AND SPARE PARTS



Ręczny system blokady dla podnośnika automatycznego. Szyna prowadnicy aluminiowa.  
*Automatic stowing device. Aluminium rail profile.*


**Furgocar**  
ENOX QUALITY

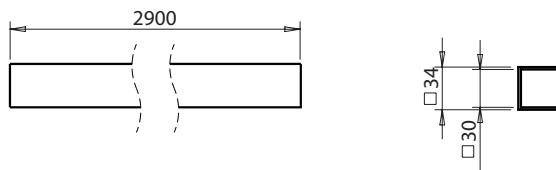
| Nr katalog.<br>Reference |  Kg | Zakończyć<br>Finish    |
|--------------------------|--|------------------------|
| 510511155                | 0,925  | Aluminium<br>Aluminium |



Płyta oporowa systemu blokującego.  
*Catch plate for automatic power liftstowing device.*


**Furgocar**  
ENOX QUALITY

| Nr katalog.<br>Reference |  Kg | Zakończyć<br>Finish                |
|--------------------------|--|------------------------------------|
| 510511157                | 2,265  | Stal nierdzewna<br>Stainless steel |

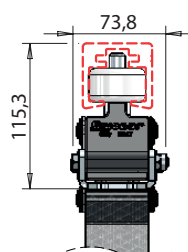
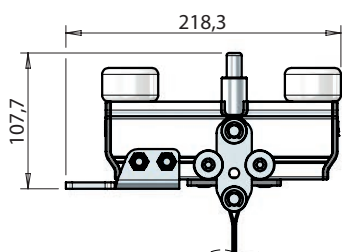
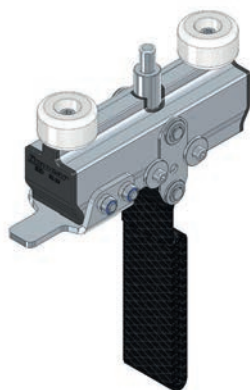


Prowadnica czworokątna  
34 x 2 x 2900 mm.  
*Square tube 34 x 2 x 2900 mm.*

**Furgocar**  
ENOX QUALITY

| Nr katalog.<br>Reference |  Kg | Zakończyć<br>Finish    |
|--------------------------|--|------------------------|
| 605010891                | 2,189  | Aluminium<br>Aluminium |

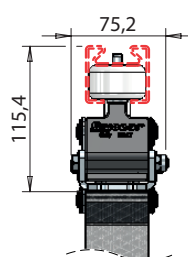
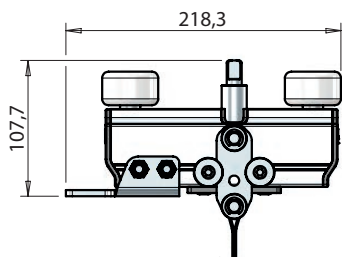
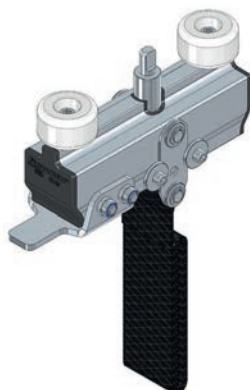
AKCESORIA I CZĘŚCI ZAMIENNE - ACCESSORIES AND SPARE PARTS



Ręczny system blokady dla podnośnika automatycznego.  
Manual stowing device for automatic operation power lift. Aluminium rail profile.

Furgocar  
ISO 9001:2015

| Nr katalog.<br>Reference | Kg    | Zakończyć<br>Finish    |
|--------------------------|-------|------------------------|
| 510510872                | 1,438 | Aluminium<br>Aluminium |

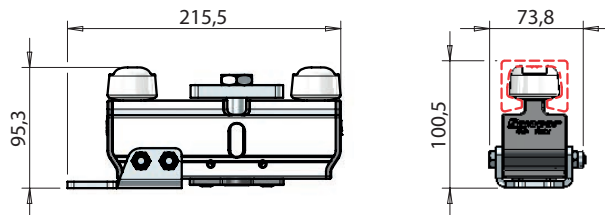
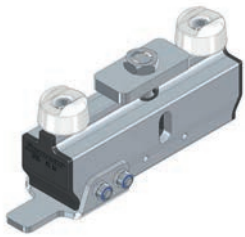


Ręczny system blokady dla podnośnika automatycznego. Szyna prowadnicy stalowa.  
Manual stowing device for automatic operation power lift. Steel rail profile.

Furgocar  
ISO 9001:2015

| Nr katalog.<br>Reference | Kg    | Zakończyć<br>Finish    |
|--------------------------|-------|------------------------|
| 510511029                | 1,600 | Aluminium<br>Aluminium |

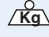
### AKCESORIA I CZĘŚCI ZAMIENNE - ACCESSORIES AND SPARE PARTS

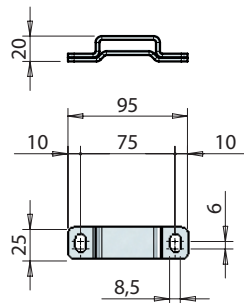


Ręczny system blokady dla podnośnika ręcznego. Szyna typu szafa z wieszakami na mięso.

*Manual stowing device for automatic operation power lift. Hook rail profile.*

**Furgocar**  
BEST QUALITY

| Nr katalog.<br>Reference |  Kg | Zakończyć<br>Finish    |
|--------------------------|--|------------------------|
| 510510874                | 1,426  | Aluminium<br>Aluminium |



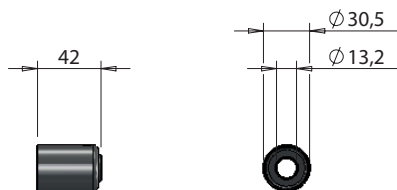
Płyta oporowa systemu blokującego.


*Catch plate for manually operated power lift.*


**Furgocar**  
BEST QUALITY

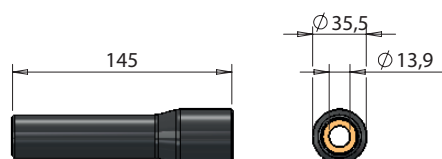
| Nr katalog.<br>Reference |  Kg | Zakończyć<br>Finish                |
|--------------------------|--|------------------------------------|
| 510510608                | 0,110  | Stal nierdzewna<br>Stainless steel |


**AKCESORIA I CZĘŚCI ZAMIENNE - ACCESSORIES AND SPARE PARTS**




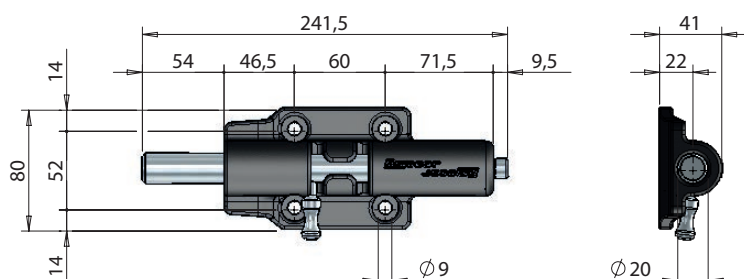
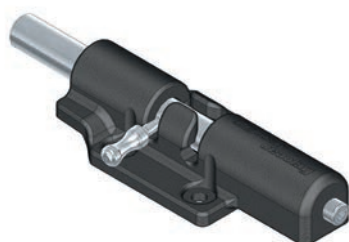
Oslona ochronna sprężyny gazowej.   
Rubber protection cover for gas spring ISO 9001:2015  
of power lift.


| Nr katalog.<br>Reference |  Kg | Zakończyć<br>Finish   |
|--------------------------|--|-----------------------|
| 710511283                | 0,004  | Plastikowy<br>Plastic |




Rura ochronna dla sprężyny gazowej.   
Double stage protective sleeve for  
power lift gas springs.

| Nr katalog.<br>Reference |  Kg | Zakończyć<br>Finish    |
|--------------------------|--|------------------------|
| 510510925                | 0,166  | Aluminium<br>Aluminium |





Rygiel sprężynowy dla przegrody przestawnej.   
Spring loaded bolt for partition wall.

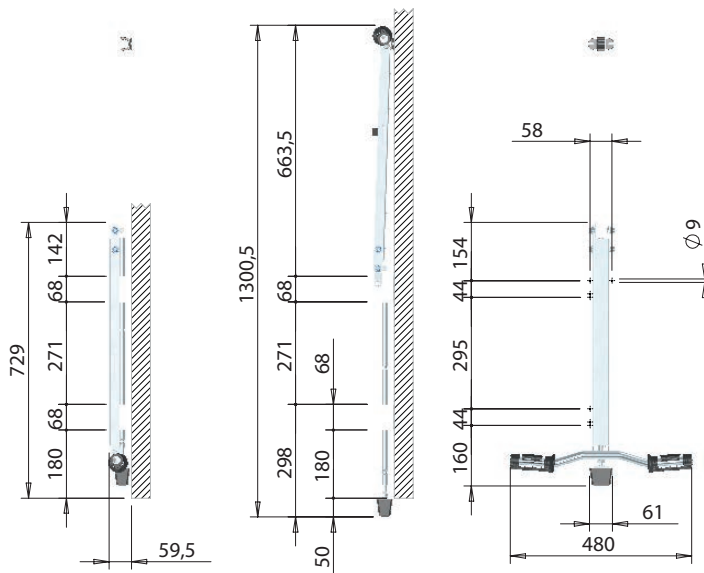
| Nr katalog.<br>Reference |  Kg | Zakończyć<br>Finish   |
|--------------------------|--|-----------------------|
| 741211058                | 0,680  | Plastikowy<br>Plastic |

**AKCESORIA I CZĘŚCI ZAMIENNE - ACCESSORIES AND SPARE PARTS**




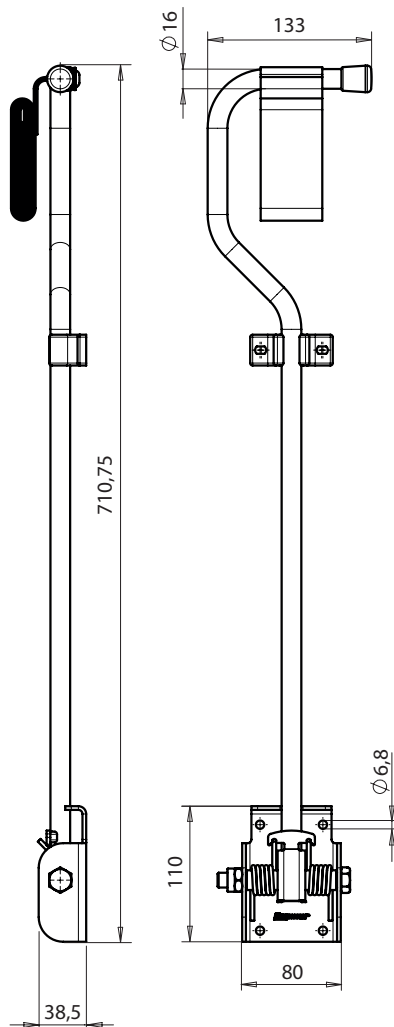
Zamknięcie przegubowe nakładane  do blokady przegrody w podłodze.  
*External articulated locking gear to block the partition wall to the floor.*

| Nr katalog.<br>Reference |  Kg | Zakończyć<br>Finish                |
|--------------------------|--|------------------------------------|
| 510511279                | 4,381  | Stal nierdzewna<br>Stainless steel |

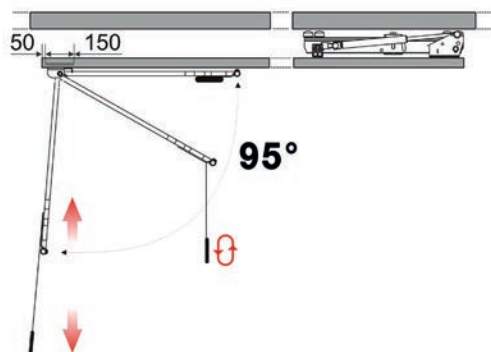


**AKCESORIA I CZĘŚCI ZAMIENNE - ACCESSORIES AND SPARE PARTS**

Uchwyt manewrowy do blokady przegrody do dachu.   
 External articulated lever to block partition wall horizontally.

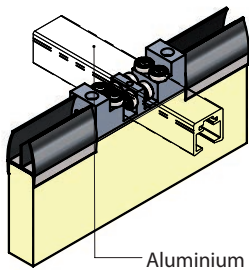
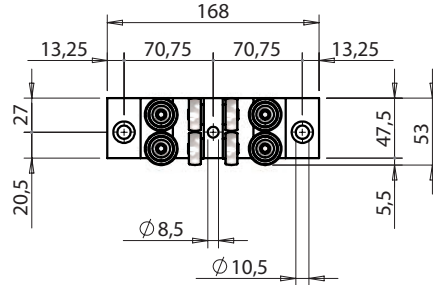
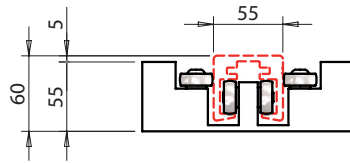
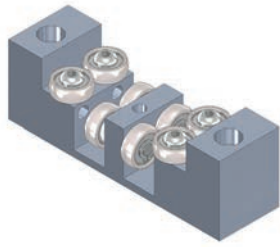


| Nr katalog.<br>Reference |  Kg | Zakończyć<br>Finish                |
|--------------------------|--|------------------------------------|
| 510511689                | 1,25   | Stal nierdzewna<br>Stainless steel |





### INNE SYSTEMY PRZEGRÓD PRZESUWANYCH - OTHER PARTITION WALL SYSTEMS



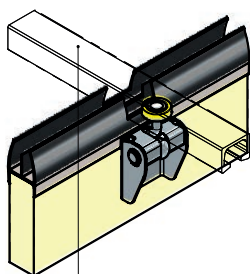
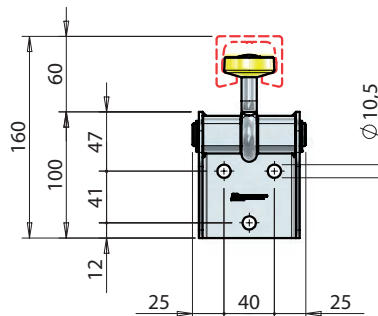
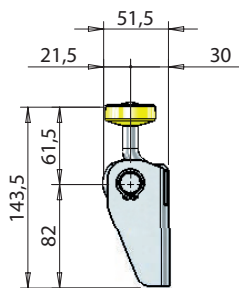
Aluminium 510510555 [L.7000]  
510510555A [L.6000]  
510510555B [L.7700]



Blok przesuwny dla przegrody.  
Ciężar przegrody 80 kg.  
*Sliding block for partition wall. Max partition wall weight 80 kg.*

**Furgocar**  
EMOX QUALITY


| Nr katalog.<br>Reference |  Kg | Zakończyć<br>Finish    |
|--------------------------|--|------------------------|
| 510511667                | 1,010  | Aluminium<br>Aluminium |



Aluminium 800507247

2 bloki przesuwne dla przegrody.  
Ciężar przegrody 40 kg maxi.  
*Sliding and elevation block with rollers x 2 for partition wall. Max partition wall weight 40 kg.*

**Furgocar**  
EMOX QUALITY

| Nr katalog.<br>Reference |  Kg | Zakończyć<br>Finish                |
|--------------------------|--|------------------------------------|
| 510511046                | 1,516  | Stal nierdzewna<br>Stainless steel |



# AKCESORIA DO WYWROTEK I PŁYT PRZYCZEPY

Zawiasy, rygle, przeguby, okucia, rolki

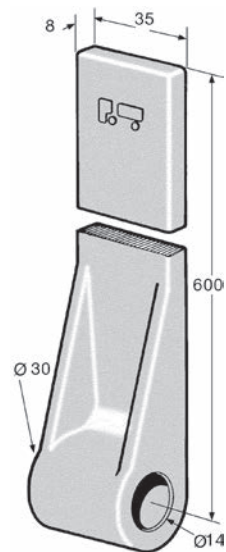
## **TIPER ACCESSORIES**

*Hinges, locking, articulations, fobs, rollers*




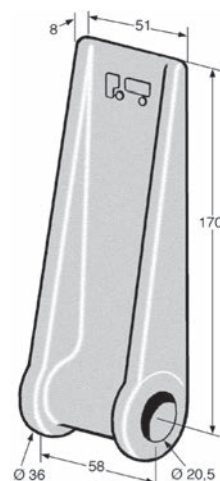


**PŁETWY, UCHWYTY WIDELKOWE I ZATYCZKI - HINGES, BRACKETS AND END-FITTINGS**




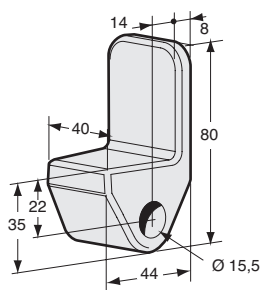
Płetwa zawiasu, stal kuta matrycowo.  
*Drop forged steel hinge.*

| Nr katalog.<br>Reference |  Kg | Ø  |
|--------------------------|--|----|
| 3444400                  | 1,42   | 14 |



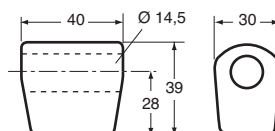
Płetwa zawiasu Ø 20 mm, stal kuta matrycowo.  
*Drop forged steel hinge Ø 20 mm.*

| Nr katalog.<br>Reference |  Kg | Ø    |
|--------------------------|---|------|
| 3444037                  | 1,035   | 20,5 |



Zawias, stal kuta matrycowo.  
*Drop forged steel hinge.*

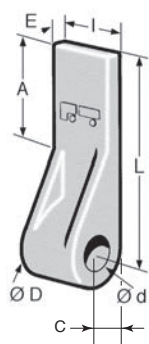
| Nr katalog.<br>Reference |  Kg | Ø    |
|--------------------------|--|------|
| 3444115                  | 0,42   | 15,5 |



Końcówka zawiasu, stal kuta matrycowo.  
*Drop forged steel hinge.*

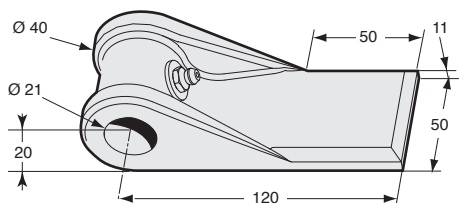
| Nr katalog.<br>Reference |  Kg | Ø    |
|--------------------------|--|------|
| 3444114                  | 0,245  | 14,5 |

**PŁETWY, UCHWYTY WIDELKOWE I ZATYCZKI - HINGES, BRACKETS AND END-FITTINGS**



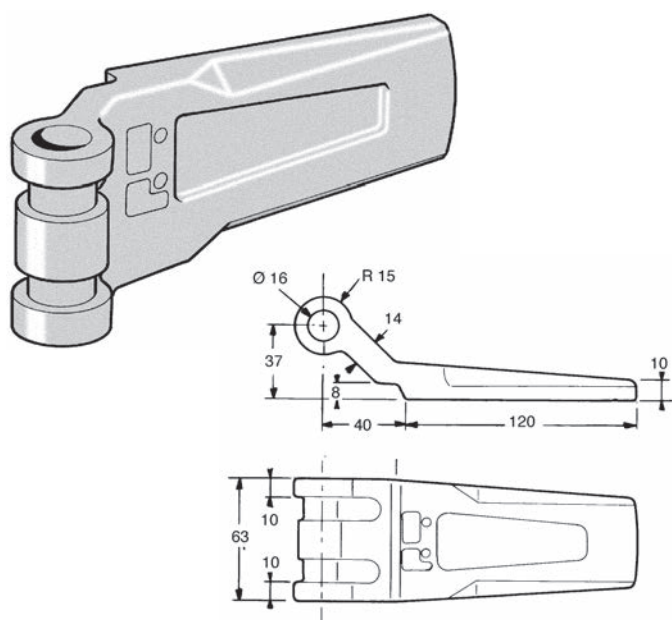
Płetwa zawiasu, stal kuta matrycowo.  
*Drop forged steel hinges.*

| Nr katalog.<br>Reference | $\frac{\text{Kg}}{\text{kg}}$ | A<br>(mm) | C<br>(mm) | ØD<br>(mm) | Ød<br>(mm) | E<br>(mm) | I<br>(mm) | L<br>(mm) |
|--------------------------|-------------------------------|-----------|-----------|------------|------------|-----------|-----------|-----------|
| 3444000                  | 0,36                          | 28        | 14,5      | 30         | 14         | 7         | 35        | 100       |
| 3444005                  | 0,165                         | 37        | 12        | 23         | 12         | 7         | 25        | 70        |
| 3444010                  | 0,475                         | 30        | 15,5      | 30         | 16         | 10        | 40        | 100       |
| 3444020                  | 0,7                           | 14        | 19        | 37         | 20         | 10        | 50        | 110       |



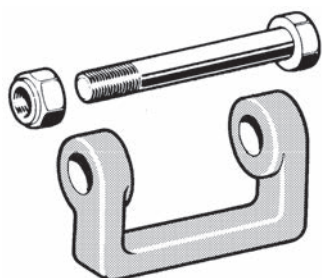
Końcówka płetwy, ze smarowniczką, stal kuta matrycowo.  
*Drop forged steel hinge with grease nipple.*

| Nr katalog.<br>Reference | $\frac{\text{Kg}}{\text{kg}}$ | Ø  |
|--------------------------|-------------------------------|----|
| 3444116                  | 0,79                          | 21 |



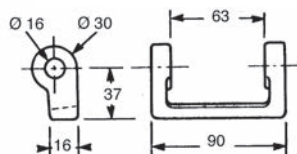
Płetwa zawiasu Ø 16, stal kuta matrycowo.  
*Matrixed steel hinge, Ø 16.*

| Nr katalog.<br>Reference | $\frac{\text{Kg}}{\text{kg}}$ | Ø  |
|--------------------------|-------------------------------|----|
| 3444039                  | 1                             | 16 |

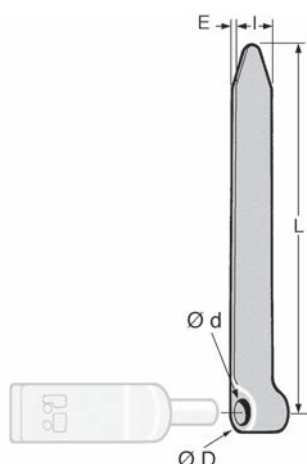


Wąski wspornik zawiasu do przyspawania, stal surowa z cynkowanym trzpieniem Ø 16 x 110 i nakrętką samohamowną.  
*Narrow hinge bracket to weld, self colour steel, with zinc plated locknut and Ø 16 x 110 pin.*


| Nr katalog.<br>Reference | $\frac{\text{Kg}}{\text{kg}}$ | Ø  |
|--------------------------|-------------------------------|----|
| 2704446                  | 0,35                          | 16 |

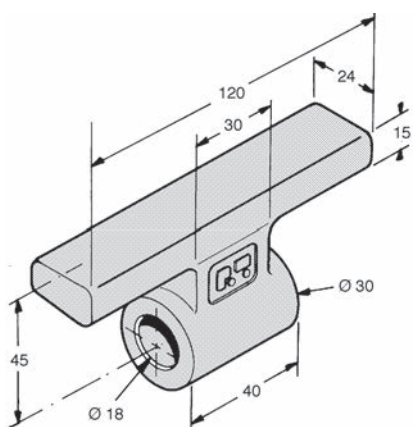


**PŁETWY, UCHWYTY WIDELKOWE I ZATYCZKI - HINGES, BRACKETS AND END-FITTINGS**




Płetwy zawiasów, stal kuta matrycowo.  
*Drop forged steel hinge.*

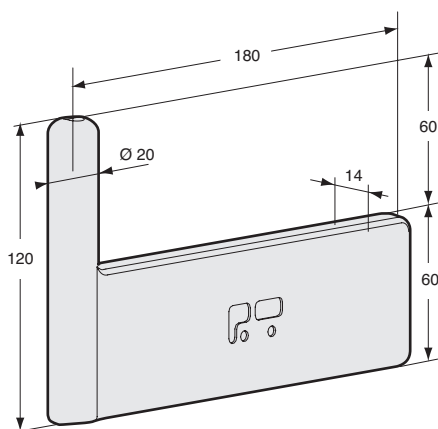
| Nr katalog.<br>Reference |  Kg | ØD<br>(mm) | Ød<br>(mm) | E<br>(mm) | I<br>(mm) | L<br>(mm) |
|--------------------------|--|------------|------------|-----------|-----------|-----------|
| 3444031                  | 0,44   | 28         | 12         | 8         | 25        | 260       |




Uchwyt ze stali surowej do przyspawania.  
*Self colour steel weld-on hinge bracket.*

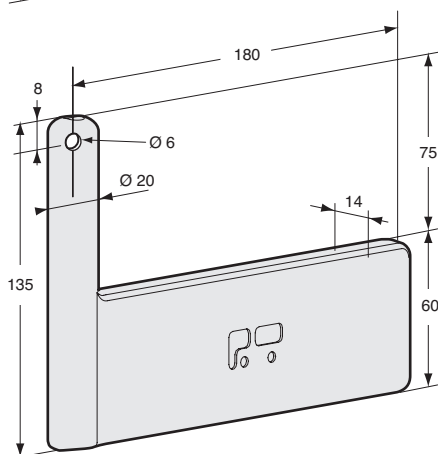
| Nr katalog.<br>Reference |  Kg | Ø  |
|--------------------------|--|----|
| 3444068                  | 0,525  | 18 |

**CZOPY - GONDGEONS**



Czop „chorągiewka”, stal kuta matrycowo.  
*Drop forged steel gudgeon.*

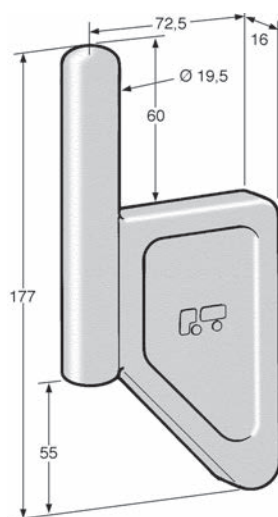
| Nr katalog.<br>Reference |  Kg | Ø  |
|--------------------------|--|----|
| 3444117                  | 1,35   | 20 |



Czop „chorągiewka”, stal kuta matrycowo.  
*Drop forged steel gudgeon.*

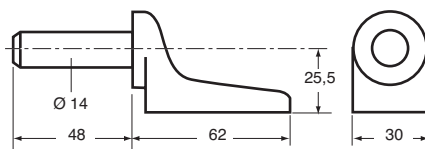
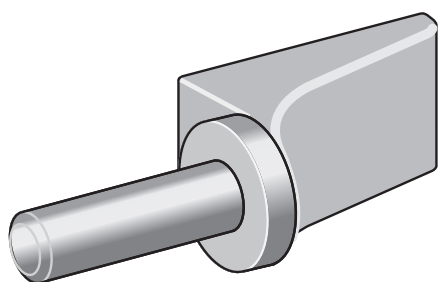
| Nr katalog.<br>Reference |  Kg | Ø  |
|--------------------------|--|----|
| 3444134                  | 1,4  | 20 |

**CZOPY - GONDGEONS**



Czop „chorągiewka”, stal kuta matrycowo.  
*Drop forged steel flag gudgeon.*

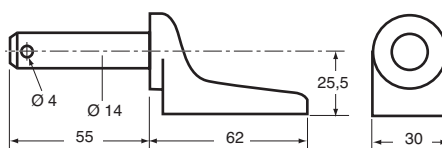
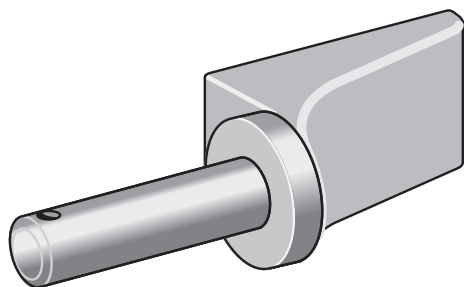
| Nr katalog.<br>Reference | $\frac{Kg}{\Delta}$ | Ø    |
|--------------------------|---------------------|------|
| 3444072                  | 0,795               | 19,5 |



Czop zawiasu do przyspawania, stal kuta matrycowo.

*Drop forged steel gudgeons.*

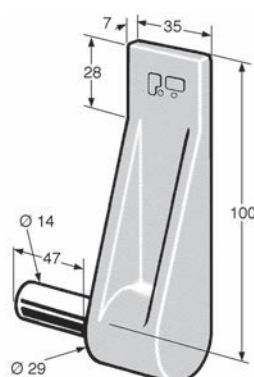
| Nr katalog.<br>Reference | $\frac{Kg}{\Delta}$ | Ø  |
|--------------------------|---------------------|----|
| 3444104SJ                | 0,260               | 14 |



Czop zawiasu do przyspawania, stal kuta matrycowo.

*Drop forged steel gudgeons.*

| Nr katalog.<br>Reference | $\frac{Kg}{\Delta}$ | Ø  |
|--------------------------|---------------------|----|
| 3444105SJ                | 0,275               | 14 |



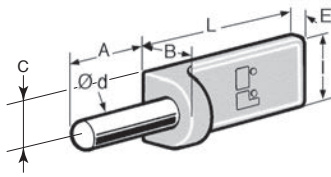
Czop pionowy, stal kuta matrycowo, do przyspawania.

*Drop forged steel gudgeon. As illustrated.*

| Nr katalog.<br>Reference | $\frac{Kg}{\Delta}$ | Ø  | Strona<br>Hand |
|--------------------------|---------------------|----|----------------|
| 3444060 DR               | 0,440               | 14 | Prawa<br>Right |
| 3444060 GA               | 0,440               | 14 | Lewa<br>Left   |



**CZOPY - GONDGEONS**

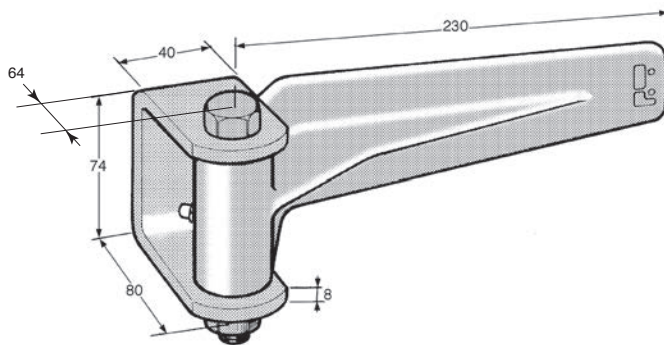


Czopy zawiasów toczone, ze stali kutej matrycowo, do przyspawania z wyjątkiem nr katal. 3444065, 3444066 i 3444067.

*Drop forged steel gudgeons with bright pins except 3444065, 3444066 and 3444067.*

| Nr katalog.<br>Reference | $\triangle$<br>Kg | A<br>(mm) | B<br>(mm) | C<br>(mm) | Ød<br>(mm) | E<br>(mm) | I<br>(mm) | L<br>(mm) |
|--------------------------|-------------------|-----------|-----------|-----------|------------|-----------|-----------|-----------|
| 3404408                  | 0,850             | 67        | 40        | 20        | 20         | 12        | 40        | 115       |
| 3444061                  | 0,300             | 52        | 33        | 17        | 14         | 9         | 33        | 80        |
| 3444065                  | 0,140             | 38        | 24        | 12        | 12         | 7         | 25        | 65        |
| 3444071                  | 0,350             | 56        | 35        | 18        | 16         | 9         | 35        | 83        |

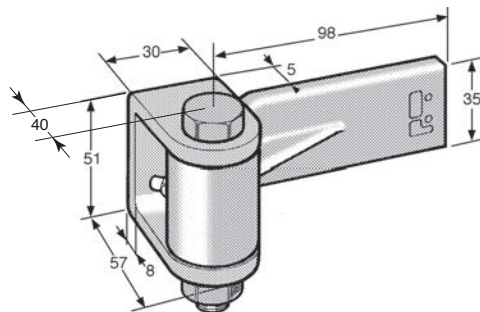
**ZAWIASY - HINGES**



Zawias kuty matrycowo, stal surowa, trzpień Ø 12 mm ze smarowniczką.

*Drop forged steel hinge with grease nipple, pin Ø 12 mm.*

| Nr katalog.<br>Reference | $\triangle$<br>Kg | Ø  |
|--------------------------|-------------------|----|
| 2644414                  | 2                 | 12 |

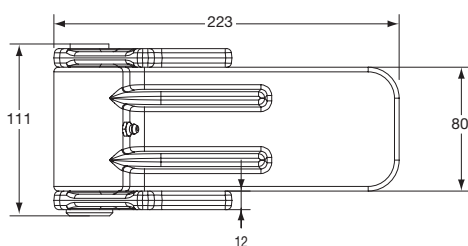


Zawias kuty matrycowo, stal surowa, trzpień Ø 10 mm ze smarowniczką.

*Drop forged steel hinge with lubricator, pin Ø 10 mm.*

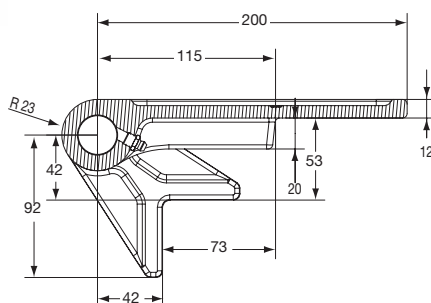
| Nr katalog.<br>Reference | $\triangle$<br>Kg | Ø  |
|--------------------------|-------------------|----|
| 2744418                  | 0,815             | 10 |

ZAWIASY - HINGES

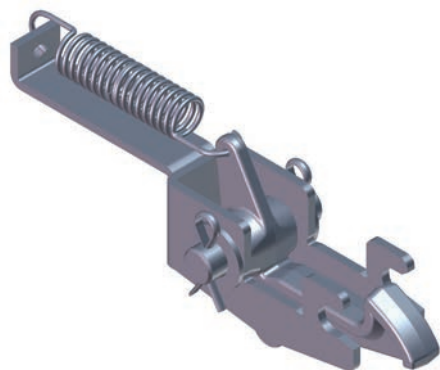


Zawias, stal surowa.  
Hinge, self colour steel.

| Nr katalog.<br>Reference | Kg   |
|--------------------------|------|
| 3444135                  | 3,46 |

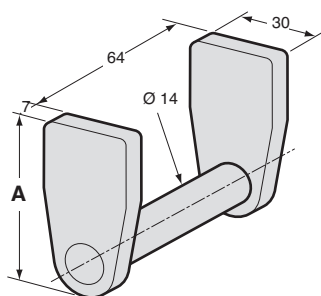
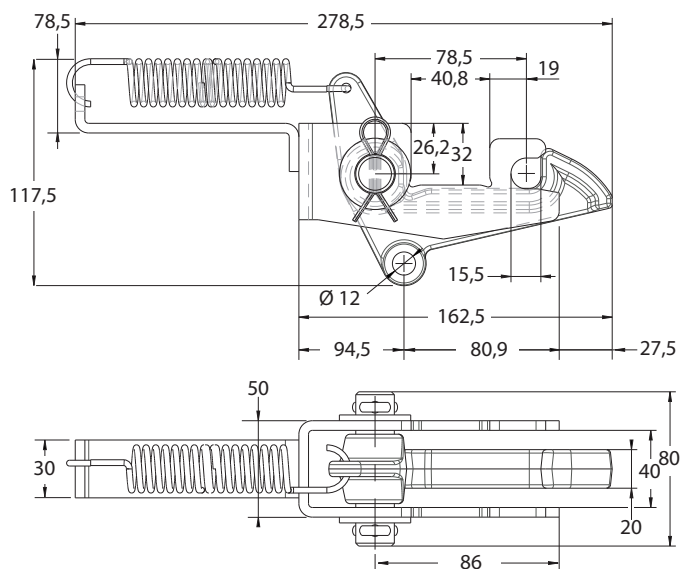


RYGLE BLOKADY I AKCESORIA - LOCKING AND ACCESSORIES



Rygiel blokady skrzyni ładunkowej, stal cynkowana.  
Locking bucket bracket, zinc plated steel.

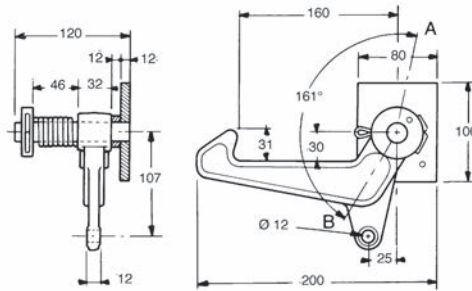
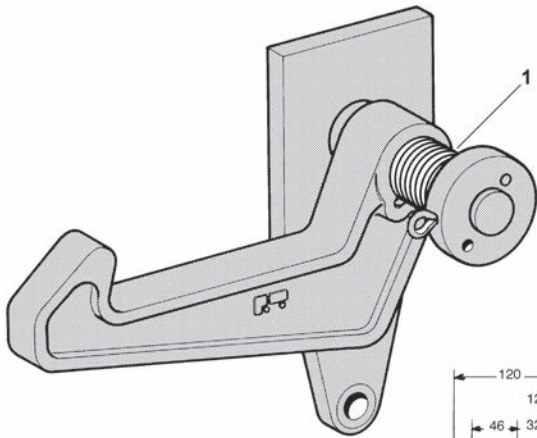
| Nr katalog.<br>Reference | Kg   |
|--------------------------|------|
| 3543595                  | 1,50 |



Zaczep do rygla blokady 3543595.  
Keeper for 3543595.


| Nr katalog.<br>Reference | Kg   | A (mm) |
|--------------------------|------|--------|
| 3543588                  | 0,35 | 78     |
| 3543594                  | 0,3  | 68     |
| 3543596                  | 0,25 | 58     |

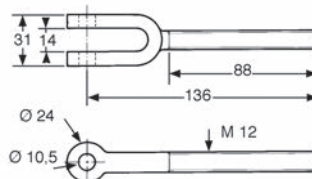
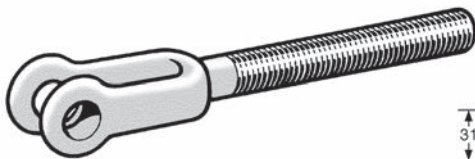
**RYGLE BLOKADY I AKCESORIA - LOCKING AND ACCESSORIES**




Rygiel blokady skrzyni ładunkowej, model duży, kompletny.

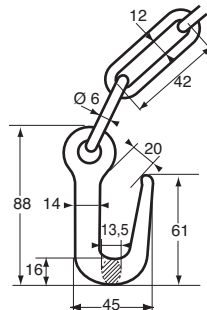
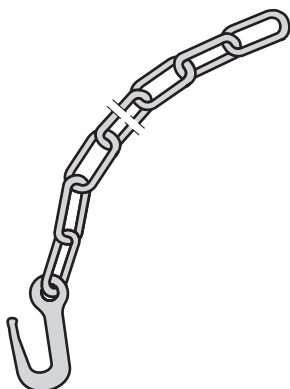
*Zinc plated steel complete large model of locking bucket, as illustrated.*

| Nr katalog.<br>Reference |  Kg | Strona<br>Hand | Typ<br>Type |
|--------------------------|--|----------------|-------------|
| 3543615DR                | 2,9  | Prawa<br>Right | -           |
| 3543615GA                | 2,9  | Lewa<br>Left   | -           |
| 3543615RD                | -  | Prawa<br>Right | 1           |
| 3543615RG                | -  | Lewa<br>Left   | 1           |

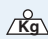


Widelki stalowe, ocynkowane.  
*Zinc plated steel bracket.*

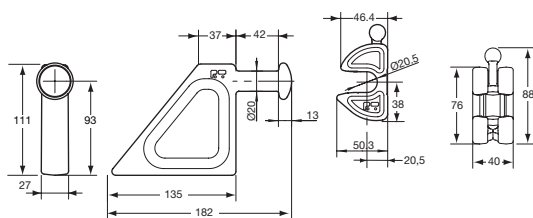
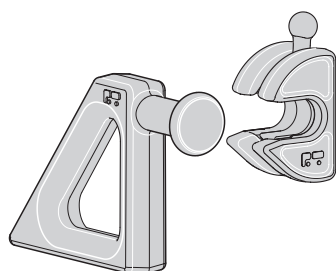
| Nr katalog.<br>Reference |  Kg |
|--------------------------|--|
| 3543607S                 | 0,14   |



Hak z łańcuszkiem 9 ogniwi, stal surowa.  
*Self colour steel hook with 9 links.*

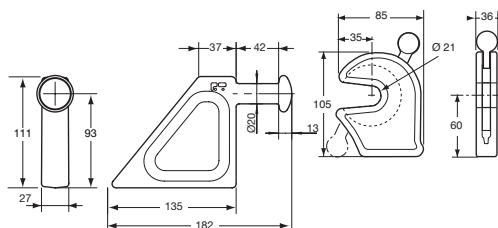
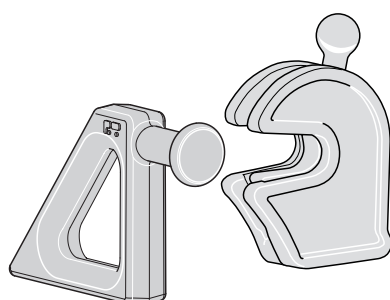
| Nr katalog.<br>Reference |  Kg |
|--------------------------|--|
| 3543630                  | 0,325  |

**PRZEGUBY TYLNE BURTY - *REAR DROPSIDE JOINTS***



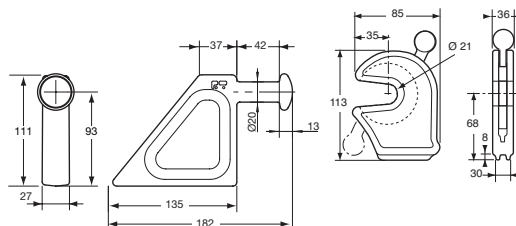
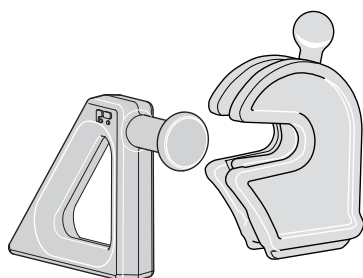
Zacpek skrzyni ładunkowej, stal kuta matrycowo, surowa.  
*Bucket joint, drop-forged steel.*

| Nr katalog.<br><i>Reference</i> | Kg   |
|---------------------------------|------|
| <b>3543563</b>                  | 2,35 |



Zacpek skrzyni ładunkowej, stal kuta matrycowo, surowa.  
*Bucket joint, drop-forged steel.*

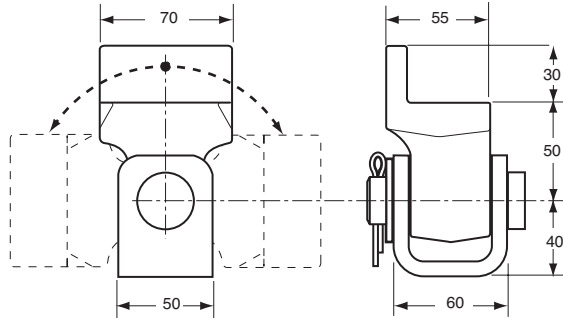
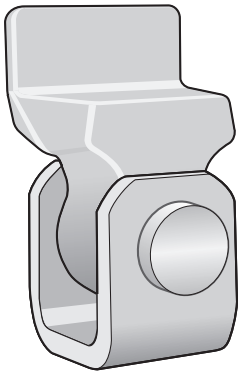
| Nr katalog.<br><i>Reference</i> | Kg   |
|---------------------------------|------|
| <b>3543590</b>                  | 2,35 |



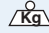
Zacpek skrzyni ładunkowej, stal kuta matrycowo, surowa.  
*Bucket joint, drop-forged steel.*

| Nr katalog.<br><i>Reference</i> | Kg   |
|---------------------------------|------|
| <b>3543591</b>                  | 2,48 |

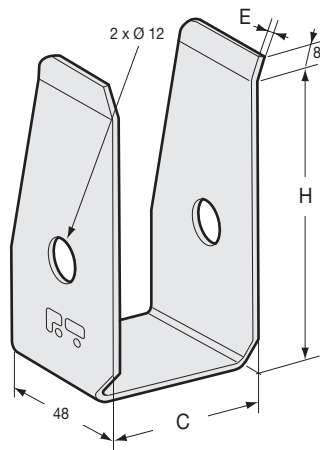
**PRZEGUBY WYWROTKI - TIPPER JOINTS**




Przegub, stal surowa ze smarownicą.  
*Articulation bearing, self colour steel, with greaser.*

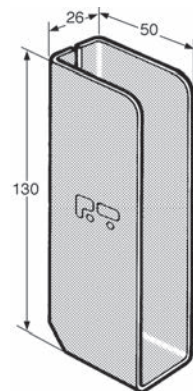
| Nr katalog.<br>Reference |  Kg |
|--------------------------|--|
| 3543589                  | 1,95   |

**OKUCIA NAROŻNE - MOUNTING BRACKETS**




Okucie narożne nakładane, stal surowa.  
*Plank bracket for body, self colour steel.*

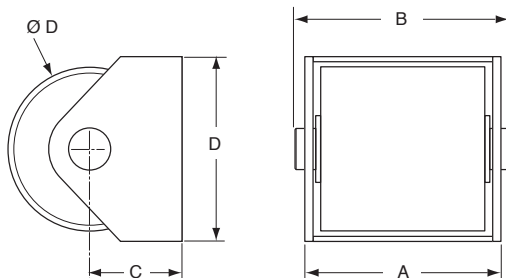
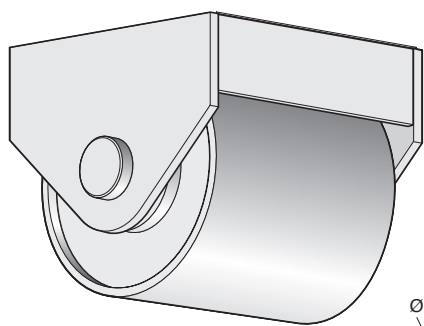
| Nr katalog.<br>Reference |  Kg | C (mm) | E (mm) | H (mm) |
|--------------------------|--|--------|--------|--------|
| 3543663                  | 0,245  | 27     | 2,5    | 122    |
| 3543664                  | 0,135  | 31     | 2      | 92     |



Okucie narożne nakładane, stal surowa.  
*Plank bracket, self colour steel.*

| Nr katalog.<br>Reference |  Kg | Grubość<br>Thickness |
|--------------------------|--|----------------------|
| 3543646                  | 0,30   | 2,5                  |
| 3543653                  | 0,25   | 2                    |

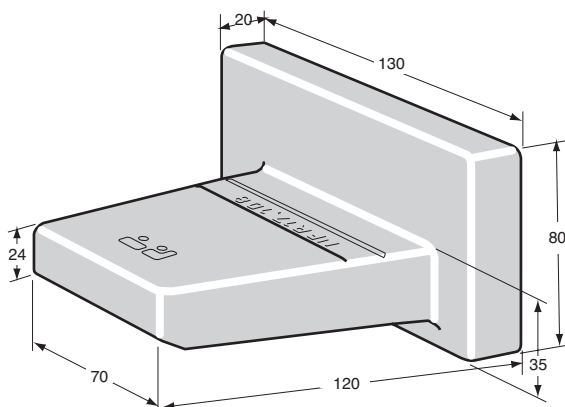
**ROLKI SKRZYŃ SAMOZAŁADOWCZYCH - ROLLERS FOR REMOVAL TIPPER**



Rolka skrzyni samozaładowczej.  
Rollers for "drop" containers.

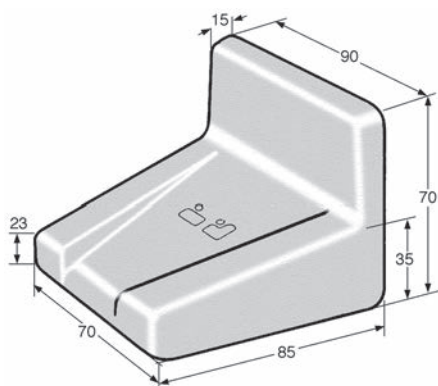
| Nr katalog.<br>Reference | kg    | A<br>(mm) | B<br>(mm) | C<br>(mm) | ØD<br>(mm) |
|--------------------------|-------|-----------|-----------|-----------|------------|
| 3543569                  | 8,80  | 191       | 210       | 90        | 160        |
| 3543570                  | 12,80 | 231       | 250       | 120       | 200        |
| 3543571                  | 14,15 | 231       | 250       | 120       | 220        |

**ZDERZAKI I CZOPY SKRZYNI - TIPPER THURST BLOCK, LINK PINS**



Zderzak skrzyni samozaładowczej, model duży,  
stal surowa (wg N.F.R 17108).  
Drop forged steel tipper thrust block, major  
(N.F.R 17108).

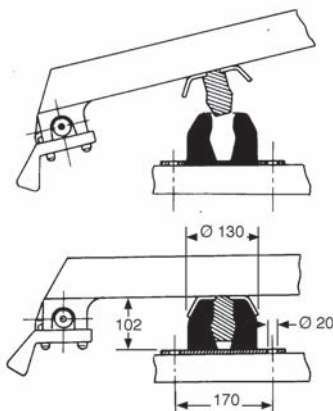
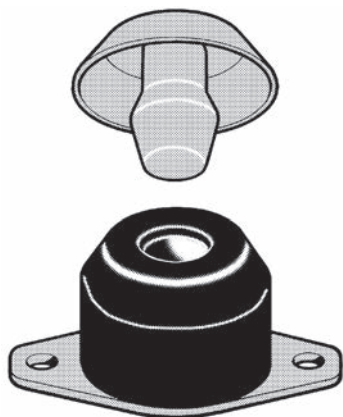
| Nr katalog.<br>Reference | kg   |
|--------------------------|------|
| 3543610                  | 3,22 |




Zderzak skrzyni samozaładowczej, model mały,  
stal kuta matrycowo.  
Drop forged steel tipper thrust block, minor.

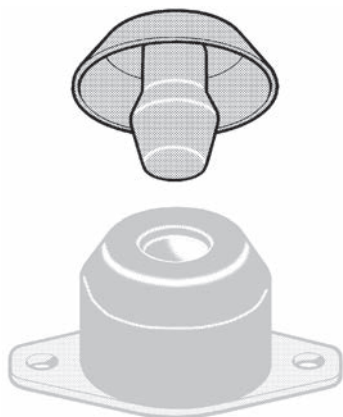
| Nr katalog.<br>Reference | kg    |
|--------------------------|-------|
| 3543609                  | 1,695 |

ZDERZAKI I CZOPY SKRZYNI - *TIPPER THURST BLOCK, LINK PINS*




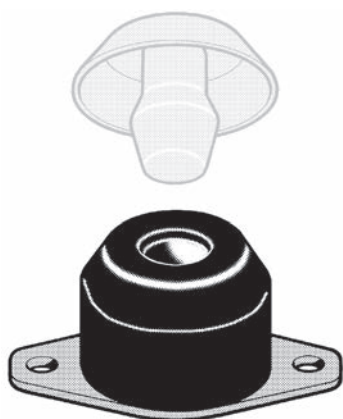
Amortyzator odchylenia.  
*Tipper shock absorber assembly.*

|                                 |   |
|---------------------------------|---|
| Nr katalog.<br><i>Reference</i> |  |
| 3543612                         | 3,900   |




Część górna stalowa.  
*Steel upper part.*

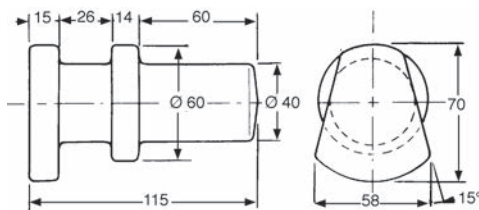
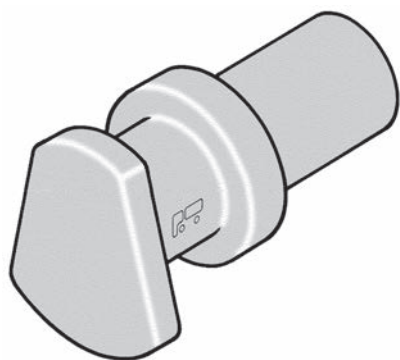
|                                 |   |
|---------------------------------|---|
| Nr katalog.<br><i>Reference</i> |  |
| 3543612MA                       | 1,900   |



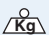
Część dolna.  
*Lower part.*

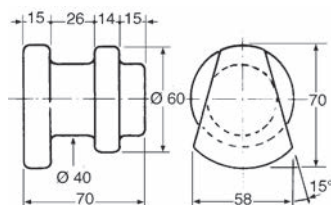
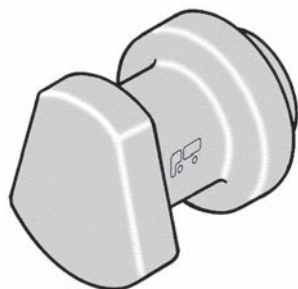
|                                 |   |
|---------------------------------|---|
| Nr katalog.<br><i>Reference</i> |  |
| 3543612BU                       | 2   |

**ZDERZAKI I CZOPY SKRZYNI - TIPPER THURST BLOCK, LINK PINS**




Czop skrzyni, stal kuta matrycowo, surowa (wg NFR 17106).  
*Drop-forged steel link pin (NFR 17.106).*

| Nr katalog.<br>Reference |  |
|--------------------------|---|
| 3543598                  | 1,35  |

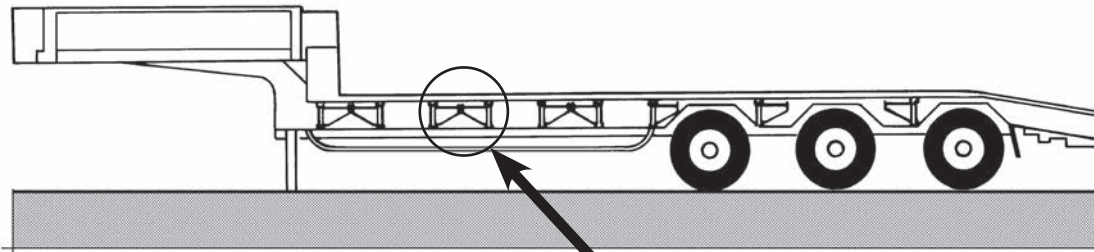


Czop skrzyni, stal kuta matrycowo, surowa (wg NFR 17106).  
*Drop-forged steel link pin (NFR 17.106).*

| Nr katalog.<br>Reference |  |
|--------------------------|---|
| 3543608                  | 1,08  |

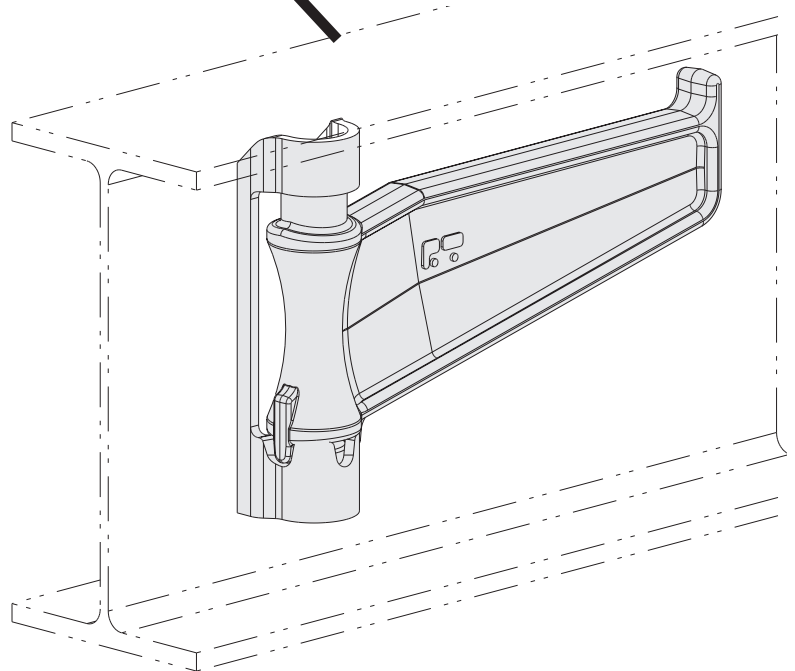


**ROZSZERZENIE WSPORNIKOWE PLATFORMY - EXTENSION BRACKET**



Rozszerzenie naczep do przewozu maszyn samobieżnych, kompletne, stal surowa  
*Complete console for platform trailer, self colour steel.*

| Nr katalog.<br>Reference | $\frac{Kg}{\square}$ | A   | B   |
|--------------------------|----------------------|-----|-----|
| 3543599                  | 5,550                | 294 | 242 |
| 3543600                  | 5,550                | 264 | 212 |



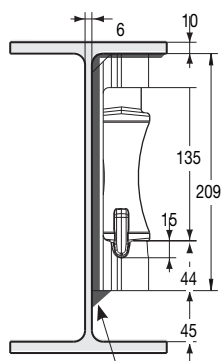
**BARDZO WAŻNE:**

Przy montażu ucho spawać tak, by zetknęło się z górną półką dwuteownika.

**IMPORTANT:**

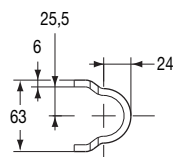
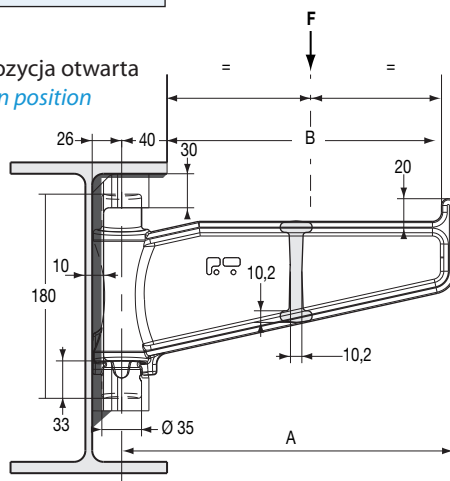
*To the assembling, the yoke must be welded to the IPN top.*

Pozycja zamknięta  
*Off position*

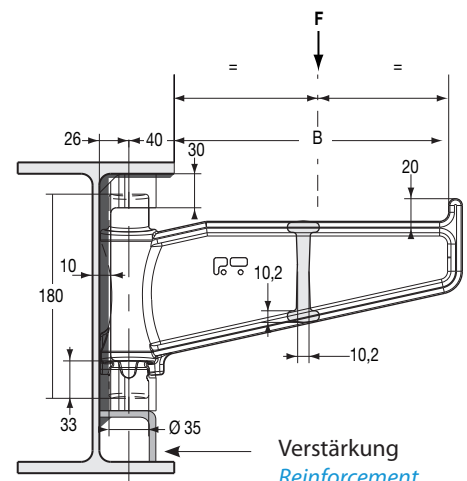


Spawy 5  
*Weld*

Pozycja otwarta  
*On position*



**F = Dopuszczalne obciążenie 2,4 T**  
**F = working load 2,4 T**



**F = Dopuszczalne obciążenie 3,68 T**  
**F = working load 3,68 T**



# AKCESORIA DO NADWOZI WYMIENNYCH I KONTENERÓW

Belki, płyty, podpory, zamki, narożniki

## **CONTAINER ACCESSORIES**

*Crossbars, panels, crutches, bolts, corner*



23



Swobodne krążenie kontenerów po całej Europie, w ramach intermodalnych przewozów kolejowo-drogowych, wymagał by wszystkie kraje Unii Europejskiej przyjęły wspólne normy. Europejskie normy EN 283 i EN 284 ustalają dane techniczne najważniejszych części składowych systemu urządzeń załadowniczych, które proponujemy poniżej.

*Due to the free circulation of containers in Europe within the framework of the intermodal rail/road transport it was necessary to adopt standards, common to all the countries of the European Community.*

*The EN 283 and EN 284 European standards define the characteristics of the principal components of the offered lifting system.*

**Zalety systemu załadowniczego :**

- Wymiana kontenerów w skali europejskiej.
- Możliwość transportowania 20. stopowych (20') kontenerów pojazdami z własnymi urządzeniami do przewozu wymiennych kontenerów.
- Możliwość zastosowania systemu na istniejących pojazdach, bez zawieszenia pneumatycznego.
- Różne możliwe wysokości skonteneryzowanych magazynów w zależności od zastosowanych podpór teleskopowych.
- Proste i szybkie działanie systemu umożliwiającego wymianę kontenerów za pomocą własnych urządzeń załadowniczych pojazdu.
- Łatwy przejazd pojazdu nośnego pod stojącym kontenerem i centrowanie ładunku na ramie ułatwione dzięki rolkom prowadzącym.

**The advantages of the system:**

- *Exchange of containers on an European scale.*
- *Possibility to transfer 20" containers on a vehicle equipped for the transport of containers.*
- *Possible adaptation of the system on existing vehicles without air suspension.*
- *Several loading heights of containers are possible depending on the used telescopic sustainers.*
- *Simple and rapid operation of the system, changing of containers by the vehicle itself.*
- *Easy displacement of the carrying vehicle under the container and easier centering thanks to the use of roller bearings.*

**Elementy niezbędne do podnoszenia kontenerów wymiennych w zależności od zawieszenia pojazdu nośnego.**

**Elements necessary to lift the containers depending on the suspensions of the carrying vehicle.**

- |  |  |
|--|--|
| <p>1. Pojazdy posiadające zawieszenie na resorach piórowych z przodu i z tyłu:</p> <ul style="list-style-type: none"> <li>- dwa ramiona podnoszące.</li> <li>- dwa systemy sterowania.</li> <li>- dwa zespoły zbiornika.</li> <li>- 4 zaczepy kontenerowe.</li> </ul>  | <p><i>1. Vehicle with blade suspension on the front and rear parts :</i></p> <ul style="list-style-type: none"> <li>- <i>2 lifting arms.</i></li> <li>- <i>2 control systems.</i></li> <li>- <i>2 reservoir assemblies.</i></li> <li>- <i>4 containers twist locks.</i></li> </ul>   |
| <p>2. Pojazdy posiadające zawieszenie na resorach piórowych z przodu, a z tyłu pneumatyczne:</p> <ul style="list-style-type: none"> <li>- 1 ramię podnoszące.</li> <li>- 1 system sterujący.</li> <li>- 1 zespół zbiornika.</li> <li>- 4 zaczepy kontenerowe.</li> <li>- 2 rolki prowadzące.</li> <li>- 2 łożyska dla rolek prowadzących.</li> </ul> | <p><i>2. Vehicle with blade suspensions on front part and air suspensions on rear part :</i></p> <ul style="list-style-type: none"> <li>- <i>1 lifting arm.</i></li> <li>- <i>1 control system.</i></li> <li>- <i>1 reservoir assembly.</i></li> <li>- <i>4 container twist locks.</i></li> <li>- <i>2 roller bearings.</i></li> <li>- <i>2 bearings for roller bearings.</i></li> </ul> |
| <p>3. Pojazdy i przyczepy posiadające zawieszenie pneumatyczne z przodu i z tyłu:</p> <ul style="list-style-type: none"> <li>- 4 zaczepy kontenerowe.</li> <li>- 4 rolki prowadzące.</li> <li>- 4 łożyska dla rolek prowadzących.</li> </ul>   | <p><i>3. Vehicle or trailer with air suspensions on the front and rear parts :</i></p> <ul style="list-style-type: none"> <li>- <i>4 container twist locks.</i></li> <li>- <i>4 roller bearings.</i></li> <li>- <i>4 bearings for roller bearings.</i></li> </ul>  |

We wszystkich trzech powyższych przypadkach możliwe jest zastąpienie czterech zaczepów kontenerowych przez dwie belki poprzeczne z wyposażeniem.

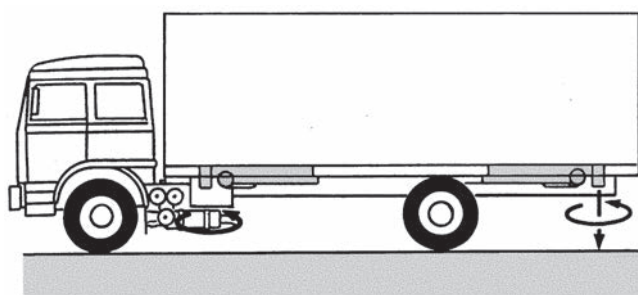
*In the three previous units, it is possible to replace the 4 twist locks by two equipped crosspieces.*

Elementy niezbędne do zbudowania ruchomej skrzyni ładunkowej :

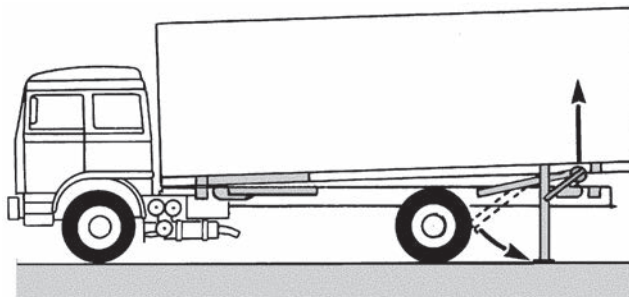
**Elements necessary to build a container :**

- |  |   |
|--|---|
| <ul style="list-style-type: none"> <li>- 4 narożniki do kontenerów.</li> <li>- 4 podpory.</li> <li>- 2 rury wsporcze lewe.</li> <li>- 2 rury wsporcze prawe.</li> <li>- 4 podpory łożyskowe.</li> <li>- 4 urządzenia zabezpieczające przed spadnięciem.</li> <li>- 4 profile do szczyptic podnoszących.</li> </ul> | <ul style="list-style-type: none"> <li>- <i>4 container corners.</i></li> <li>- <i>4 sustainers.</i></li> <li>- <i>2 left supporting tubes.</i></li> <li>- <i>2 right supporting tubes.</i></li> <li>- <i>4 counter-bearings</i></li> <li>- <i>4 anti-falls devices.</i></li> <li>- <i>4 lifting-gripper section bars.</i></li> </ul> |
|--|---|

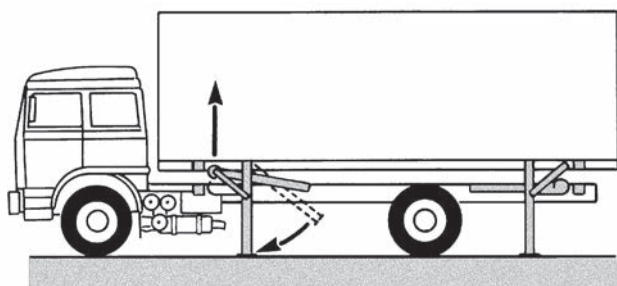
Aby zdjąć kontener z pojazdu, należy wykonać następując czynności:  
*To remove a container from a truck, proceed as follows :*



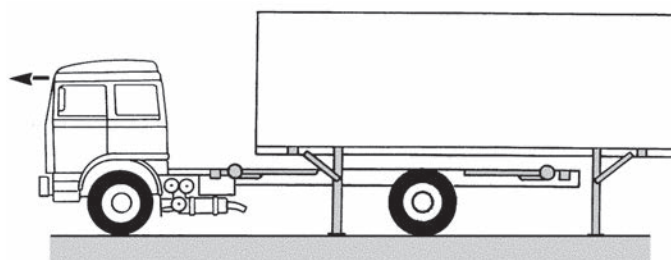
1. Uruchomić tylne ramię załadownicze i ustawić je w górnym położeniu. Podstawić tylne podpory. Opuścić tylne ramię podnośnika.  
*Release the twist locks.  
 Retract the rear twist locks.*



2. Uruchomić tylne ramię załadownicze i ustawić je w górnym położeniu. Podstawić tylne podpory. Opuścić tylne ramię podnośnika.  
*Actuate the rear lifting arms and put it in upper position.  
 Install the rear sustainers.  
 Lower the rear lifting unit.*



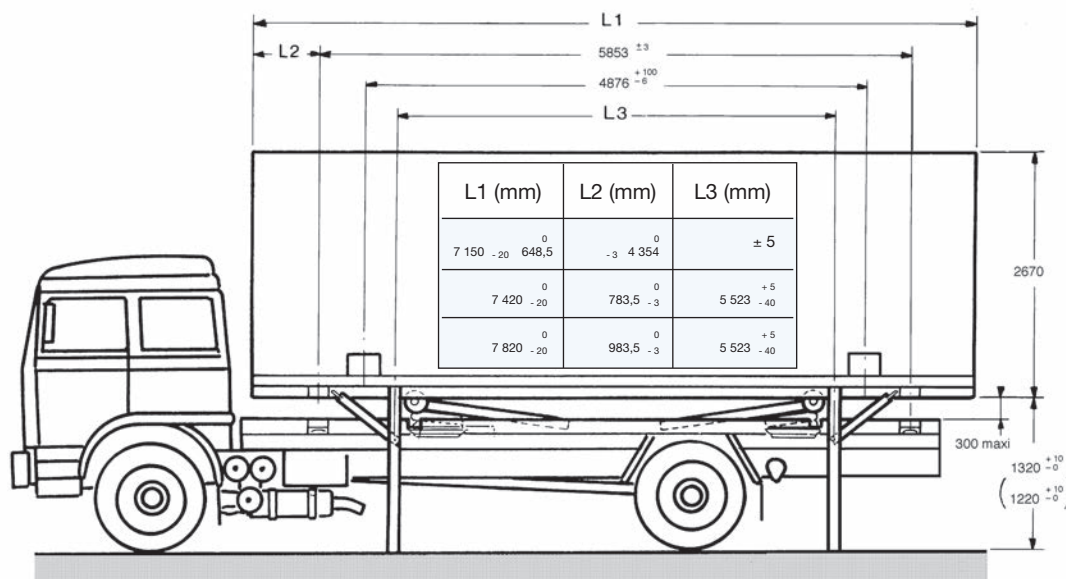
3. Odchylić przednie zaczepy kontenera. Uruchomić przednie ramię załadownicze i ustawić je w górnym położeniu. Podstawić przednie podpory. Opuścić przednie ramię załadownicze.  
*Retract the front twist locks.  
 Actuate the front lifting arm and put it in upper position.  
 Install the front susbtainers.  
 Lower the front lifting unit.*



4. Po zdjęciu i ustawieniu kontenera, wyjechać pojazdem.  
*The container being install, drive the vehicle away.*

Celem ponownego załadowania kontenera, omówione wyżej czynności zdejmowania należy wykonać w kolejności odwrotnej. Przed wyruszeniem w drogę, użytkownik powinien upewnić się czy podpory są dwukrotnie zabezpieczone, czy rury podporowe mają włożone trzpienie oraz czy uruchomiono zabezpieczenia przed ich opadnięciem.  
*To load a container, reverse the sequence of operations. Before leaving, the user will have to check the sustainer double interlocking. The supporting tubes will be cottedered and the anti-fall safeties will be engaged.*

### Główne wymiary według norm DIN 70013, DIN 70018 i EN 284 Principal sizes next DIN 70013, DIN 70018 and EN 284



## RAMIĘ ZAŁADOWCZE - *LIFTING ARM*

### Instrukcja montażu

Ramiona załadownicze dostarczane są w stanie zmontowanym, ich szczelność sprawdzono w wytwórni pod ciśnieniem 6. atn. Spawanie miski do ramy pomocniczej pojazdu wymaga demontażu miecha powietrznego. Po zamontowaniu zespołu wykonawca nadwozia winien sprawdzić, stosując środek uwidaczniający przecieki, szczelność miecha.

### Spawanie miski.

Prawidłowe spawanie miski ma zasadnicze znaczenie dla zapewnienia trwałości silnie obciążonego ramienia załadowniczego. Miska winna spoczywać na ramie pomocniczej a spaw należy wykonać przerywanym, tak by nie pozostawieć w nim naprężeń wewnętrznych.

W czasie wykonywania spawów, dla zapewnienia dostępu, niezbędne jest zdjęcie miski (należy odkręcić 4 śruby).

### Rolki prowadzące.

Dla prawidłowego zamontowania poziomych rolek prowadzących, w ramie pomocniczej należy wykonać odp. podcięcia. Przy wykonywaniu ramy pomocniczej, należy przestrzegać wytycznych producenta pojazdu.

### *Instructions for assembly*

#### *Tightness control.*

*The lifting arms are delivered already mounted. Their tightness has been checked in factory under a 6 bar pressure.*

*To correctly weld the vessel on the added chassis it is necessary to dismount the lung. The coachbuilder will check the lung tightness with a leak detecting product after reassembling.*

#### *Welding the vessel.*

*The vessel correct welding is essential for a durable operation of the most stressed lifting arm.*

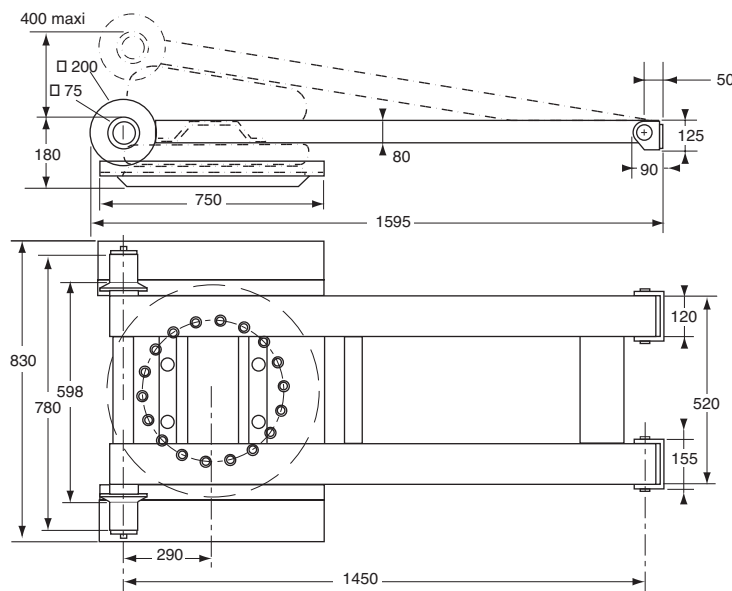
*The vessel must lie on the added chassis ; a discontinuous welding will free the welding bead from tension.*

*The vessel dismounting (four screws to be released) is necessary for an easy access during the welding operation.*

#### *Roller bearings.*

*To allow the horizontal roller bearings to pass through, the added chassis must be notched.*

*To realize the added chassis, the instructions of the vehicle constructor will be respected.*



**3644249 S**

Ramię załadownicze, udźwign 10 t, miska niesamonośna.

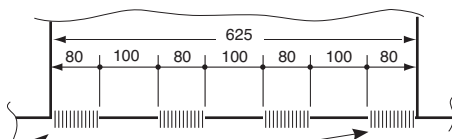
*Lifting arm, power 10 t.*

Ramiona załadownicze należy instalować zgodnie ze wskazówkami instrukcji montażu

*Lifting arms need to be mounted according to fitting instructions*

Ramiona załadownicze należy instalować zgodnie ze wskazówkami instrukcji montażu

*Notch in added chassis for guide rollers*

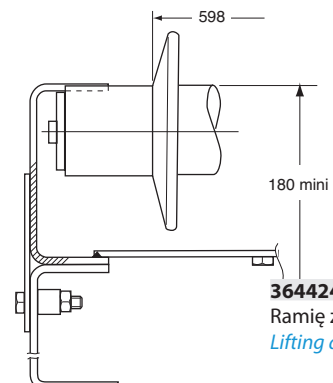


Ramiona załadownicze należy instalować zgodnie ze wskazówkami instrukcji montażu.

*Welding bead, no crater at ends*

Rama  
*Added chassis*

Podwozie  
*Chassis*



**3644249 S**  
Ramię załadownicze.  
*Lifting arm.*



## RAMIĘ ZAŁADOWCZE - LIFTING ARM

### Budowa układu sterowania

Zastosowania jednego zaworu rozdzielczego sterującego zarówno podnoszeniem jak i opuszczaniem ramion załadowniczych upraszcza instalację.

Rozdzielacz dwupołożeniowy pięćdrogowy z trzema otworami z samoczynnym powrotem do położenia środkowego, gdy tylko ustanie nacisk na dźwignię zaworu, pozwala na natychmiastowe zatrzymanie układu. Zawór zwrotny, zawór szybkiego opróżniania i czujnik krańcowy stosuje się jako elementy bezpieczeństwa chroniące całość instalacji.

W celu uniknięcia niebezpieczeństwa uszkodzenia jednego z ramion podnośnika w wyniku manipulacji zewnętrznych lub ewentualnych przecieków zaworu rozdzielczego bezwzględnie należy umieścić w osłoniętym miejscu zawór odcinający (patrz schemat).

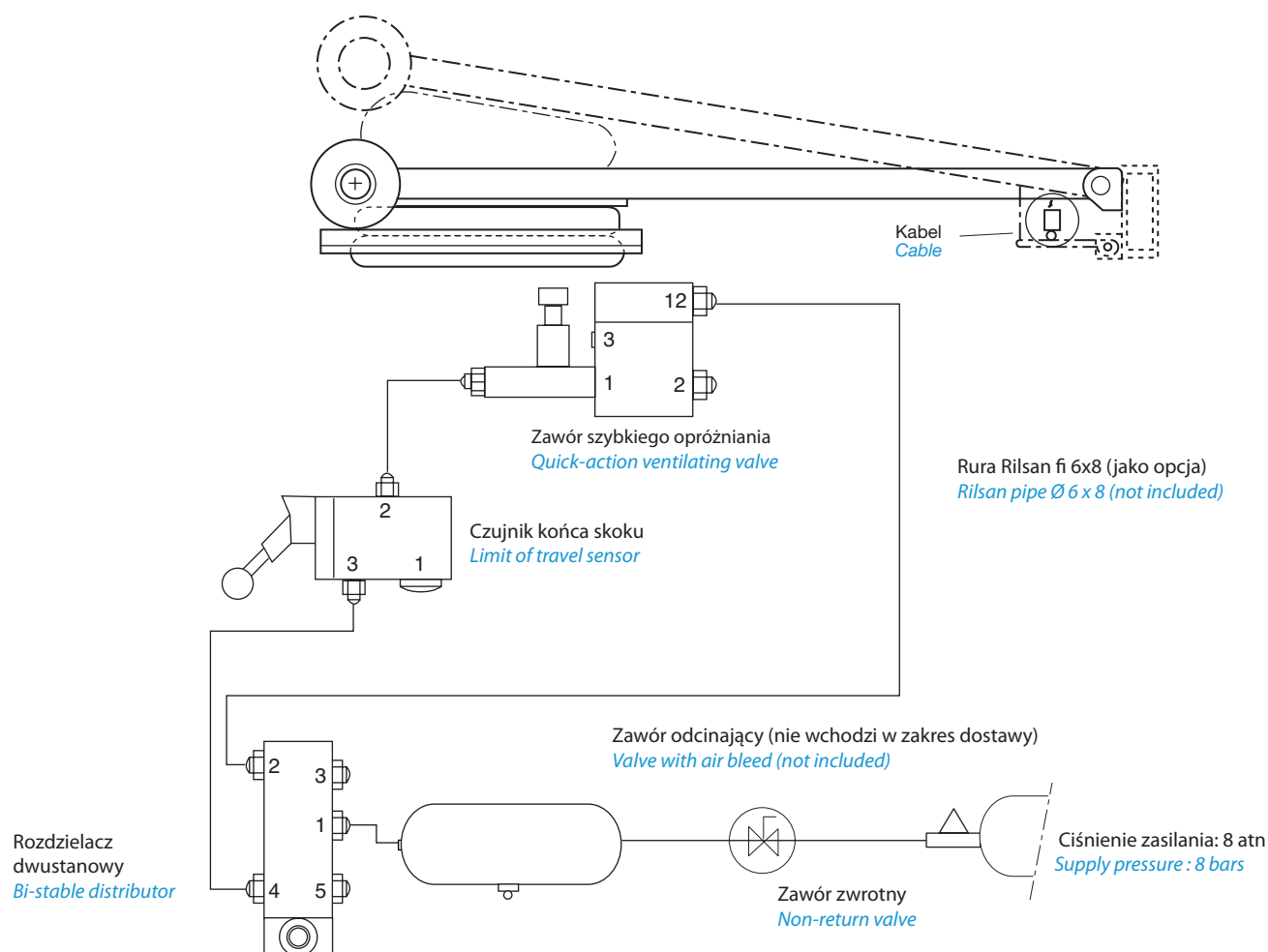
### Composition of the control system.

To simplify the installation a single distributor to lift and lower the lifting arm will be used.

The 5 ways bi-stable distributor, openings with automatic return to neutral position, allows to immediately stop the system as soon as the control distributor lever is no longer actuated.

The non-return valve, the quick-action ventilating valve and the limit of travel sensor are used to ensure the safety and protect the installation.

To eliminate all risks of damaging one of the lifting arms due to external handling or possible leaks of the control distributor, it is compulsory to place it on a valve with air bleed (see schema).



### 3644236 S

Nr kompletu dla ramienia załadownego 3644249 S który zawiera:

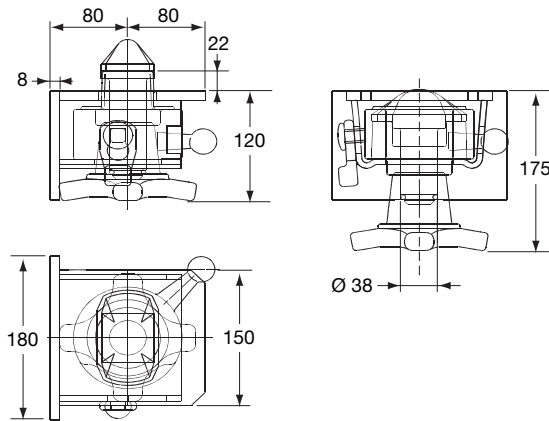
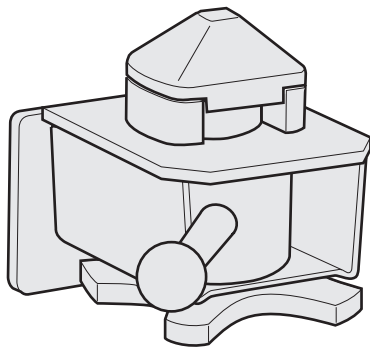
- rozdzielnik i przyłącza dla rozdzielnika.
- zbiornik powietrza 60 litrów obejmujący zaciskowe, zawory bezpieczeństwa i przyłącza.

Total reservoir unit for lifting arm 3644249 S including:

- Distributors and connections
- 60 liter compressed air reservoir, tightening strips, exhaust valve and connections.



**ZAMKI Z CHOWANĄ RĄCZKĄ BLOKOWANĄ KLUCZKIEM - RETRACTABLE BOLTS**



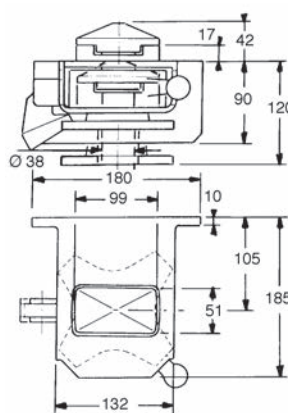
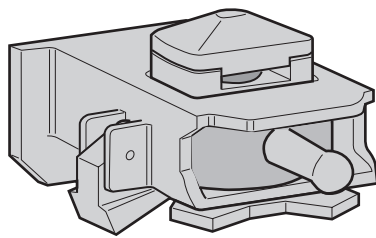
Rygiel do kontenera i wymiennych nadwozi, stal.

*Container twistlock, steel.*

Nr katalog.  
Reference



3644252S 11,00



Rygiel do kontenera i wymiennych nadwozi, stal.

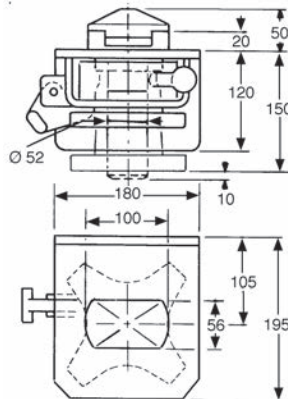
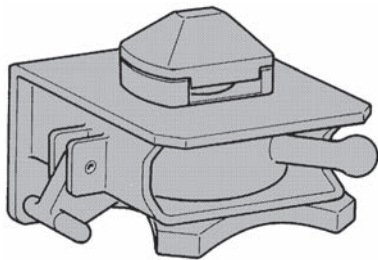
*Container twistlock, steel.*

Nr katalog.  
Reference




3644258 8,4

**ZAMKI Z CHOWANĄ RĄCZKĄ BLOKOWANĄ KLUCZKIEM - *RETRACTABLE BOLTS***

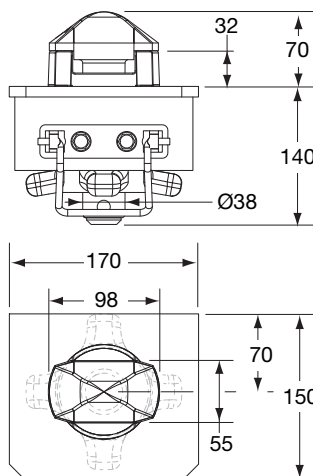


Rygiel do kontenera i wymiennych nadwozi, stal.

*Container twistlock, steel.*

| Nr katalog.<br>Reference |  |
|--------------------------|---|
| 3644259                  | 13,6  |

**ZAMKI Z NIECHOWANĄ RĄCZKĄ BLOKOWANĄ KLUCZKIEM - *NON-RETRACTABLE BOLTS***

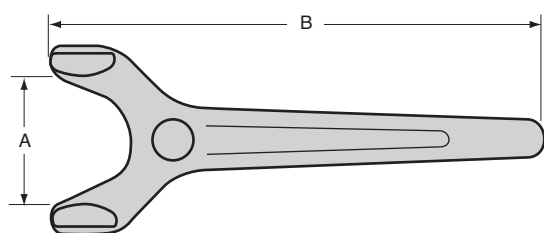


Rygiel do kontenera, stal.

*Container twistlock, steel.*

| Nr katalog.<br>Reference |  |
|--------------------------|--|
| 3644260                  | 8,85   |

**AKCESORIA DO ZAMKÓW - BOLT ACCESSORIES**

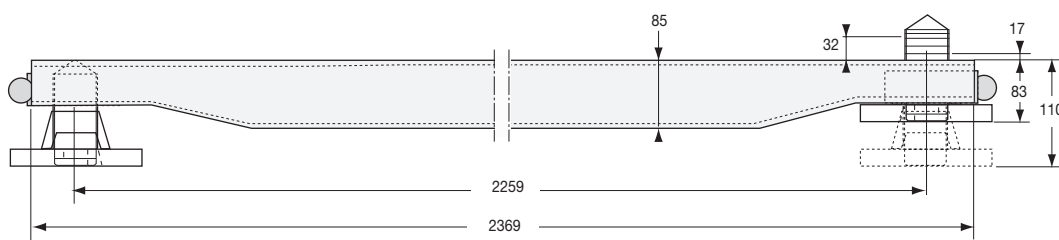
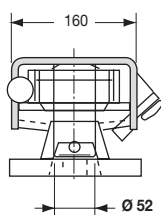


Klucz do rygli kontenerów wymiennych, stal malowana czarna. Model mały dla 3644252S, 3644258, 3644260. Duży model dla 3644259, 3644300.

*Wrench for container bolt. Small for 3644252S, 3644258 and 3844260. Large size for 3644259, 3644300.*

| Nr katalog.<br>Reference | Kg  | A<br>(mm) | B<br>(mm) | Dla<br>For |
|--------------------------|-----|-----------|-----------|------------|
| 3644254                  | 2   | 87        | 405       | Ø38        |
| 3644255                  | 2,4 | 105       | 462       | Ø52        |

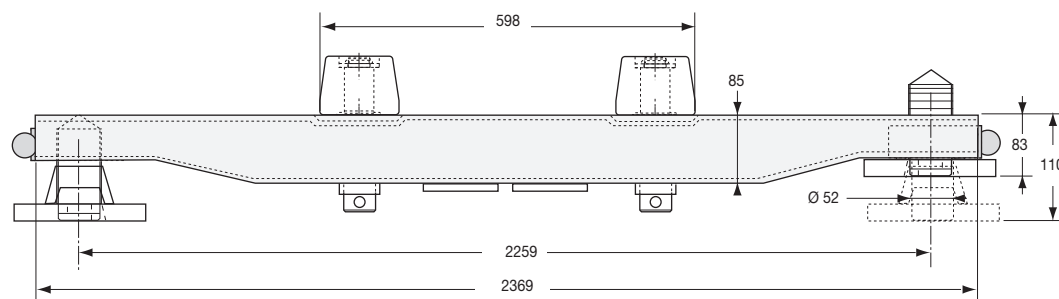
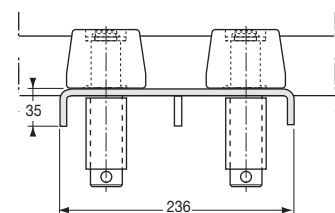
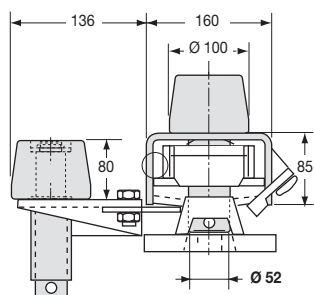
**BELKI - CROSS-MEMBER**



Poprzeczka scalona z ryglami.

*Cross-member with retractable twistlocks.*

| Nr katalog.<br>Reference | Kg |
|--------------------------|----|
| 3644300S                 | 61 |

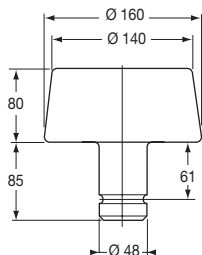
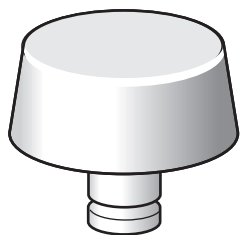


Poprzeczka, z chowanymi ryglami i 2 rolkami prowadzącymi, bez wsporników. Model ze stali lakierowanej dla wymiennych nadwozi o ciężarze 18 ton.

*Cross-member with retractable twistlocks with 2 rollers and bracket. Painted steel version for 18 ton container.*

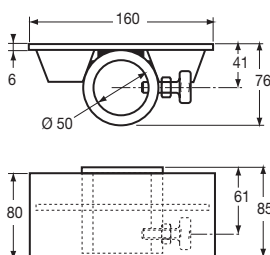
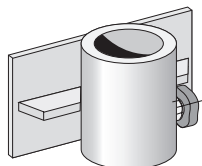
| Nr katalog.<br>Reference | Kg |
|--------------------------|----|
| 3644302S                 | 88 |

AKCESORIA DO BELEK POPRZECZNYCH - **CROSS-MEMBER ACCESSORIES**



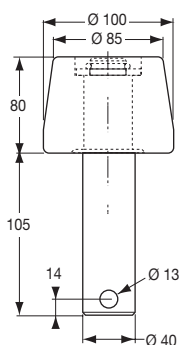
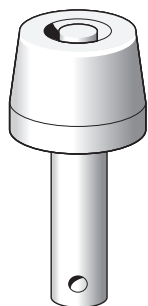
Rolka prowadząca, stal surowa.  
*Roller, self colour steel.*

|                          |     |
|--------------------------|-----|
| Nr katalog.<br>Reference |     |
| 3644248S                 | 5,5 |



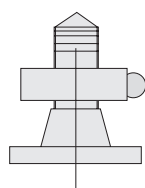
Podest rolki prowadzącej 3644248S, stal surowa.  
*Roller bearing for 3644248S, self colour steel.*

|                          |     |
|--------------------------|-----|
| Nr katalog.<br>Reference |     |
| 3644247S                 | 1,5 |



Rolka prowadząca dla belki 3644302S (część zamienna).  
*Replacement roller for cross-member 3644302S.*

|                          |     |
|--------------------------|-----|
| Nr katalog.<br>Reference |     |
| 3644303                  | 4,5 |



Zestaw 2 sworzni dla 3644300S i 3644302S.  
*Set of 2 twistlocks for 3644300S and 3644302S.*

|                          |      |
|--------------------------|------|
| Nr katalog.<br>Reference |      |
| 3644306                  | 12,8 |



Pierścień zabezpieczający do 3644300S i 3644302S.  
*Ring for 3644300S and 3644302S.*

|                          |      |
|--------------------------|------|
| Nr katalog.<br>Reference |      |
| 3644302AN                | 0,02 |

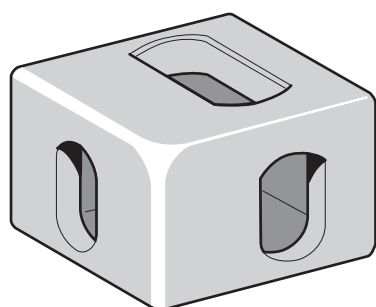
AKCESORIA DO BELEK POPRZECZNYCH - CROSS-MEMBER ACCESSORIES



Narzędzie do montażu pierścieni zabezpieczających dla zamka, o średnicy 52 mm.  
*Mounting tool for diameter 52 mm bolt ring.*

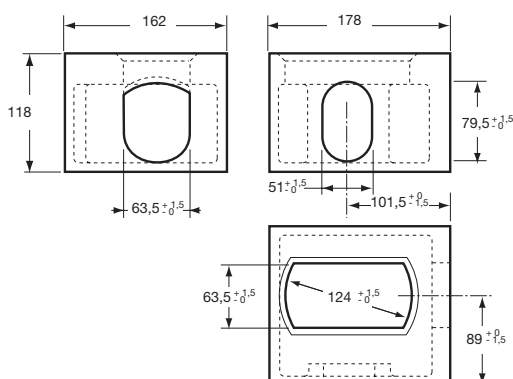
| Nr katalog.<br>Reference |  |
|--------------------------|---|
| 3644234                  | 1,20  |

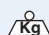
NAROŻNIKI KONTENERÓW I AKCESORIA - CONTAINER CORNERS AND ACCESSORIES

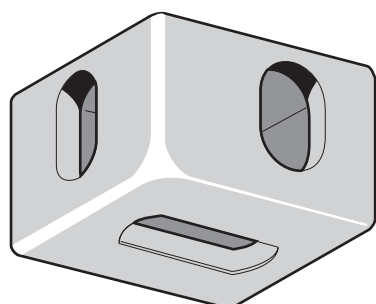


Narożnik kontenera ISO, ISO 1161, odlew stalowy, górny. Rysunek przedstawia stronę lewą.

*Container corner piece ISO 1161, cast steel, bottom model. The image represents the lefthand side.*

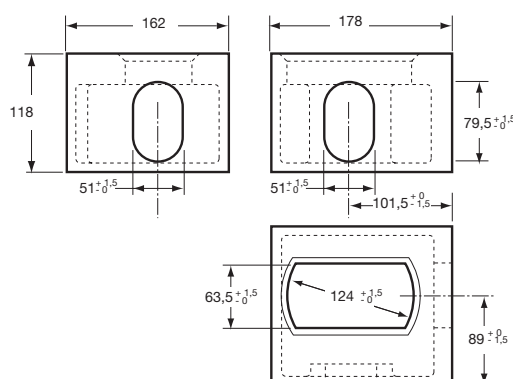



| Nr katalog.<br>Reference |  | Strona<br>Hand |
|--------------------------|---|----------------|
| 3644224TL                | 11,5  | Lewa<br>Left   |
| 3644224TR                | 11,5  | Prawa<br>Right |



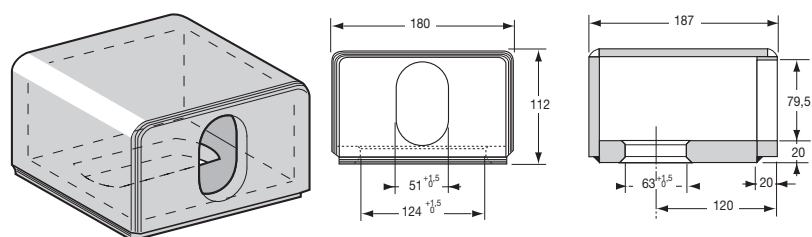
Narożnik kontenera ISO 1161, odlew stalowy, dolny. Rysunek przedstawia stronę lewą.

*Container corner piece ISO 1161, cast steel, bottom model. The image represents the lefthand side.*



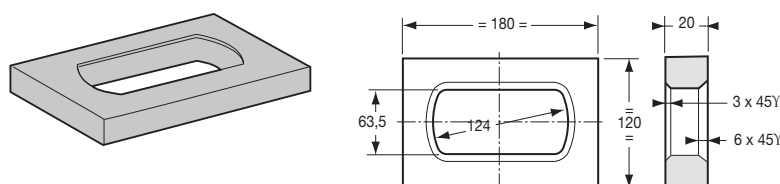
| Nr katalog.<br>Reference |  | Strona<br>Hand |
|--------------------------|---|----------------|
| 3644224BL                | 11,5  | Lewa<br>Left   |
| 3644224BR                | 11,5  | Prawa<br>Right |

**NAROŻNIKI KONTENERÓW I AKCESORIA - CONTAINER CORNERS AND ACCESSORIES**



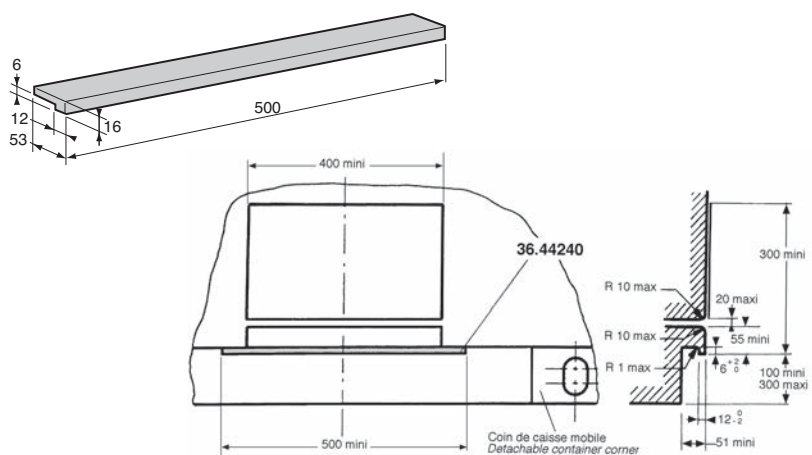
Narożnik wymiennego nadwozia, stal spawana, surowa.  
*Container corner piece, welded self colour steel.*

|                          |   |
|--------------------------|---|
| Nr katalog.<br>Reference |   |
| 3644253 S                | 9 |



Płyta mocująca, pojedyncza, zwykła, do nieznormalizowanych nadwozi wymiennych, stal surowa.  
*Simple fastening plate, made of raw steel, for non standard container.*

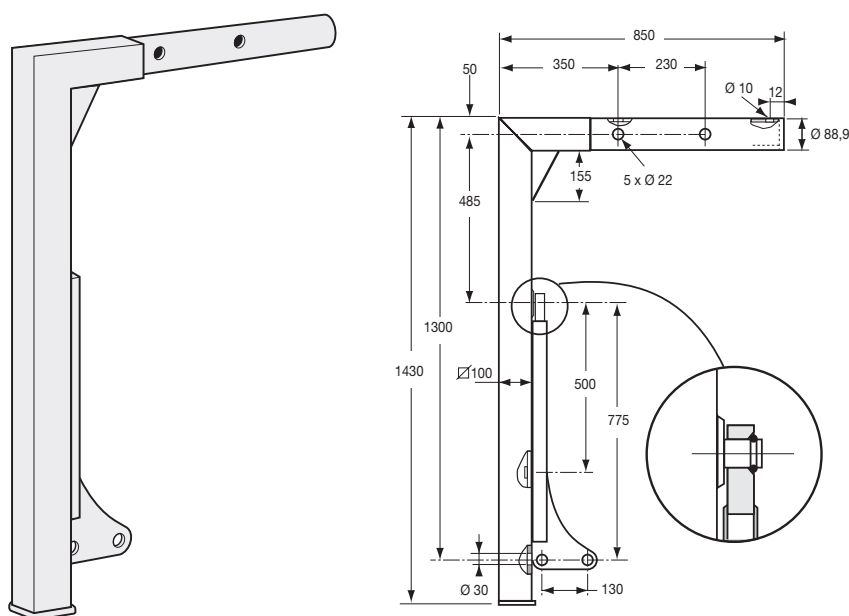
|                          |     |
|--------------------------|-----|
| Nr katalog.<br>Reference |     |
| 3644230S                 | 2,9 |



Profil do szczyptic załadowniczych, stal surowa.  
*Section bar for lifting part, self colour steel.*

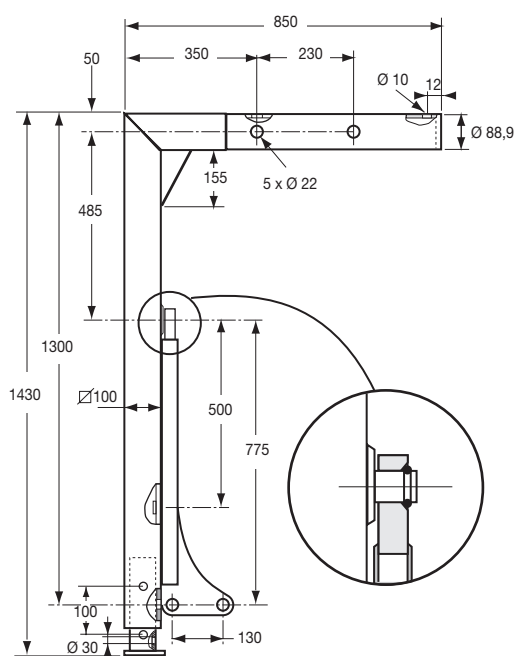
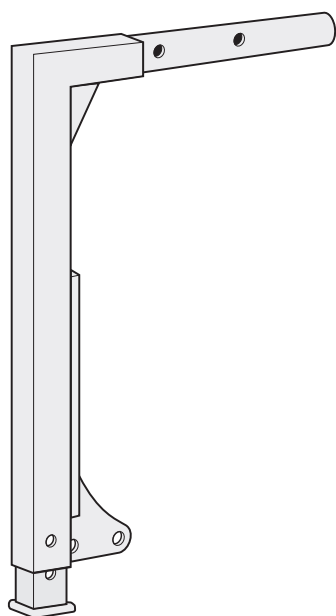
|                          |   |
|--------------------------|---|
| Nr katalog.<br>Reference |   |
| 3644240                  | 2 |

**PODPORY - STRUTS**



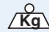
Podpora 18 t sztywna, wysokość 1430 mm, stal lakierowana.  
*Complete strut 18 t, rigid, 1430 mm height, painted steel.*

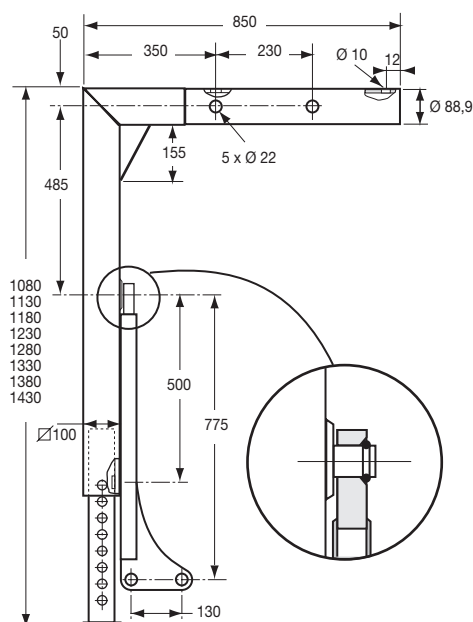
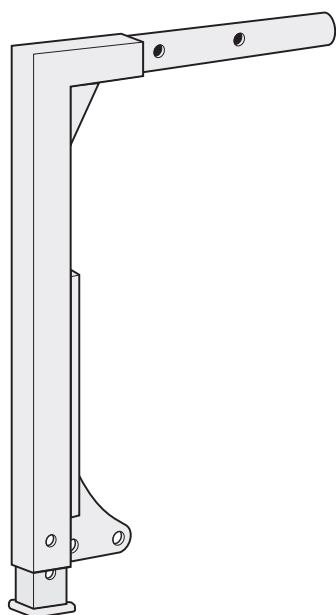
|                          |    |
|--------------------------|----|
| Nr katalog.<br>Reference |    |
| 3644246S                 | 40 |

**PODPORY - STRUTS**


Podpora 18 t, teleskopowa, ze stali lakierowanej, kompletna, wysokość 1430 mm skok 100 mm.


*Complete strut 18 t telescopic, 1430 mm height, 100 mm stroke, painted steel.*

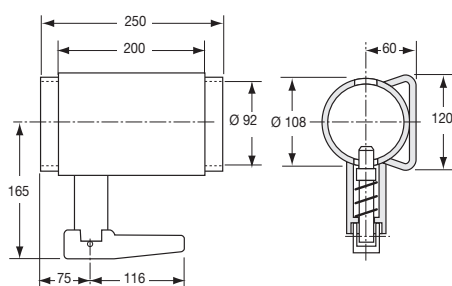
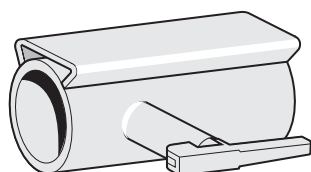
| Nr katalog.<br>Reference |  |
|--------------------------|---|
| 36442455                 | 44  |



Podpora 18 t, teleskopowa ze stali lakierowanej, kompletna, wysokość 1430 / 1080 mm, regulowana co 50 mm.

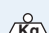
*Complete strut 18 t, telescopic, 1430 / 1080 mm for 50 mm, painted steel.*

| Nr katalog.<br>Reference |  |
|--------------------------|---|
| 3644305                  | 44  |

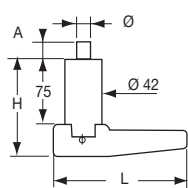
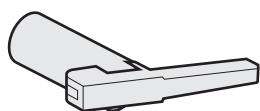
**AKCESORIA DO PODPÓR - STRUTS ACCESSORIES**


Rura wsporcza, długość 250 mm, stal surowa. Rysunek przedstawia model prawy.

*Support tube, 250 mm length, untreated steel. The image represents the righthand side.*

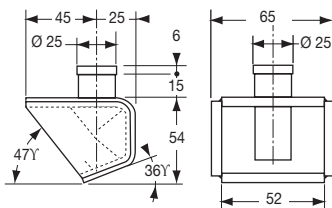
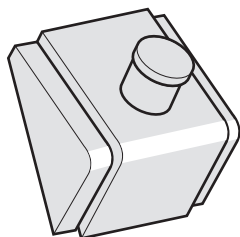
| Nr katalog.<br>Reference |  | Długość<br>Length | Strona<br>Hand |
|--------------------------|---|-------------------|----------------|
| 3644243DS                | 7,5   | 250               | Prawa<br>Right |
| 3644243GS                | 7,5   | 250               | Lewa<br>Left   |

AKCESORIA DO PODPÓR - STRUTS ACCESSORIES



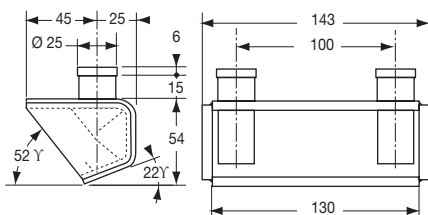
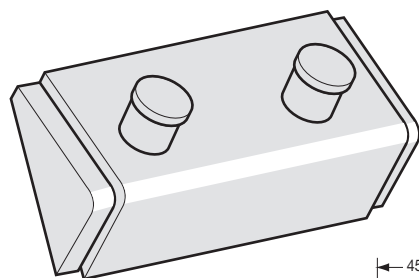
Rygiel sam.  
*Bolt only.*

| Nr katalog.<br><i>Reference</i> |     | Ø  | A<br>(mm) | L<br>(mm) | H<br>(mm) |
|---------------------------------|-----|----|-----------|-----------|-----------|
| 3644231VE                       | 1,4 | 25 | 22        | 165       | 110       |
| 3644243VS                       | 1,2 | 18 | 20        | 184       | 112       |



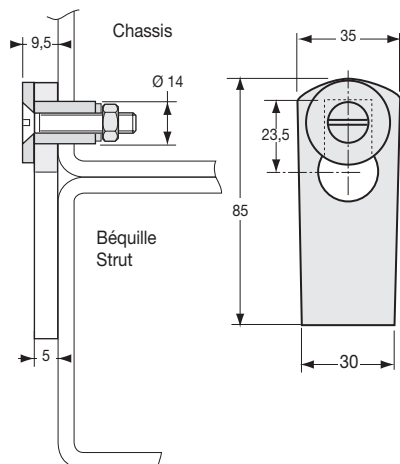
Podpora pojedyncza, stal surowa, spawana.  
*Simplec counter bearing, welded untreated steel.*

| Nr katalog.<br><i>Reference</i> |     |
|---------------------------------|-----|
| 3644242S                        | 0,9 |



Podpora podwójna, stal surowa, spawana.  
*Counter bearing, welded untreated steel.*

| Nr katalog.<br><i>Reference</i> |     |
|---------------------------------|-----|
| 3644241S                        | 1,3 |



Zabezpieczenie przed wypięciem, stal chromianowana.  
*Anti-fall device, chromated steel.*

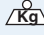
| Nr katalog.<br><i>Reference</i> |     |
|---------------------------------|-----|
| 3644244S                        | 0,2 |

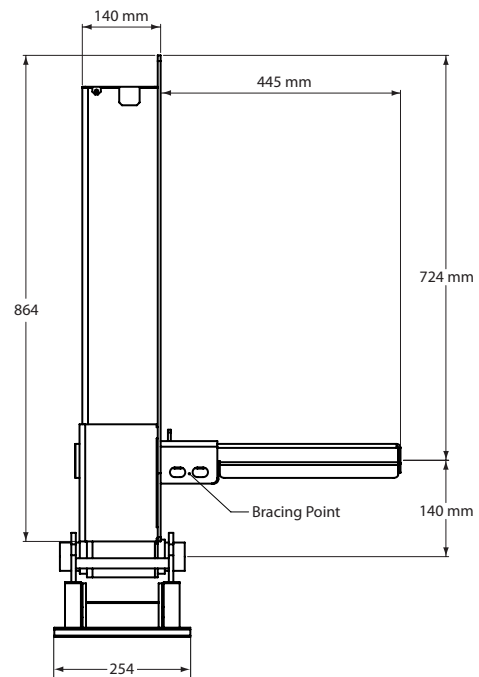
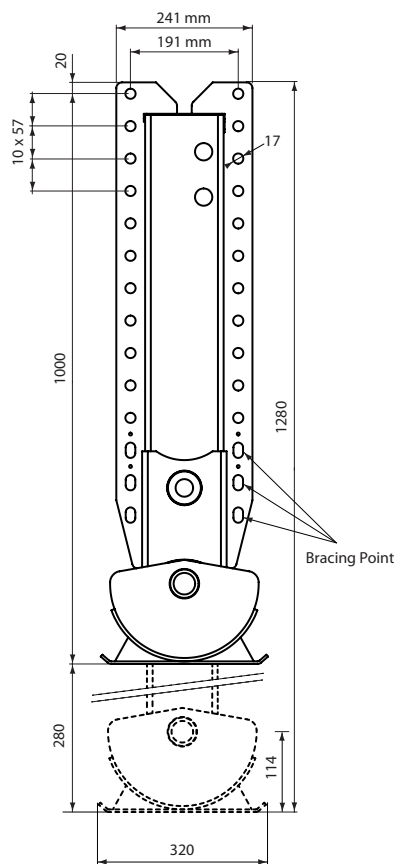


**PNEUMATYCZNE NOGI PODPOROWE - PNEUMATIC LANDING LEG**

Zestaw składający się z 2 nóg podporowych  
PTS 50-280-OM.

*Set of 2 pneumatic landing legs PTS 50-280-OM.*

| Nr katalog.<br>Reference |  Kg | Skok<br>Stroke | Zakończyć<br>Finish            |
|--------------------------|--|----------------|--------------------------------|
| 3644402                  | 91   | 280            | Stal malowana<br>Painted steel |





|  |     |  |     |
|--|-----|--|-----|
| AKCESORA DO ZAMKNIĘCIA RYGLOWEGO Z CIĘGNIAMI       | 385 | PROFILE Z ALUMINIUM WEWNĘTRZNE                     | 435 |
| AKCESORIA DACHU PRZESUWNEGO                        | 599 | PRZÓD DACHU OTWIERANY I ZWIJACZ TYLNY              | 598 |
| AKCESORIA DO DRZWI BEZ WYSTĘPU                     | 349 | ROZSZERZENIE WSPORNIKOWE PLATFORMY                 | 681 |
| AKCESORIA DO NADWOZI WYMIENNYCH I KONTENERÓW       | 689 | SKRZYNKI PLASTIKOWE                                | 140 |
| AKCESORIA DO PLANDEK                               | 619 | SKRZYNKI RÓŻNE I AKCESORIA                         | 151 |
| AKCESORIA DO WYWROTEK I PŁYT PRZYCZEPY             | 669 | SKRZYNKI STALOWE                                   | 136 |
| AKCESORIA DO ZAMKNIĘCIA RYGLOWEGO ŚCIENNEGO        | 372 | SKRZYNKI ZE STALI NIERDZEWNEJ                      | 135 |
| AKCESORIA DO ZAMKNIĘCIA RYGLOWEGO WPUSZCZANE       | 383 | SPRZĘGI  | 23  |
| AKCESORIA DO ZDERZAKÓW TYLNYCH                     | 105 | SPRZĘGI ZE SWORZENIEM                              | 40  |
| AKCESORIA I CZĘŚCI ZAMIENNE                        | 77  | S.ROLL   | 203 |
| BELKI  | 75  | SZYBERDACH OPEN PLUS                               | 591 |
| BELKI DO HOLOWANIA 3,5T                            | 64  | TABELA ZGODNOŚCI OPONY / BŁOTNIKI                  | 159 |
| BEZPIECZEŃSTWO                                     | 518 | UCHO   | 54  |
| BŁOTNIKI   | 162 | UCHO DYSZLA  | 50  |
| BURTY  | 459 | UCHWYTY BOCZNE DO ZAMKNIĘCIA RYGLOWEGO             | 329 |
| BUTROLL  | 205 | UCHWYTY DO ZAMKNIĘCIA RYGLOWEGO WPUSZCZANE         | 334 |
| DACH PRZESUWANY OPEN                               | 588 | UCHWYTY WIDEŁKOWE                                  | 36  |
| DACH PRZESUWNY                                     | 585 | USTALACZE POŁOŻENIA DRZWI                          | 238 |
| DACH PRZESUWNY OPEN PLUS R                         | 597 | USZCZELKI  | 251 |
| DACH PRZESUWNY WERSJA ALUMINIOWA                   | 586 | UŻYCIE ZEWNĘTRZNE                                  | 510 |
| DACH PRZESUWNY WERSJA STALOWA                      | 587 | WENTYLACJA   | 554 |
| DACH STAŁY OPEN                                    | 595 | WNĘTRZE SKRZYNEK                                   | 501 |
| DOSTĘP   | 217 | WSPOMAGANIE PRZY PODNOSZENIU                       | 569 |
| DRZWI BEZ WYSTĘPU, ACC GRUBOŚĆ 25 MM               | 227 | WSPORNIKI PRZEGUBOWE                               | 122 |
| DRZWICZKI WENTYLACYJNE                             | 631 | WSPORNIKI STAŁE                                    | 125 |
| DYSZLE HOLOWNICZE                                  | 47  | WYKŁADZINY PODŁOGOWE                               | 551 |
| ELEMENTY BURTY                                     | 492 | WYPOSAŻENIE ELEKTRYCZNE                            | 531 |
| EXTERIOR ALUMINIUM PROFILES                        | 444 | ZACZEP DO ZAMKNIĘCIA RYGLOWEGO ŚCIENNEGO           | 371 |
| FARTUCHY   | 186 | ZACZEP DO ZAMKNIĘCIA RYGLOWEGO WPUSZCZANY          | 382 |
| FARTUCHY PRZECIWROZBRYZGOWE CLEAR PASS®            | 185 | ZACZEPY  | 46  |
| GNIAZDO RYGLA ŚCIENNEGO                            | 369 | ZACZEPY MOCOWANIA NARZĘDZI                         | 517 |
| GNIAZDO RYGLA WPUSZCZANE                           | 380 | ZAMKI Z ŁAPKA DOCISKOWĄ I OSŁONY                   | 297 |
| HAKI   | 29  | ZAMKNIĘCIA I AKCESORIA                             | 469 |
| HAKI DO WIESZANIA MIĘSA                            | 632 | ZAMKNIĘCIA I ZAMKI W KABINACH                      | 314 |
| INNE DRZWI   | 236 | ZAMKNIĘCIA JEDNOPUNKTOWE                           | 305 |
| KLAMKI, ZAMKI I ZASUWKI                            | 270 | ZAWIASY  | 432 |
| KŁONICE PRZESUWNE                                  | 612 | ZAWIASY CIĄGŁE                                     | 429 |
| KOMPENSATORY DO POMOSTÓW                           | 580 | ZAWIASY DO WPUSZCZANIA                             | 413 |
| MECHANIZMY UNOSZENIA I PRZESUWU ŚCIANEK DZIAŁOWYCH | 639 | ZAWIASY PŁASKIE                                    | 414 |
| MOCOWANIA RAMY                                     | 109 | ZAWIASY Z USZCZELKĄ                                | 407 |
| NAPIĘCIE PLANDEKI                                  | 601 | ZDERZAKI TYLNE                                     | 85  |
| OBLICZENIA I ELEMENTY ZAWIASÓW „LIFT UP®”          | 578 | ZDERZAK TYLNY DLA KONTENERÓW 3,5 T                 | 86  |
| ODBOJE, ZDERZAKI                                   | 208 | ZDERZAK TYLNY DLA KONTENERÓW 7,5 T                 | 87  |
| OKNA   | 558 | ZDERZAK TYLNY DLA KONTENERÓW 14 T                  | 88  |
| OSIE   | 405 | ZDERZAK TYLNY DLA KONTENERÓW O KAŻDYM CIĘŻARZE PTR | 89  |
| OSŁONY BOCZNE                                      | 115 | ZDERZAK TYLNY DLA NACZEP                           | 102 |
| OSPRZET ZAŁADOWCZY DO KONTENERÓW                   | 685 | ZESTAW ZAMKNIĘCIA RYGLOWEGO DO DRZWI BEZ WYSTĘPU   | 346 |
| OZNAKOWANIE  | 540 | ZESTAW ZAMKNIĘCIA RYGLOWEGO ŚCIENNEGO              | 325 |
| PŁETWY   | 389 | ZESTAW ZAMKNIĘCIA RYGLOWEGO WPUSZCZANY             | 333 |
| PÓŁKI I AKCESORIA                                  | 560 | ZESTAW ZAMKNIĘCIA RYGLOWEGO Z CIĘGNIAMI            | 321 |
| PROFILE I ZDERZAKI                                 | 211 |  |     |

**ALPHABETICAL INDEX**

|                                       |     |   |     |
|---------------------------------------|-----|---|-----|
| 1 POINT LOCKING SYSTEM                | 305 | KEEPER FOR RECESSED LOCKING GEAR                | 380 |
| ACCESS                                | 217 | LIFTING ASSISTANCE                              | 569 |
| ACCESSORIES FOR COUPLINGS             | 77  | LIFT-OFF HINGES                                 | 432 |
| ACCESSORIES FOR EXTERNAL LOCKING GEAR | 372 | "LIFT UP" ACCESSORIES AND SELECTION CALCULATION | 578 |
| ACCESSORIES FOR FLUSH DOOR            | 349 | LOCKING GEAR KIT FOR FLUSH DOOR                 | 346 |
| ACCESSORIES FOR RECESSED LOCKING GEAR | 383 | LOCKS AND ACCESSORIES                           | 469 |
| ACCESSORIES FOR ROD LOCK              | 385 | MARKING   | 540 |
| ACCESSORIES FOR TIPPER AND FLATBED    | 669 | MEAT HANGING SYSTEM                             | 632 |
| ACCESSORIES FOR UNDERRUN BAR          | 105 | MUD-FLAP  | 186 |
| ACC FLUSH DOOR SYSTEM FOR 25 MM       | 227 | MUDGUARD  | 162 |
| AXLES                                 | 405 | OPEN FLAT ROOF                                  | 595 |
| BŁOTNIKI                              | 180 | OPEN PLUS R SLIDING ROOF                        | 597 |
| BOLT COUPLING                         | 40  | OPEN PLUS SLIDING ROOF                          | 591 |
| BOX INSIDE                            | 501 | OPEN SLIDING ROOF                               | 585 |
| BUMPERS, BUFFERS                      | 208 | OTHERS DOORS                                    | 236 |
| BUTROLL                               | 205 | OUTSIDE USING                                   | 510 |
| CABIN LOCKING SYSTEMS                 | 314 | PARTITION WALL POWER LIFT                       | 639 |
| CAM FOR EXTERNAL LOCKING GEAR         | 371 | PLASTIC TOOLBOXES                               | 140 |
| CAM FOR RECESSED LOCKING GEAR         | 382 | PROFILES AND RUBBER FENDERS                     | 211 |
| CHASSIS FIXATION                      | 109 | RAMP SPRINGS                                    | 580 |
| CLEAR PASS SPRAY SUPPRESSION FLAPS    | 185 | RECESSED HINGES                                 | 413 |
| COMPARTMENT LOCKS AND LOCK COVERS     | 297 | RECESSED LOCKING GEAR KIT                       | 333 |
| CONTAINER ACCESSORIES                 | 685 | ROD LOCK KIT                                    | 321 |
| CONTINUOUS HINGES                     | 429 | SEALS   | 251 |
| CONVERSION LIST TYRE / MUDGUARD       | 159 | SECURITY  | 518 |
| COUPLING HEADS                        | 46  | SHELVES AND ACCESSORIES                         | 560 |
| COUPLINGS                             | 26  | SIDE GUARDS                                     | 115 |
| CURTAIN ACCESSORIES                   | 619 | SLIDING PILLARS                                 | 612 |
| CURTAIN TENSIONING                    | 601 | SLIDING ROOF ACCESSORIES                        | 598 |
| DOOR RETAINERS                        | 238 | S.ROLL  | 203 |
| DRAWBAR EYES                          | 54  | STAINLESS STEEL TOOLBOXES                       | 135 |
| DRAWBAR HEADS                         | 50  | STEEL TOOLBOXES                                 | 136 |
| DROPSIDES                             | 459 | TILTED SUPPORTS                                 | 121 |
| EXTERIOR ALUMINIUM PROFILES           | 440 | TOOL STOWAGE CLAMP                              | 517 |
| EXTERNAL LOCKING GEAR KIT             | 325 | TOW BAR   | 75  |
| FASTENERS                             | 265 | TOW BAR FOR 3,5T TRAILER                        | 64  |
| FIXED SUPPORTS                        | 125 | TOWING BARS                                     | 47  |
| FLAT HINGES                           | 414 | TOWING YOKES                                    | 36  |
| FLOOR COVERING                        | 551 | UNDERRUN BAR                                    | 85  |
| HANDLES FOR EXTERNAL LOCKING GEAR     | 329 | UNDERRUN BAR FOR 3.5 T TRUCKS                   | 86  |
| HANDLES FOR RECESSED LOCKING GEAR     | 334 | UNDERRUN BAR FOR 7.5 T TRUCKS                   | 87  |
| HANDLES, LOCKS AND LATCHES            | 270 | UNDERRUN BAR FOR 14 T TRUCKS                    | 88  |
| HINGE BRACKETS                        | 396 | UNDERRUN BAR FOR ALL GVWR TRUCKS                | 89  |
| HINGES                                | 389 | UNDERRUN BAR FOR SEMI-TRAILERS                  | 102 |
| HINGES WITH OVER SEAL SPACE           | 407 | VARIOUS TOOLBOXES AND ACCESSORIES               | 151 |
| INTERIOR ALUMINIUM PROFILES           | 435 | VENTILATION                                     | 554 |
| INTERIOR LIGHTING                     | 531 | VENTILATION DOOR                                | 631 |
| KEEPER FOR EXTERNAL LOCKING GEAR      | 369 | WINDOWS   | 558 |





# POMMIER WORLDWIDE



## Headquarters



### POMMIER

7, avenue de la Mare  
Zone d'activités des Béthunes  
95310 Saint-Ouen-l'Aumône  
CS 59090  
95072 CERGY-PONTOISE Cedex - FRANCE  
Tel. 0033 (0) 1 34 40 34 40  
Fax 0033 (0) 1 34 64 19 18  
france@pommier.eu  
www.pommier.eu

## Manufacturing subsidiaries



### POMMIER DIVES

Zone Industrielle de la Vignerie  
14160 DIVES-SUR-MER  
FRANCE  
Tel. 0033 (0) 2 31 28 19 00  
Fax 0033 (0) 2 31 91 65 83  
dives@pommier.eu  
www.pommier.eu



### POMMIER NEUFMANIL

12 Rue du Napont  
08700 NEUFMANIL  
FRANCE  
Tel. 0033 (0) 3 24 53 67 67  
Fax 0033 (0) 3 24 53 37 67  
neufmanil@pommier.eu  
www.pommier.eu



### POMMIER IZERON

965 Route de Saint-Sauveur  
38160 IZERON  
FRANCE  
Tel. 0033 (0) 4 76 38 40 86  
Fax 0033 (0) 4 76 64 07 90  
izeron@pommier.eu  
www.pommier.eu



### POMMIER ITALIA

Via Carlo Marx, 67  
42124 LOC. RONCOCESI REGGIO EMILIA  
ITALIA  
Tel. 0039 0522 49 12 11  
Fax 0039 0522 91 90 03  
italia@pommier.eu  
www.pommier.it

## Sales subsidiaries



### POMMIER ITALIA

Via Carlo Marx, 67  
42124 REGGIO EMILIA  
ITALIA  
Tel. 0039 0522 49 12 11  
Fax 0039 0522 91 90 03  
italia@pommier.eu  
www.pommier.it



### POMMIER ESPAÑA

Av Catalunya, 136  
08730 SANTA MARGARIDA  
ELS MONJOS  
ESPAÑA  
Tel. 0034 93 818 18 81  
Fax 0034 93 818 15 00  
espana@pommier.eu  
www.pommier.es



### POMMIER POLSKA

ul. Dawidowska 8, Zgorzala  
05-500 Piaseczno  
POLSKA  
Tel. 0048 22 330 60 60  
Fax 0048 22 330 60 70  
polska@pommier.eu  
www.pommier.pl



### POMMIER UK

Unit L, Key Industrial Park  
Fernside Road, Wednesfield Wolverhampton WV13 3YA  
ENGLAND  
Tel. 0044 (0) 1902 731106  
Fax 0044 (0) 1902 738630  
uk@pommier.eu  
www.pommier.eu

## Sales representatives



### GERMANY



### SWEDEN



### GERMANY



### SWEDEN

