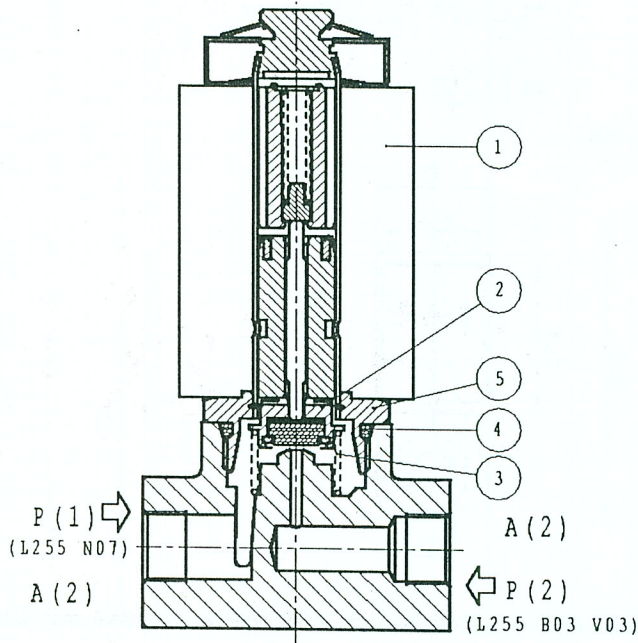


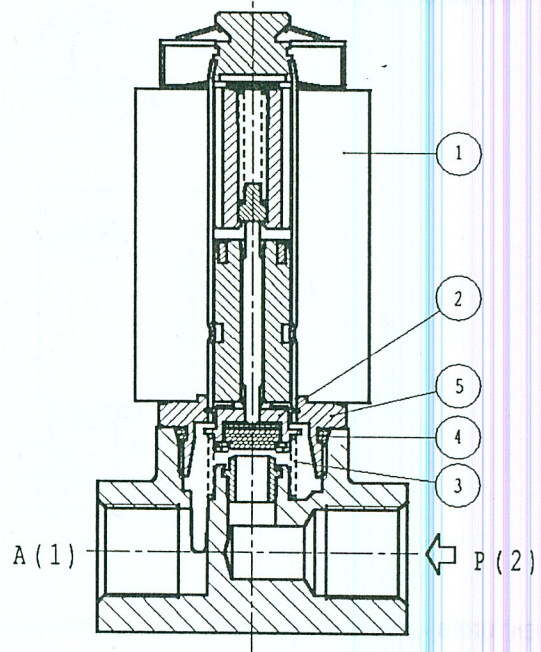
# SPARE PARTS

## Series L 255

L255 B03 V03 N07



L255 V04 V05 V06



### Kit Description

### Kit P.N.

### Consisting of:

Core sealing assembly kit L255B03 Ø 3,2  
L255V03-V04-V06 Ø 3,2

G3014302  
G3014302

Sealing group pos. 2  
Sealing return spring pos. 3

Core sealing assembly kit L255B03 Ø 4,5  
L255V03-V04-V05 Ø 4,5

G3014201  
G3014202

Sealing group pos. 2  
Sealing return spring pos. 3

Core sealing assembly kit L255N07 Ø 1,6  
L255N07 Ø 2 - Ø 2,3

G3014601  
G3014401

Sealing group pos. 2  
Sealing return spring pos. 3

Sealing return spring kit B-V03-04-V06 Ø 3,2

G3013301

N° 10 sealing return spring pos. 3

Sealing return spring kit B-V03-04-V05 Ø 4,5

G3013301

N° 10 sealing return spring pos. 3

Sealing return spring kit N07 Ø 1,6

G3013301

N° 10 sealing return spring pos. 3

Sealing return spring kit N07 Ø 2 - Ø 2,3

G3013301

N° 10 sealing return spring pos. 3

OR guide assembly kit L255B03

GU2424000017

N. 10 OR guide assembly pos. 4

OR guide assembly kit L255V03-04-05-06

GU2424000017

N. 10 OR guide assembly pos. 4

OR guide assembly kit L255N07

GU2424000017

N. 10 OR guide assembly pos. 4

Guide pipe assembly L255B03

3011401

Guide pipe assembly pos. 5

Guide pipe assembly L255V03-04

3011402

Guide pipe assembly pos. 5

Guide pipe assembly L255N07

3011403

Guide pipe assembly pos. 5

Guide pipe assembly L255V06

3011404

Guide pipe assembly pos. 5

Guide pipe assembly L255V05

3015301

Guide pipe assembly pos. 5

Coil Z510A

Coil pos. 1