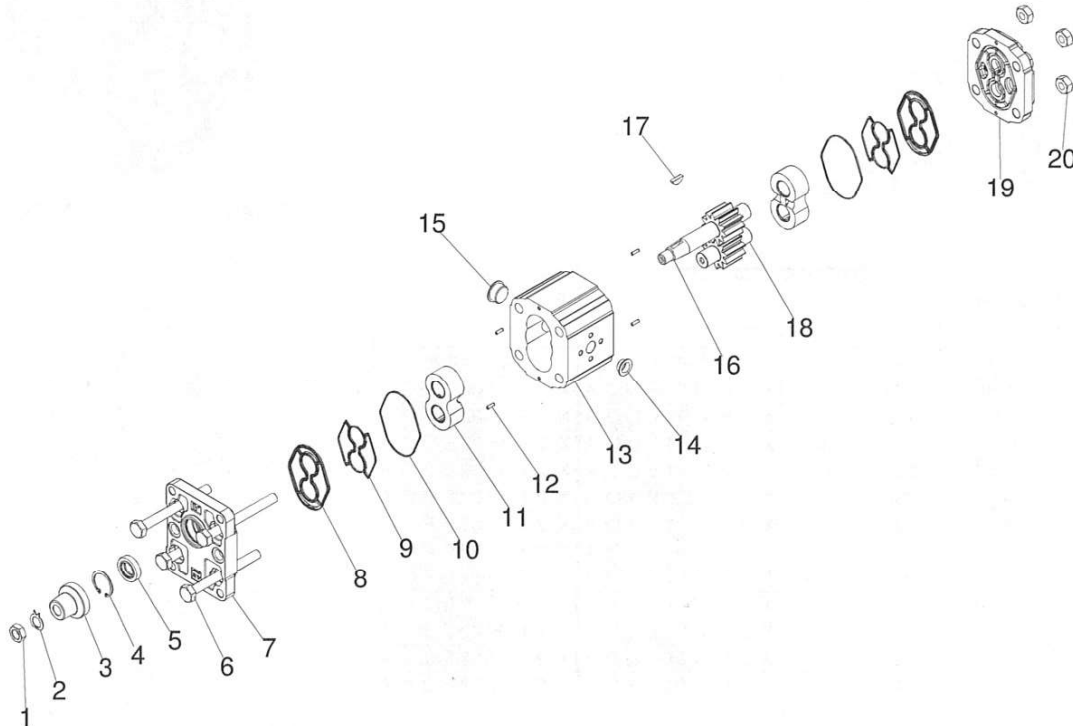


Example of ordering code:

**X2P5102EPOA XV2P/17 - Ø36.5 /D - CO001 - Ø40 M8 - Ø30 M6 - .**


Basic list				
Pos.	Item description	Item	Size	Quantity
1	NUT M12x1,5 H=7 CH.17	200.0157.A	0	1
2	TAB WASHER ø12,5xø19 - CO001-CO002 XV2	200.0150.A	0	1
3	KEY PROTECTION XV2	590.0010.A	0	1
4	ø29 INTERNAL SNAP RING DIN 472	560.0020.A	0	1
5	OIL SEAL 17.46 x 28.58 x 5.8/6.3 TCV (BAB SL)	690.0030.A	0	1
6	WHITE GALVANISED SCREW TE M10x100 UNI 5737 8.8	531.0010.A	L100	4
7	XV2 ø36,5 FLANGE	200.0238.A	0	1
8	INJECTION-MOLDED SEAL XV2 (NBR 70+75 SH)	200.0190.C	0	2
9	XV2 BACK-UP ELEMENT FOR BALANCING	200.0191.A	0	2
10	EXTERNAL BACK-UP ELEMENT XV2	200.0194.A	0	2
11	KV2P BUSH H=20	200.0012.A	0	2
12	PIN ø3x9,8	570.0005.A	0	4
13	STANDARD CROSS FLANGED BODY - cc=17	200.0006.A	H68	1
14	PLASTIC PLUG ø14	580.0001.A	D14	1
15	PLASTIC PLUG ø21	580.0001.A	D21	1
16	CO001 - TAPERED 1+8 DRIVING GEAR	200.0009.A	CC17	1
17	WOODRUFF KEY ø16x4 H=6,5	200.0141.A	0	1
18	COND2 - PERFORATED DRIVEN GEAR	200.0010.A	CC17	1
19	STANDARD XV2 COVER	200.0237.A	0	1
20	WHITE GALVANISED NUT M10 H=10 UNI 5587	540.0005.A	0	4