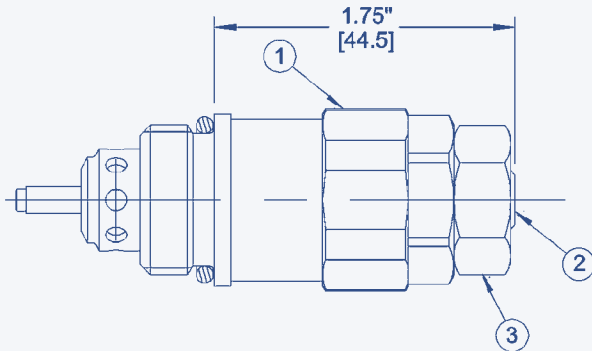


RELIEF VALVE ASSEMBLIES

MODEL 5060 PILOT OPERATED RELIEF VALVE WITH ANTI-VOID



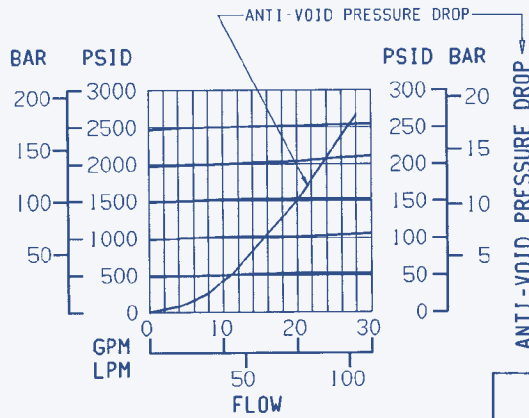
INSTALLATION AND ADJUSTMENT PROCEDURE

TORQUE MAIN BODY #1 INTO VALVE HOUSING USING 30 - 36 FT. LBS.

TO ADJUST PRESSURE SETTING, LOOSEN JAM NUT #3. TURN ADJUST SCREW #2 TO DESIRED SETTING. RE-TIGHTEN JAM NUT USING 6 - 8 FT. LBS.

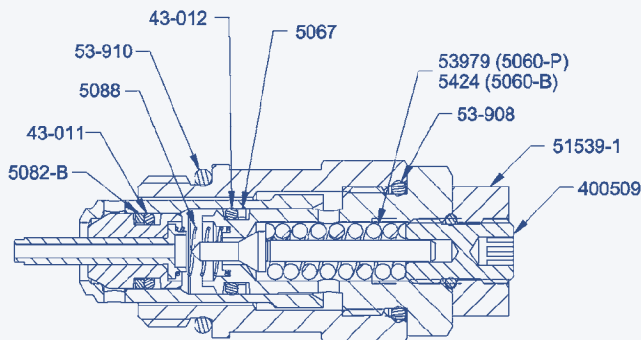
RELIEF VALVE ASSY. P/N	PRESSURE SETTING RANGE:	SPRING & SEAL KIT P/N:	SPRING P/N:	FACTORY SETTING AT 5 GPM	ADJUSTMENT VALUES PER 1/4 TURN
5060-B	100 - 1500 PSI	51790-1	5424	1000 PSI	200 PSI
5060-P	1500 - 3500 PSI	51790-3	53979	2000 PSI	550 PSI

5060-P RELIEF VALVE PERFORMANCE DATA



ABOUT THE 5060....

THE 5060 RELIEF VALVE IS THE WORKHORSE OF THE MODEL 5000 CONTROL VALVE LINE. THE 5060 IS USED AS A MAIN, CYLINDER PORT OR POWER BEYOND PRESSURE RELIEF VALVE. ITS HIGH FLOW PERFORMANCE CHARACTERISTICS AND ANTI-VOID CAPABILITIES MAKE IT THE UNIVERSAL CHOICE. THERE ARE OVER 2 MILLION 5060 RELIEFS IN OPERATION TODAY.



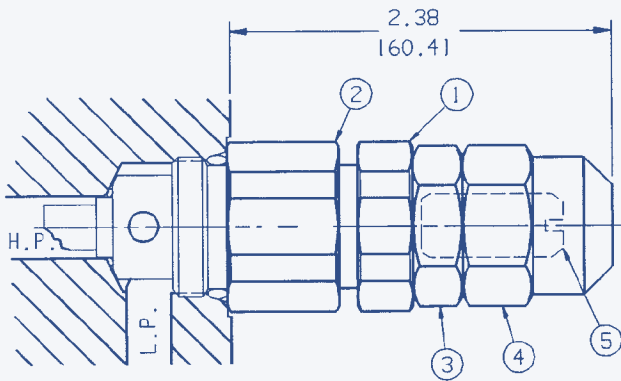
FOR KIT 51790-1 SPRING P/N 5424 REPLACES SPRING P/N 53979

SEAL & SPRING KIT 51790-3

PART NO.	DESCRIPTION	QTY.
400509	ADJUST SCREW ASSY.	1
43-011	O-RING	1
43-012	O-RING	1
5067	BACK-UP RING	1
5082-B	BACK-UP RING	1
5088	SPRING	1
51539-1	JAM NUT	1
53-908	O-RING	1
53-910	O-RING	1
53979	SPRING	1
A1003-2	INSTRUCTION SHEET	1

RELIEF VALVE ASSEMBLIES

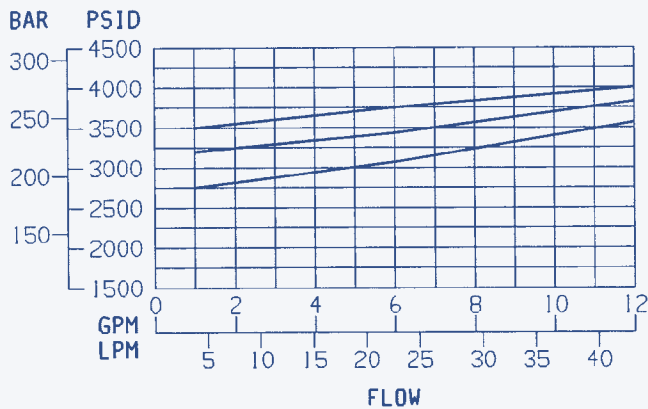
MODEL 52710 DIRECT ACTING RELIEF VALVE



INSTALLATION AND ADJUSTMENT PROCEDURE
 TORQUE MAIN BODY #1 INTO VALVE HOUSING THEN TORQUE LOCK NUT #2 USING 29.5 - 36.5 FT.-LBS. ON BOTH.
 TO ADJUST PRESSURE SETTING, REMOVE ACORN NUT #4 AND LOOSEN JAM NUT #3. TURN ADJUST SCREW #5 TO DESIRED SETTING. RE-TIGHTEN JAM NUT AND ACORN NUT USING 9 - 11 FT.-LBS.

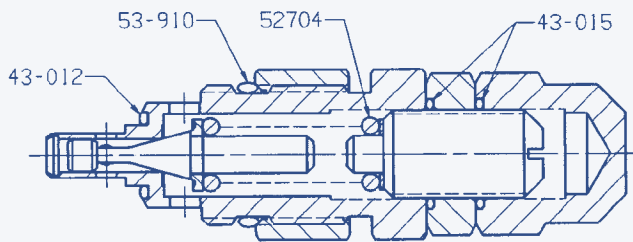
RELIEF VALVE ASSY. P/N	PRESSURE SETTING RANGE:	SPRING & SEAL KIT P/N:	SPRING P/N:	FACTORY SETTING AT 5.0 GPM	ADJUSTMENT VALUES PER 1/4 TURN
52710-B	500-1500 PSI	52727-1	52708	1000 PSI	175 PSI
52710-C	1500-3500 PSI	52727-2	52704	2000 PSI	250 PSI

52710 RELIEF VALVE PERFORMANCE DATA



ABOUT THE 52710....

THE 52710 SERIES RELIEF IS A LOW COST, LOW FLOW, DIRECT ACTING RELIEF CARTRIDGE THAT FITS IN ALL THE AUXILIARY PORTS LISTED IN THIS CATALOG. IT IS USED EXTENSIVELY AS A CYLINDER PORT RELIEF WHEN A FULL FLOW RELIEF IS NOT NECESSARY. THIS RELIEF IS COMMONLY USED FOR ELIMINATING THE EFFECTS OF LOW FLOW PEAK PRESSURE SPIKES.



SPRING & SEAL KIT 52727-2 *		
PART NO.	DESCRIPTION	QTY.
43-012	O-RING	1
43-015	O-RING	2
52704	SPRING	1
53-910	O-RING	1

* FOR KIT 52727-1 SPRING P/N 52708 REPLACES SPRING P/N 52704