

The point charging bar R23ATR is used wherever target-specific electrostatic charges need to be applied even at high temperatures. For instance in edge trim adhesion in flat film production. Using the point charging bars R23ATR, both outer edge zones of the film are fixed directly downstream from the flat film extrusion die to prevent neck-in.

The point charging bar R23ATR can be operated with one, two or three emission tips. The tips are interchangeable.

The geometry of the tips is adjustable depending on application. This means that the point charging bar R23ATR may be used horizontally or vertically even in confined spaces.

## Technical Information



F01029y

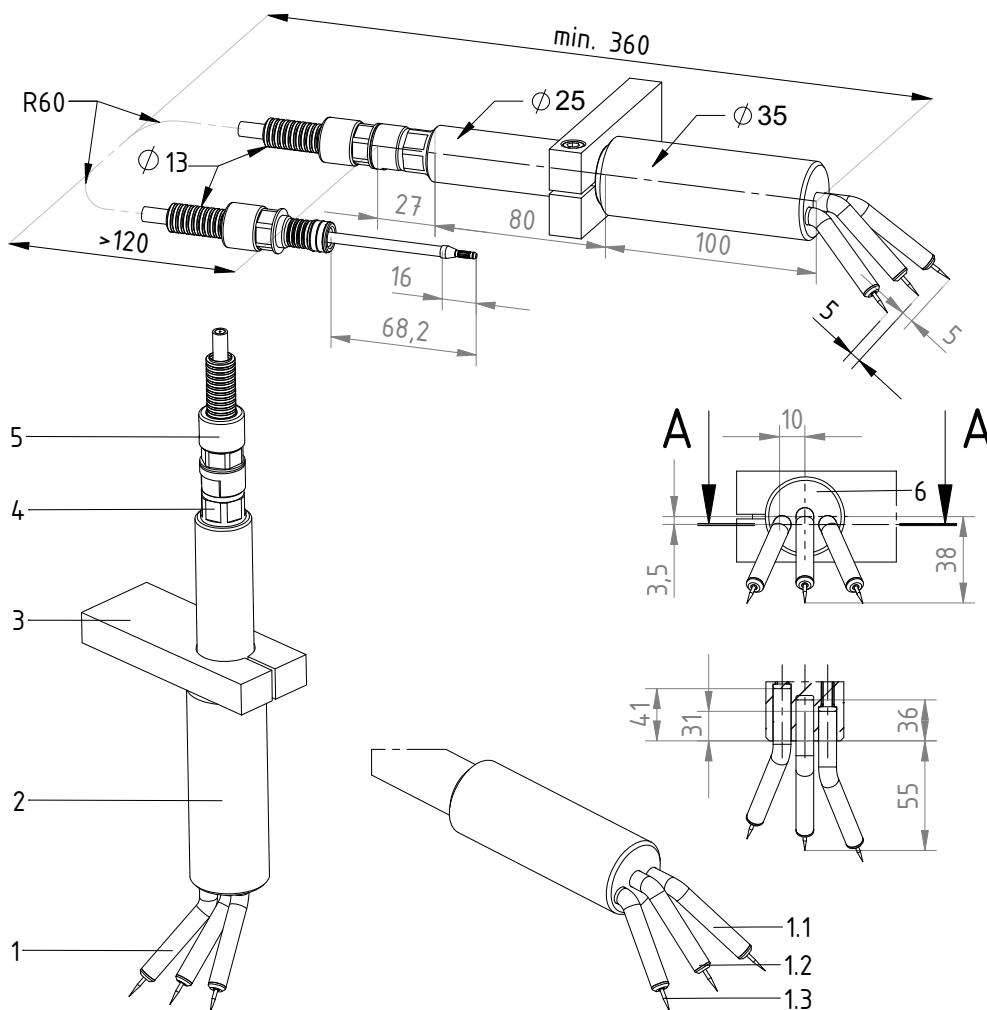
## R23ATR Point Charging Bar

TI-en-3021-1805





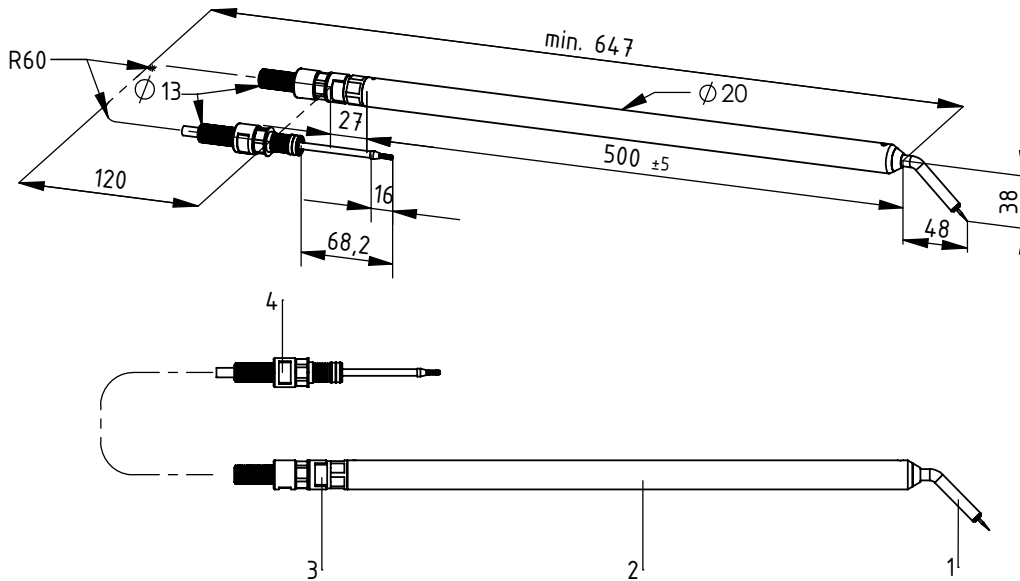
**R23ATR/RAAA Point Charging Bar**  
**Design right with emission Type A**



- 1 Emission tips
- 2 Base element PU
- 3 GRP holder for installation (provided by the customer)
- 4 Cable gland
- 5 Prefabricated high voltage cable for connecting to the high voltage generator (accessories: not supplied)
- 6 Hole diagram and mounting depth of the emission tips

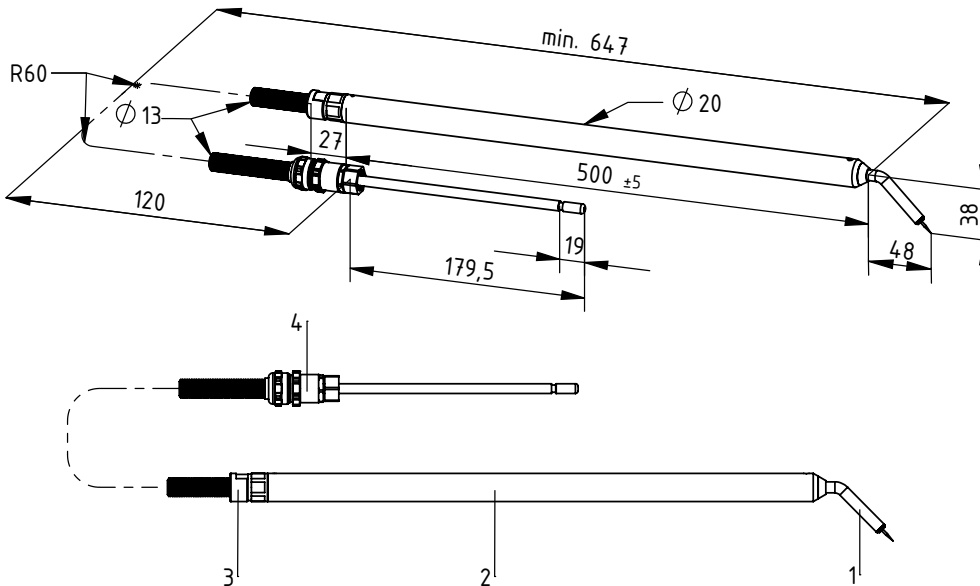
Z-116463\_2y

## R23ATR11/\_A Point Charging Bar with detachable high voltage cable



- 1 Emission tip Type A
- 2 Base element PU
- 3 Cable gland
- 4 Prefabricated high voltage cable for connecting to the high voltage generator (accessories: not supplied)

## R23ATR11/\_AY Point Charging Bar with fixed high voltage cable



- 5 Emission tip Type A
- 2 Base element PU
- 3 Cable gland / cable gland glued
- 4 Prefabricated high voltage cable for connecting to the high voltage generator

Z-116539ay\_2

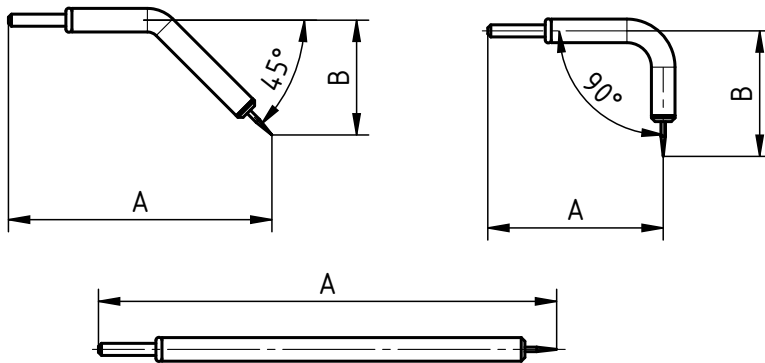
Z-116539ay\_1





## Technical specifications

Bar element	PU, UL 94 V-0
Emission tips	R23ATR: max. 3 emission tips R23ATR11: 1 emission tip exchangeable, adjustable, with insulating coating, current limited via separate resistance
Ambient operating temperature	0...+120°C (+32...+248°F) in emission tip area 0...+70°C (+32...+158°F) on bar element
Dimensions	see figures page 2 - 4
Operating voltage	R23ATR: 30 kV DC max. R23ATR11: 30 resp. 60 kV DC max.
High voltage power supply	via Eltex high voltage generators series KNH34/35, KNH64/65 resp. POWER CHARGER PCSC
High voltage cable	Detachable cable connection: prefabricated, exchangeable high voltage cable in plastic tubing with connector for charging bar and high voltage generator, high voltage cable must be ordered separately, specify cable length and type of generator when ordering  Fixed high voltage cable: high voltage cable in plastic tubing with connector for high voltage generator specify cable length and type of generator when ordering



*Consider mounting depths  
according to the figures  
on page 2 - 4*

## Overview emission tips

<b>Emission tips</b>				
<b>Type</b>	<b>Angle</b>	<b>A (mm)</b>	<b>B (mm)</b>	<b>Art.-No.</b>
A	45°	87	38	100294
B	0°	151.5	0	100293
C	45°	77	38	100292
D	45°	97	38	100291
E	45°	129	80	103418
F	45°	187	38	100301
G	45°	241	38	100296
H	45°	251	38	100295
I	45°	356	38	103500
J	90°	48	41.5	100297
K	90°	58	41.5	106320
L	90°	58	60.5	107854
M	90°	64	41.5	106615
N	90°	68	41.5	106321
P	90°	74	41.5	106616
R	90°	84	41.5	106617
S	90°	195	138.5	100298
T	90°	205	43	104038
U	90°	205	138.5	100299
V	90°	215	138.5	100300
X				no tip



Eltex-Elektrostatik-Gesellschaft mbH  
 Blauenstraße 67-69, D-79576 Weil am Rhein  
 Phone +49 (0) 76 21/ 79 05 - 230  
 Fax +49 (0) 76 21/ 79 05 - 330  
 eMail [static-control@eltex.com](mailto:static-control@eltex.com)  
 Internet [www.eltex.com](http://www.eltex.com)

