



IV-G500MA

Sensor Head, Standard, Monochrome, Automatic focus model

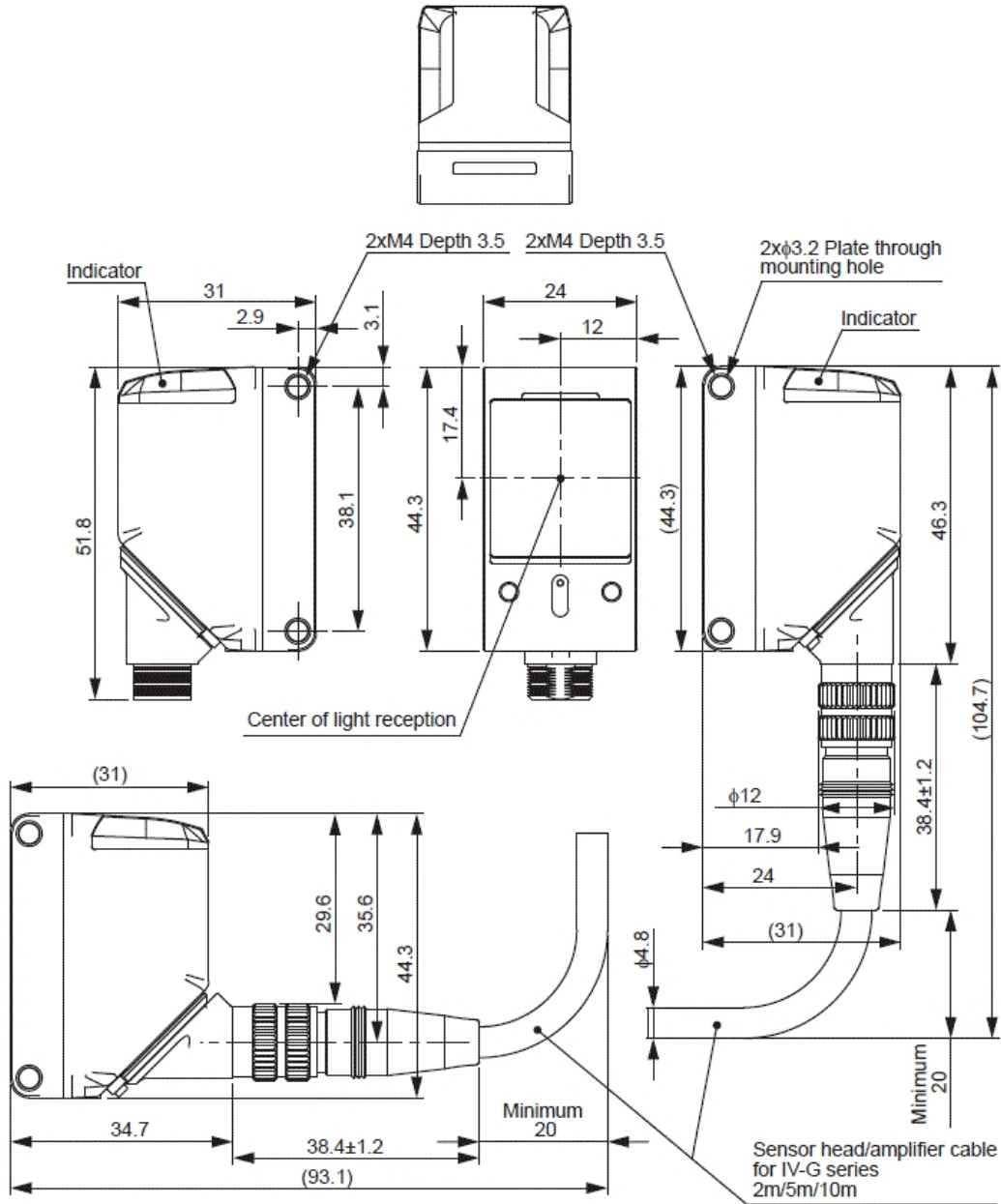


Dimensions

* Download CAD file or product manual for larger image/text and more detail.

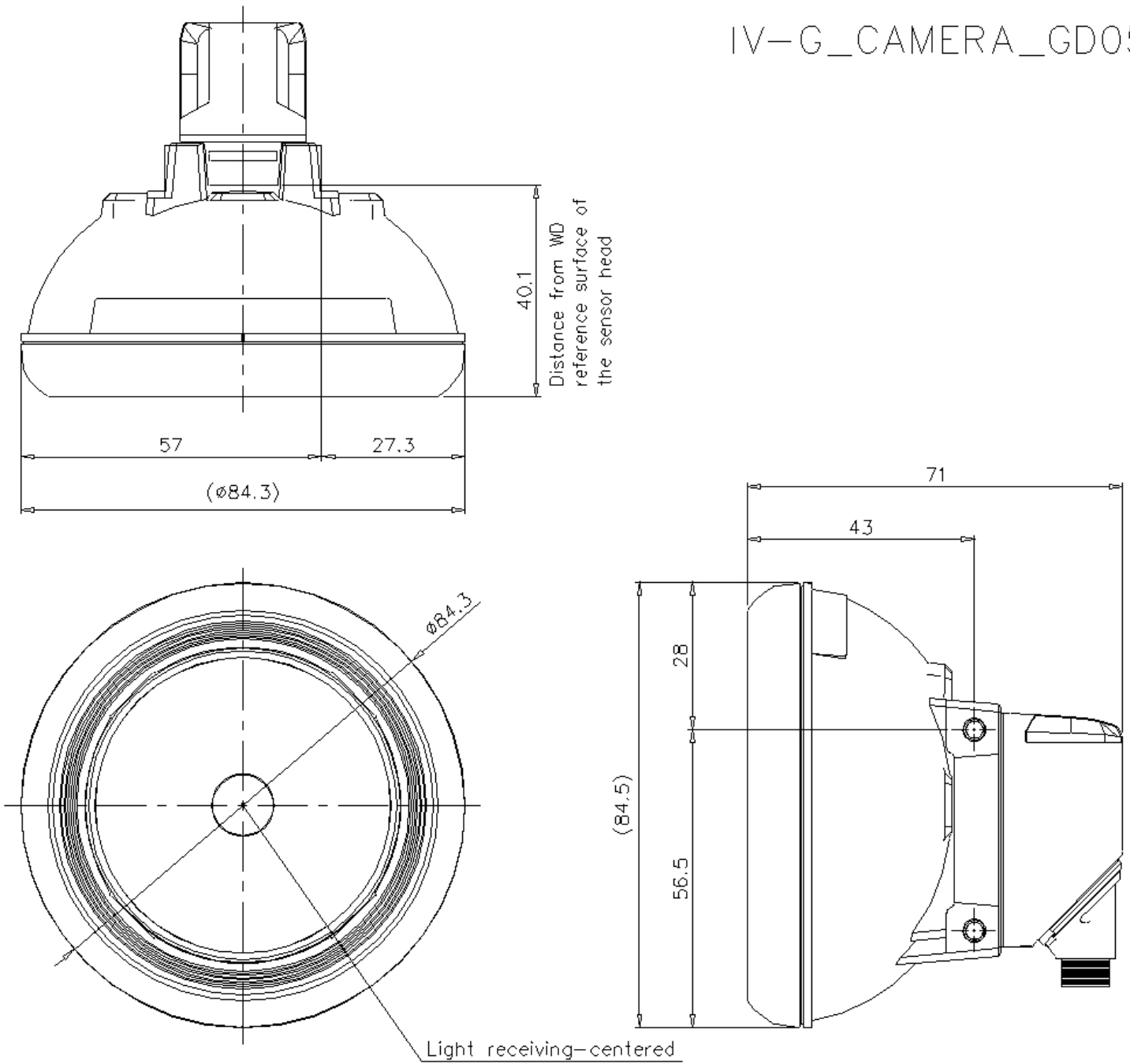
IV-G_CAMERA_dimension_01.gif

- IV-G500CA
- IV-G500MA
- IV-G150MA
- IV-G300CA
- IV-G600MA



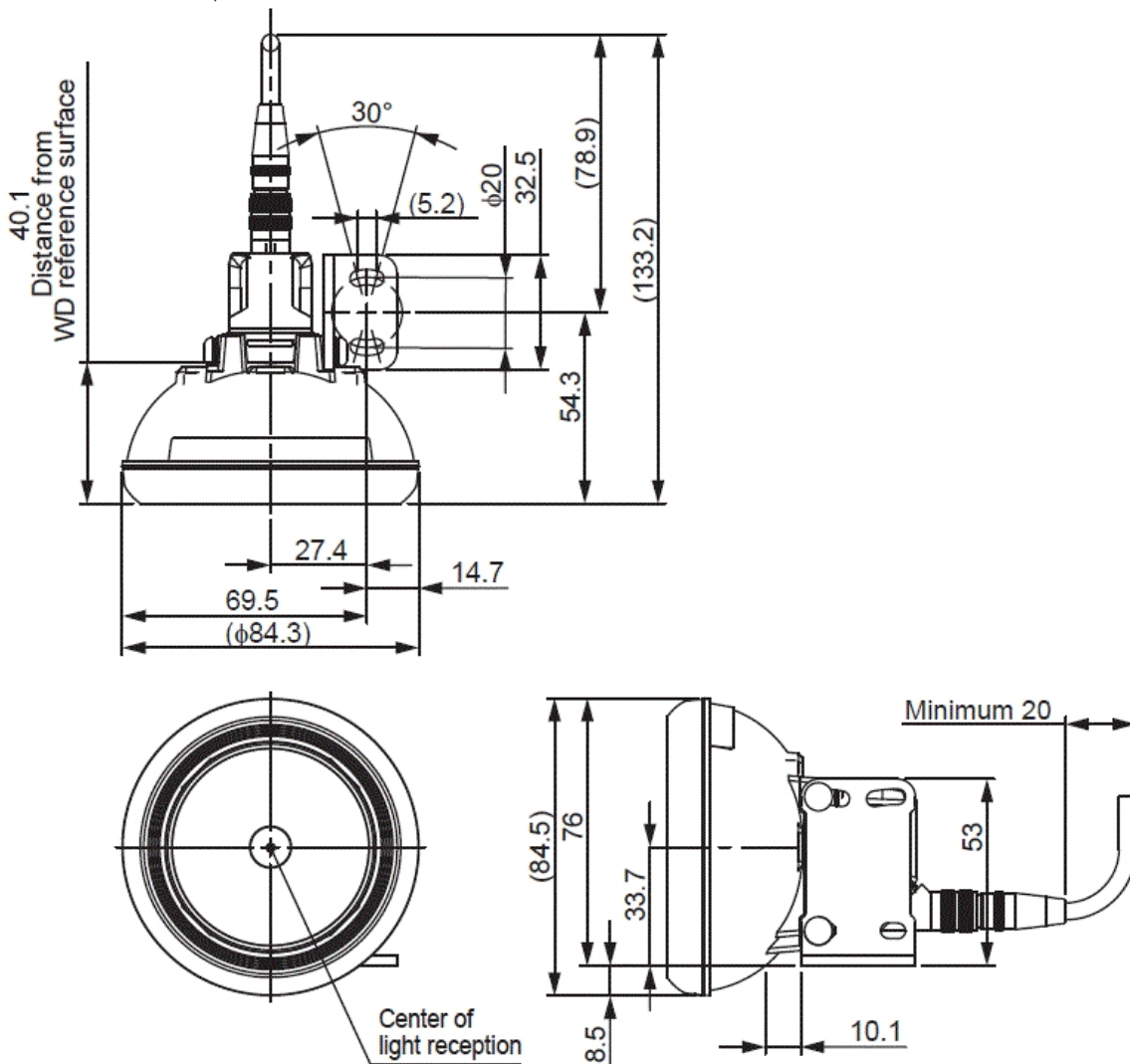
IV-G_CAMERA_GD05_dimension_01.gif

IV-G_CAMERA_GD05



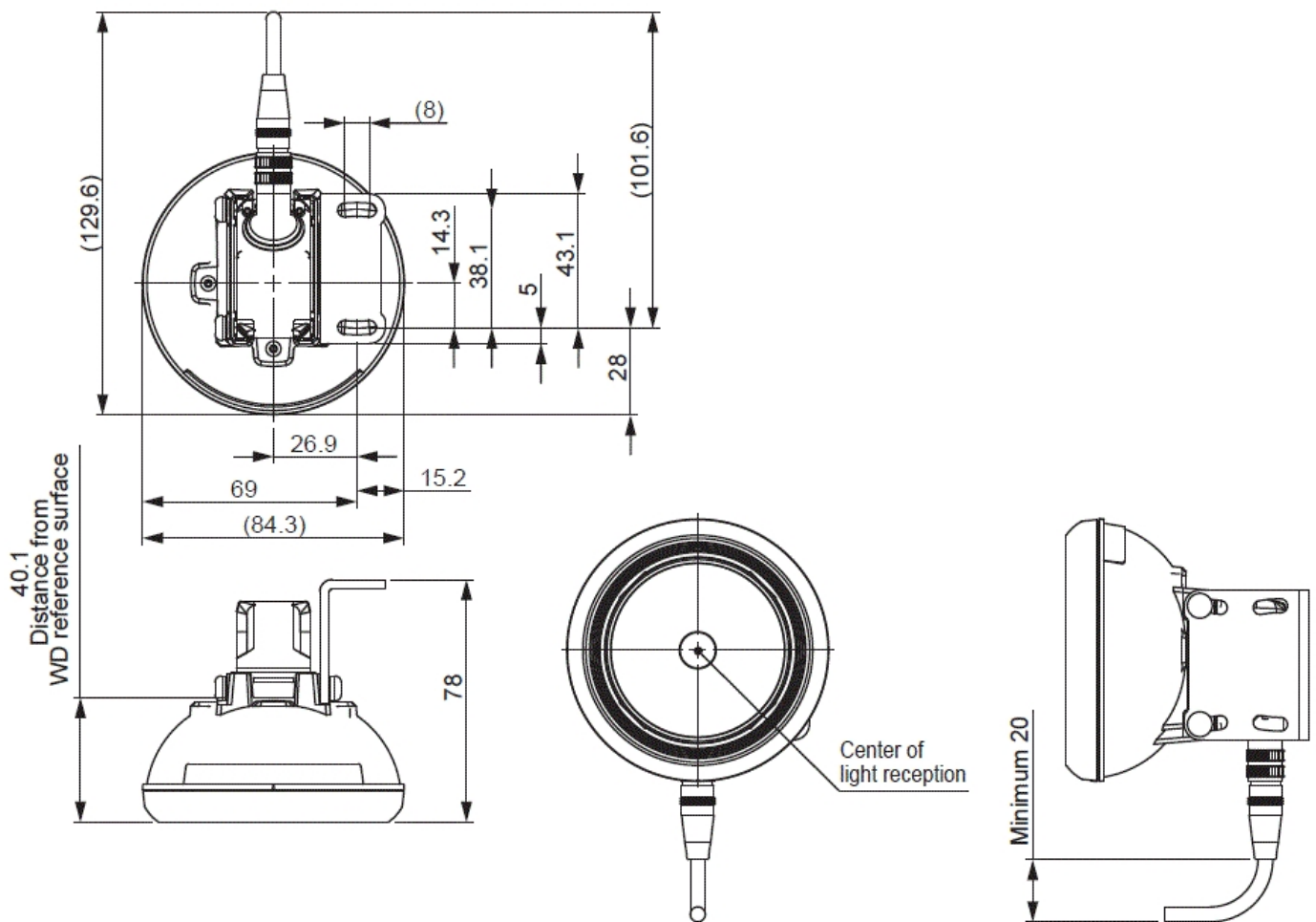
IV-G_CAMERA_GD05_OP-87908_dimension_01.gif

- Dome attachment for IV-G series (IV-GD05)
with Vertical mounting bracket for IV-G series (OP-87908)



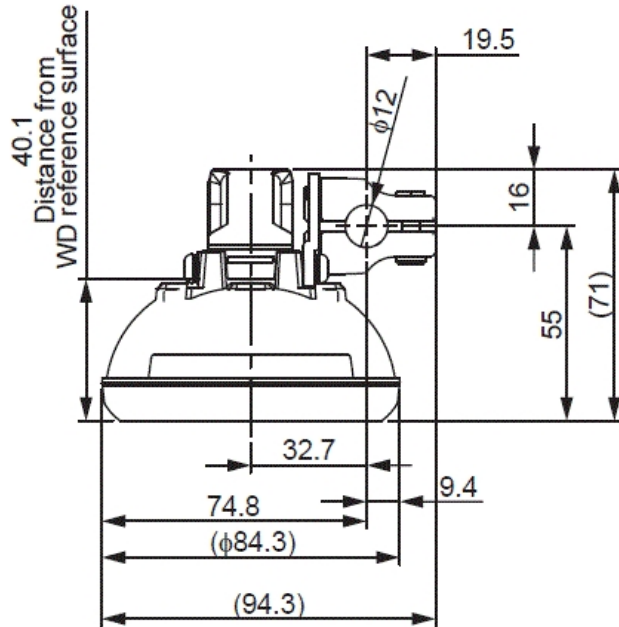
IV-G_CAMERA_GD05_OP-87909_dimension_01.gif

- Dome attachment for IV-G series (IV-GD05)
with Transverse mounting bracket for IV-G series (OP-87909)

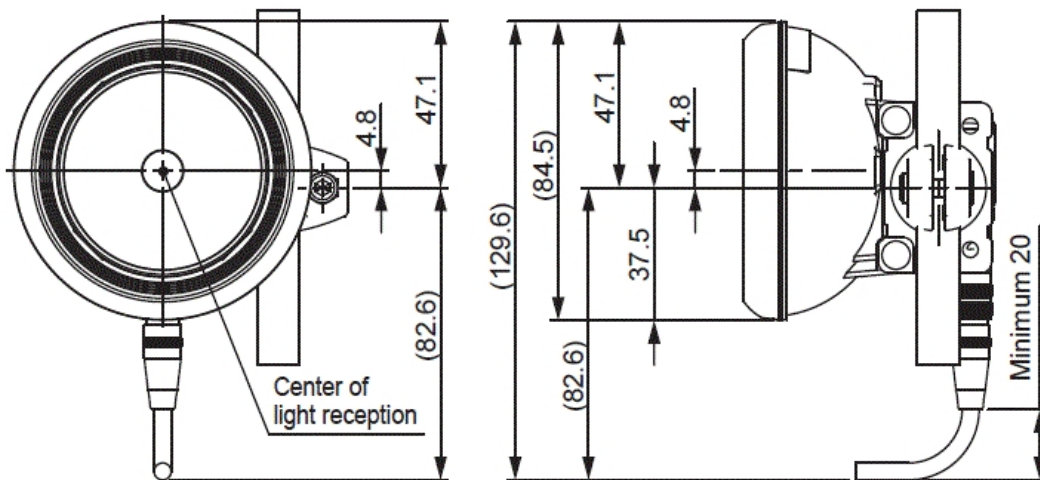


IV-G_CAMERA_GD05_OP-87910_dimension_01.gif

• Dome attachment for IV-G series (IV-GD05)
with Adjustable bracket for IV-G series (OP-87910)

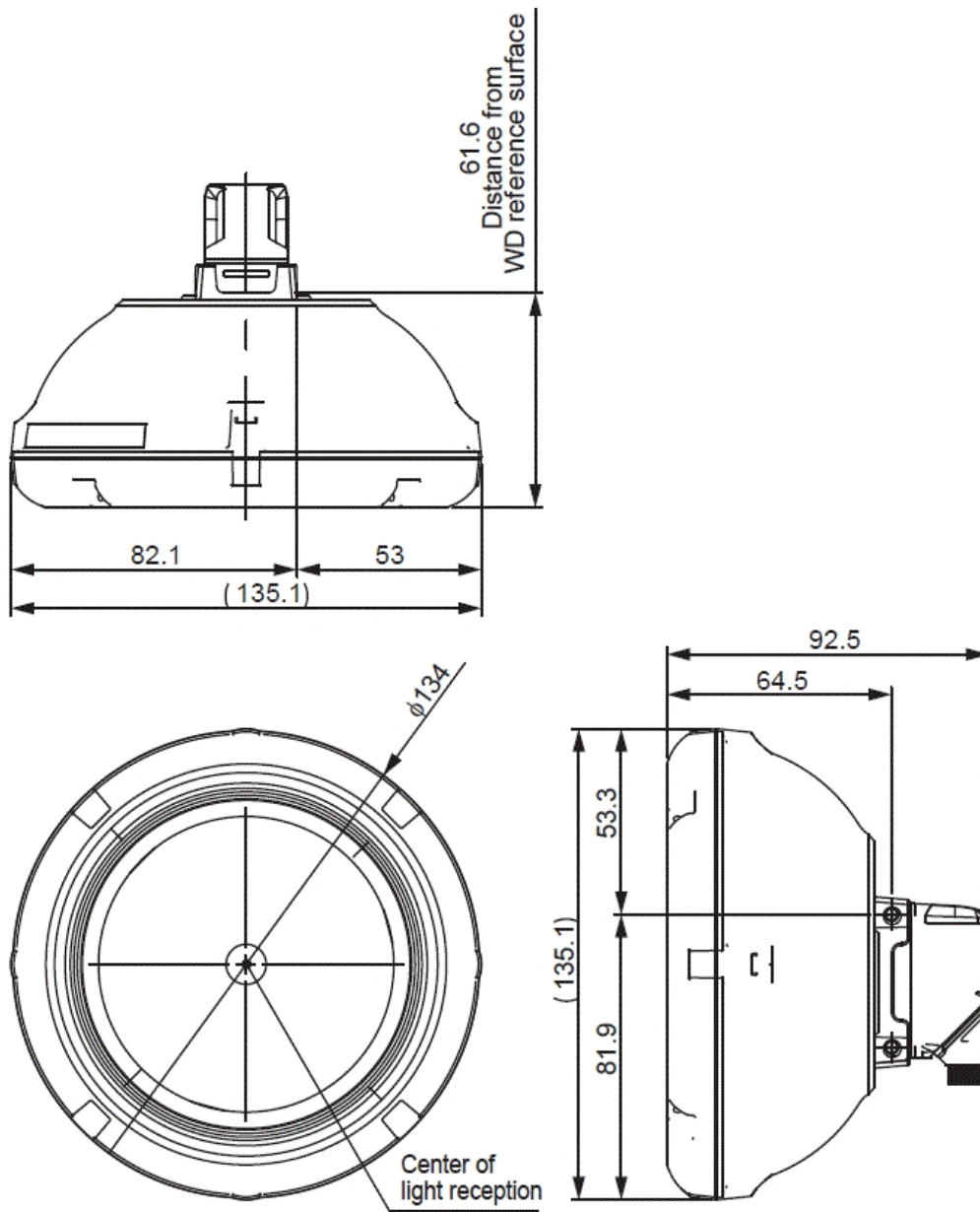


* Strut φ12 is not supplied with the OP-87910



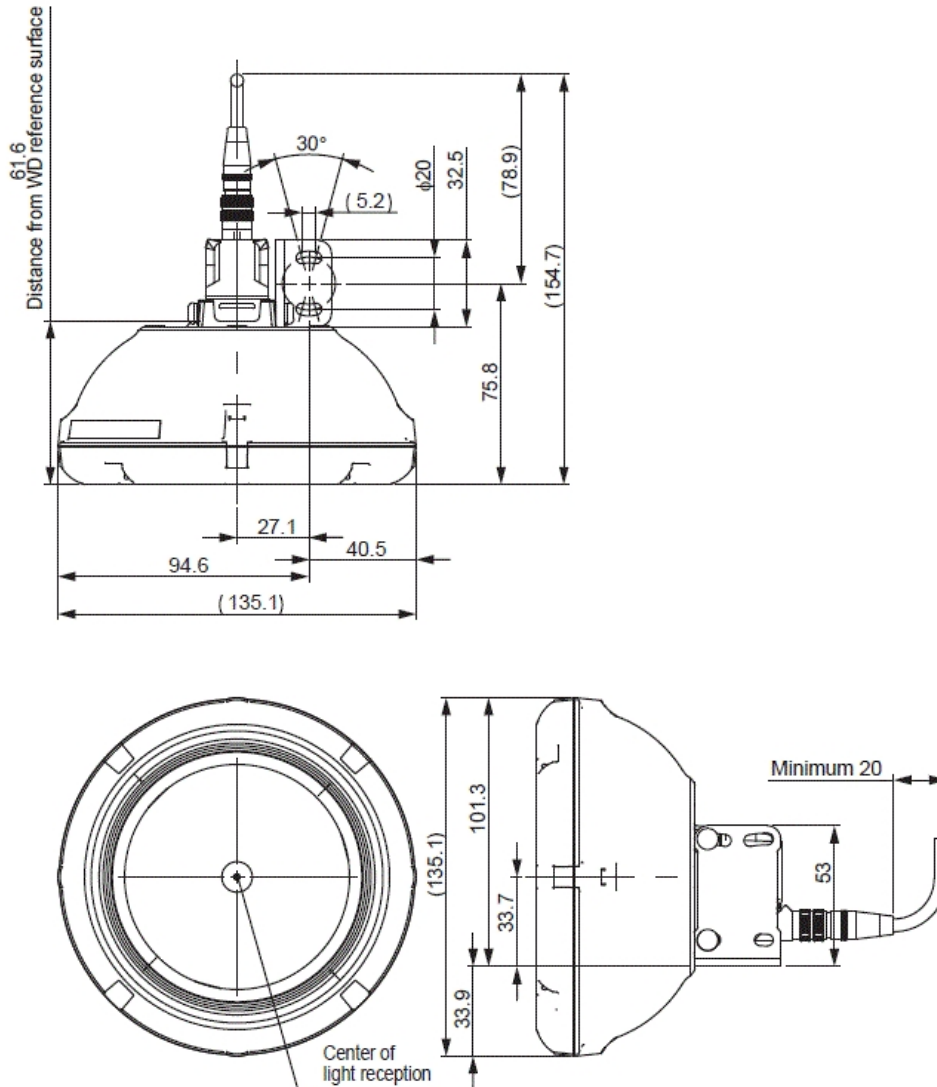
IV-G_CAMERA_GD10_dimension_01.gif

• With Dome attachment for IV-G series (IV-GD10)



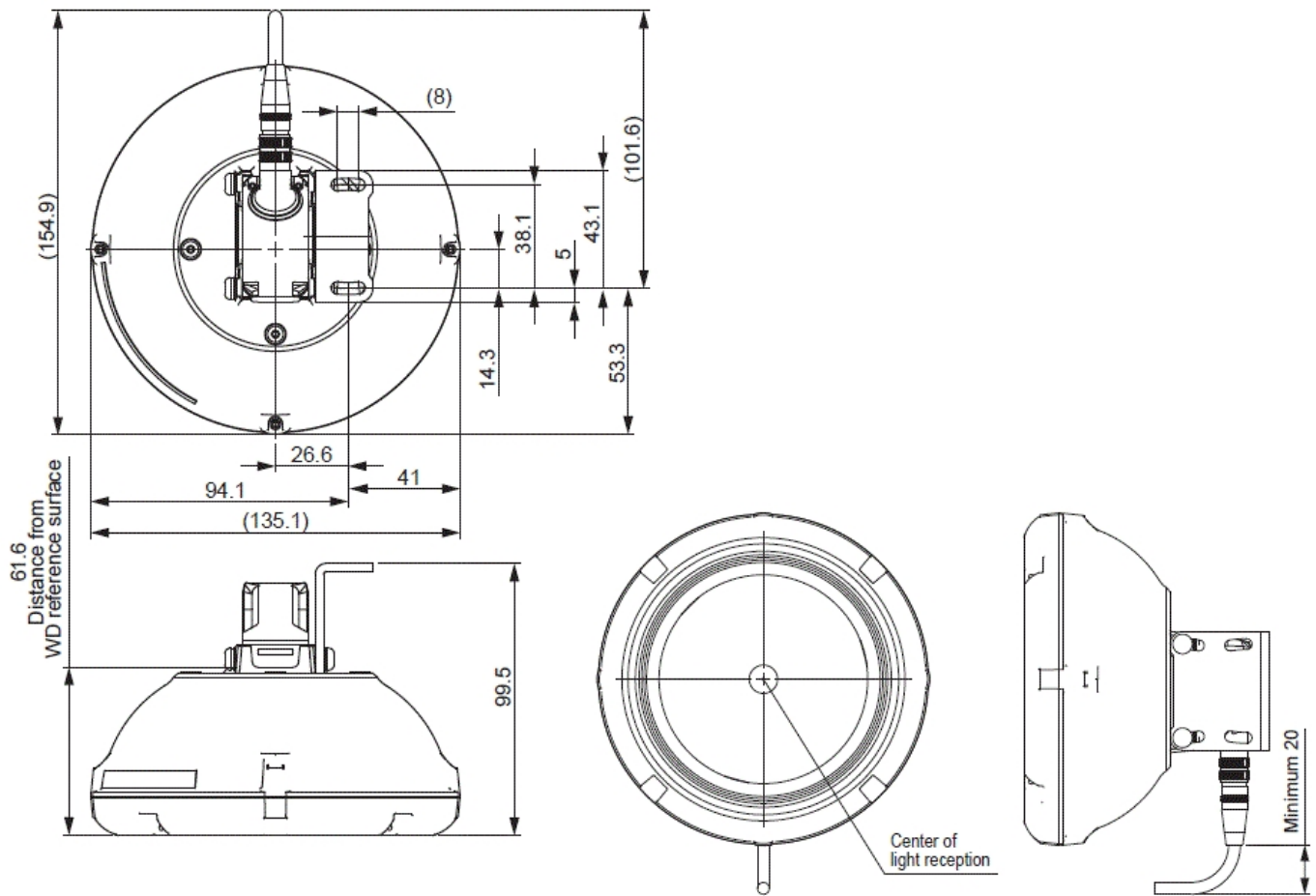
IV-G_CAMERA_GD10_OP-87908_dimension_01.gif

- Dome attachment for IV-G series (IV-GD10) with Vertical mounting bracket for IV-G series (OP-87908)



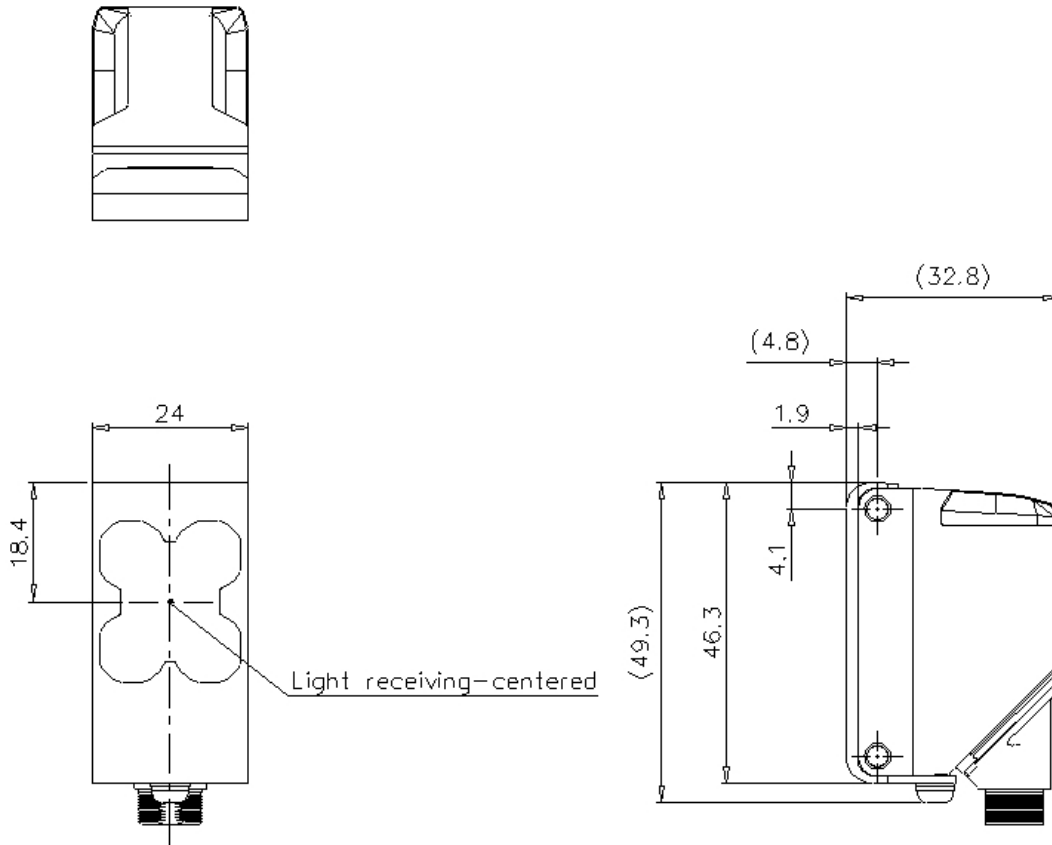
IV-G_CAMERA_GD10_OP-87909_dimension_01.gif

- Dome attachment for IV-G series (IV-GD10) with Transverse mounting bracket for IV-G series (OP-87909)



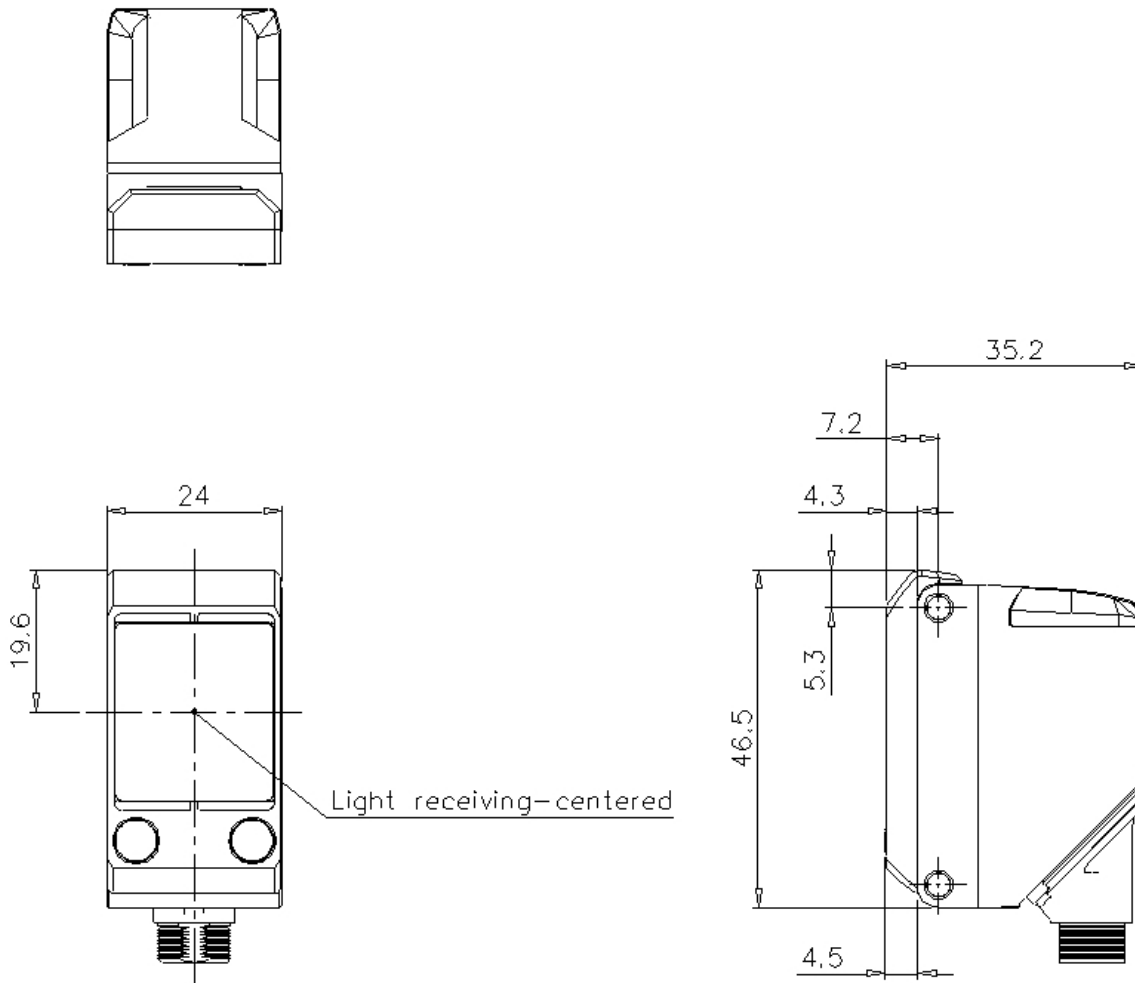
IV-G_CAMERA_GD10_OP-87910_dimension_01.gif

IV-G_CAMERA_OP-87899/87900/87901



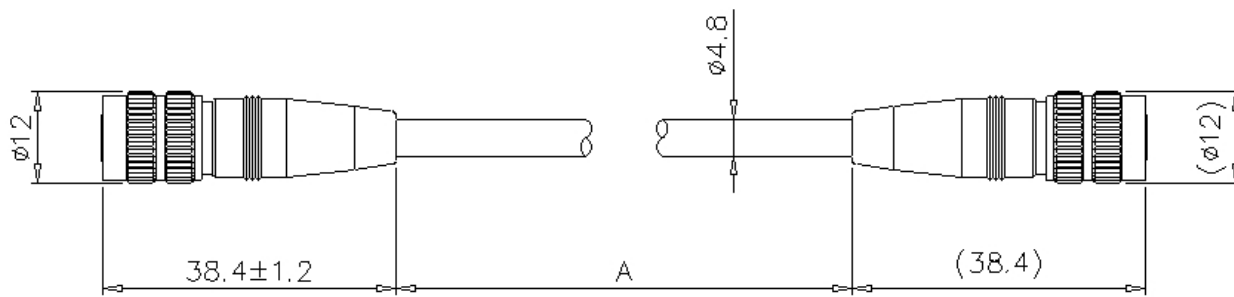
IV-G_CAMERA_OP-87902_dimension_01.gif

IV-G_CAMERA_OP-87902



IV-G_CAMERA_OP-87903_87904_87905_dimension_01.gif

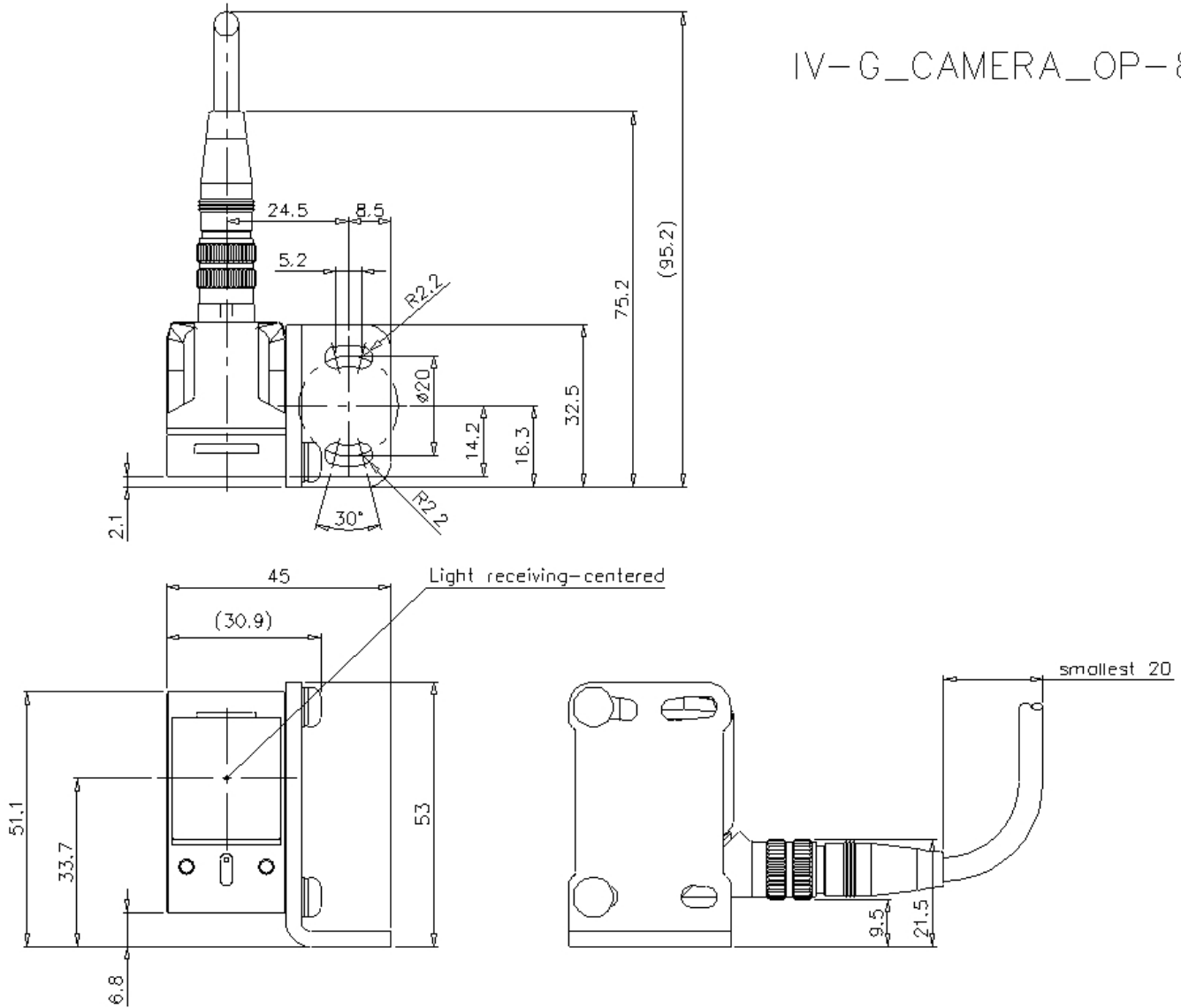
IV-G_CAMERA_OP-87903/87904/87905



	A
OP-87903	2000
OP-87904	5000
OP-87905	10000

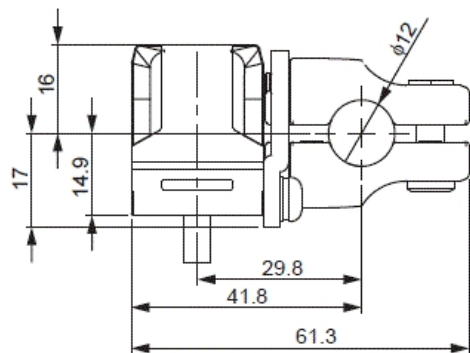
IV-G_CAMERA_OP-87908_dimension_01.gif

IV-G_CAMERA_OP-87908

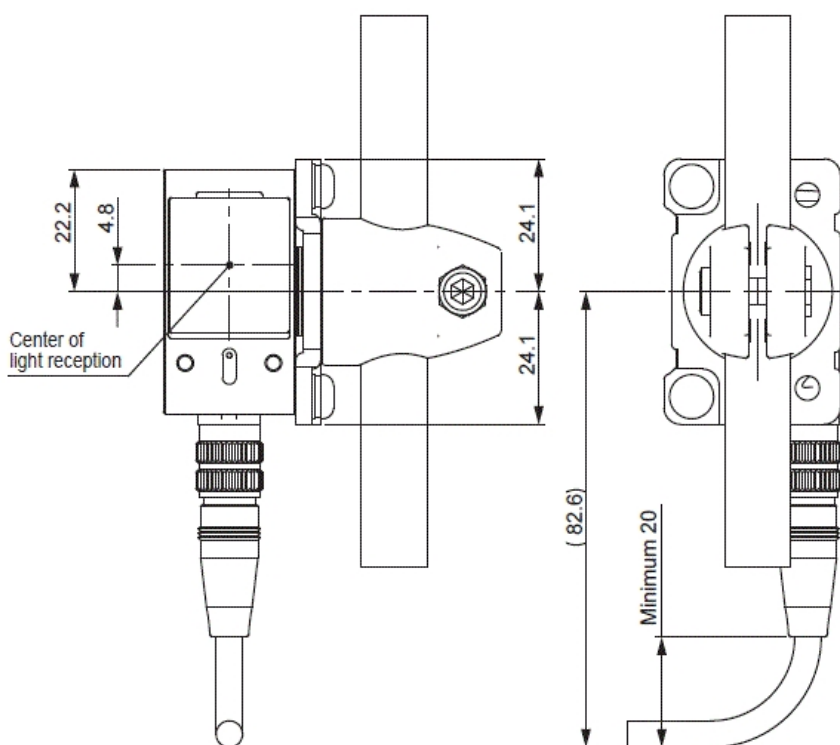


IV-G_CAMERA_OP-87909_dimension_01.gif

• With Adjustable bracket for IV-G series
(OP-87910)

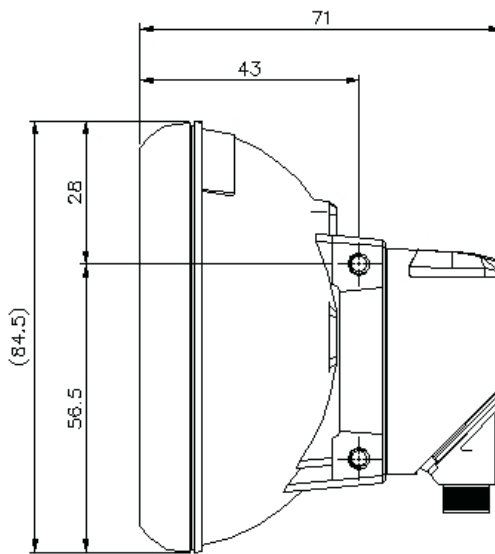
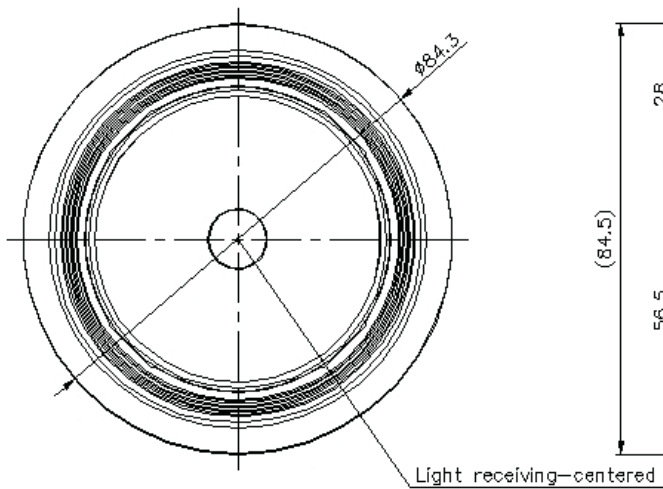
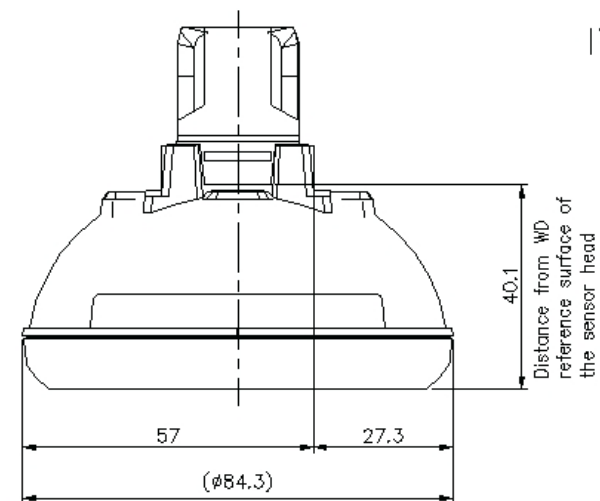


* Strut $\phi 12$ is not supplied with the OP-87910



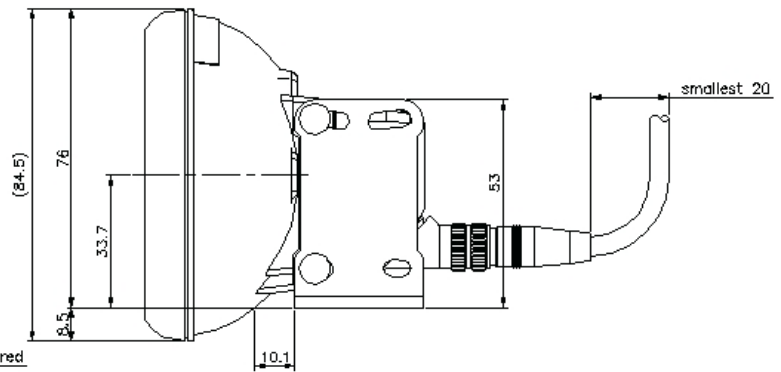
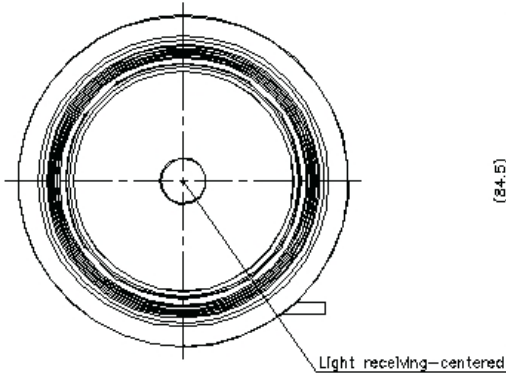
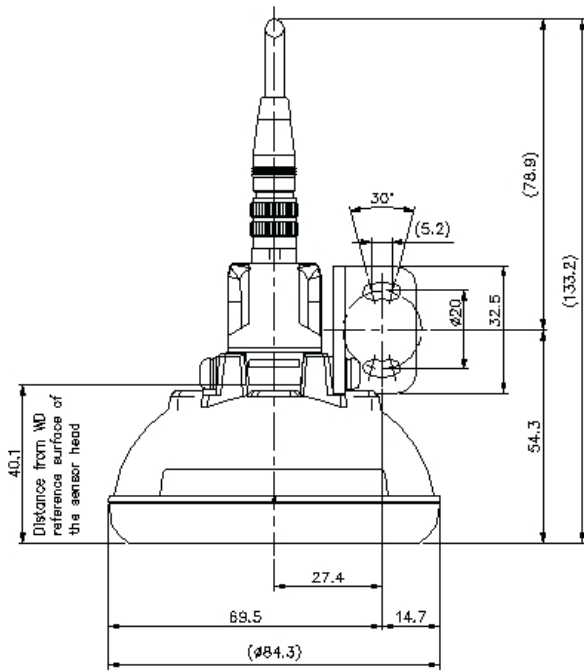
iv-g_hg_camera_gd05_dimension_01.gif

IV-G150MA/G300CA/G500CA/G500MA
 /G600MA/HG150MA/HG300CA/HG500CA
 /HG500MA/HG600MA/GD05



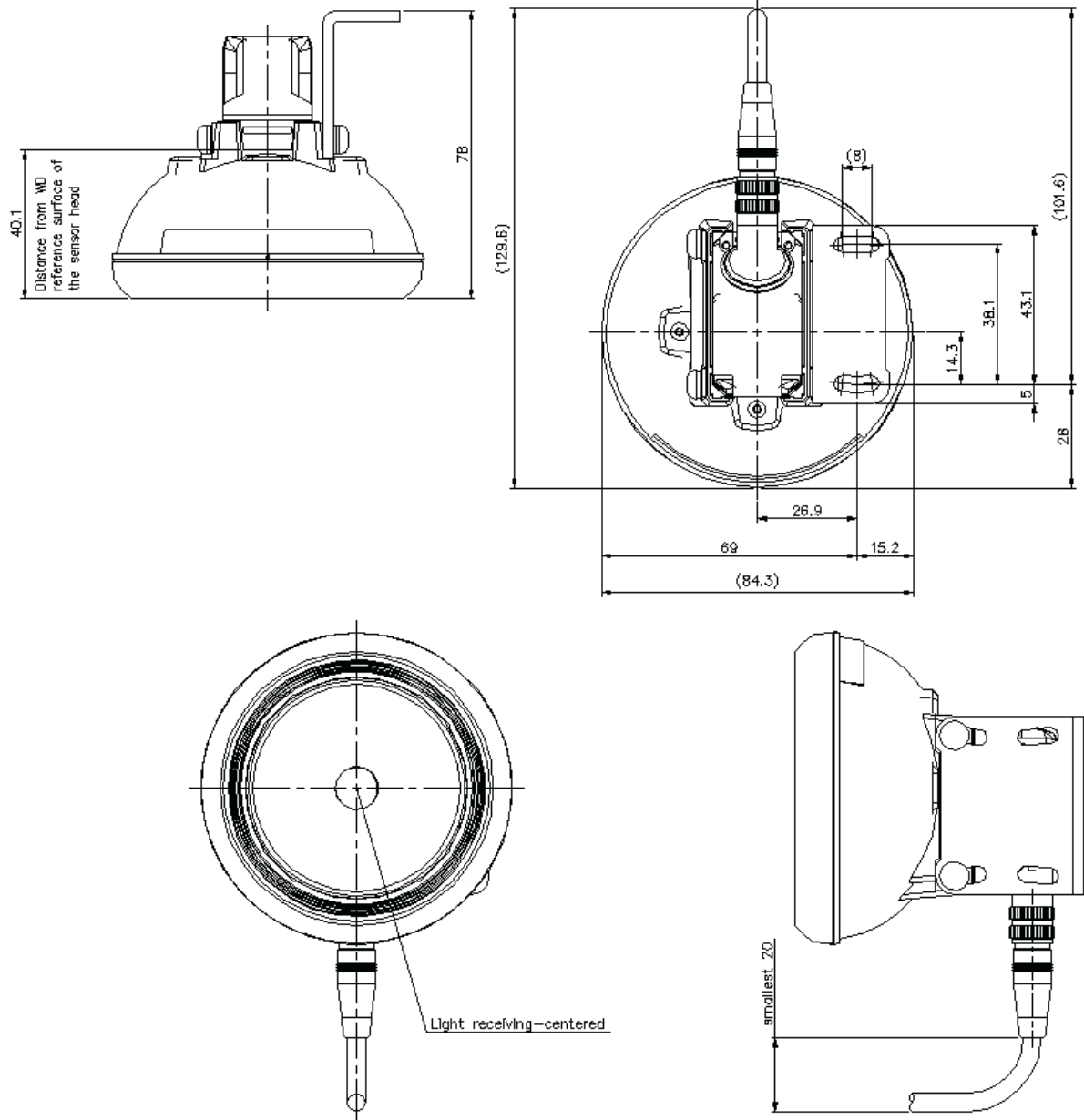
iv-g_hg_camera_gd05_op87908_dimension_01.gif

IV-G150MA/G300CA/G500CA/G500MA
 /G600MA/HG150MA/HG300CA/HG500CA
 /HG500MA/HG600MA/GD05/OP-87908



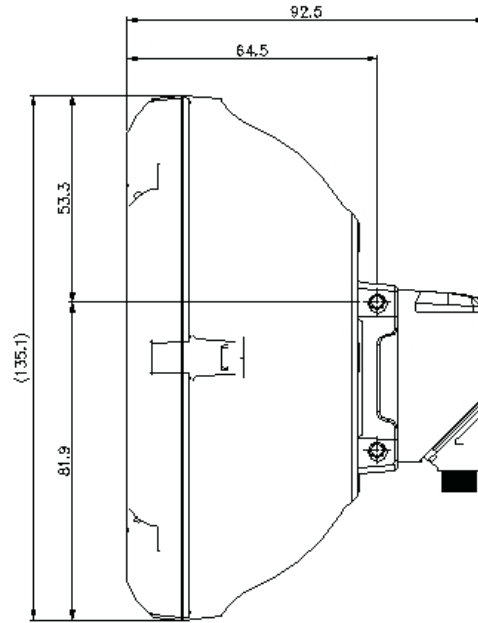
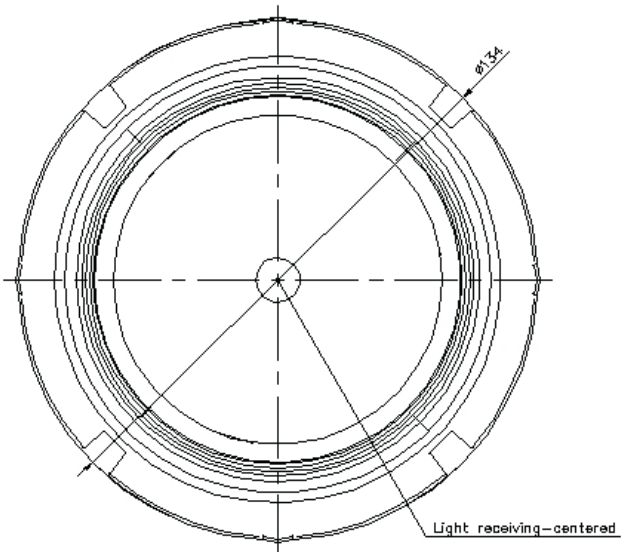
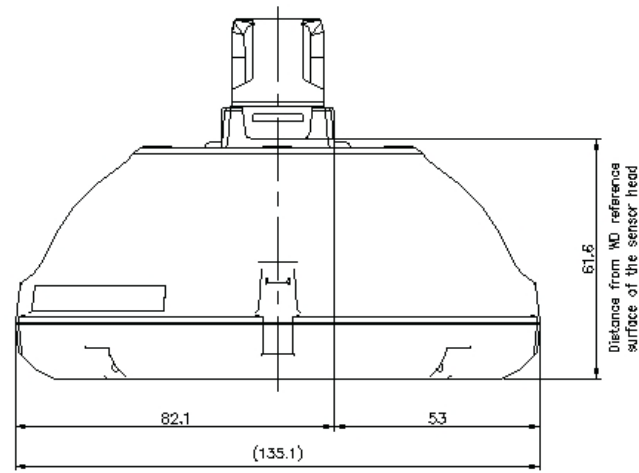
iv-g_hg_camera_gd05_op87909_dimension_01.gif

IV-G150MA/G300CA/G500CA/G500MA
 /G600MA/HG150MA/HG300CA/HG500CA
 /HG500MA/HG600MA/GD05/OP-87909

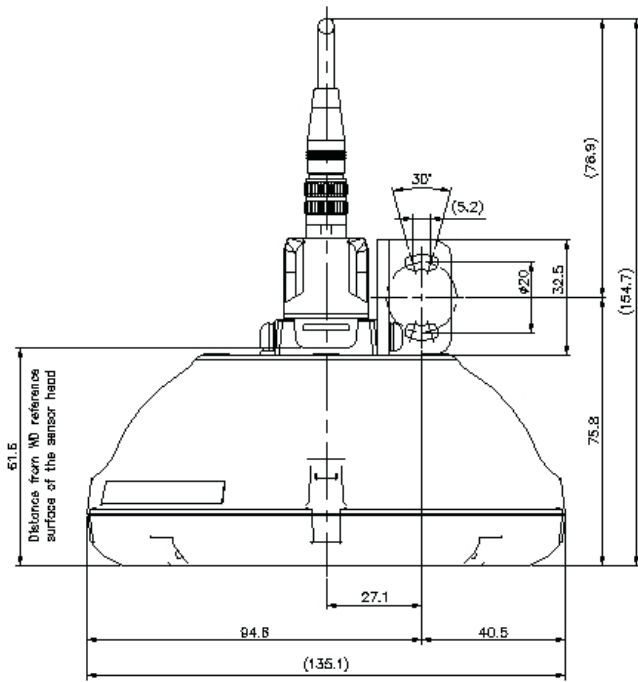


iv-g_hg_camera_gd10_dimension_01.gif

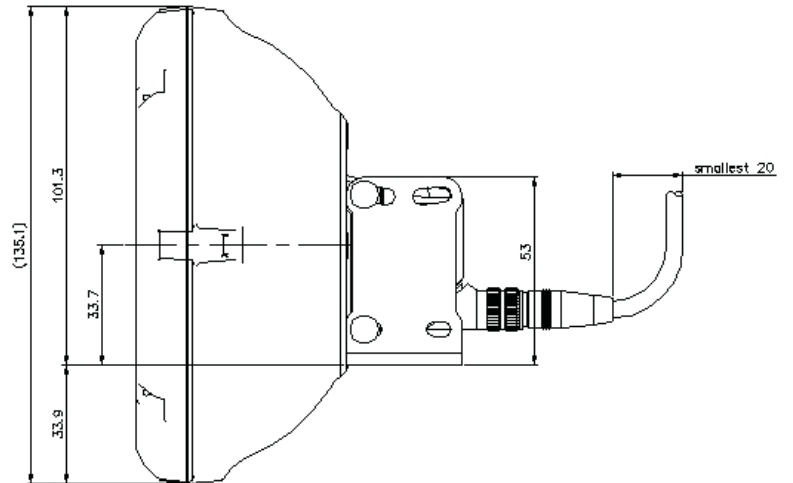
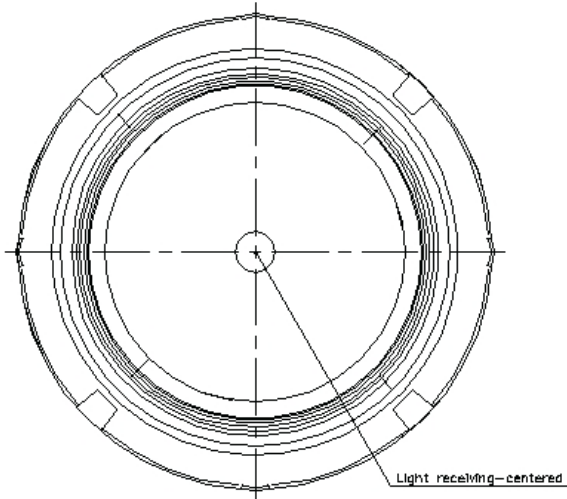
IV-G150MA/G300CA/G500CA/G500MA
 /G600MA/HG150MA/HG300CA/HG500CA
 /HG500MA/HG600MA/GD10



iv-g_hg_camera_gd10_op87908_dimension_01.gif

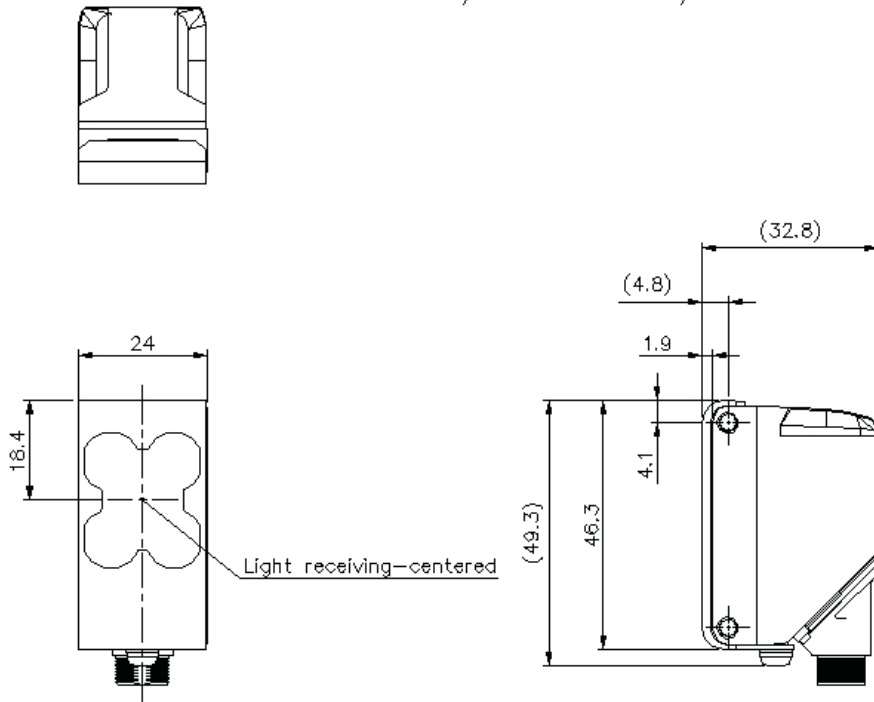


IV-G150MA/G300CA/G500CA/G500MA
 /G600MA/HG150MA/HG300CA/HG500CA
 /HG500MA/HG600MA/GD10/OP-87908



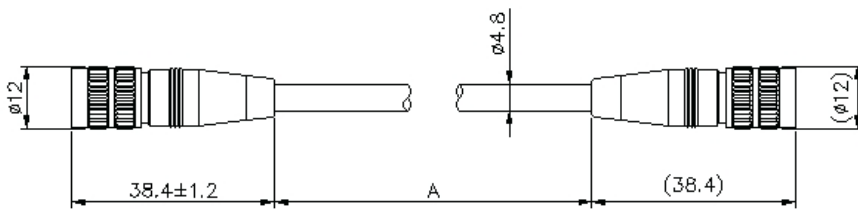
iv-g_hg_camera_op-87899-87901_dimension_01.gif

IV-G150MA/G300CA/G500CA/G500MA
 /G600MA/HG150MA/HG300CA/HG500CA
 /HG500MA/HG600MA/OP-87899/87900/87901



iv-g_hg_camera_op-87903-87905_dimension_01.gif

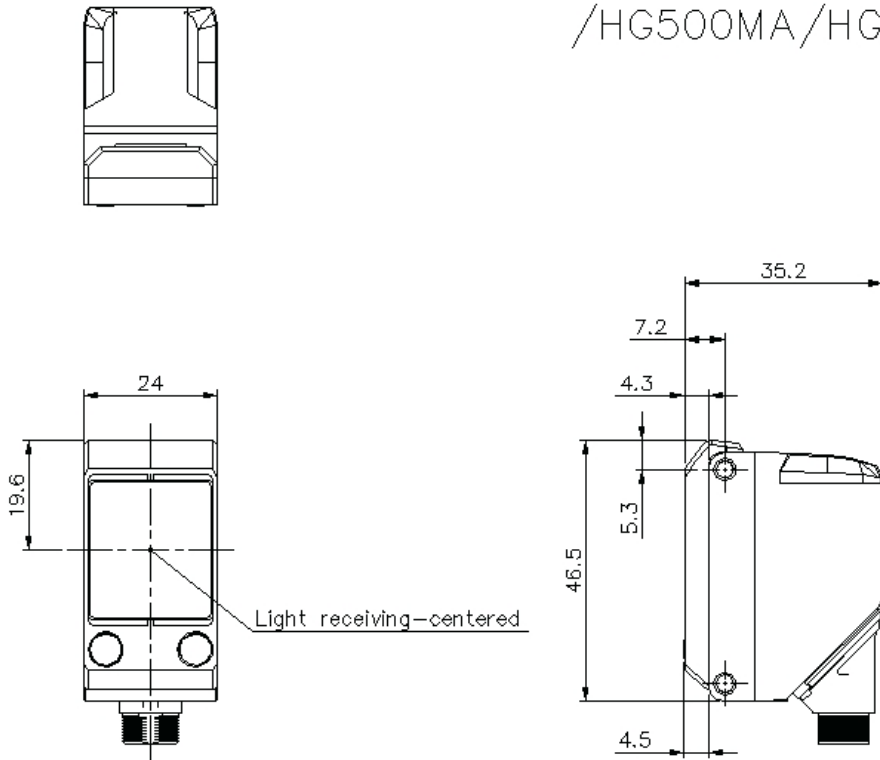
IV-G150MA/G300CA/G500CA/G500MA
 /G600MA/HG150MA/HG300CA/HG500CA
 /HG500MA/HG600MA/OP-87903/87904/87905



	A
OP-87903	2000
OP-87904	5000
OP-87905	10000

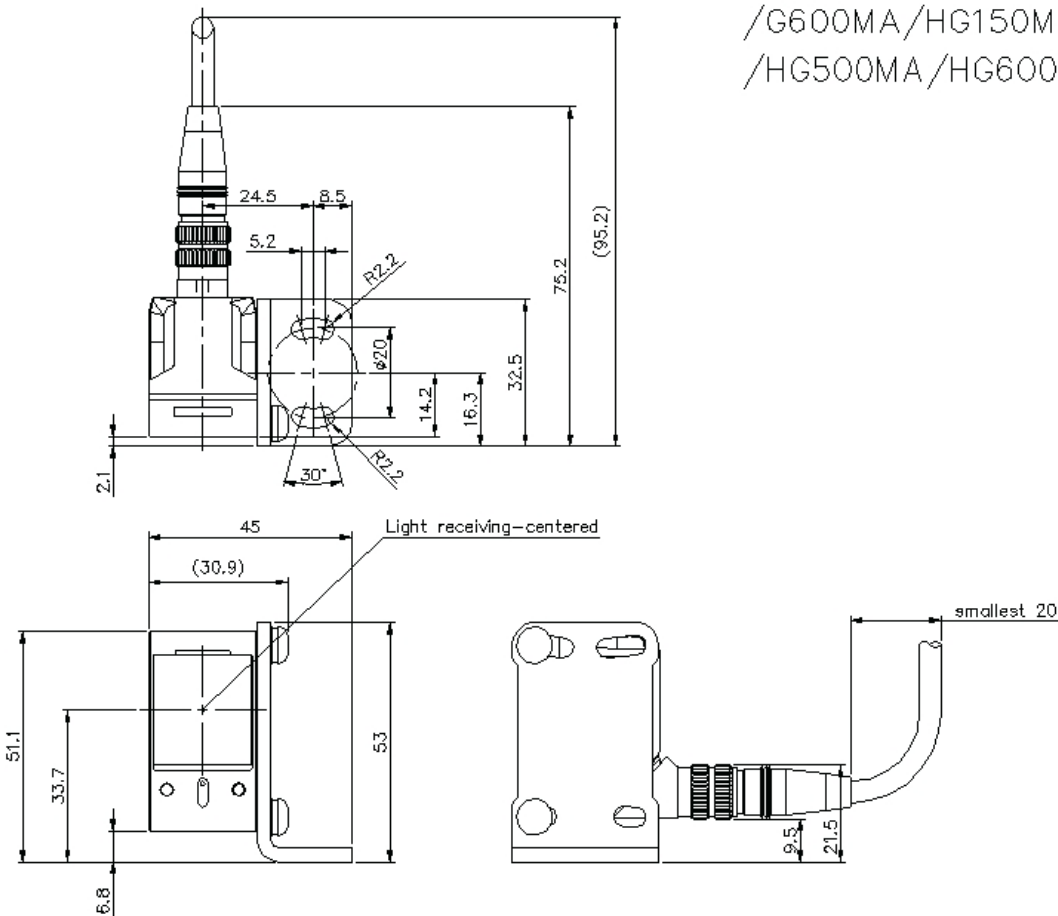
iv-g_hg_camera_op87902_dimension_01.gif

IV-G150MA/G300CA/G500CA/G500MA
 /G600MA/HG150MA/HG300CA/HG500CA
 /HG500MA/HG600MA/OP-87902

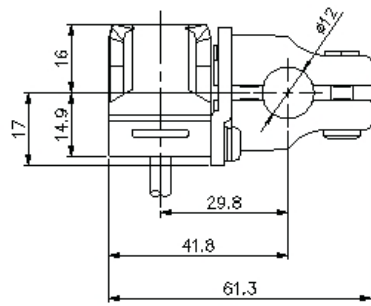


iv-g_hg_camera_op87908_dimension_01.gif

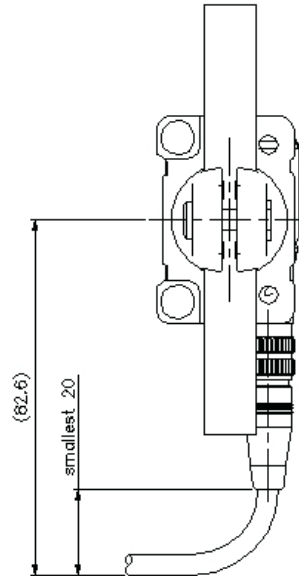
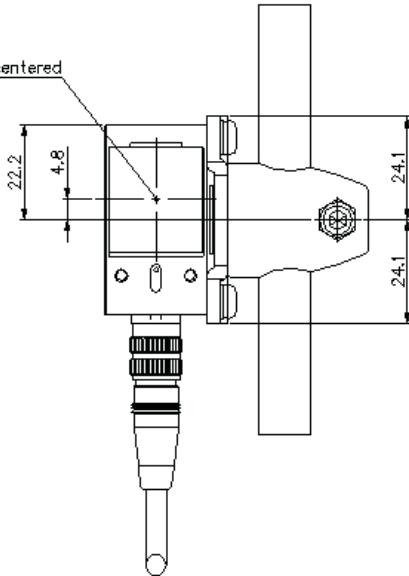
IV-G150MA/G300CA/G500CA/G500MA
 /G600MA/HG150MA/HG300CA/HG500CA
 /HG500MA/HG600MA/OP-87908



IV-G150MA/G300CA/G500CA/G500MA
 /G600MA/HG150MA/HG300CA/HG500CA
 /HG500MA/HG600MA/OP-87910



Light receiving-centered



A support pipe of $\phi 12$ is not included in OP-87910.