

N° :

Date : 7 févr. 2019

### SERVO MOTOR 190U3D300NAEA215320



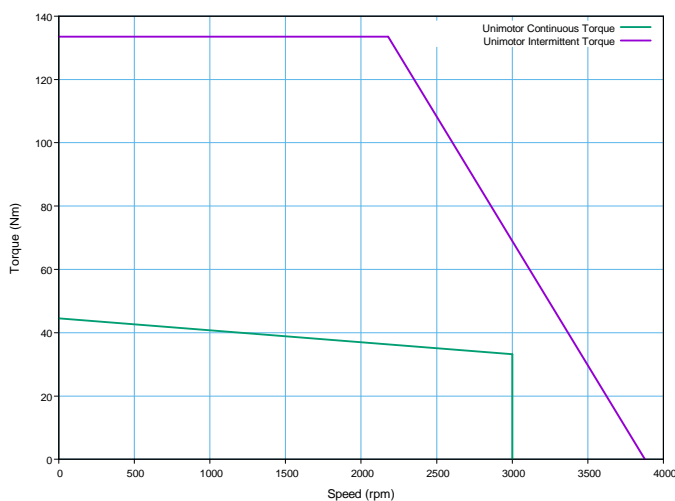
#### Definition

Type	<b>Unimotor FM</b>	
Frame Size (mm)	<b>190</b>	
Voltage	<b>U</b>	U - 400V
Magnet type	<b>3</b>	3 - Standard
Frame Length	<b>D</b>	
Speed (min-1)	<b>30</b>	3000
Brake	<b>0</b> Unbraked	
Connection type	<b>N</b> N - Power 90° rotatable and Signal vertical - Size 1.5	
Output shaft	<b>A</b>	Key
Feedback device code	<b>AE</b>	AE - Resolver (Size 52)
Inertia & thermistor	<b>A</b>	A - Standard
PCD	<b>215</b>	215 (FF 215 / 180)
Shaft Diameter	<b>320</b>	32k6 x 58,0 .
Fan box	<b>-</b>	
Classe d'isolation	<b>F</b>	
UL Motor / UL Stator	<b>UL Motor / UL Stator</b>	

#### Nominal characteristics

Motor Ambient Temperature (°C)	40	Drive Fsw (kHz)	12
Motor Stall Torque (N.m)	44,50	Stall Current (A)	27,80
Rated Torque (N.m)	33,20	Rated Current (A)	20,8
Motor Peak Torque (N.m)	133,50	I max (A)	83,44
Rated Power (kW)	10,43	Kt (Nm/A)	1,60
Winding Thermal Time Constant (s)	216	Ke (V/kmin-1)	98,00
Number of Poles	8	R (ph-ph) (Ohm)	0,22
Maximum Cogging (N.m)	0.54	L (ph-ph) (mH)	4,89
Inertia (kg.cm <sup>2</sup> )	86,80	Weight (kg)	28,30
Ingress Protection Level (IP)	IP65		

#### Torque / speed graph

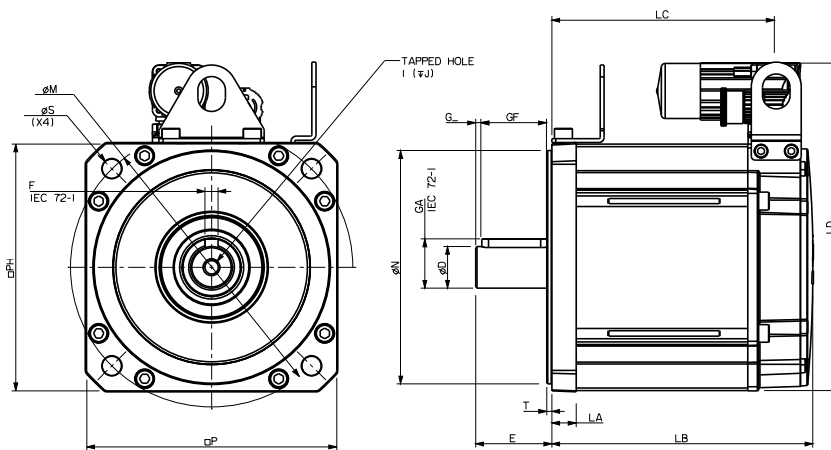


N° :

Date : 7 févr. 2019

**SERVO MOTOR 190U3D300NAEA215320 - Unimotor FM 190U3D300NAEA215320**

**Motor (° & mm)**

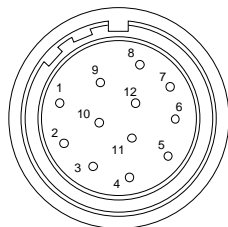


LB	Total length	289,40
LB1	length with hybrid box	239,30
LC	Power connector position	259,60
LJ	Hybrid box position	239,30
LA	Flange thickness	18,5
T	Register Length	3,9
N	Register Diameter	180,0
LD	Power connector overall height	252,50
LD1	Signal connector overall height	213,80
P	Flange Square	190,3
S	Fixing Hole Diameter	14,5
M	Fixing hole PCD	215
PH	Motor Housing Width	190
D	Shaft Diameter	32k6
E	Shaft Length	58,0
GA	Key Height	35,0
GF	Key Length	50,0
G	Key to Shaft End	4,6
F	Key Width	10
I	Tapped Hole Thread Size	M12x1,75
J	Tapped Hole Depth	29,0
	Mounting Bolt	M12

**Motor electrical interface**

Feedback device code : AE - Resolver (Size 52)

Connection type : N - Power 90° rotatable and Signal vertical - Size 1.5  
 Section des fils : 4G6 (D)



- 1 - Excit
- 2 - Excit/
- 3 - COS
- 4 - COS/
- 5 - SIN
- 6 - SIN/
- 7 - CTP
- 8 - CTP
- 9 - -
- 10 - -
- 11 - -
- 12 - -
- 13 - -
- 14 - -
- 15 - -
- 16 - -
- 17 - -
- Screen

