

# MONO - Microtrak and Plastitrak

Cable carriers with simple designs for standard applications\*

- Cost-effective cable carrier
- Simple and quick assembly
- Almost all types available immediately ex stock all around the world
- TÜV design approved in accordance with 2PFG 1036/10.97



NOTE:

**UNIFLEX Advanced**  
replaces **MONO Plastitrak 0450/0625**

- + improved design
- + more cost effective
- > See page 04.03

Mounting brackets  
with integrated strain relief



Chain links made of plastic

Inside space is gentle on the cables – no interfering edges

Types with non-opening single-part chain links

Types with openable cross-bars



Micro small types for use in space restricted applications



Quick and easy shortening/lengthening of the system thanks to simple connection of the chain links



Different mounting options by simply changing the position of the brackets

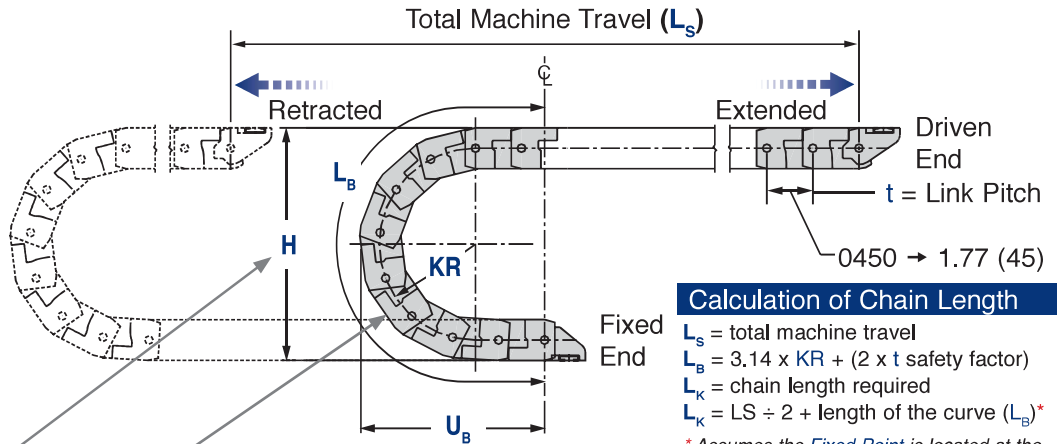
\* Features may be different for certain types for design reasons. Our specialists are happy to advise you.



## GENERAL DATA

<b>E</b>	<b>CONOMIC</b>
<b>V</b>	<b>ALUE</b>
<b>A</b>	<b>DDED</b>
<b>3</b>	
<p>A product group's EVA score is a general indicator that allows a customer to quickly and easily compare a product group's basic price, features, capabilities and value relative to other comparably sized products within the KS product range.</p>	
<p>Download 3D CAD files, videos, updated product info &amp; much more at:  <a href="http://www.kabelschlepp.com/plastitrak.htm">www.kabelschlepp.com/plastitrak.htm</a></p>	

Dimensions in inches (mm)



### Calculation of Chain Length

- $L_s$  = total machine travel
- $L_b$  =  $3.14 \times KR + (2 \times t \text{ safety factor})$
- $L_k$  = chain length required
- $L_k = L_s \div 2 + \text{length of the curve } (L_b)^*$

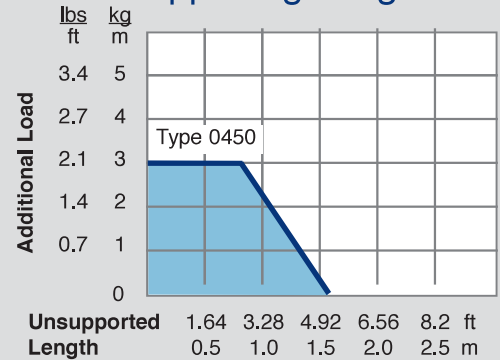
\* Assumes the Fixed Point is located at the Center of the Total Machine Travel.

## Technical Data

Series	Mounting Height <b>H</b>	Bend Radius <b>KR</b>	Depot <b>U<sub>B</sub></b>	Loop Length <b>L<sub>B</sub></b>
<b>Non-Opening Links</b>				
Option A non-opening	5.43 (138)	2.05 (52)	4.49 (114)	10.00 (254)
Option B non-opening	8.74 (222)	3.70 (94)	6.14 (156)	15.20 (386)
Option C non-opening	11.18 (284)	4.92 (125)	7.36 (187)	19.02 (483)
Option D non-opening	13.15 (334)	5.91 (150)	8.35 (212)	22.13 (562)
<b>Snap-Open Links</b>				
Option E snap-open	5.67 (144)	2.05 (52)	4.61 (117)	10.00 (254)
Option F snap-open	8.98 (228)	3.70 (94)	6.26 (159)	15.20 (386)
Option G snap-open	11.42 (290)	4.92 (125)	7.48 (190)	19.02 (483)
Option H snap-open	13.39 (340)	5.91 (150)	8.46 (215)	22.13 (562)
Option I* snap-open	17.32 (440)	7.87 (200)	10.43 (265)	28.31 (719)



### Self-Supporting Lengths



### Extended Travel:

When application travel exceeds the self-supporting length of the carrier, PLASTITRAK carrier systems are designed to glide on themselves in a guide channel.



For more information on extended travel systems, see pages 02.27 - 02.36.



**KS RECOMMENDATION:**  
 Replace MONO PLASTITRAK 0450 with UNIFLEX Advanced

- + improved design
- + more cost effective
- > see page 04.03

Number of Systems Req. x Carrier Type + Frame Stay Width + Bend Radius x # of Links Length + Type & Position Brackets + Dividers (#vert / #horz)

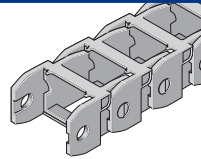
**15 x 0450 + 60 KR 125 x 82 Links + FA/MA + 3v/0h**

### Series 0450 Non-Opening Link - available widths



**KS RECOMMENDATION:**  
Replace MONO PLASTITRAK 0450 with UNIFLEX Advanced

- + improved design
- + more cost effective
- > see page 04.03

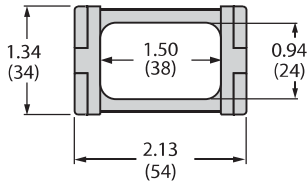


links do not open



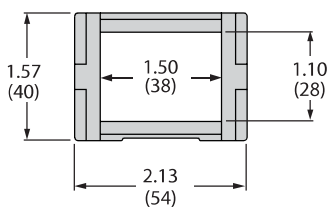
#### 0450.20

Chain Weight:  
0.44 lbs/ft  
(0.65 kg/m)



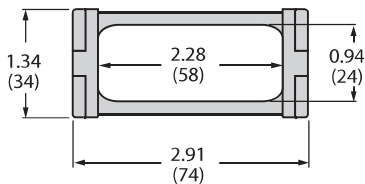
#### 0450.22

Chain Weight:  
0.50 lbs/ft  
(0.75 kg/m)



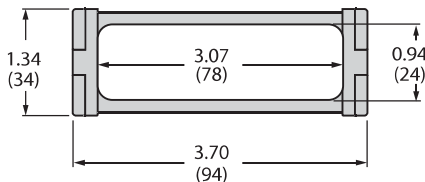
#### 0450.40

Chain Weight:  
0.52 lbs/ft  
(0.78 kg/m)



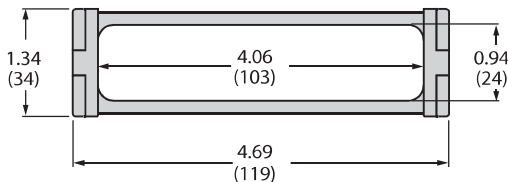
#### 0450.60

Chain Weight:  
0.62 lbs/ft  
(0.92 kg/m)



#### 0450.85

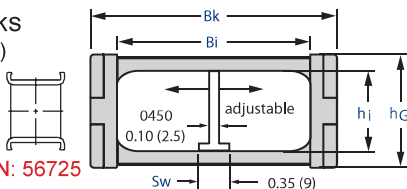
Chain Weight:  
0.80 lbs/ft  
(1.20 kg/m)



### Optional Dividers for Non-Opening links (.10,.20,.40,.60 widths)

Divider position is adjustable

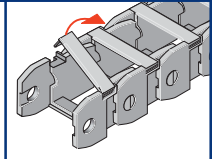
PN: 56725



#### Note:

For drawings and dimensions of available Mounting Bracket options see pages 05.18 - 05.21.

### Series 0450 Snap-Open Link - available widths

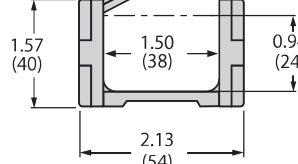


links snap-open on outside diameter



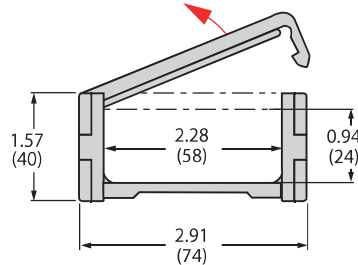
#### 0450.21

Chain Weight:  
0.40 lbs/ft  
(0.75 kg/m)



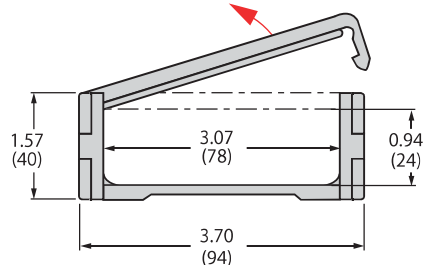
#### 0450.41

Chain Weight:  
0.57 lbs/ft  
(0.85 kg/m)



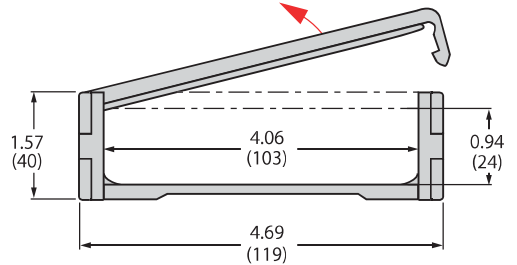
#### 0450.61

Chain Weight:  
0.62 lbs/ft  
(0.92 kg/m)



#### 0450.81

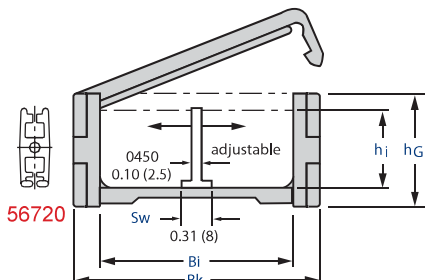
Chain Weight:  
0.80 lbs/ft  
(1.20 kg/m)



### Optional Dividers for Snap-Open links

Divider position is adjustable

PN: 56720





## Series 0450 Standard Mounting Brackets (without strain relief)

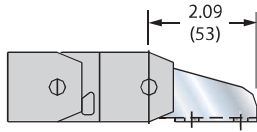
Standard 4 Piece Metal Mounting Brackets for **Non-Opening** Style Links (.10/.20/.40/.60/.85)

BASIC-LINE

05 MONO - PILASTITRAK

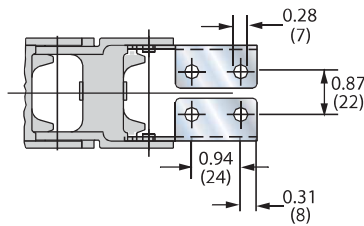
### Fixed End Bracket - with pin

Note: brackets can be positioned with feet facing inward (standard) or outward

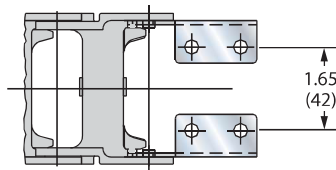


Fixed End Bracket consists of 2 pcs

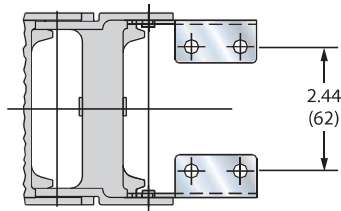
**0450.20**  
PNs: 55708  
55709



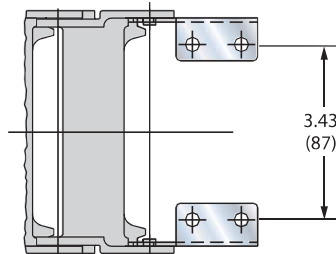
**0450.40**  
PNs: 55708  
55709



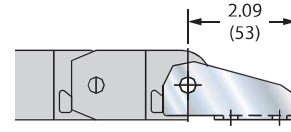
**0450.60**  
PNs: 55708  
55709



**0450.85**  
PNs: 55708  
55709

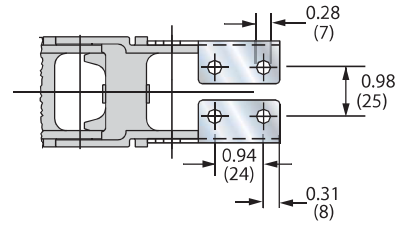


### Moving End Bracket - with hole

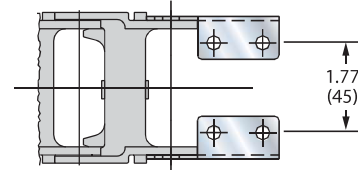


Moving End Bracket consists of 2 pcs

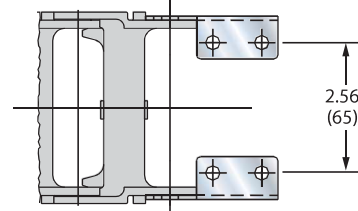
**0450.20**  
PNs: 55706  
55707



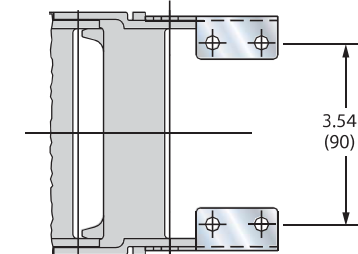
**0450.40**  
PNs: 55706  
55707



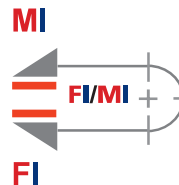
**0450.60**  
PNs: 55706  
55707



**0450.85**  
PNs: 55706  
55707



Fixed End Bracket



**M** = Moving End  
**F** = Fixed End  
**A** = O.D. Mount  
**I** = I.D. Mount  
**—** = Mounting Surface

Moving End Bracket



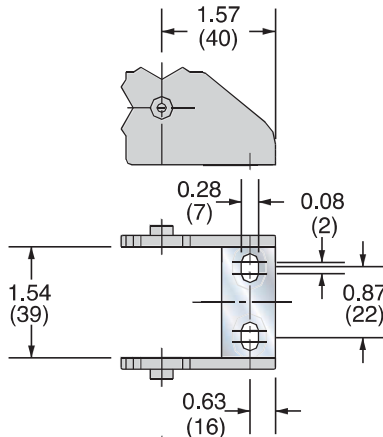
Series

# 0450 Standard Mounting Brackets (without strain relief)

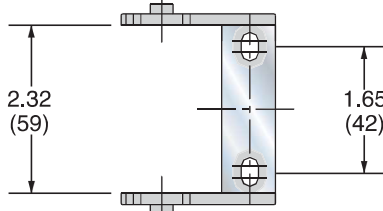
Standard Nylon/Metal Mounting Brackets for **Snap-Open** Style Links (.21/.22/.41/.61/.81)

## Fixed End Bracket - with pin

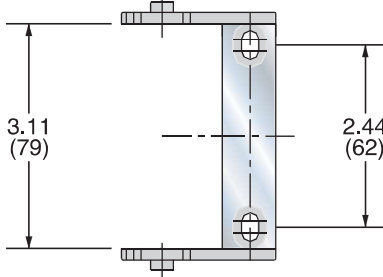
**0450.21/22**  
PN: 57900



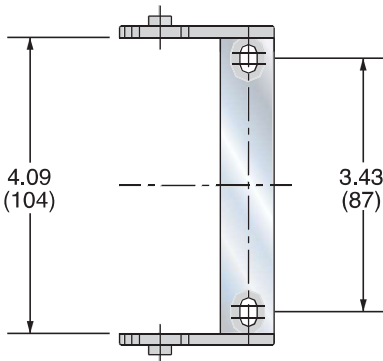
**0450.41**  
PN: 57969



**0450.61**  
PN: 57994

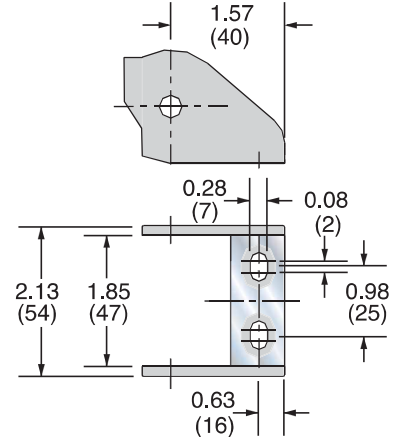


**0450.81**  
PN: 58131

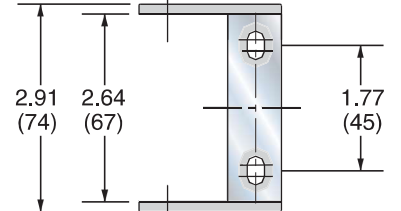


## Moving End Bracket - with hole

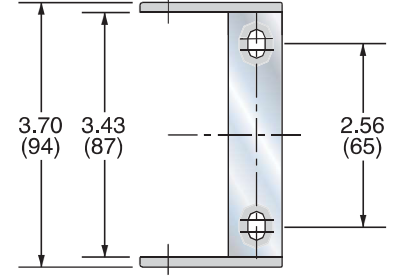
**0450.21/22**  
PN: 57890



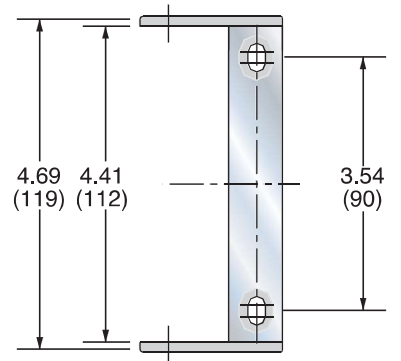
**0450.41**  
PN: 57968



**0450.61**  
PN: 57993



**0450.81**  
PN: 58130



Fixed End Bracket



Moving End Bracket



- M** = Moving End
- F** = Fixed End
- A** = O.D. Mount
- I** = I.D. Mount
- = Mounting Surface

BASIC-LINE

MONO - PLASTITRAK  
**05**



Series

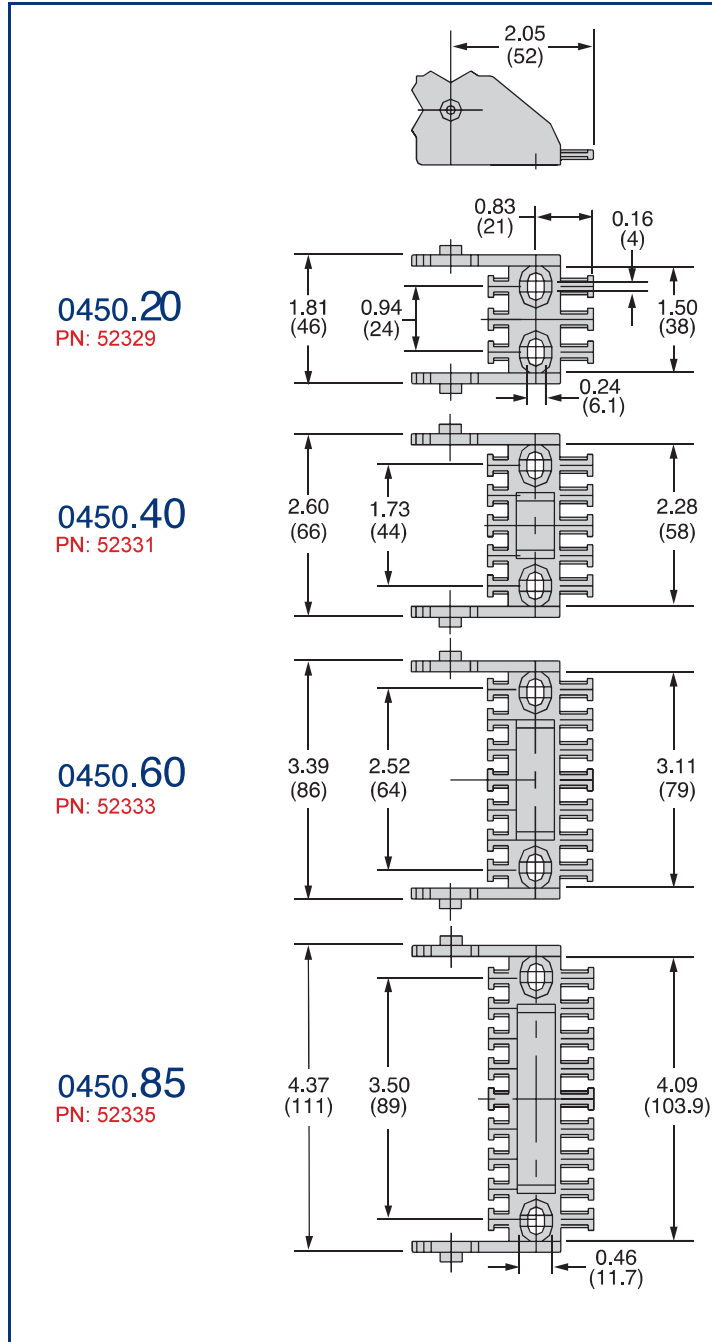
## 0450 Strain Relief Mounting Brackets

Integral Strain Relief Nylon Mounting Brackets for **Non-Opening** Style Links (.20/.40/.60/.85)

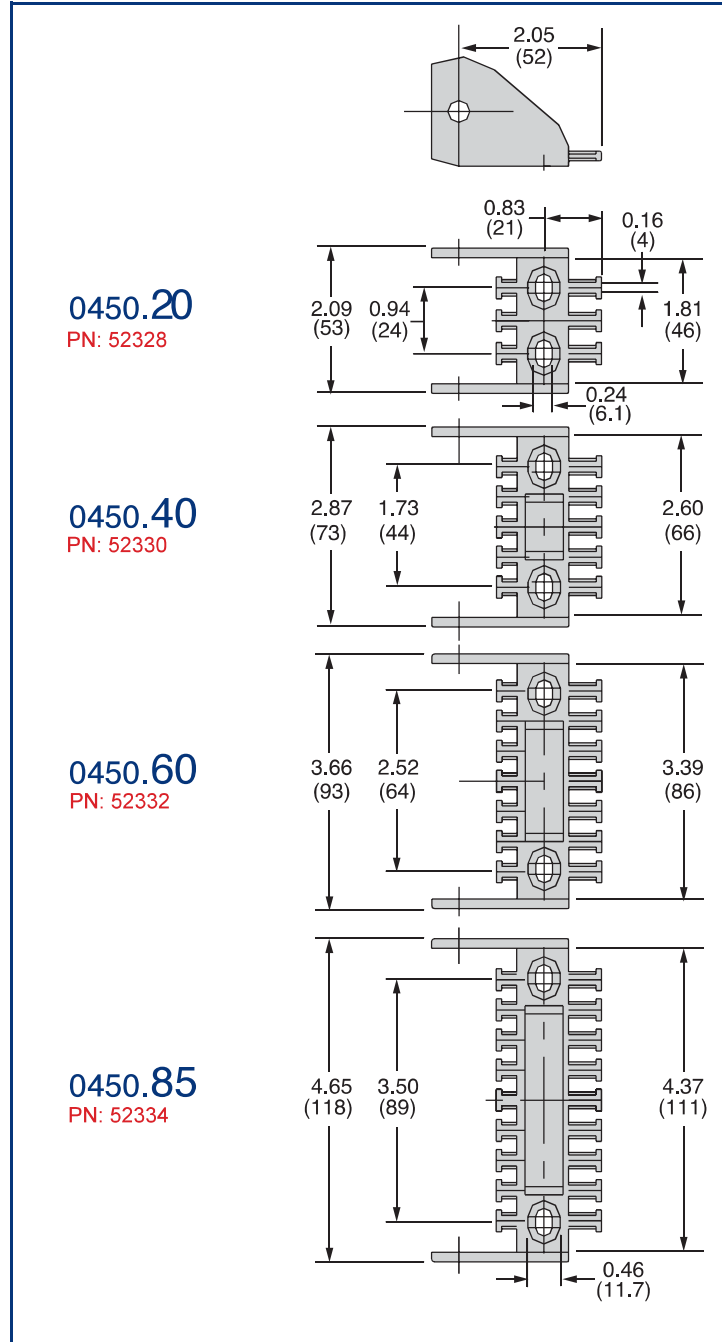
BASIC-LINE

MONO - PILASTITRAK  
05

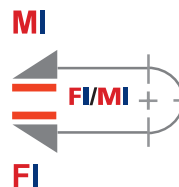
### Fixed End Bracket - with pin



### Moving End Bracket - with hole



Fixed End Bracket



- M** = Moving End
- F** = Fixed End
- A** = O.D. Mount
- I** = I.D. Mount
- = Mounting Surface

Moving End Bracket



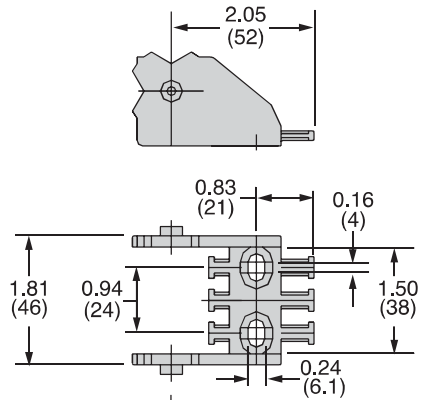
Series  
**0450 Strain Relief Mounting Brackets**

Integral Strain Relief Nylon Mounting Brackets for **Snap-Open** Style Links (.21/.22/.41/.61/.81)

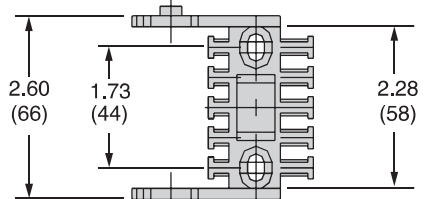
**Fixed End Bracket - with pin**

**Moving End Bracket - with hole**

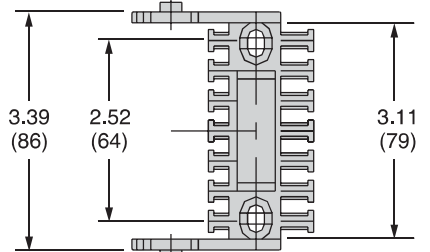
**0450.21**  
PN: 52337



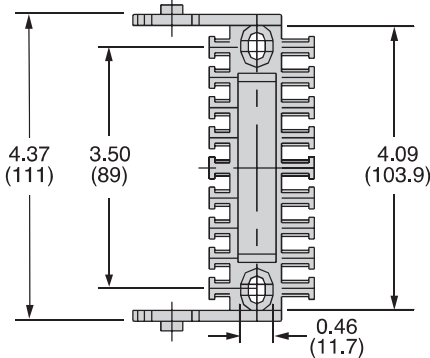
**0450.41**  
PN: 52339



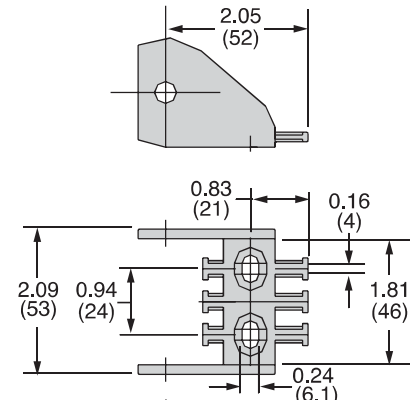
**0450.61**  
PN: 52341



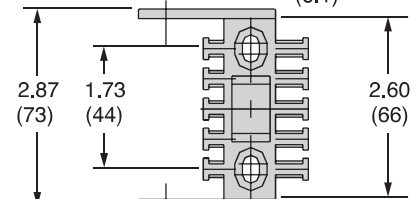
**0450.81**  
PN: 52343



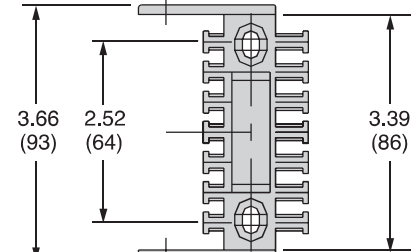
**0450.21**  
PN: 52336



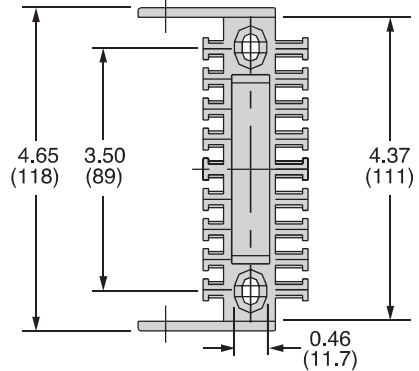
**0450.41**  
PN: 52338



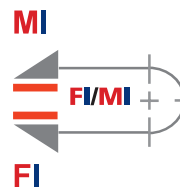
**0450.61**  
PN: 52340



**0450.81**  
PN: 52342



Fixed End Bracket



- M** = Moving End
- F** = Fixed End
- A** = O.D. Mount
- I** = I.D. Mount
- = Mounting Surface

Moving End Bracket



BASIC-LINE

MONO - PLASTITRAK  
**05**