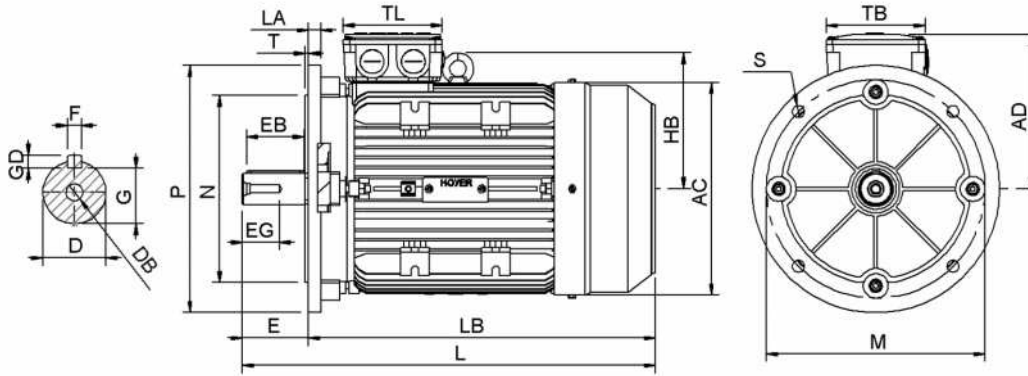


# Data Sheet

Itemnumber....: 5541001209



AC = 198	DB = M10	EG = 28	GD = 7	LA = 14	N = 180	T = 4
AD = 147	E = 60	F = 8	H = 100	LB = 346	P = 250	TB = 100
D = 28	EB = 50	G = 24	L = 406	M = 215	S = 4-Ø14,5	TL = 100

**Version**  
 Type.....: HMA3 100L2-4  
 Design.....: Induction motor  
 Standard series.....: IEC 60034  
 Phase / Voltage range.....: 3~ / Low

**Electrical design**  
 Efficiency.....: IE3  
 Pole.....: 4  
 Power at 50 Hz (kW).....: 3,00  
 Hz.....: 50  
 Voltage.....: 230VD/400VY  
 Winding voltage.....: 230VD/400VY 50 Hz  
 Power output (kW).....: 3,00  
 Duty.....: S1  
 Insulation class.....: F  
 Temperature rise.....: B

**Motor protection**  
 Thermal protection main....: PTC 3x 155 dgr  
 Thermal protection second..: None  
 Space heater.....: None  
 Temperature detector.....: No  
 SPM.....: No  
 IR wire.....: No  
 Tropical insulation.....: No

**Explosion protection**  
 According to.....: None  
 Type of protection.....: None

**General**  
 Direction of rotation.....: CW  
 Painting.....: RAL 9005 Gloss 3  
 Nameplate.....: Multivoltage  
 Special packing.....: No  
 Special requirements.....: No

**Mechanical design**  
 Frame size.....: 100  
 Mounting.....: B5  
 Rain cap.....: No  
 Protection class.....: IP55  
 Cooling method.....: IC411/TEFC  
 External grounding.....: Yes  
 Drain hole.....: Yes  
 Frame material.....: Aluminium  
 Material approval.....: None  
 Shaft.....: IEC standard  
 Key.....: Closed key  
 Balancing.....: Half key balancing  
 Vibration class.....: Grade-A  
 Weight (kg).....: 30,0

**Environment condition**  
 Ambient temp. min. (°C)..: -20  
 Ambient temp. max. (°C)..: 40  
 Altitude (mtr up to).....: 1000

**Bearing**  
 DE Bearing.....: 6206-ZZ/C3  
 NDE Bearing.....: 6206-ZZ/C3  
 Fixed bearing.....: DE

**Terminal box**  
 Tbox position.....: Top  
 Cable entry direction.....: Right (from DE)  
 Cable entry  
     Main.....: 2 x M20x1,5  
                     Plastic blindcaps  
     Accessory.....: 1 x M20x1,5  
                     Plastic blindcap  
 Connection type.....: Star (Y)  
 Terminal board thread.....: 6-M4

**Test values**  
 Rotor inertia (kgm²).....: 0,012  
 Noise level (dB(A)).....: 56  
 No load current (A).....: 3,35  
 Winding resist. (ohm).....: 0,40  
 Starting time (sec.).....: 0,03  
 Temp. rise winding (K).....: 59  
 Temp. rise surface (K).....: 41

Rated power (kW) . . . . .	3,00	2,90	3,60	3,50
Frequency (Hz) . . . . .	50	50	60	60
Voltage (V) . . . . .	230 400	220 380	280 480	440
Connection . . . . .	D Y	D Y	D Y	Y
Full load current (A) . . . .	10,8 6,20	11,0 6,40	10,8 6,20	6,40
Speed (rpm) . . . . .	1460	1460	1750	1750
Power factor cos(phi) . . . .	0,80	0,81	0,80	0,82
Efficiency, 100/75/50 (%) . .	87,7/87,9/86,4	87,7/87,9/86,4	87,7/87,9/86,4	86,8/87,0/85,4
Ist/In . . . . .	9,05	7,95	9,05	8,30
Full load torque (Nm) . . . .	19,6	19,0	19,6	19,0
Tst/Tn . . . . .	3,50	3,25	3,50	3,05
Tmax/Tn . . . . .	3,80	3,55	3,80	3,30
Duty . . . . .	S1	S1	S1	S1
Ambient temp. (°C) . . . . .	40	45	40	45