



AFTER SALES
PRODUCT CATALOGUE
2015 - 2016

HOW TO USE THE CATALOGUE

SUMMARY LIST OF UPGRADED COMPONENTS

GENERAL

.....
1. **EVAC VACUUM TOILETS**
.....

2. **VACUUM INTERFACE VALVES**
.....

3. **COLLECTING UNITS**
.....

4. **WASTE TREATMENT SOLUTIONS**
.....

5. **STANDARD GREASE SEPARATORS**
.....

6. **OTHER PRODUCTS**
.....

TECHNICAL SERVICES

PIPE OPERATION AND MAINTENANCE

EVAC COMPANIES

HOW TO USE THE CATALOGUE - QUICK HELP

BROWSING DOCUMENTS

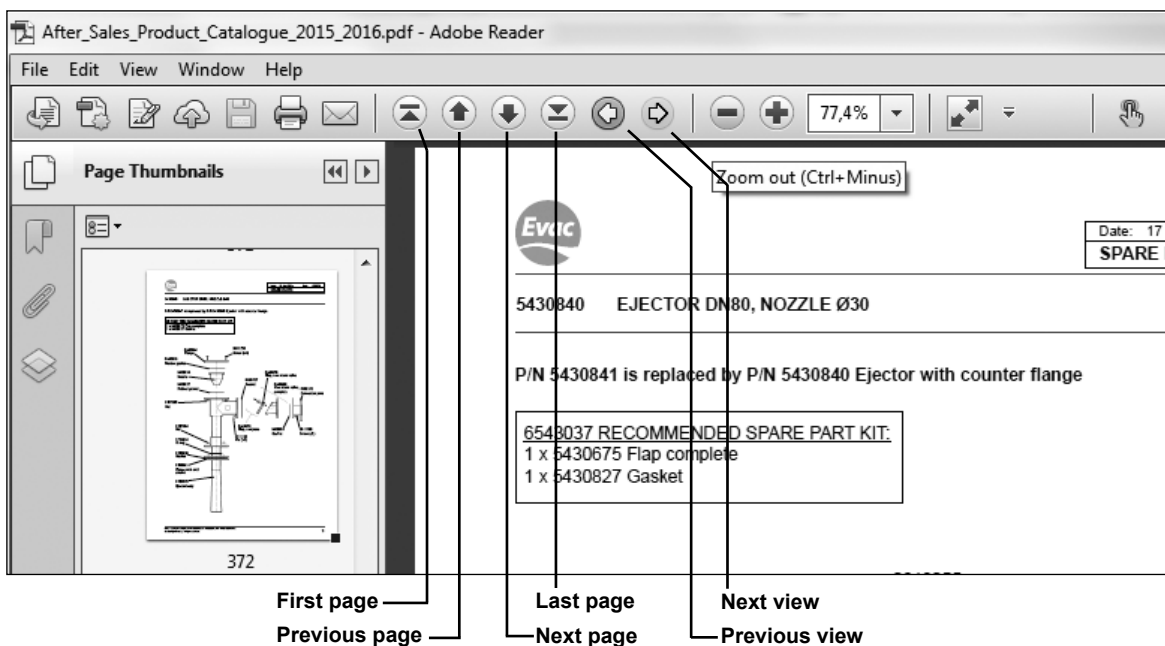
LINKS TO DOCUMENTS

PRINTING DOCUMENTS

BROWSING DOCUMENTS

You can browse the catalogue in several different ways.

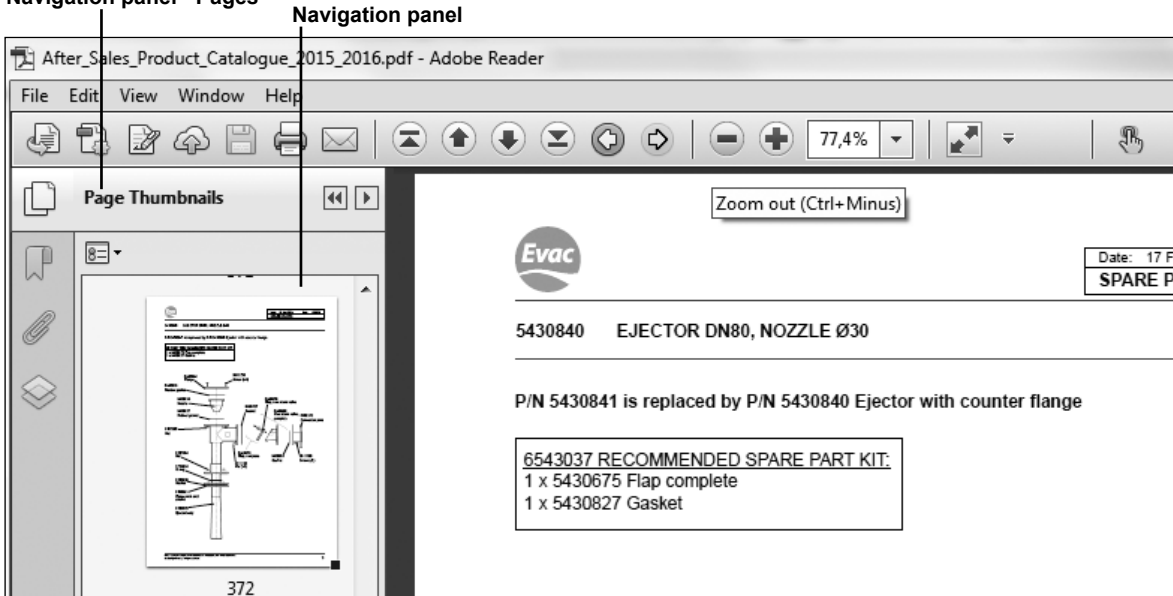
- By using the browser buttons on the command bar.



- or with the "Pages" and "Bookmarks" tabs, which are located in the Navigation panel on the left.

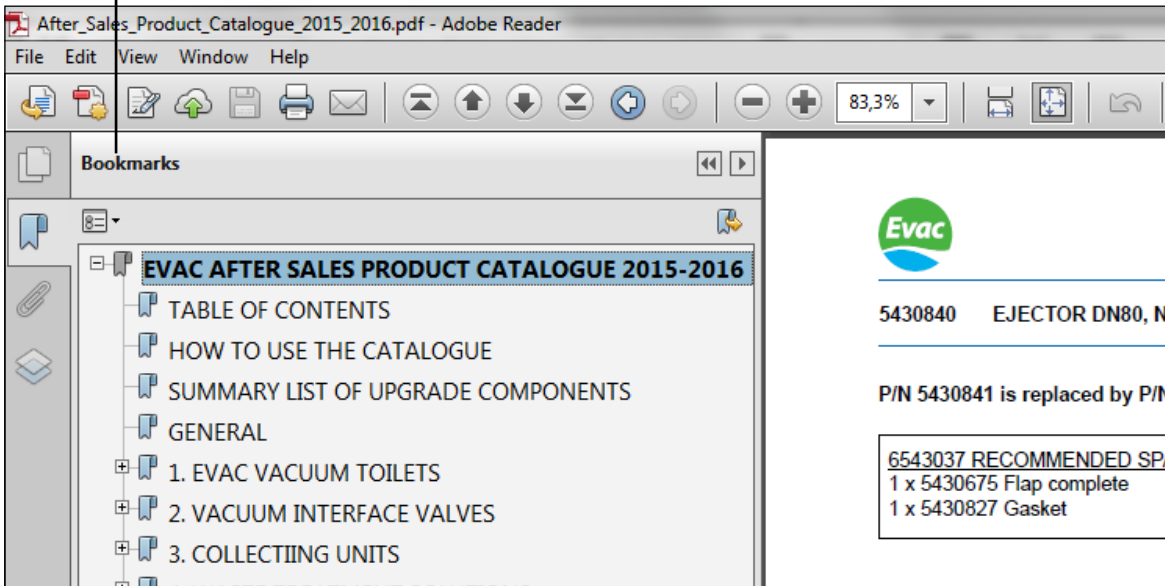
Show / hide

Navigation panel - Pages



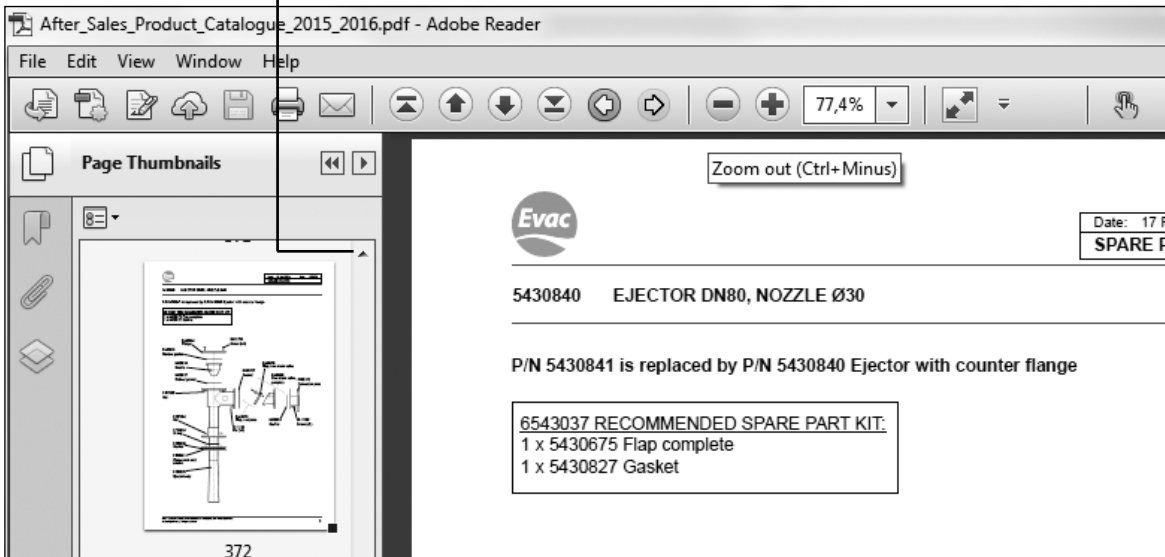
HOW TO USE THE CATALOGUE - QUICK HELP

Show / hide
Navigation panel - Bookmarks




- with the scroll bars.

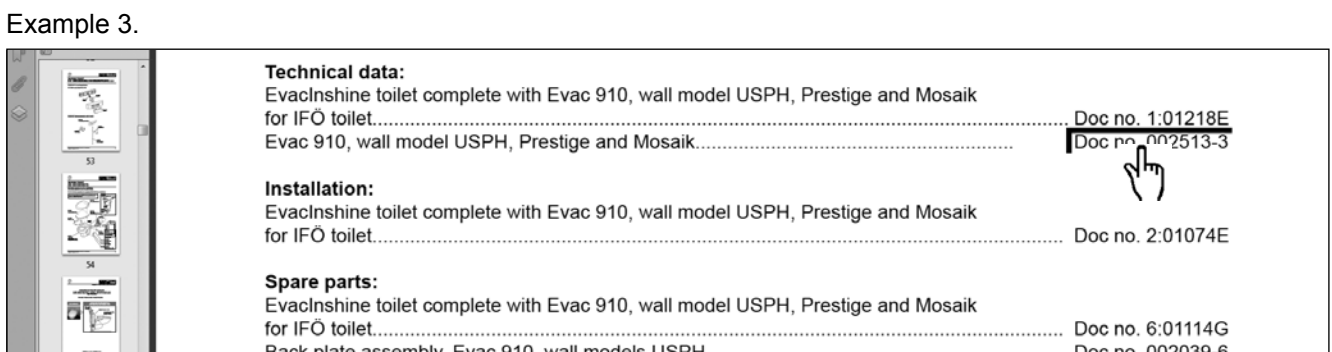
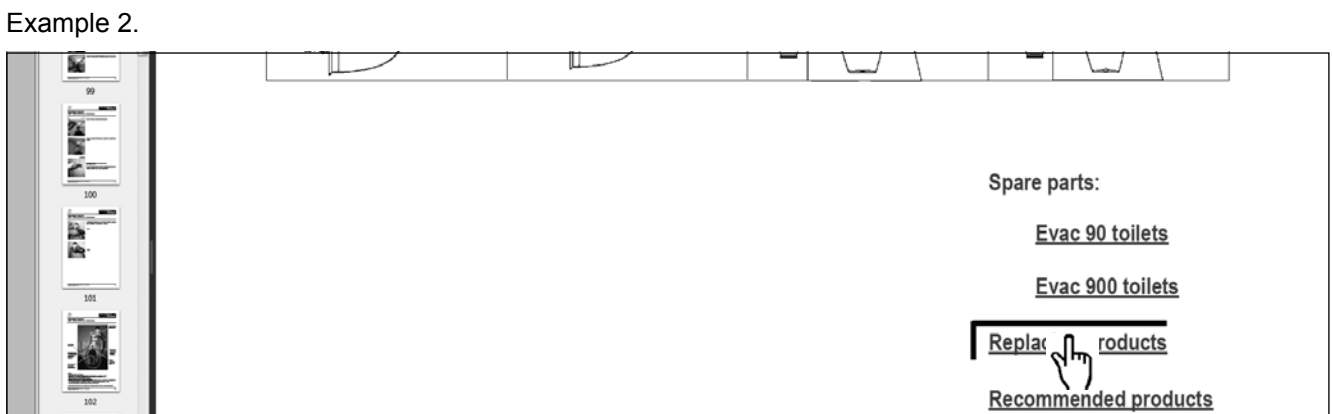
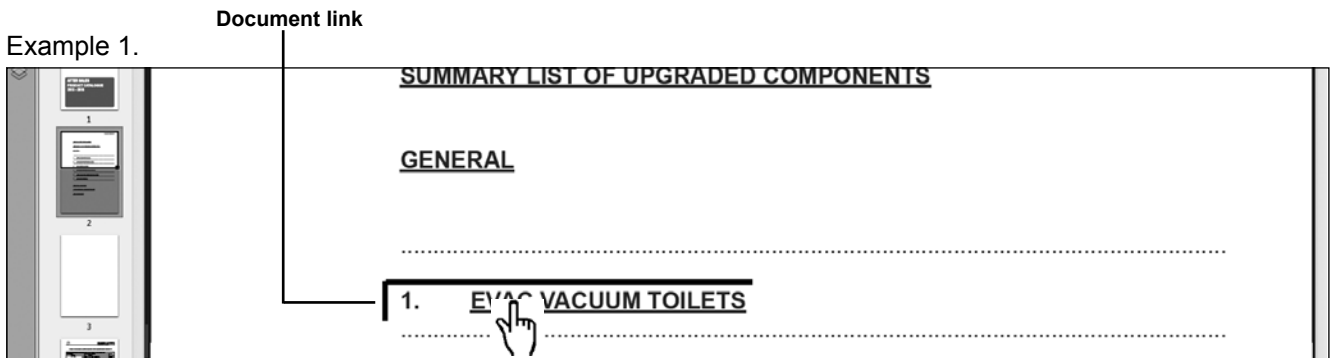
Scroll bar



HOW TO USE THE CATALOGUE - QUICK HELP

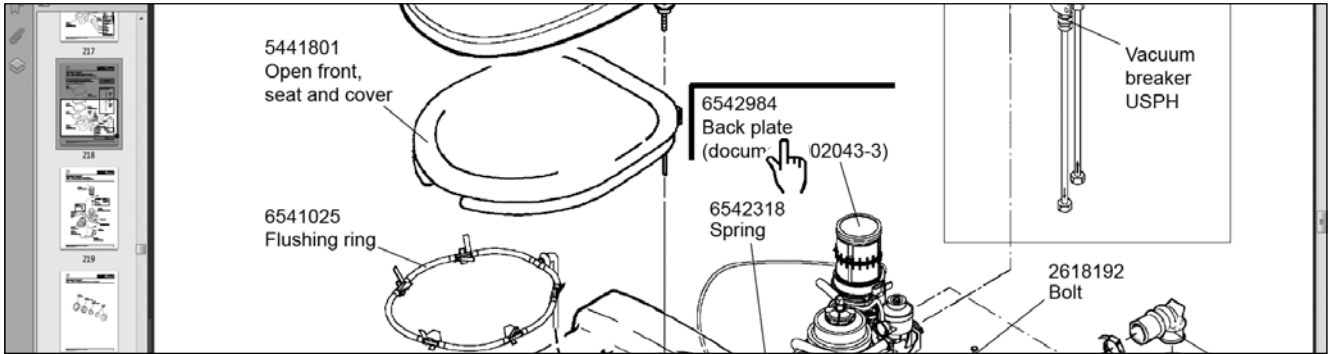
LINKS TO DOCUMENTS

Document links are navigational elements, which provide easy access to different parts of the catalogue. Document links can be identified by the change from the standard cursor to a picture of a hand ().

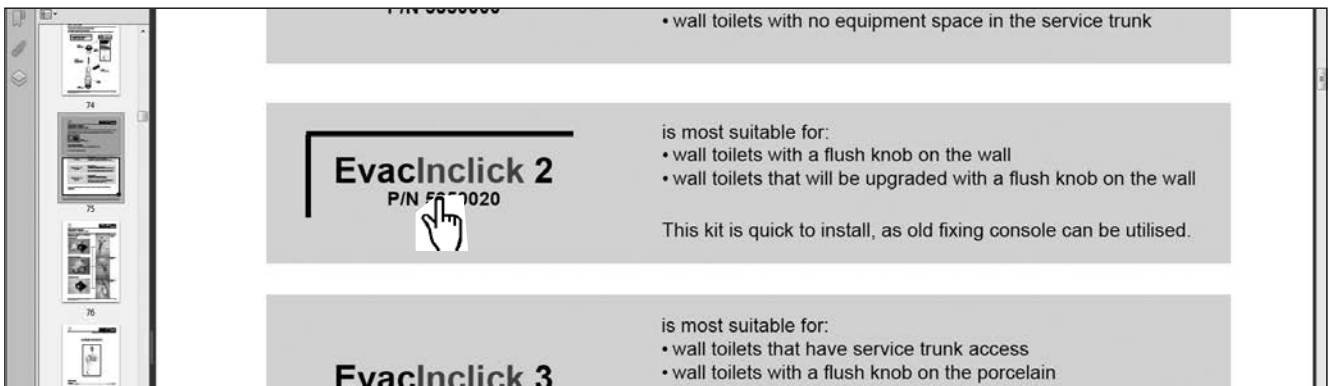


HOW TO USE THE CATALOGUE - QUICK HELP

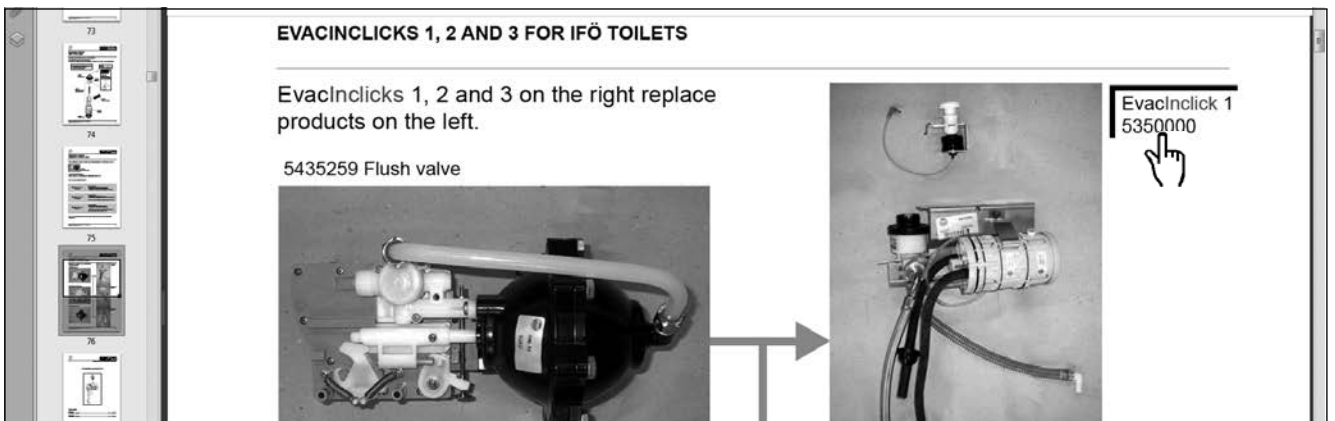
Example 4.



Example 5.



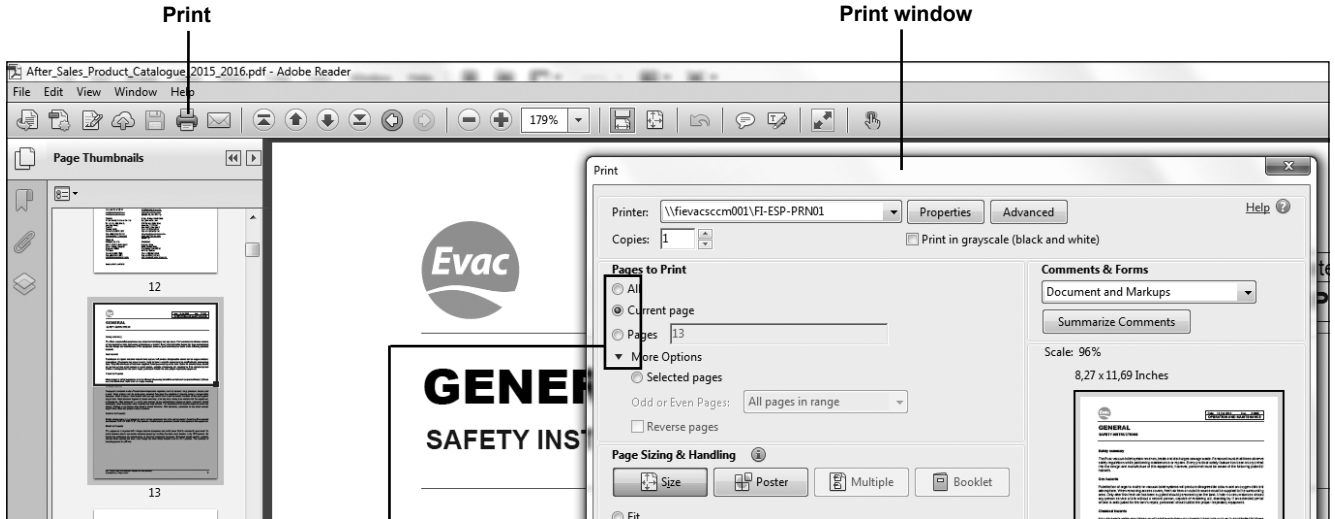
Example 6.



HOW TO USE THE CATALOGUE - QUICK HELP

PRINTING DOCUMENTS

You can print documents by using the print command.



The Print window allows you to edit printing related settings.

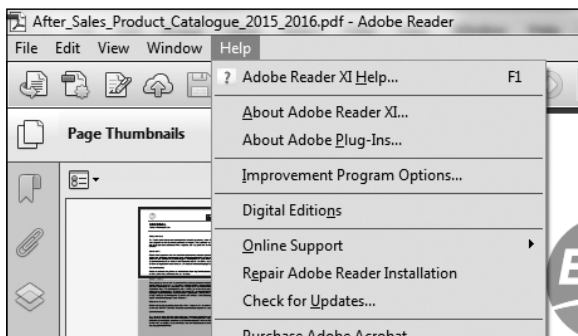
In case you need to print specific pages of the catalogue, under "Print Range" select "Pages" and type the desired page numbers in the adjacent box. For example to print pages 1, 10, 13 and 14 type "1,10,13,14". To print pages 16 to 34 type "16-34".

To print the page you are currently viewing select "Current page".

The page you are currently viewing and the total number of pages are shown in the toolbar of Adobe Reader.



For further information concerning Adobe Acrobat refer to the "Help" tab.



EVAC UPGRADE COMPONENTS FOR CUSTOMER BENEFIT

REPLACING PRODUCTS FOR ELECTROLUX-TYPE TOILETS (1987 AND EARLIER)				
OLD PRODUCTS		NEW REPLACING PRODUCTS		LINK TO DOCUMENT
PRODUCT		P/N	PRODUCT	
Floor models	▶	6545825	Evac 910, floor model toilet, Star	002266-7
	▶	6545826	Evac 910, floor model toilet, Trevi	002266-7
Wall models	▶	6543418	Evac 910, wall model toilets, Prestige	002035-5
	▶	6543419	Evac 910, wall model toilets, Mosaik	002035-5

REPLACING PRODUCTS FOR IFÖ-TYPE TOILETS (1992 AND EARLIER)				
OLD PRODUCTS		NEW REPLACING PRODUCTS		LINK TO DOCUMENT
P/N	PRODUCT	P/N	PRODUCT	
43251	Toilet IFÖ Wall Combi	▶ 6542545	EvacInshine toilet complete with Evac 910, wall model, Mosaik seat	6:01113H
43256	Toilet IFÖ Wall Combi	▶ 6542545	EvacInshine toilet complete with Evac 910, wall model, Mosaik seat	6:01113H
43257	Toilet IFÖ Wall Kandre	▶ 6542544	EvacInshine toilet complete with Evac 910, wall model, Prestige seat	6:01113H
43258	Toilet IFÖ Wall Kandre	▶ 6542544	EvacInshine toilet complete with Evac 910, wall model, Prestige seat	6:01113H
43261	Toilet IFÖ Floor Combi	▶ 6545826	Vacuum toilet, Evac 910, floor model, Trevi	002266-7
43263	Toilet IFÖ Floor Kandre	▶ 6545825	Vacuum toilet, Evac 910, floor model, Star	002266-7
43347.1	Flushing ring	▶ 5860160	Hi-efficiency flushing ring for Evac IFÖ vacuum toilets	9:00024C
43456.2	Outlet pipe	▶ 6541056	Outlet pipe	
43501.3	Discharge valve	▶ 5435014	Discharge valve	6:110G
43525.9	Flush valve	▶ 5350000	EvacInclick 1, flush control unit for IFÖ toilets	6:01117E
		▶ 5350020	EvacInclick 2, flush control unit for IFÖ toilets	6:01118F
		▶ 6542341	EvacInclick 3, flush control unit for IFÖ toilets	6:01102G
43526.0	Membrane box	▶ 5350000	EvacInclick 1, flush control unit for IFÖ toilets	6:01117E
		▶ 5350020	EvacInclick 2, flush control unit for IFÖ toilets	6:01118F
		▶ 6542341	EvacInclick 3, flush control unit for IFÖ toilets	6:01102G
43526.5	Flush valve housing	▶ 5350000	EvacInclick 1, flush control unit for IFÖ toilets	6:01117E
		▶ 5350020	EvacInclick 2, flush control unit for IFÖ toilets	6:01118F
		▶ 6542341	EvacInclick 3, flush control unit for IFÖ toilets	6:01102G
5325101	Toilet IFÖ Wall Combi	▶ 6542545	EvacInshine toilet complete with Evac 910, wall model, Mosaik seat	6:01113H
5325601	Toilet IFO Wall Combi	▶ 6542545	EvacInshine toilet complete with Evac 910, wall model, Mosaik seat	6:01113H
5325701	Toilet IFÖ Wall Kandre	▶ 6542544	EvacInshine toilet complete with Evac 910, wall model, Prestige seat	6:01113H
5325801	Toilet IFÖ Wall Kandre	▶ 6542544	EvacInshine toilet complete with Evac 910, wall model, Prestige seat	6:01113H
5326101	Toilet IFÖ Floor Combi	▶ 6545826	Vacuum toilet, Evac 910, floor model, Trevi seat	002266-7
5326301	Toilet IFÖ Floor Kandre	▶ 6545825	Vacuum toilet, Evac 910, floor model, Star seat	002266-7
5428601	Toilet bowl IFÖ with flushing ring	▶ 6545826	Vacuum toilet, Evac 910, floor model, Trevi seat	002266-7
5345101	Toilet IFÖ Wall Combi, USPH	▶ 6542547	EvacInshine toilet complete with Evac 910, wall model, USPH, Mosaik seat	6:01114G



OLD PRODUCTS		NEW REPLACING PRODUCTS		LINK TO DOCUMENT
P/N	PRODUCT	P/N	PRODUCT	
5345701	Toilet IFÖ wall Kandre, USPH	▶ 6542546	EvacInshine toilet complete with Evac 910, wall model, USPH, Star seat	6:01114G
5433471	Flushing ring	▶ 5860160	Hi-efficiency flushing ring for Evac IFÖ vacuum toilets	9:00024C
5435013	Discharge valve	▶ 5435014	Discharge valve	6:110G
5435259	Flush valve	▶ 5350000	EvacInclick 1, flush control unit for IFÖ toilets	6:01117E
		▶ 5350020	EvacInclick 2, flush control unit for IFÖ toilets	6:01118F
		▶ 6542341	EvacInclick 3, flush control unit for IFÖ toilets	6:01102G
5435261	Membrane box	▶ 5350000	EvacInclick 1, flush control unit for IFÖ toilets	6:01117E
		▶ 5350020	EvacInclick 2, flush control unit for IFÖ toilets	6:01118F
		▶ 6542341	EvacInclick 3, flush control unit for IFÖ toilets	6:01102G
5435265	Flush valve housing	▶ 5350000	EvacInclick 1, flush control unit for IFÖ toilets	6:01117E
		▶ 5350020	EvacInclick 2, flush control unit for IFÖ toilets	6:01118F
		▶ 6542341	EvacInclick 3, flush control unit for IFÖ toilets	6:01102G
5443401	Seat and cover	▶ 6546906	Seat and cover, Moon	002577-3

REPLACING PRODUCTS FOR EVAC 90 AND 900 TOILETS				
OLD PRODUCTS		NEW REPLACING PRODUCTS		LINK TO DOCUMENT
P/N	PRODUCT	P/N	PRODUCT	
43347.1	Flushing ring	▶ 5860180	Hi-efficiency flushing ring for Evac 90 vacuum toilets	9:00026C
43456.2	Outlet pipe	▶ 6541056	Outlet pipe	
5433471	Flushing ring	▶ 5860180	Hi-efficiency flushing ring for Evac 90 vacuum toilets	9:00026C
5445001	Plastic hinge	▶ 6541241	Stainless steel hinge, Evac 90/900 vacuum toilets	9:00025C
5434562	Outlet pipe	▶ 6541056	Outlet pipe	
5446101	Seat and cover, Silent, plastic hinges	▶ 6551551	Evac Star, seat and cover	002976-3
5779210	Discharge valve	▶ 6544801	EvacInflux silent valve	002161-4
5800000	Back plate	▶ 5780000	Back plate assembly, Evac 90 vacuum toilets	6:143 i
5959901	Mini-check valve	▶ 5959902	Mini-check valve, Evac 90 vacuum toilets	6:140G
6540941	Seat and cover, Silent	▶ 6546818	Prestige, EvacInhush, silent seat and cover for Evac 90, 900 wall models	002510-5
6542928	Seat and cover, Prestige			
6542958	EvacInflux 1	▶ 6544801	EvacInflux silent valve	002161-4

REPLACING PRODUCTS FOR VACUUM INTERFACE VALVES				
OLD PRODUCTS		NEW REPLACING PRODUCTS		LINK TO DOCUMENT
P/N	PRODUCTS	P/N	PRODUCT	
5438500	Vacuum interface unit, model 319	! NOTE: Installation measures are different as in old products		
		▶ 6545873	Vacuum interface unit 5 L, connection downwards	002365-4
		▶ 6543469	Vacuum interface unit 2 L, connection side/downwards	002225-4
5438836	Control valve complete	▶ 6542618	Retrofit kit 319 for Vacuum interface unit 319	6:01115C
5573102	Blue activator	▶ 6542151	Retrofit kit 319 for Blue activator	6:01116E
5575000	Ventilator complete	▶ 6540524	Ventilator complete	6:01077D
5575001	Ventilator complete	▶ 6540524	Ventilator complete	6:01077D

OLD PRODUCTS		NEW REPLACING PRODUCTS		
P/N	PRODUCTS	! NOTE: Installation measures are different as in old products		LINK TO DOCUMENT
P/N	PRODUCTS	P/N	PRODUCT	
5979500	Vacuum interface unit 10 L downwards	▶ 6545873	Vacuum interface unit 5 L, connection downwards	002365-4
		▶ 6543469	Vacuum interface unit 2 L, connection side/downwards (plastic tank)	002225-4
5979600	Vacuum interface unit 10 L upwards	▶ 6545872	Vacuum interface unit 5 L, connection upwards	002366-5
		▶ 6543521	Vacuum interface unit 2 L, connection upwards (plastic tank)	002224-6
5980914	Vacuum interface unit 5 L down/horizontal	▶ 6545873	Vacuum interface unit 5 L, connection downwards	002365-4
		▶ 6543469	Vacuum interface unit 2 L, connection side/downwards (plastic tank)	002225-4
5981000	Vacuum interface unit 5 L upwards	▶ 6545872	Vacuum interface unit 5 L, connection upwards	002366-5
		▶ 6543521	Vacuum interface unit 2 L, connection upwards (plastic tank)	002224-6
6540539	Vacuum interface unit 7 L upwards	▶ 6545872	Vacuum interface unit 5 L, connection upwards	002366-5
6540837	Vacuum interface unit 7 L downwards	▶ 6545873	Vacuum interface unit 5 L, connection downwards	002365-4
6542601	Vacuum interface unit 10 L downwards	▶ 6545873	Vacuum interface unit 5 L, connection downwards	002365-4
		▶ 6543469	Vacuum interface unit 2 L, connection side/downwards (plastic tank)	002225-4
6542586	Vacuum interface unit 10 L upwards	▶ 6545872	Vacuum interface unit 5 L, connection upwards	002366-5
		▶ 6543521	Vacuum interface unit 2 L, connection upwards (plastic tank)	002224-6
6541672	Vacuum interface unit 7 L downwards	▶ 6545873	Vacuum interface unit 5 L, connection downwards	002365-4
		▶ 6543469	Vacuum interface unit 2 L, connection side/downwards (plastic tank)	002225-4
6541673	Vacuum interface unit 7 L upwards	▶ 6545872	Vacuum interface unit 5 L, connection upwards	002366-5
		▶ 6543521	Vacuum interface unit 2 L, connection upwards (plastic tank)	002224-6
6543139	Vacuum interface unit for gravity toilet	▶ 6548640	Vacuum interface unit for gravity toilet	002526-3

REPLACING PRODUCTS FOR COLLECTING UNITS, DN100				
OLD PRODUCTS		NEW REPLACING PRODUCTS		
P/N	PRODUCT	P/N	PRODUCT	LINK TO DOCUMENT
43058.0	Ejector DN100	▶ 5430578	Ejector DN100 with counter flange	6:301H
		▶ 5430893	Ejector DN100 with pipe bend	6:301H
43066.9	Non-return valve for ejector	▶ 5430668	Non-return valve for ejector	6:301H
45023.2	Discharge valve DN65 115 V	▶ 6540255	Motor valve DN65 115 V 60 Hz	6:311H
45023.4	Discharge valve DN65 220 V	▶ 6540215	Motor valve DN65 230 V 50/60 Hz	6:311H
5430580	Ejector DN100	▶ 5430578	Ejector DN100 with counter flange	6:301H
		▶ 5430893	Ejector DN100 with pipe bend	6:301H
5430669	Non-return valve for ejector	▶ 5430668	Non-return valve for ejector	6:301H
5437622	Vacuum gauge	▶ 6542553	Vacuum gauge upgrade kit	1:01192C
5450232	Discharge valve DN65 115 V	▶ 6540255	Motor valve DN65 115 V 60 Hz	6:311H
5450234	Discharge valve DN65 220 V	▶ 6540215	Motor valve DN65 230 V 50/60 Hz	6:311H



OLD PRODUCTS		NEW REPLACING PRODUCTS		LINK TO DOCUMENT
P/N	PRODUCT	P/N	PRODUCT	
5451808	Pump Evac Bloc 100-210 50 Hz	▶ 6540369	Pump Evac SE 044A 50 Hz	6:01037J
5451819	Pump Evac Bloc 100-210 60 Hz	▶ 6540370	Pump Evac SE 044A 60 Hz	6:01037J
5490925	Intermediate lantern for Pump 50 Hz	▶ 6540369	Pump Evac SE 044A 50 Hz	6:01037J
5490925	Intermediate lantern for Pump 60 Hz	▶ 6540370	Pump Evac SE 044A 60 Hz	6:01037J
! Note: Pump 7.5 QSH / 50 Hz (6543085) and pump 7.5 QSH / 60 Hz (6543084) are fully interchangeable with above pumps but give 30% more capacity.				9:00067F

REPLACING PRODUCTS FOR COLLECTING UNITS, DN80				
OLD PRODUCTS		NEW REPLACING PRODUCTS		LINK TO DOCUMENT
P/N	PRODUCT	P/N	PRODUCT	
45023.2	Discharge valve DN65 115 V	▶ 6540255	Motor valve DN65 115 V 60 Hz	6:311H
45023.4	Discharge valve DN65 220 V	▶ 6540215	Motor valve DN65 230 V 50/60 Hz	6:311H
5430841	Ejector DN80	▶ 5430840	Ejector DN80	6:302H
5450232	Discharge valve DN65 115 V	▶ 6540255	Motor valve DN65 115 V 60 Hz	6:311H
5430234	Discharge valve DN65 220 V	▶ 6540215	Motor valve DN65 230 V 50/60 Hz	6:311H

REPLACING PRODUCTS FOR EVAC ONLINEMAX				
OLD PRODUCTS		NEW REPLACING PRODUCTS		LINK TO DOCUMENT
P/N	PRODUCT	P/N	PRODUCT	
6543774	Evac Online pump F60	▶ 6546545	Sewage pump FX60 retrofit kit	002528-2

REPLACING PRODUCTS FOR COLLECTING UNITS, FU40 AND FU40/2				
OLD PRODUCTS		NEW REPLACING PRODUCTS		LINK TO DOCUMENT
P/N	PRODUCT	P/N	PRODUCT	
5610901	Solenoid valve	▶ 5610921	Solenoid valve	
5610925	3-way valve PVC	▶ 6541022	3-way ball valve AISI 316	

REPLACING PRODUCTS FOR SEWAGE TREATMENT PLANTS				
OLD PRODUCTS		NEW REPLACING PRODUCTS		LINK TO DOCUMENT
P/N	PRODUCT	P/N	PRODUCT	
70301001	Air blower V11Y	▶ 6542813	Air blower V12Y + Motor protector	9:00081D

EVAC OY
Tel.: +358 20 763 0200
Fax: +358 20 763 0222
E-mail: evac.spareparts@evac.com / evac.technicalsupport@evac.com
www.evac.com

GENERAL

CUSTOMER SUPPORT

EVAC COMPANIES AND MARINE REPRESENTATIVES WORDWIDE

SAFETY INSTRUCTIONS



CUSTOMER SUPPORT

DEAR CUSTOMER,

Passenger convenience and satisfaction are increasingly important matters, especially on cruise ships. All passenger and crew-related equipment should operate 24 hours a day with high reliability and minimal maintenance.

With proactive support, the Evac After Sales team can help operators to find the best products and services to ensure customer satisfaction.

What can Evac offer?

- Kit for reduced toilet flushing sound with silencer
- Better bowl flushing and cleaning using an efficient flushing ring
- Improved toilet operation reliability and reduced maintenance with Evac 910 toilet types
- Genuine, certified spare parts
- Improved bathroom appearance and hygiene with Evac upgrading components:
 - EvacInshine toilets
 - Soft Closing Seats
 - EvacInflux discharge valve kits
 - EvacInclick flush control units
 - Autoflush for Evac vacuum toilets
 - Washlet seats
- Increased vacuum capacity and energy saving by collection units / Evac OnlineMax
- Sophisticated automation systems available
- Recommendations for pipe cleaning chemicals and services
- Recommendations for optimal system operation
- Technical support for system selection and capacity calculations
- Recommended spare part packages

CONTACT INFORMATION:

- Evac Oy (Finland), tel. +358 20 763 0200 (switchboard), fax. +358 20 763 0222
- Spare parts inquiries, e-mail: evac.spareparts@evac.com
- Technical support, e-mail: evac.technicalsupport@evac.com
- Local Evac representative contact information available at www.evac.com

Evac Oy
Spare Parts Operations
Vesa Peltola
vesa.peltola@evac.com



EVAC COMPANIES AND MARINE REPRESENTATIVES WORLDWIDE

1

EVAC Companies

Finland

Evac Oy (Marine Head Office)
Sinimäentie 14
FIN-02630 Espoo
Finland
Tel +358-20 7630 200
Fax +358-20 7630 222
evac.marine@evac.com
evac.spareparts@evac.com
www.evac.com

Brazil

Evac BVST
Alameda Campinas, 463
Jardim Paulista
01404-902
São Paulo / SP
Brazil
Tel +55 (11) 51 81 68 11
evac.buildingbr@evac.com

China, P.R.

Evac Vacuum Systems
(Shanghai) Co. Ltd
Unit F, 24th floor, JiuShi FuXing Mansion
No. 918 Huai Hai Road (M)
SHANGHAI 200020
People's Republic of China
Tel +86-21-6415 9580
Fax +86-21-6415 7550
info.evaccn@evac.com
evac.sparescn@evac.com

France

Evac E.U.R.L.
35/37 Avenue du Gros Chêne
Parc d'Activités des Bellevues
BP 50098, Eragny
F-95613 Cergy-Pontoise Cedex
France
Tel +33-1-3421 9988
Fax +33-1-3464 3900
Info.evacr@evac.com

Germany

Triton-Evac GmbH
Siemensstr. 53b
D-25462 Rellingen
Germany
Tel +49 4101 53450-0
Fax +49 4101 54350-60
triton@evac.com

Deerberg-Systems GmbH
Moltkestrasse 6a
D-26122 Oldenburg
Germany
Tel +49 441 97357-0
Fax +49 441 777337
evac.marine@evac.com

Korea

Evac Asia Branch Office
#1410, Centum IS Tower
1209, Jaesong-Dong, Haeudae-Gu
Pusan
Korea (612-050)
Tel +82 70 7445 5206
Fax +82 51 780 8025
jin.choi@evac.com
evac.spareskr@evac.com

Norway

Evac Norway AS.
Merdeveien 1
NO-3676 Notodden
Norway
Tel +47-350 29700
Fax +47-350 29701
evac.norway@evac.com

U.S.

Evac North America Inc.
1445 Huntwood Drive
Cherry Valley, IL 61016-9560
shirley.frederick@evac.com
Tel +1-815-639 7725
Fax +1-815-654 8306
evac.marineus@evac.com

Evac Marine Services
Suite 210 - Building 3
700 West Hillsboro Blvd.
Deerfield Beach, FL 33441 USA
Main Office: 1-954-719-6979
Bjorn Fossen direct Line:1-954-719-
6976, cell phone:1-954-482-1620
marineservices@evac.com

EVAC Marine Representatives

Argentina

Marine Logistics, S.A.
Avenue Alvarez Jonte 6469
1408 Buenos Aires
Argentina
Mr. Francisco Agolio
Tel +54-11-4644 4449
Fax +54-11-4642 2460
franciscoagolio@marinelogistics.com.ar
www.marinelogistics.com.ar

Australia

H.I. Fraser Pty Ltd
3/1 Bowen Street
O'Connor, WA 6163
Australia
Mr. Jeff McDonald
Tel +61-8-9314 7877
Fax+61-8-9314 5933
jeff@hifraser.com
www.hifraser.com

Bolivia

Maquinarias E Inversiones
Tecnicas S. A. (MITSA)
Avda Vicuna Mackenna
No. 882 – Renaca
Vina Del Mar, Chile
Mr. Eduardo De la Iglesia
Tel +56-32-2834 052
Fax +56-32-2833 692
evacequips@mitsachile.com
www.mitsachile.com

Bulgaria

Morgan Ltd.
29A, Michael Koloni Str.
9000 Varna
Emil Petrov
Tel +359 52 631 222, +359 52 615 709
Fax. +359 52 601 905
office@morganbg.com
www.morganbg.com

Canada

CTH Instruments Ltd.
10 Akerley Blvd. Suite 36
Dartmouth, Nova Scotia
Canada B3B 1J4
Mr. Stephen Gates
Tel +1-902-468-6832
Fax +1-902-468-6833
stephen@cthinst.com
www.cthinst.com
(New Brunswick, Newfoundland, Nova
Scotia, Prince Edward Islands)

Hassler & Associates
12408 Tanager Drive
Gig Harbor, WA 98332
Canada
Mr. Carl Hassler
Tel +1-253-851-3248
Fax +1-253-851-3249
carl_hassler@msn.com
(British Columbia)

EMAR Services
1690 D River Road, PO Box 281
Manotick, Ontario
Canada K4M 1A3
Mr. Steve Cant
Tel +1-613-692-1114
Fax+1-613-692-1342
scant@emarservice.com
www.emarservice.net
(Ontario, Quebec, Manitoba,
Saskatchewan)

Chile

Maquinarias E Inversiones
Tecnicas S.A. (MITSA)
Avda Vicuna Mackenna
No. 882 – Renaca
Vina Del Mar, Chile
Mr. Eduardo De la Iglesia



EVAC COMPANIES AND MARINE REPRESENTATIVES WORLDWIDE

2

Tel +56-32-2834052
Fax +56-32-2833692
evacequips@mitsachile.com
www.mitsachile.com

**Croatia, Slovenia, Macedonia,
Bosnia Herzegovina, Serbia,
Montenegro**
Nikica Baran
baran.nikica@gmail.com

Denmark
Max Sibbern A/S
Marielundvej 18
DK-2730 Herlev
Denmark
Tel +45-4450 0404
Fax +45-4450 0405
post@maxsibbern.dk
www.maxsibbern.dk

Egypt
Basco Engineering & Trading
20 Asma Fahmy St.
4th district-Heliopolis
CAIRO
Egypt
Tel +202 2290 6997
Fax +202 290 6774
info.egypt@basco-group.com

Ecuador
Maquinarias E Inversiones
Tecnicas S.A. (MITSA)
Avda Vicuna Mackenna
No. 882 – Renaca
Vina Del Mar, Chile
Mr. Eduardo De la Iglesia
Tel +56-32-834052
Fax+56-32-833692
evacequips@mitsachile.com
www.mitsachile.com

Great Britain and Eire
Transvac Marine Systems Ltd
Marlowe House
Unit B Rudford Industrial Estate
Ford, Near Arundel,
West Sussex.
BN18 OBF
Great Britain
Tel +44-1903-736900
Fax +44-1903-731569
sales@transvac-systems.co.uk
www.transvac-systems.co.uk

Greece
Environmental Protection Eng. S.A.
Schisto Industrial Park (VIPAS)
Block 13, Keratsiniou–Skaramagas
Ave, 188 63 Perama
Greece
Tel (+30) 2104093000
Fax (+30) 2104617423
epe@epe.gr
www.epe.gr

Hong Kong
Wartsila China Ltd.
TYTL 108 RP
Sai Tso Wan Road
Tsing Yi Island, NT
Hong Kong
Tel +852-2528 6605
Fax +852-2529 9488

India, Sri Lanka, Bangladesh
VACman Sanitation Solutions Pvt Ltd.
132, Seawoods Corner, Oppo,
Seawoods Railway Station,
Sector 25, Seawoods, Nerul
Navi Mumbai 400 706
India
Tel/Fax+91 22 27720006
Mobile +91 98206 24393,
+91 98810 01231
prasad.rekhi@vacman.co.in
anup.keny@vacman.co.in

Italy
Sanitrade S.r.l.
Operational Headquarters
Via Selaschi, 35 A
IT-16040 Leivi (Genova)
Legal Headquarters
Via Ippolito d'Aste, 1/5 scala dx.
IT-16121 GENOVA
Italy
Tel +39-0185-385 065
Fax +39-0185-385 066
info@sanitrade.it

Japan
Harada Corporation
Tokyo Branch
Tokio Kaijo Bldg.
Shinkan 2-1, Marunouchi 1-chome
Chiyoda-ku, TOKYO 100-0005
Japan
Tel +81-3-5222 7172
Fax +81-3-3213-8399
yoshida-k@haradacorp.co.jp
www.haradacorp.co.jp

Netherlands
Qua-Vac B.V.
Televisieweg 157
NL-1322 BH Almere
The Netherlands
Tel +31-36-546 1999
Fax +31-36-535 0909
info@quavac.com
www.quavac.com

Peru
Maquinarias E Inversiones
Tecnicas S.A. (MITSA)
Avda Vicuna Mackenna
No. 882 – Renaca
Vina Del Mar, Chile
Mr. Eduardo De la Iglesia
Tel +56-32-2834 052
Fax +56-32-2833 692

evacequips@mitsachile.com
www.mitsachile.com

Poland
IPaKo
Systemy próżniowe
ul.Teczowa 2
81 577 Gdynia
Poland
Tel +48-58-624 9222
Fax +48-58-624 9394
pawel@kolodziej.com.pl

Portugal
Cogema Comercio Geral De Maguinias,
Limitada
Rua Lagares de El Rei,lote 1481 –r/c Dto
1700-268 Lisboa
Portugal
Tel +351 21 355 6843, 314 0162
Fax +351 21 355 7498
geral@cogema.pt

Romania
Martrade Srl
13, Domneasca Street
Dunarea Business Center
1st Floor, Rooms 105, 110
800015-Galatzi
Romania
Tel +40 236 460814, +40 236 466152
Fax +40 236 463930
martrade@martrade.ro

Russia
Jama-Engineering
Starobel'skaya Street 4
197342 Saint Petersburg
Russian Federation
Tel. [+7\(812\)3354007](tel:+7(812)3354007)
Fax. [+7\(812\)3354008](tel:+7(812)3354008)
project@jama.ru
www.jama.ru

Marine Technics
Liflyandskaya Street 6A
190020 Saint Petersburg
Russian Federation
Mr Aleksandr Tereschenko
Tel. +7 (812) 3094646163
Fax +7 (812) 3094636
infot-shipbuilding.com
www.marinetec.com

Singapore
Pamarine Pte Ltd.
22 Tuas West Road
Singapore 638380
Singapore
Tel +65-6861 8922
Fax +65-6861 7022
evac@pamarine.com.sg
www.pamarine.com.sg



EVAC COMPANIES AND MARINE REPRESENTATIVES WORLDWIDE

3

South Africa

Aquamarine Water Treatment
Aquamarine House
122 Capricorn Drive
Capricorn Business Park
Muizenberg
Cape Town
South Africa
[Tel+2721 788 5342](tel:+27217885342)
Fax +2721 788 5344
lee@aquamarinewater.co.za
www.aquamarinewater.co.za

Spain

PECOFacet Iberica S.A.
Avda. Da Ponte 16
Pol. Industrial de Sabón
15142 Arteixo A Coruña, Spain
Tel +34-981-601 400
Fax +34-981-601 000
spain@pecofacet.com
www.facetinternational.com

Sweden

Axel H. Carlsson & Co. AB
P.O. Box 300 44
S-400 43 Gothenburg
E.A. Rosengrensgata 29B
S-421 31 Västra Frölunda
Sverige
Tel. +46 31 4989 00
Fax +46 31 47 29 41
info@axelhcarlsson.se
www.axelhcarlsson.se

Taiwan

Union Group Business Co. Ltd
8F - 2, No. 189, Sec.2,
Keelung Road,
TAIPEI,
Taiwan, ROC
Tel +886-2-2378 7977
Fax +886-2-2378 7986
uniongb@ms11.hinet.net

Thailand

Wattana Co. Ltd.
House NBR 1, Soi Pipat 2
Covent Road, Bangrak
Bangkok 10500
Thailand
Tel +66-2-266 7200
Fax +66-2-236 1081
site@wattanacompany.com

Turkey

Dop. Ltd. Sti.
Aydintepe Mh. Yakamoz Sk.
No 26/D Tuzla, 34947 Istanbul
Turkey
Tel +90-216 494 0920, 494 0921
Fax +90-216 494 0924
info@dopltd.com
www.dopltd.com

United Arab Emirates, Saudi-Arabia, Bahrain, Qatar and Oman

United Technical Services
Plot No. 3E, Sector MN-3, Mussafah
P.O. Box 277
Abu Dhabi
United Arab Emirates
Tel. +971-26-171000
Fax +971-25-538853
marine@uts.ae
www.uts.ae

U.S.

Allied Marine Services, Inc.
425 Log Canoe
Stevensville, MD 21666
John Hautala
Tel +1-410-643-6313
Fax +1-410-643-6437
jhautala@shipequip.com
www.amsgroup.net
(States: DE, GA, MD, NJ, PA, SC, NC,
VA, CT, ME, NH, NY, MA, RI, VT)

Green Marine & Industrial
Equipment Co. Inc.
1111 Central Ave
Metairie, LA 70001
Lance Ranlett
Tammy Johnson
Tel +1-504-833-7386
Fax +1-504-834-1153
info@greenmarine.com
www.greenmarine.com
(States: AL, LA, MS, FL)

Green Marine & Industrial
Equipment Co., Inc.
340 Garden Oaks Blvd.
Houston, TX 77018
Ashley Bourgeois, Joel Anderson (parts)
Tel +1-713-242-9114
Fax +1-713-242-9134
Houston@greenmarine.com
www.greenmarine.com
(States: TX)

Hassler & Associates
12408 Tanager Drive
Gig Harbor, WA 98332
Canada
Mr. Carl Hassler
Tel +1-253-851-3248
Fax +1-253.851.3249
Carl.Hassler@NWMSupply.com
(States: WA, OR, AK)

Venezuela

DIMA S.A.
Av. Sur O
Edificio Puente Restaurador PB
(Antes del Laboratorio Vargas)
Parroquia Santa Teresa
1010 Caracas, Venezuela
Mr. Louk W.M. Minderop

Tel +58-212-542-0866
Fax + 58-212-545-4247
Dimansa@minderop.eu



GENERAL

SAFETY INSTRUCTIONS

Safety summary

The Evac vacuum toilet system receives, treats and discharges sewage waste. Personnel must at all times observe safety regulations while performing maintenance or repairs. Every practical safety feature has been incorporated into the design and manufacture of this equipment; however, personnel must be aware of the following potential hazards.

Gas hazards

Putrefaction of organic matter in vacuum toilet systems will produce disagreeable odours and an oxygen deficient atmosphere. When removing access covers, fresh air from an outside source must be supplied to the surrounding area. Only after this fresh air has been supplied should personnel open the tank. Under no circumstances should any person service a tank without a second person, capable of rendering aid, standing by. If an extended period of time is anticipated for the tank's repair, personnel should utilize the proper respiratory equipment.

Chemical hazards

Manufacturer's safety regulations must be followed when using harmful chemicals such as (but not limited to) those used for disinfection, foam removal or pipe cleaning.

Disease hazards

Sewage is a common mode of transmission for parasitic organisms such as bacteria, fungi, protozoa, viruses, and worms. Some of these may be pathogenic, meaning they have the capability of causing serious communicable diseases. **Most diseases associated with sewage result from hand-to-mouth transfer of the pathogenic organisms.** Good personal hygiene by those servicing, or in any way coming in to contact with the equipment, is imperative. After coming in to contact with sewage or any contaminated equipment items, personnel should thoroughly clean themselves with a disinfectant soap solution. This precaution is an absolute requirement before eating, drinking or performing other hand-to-mouth functions. Skin abrasions, punctures or any other wounds require immediate and proper medical attention.

Mechanical hazards

Before maintenance is performed on motor driven equipment, the main circuit breaker should be disconnected and labeled "OUT OF SERVICE". Only authorized maintenance personnel should make repairs to this equipment.

Electrical hazards

The equipment is supplied with voltages that are dangerous and could prove fatal if contacted by personnel. To avoid electrical shock, remove the electrical power by switching the main circuit breaker to the OFF position. Do this before performing any maintenance on electrical equipment or motors. Personnel should exercise extreme caution when opening the door, even though the main circuit breaker is in the OFF position. The terminals of incoming power are still live.

1. EVAC VACUUM TOILETS

EVAC IN-COMPONENTS

ELECTROLUX-TYPE TOILETS

IFÖ-TYPE TOILETS

EVAC 90 AND 900 TYPE TOILETS

EVAC 910 TYPE TOILETS

EVAC CLASSIC TOILETS

EVAC CLASSIC TOILETS (UPGRADED)

EVAC 900 AND 910, B15, WALL MODEL TOILETS

EVAC 900 AND 910, WALL MODELS WITH AUTOFLUSH UNIT

EVAC 90 AND 910 STAINLESS STEEL TOILETS

EVAC 910 SQUATTING TOILETS

RETROFIT PRODUCTS FOR VACUUM TOILETS

THE NEW TOILET IN-COMPONENTS MAKE THE DIFFERENCE

- EvacInshine - toilets
- EvacInhush - seats
- EvacInflux - discharge valve kits
- EvacInclick - flush control kits

The In-components improve the appearance and hygiene of the sanitary facilities. Retrofit products are the latest Evac technology and fully interchangeable with old products. Retrofit products guarantee your system's operation and cut maintenance costs.



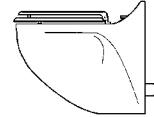
RETROFIT PRODUCTS FOR VACUUM TOILETS


IN - COMPONENTS

EvacInshine toilet

- Replaces IFÖ wall model toilet
- Quick to install
- Same wall fixing as in IFÖ toilet


IFÖ wall model toilet



	P/N	Product	Link to document
	6542544	EvacInshine toilet complete with Evac 910, wall model, Prestige	1:01217F
	6542545	EvacInshine toilet complete with Evac 910, wall model, Mosaik	1:01217F
	6542546	EvacInshine toilet complete with Evac 910, wall model USPH, Prestige	1:01218E
	6542547	EvacInshine toilet complete with Evac 910, wall model USPH, Mosaik	1:01218E


EvacInhush seat

- High class design and silence

	P/N	Product	Link to document
	6551551	Evac Star, seat and cover for Evac 90 wall and Evac 90 / 900 / 910 floor model toilets	002976-3
	6546818	EvacInhush, Prestige seat and cover	002510-5
	6546819	EvacInhush, Prestige Soft Closing seat and cover	002511-3

EvacInflux valve

- All new trouble-free package (discharge valve, outlet pipe, mini-check valve)


	P/N	Product	Link to document
	6542959	EvacInflux 2 for Evac 90 toilets with plastic back plate	6:01121B
	6544681	EvacInflux silent kit for Evac 90 and 900 toilets	002012-4
	6544801	EvacInflux silent valve for Evac 90 and 900 toilets	002012-4

EvacInclick flush control upgrade

- Model 1 with flush knob on porcelain
- Model 2 with flush knob on wall
- Model 3 for back wall installation

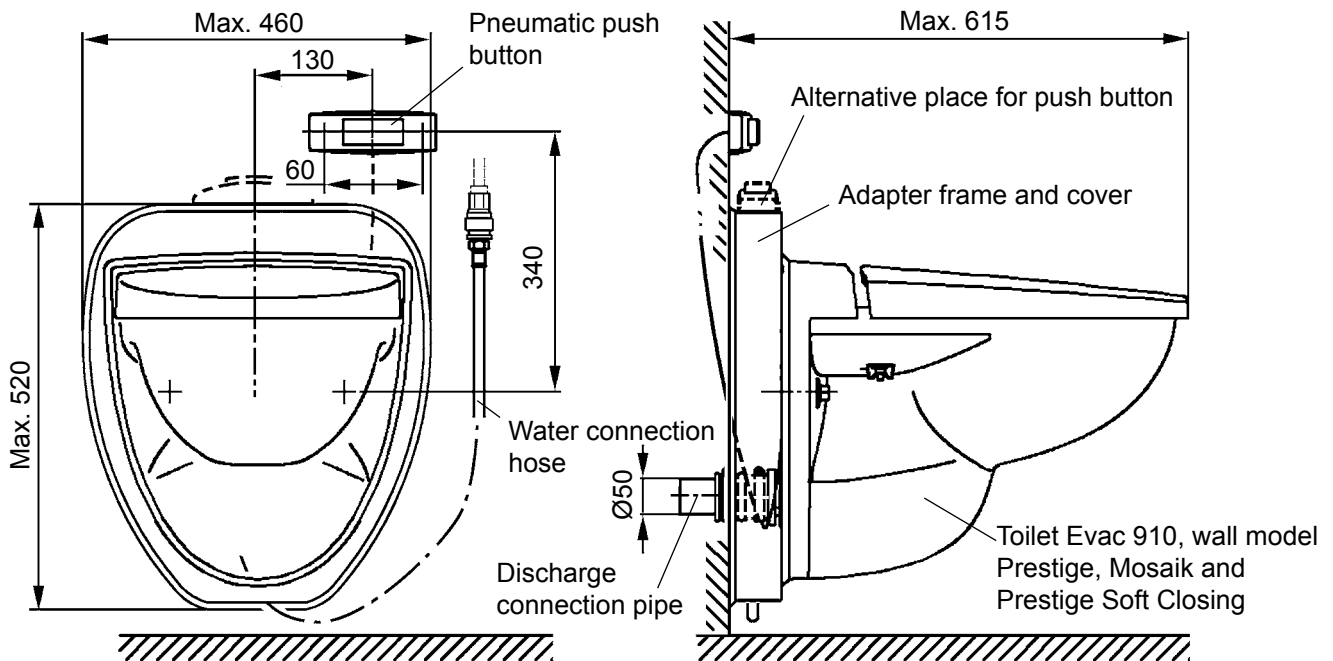
IFÖ flush valve



	P/N	Product	Link to document
	5350000	EvacInclick 1, flush control unit for IFÖ toilets	6:01117E
	5350020	EvacInclick 2, flush control unit for IFÖ toilets	1:01118F
	6542341	EvacInclick 3, flush control unit for IFÖ toilets	6:01102G

VACUUM TOILET

- 6542544** EVACINSHINE TOILET COMPLETE WITH EVAC 910, WALL MODEL, PRESTIGE TO REPLACE IFÖ TOILETS
6542545 EVACINSHINE TOILET COMPLETE WITH EVAC 910, WALL MODEL, MOSAIK TO REPLACE IFÖ TOILETS
6452548 EVACINSHINE TOILET COMPLETE WITH EVAC 910, WALL MODEL, PRESTIGE SOFT CLOSING TO REPLACE IFÖ TOILETS



P/N 6542544 (consist of): P/N 6543418 Evac 910, wall model Prestige (See doc. 002509-4)
 Adapter frame
 Cover
 Fastening hook
 Pipe
 Water connection hose
 Edge strip
 Product information

P/N 6542545 (consist of): P/N 6543419 Evac 910, wall model Mosaik (See doc. 002509-4)
 Adapter frame
 Cover
 Fastening hook
 Pipe
 Water connection hose
 Edge strip
 Product information

P/N 6452548 (consist of): P/N 6547226 Evac 910, wall model Prestige Soft Closing (See doc. 002509-4)
 Adapter frame
 Cover
 Fastening hook
 Pipe
 Water connection hose
 Edge strip
 Product information



VACUUM TOILET

- 6542544 EVACINSHINE TOILET COMPLETE WITH EVAC 910, WALL MODEL, PRESTIGE TO REPLACE IFÖ TOILETS
- 6542545 EVACINSHINE TOILET COMPLETE WITH EVAC 910, WALL MODEL, MOSAIK TO REPLACE IFÖ TOILETS
- 6452548 EVACINSHINE TOILET COMPLETE WITH EVAC 910, WALL MODEL, PRESTIGE SOFT CLOSING TO REPLACE IFÖ TOILETS

Materials

Adapter frame: Al, DIN1028
Cover: PVC
Pipe: PVC

Shipping data

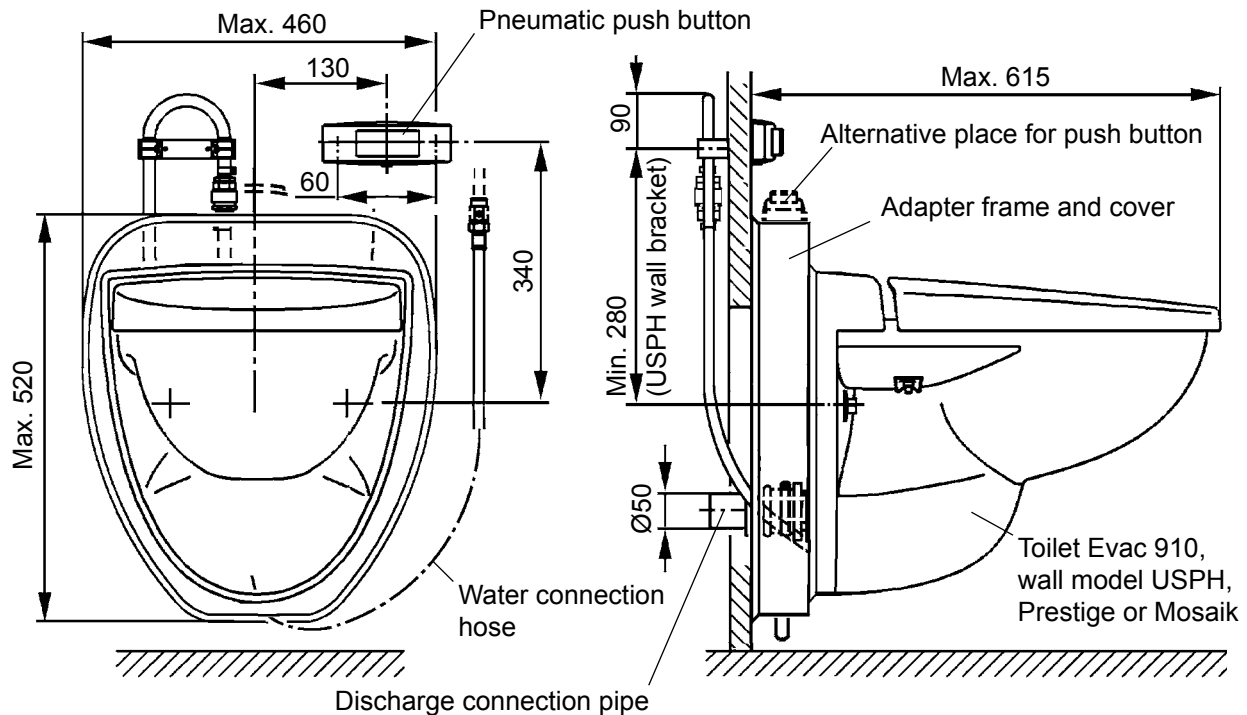
P/N 6542544 and P/N 6452548 EvacInshine toilet complete:
Net weight: 24.2 ±0.5kg
Shipping weight: 27.5 ±0.5kg
Shipping volume: 0.168m³

P/N 6542545 EvacInshine toilet complete:
Net weight: 21.1 ±0.5kg
Shipping weight: 24.4±0.5kg
Shipping volume: 0.168m³

VACUUM TOILET

6542546 EVACINSHINE TOILET COMPLETE WITH EVAC 910, WALL MODEL USPH, PRESTIGE TO REPLACE IFÖ TOILETS

6542547 EVACINSHINE TOILET COMPLETE WITH EVAC 910, WALL MODEL USPH, MOSAIK TO REPLACE IFÖ TOILETS



P/N 6542546 (consist of): P/N 6543420 Evac 910, wall model USPH, Prestige (See doc. 002513-3)
 Adapter frame and cover
 Fastening hook
 Pipe
 Water connection hose
 Edge strip
 Product information document

P/N 6542547 (consist of): P/N 6543421 Evac 910, wall model USPH, Mosaik (See doc. 002513-3)
 Adapter frame and cover
 Fastening hook
 Pipe
 Water connection hose
 Edge strip
 Product information document

Materials
 Adapter frame: Al, DIN1028
 Cover: PVC
 Pipe: PVC

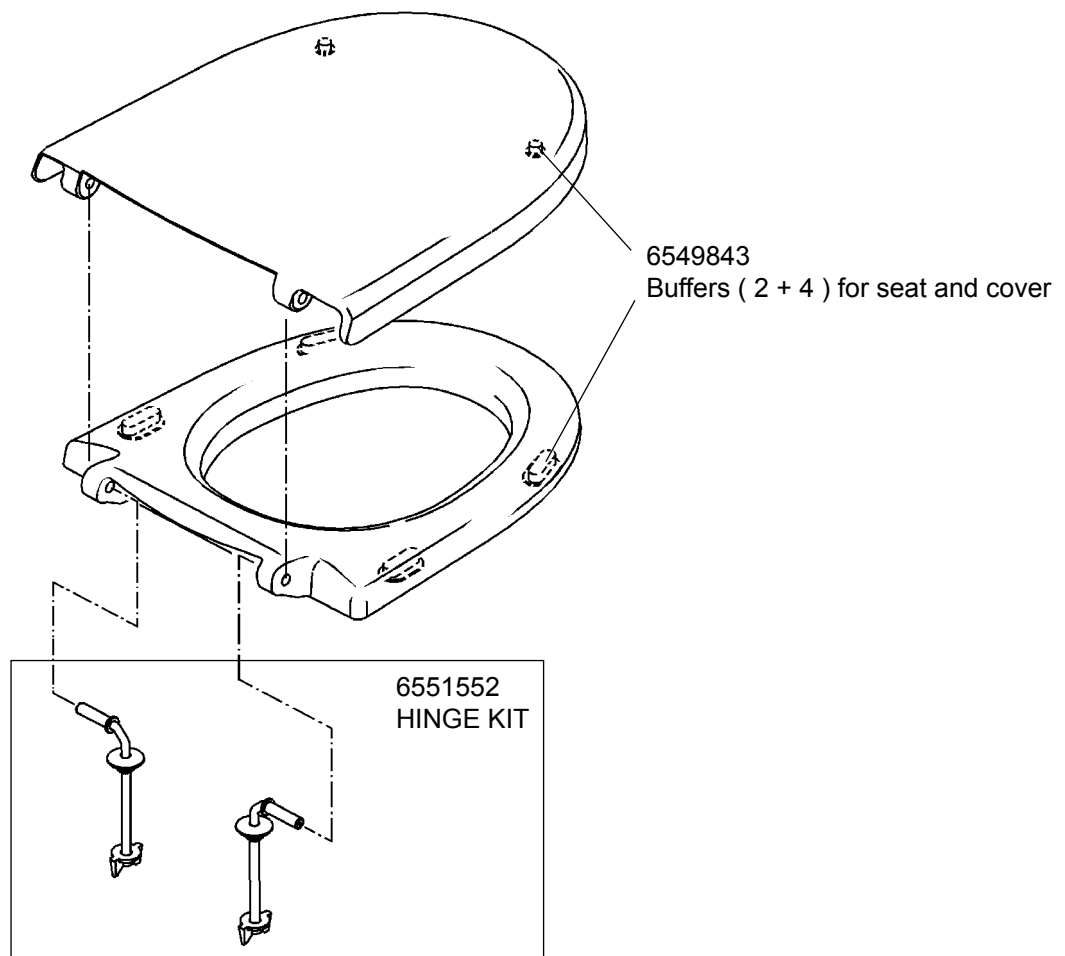
Shipping data
 P/N 6543420 EvacInshine toilet complete:
 Net weight: 25 ±0.5kg
 Shipping weight: 28.2 ±0.5kg
 Shipping volume: 0.168m³

P/N 6543421 EvacInshine toilet complete:
 Net weight: 22 ±0.5kg
 Shipping weight: 25.3 ±0.5kg
 Shipping volume: 0.168m³

VACUUM TOILET

6551551 EVAC STAR, SEAT AND COVER

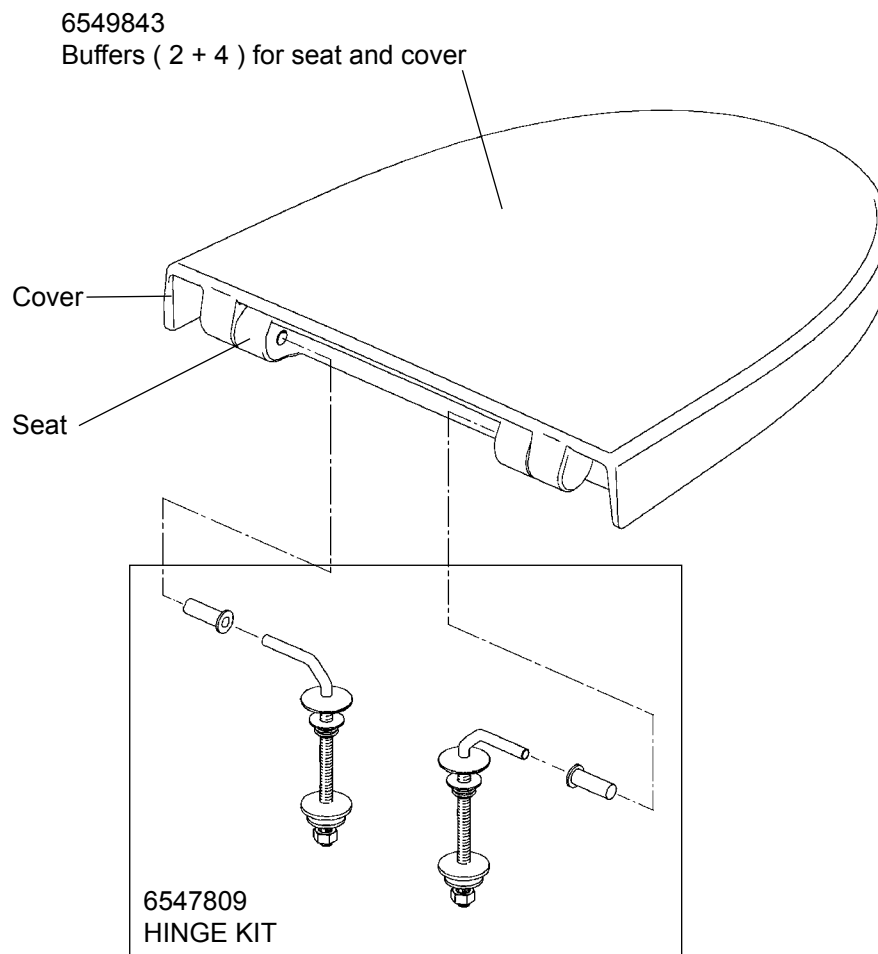
P/N 6541922 is replaced by P/N 6551551



VACUUM TOILET

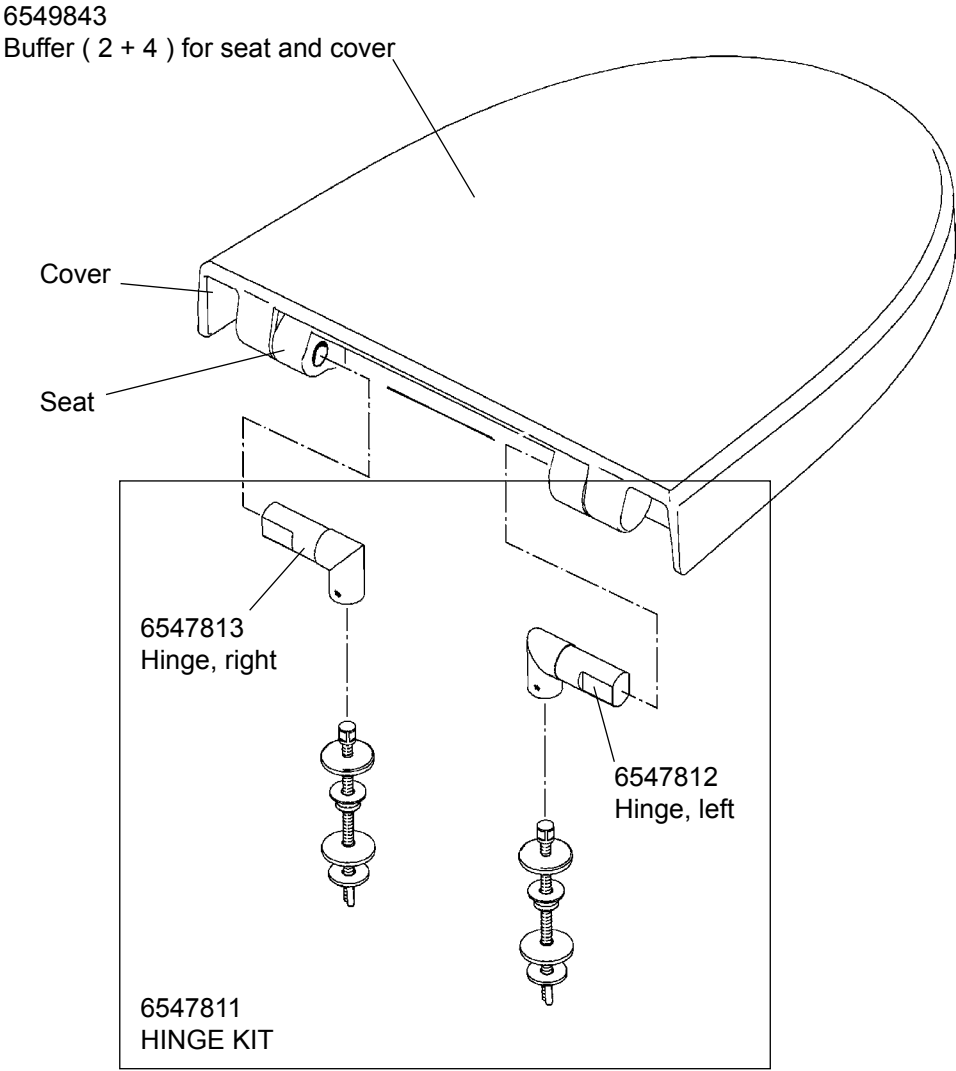
6546818 PRESTIGE, SEAT AND COVER

Prestige seat and cover fulfills ANSI Z124.5 - 1997 (Plastic Toilet Seats (Water closet)) requirements.



VACUUM TOILET

6546819 PRESTIGE SOFT CLOSING, SEAT AND COVER



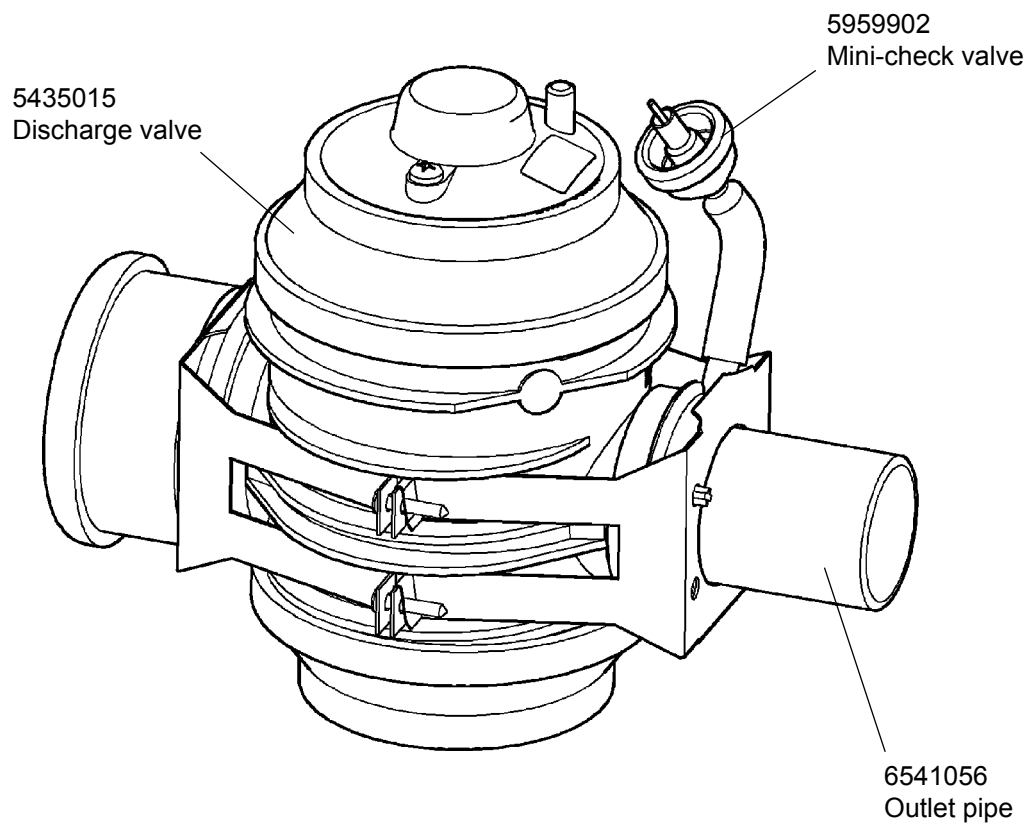
VACUUM TOILET

6542959 EVACINFLUX 2 FOR EVAC 90 TOILETS WITH PLASTIC BACK PLATE

P/N 5779200 is replaced by P/N 6542959

6543029 RECOMMENDED SPARE PART KIT:

- 1 x 5435169 Rubber diaphragm
- 2 x 5435181 Rubber sleeve



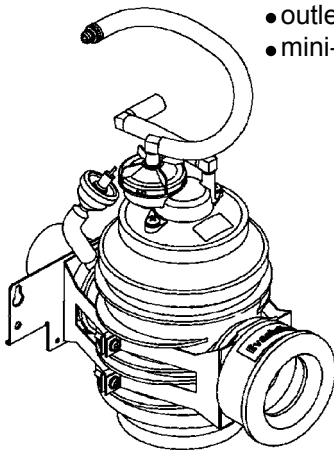
VACUUM TOILET

6544801 EVACINFLUX SILENT VALVE AND (6544681 EVACINFLUX SILENT KIT)

For improved customer experience

**EvacInflux silent valve or kit
reduces toilet flush noise by 4 - 6 dB(A).**

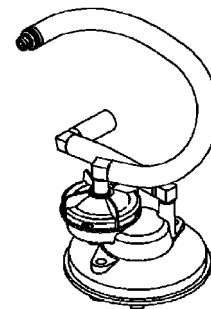
EvacInflux silent valve P/N 6544801



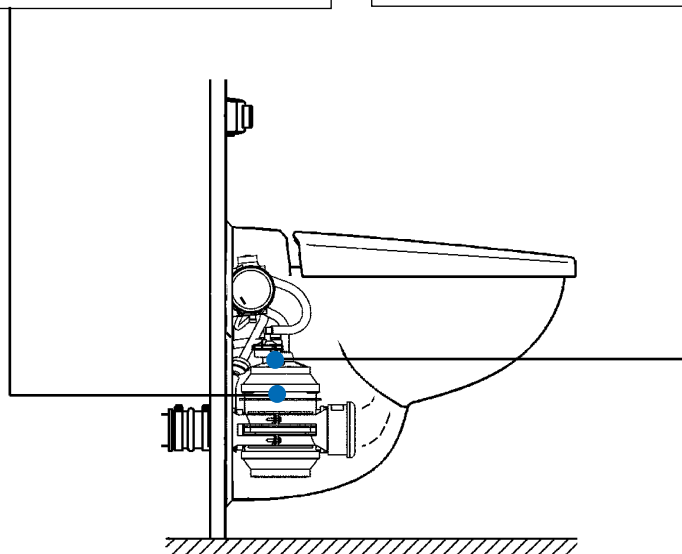
- All new valve package
- silent flush discharge valve
 - outlet pipe
 - mini-check valve

The toilet is quiet and maintenance free for years.

EvacInflux silent kit P/N 6544681



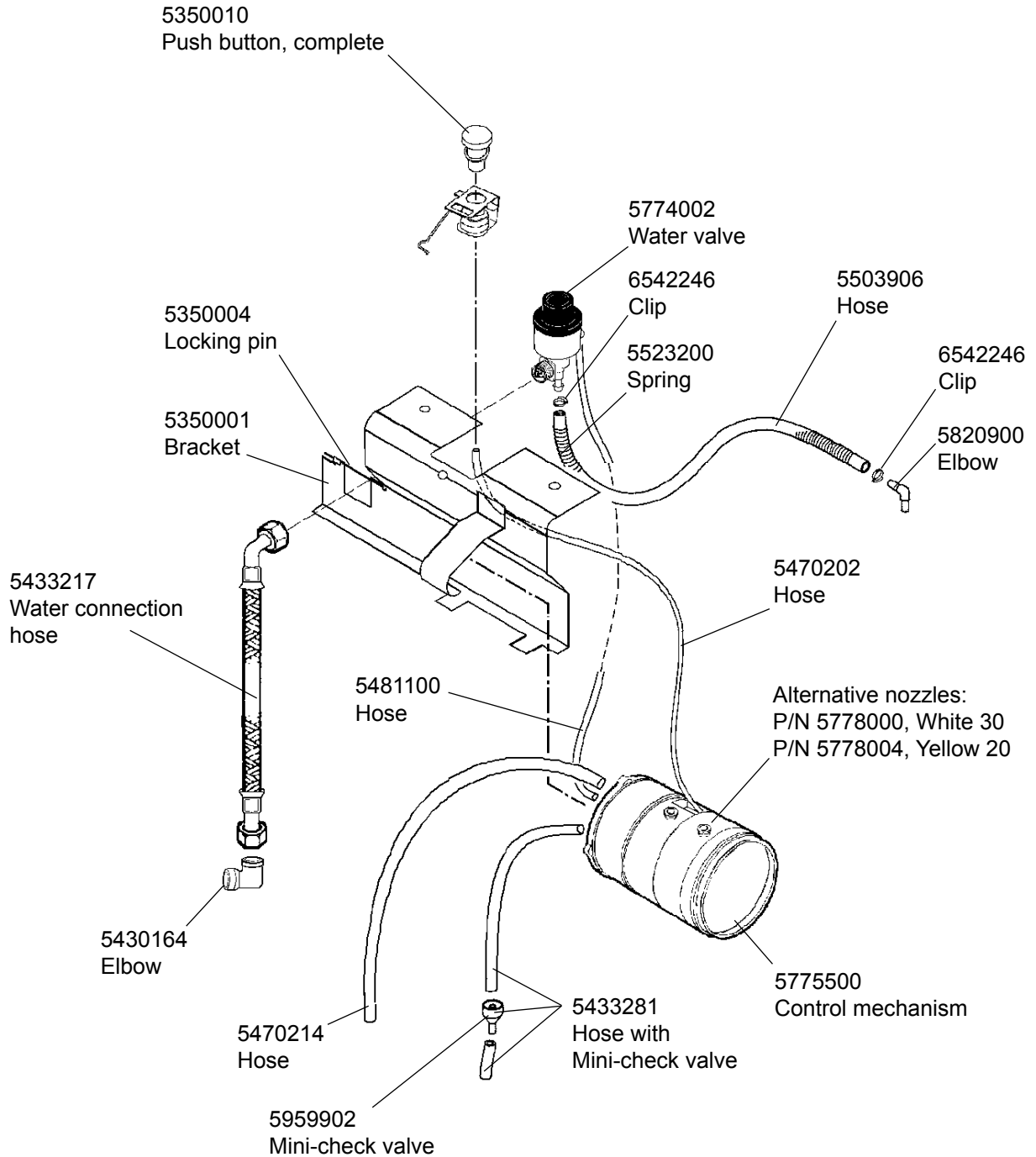
The new EvacInflux silent kit reduces noise with existing components inside.



- fits all Evac 90 and Evac 900 toilets
- easy to install
-

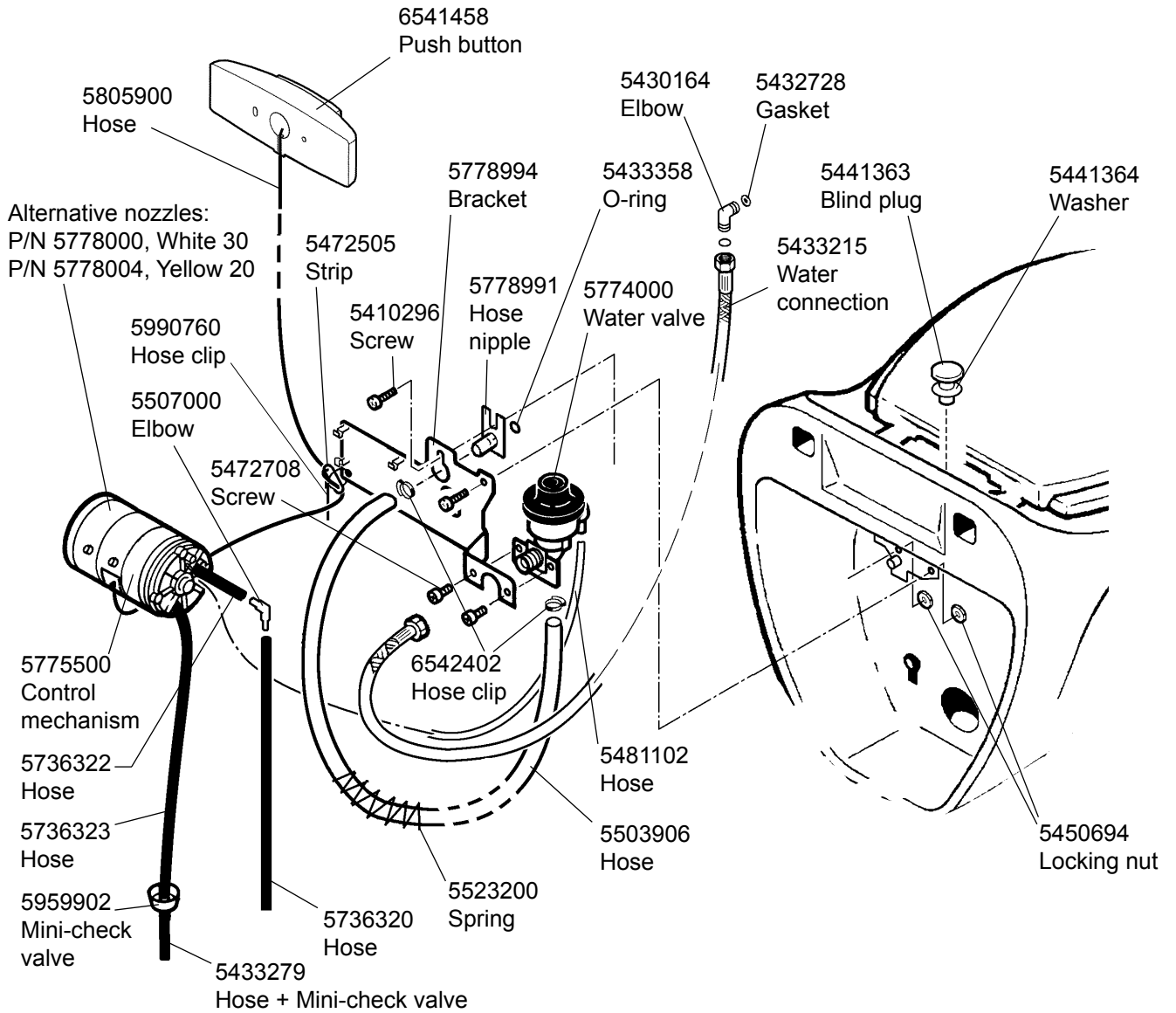
VACUUM TOILET

5350000 EVACINCLICK 1, FLUSH CONTROL UNIT FOR IFÖ TOILETS



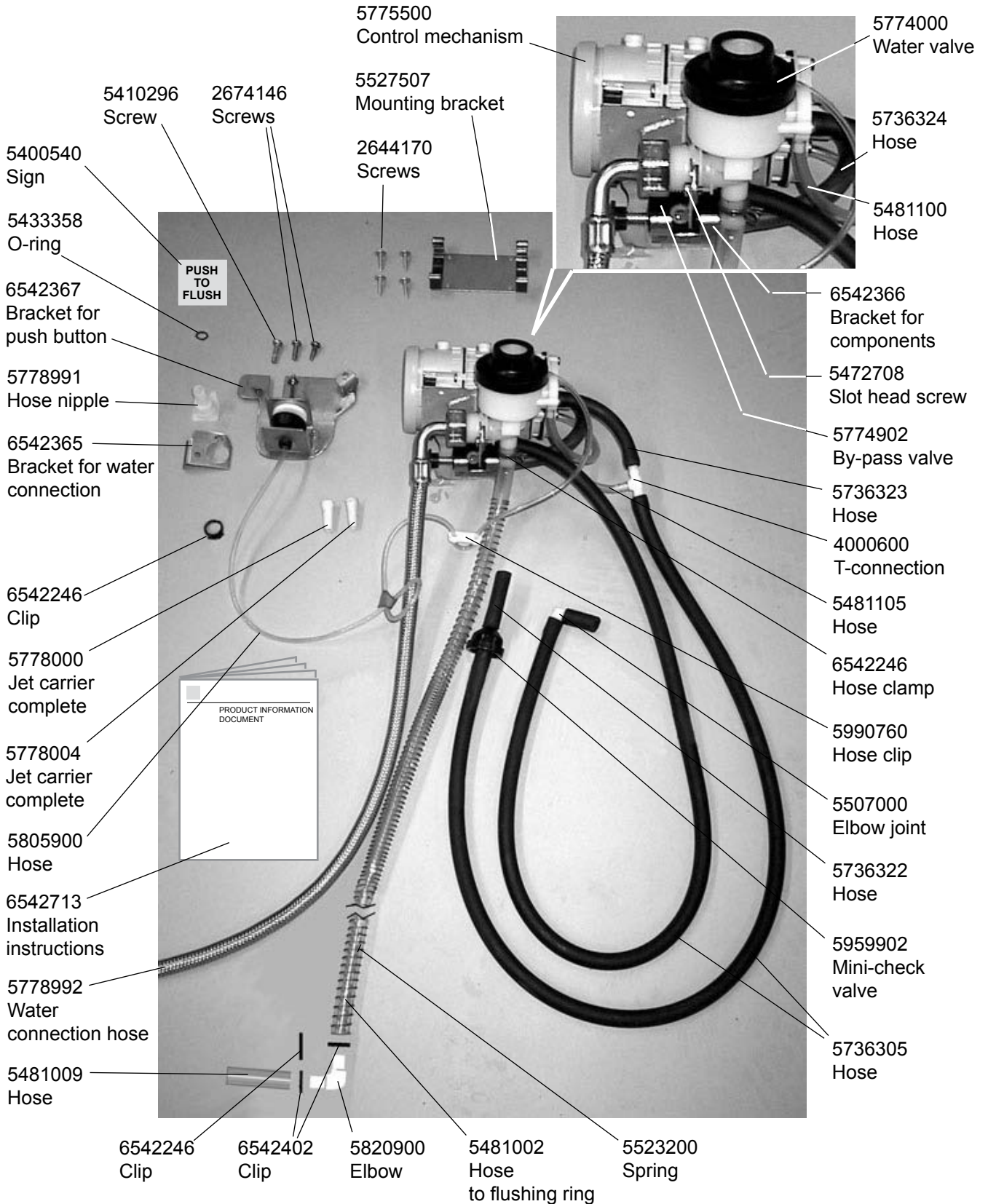
VACUUM TOILET

5350020 EVACINCLICK 2, FLUSH CONTROL UNIT FOR IFÖ TOILETS



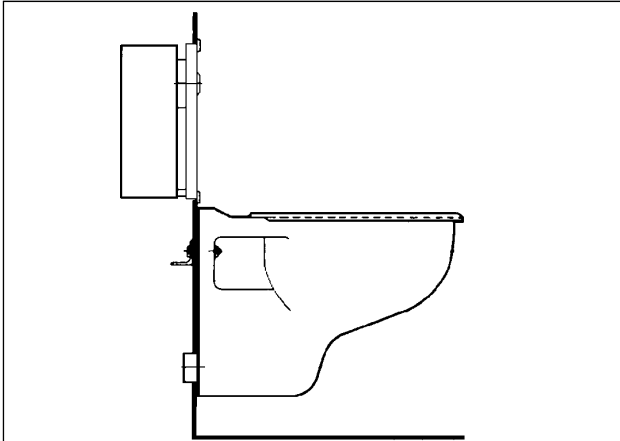
VACUUM TOILET

6542341 EVACINCLICK 3 FOR IFÖ / EVAC 90 / EVAC 900 TOILETS

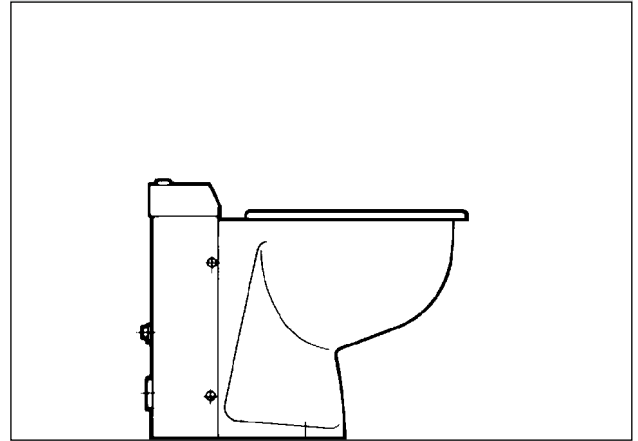


ELECTROLUX-TYPE TOILETS

WALL MODELS












FLOOR MODELS



[Spare parts](#)

[Replacing products](#)

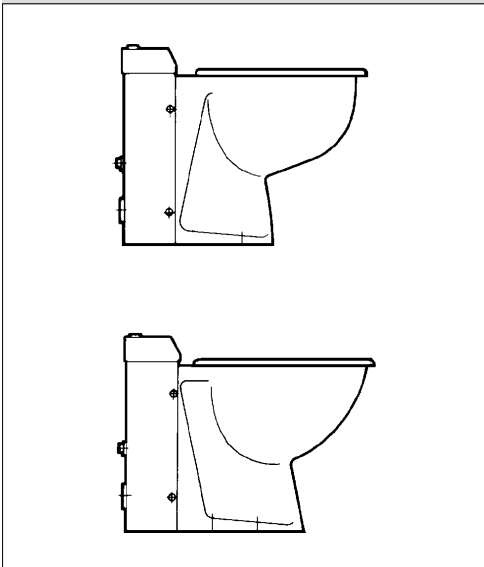
2015 - 2016 AVAILABLE SPARE PARTS FOR ELECTROLUX-TYPE TOILETS

	<p>5500900 Rubber diaphragm Old no: 491 50 09-00</p>		<p>5511500 Elbow joint 90 DGR. 60/50 Old no: 491 51 15-00</p>
	<p>5502400 Rubber sleeve Old no: 491 50 24-00</p>		<p>5990080 Rubber diaphragm Old no: 94 09 02-00</p>
	<p>5506700 Reducer 57/52mm Old no: 491 50 67-00</p>		
	<p>6540561 Reducer 57/48 Old no: 491 50 67-01</p>		
	<p>5506800 Rubber sleeve 57x59mm Old no: 491 50 68-00</p>		
	<p>5506900 Rubber sleeve 57x61mm Old no: 491 50 69-00</p>		
	<p>5507100 Rubber sleeve Old no: 491 50 71-00</p>		

REPLACING PRODUCTS FOR ELECTROLUX-TYPE TOILETS

FLOOR MODELS:

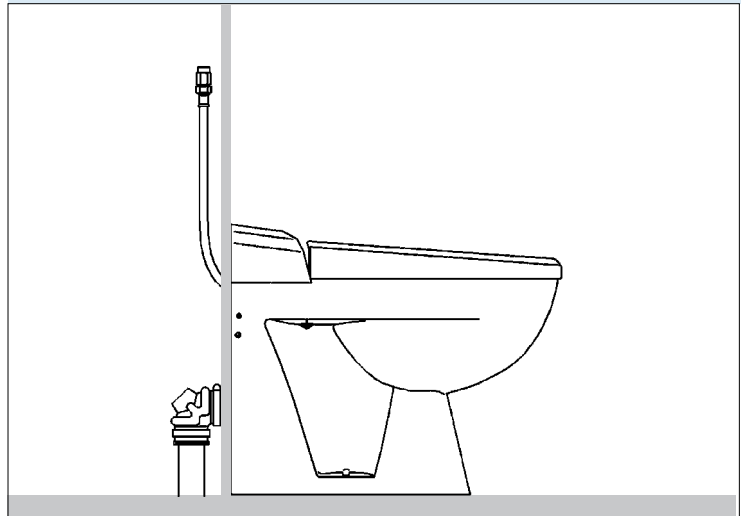
Electrolux type toilets,
floor models



REPLACING PRODUCTS:

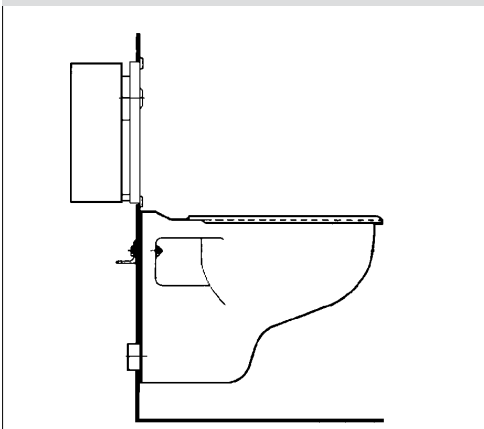
6545825 Evac 910, floor model toilet Star

6545826 Evac 910, floor model toilet Trevi



WALL MODELS:

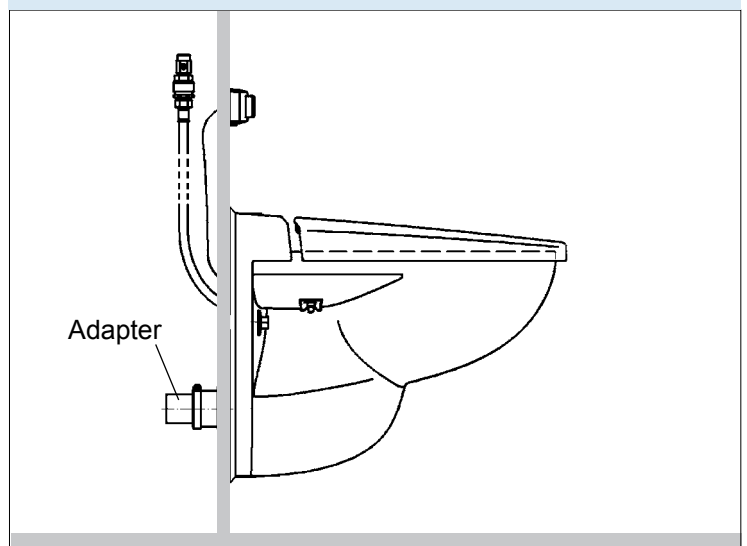
Electrolux type toilets,
wall models



REPLACING PRODUCTS:

6543418 Evac 910, wall model toilet Prestige +
6545415 Adapter

6543419 Evac 910, wall model toilet Mosaik +
6545415 Adapter

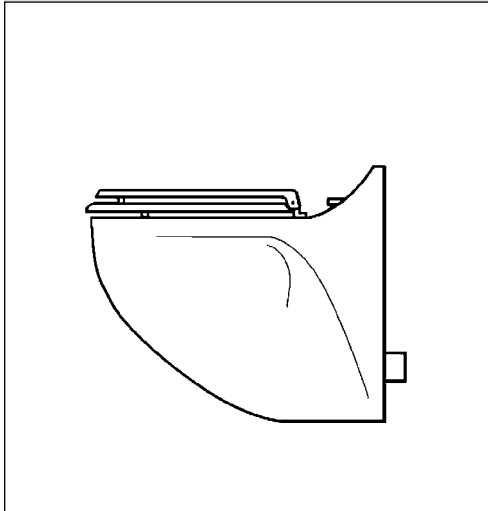


NOTE !

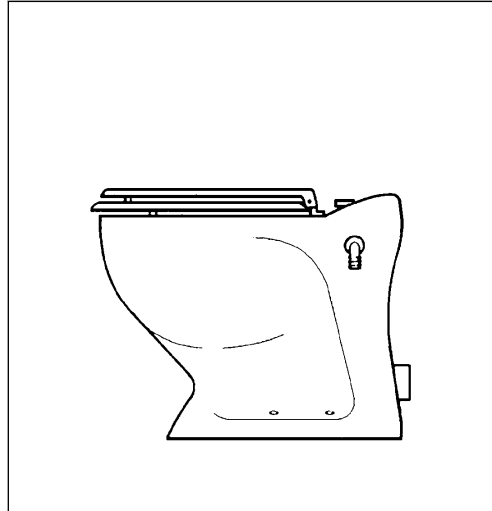
Fixing on the wall is different between
Electrolux type wall model toilet and
Evac 910 wall model toilets.

IFÖ-TYPE TOILETS

IFÖ, WALL MODELS



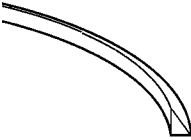
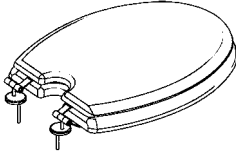
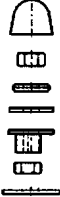
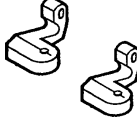
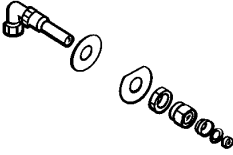
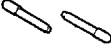
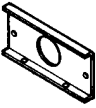



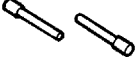
IFÖ, FLOOR MODELS



[Spare parts](#)

[Replacing products](#)

2015 - 2016 AVAILABLE SPARE PARTS FOR IFÖ-TOILETS

	<p>6544722 Seal</p> <p>Old no: 5410390, 41038.6</p>		<p>6546906 Seat and cover, Moon</p> <p>Old no: 5443401</p>
	<p>5430242 Installation kit</p>		<p>5444401 Hinge body, right and left Combi/Silent</p>
	<p>5433606 Water connection, side</p> <p>Old no: 43360.6</p>		<p>5445501 Hinge pin</p> <p>Old no: 4439.01</p>
	<p>5434517 Fastening plate</p> <p>Old no: 43451.7</p>		<p>6543029 Spare part kit</p>
	<p>5435014 Discharge valve</p> <p>Old no: 43501.3</p>		
	<p>5435349 Bracket for membrane box</p> <p>Old no: 43534.9</p>		
	<p>5443101 Hinge pin for seat and cover Silent</p>		

IFÖ-TYPE TOILETS

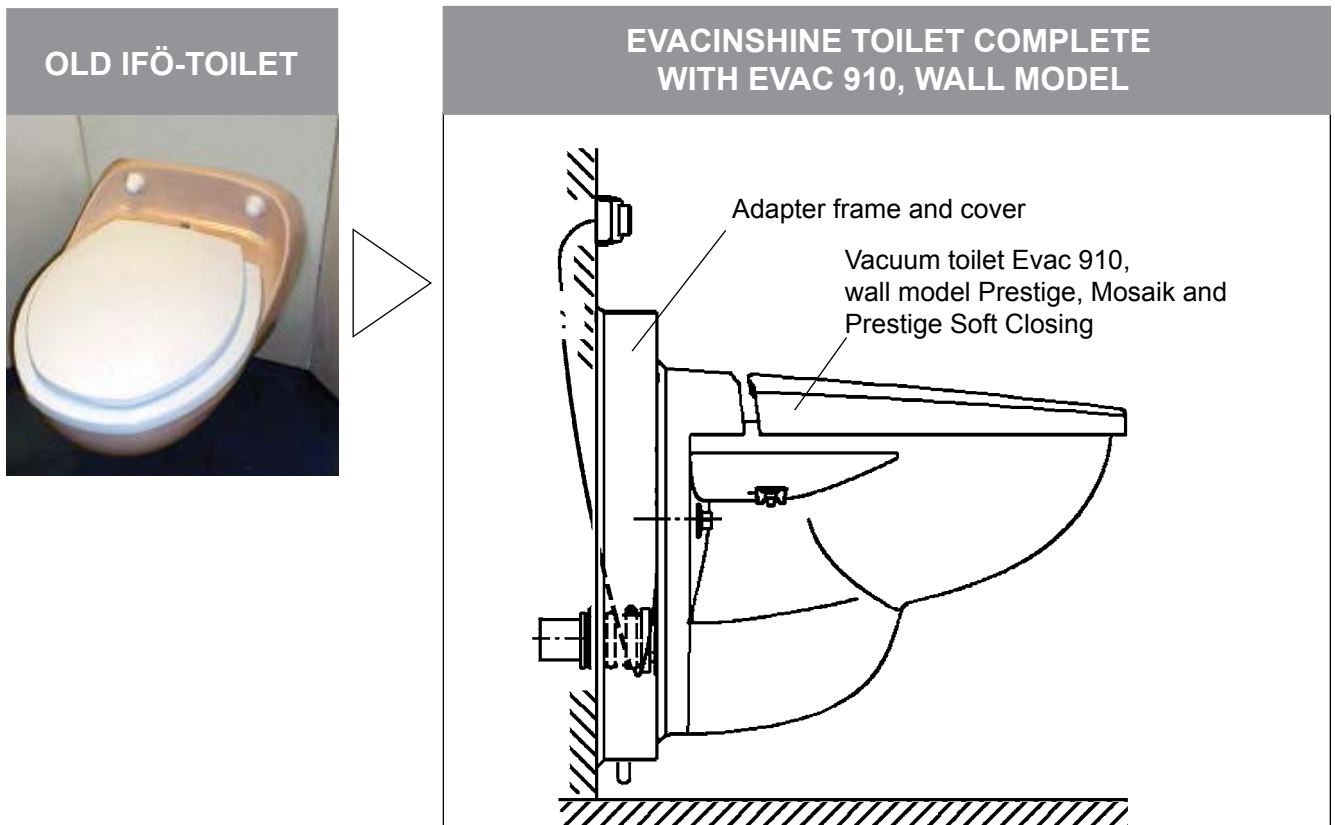
REPLACING PRODUCTS

Please identify your "old" product number and choose the replacing product.

Old products		Replacing products			
Name	P/N		P/N	Name	Link to document
Toilet IFÖ Wall Combi	5325101 43251	▶ ▶	6542545	EvacInshine toilet complete with Evac 910, wall model, Mosaik seat	9:00058H
Toilet IFÖ Wall Combi	5325601 43256	▶ ▶	6542545	EvacInshine toilet complete with Evac 910, wall model, Mosaik seat	9:00058H
Toilet IFÖ Wall Kandre	5325701 43257	▶	6542544	EvacInshine toilet complete with Evac 910, wall model, Prestige seat	9:00058H
		▶	6542548	EvacInshine toilet complete with Evac 910, wall model, Soft Closing seat	9:00058H
Toilet IFÖ Wall Kandre	5325801 43258	▶	6542544	EvacInshine toilet complete with Evac 910, wall model, Prestige seat	9:00058H
		▶	6542548	EvacInshine toilet complete with Evac 910, wall model, Soft Closing seat	9:00058H
Toilet IFÖ Floor Combi	5326101 43261	▶ ▶	6545826	Vacuum toilet, Evac 910, floor model, Trevi	002266-7
Toilet IFÖ Floor Kandre	5326301 43263	▶ ▶	6545825	Vacuum toilet, Evac 910, floor model, Star	002266-7
Toilet IFÖ Wall Combi, USPH	5345101	▶	6542547	EvacInshine toilet complete with Evac 910, wall model, USPH, Mosaik seat	9:00057G
Toilet IFÖ Wall Kandre, USPH	5345701	▶	6542546	EvacInshine toilet complete with Evac 910, wall model, USPH, Prestige seat	9:00057G
Toilet bowl IFÖ with flushing ring	5428601	▶	6545826	Vacuum toilet Evac 910, floor model, Trevi	002266-7
Toilet bowl with flushing ring	5428401 5428501 5429301	▶	6542544	EvacInshine toilet complete with Evac 910, wall model, Prestige seat	9:00058H
		▶	6542548	EvacInshine toilet complete with Evac 910, wall model, Soft Closing seat	9:00058H
Flushing ring	5433471 43347.1	▶ ▶	5860160	Hi-efficiency flushing ring for Evac IFÖ vacuum toilets	9:00024C
Discharge valve	5435013 43501.3	▶ ▶	5435014	Discharge valve	6:110G
				EvacInclick flushing control units för IFÖ-toilets	9:00015G
Flush valve	5435259 or 43525.9	▶	5350000	EvacInclick 1, flush control unit	9:00062E
		▶	5350020	EvacInclick 2, flush control unit	9:00063F
		▶	6542341	EvacInclick 3, flush control unit	9:00064F
Membrane box	5435261 or 43526.0	▶	5350000	EvacInclick 1, flush control unit	9:00062E
		▶	5350020	EvacInclick 2, flush control unit	9:00063F
		▶	6542341	EvacInclick 3, flush control unit	9:00064F
Flush valve housing	5435265 or 43526.5	▶	5350000	EvacInclick 1, flush control unit	9:00062E
		▶	5350020	EvacInclick 2, flush control unit	9:00063F
		▶	6542341	EvacInclick 3, flush control unit	9:00064F

EVACINSHINE TOILET COMPLETE WITH EVAC 910, WALL MODEL TO REPLACE IFÖ TOILETS

P/N 6542544 PRESTIGE, P/N 6542545 MOSAIK AND 6452548 PRESTIGE SOFT CLOSING





VACUUM TOILET

- 6542544 EVACINSHINE TOILET COMPLETE WITH EVAC 910, WALL MODEL, PRESTIGE
TO REPLACE IFÖ TOILETS
- 6542545 EVACINSHINE TOILET COMPLETE WITH EVAC 910, WALL MODEL, MOSAIK
TO REPLACE IFÖ TOILETS
- 6452548 EVACINSHINE TOILET COMPLETE WITH EVAC 910, WALL MODEL, PRESTIGE SOFT
CLOSING TO REPLACE IFÖ TOILETS

TABLE OF CONTENTS

Table of contents..... Doc no. 9:00055M

Technical data:

EvacInshine toilet complete with Evac 910, wall model, Prestige, Mosaik and
Prestige Soft Closing for IFÖ toilet..... Doc no. 1:01217F

Evac 910, wall model, Prestige, Mosaik and Prestige Soft Closing..... Doc no. 002509-4

Installation:

EvacInshine toilet complete with Evac 910, wall model, Prestige, Mosaik and
Prestige Soft Closing for IFÖ toilet..... Doc no. 2:01067F

Spare parts:

EvacInshine toilet complete with Evac 910, wall model, Prestige, Mosaik and
Prestige Soft Closing for IFÖ toilet..... Doc no. 6:01113H

Back plate assembly, Evac 910, wall models..... Doc no. 002039-6

Discharge valve, Evac 910, wall models..... Doc no. 002038-4

Water valve, Evac 910, wall models..... Doc no. 001923-4

Control mechanism, Evac 910, wall models, floor models and spare part kit Doc no. 6:132N

Seat and cover, Prestige Doc no. 002510-5

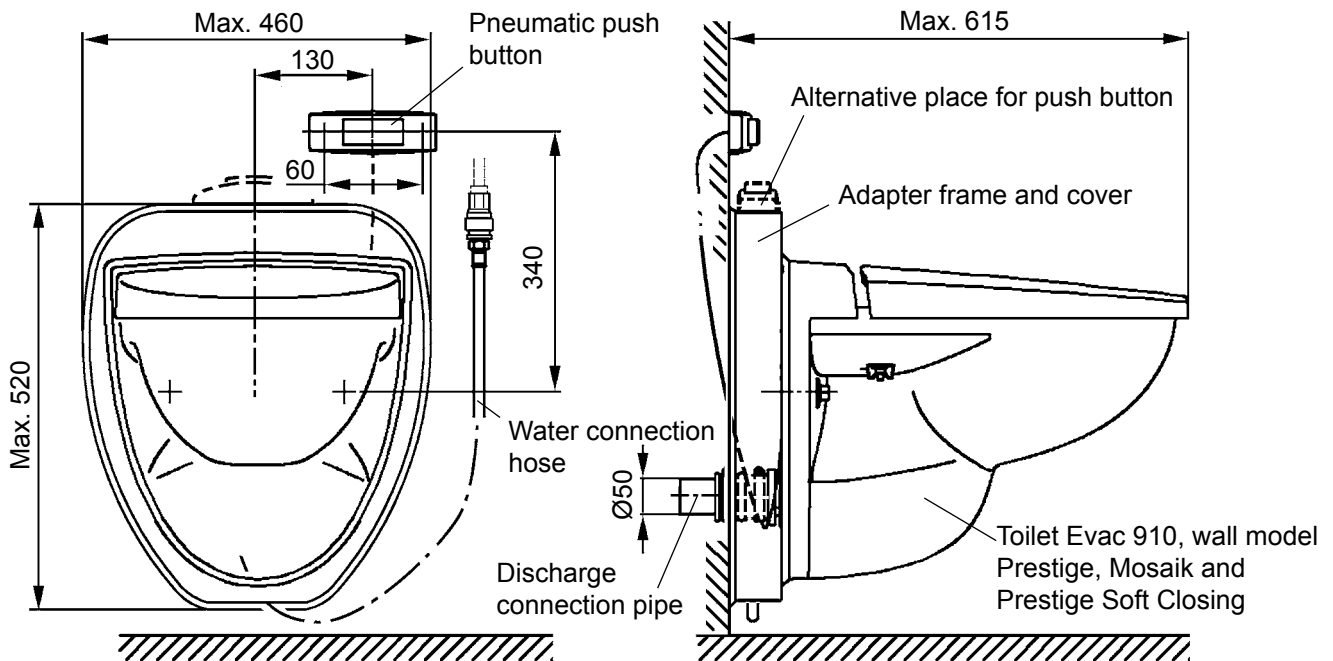
Seat and cover, Mosaik, Evac 910, wall models..... Doc no. 6:01019G

Seat and cover, Prestige Soft Closing, Evac 910, wall models..... Doc no. 002511-3

Pneumatic push button, Evac 910, wall models and optional pneumatic push button Doc no. 6:01012M

VACUUM TOILET

- 6542544** EVACINSHINE TOILET COMPLETE WITH EVAC 910, WALL MODEL, PRESTIGE TO REPLACE IFÖ TOILETS
- 6542545** EVACINSHINE TOILET COMPLETE WITH EVAC 910, WALL MODEL, MOSAIK TO REPLACE IFÖ TOILETS
- 6452548** EVACINSHINE TOILET COMPLETE WITH EVAC 910, WALL MODEL, PRESTIGE SOFT CLOSING TO REPLACE IFÖ TOILETS



P/N 6542544 (consist of): P/N 6543418 Evac 910, wall model Prestige (See doc. 002509-4)
 Adapter frame
 Cover
 Fastening hook
 Pipe
 Water connection hose
 Edge strip
 Product information

P/N 6542545 (consist of): P/N 6543419 Evac 910, wall model Mosaik (See doc. 002509-4)
 Adapter frame
 Cover
 Fastening hook
 Pipe
 Water connection hose
 Edge strip
 Product information

P/N 6452548 (consist of): P/N 6547226 Evac 910, wall model Prestige Soft Closing (See doc. 002509-4)
 Adapter frame
 Cover
 Fastening hook
 Pipe
 Water connection hose
 Edge strip
 Product information



VACUUM TOILET

- 6542544 EVACINSHINE TOILET COMPLETE WITH EVAC 910, WALL MODEL, PRESTIGE TO REPLACE IFÖ TOILETS
- 6542545 EVACINSHINE TOILET COMPLETE WITH EVAC 910, WALL MODEL, MOSAIK TO REPLACE IFÖ TOILETS
- 6452548 EVACINSHINE TOILET COMPLETE WITH EVAC 910, WALL MODEL, PRESTIGE SOFT CLOSING TO REPLACE IFÖ TOILETS

Materials

Adapter frame: Al, DIN1028
Cover: PVC
Pipe: PVC

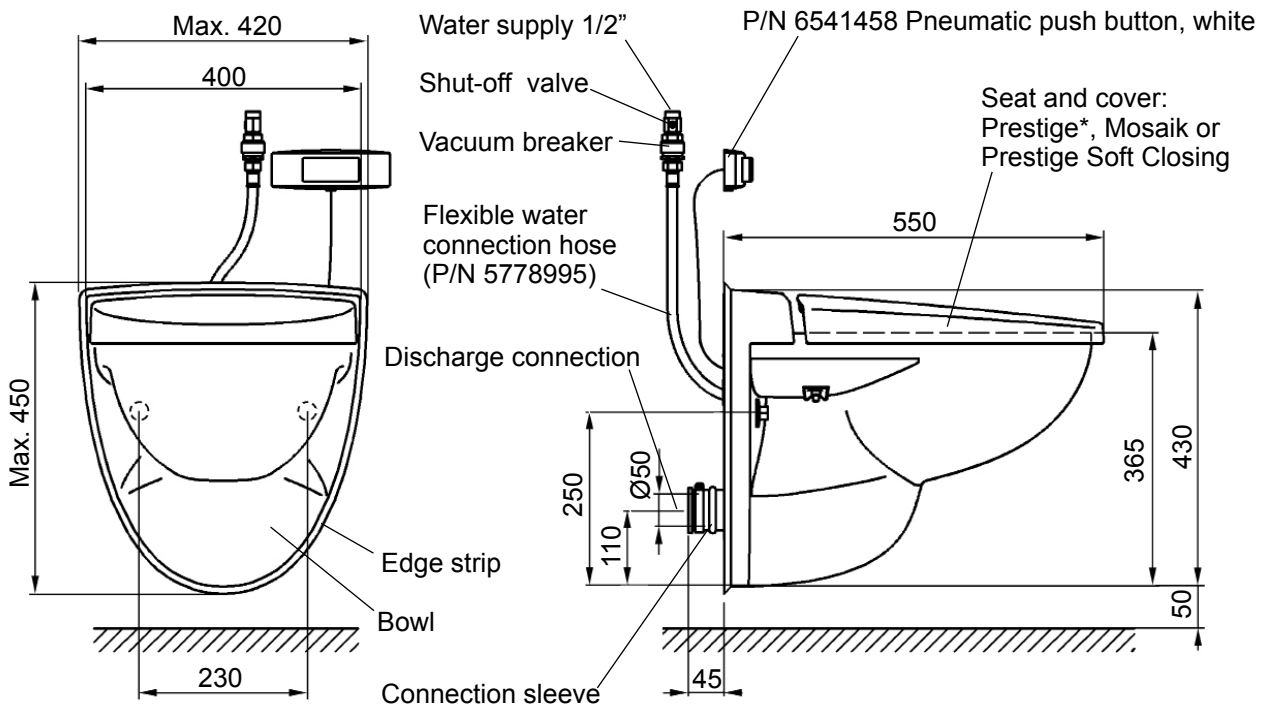
Shipping data

P/N 6542544 and P/N 6452548 EvacInshine toilet complete:
Net weight: 24.2 ±0.5kg
Shipping weight: 27.5 ±0.5kg
Shipping volume: 0.168m³

P/N 6542545 EvacInshine toilet complete:
Net weight: 21.1 ±0.5kg
Shipping weight: 24.4±0.5kg
Shipping volume: 0.168m³

VACUUM TOILET

- 6543418 EVAC 910, WALL MODEL, PRESTIGE (FOR EVACINSHINE TOILET P/N 6542544)
 6543419 EVAC 910, WALL MODEL, MOSAIK FOR (EVACINSHINE TOILET P/N 6542545)
 6547226 EVAC 910, WALL MODEL, PRESTIGE SOFT CLOSING (FOR EVACINSHINE TOILET P/N 6452548)



* Prestige seat and cover fulfill ANSI Z124.5 - 1997 [Plastic Toilet (Water closet) Seats] requirements.

Materials

Bowl: White vitreous china
 Seat; *Prestige and Prestige Soft Closing: UF-S, Mosaik: PP
 Cover; *Prestige and Prestige Soft Closing: UF-S, Mosaik: PP
 Pneumatic push button: White plastic, ABS
 Discharge valve; plastic parts: PP, rubber parts: NR

Operating data

Water pressure: 3 - 10 bar
 Operating vacuum: -0.3 ... - 0.6 bar
 Water consumption: ~1.2 ±0.15 litres/flush (water pressure: 4 bar, vacuum: -0.4 bar)
 Air consumption: ~60 ±10 litres/flush (normal atmospheric air)

Connections

Water supply: 1/2" MPT, flexible hose
 Discharge: Discharge connection Ø50, connection sleeve includes two hose clamps to O.D. 48 - 52mm pipes

Shipping data

P/N 6543418 Evac 910, wall model, Prestige
 P/N 6547226 Evac 910, wall model, Prestige Soft Closing:
 Net weight: 20.8 kg
 Shipping weight: 23.1 kg
 Shipping volume: 0.168m³

P/N 6543419 Evac 910, wall model, Mosaik:
 Net weight: 17.7 kg
 Shipping weight: 19.7 kg
 Shipping volume: 0.168m³

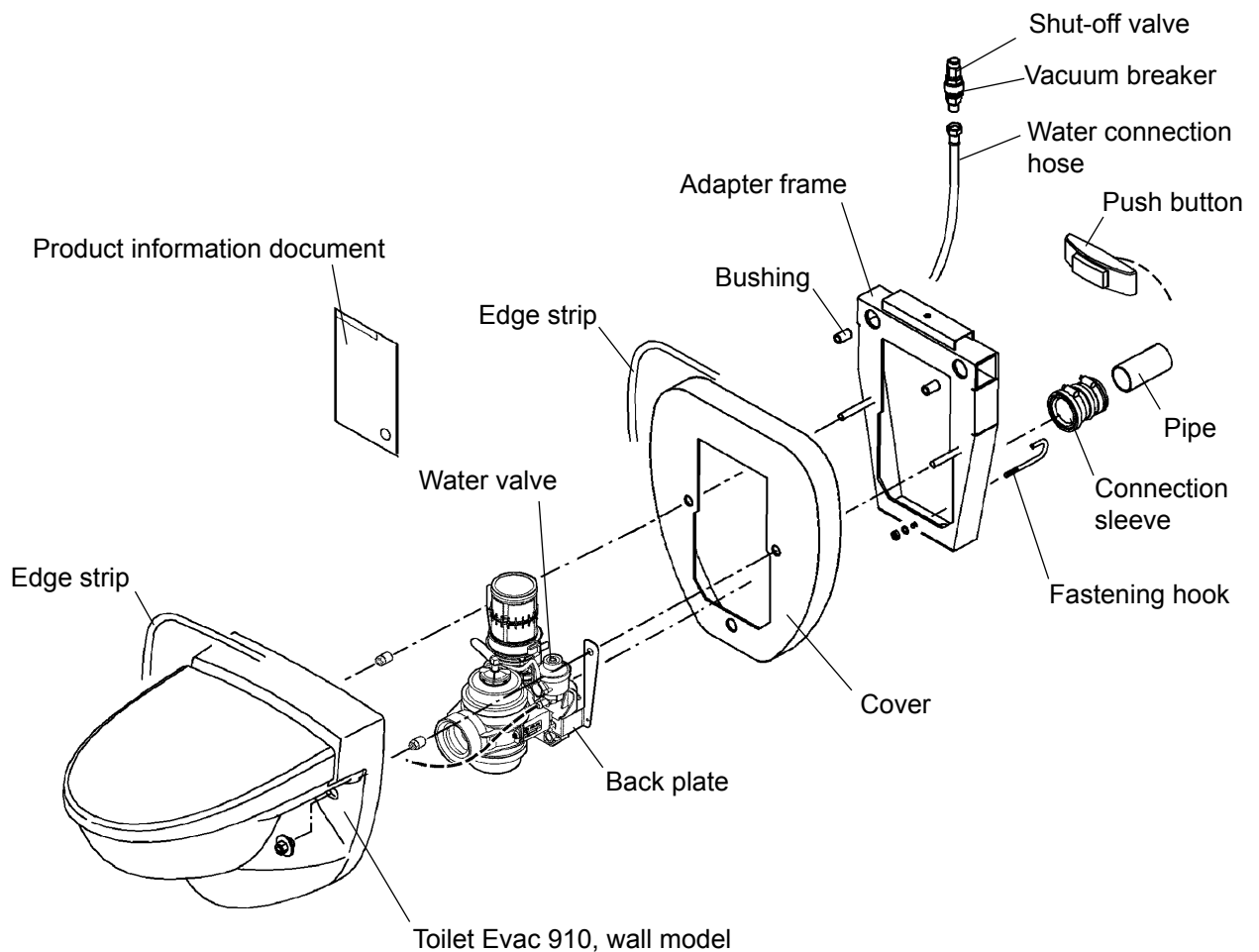
VACUUM TOILET

6542544 EVACINSHINE TOILET COMPLETE WITH EVAC 910, WALL MODEL, PRESTIGE TO REPLACE IFÖ TOILETS

6542545 EVACINSHINE TOILET COMPLETE WITH EVAC 910, WALL MODEL, MOSAIK TO REPLACE IFÖ TOILETS

6452548 EVACINSHINE TOILET COMPLETE WITH EVAC 910, WALL MODEL, PRESTIGE SOFT CLOSING TO REPLACE IFÖ TOILETS

EvacInshine toilet complete with Evac 910, wall model to replace IFÖ toilets

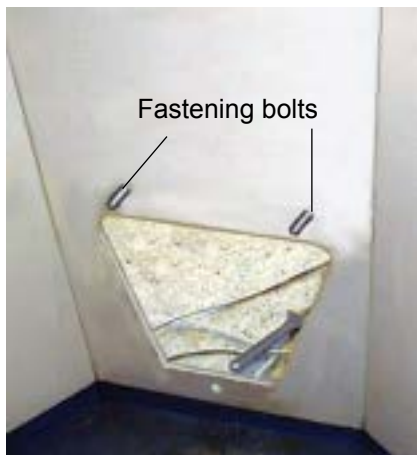


VACUUM TOILET

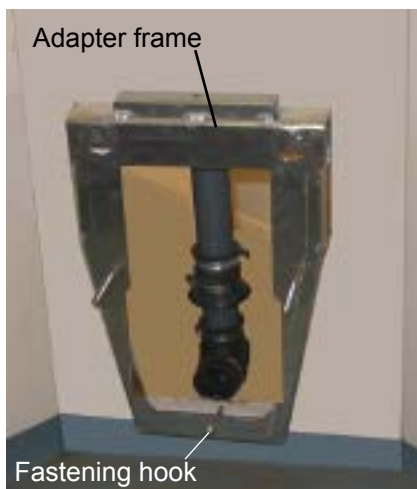
- 6542544 EVACINSHINE TOILET COMPLETE WITH EVAC 910, WALL MODEL, PRESTIGE TO REPLACE IFÖ TOILETS
- 6542545 EVACINSHINE TOILET COMPLETE WITH EVAC 910, WALL MODEL, MOSAIK TO REPLACE IFÖ TOILETS
- 6452548 EVACINSHINE TOILET COMPLETE WITH EVAC 910, WALL MODEL, PRESTIGE SOFT CLOSING TO REPLACE IFÖ TOILETS



- Remove the old IFÖ-toilet.



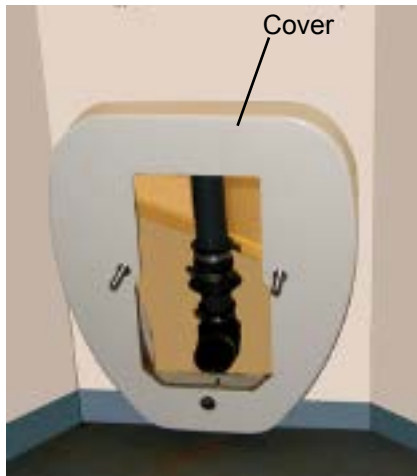
- Leave the old fastening bolts on the wall.



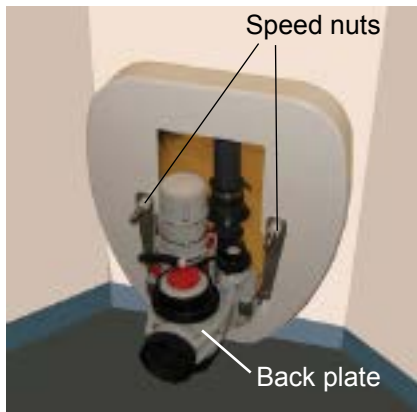
- Install the adapter frame on the wall using the bushings, and the old fastening bolts, and the nuts.
- Install the fastening hook.

VACUUM TOILET

- 6542544 EVACINSHINE TOILET COMPLETE WITH EVAC 910, WALL MODEL, PRESTIGE TO REPLACE IFÖ TOILETS
- 6542545 EVACINSHINE TOILET COMPLETE WITH EVAC 910, WALL MODEL, MOSAIK TO REPLACE IFÖ TOILETS
- 6452548 EVACINSHINE TOILET COMPLETE WITH EVAC 910, WALL MODEL, PRESTIGE SOFT CLOSING TO REPLACE IFÖ TOILETS



- Install the cover.



- Install the back plate of the Evac 910 toilet with the speed nuts.



Choose a location to install the push button

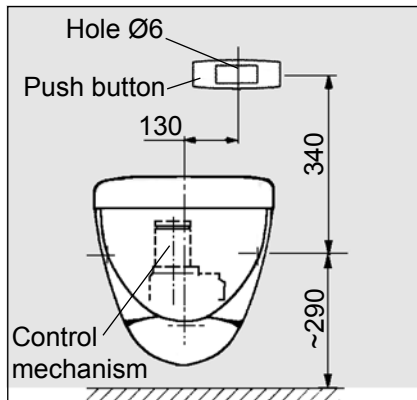
1. The push button on the wall

VACUUM TOILET

6542544 EVACINSHINE TOILET COMPLETE WITH EVAC 910, WALL MODEL, PRESTIGE TO REPLACE IFÖ TOILETS

6542545 EVACINSHINE TOILET COMPLETE WITH EVAC 910, WALL MODEL, MOSAIK TO REPLACE IFÖ TOILETS

6452548 EVACINSHINE TOILET COMPLETE WITH EVAC 910, WALL MODEL, PRESTIGE SOFT CLOSING TO REPLACE IFÖ TOILETS



Recommended place for the push button

The push button installation:

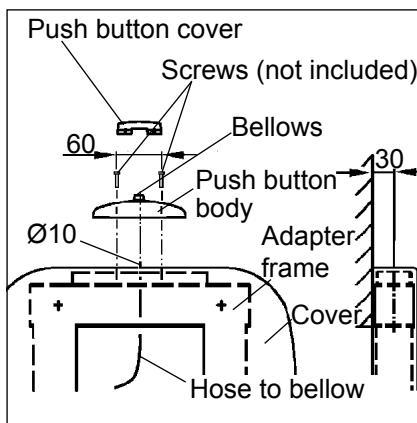
1. Drill a Ø6 hole for the hose on the wall as in the diagram.
2. Connect the hose from the control mechanism to the bellows. The end of the hose may be warmed in order to easy the installation.
3. Install the body of the push button on the wall using screws (not included).
4. Snap the cover of the push button bellows in its place.

! NOTE: Make sure the hose is not flattened after the installation. Air must be able to flow freely.

! NOTE: Make sure the cover does not hit the push button when opened.



2. The push button on the porcelain



The push button installation:

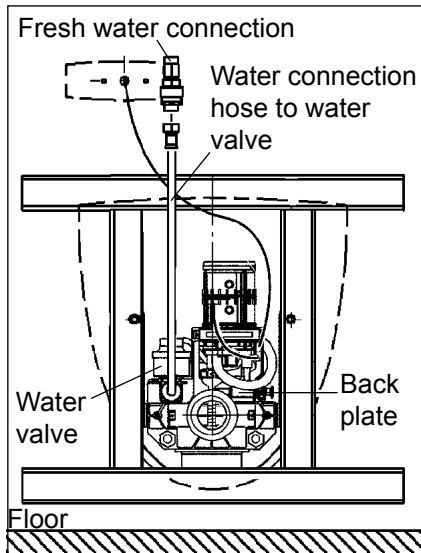
1. Drill a Ø10 hole for the hose on the plastic cover.
2. Connect the hose from the control mechanism to the bellows. The end of the hose may be warmed in order to easy the installation.
3. Install the body of the push button on the cover using screws (not included).
4. Snap the cover of the push button bellows in its place.

! NOTE: Make sure the hose is not flattened after the installation. Air must be able to flow freely.

! NOTE: Make sure the cover does not hit the push button when opened.

VACUUM TOILET

- 6542544 EVACINSHINE TOILET COMPLETE WITH EVAC 910, WALL MODEL, PRESTIGE TO REPLACE IFÖ TOILETS
- 6542545 EVACINSHINE TOILET COMPLETE WITH EVAC 910, WALL MODEL, MOSAIK TO REPLACE IFÖ TOILETS
- 6452548 EVACINSHINE TOILET COMPLETE WITH EVAC 910, WALL MODEL, PRESTIGE SOFT CLOSING TO REPLACE IFÖ TOILETS



- Connect the water hose to the fresh water connection.
(The diagram's angle is from the maintenance space.)



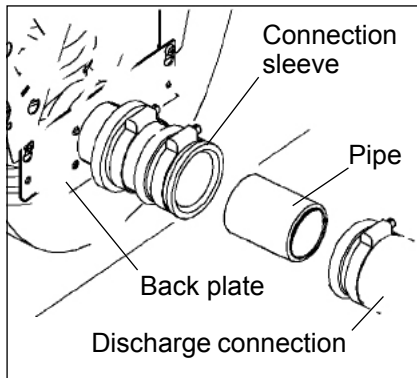
- Install the bowl of the Evac 910 toilet.



- Install the edge strips.

VACUUM TOILET

- 6542544 EVACINSHINE TOILET COMPLETE WITH EVAC 910, WALL MODEL, PRESTIGE TO REPLACE IFÖ TOILETS
- 6542545 EVACINSHINE TOILET COMPLETE WITH EVAC 910, WALL MODEL, MOSAIK TO REPLACE IFÖ TOILETS
- 6452548 EVACINSHINE TOILET COMPLETE WITH EVAC 910, WALL MODEL, PRESTIGE SOFT CLOSING TO REPLACE IFÖ TOILETS

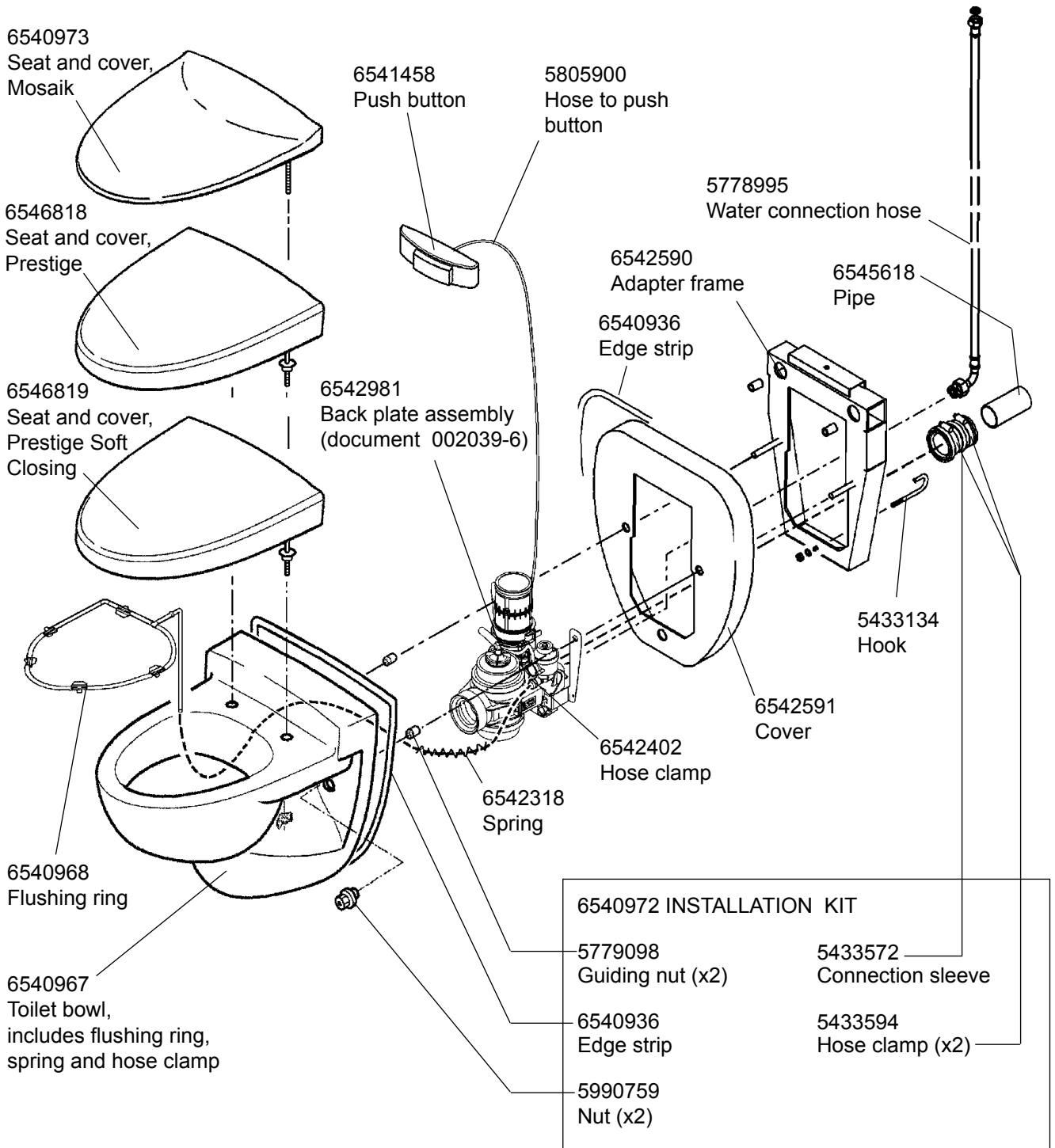


- Add the pipe piece between the connection sleeve and the discharge connection.

- Test function to locate leaks.

VACUUM TOILET

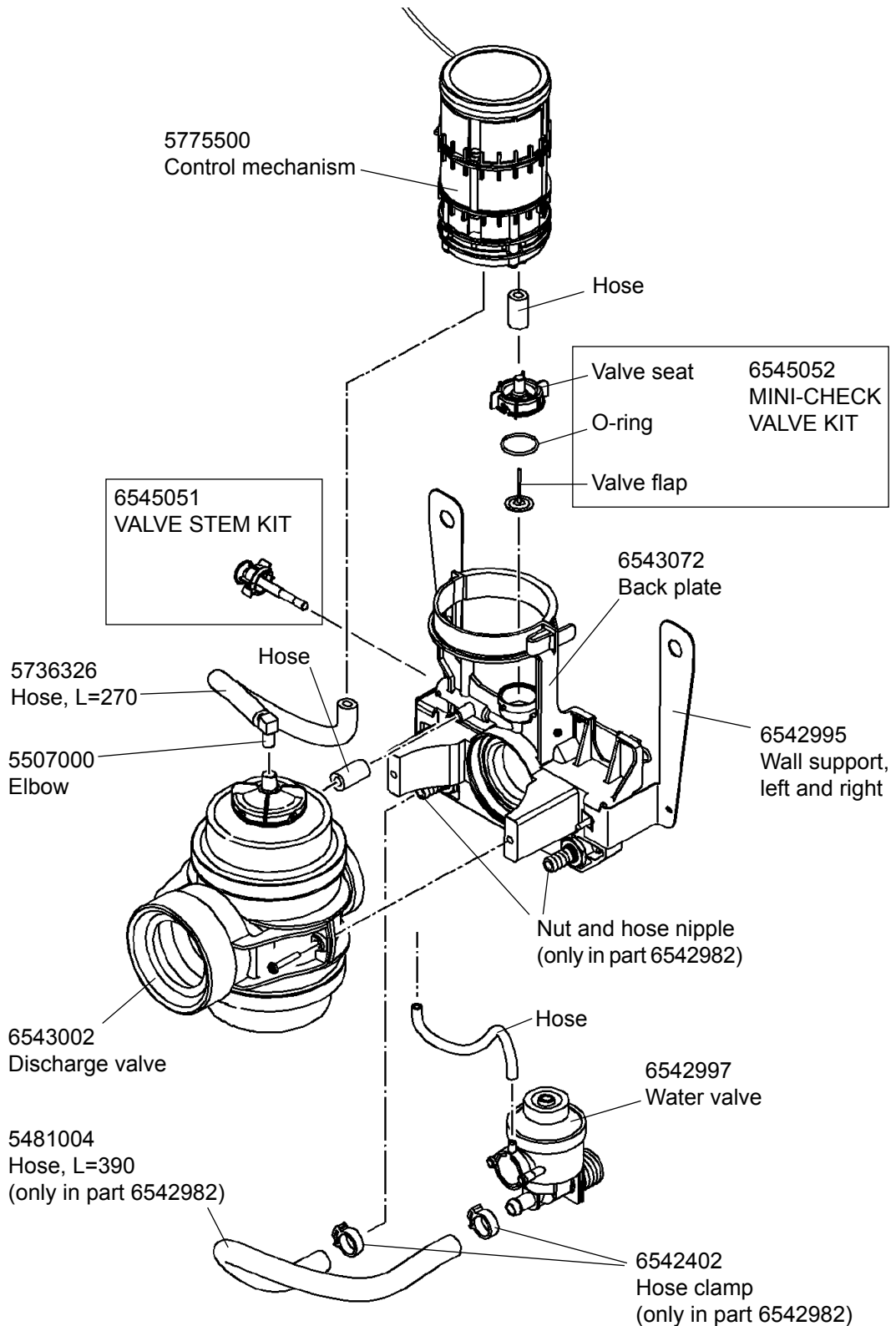
- 6542544 EVACINSHINE TOILET COMPLETE WITH EVAC 910, WALL MODEL, PRESTIGE TO REPLACE IFÖ TOILETS**
- 6542545 EVACINSHINE TOILET COMPLETE WITH EVAC 910, WALL MODEL, MOSAIK TO REPLACE IFÖ TOILETS**
- 6452548 EVACINSHINE TOILET COMPLETE WITH EVAC 910, WALL MODEL, PRESTIGE SOFT CLOSING TO REPLACE IFÖ TOILETS**



VACUUM TOILET

6542981 BACK PLATE ASSEMBLY, EVAC 910 AND 912, WALL MODELS

6542982 BACK PLATE ASSEMBLY, EVAC 910, WALL MODELS USPH

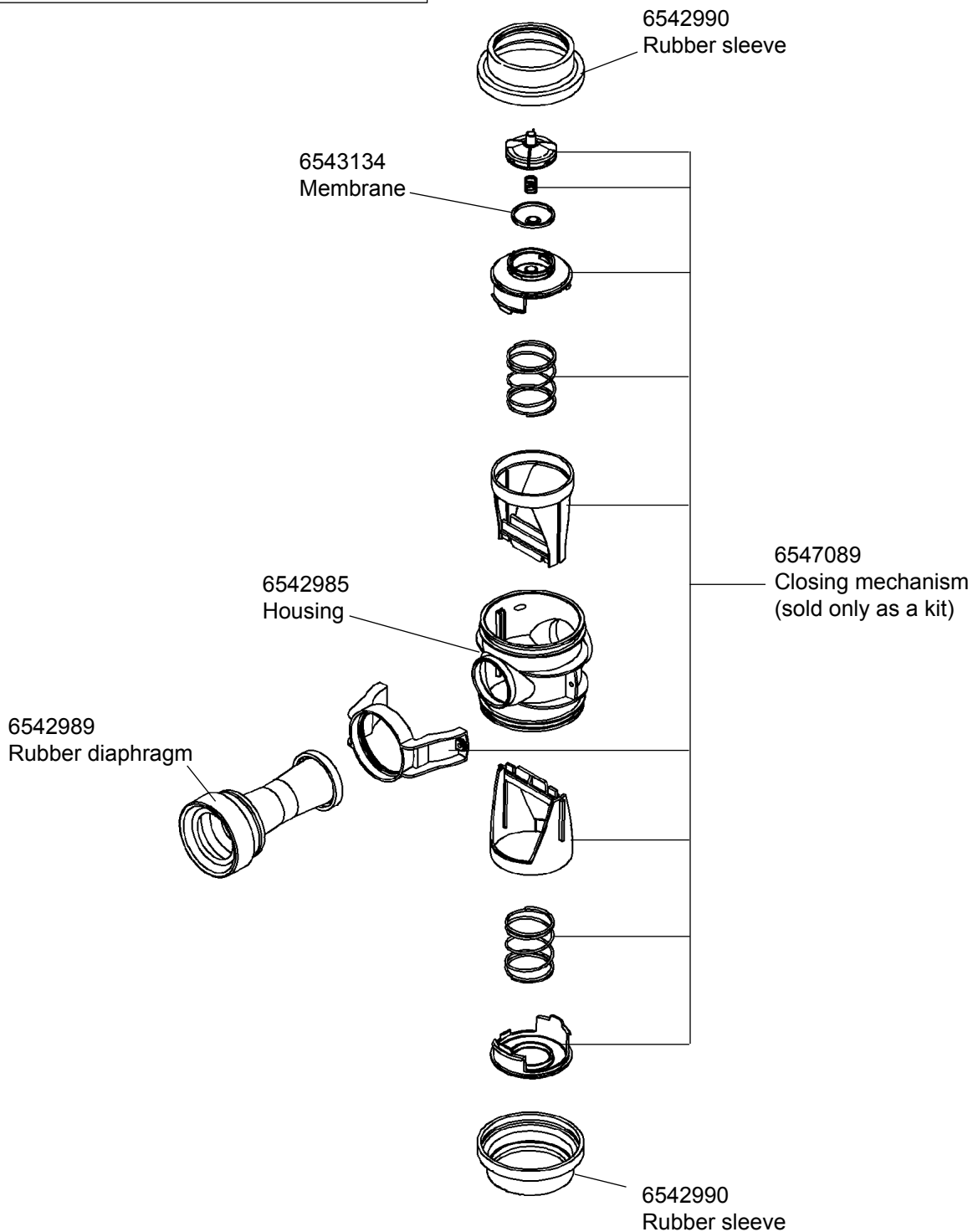


VACUUM TOILET

6543002 DISCHARGE VALVE

6545041 RECOMMENDED SPARE PART KIT:

- 1 x 6542989 Rubber diaphragm
- 2 x 6542990 Rubber sleeve
- 1 x 6543134 Membrane

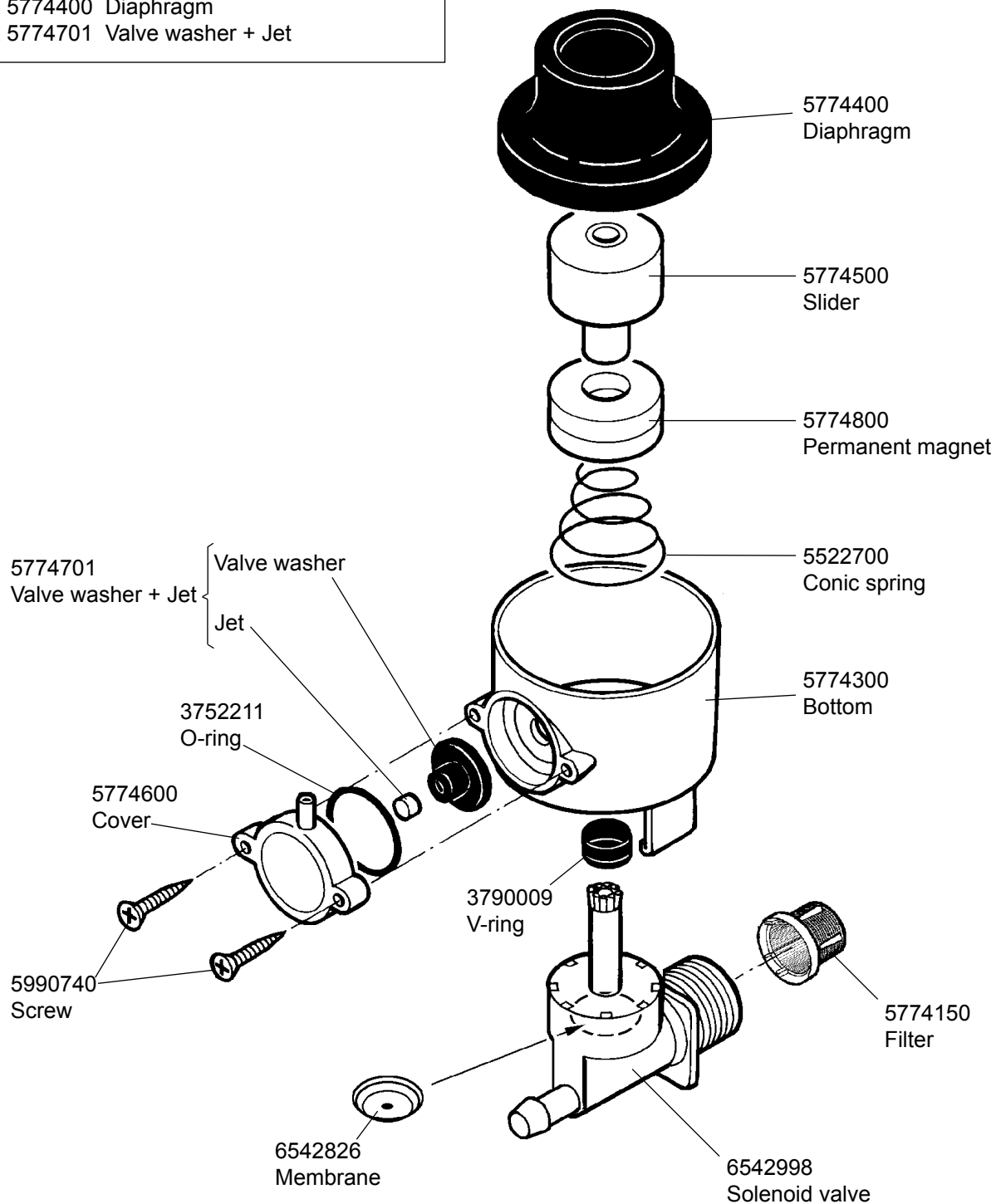


VACUUM TOILET

6542997 WATER VALVE

6543030 RECOMMENDED SPARE PART KIT:

- 1 x 3790009 V-ring
- 1 x 5774150 Filter
- 1 x 5774400 Diaphragm
- 1 x 5774701 Valve washer + Jet



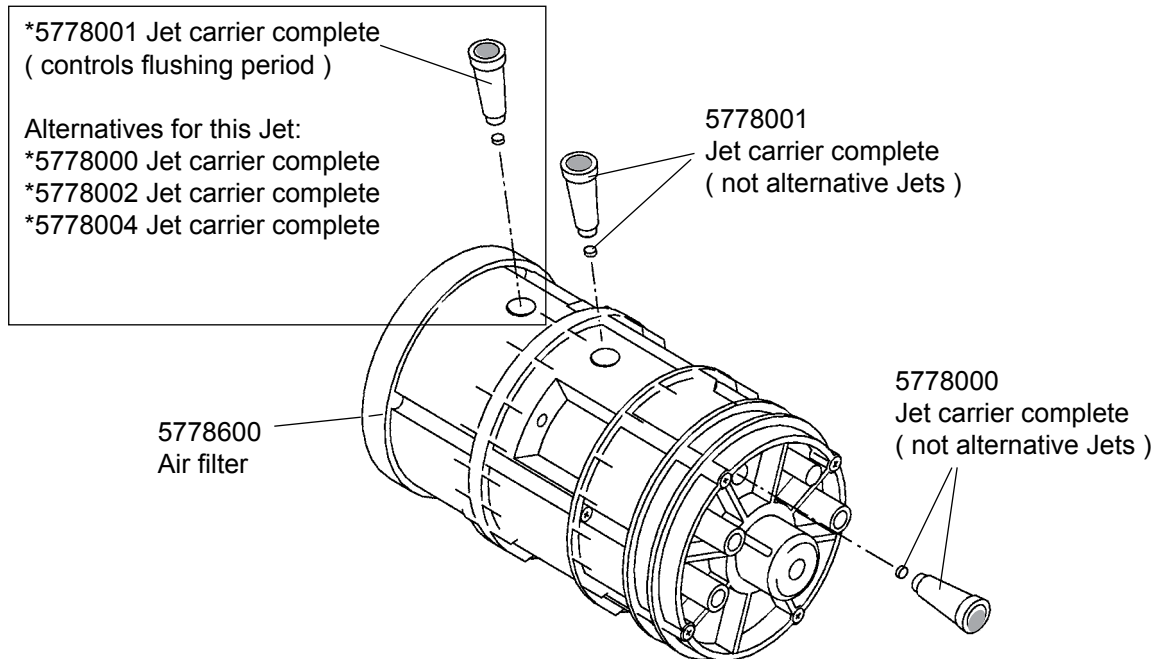
VACUUM TOILET

5775500 CONTROL MECHANISM

5881000 SPARE PART KIT FOR CONTROL MECHANISM (EVAC 90 AND 900 MODEL TOILETS)

6546688 SPARE PART KIT FOR CONTROL MECHANISM (EVAC 910 AND 912 MODEL TOILETS, TOILET WITH AUTOFLUSH UNIT, STAINLESS STEEL TOILET, SQUATTING TOILET)

P/N 5775500 Control mechanism



* Jet carrier identification:

P/N	Colour	Size	Effect
5778004	Yellow	0.20	Extra long flushing period
5778000	White	0.30	Long flushing period
5778001	Blue	0.40	Normal flushing period
5778002	Red	0.50	Short flushing period

! NOTE: See also the operation and maintenance documents:

Doc. 3:111E, Control mechanism (Evac 90 and 900 model toilets)

Doc. 002032-3, Control mechanism (Evac 910 model toilets)

Doc. 002474-2, Control mechanism (Evac 910 Stainless steel toilets)

Doc. 3:01103C, Control mechanism (Evac 910, Squatting toilet)

P/N 5881000 Spare part kit (Evac 90 and 900 model toilets)

P/N	Description	Pcs
5778600	Air filter	1
5778001	Jet carrier complete	2
5778000	Jet carrier complete	1
5778700	Filter	1
5959902	Mini-check valve	1

P/N 6546688 Spare part kit

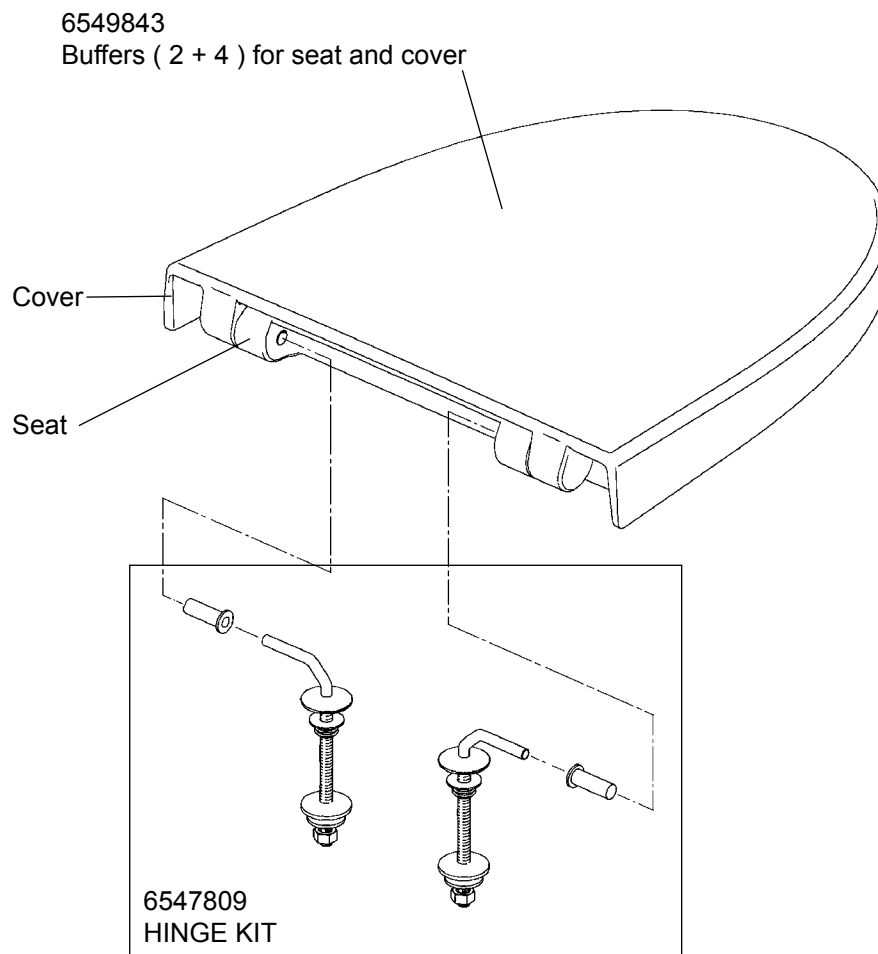
(Evac 910 and 912 model toilets, toilet with Autoflush unit, Stainless steel toilet, Squatting toilet)

P/N	Description	Pcs
5778600	Air filter	1
5778001	Jet carrier complete	2
5778000	Jet carrier complete	1
5778700	Filter	1
6545052	Mini-check valve kit	1

VACUUM TOILET

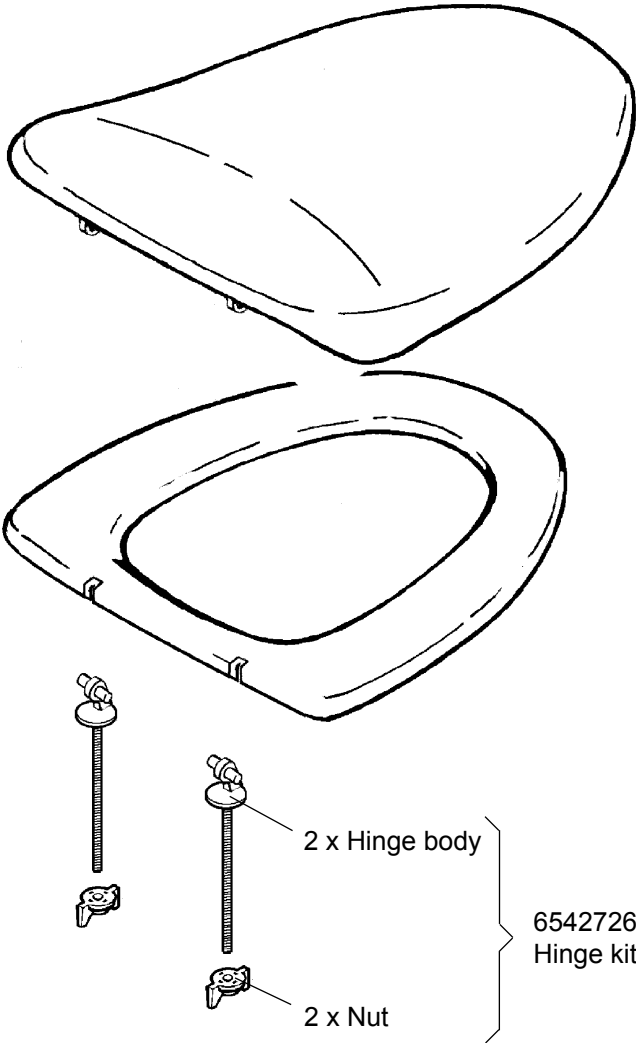
6546818 PRESTIGE, SEAT AND COVER

Prestige seat and cover fulfills ANSI Z124.5 - 1997 (Plastic Toilet Seats (Water closet)) requirements.



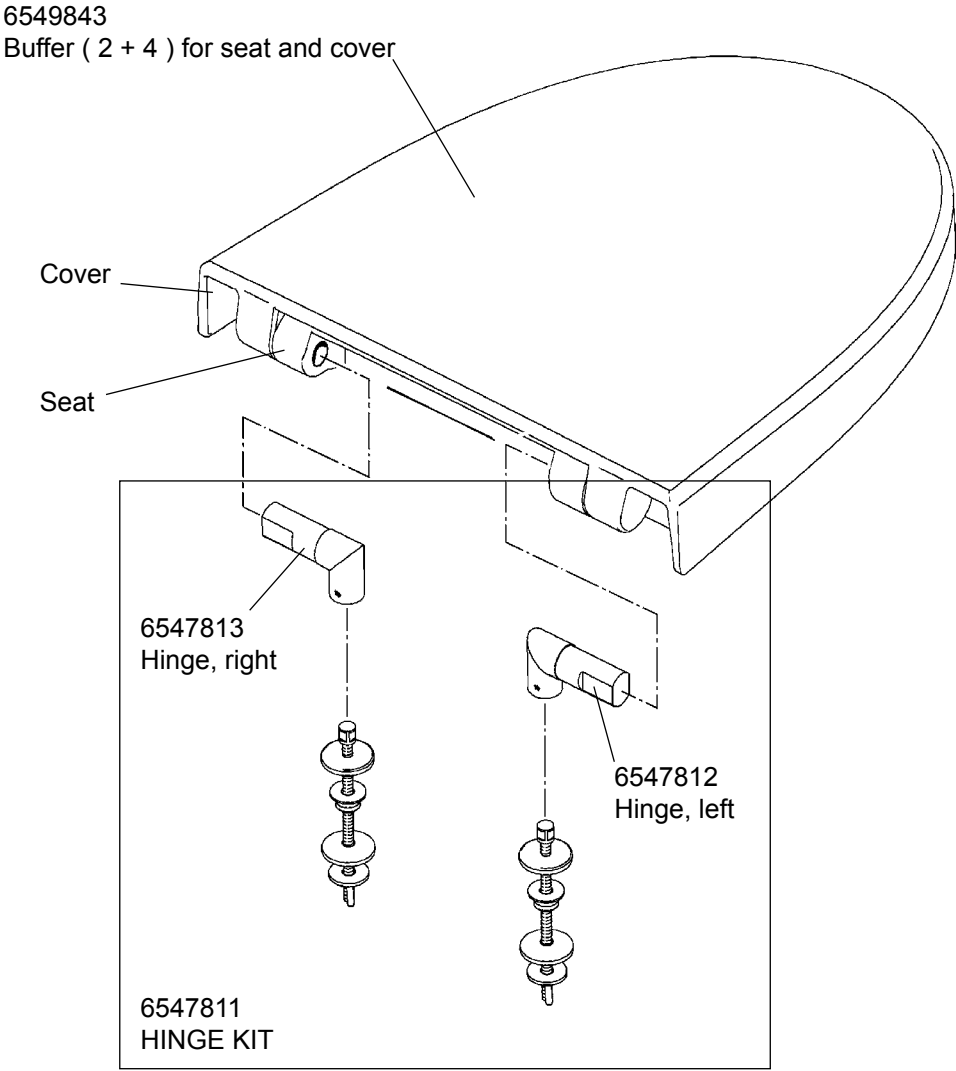
VACUUM TOILET

6540973 SEAT AND COVER, MOSAIK FOR EVAC 900 AND 910 WALL MODEL TOILETS



VACUUM TOILET

6546819 PRESTIGE SOFT CLOSING, SEAT AND COVER



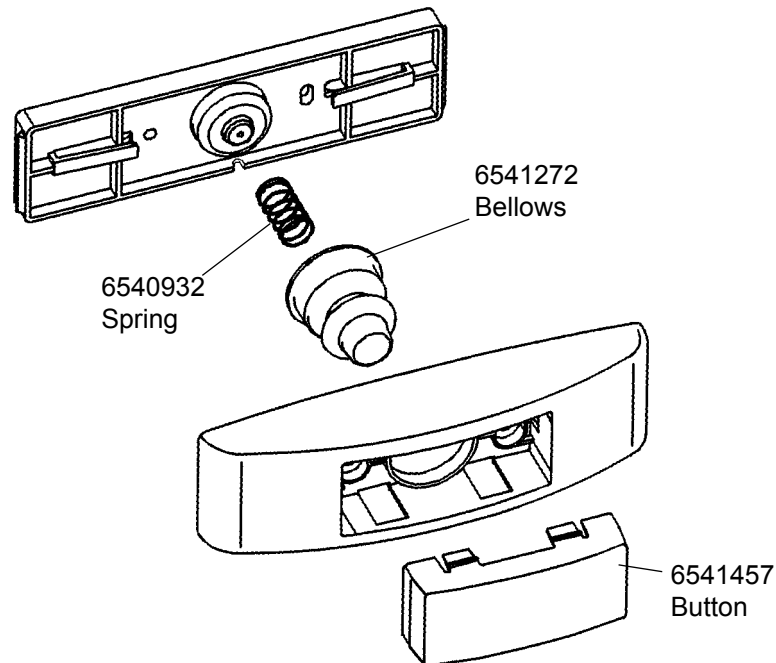
VACUUM TOILET

6541458 PNEUMATIC PUSH BUTTON (EVAC 900, 910 AND 912 WALL MODEL TOILETS)

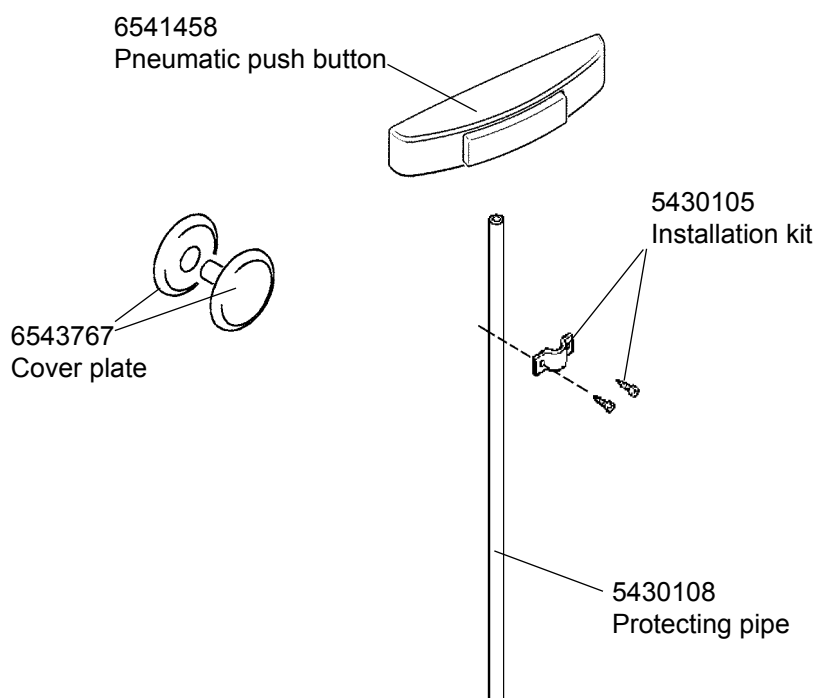
6541057 OPTIONAL PNEUMATIC PUSH BUTTON KIT (EVAC 900 AND 910 FLOOR MODEL TOILETS)

P/N 6541458 Pneumatic push button

P/N 6540917 is replaced by P/N 6541458



P/N 6541057 Optional pneumatic push button kit



VACUUM TOILET

6545825 EVAC 910, FLOOR MODEL, STAR

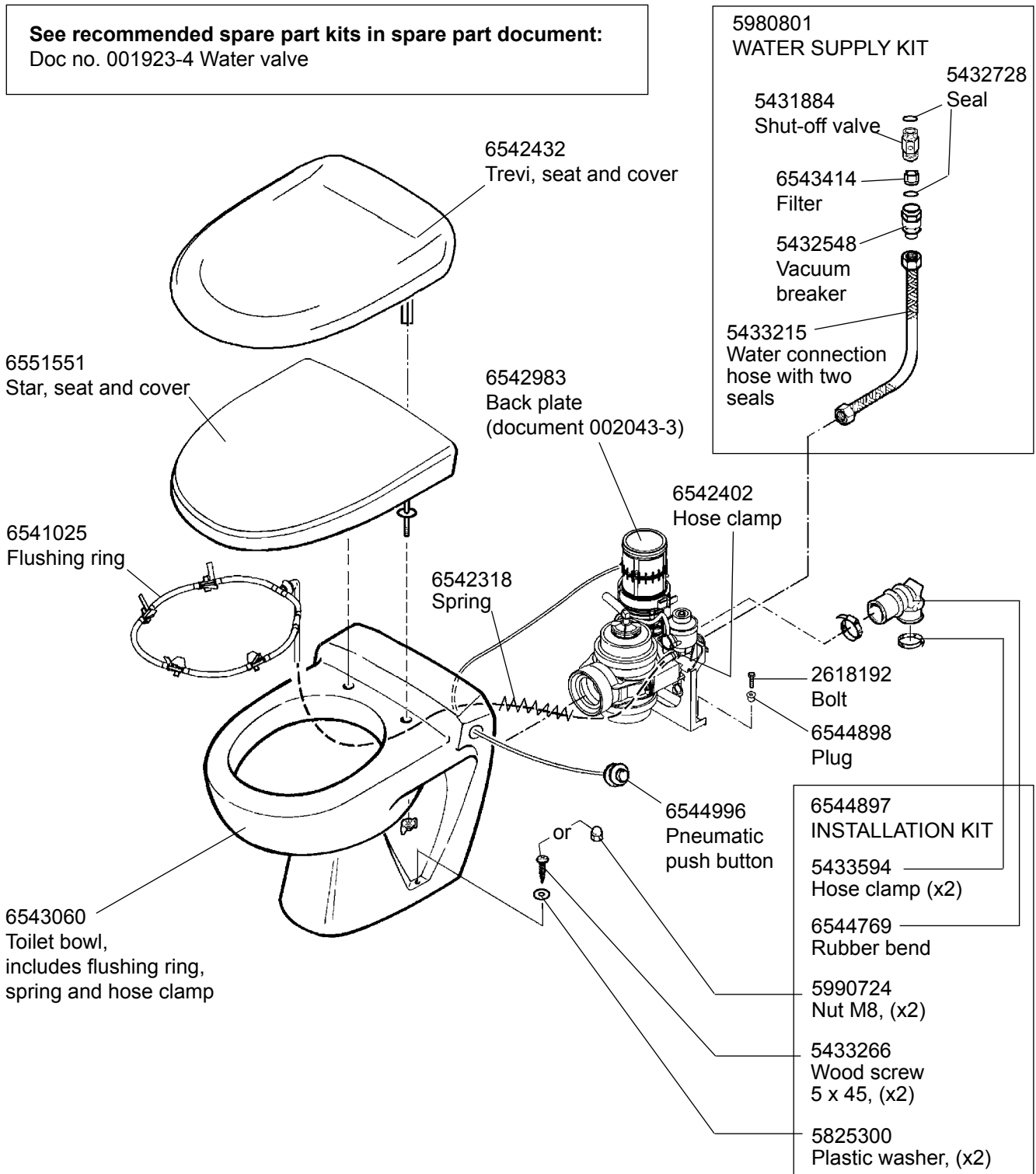
6545826 EVAC 910, FLOOR MODEL, TREVI

P/N 6545825 includes Star, seat and cover (P/N 6551551)

P/N 6545826 includes Trevi, seat and cover (P/N 6542432)

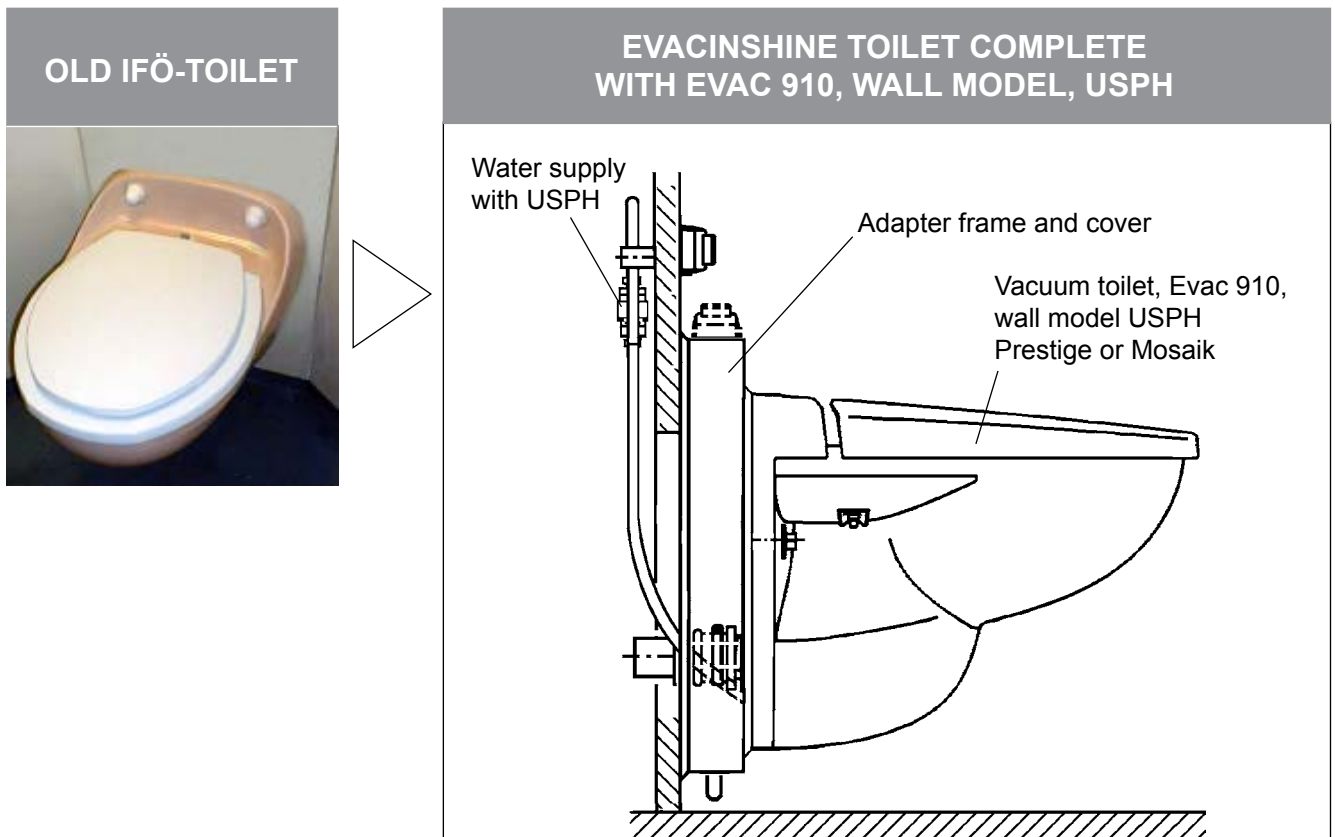
P/N 6541922 Silent, seat and cover is replaced by P/N 6551551 Star, seat and cover

See recommended spare part kits in spare part document:
Doc no. 001923-4 Water valve



EVACINSHINE TOILET COMPLETE WITH EVAC 910, WALL MODEL, USPH TO REPLACE IFÖ TOILETS

P/N 6542546 (PRESTIGE) AND P/N 6542547 (MOSAİK)





VACUUM TOILET

- 6542546 EVACINSHINE TOILET COMPLETE WITH EVAC 910, WALL MODEL, USPH, PRESTIGE
TO REPLACE IFÖ TOILETS
- 6542547 EVACINSHINE TOILET COMPLETE WITH EVAC 910, WALL MODEL, USPH, MOSAIK
TO REPLACE IFÖ TOILETS

Table of contents

Table of contents..... Doc no. 9:00056M

Technical data:

EvacInshine toilet complete with Evac 910, wall model USPH, Prestige and Mosaik
for IFÖ toilet..... Doc no. 1:01218E

Evac 910, wall model USPH, Prestige and Mosaik..... Doc no. 002513-3

Installation:

EvacInshine toilet complete with Evac 910, wall model USPH, Prestige and Mosaik
for IFÖ toilet..... Doc no. 2:01074E

Spare parts:

EvacInshine toilet complete with Evac 910, wall model USPH, Prestige and Mosaik
for IFÖ toilet..... Doc no. 6:01114G

Back plate assembly, Evac 910, wall models USPH..... Doc no. 002039-6

Discharge valve, Evac 910, wall models..... Doc no. 002038-4

Water valve, Evac 910, wall models..... Doc no. 001923-4

Control mechanism, Evac 910, wall models and spare part kit for the control mechanism..... Doc no. 6:132N

Seat and cover, Prestige Doc no. 002510-5

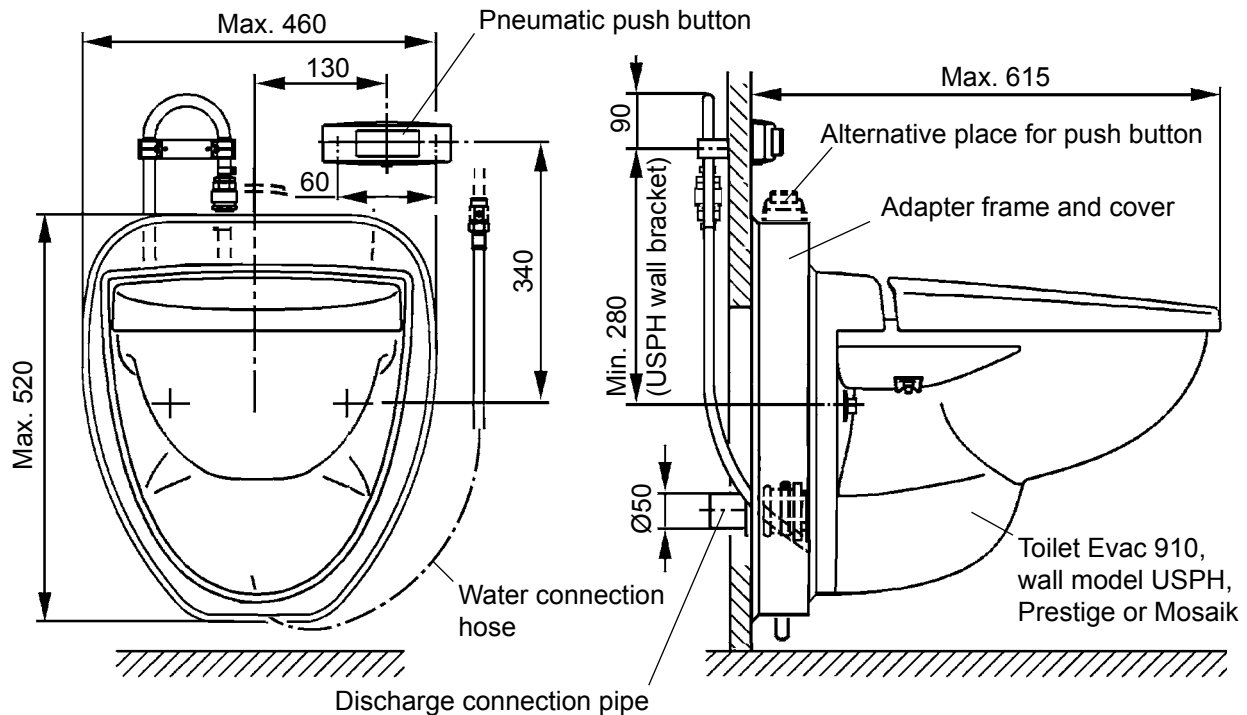
Seat and cover, Mosaik Doc no. 6:01019G

Pneumatic push button, Evac 910, wall models..... Doc no. 6:01012M

VACUUM TOILET

6542546 EVACINSHINE TOILET COMPLETE WITH EVAC 910, WALL MODEL USPH, PRESTIGE TO REPLACE IFÖ TOILETS

6542547 EVACINSHINE TOILET COMPLETE WITH EVAC 910, WALL MODEL USPH, MOSAIK TO REPLACE IFÖ TOILETS



P/N 6542546 (consist of): P/N 6543420 Evac 910, wall model USPH, Prestige (See doc. 002513-3)
 Adapter frame and cover
 Fastening hook
 Pipe
 Water connection hose
 Edge strip
 Product information document

P/N 6542547 (consist of): P/N 6543421 Evac 910, wall model USPH, Mosaik (See doc. 002513-3)
 Adapter frame and cover
 Fastening hook
 Pipe
 Water connection hose
 Edge strip
 Product information document

Materials
 Adapter frame: Al, DIN1028
 Cover: PVC
 Pipe: PVC

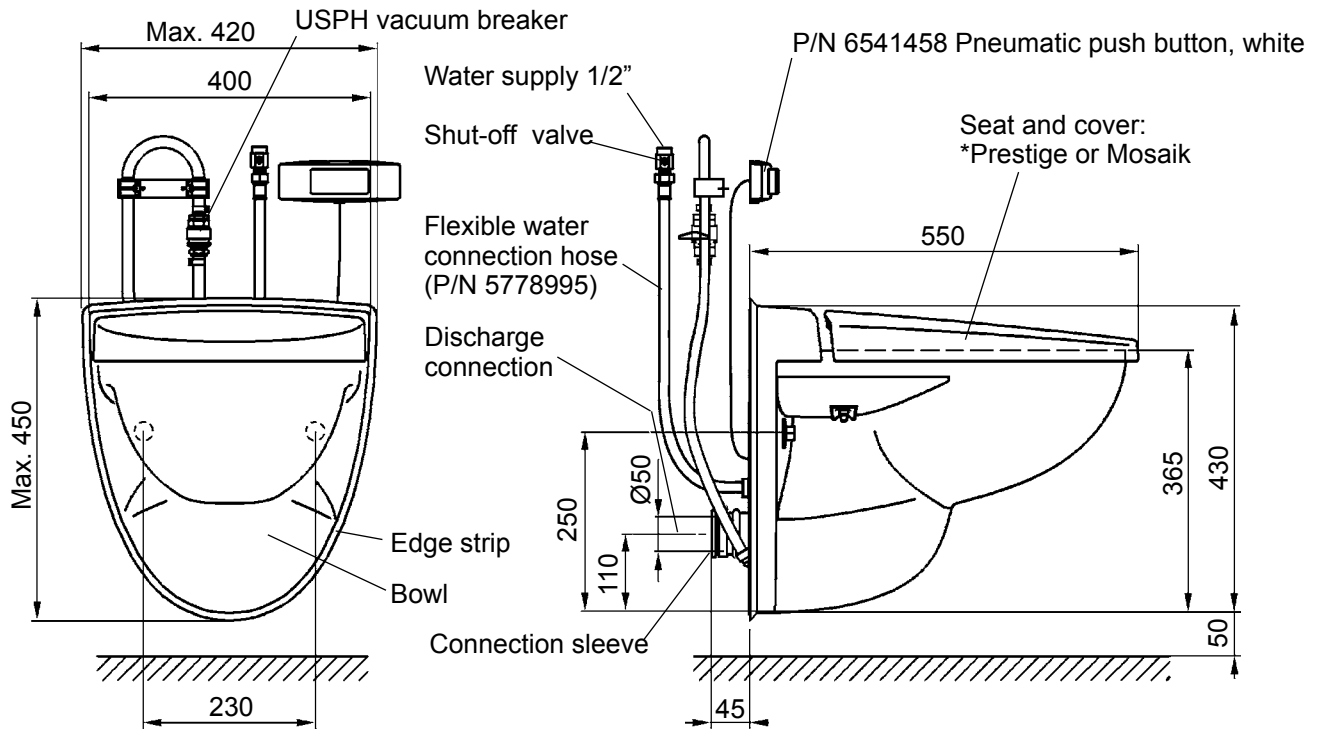
Shipping data
 P/N 6543420 EvacInshine toilet complete:
 Net weight: 25 ±0.5kg
 Shipping weight: 28.2 ±0.5kg
 Shipping volume: 0.168m³

P/N 6543421 EvacInshine toilet complete:
 Net weight: 22 ±0.5kg
 Shipping weight: 25.3 ±0.5kg
 Shipping volume: 0.168m³

VACUUM TOILET

6543420 EVAC 910, WALL MODEL USPH, PRESTIGE, WHITE

6543421 EVAC 910, WALL MODEL USPH, MOSAIK, WHITE



* Prestige seat and cover fulfill ANSI Z124.5 - 1997 [Plastic Toilet (Water closet) Seats] requirements.

Materials

Bowl: White vitreous china
 Seat; *Prestige: UF-S, Mosaik: PP
 Cover; *Prestige: UF-S, Mosaik: PP
 Pneumatic push button: White plastic, ABS
 Discharge valve; plastic parts: PP, rubber parts: NR

Operating data

Water pressure: 3 - 10 bar
 Operating vacuum: -0.3 ... - 0.6 bar
 Water consumption: ~1.2 ±0.15 litres/flush (water pressure: 4 bar, vacuum: -0.4 bar)
 Air consumption: ~ 60 ±10 litres/flush (normal atmospheric air)

Connections

Water supply with USPH: 1/2" MPT, flexible hose
 Discharge: Discharge connection Ø50, connection sleeve includes two hose clamps to O.D. 48 - 52mm pipes

Shipping data

P/N 6543420 Evac 910, wall model USPH, Prestige
 Net weight: 21.6 ±0.5kg
 Shipping weight: 25.1 ±0.5kg
 Shipping volume: 0.168m³

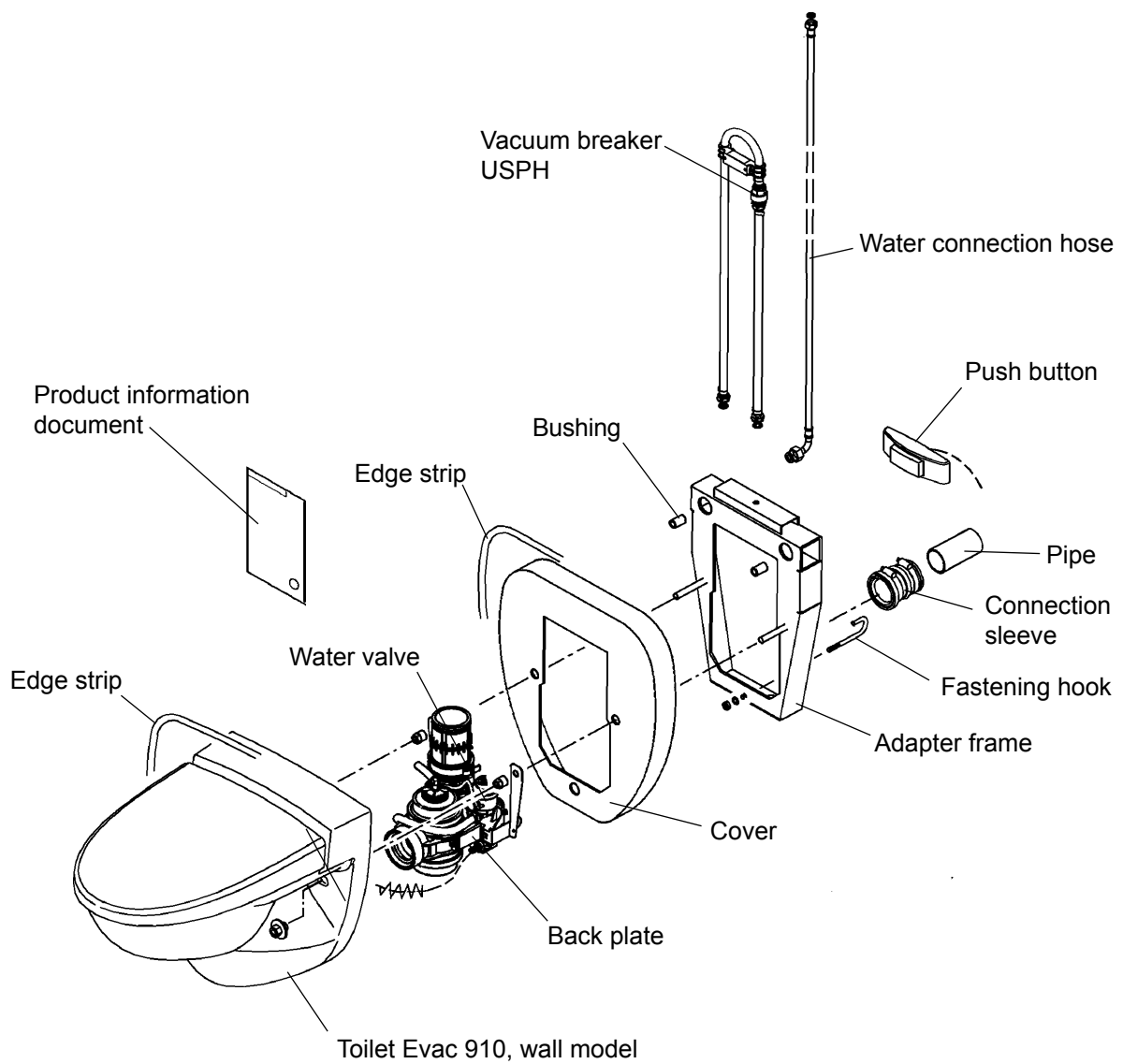
P/N 6543421 Evac 910, wall model USPH, Mosaik:
 Net weight: 18.6 ±0.5kg
 Shipping weight: 20.6 ±0.5kg
 Shipping volume: 0.168m³

VACUUM TOILET

6542546 EVACINSHINE TOILET COMPLETE WITH EVAC 910, WALL MODEL USPH PRESTIGE FOR IFÖ TOILET

6542547 EVACINSHINE TOILET COMPLETE WITH EVAC 910, WALL MODEL USPH, MOSAIK FOR IFÖ TOILET

EvacInshine toilet complete with Evac 910, wall model USPH
to replace IFÖ toilets



VACUUM TOILET

6542546 EVACINSHINE TOILET COMPLETE WITH EVAC 910, WALL MODEL USPH PRESTIGE FOR IFÖ TOILET

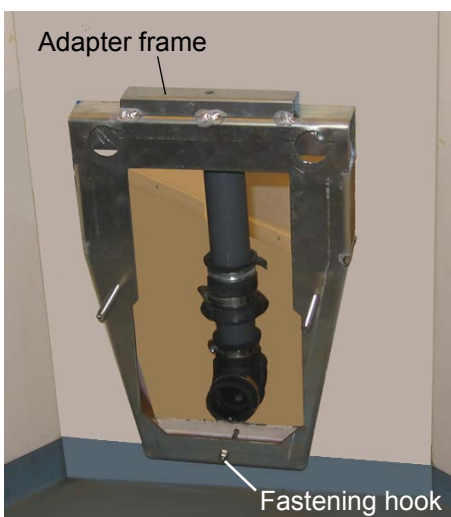
6542547 EVACINSHINE TOILET COMPLETE WITH EVAC 910, WALL MODEL USPH, MOSAIK FOR IFÖ TOILET



- Remove the old IFÖ-toilet.



- Leave the old fastening bolts on the wall.

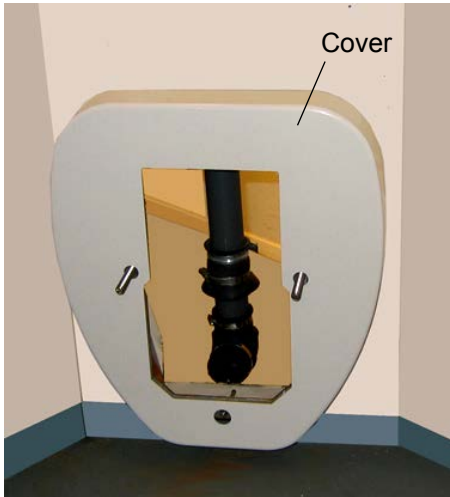


- Install the adapter frame on the wall using the bushings, the old fastening bolts and the nuts.
- Install the fastening hook.

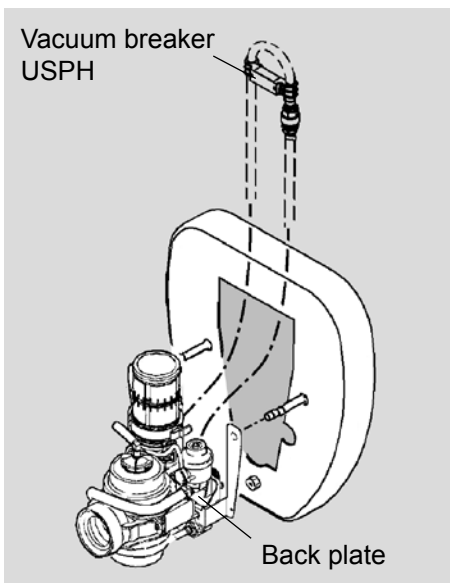
VACUUM TOILET

6542546 EVACINSHINE TOILET COMPLETE WITH EVAC 910, WALL MODEL USPH PRESTIGE FOR IFÖ TOILET

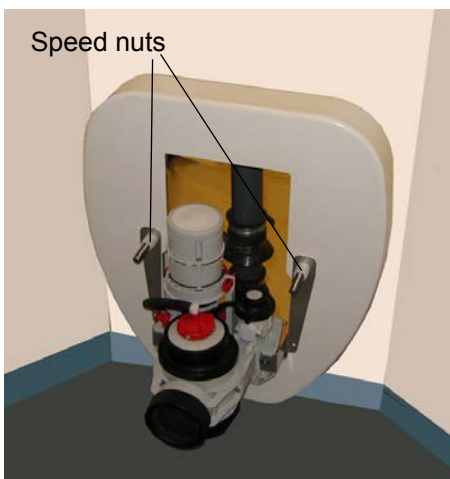
6542547 EVACINSHINE TOILET COMPLETE WITH EVAC 910, WALL MODEL USPH, MOSAIK FOR IFÖ TOILET



- Install the cover.



- Connect the vacuum breaker USPH to the connecting nipples of the back plate.



- Install the back plate of the Evac 910 toilet with the speed nuts.

VACUUM TOILET

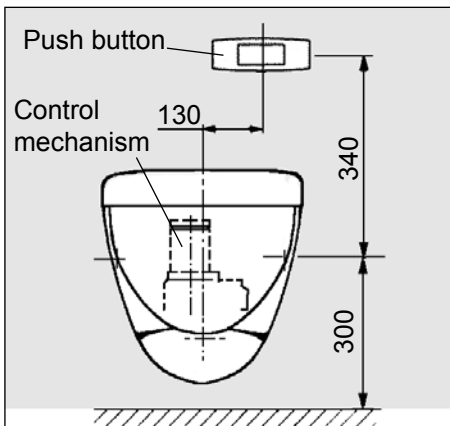
6542546 EVACINSHINE TOILET COMPLETE WITH EVAC 910, WALL MODEL USPH PRESTIGE FOR IFÖ TOILET

6542547 EVACINSHINE TOILET COMPLETE WITH EVAC 910, WALL MODEL USPH, MOSAIK FOR IFÖ TOILET



Choose a location to install the push button

1. The push button installation on the wall



Recommended place for the push button

The push button installation:

1. Drill a $\text{Ø}6$ hole for the hose on the wall as in the diagram.
2. Connect the hose from the control mechanism to the bellows. The end of the hose may be warmed in order to ease the installation.
3. Install the body of the button on the wall using screws (not included).
4. Snap the cover of the push button bellows in its place.

! NOTE: Make sure the hose is not flattened after the installation. Air must be able to flow freely.

! NOTE: Make sure the cover does not hit the push button when opened.



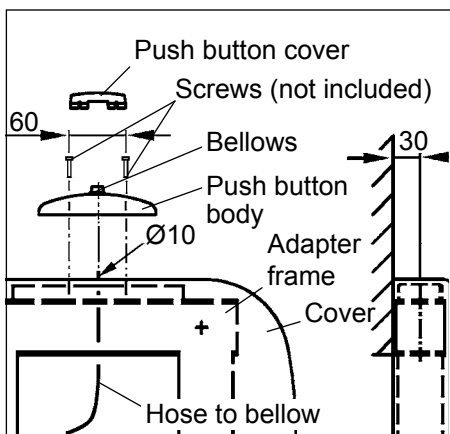
2. The push button on the porcelain

The push button installation:

1. Drill a $\text{Ø}10$ hole for the hose on the plastic cover.
2. Connect the hose from the control mechanism to the bellows. The end of the hose may be warmed in order to ease the installation.
3. Install the body of the push button on the cover using screws (not included).
4. Snap the cover of the push button bellows in its place.

! NOTE: Make sure the hose is not flattened after the installation. The air impulse must always flow freely.

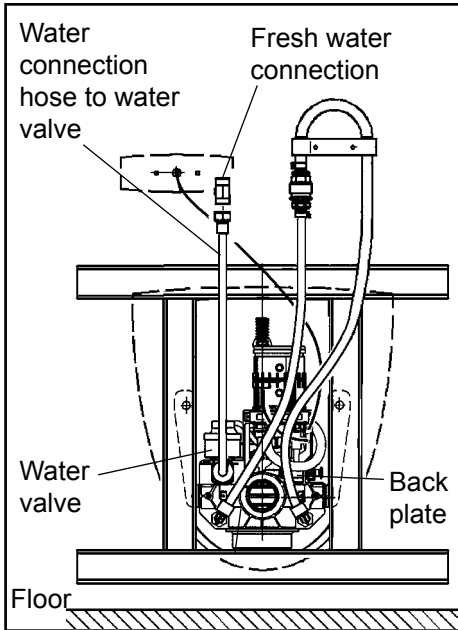
! NOTE: Make sure the cover does not hit the push button when opened.



VACUUM TOILET

6542546 EVACINSHINE TOILET COMPLETE WITH EVAC 910, WALL MODEL USPH PRESTIGE FOR IFÖ TOILET

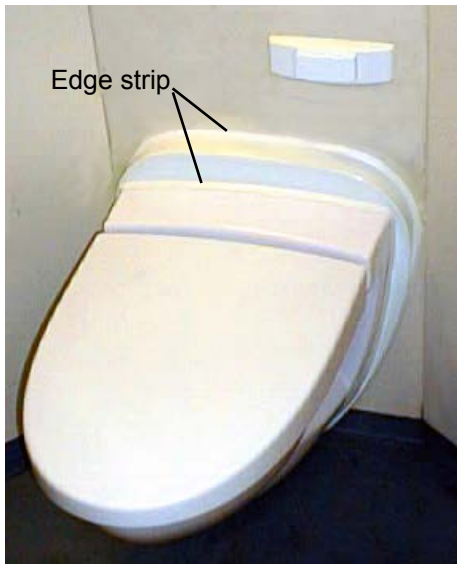
6542547 EVACINSHINE TOILET COMPLETE WITH EVAC 910, WALL MODEL USPH, MOSAIK FOR IFÖ TOILET



- Connect the water hose to the fresh water connection. (The diagram's angle is from the maintenance space)



- Install the bowl of Evac 910 toilet.

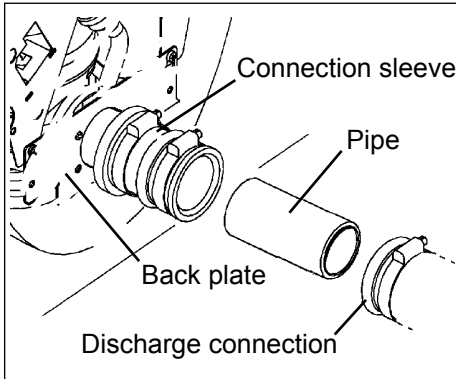


- Install the edge strips.

VACUUM TOILET

6542546 EVACINSHINE TOILET COMPLETE WITH EVAC 910, WALL MODEL USPH PRESTIGE FOR IFÖ TOILET

6542547 EVACINSHINE TOILET COMPLETE WITH EVAC 910, WALL MODEL USPH, MOSAIK FOR IFÖ TOILET

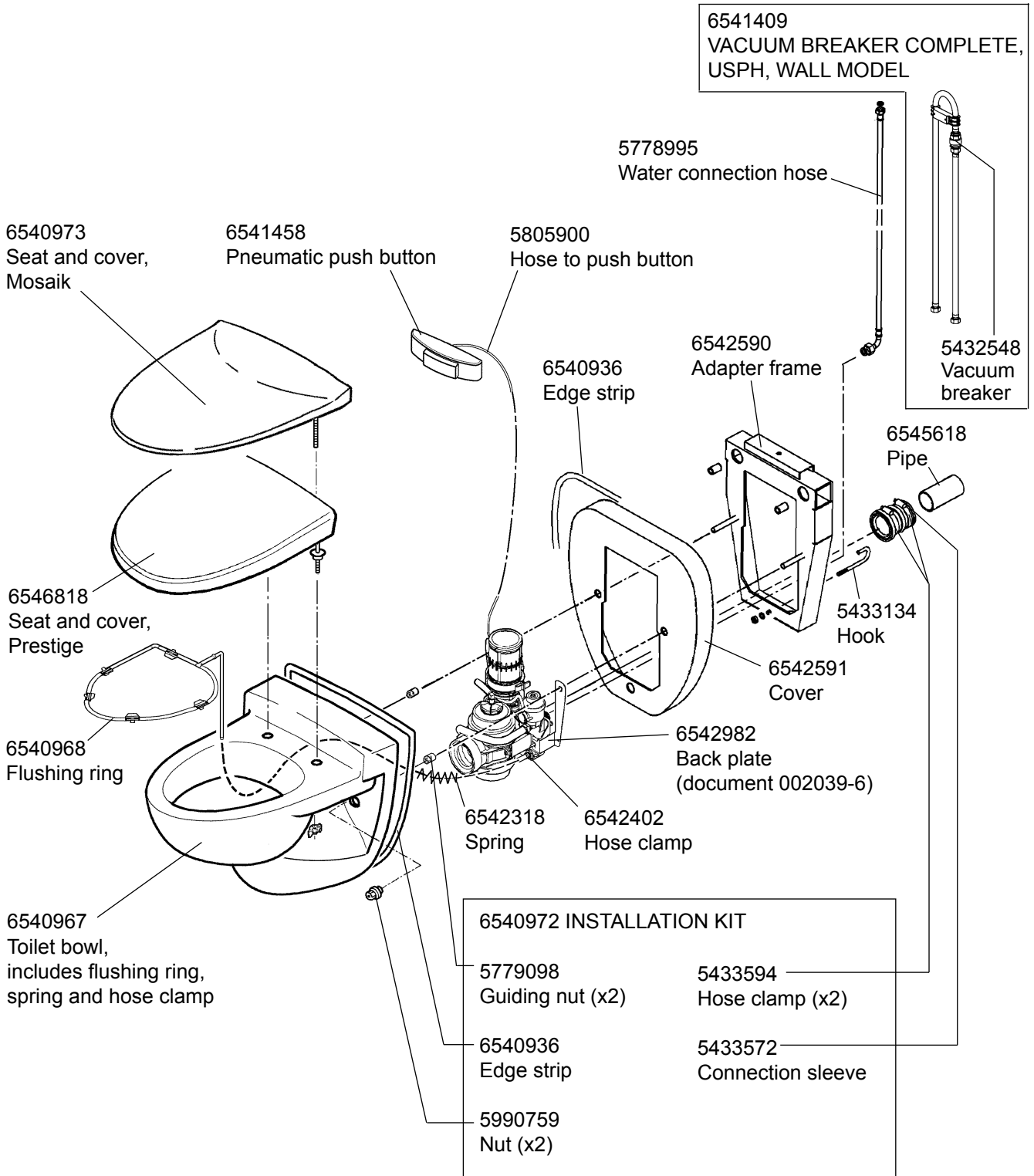


- Add the pipe piece between the connection sleeve and the discharge connection.
- Test function to locate leaks.

VACUUM TOILET

6542546 EVACINSHINE TOILET COMPLETE WITH EVAC 910, WALL MODEL USPH, PRESTIGE TO REPLACE IFÖ TOILETS

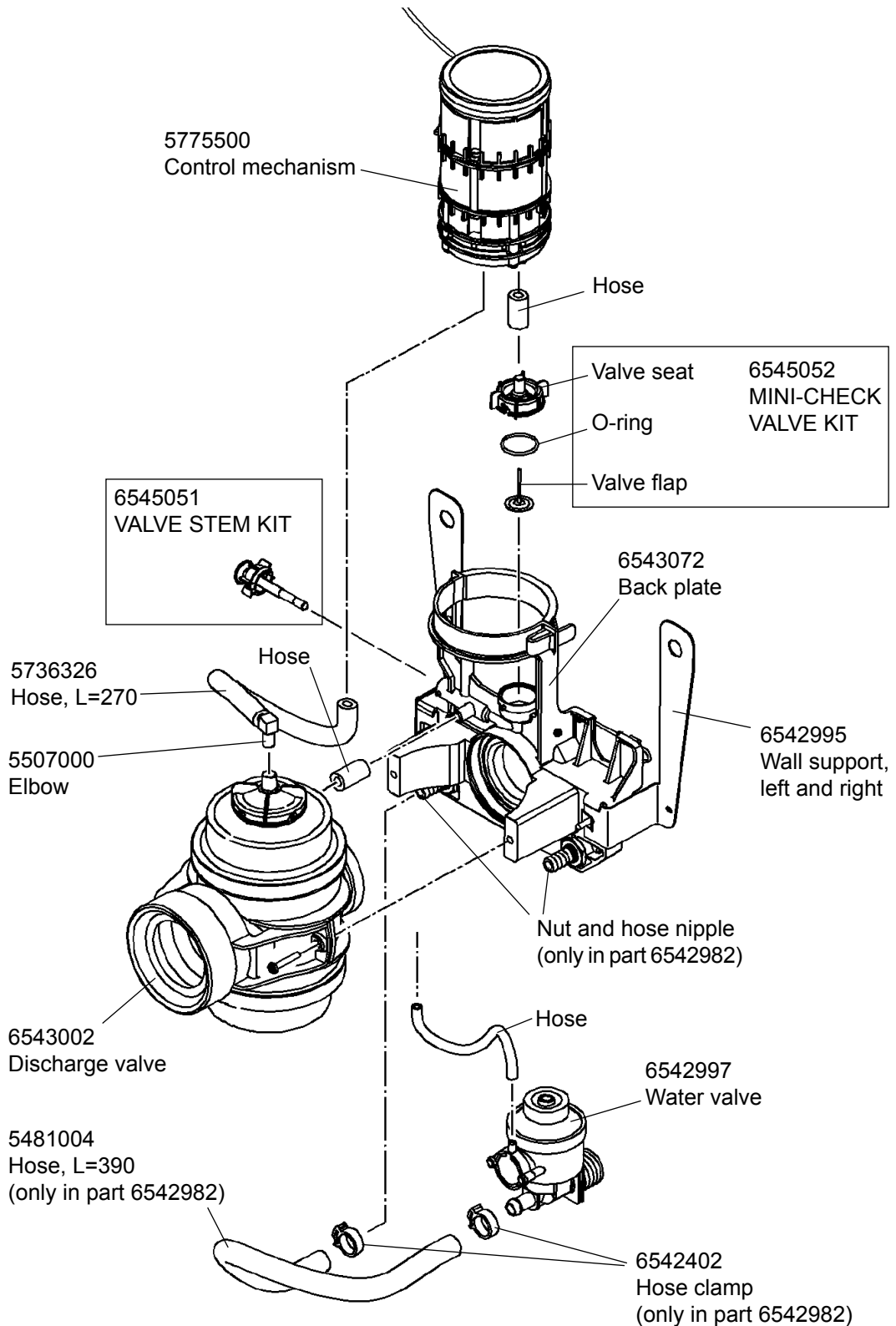
6542547 EVACINSHINE TOILET COMPLETE WITH EVAC 910, WALL MODEL USPH, MOSAIK TO REPLACE IFÖ TOILETS



VACUUM TOILET

6542981 BACK PLATE ASSEMBLY, EVAC 910 AND 912, WALL MODELS

6542982 BACK PLATE ASSEMBLY, EVAC 910, WALL MODELS USPH

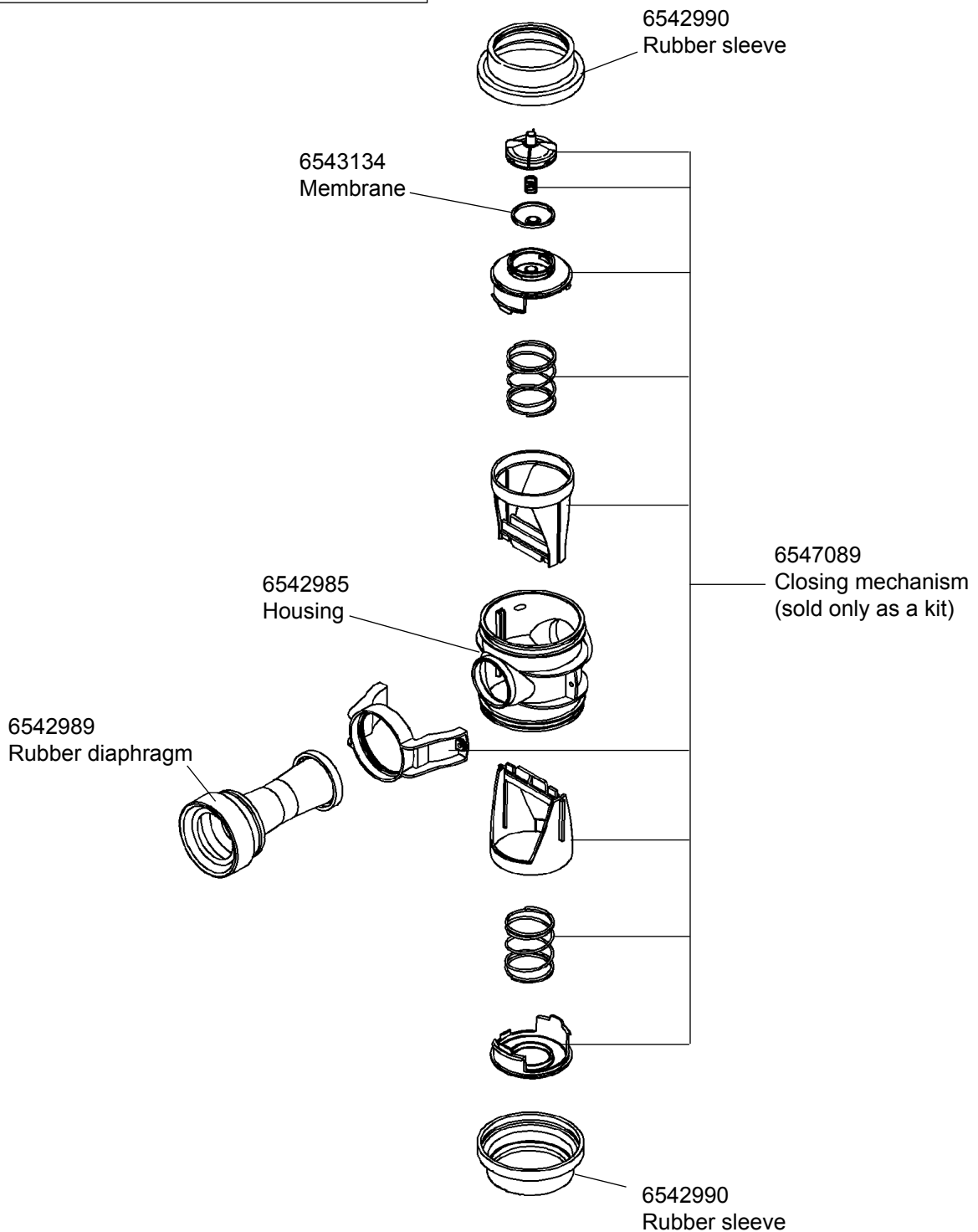


VACUUM TOILET

6543002 DISCHARGE VALVE

6545041 RECOMMENDED SPARE PART KIT:

- 1 x 6542989 Rubber diaphragm
- 2 x 6542990 Rubber sleeve
- 1 x 6543134 Membrane

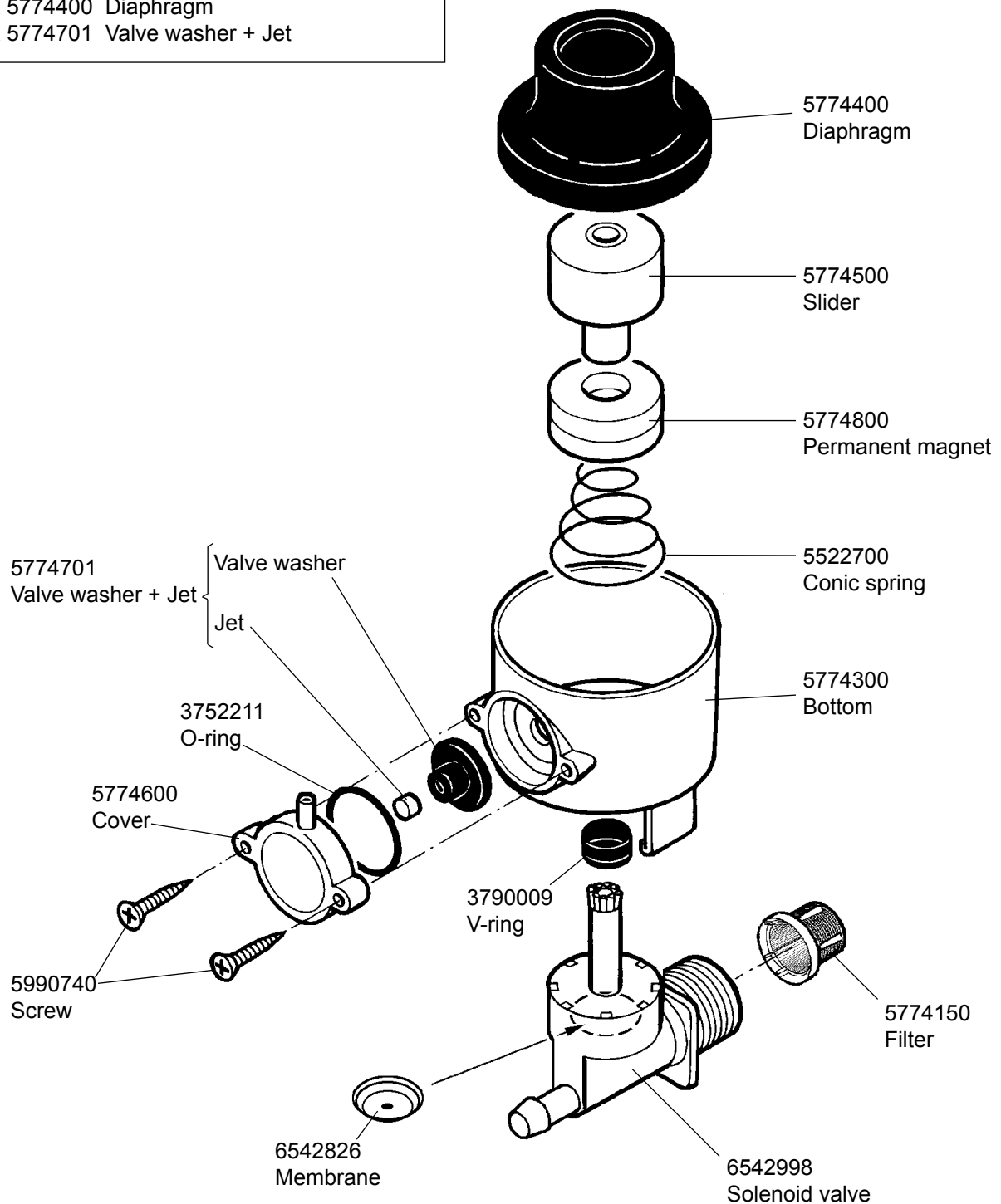


VACUUM TOILET

6542997 WATER VALVE

6543030 RECOMMENDED SPARE PART KIT:

- 1 x 3790009 V-ring
- 1 x 5774150 Filter
- 1 x 5774400 Diaphragm
- 1 x 5774701 Valve washer + Jet



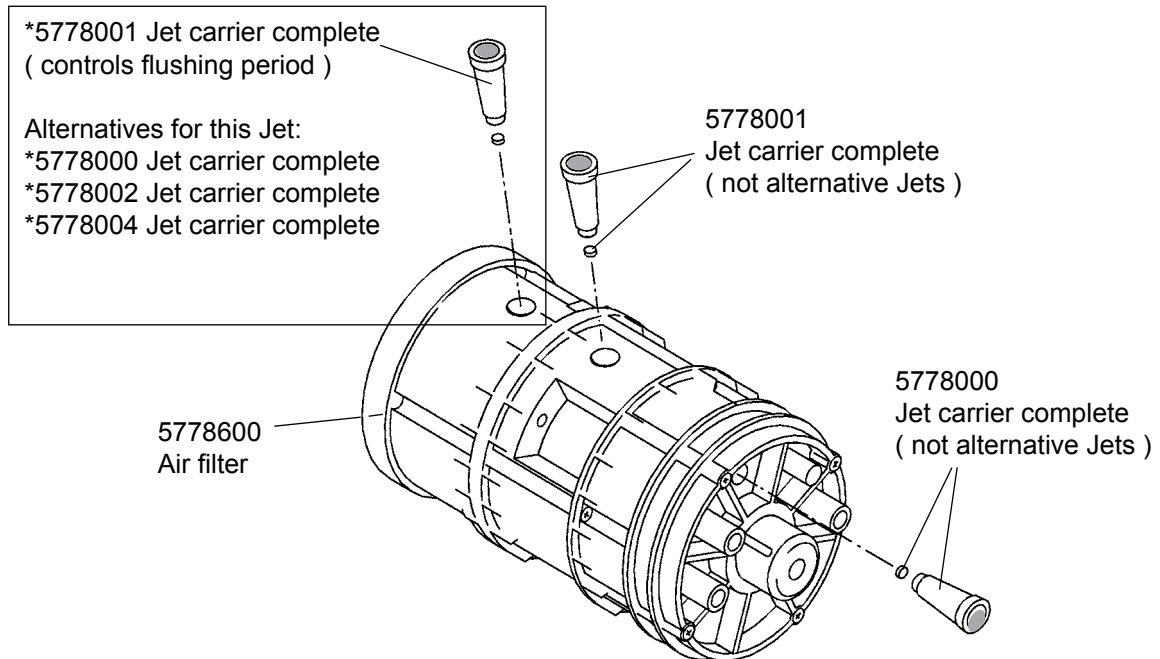
VACUUM TOILET

5775500 CONTROL MECHANISM

5881000 SPARE PART KIT FOR CONTROL MECHANISM (EVAC 90 AND 900 MODEL TOILETS)

6546688 SPARE PART KIT FOR CONTROL MECHANISM (EVAC 910 AND 912 MODEL TOILETS, TOILET WITH AUTOFLUSH UNIT, STAINLESS STEEL TOILET, SQUATTING TOILET)

P/N 5775500 Control mechanism



* Jet carrier identification:

P/N	Colour	Size	Effect
5778004	Yellow	0.20	Extra long flushing period
5778000	White	0.30	Long flushing period
5778001	Blue	0.40	Normal flushing period
5778002	Red	0.50	Short flushing period

! NOTE: See also the operation and maintenance documents:

Doc. 3:111E, Control mechanism (Evac 90 and 900 model toilets)

Doc. 002032-3, Control mechanism (Evac 910 model toilets)

Doc. 002474-2, Control mechanism (Evac 910 Stainless steel toilets)

Doc. 3:01103C, Control mechanism (Evac 910, Squatting toilet)

P/N 5881000 Spare part kit (Evac 90 and 900 model toilets)

P/N	Description	Pcs
5778600	Air filter	1
5778001	Jet carrier complete	2
5778000	Jet carrier complete	1
5778700	Filter	1
5959902	Mini-check valve	1

P/N 6546688 Spare part kit

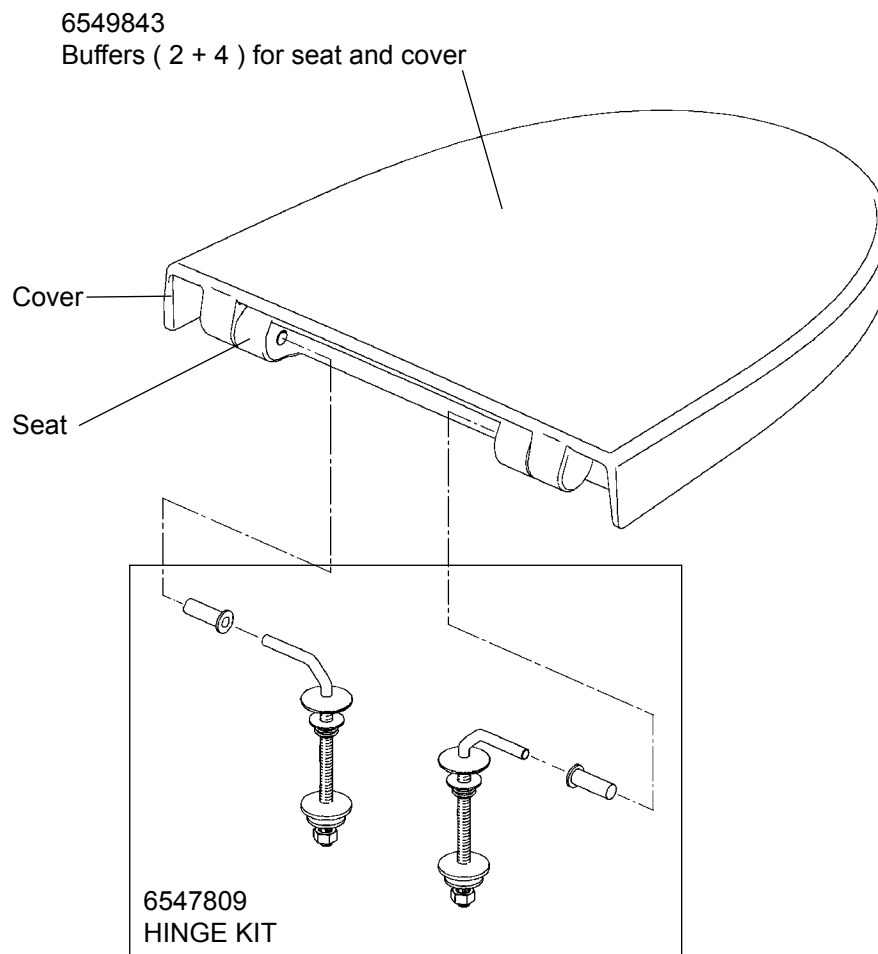
(Evac 910 and 912 model toilets, toilet with Autoflush unit, Stainless steel toilet, Squatting toilet)

P/N	Description	Pcs
5778600	Air filter	1
5778001	Jet carrier complete	2
5778000	Jet carrier complete	1
5778700	Filter	1
6545052	Mini-check valve kit	1

VACUUM TOILET

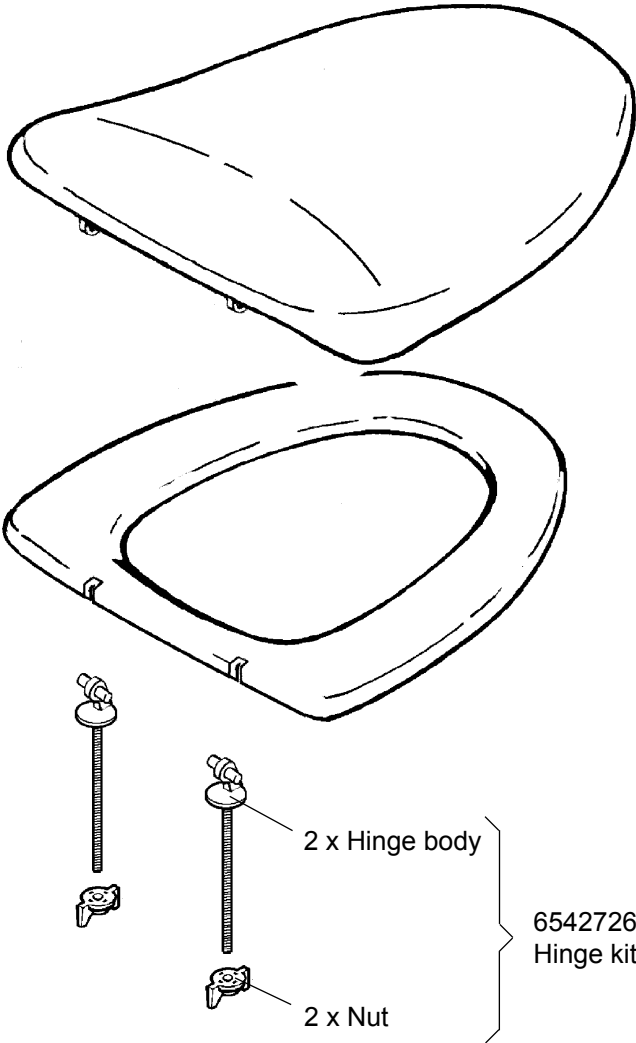
6546818 PRESTIGE, SEAT AND COVER

Prestige seat and cover fulfills ANSI Z124.5 - 1997 (Plastic Toilet Seats (Water closet)) requirements.



VACUUM TOILET

6540973 SEAT AND COVER, MOSAIK FOR EVAC 900 AND 910 WALL MODEL TOILETS



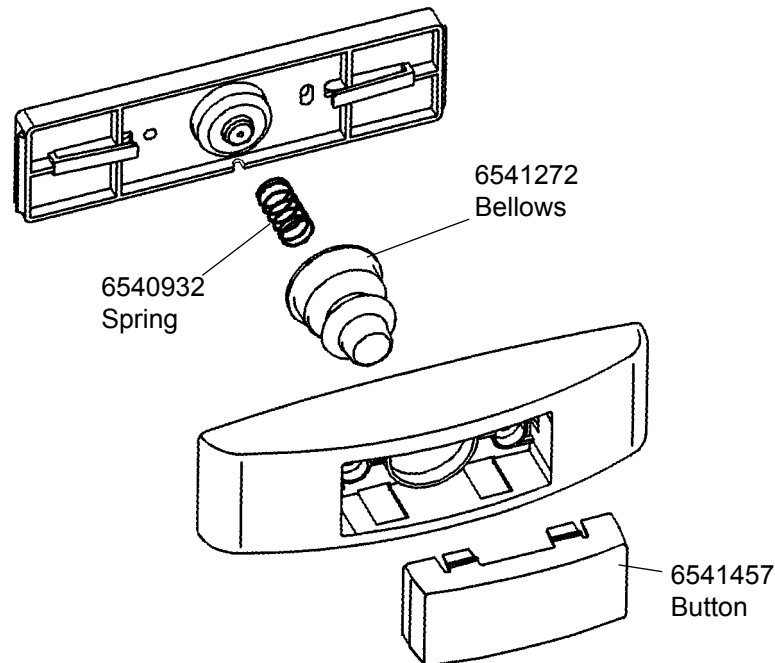
VACUUM TOILET

6541458 PNEUMATIC PUSH BUTTON (EVAC 900, 910 AND 912 WALL MODEL TOILETS)

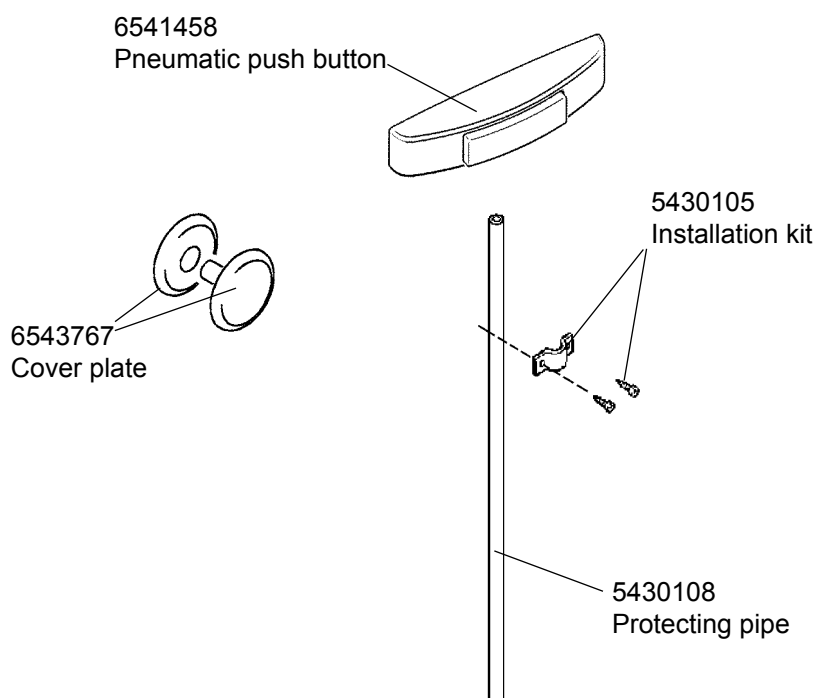
6541057 OPTIONAL PNEUMATIC PUSH BUTTON KIT (EVAC 900 AND 910 FLOOR MODEL TOILETS)

P/N 6541458 Pneumatic push button

P/N 6540917 is replaced by P/N 6541458



P/N 6541057 Optional pneumatic push button kit

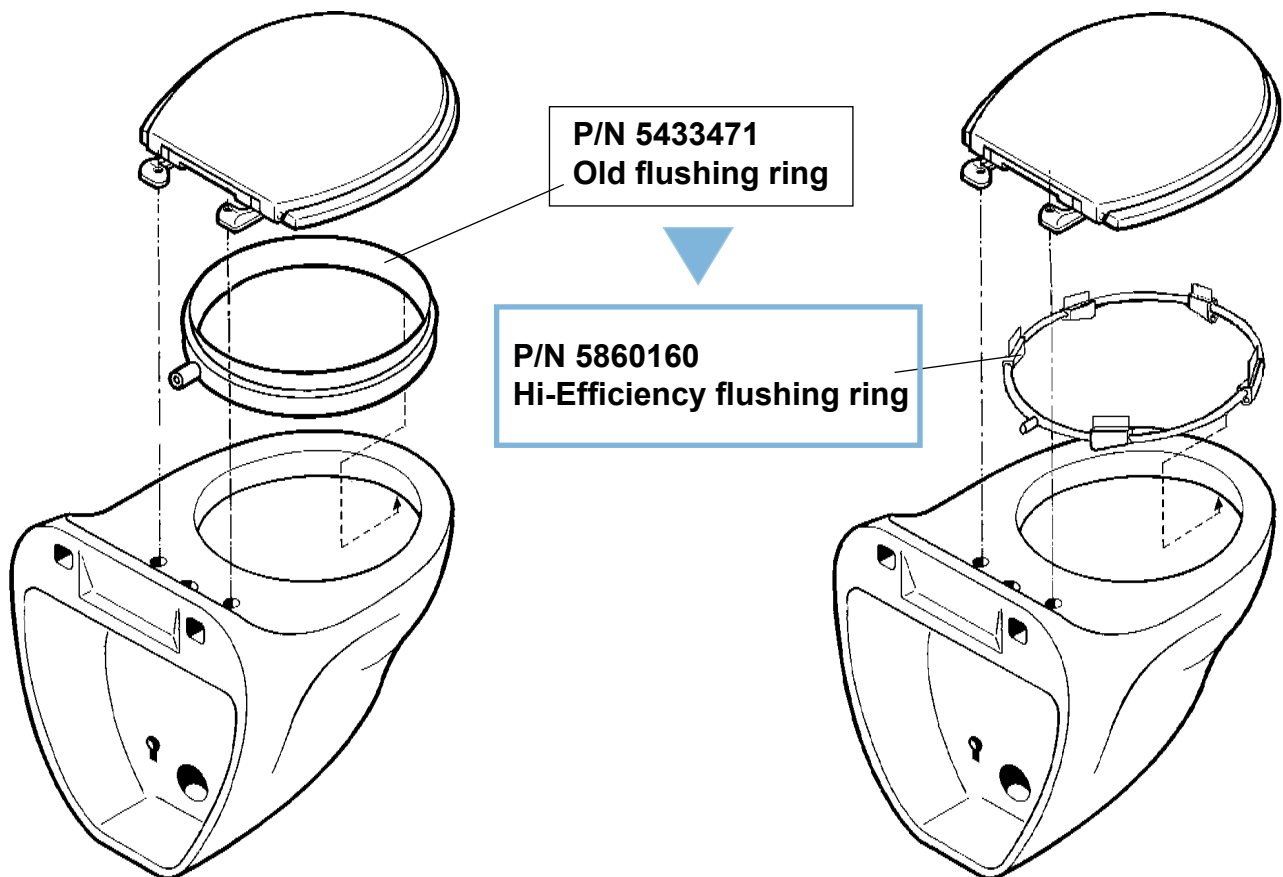


VACUUM TOILET

5860160 HI-EFFICIENCY FLUSHING RING FOR EVAC IFÖ VACUUM TOILETS

Better hygiene and improved toilet bowl rinsing can be obtained by using the 5-nozzle Hi-Efficiency Flushing ring, which is fully interchangeable with the old rubber ring.

P/N 43347.1 and P/N 5433471 are replaced by P/N 5860160



VACUUM TOILET

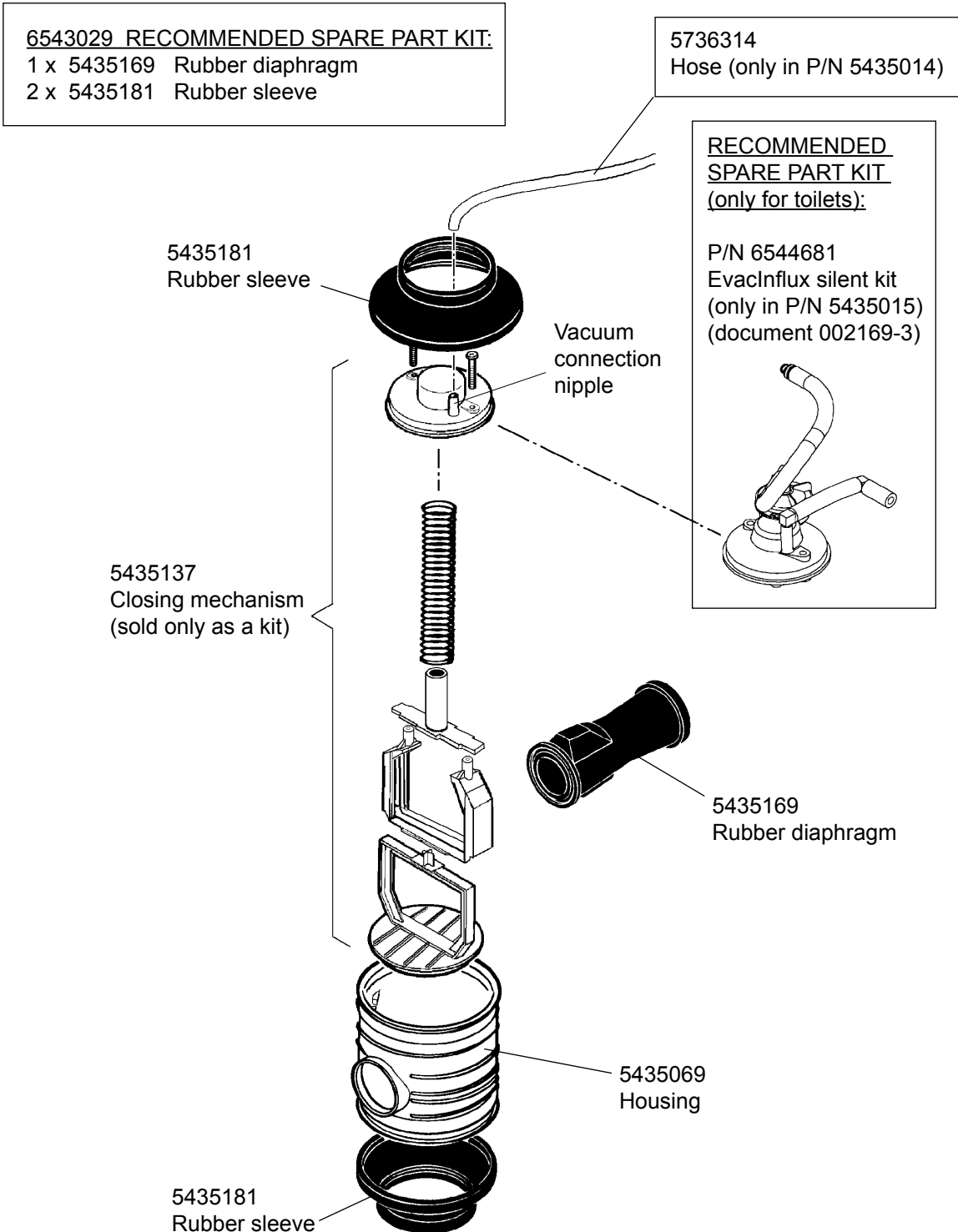
5435014 DISCHARGE VALVE

5435015 DISCHARGE VALVE

P/N 43501.3 and P/N 5435013 are replaced by P/N 5435014

P/N 5435015 Discharge valve (see diagram below).

P/N 5435014 Discharge valve includes Discharge valve P/N 5435015 + Hose (L = 210 mm) P/N 5736314.



VACUUM TOILET

EVACINCLICKS 1, 2 AND 3 FOR IFÖ TOILETS

The old flush valve is fully interchangeable with EvacInclicks.



5435259
Old IFÖ-flush valve

There are 3 alternatives available:

5350000 EvacInclick 1, 5350020 EvacInclick 2 and 6542341 EvacInclick 3.

How to choose the most suitable model?

EvacInclick 1 P/N 5350000

is most suitable for:

- floor toilets with a flush knob on the porcelain
- wall toilets with a flush knob on the porcelain
- wall toilets with no equipment space in the service trunk

EvacInclick 2 P/N 5350020

is most suitable for:

- wall toilets with a flush knob on the wall
- wall toilets that will be upgraded with a flush knob on the wall

This kit is quick to install, as old fixing console can be utilised.

EvacInclick 3 P/N 6542341

is most suitable for:

- wall toilets that have service trunk access
- wall toilets with a flush knob on the porcelain

This kit has a by-pass function. Service and maintenance is easy, as the kit is installed on the back wall.

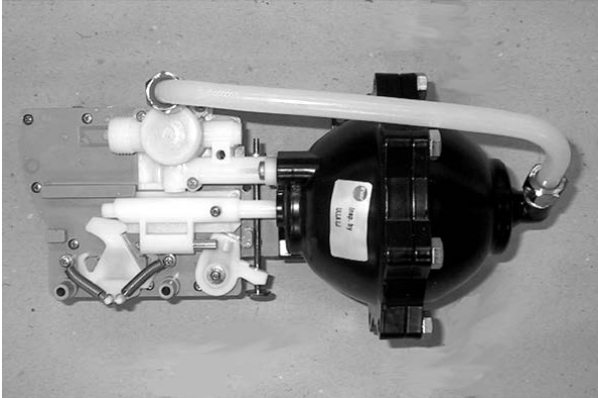
If you are in doubt of the best suitable kit type for your installation, please consult your nearest Evac representative.

VACUUM TOILET

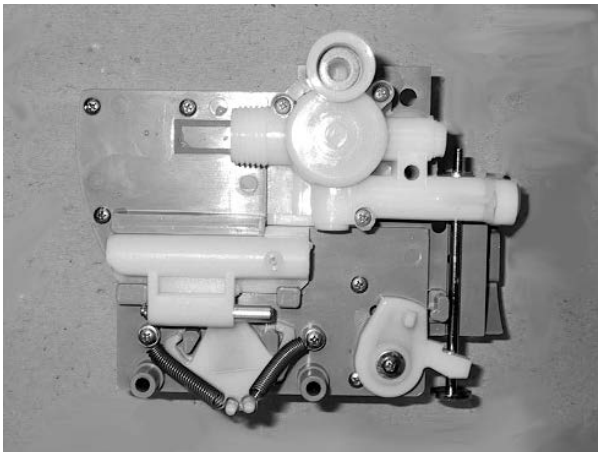
EVACINCLICKS 1, 2 AND 3 FOR IFÖ TOILETS

EvacInclicks 1, 2 and 3 on the right replace products on the left.

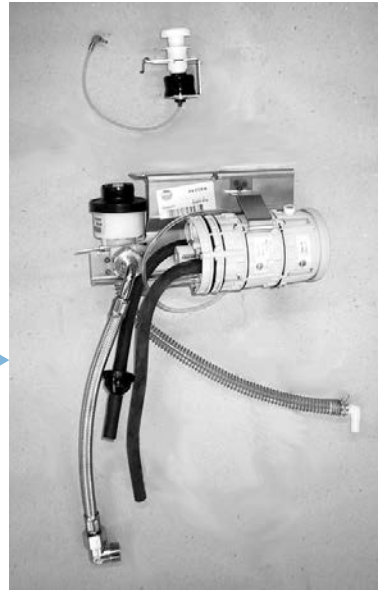
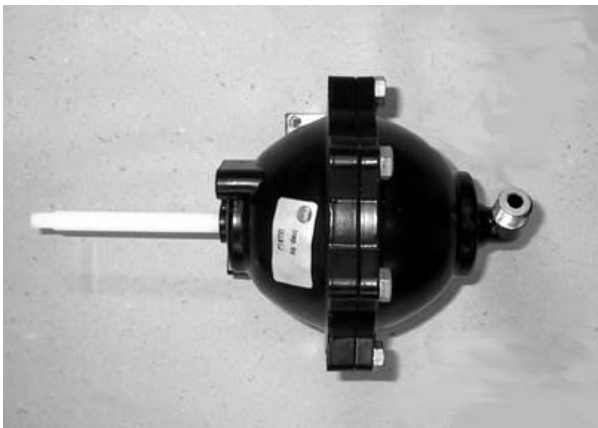
5435259 Flush valve



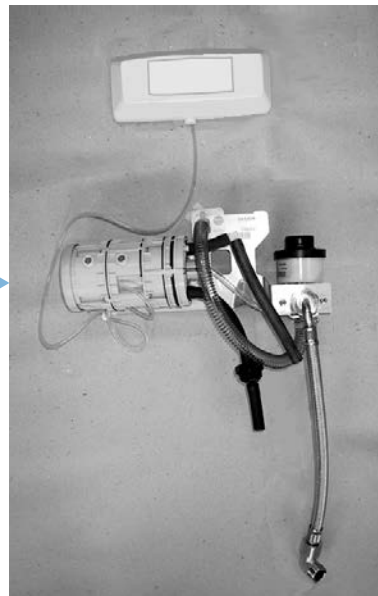
5435265 Flush valve housing



5435261 Membrane box



EvacInclick 1
5350000



EvacInclick 2
5350020



EvacInclick 3
6542341

P/N 5350000 EVACINCLICK 1

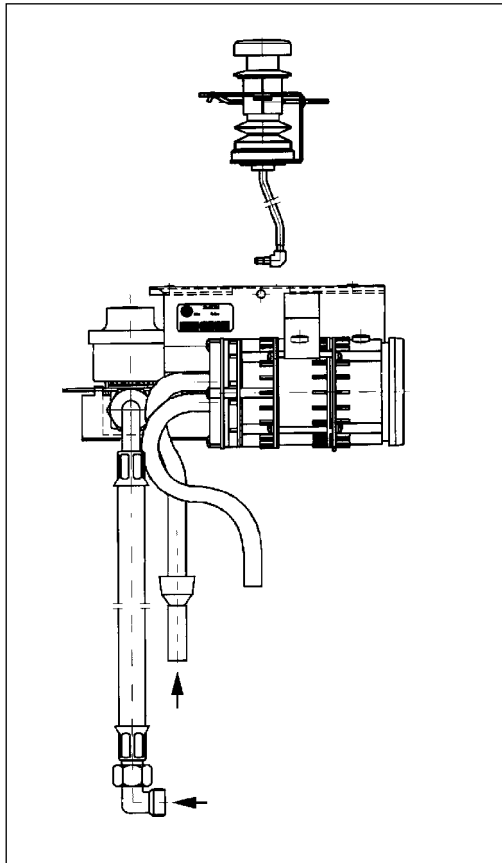


Table of contents

Installation:

P/N 5350000 EvacInclick 1..... Doc no. 2:01009E

Spare parts:

P/N 5350000 EvacInclick 1..... Doc no. 6:01117E

EVAC OY, tel.: + 358 20 763 0200, Finland

VACUUM TOILET

5350000 EVACINCLICK 1

P/N 5350000 is replacing P/N 43525.9, 43526.0, 43526.5, 5435259, 5435261 and 5435265

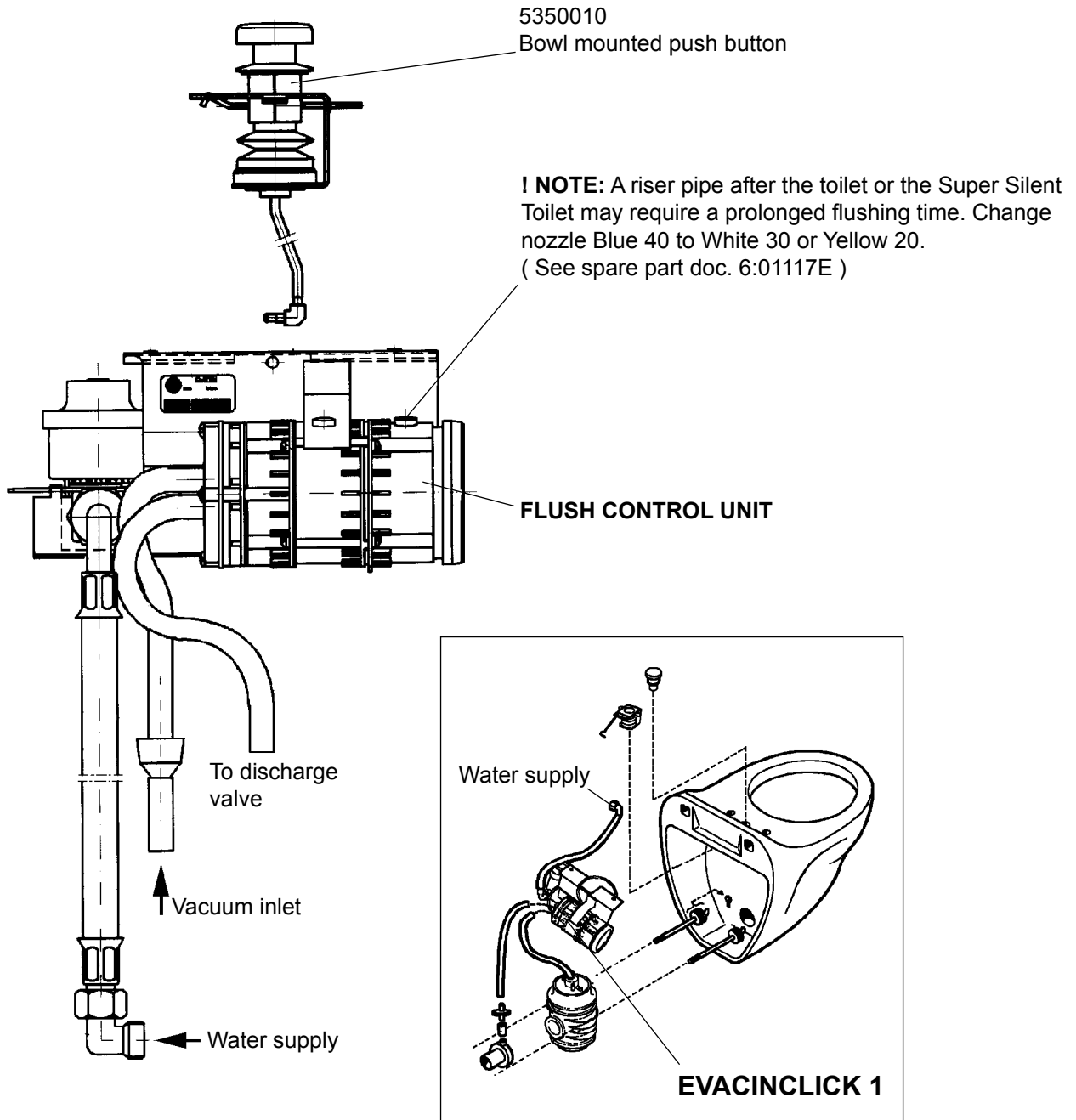


Fig.1

VACUUM TOILET

5350000 EVACINCLICK 1

When installing the EvacInclick 1, execute the applicable procedures in the given order:

1. Vacuum toilet removal
2. Vacuum toilet disassembly
3. Vacuum toilet reassembly (including installation of the EvacInclick 1)
4. Vacuum toilet re-installation

1. Vacuum toilet removal

Refer to fig. 2

- 1.1. Shut off the fresh water supply and flush the toilet to empty the bowl. Disconnect the external 1/2" water supply line from the side of the toilet, or disconnect the water supply hose connected to the back of the toilet.
- 1.2. Remove all hardware that secures the toilet to the wall or the floor.
- 1.3. Loosen the hose clamps, remove the rubber elbow or coupling from the sewage outlet port of the toilet, and insert the tapered end of the elbow (or suitable plug) into the vacuum pipe opening to prevent the vacuum loss.

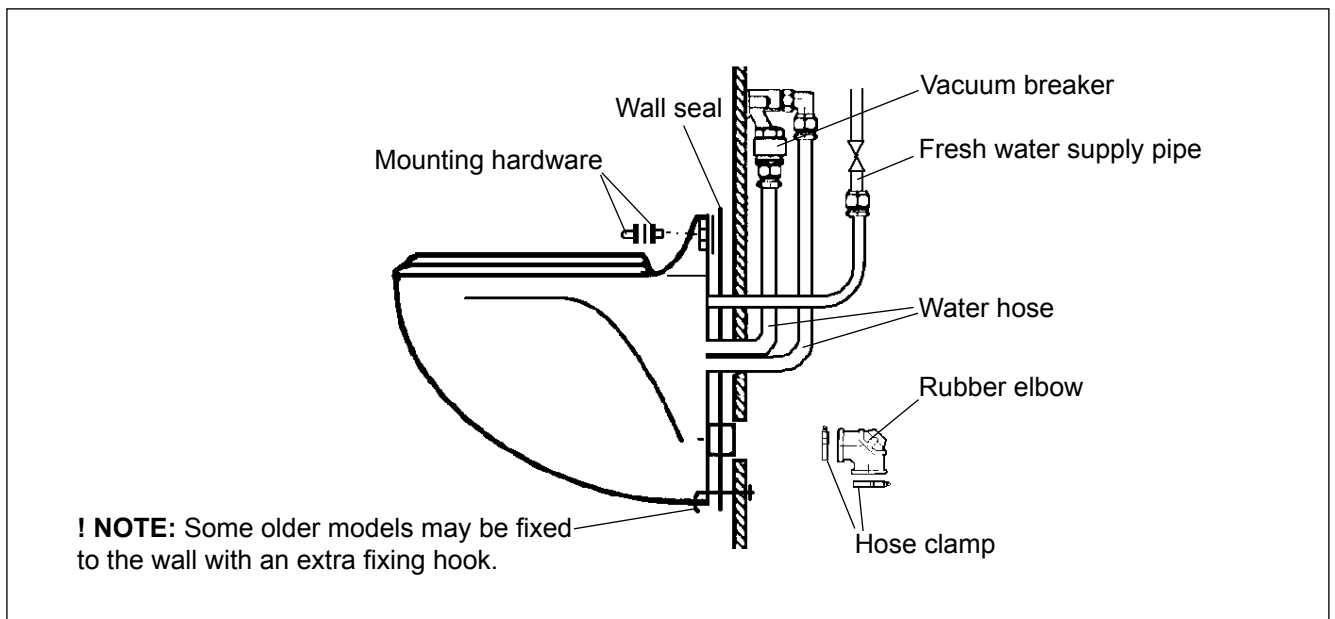
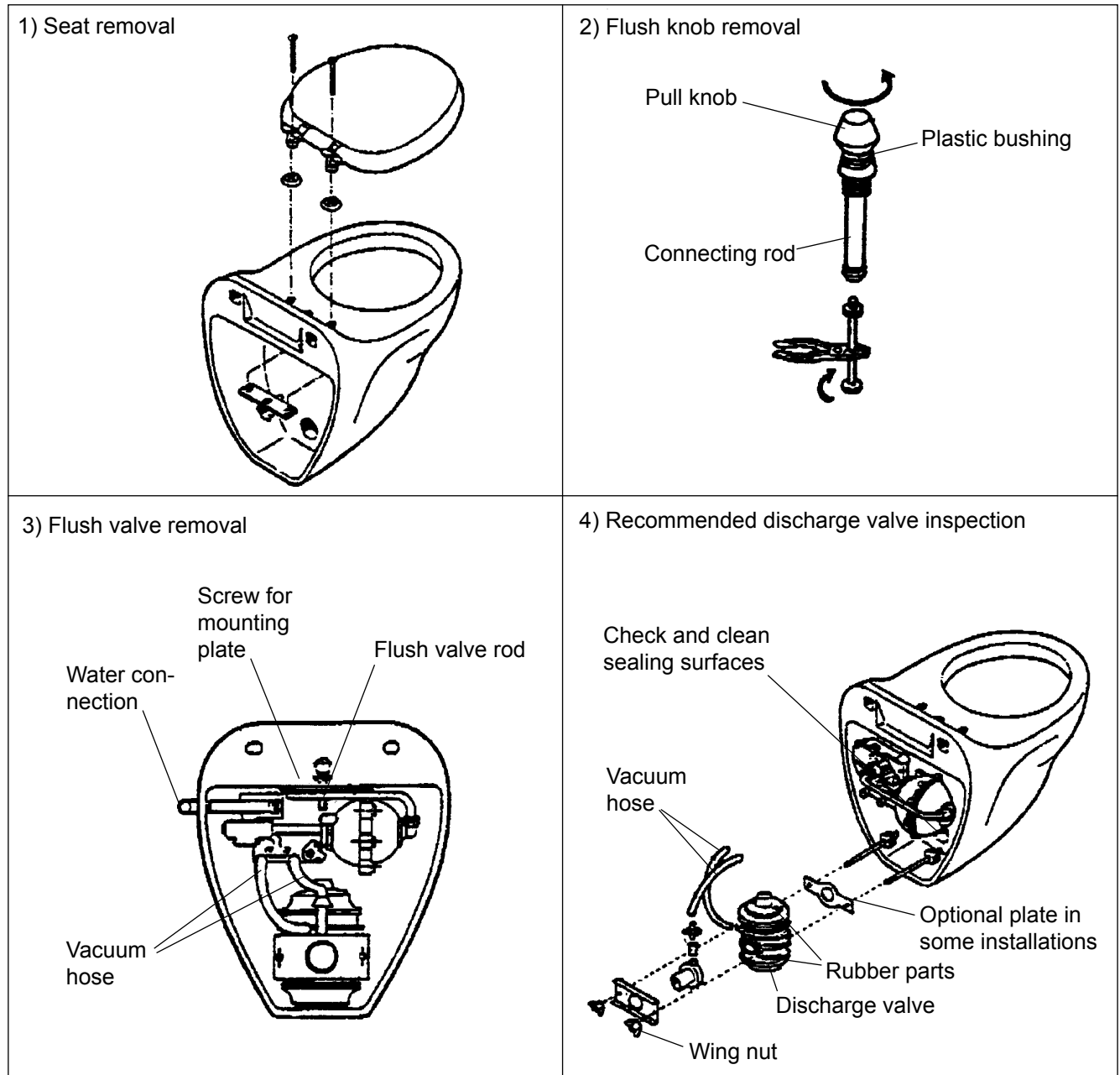


Fig. 2

VACUUM TOILET

5350000 EVACINCLICK 1

2. Vacuum toilet disassembly


Fig. 3

Refer fig. 3

- 2.1. Remove the attaching screws from the mounting plate console and then remove the seat.
- 2.2. Remove the back cover by unscrewing the wing nuts from the fastening rods (if present).
- 2.3. Separate the two vacuum hoses with the non-return valves from the discharge valve and the outlet pipe.
- 2.4. Unscrew (turn counterclockwise) the toilet flush knob's connecting rod from the flush valve rod and lift the connecting rod up to gain access to the flush valve fastening screw.
- 2.5. Disconnect and remove the water connecting pipe assembly from the flush valve.
- 2.6. Remove the fastening screw and pull the flush valve out past the guide peg to remove it.
- 2.7 **Recommendation: Inspect the discharge valve, and especially the rubber parts. Replace if necessary. (Always clean the porcelain surface that touches the discharge valve before re-installing.)**

VACUUM TOILET

5350000 EVACINCLICK 1

3. Vacuum toilet reassembly

During this procedure refer to fig. 4 and 5.

3.1. Install the toilet push button.

3.1.1. Check to see that the hole in the porcelain is circular. If not, file the hole to the proper size, so that the push button moves freely.

3.1.2. Position the lower part of the push button assembly in the porcelain.

3.1.3. Install the upper parts of the push button assembly through the hole in the porcelain.

3.1.4. Secure the push button assembly in position with the locking pin.

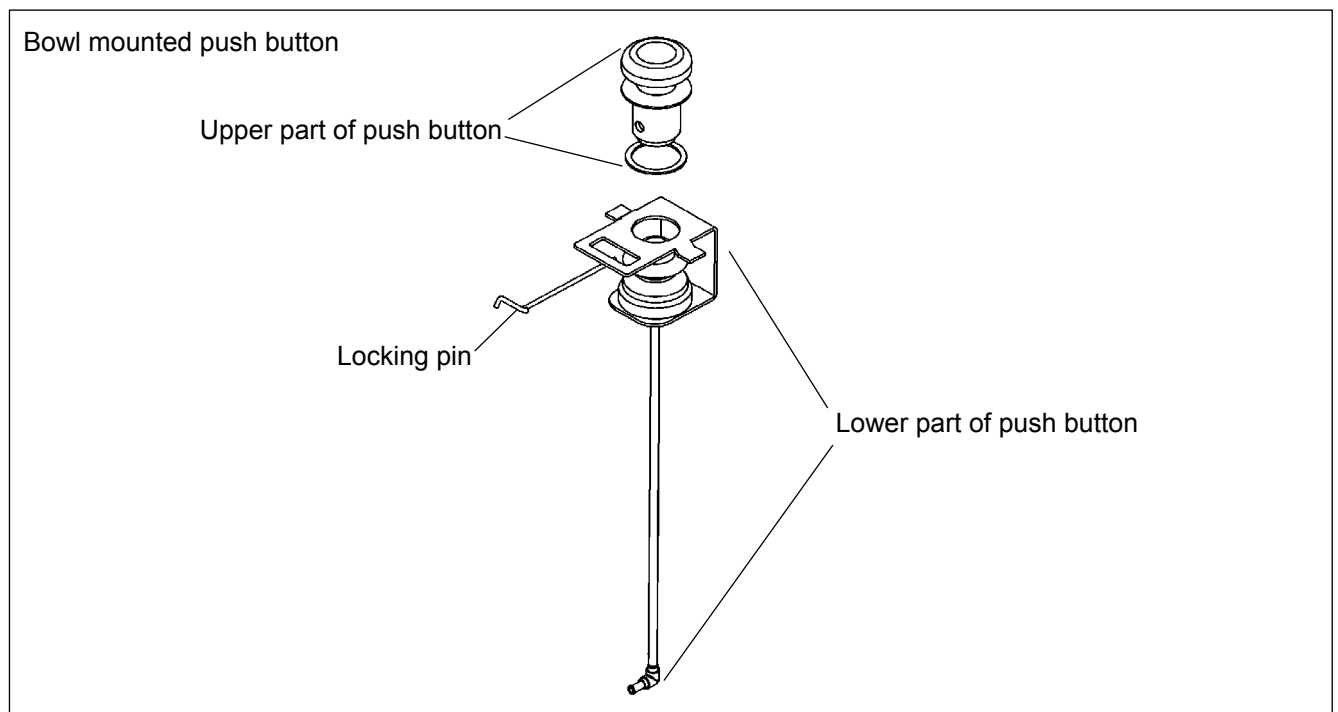


Fig. 4

3.2. Attach the water connection hose to the water valve inlet and install the push button hose into the flush control unit.

3.2.1 For units with a water connection through the back and a USPH vacuum breaker, disconnect the hose from the water valve outlet. Remove the elbow from the hose. Connect the vacuum breaker inlet hose to the water valve. Insert the elbow into the vacuum breaker outlet hose and connect the other end of the elbow to the flush ring.

3.2.2 For units with a water connection through the back and that not have a vacuum breaker, insert the elbow on the end of the hose from the water valve outlet to the flush ring.

3.2.3 For units with a side water connection, remove the connector and cut off the tubing, leaving a tube length of approximately 20 mm. Install the side water connector. Attach the elbow to the end of the water connection hose. Connect one end of the water connection hose to the water valve inlet on the flush control unit, and connect the end with the elbow to the side connection.

VACUUM TOILET

5350000 EVACINCLICK 1

- 3.3. Attach the flush control unit bracket (with an attached control mechanism and a water valve) to the toilet bowl assembly.
- 3.3.1 For units with a toilet mounted push button, position the flush control unit bracket inside the toilet bowl's body and align it with the holes in the porcelain. The flush control valve bracket is installed above the two tabs on the push button bracket. Assemble the attaching screws through the hole in the seat and into the flush control valve bracket.

! NOTE: For units using alternate methods for attaching the lid and seat assembly, consult the factory.

! NOTE: The hose with the non-return valve is to be pushed in the outlet pipe.

- 3.4. Carefully push the two vacuum hoses with the non-return valves onto the discharge valve and the outlet pipe.
- 3.5. Install the back cover and secure it by screwing the wing nuts onto the fastening rods, if applicable.

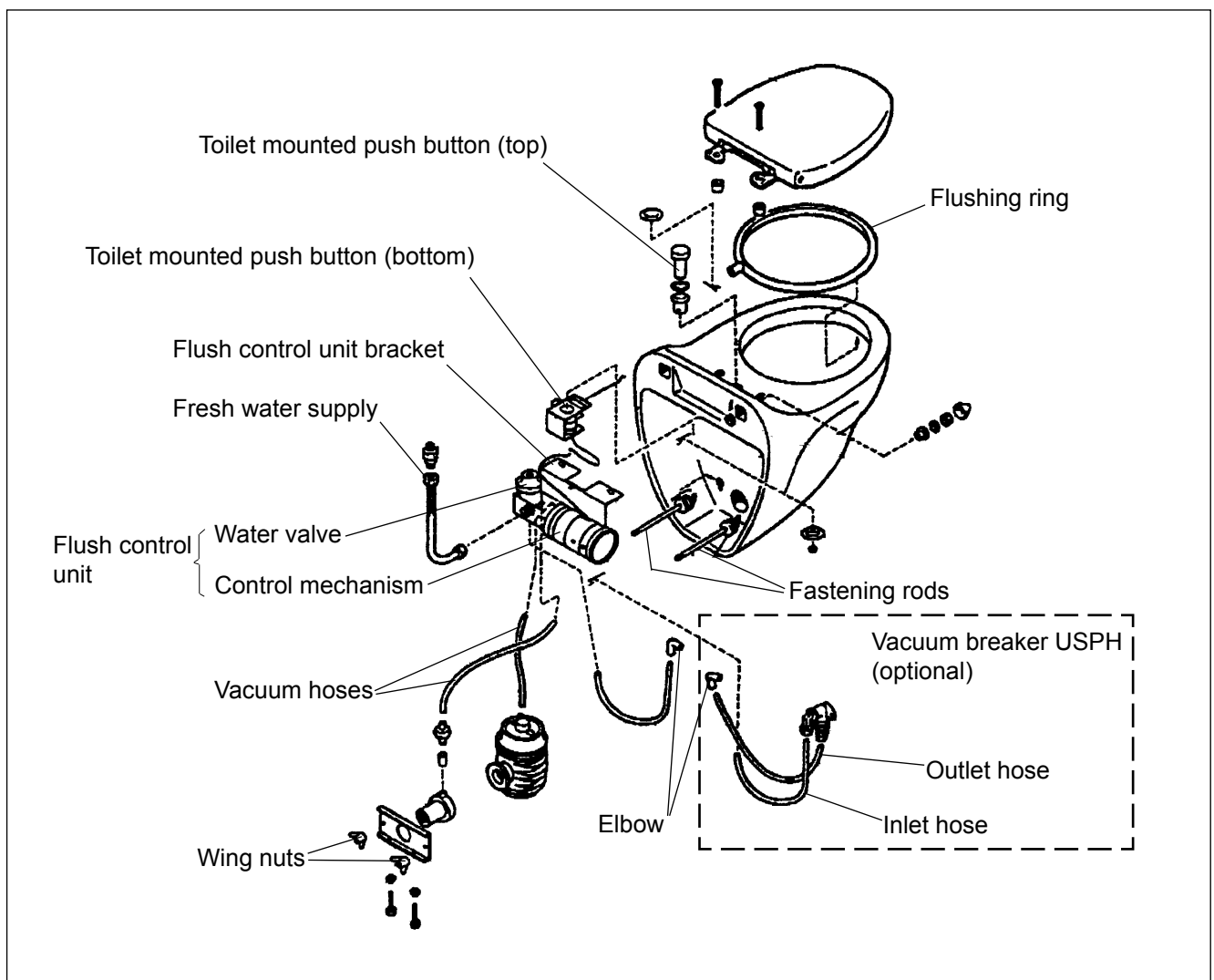


Fig. 5



VACUUM TOILET

5350000 EVACINCLICK 1

4. Vacuum toilet re-installation

During the following procedure, refer to Figures 2 and 3.

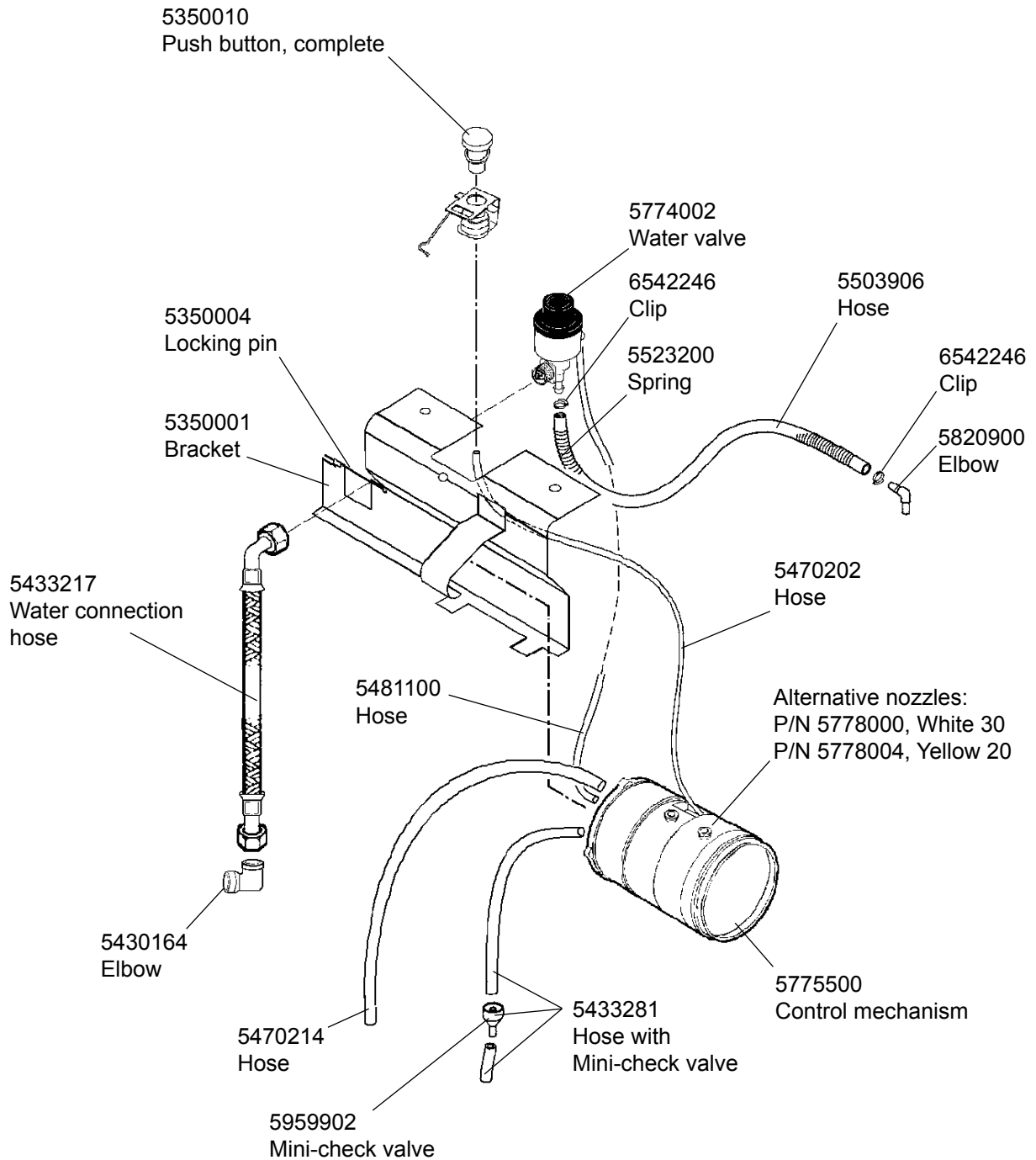
- 4.1. Inspect and ensure the repaired toilet is free from obvious signs of damage or wear.
- 4.2. Inspect the gasket or edge strip between the toilet and mounting surface, and replace if necessary.
- 4.3. Align the toilet mounting holes against the bulkhead.
- 4.4. Install the rubber elbow or connector to the sewage piping and the toilet's outlet. Do not tighten the hose clamps at this stage.
- 4.5. Re-install mounting hardware to secure the toilet to the bulkhead.

! NOTE: Exercise caution when installing the vitreous china toilet. Do not over tighten nuts or damage may result.

- 4.6. Tighten both hose clamps on the discharge rubber elbow or connector.
- 4.7. Reconnect the customer water supply.
- 4.8. Turn on the toilet's water supply.
- 4.9. Flush the toilet and check all joints for vacuum and water leaks.

VACUUM TOILET

5350000 EVACINCLICK 1, FLUSH CONTROL UNIT FOR IFÖ TOILETS



P/N 5350020 EVACINCLICK 2

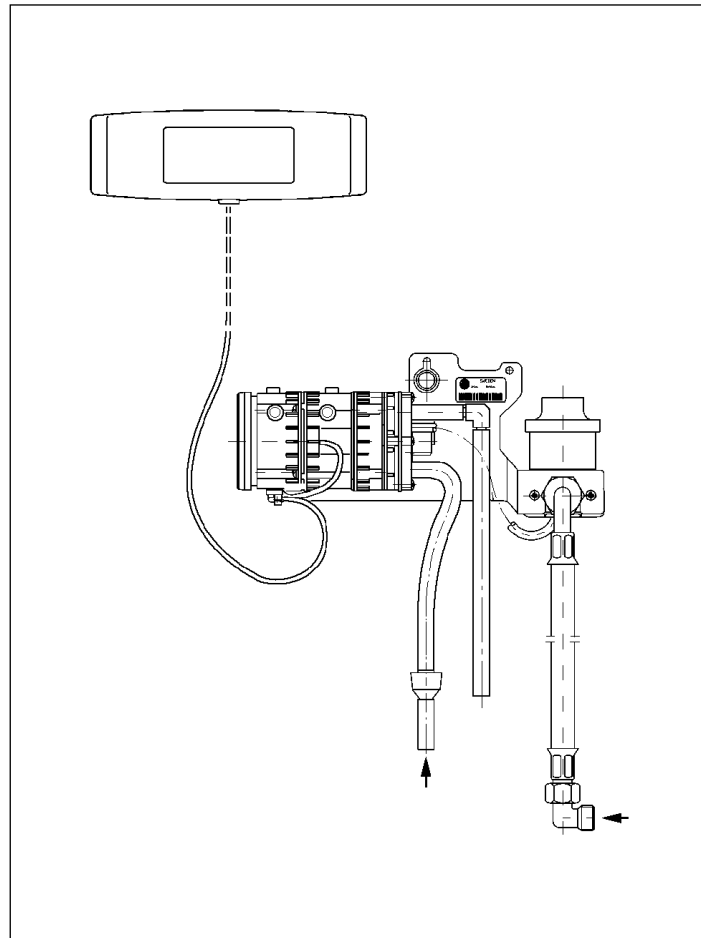


Table of contents

Installation:

P/N 5350020 EvacInclick 2..... Doc no. 2:01010F

Spare parts:

P/N 5350020 EvacInclick 2..... Doc no. 6:01118F

VACUUM TOILET

5350020 EVACINCLICK 2, FLUSH CONTROL UNIT FOR IFÖ TOILETS

P/N 43525.9, 43526.0, 43526.5, 5435259, 5435261 and 5435265 are replaced by P/N 5350020

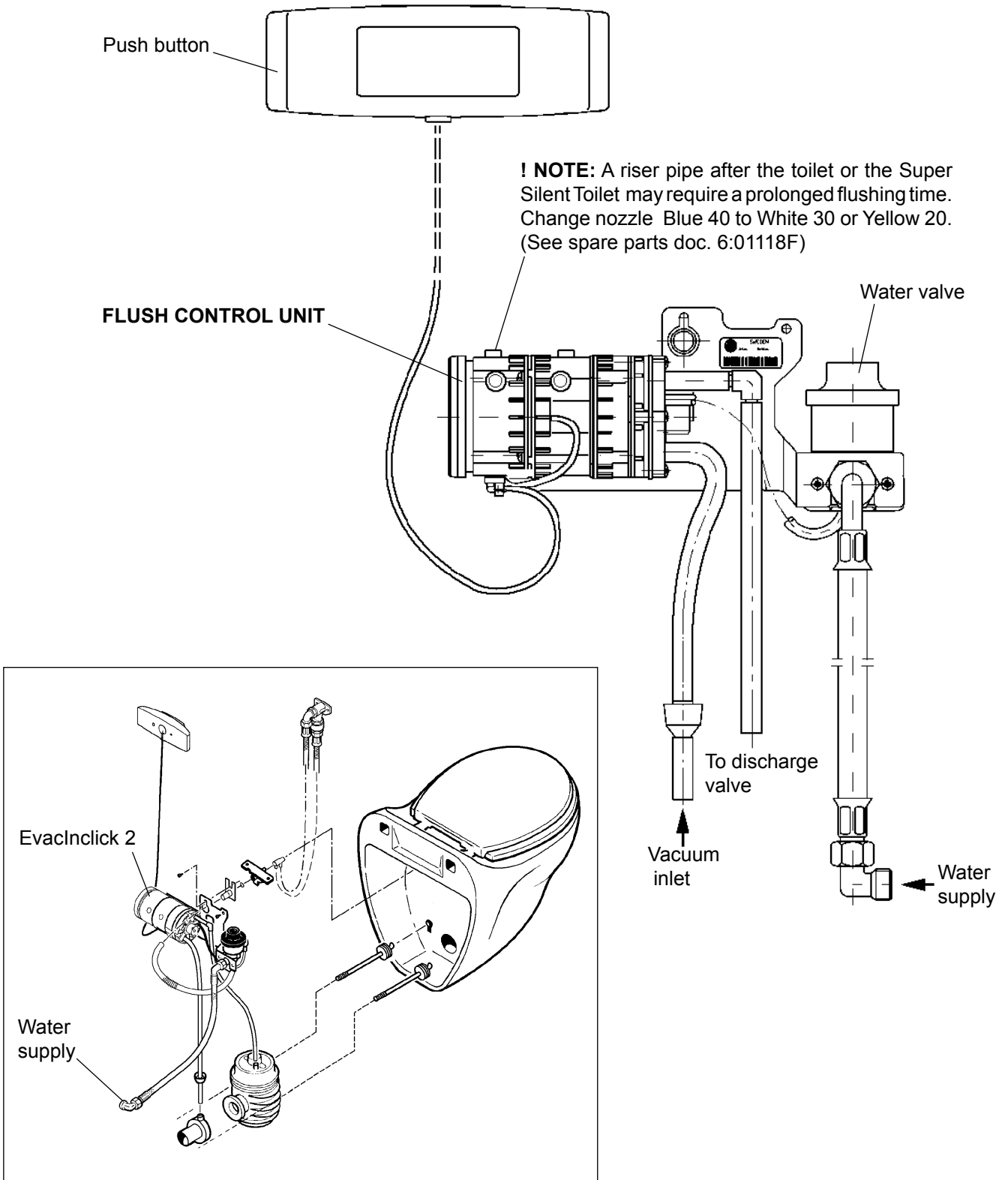


Fig. 1

VACUUM TOILET

5350020 EVACINCLICK 2, FLUSH CONTROL UNIT FOR IFÖ TOILETS

When installing the EvacInclick 2, execute the applicable procedures in the given order:

1. Vacuum toilet removal
2. Vacuum toilet disassembly
3. Vacuum toilet reassembly (including installation of the EvacInclick 2)
4. Vacuum toilet re-installation

1. Vacuum toilet removal

Refer to fig. 2

- 1.1. Shut off the fresh water supply and flush the toilet to empty the bowl. Disconnect the external 1/2" water supply line from the side of the toilet, or disconnect the water supply hose connected to the back of the toilet.
- 1.2. Remove all hardware that secures the toilet to the wall or the floor.
- 1.3. Loosen the hose clamps, remove the rubber elbow or coupling from the sewage outlet port of the toilet, and insert the tapered end of the elbow (or suitable plug) into the vacuum pipe opening to prevent vacuum loss.

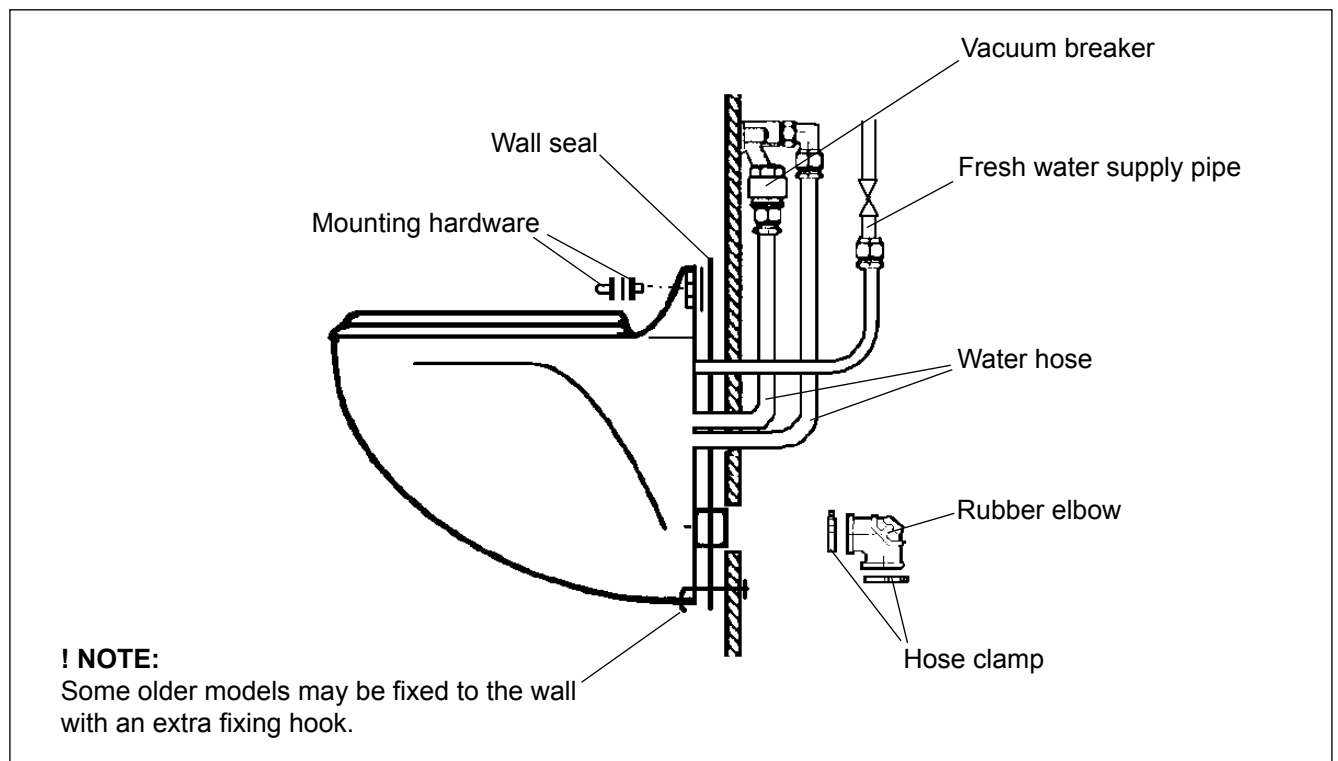


Fig. 2

VACUUM TOILET

5350020 EVACINCLICK 2, FLUSH CONTROL UNIT FOR IFÖ TOILETS

2. Vacuum toilet disassembly

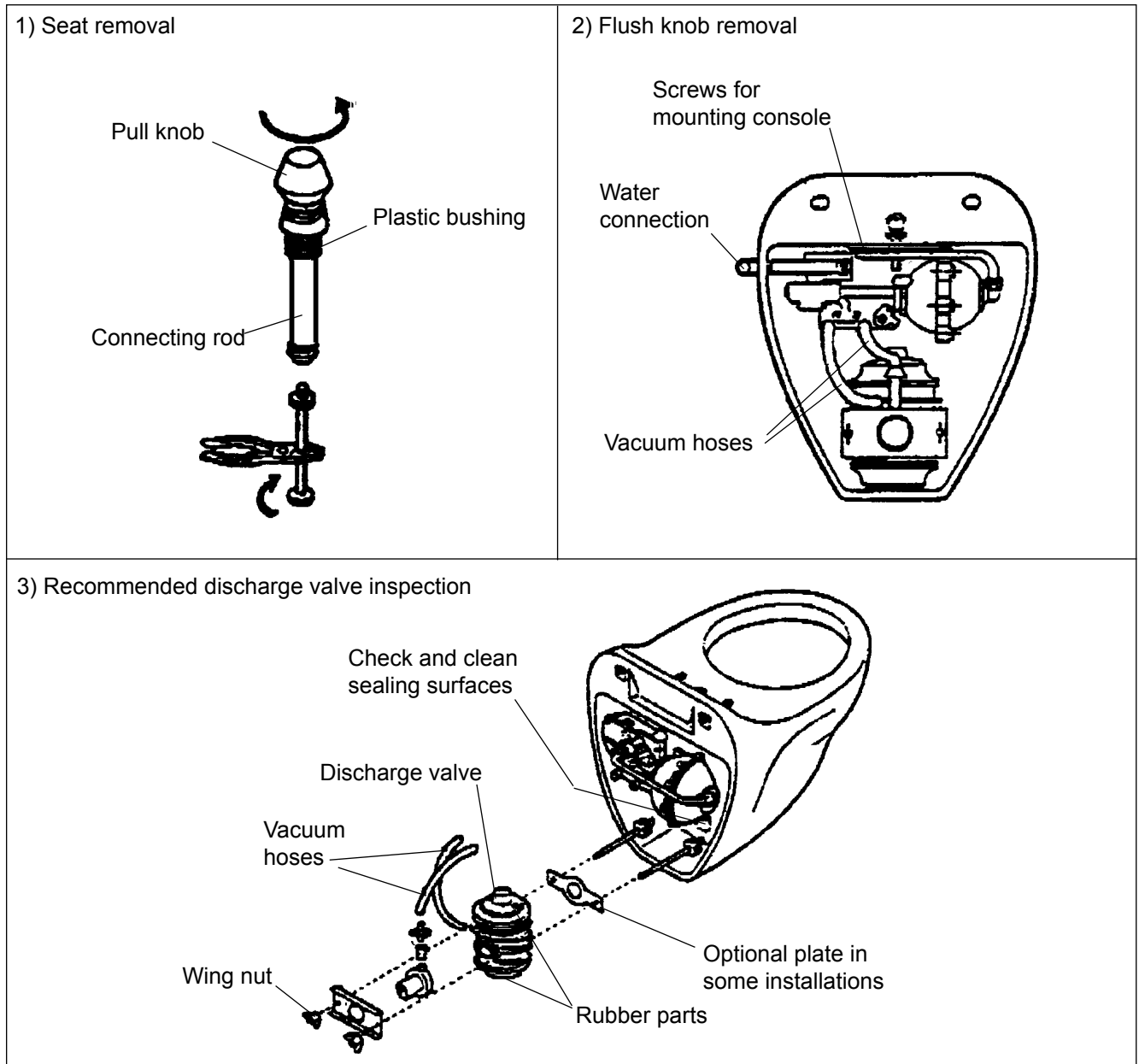


Fig. 3

Refer fig. 3

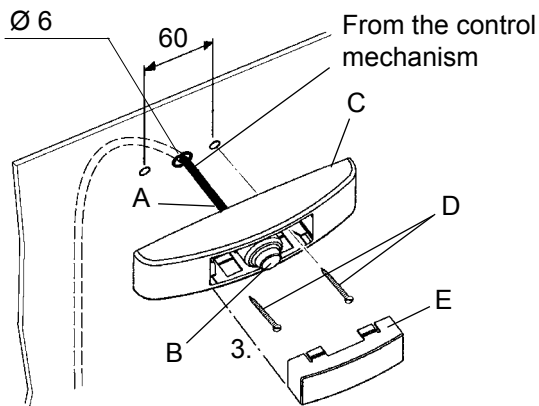
- 2.1. Remove the back cover by unscrewing the wing nuts from the fastening rods (if present).
- 2.2. Remove the attaching screws from flush valve at mounting plate console.
- 2.3. Separate the vacuum hoses with the non-return valves from the discharge valve and the outlet pipe.
- 2.4. Unscrew (turn counterclockwise) the toilet flush knob's connecting rod from the flush valve rod and lift the connecting rod up to gain access to the flush valve fastening screw.
- 2.5. Disconnect and remove the water connecting pipe assembly from the flush valve.
- 2.6. Remove the fastening screw and pull the flush valve out past the guide peg to remove it.
- 2.7. **! Recommendation:** Inspect the discharge valve, and especially the rubber parts. Replace if necessary. (Always clean the porcelain surface that touches the discharge valve before re-installing.)

VACUUM TOILET

5350020 EVACINCLICK 2, FLUSH CONTROL UNIT FOR IFÖ TOILETS

3. Vacuum toilet reassembly

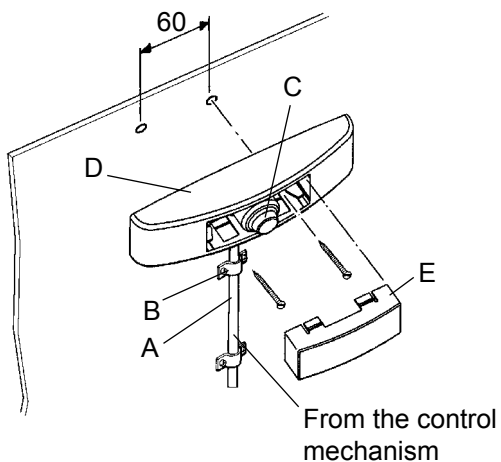
3.1. Install the pneumatic push button.



1. Drill a $\varnothing 6$ mm hole for the hose (A).
2. Connect the plastic hose (A) from the control mechanism to the bellow (B). The end of the hose may be warmed in order to ease the installation.
3. Install the body (C) of the push button to the wall using screws (D) (not included).
4. Snap the cover (E) of the push button below it's place.

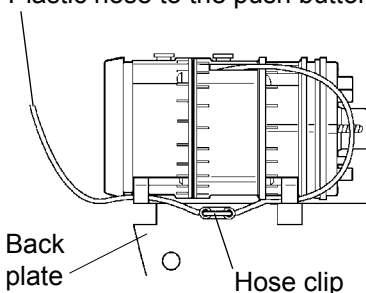
! NOTE: Make sure the hose (A) is not flattened after installation. Air must be able to flow freely.

Installing the push button on the wall, floor models with the optional push button kit.
(Hose and protecting pipe on the surface of the wall)



1. Thread the hose from the control mechanism through the protection pipe (A).
2. Install the protection pipe (A) on the wall using screws and clamps (B).
3. Cut off the film of the bushing for the plastic hose on the bottom side of the push button's cover.
4. Connect the plastic hose from the control mechanism to the bellow (C). Snap the plastic hose on the clip behind the bottom plate.
5. Install the push button body (D) to the wall using screws (not included).
6. Snap the cover of the push button below (E) in its place.

Plastic hose to the push button



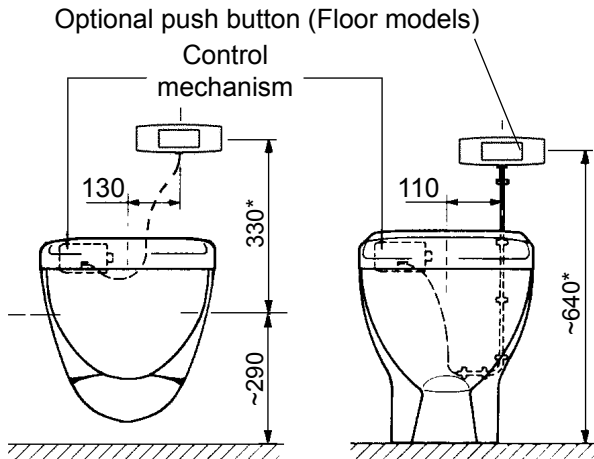
Control mechanism

Make sure the plastic hose is properly attached to the the control mechanism. Refer to the diagram on the left.

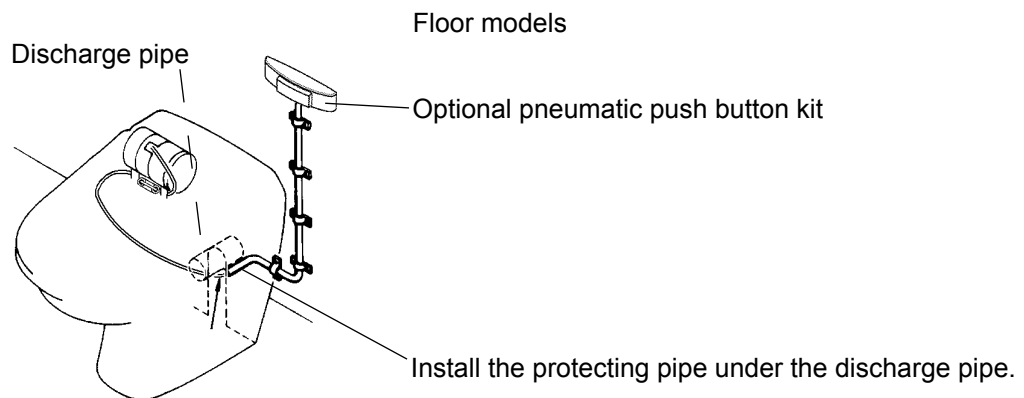
VACUUM TOILET

5350020 EVACINCLICK 2, FLUSH CONTROL UNIT FOR IFÖ TOILETS

Recommended place for the button

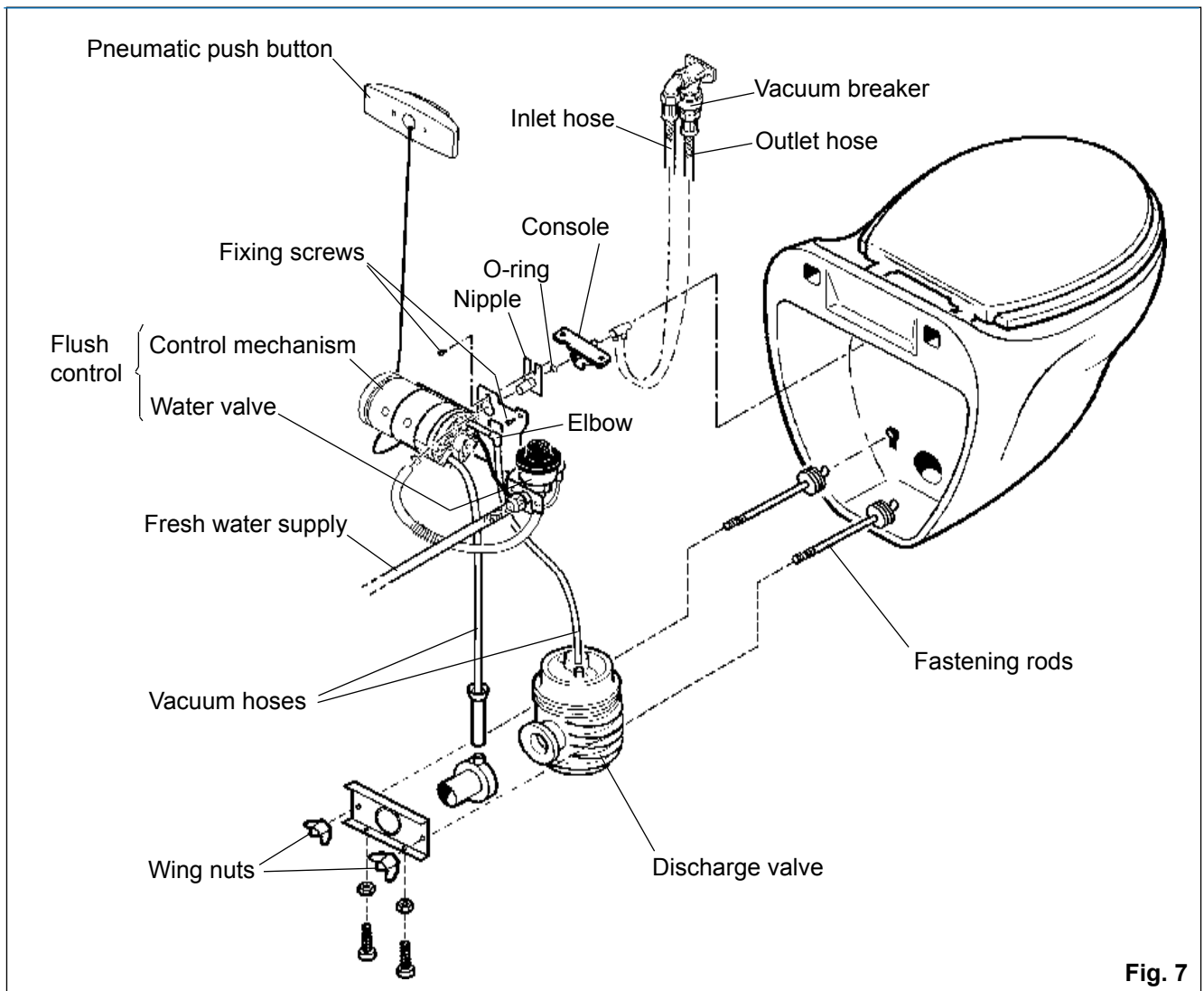


! NOTE: Make sure, that cover does not hit the push button when opened. (In Aniara/Mosaik models dimension is 100 mm smaller due to the flexible cover.) If the place is changed, consult EVAC.



VACUUM TOILET

5350020 EVACINCLICK 2, FLUSH CONTROL UNIT FOR IFÖ TOILETS


Fig. 7

- 3.2. Install the EvacInclick 2. Attach the water connection hose to the water valve inlet, and install the push button hose into the flush control unit.
 - 3.2.1 For units with a side water connection, remove the connector and cut off the tubing, leaving a tube length of approximately 20 mm. Install the side water connector. Attach the elbow to the end of the water connection hose. Connect one end of the water connection hose to the water valve inlet on the flush control unit, and connect the end with the elbow to the side connection.
 - 3.3. Assemble O-ring P/N 5433358 to the console.
 - 3.4. Assemble the flush control unit bracket (with an attached control mechanism and water valve) to the console. Install the fixing screws and tighten them.
 - 3.5. Carefully push the two vacuum hoses and non-return valves onto the discharge valve and outlet pipe.
- ! NOTE:** Hose with non-return valve to be pushed on outlet pipe.
- ! NOTE:** If the discharge valve has a vacuum nipple on top of the valve, use elbow P/N 5507000 when connecting the vacuum hose to the discharge valve.
- 3.6 Test flush the toilet and change the flushing timing nozzle, if necessary.
 - 3.7 Install the back cover and secure it by screwing the wing nuts onto the fastening rods, if applicable.
 - 3.8 Check all joints for vacuum and water leaks.



VACUUM TOILET

5350020 EVACINCLICK 2, FLUSH CONTROL UNIT FOR IFÖ TOILETS

4. Vacuum toilet re-installation

During the following procedure, refer to Figures 2 and 3.

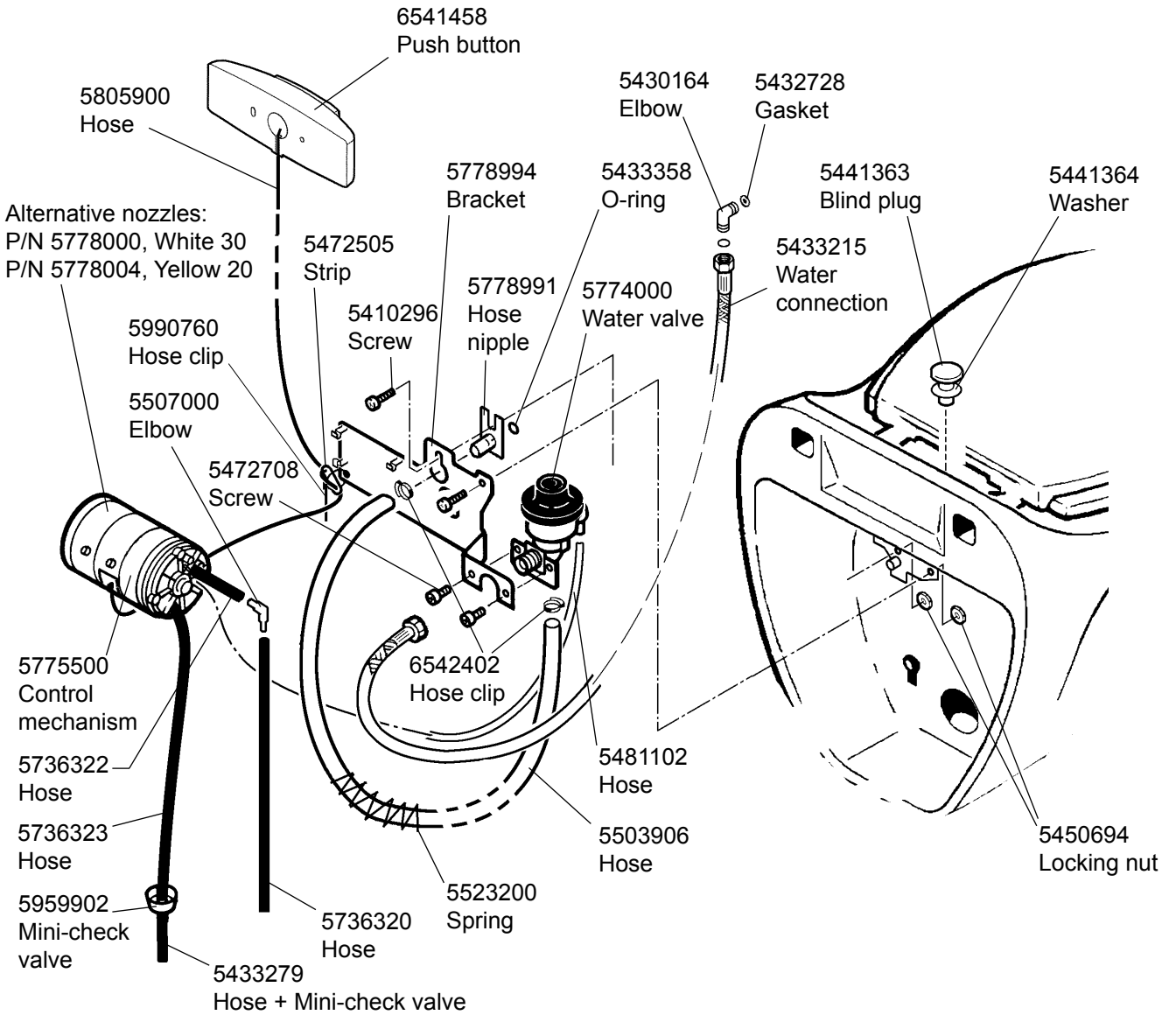
- 4.1. Inspect and ensure the repaired toilet is free from obvious signs of damage or wear.
- 4.2. Inspect the gasket or the edge strip between toilet and mounting surface, and replace if necessary.
- 4.3. Align the toilet mounting holes against the bulkhead.
- 4.4. Install the rubber elbow or connector to the sewage piping and the toilet's outlet. Do not tighten the hose clamps at this stage.
- 4.5. Re-install mounting hardware to secure the toilet to the bulkhead.

! NOTE: Exercise caution when installing the vitreous china toilet. Do not over tighten nuts or damage may result.

- 4.6. Tighten both hose clamps on the discharge rubber elbow or connector.
- 4.7. Reconnect the customer water supply.
- 4.8. Turn off the toilet's water supply.
- 4.9. Flush the toilet and check all joints for vacuum and water leaks.

VACUUM TOILET

5350020 EVACINCLICK 2, FLUSH CONTROL UNIT FOR IFÖ TOILETS



P/N 6542341 EVACINCLICK 3 FOR IFÖ / EVAC 90 / EVAC 900 TOILETS

(EASY MAINTENANCE BACK WALL INSTALLATION)



Table of contents

Customer Support:

6542341 EvacInclick 3, main components Doc no. 9:00039F

Installation:

6542341 EvacInclick 3 Doc no. 2:01075E

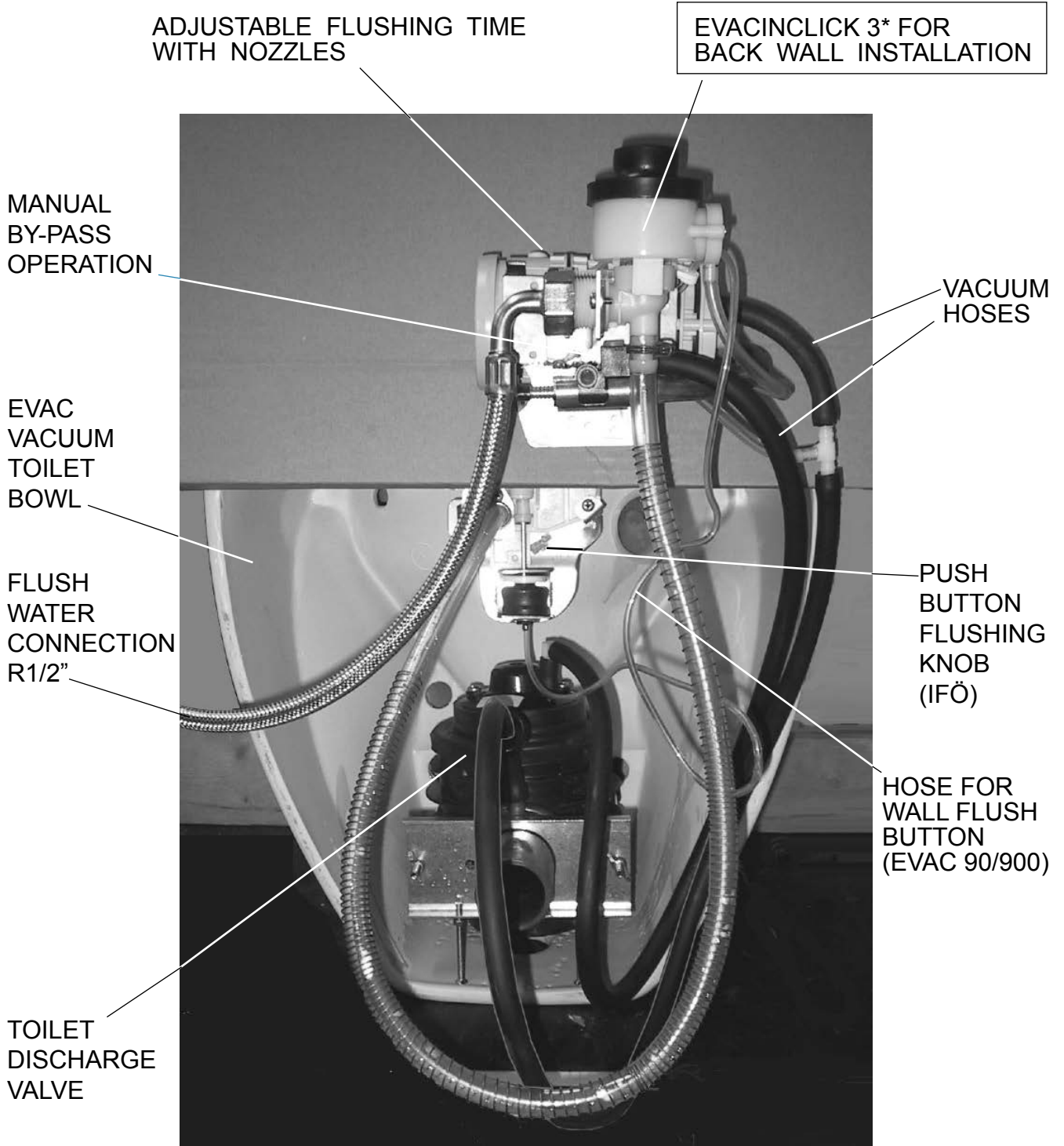
Spare parts

6542341 EvacInclick 3 Doc no. 6:01102G

EVAC OY, tel.: + 358 20 763 0200, Finland

VACUUM TOILET

6542341 EVACINCLICK 3* FOR IFÖ, EVAC 90 AND EVAC 900 TOILETS

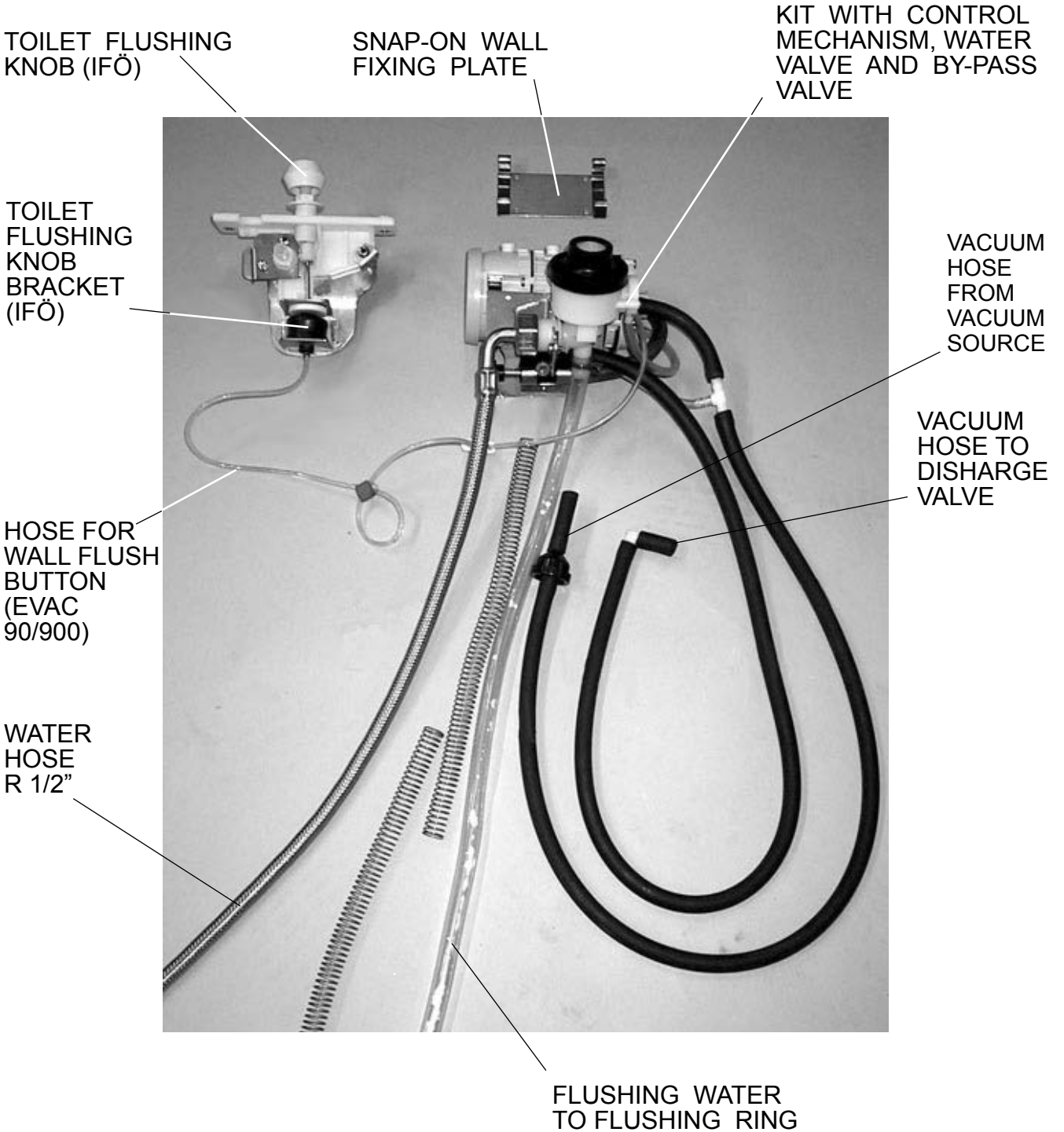


* EVACINCLICK 3 IS ALWAYS DELIVERED WITH A BY-PASS VALVE

VACUUM TOILET

6542341 EVACINCLICK 3* FOR IFÖ, EVAC 90 AND EVAC 900 TOILETS

MAIN COMPONENTS



VACUUM TOILET

6542341 EVACINCLICK 3* FOR IFÖ, EVAC 90 AND EVAC 900 TOILETS

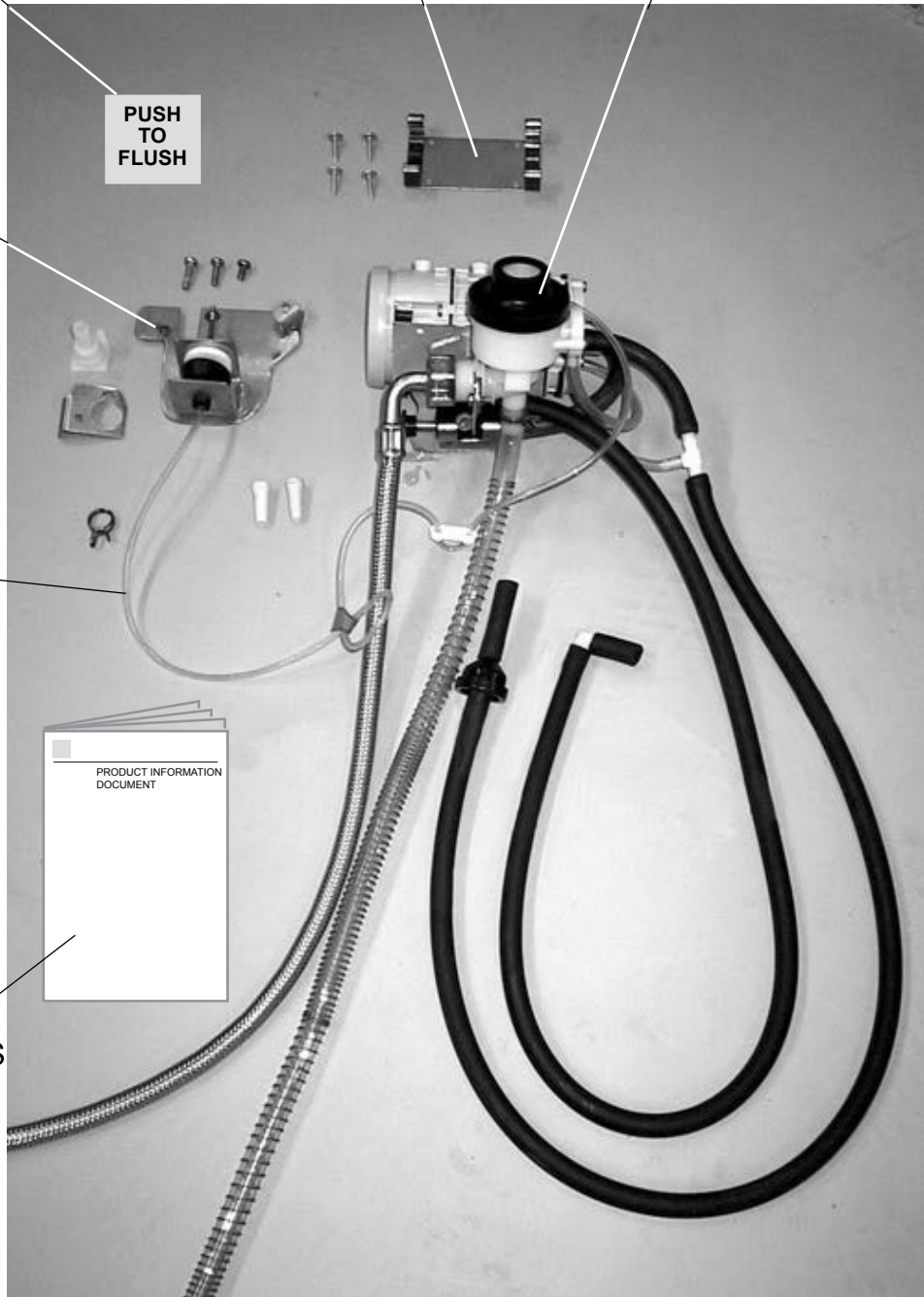
MAIN COMPONENTS AS DELIVERED

“PUSH TO FLUSH” STICKER SNAP-ON FIXING PLATE WITH SCREWS KIT WITH HOSES, CLAMPS AND FLUSH NOZZLES

FLUSHING KNOB BRACKET ASSEMBLY (IFÖ)

HOSE FOR WALL FLUSH BUTTON (EVAC 90/900)

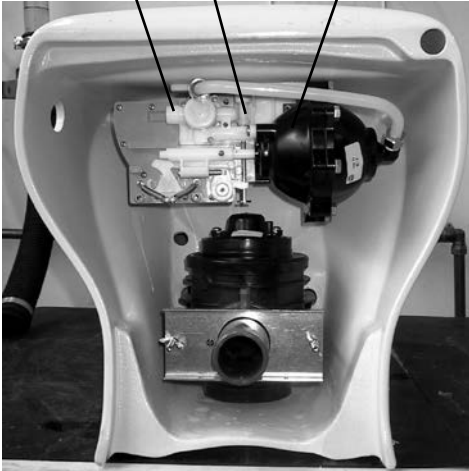
INSTALLATION INSTRUCTIONS



VACUUM TOILET

6542341 EVACINCLICK 3 FOR IFÖ, 90 AND 900 TOILETS

Water connection
Flush knob rod
Flush valve 5435259



Old flush valve removal (only for IFÖ toilets)

- Close the fresh water connection.
- Loosen the flush knob from the flush valve (P/N 5435259).
- Remove the old flush valve (P/N 5435259).
Leave console (P/N 5435349) in it's place.

Console
5435349



Push button installation

- Install the toilet flushing knob bracket to the old console.



- Tighten bracket to the console.

VACUUM TOILET

6542341 EVACINCLICK 3 FOR IFÖ, 90 AND 900 TOILETS



- Install the rod of the push button.
- Adjust the push buttons movement so that the bellow is properly pressed when the push button is pushed down.



Water nipple installation

- Check that the water nipple (P/N 5778991) has O-ring installed.



- Install the water nipple (P/N 5778991) to the console water connection.

VACUUM TOILET

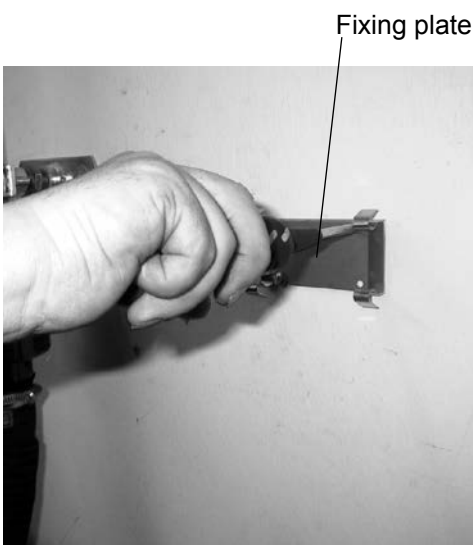
6542341 EVACINCLICK 3 FOR IFÖ, 90 AND 900 TOILETS



- Secure the nipple with the plate and the screws.



- Fine tune the push button movement to right length and contra lock the rod.

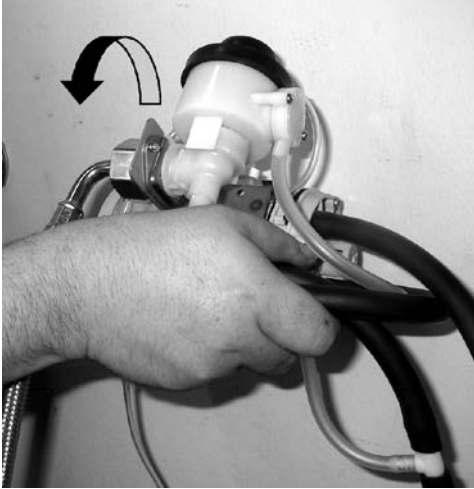


EvacInclick 3 installation onto the back wall (IFÖ, Evac 90 / 900)

- Snap the fixing plate it's place to the wall using the screws about 40 cm above the toilet where easy access is possible.

VACUUM TOILET

6542341 EVACINCLICK 3 FOR IFÖ, 90 AND 900 TOILETS



- Install EvacInclick 3 to the bracket. Press EvacInclick 3 from upper side to the bracket. It will click firmly on it's place.

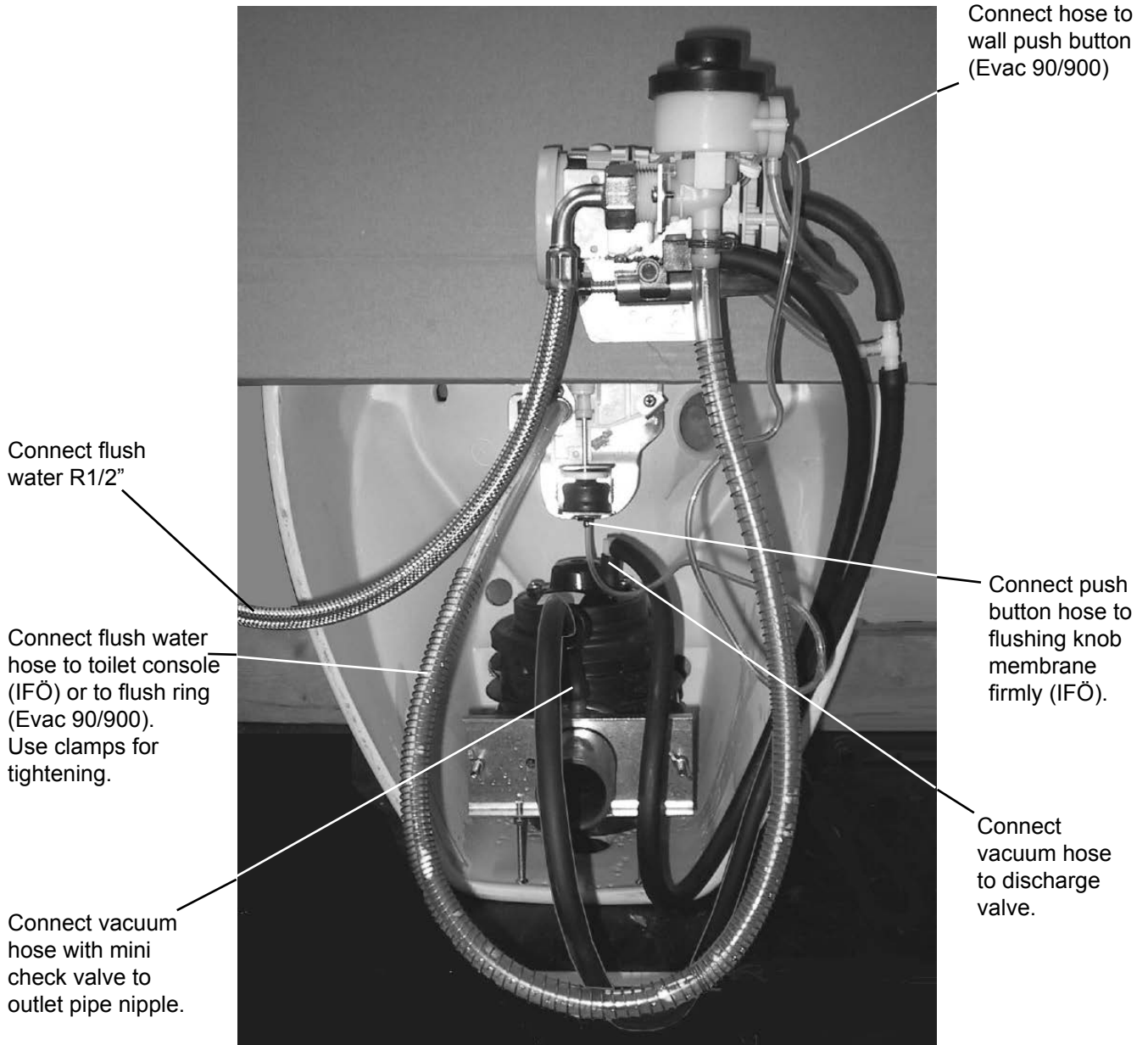
Step 1



Step 2

VACUUM TOILET

6542341 EVACINCLICK 3 FOR IFÖ, 90 AND 900 TOILETS



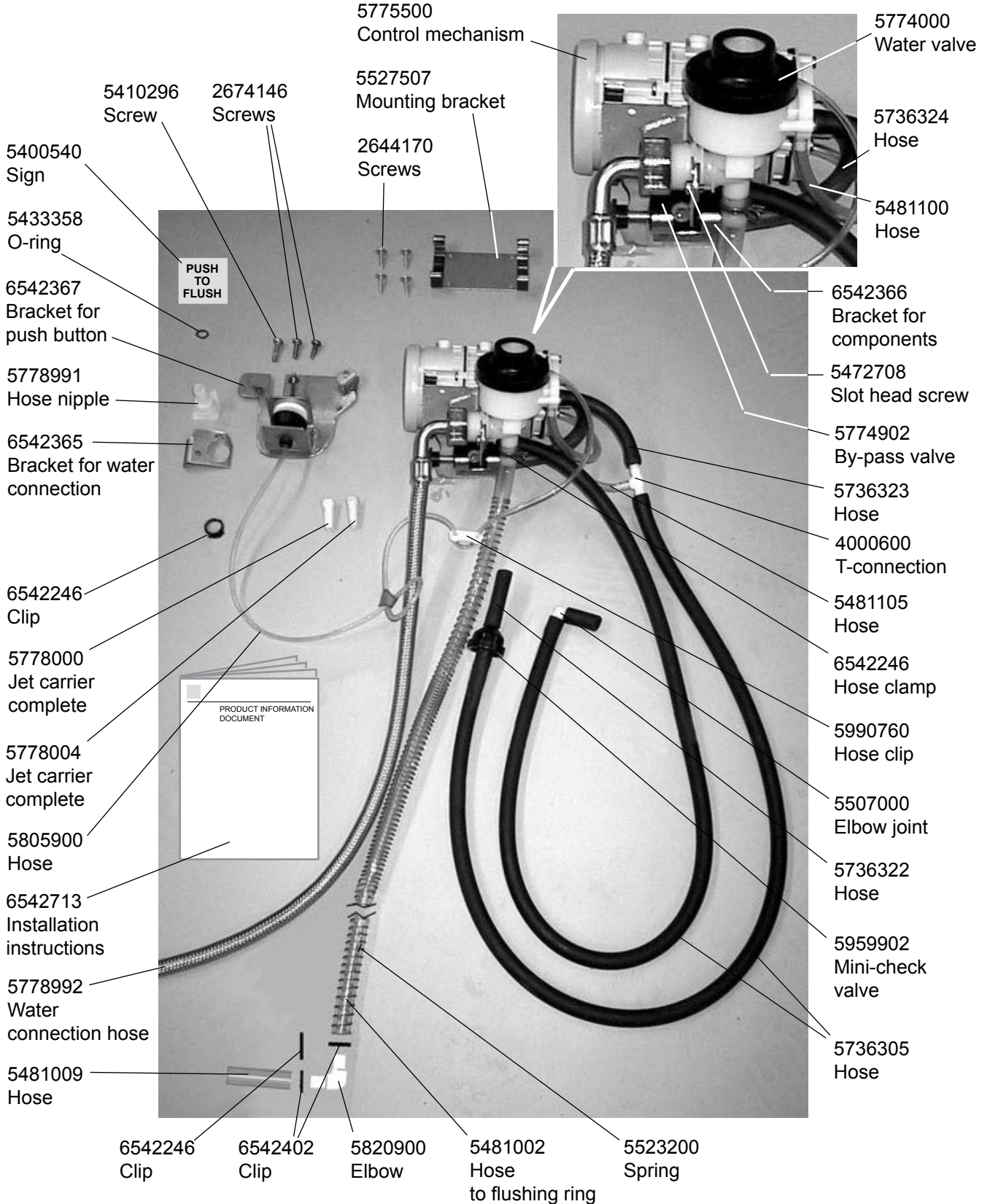
Start-up

- Clean the bottom of the toilet bowl.
- Check that the mini-check valve and the discharge valve are clean and working correctly.
- Check that the water supply hose and the filter of the water valve are not blocked up.
- Check that sufficient vacuum (-30 kPa) is available.
- Open the water supply valve in the water supply piping.
- Press the toilet push button. Pressing the button starts the flushing sequence. The discharge valve opens and the contents of the bowl are extracted by vacuum. At the same time the bowl is rinsed by water.
- When the discharge valve has been closed, the water pool is restored.

! NOTE: Check that the cover of the toilet does not press the push button when the cover is opened (IFÖ).

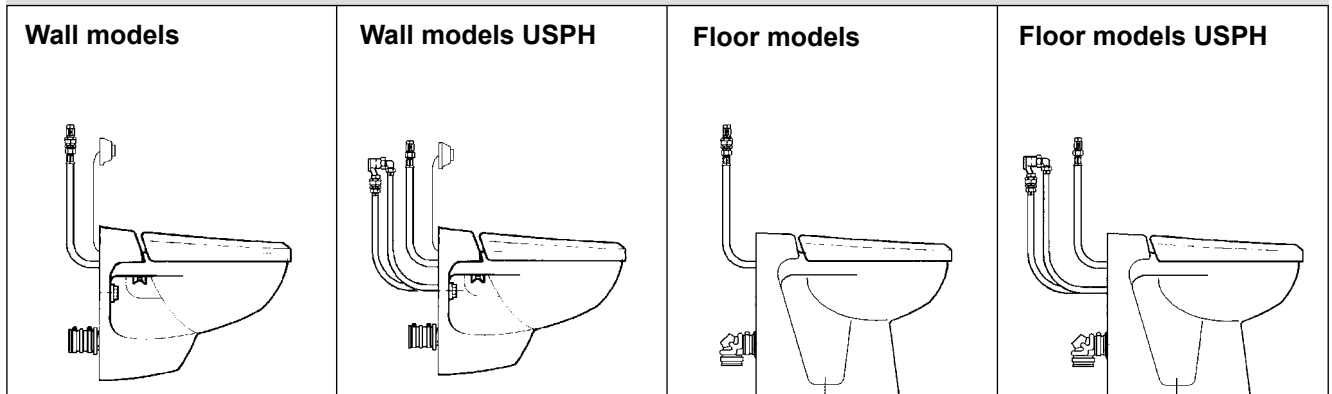
VACUUM TOILET

6542341 EVACINCLICK 3 FOR IFÖ / EVAC 90 / EVAC 900 TOILETS

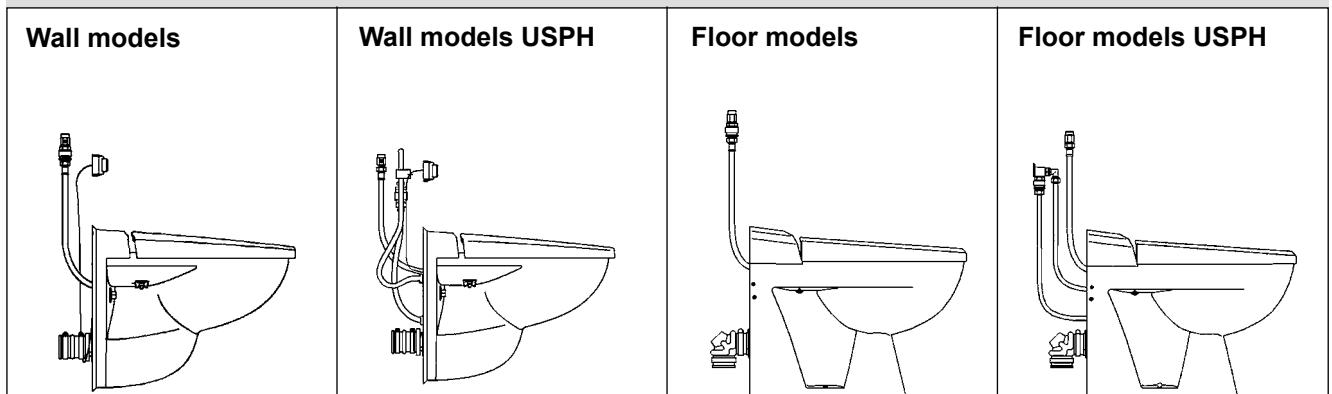


EVAC 90 AND 900 TYPE TOILETS

EVAC 90 TYPE TOILETS:



EVAC 900 TYPE TOILETS:



Spare parts:

[Evac 90 toilets](#)

[Evac 900 toilets](#)

[Replacing products](#)

[Recommended products](#)



EVAC 90 AND 900 TYPE TOILETS

EVAC 90 TYPE TOILETS

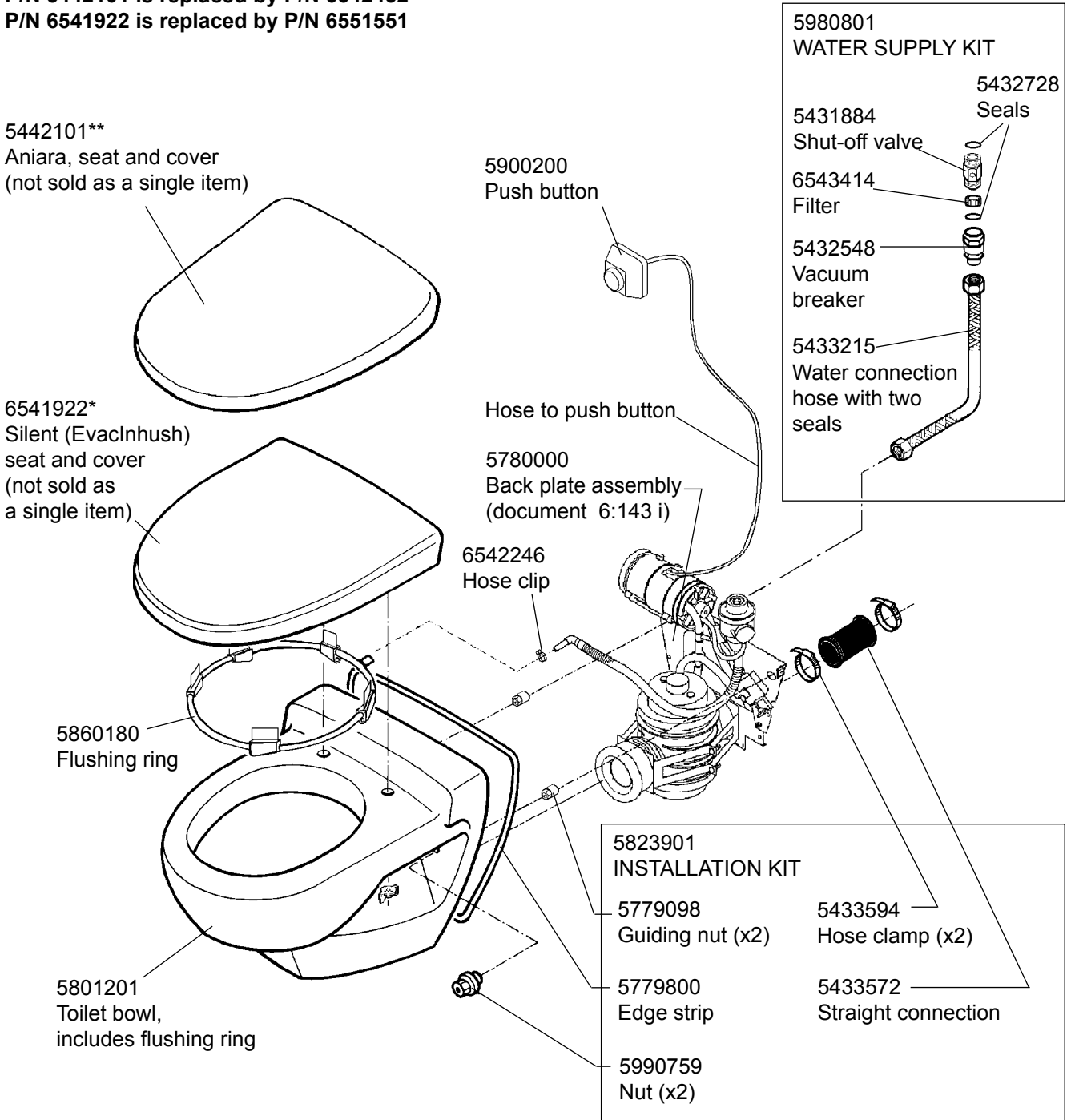
[Spare parts](#)

VACUUM TOILET

5185101 EVAC 90, WALL MODEL, SILENT (EVACINHUSH)*, (not sold as a single item)
 5135101 EVAC 90, WALL MODEL, ANIARA**, (not sold as single item)

P/N 5185101 and P/N 6542969 are replaced by P/N 6543418
 P/N 5135101 and P/N 6540964 are replaced by P/N 6543419

P/N 5442101 is replaced by P/N 6542432
 P/N 6541922 is replaced by P/N 6551551



VACUUM TOILET

- 5295101 EVAC 90, WALL MODEL USPH, SILENT (EVACINHUSH)*, (not sold as a single item)
- 5255101 EVAC 90, WALL MODEL USPH, ANIARA**, (not sold as a single item)

P/N 5295101 and P/N 6542970 are replaced by P/N 6543420
 P/N 5255101 and P/N 6540966 are replaced by P/N 6543421

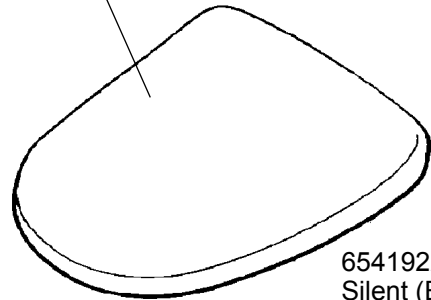
P/N 5442101 is replaced by P/N 6542432
 P/N 6541922 is replaced by P/N 6551551

6541772
 WATER SUPPLY KIT
 (document 6:01024J)

P/N 5980701 is replaced by P/N 6541772
 P/N 5980700 is replaced by P/N 6541409

- 5432728 Seal
- 5431884 Shut-off valve
- 5433215 Water connection hose
- 6541409 Vacuum breaker, USPH

5442101**
 Aniara, seat and cover
 (not sold as a single item)



5900200
 Push button

5805900
 Hose to push button

6541922*
 Silent (Evaclnhush),
 seat and cover
 (not sold as a single item)

5780006
 Back plate assembly
 (document 6:149E)

6542246
 Hose clip

5860180
 Flushing
 ring

5801201
 Toilet bowl,
 includes flushing ring

5779098
 Guiding nut (x2)

5433594
 Hose clamp (x2)

5779800
 Edge strip

5433572
 Straight connection

5990759
 Nut (x2)

5823901
 INSTALLATION KIT

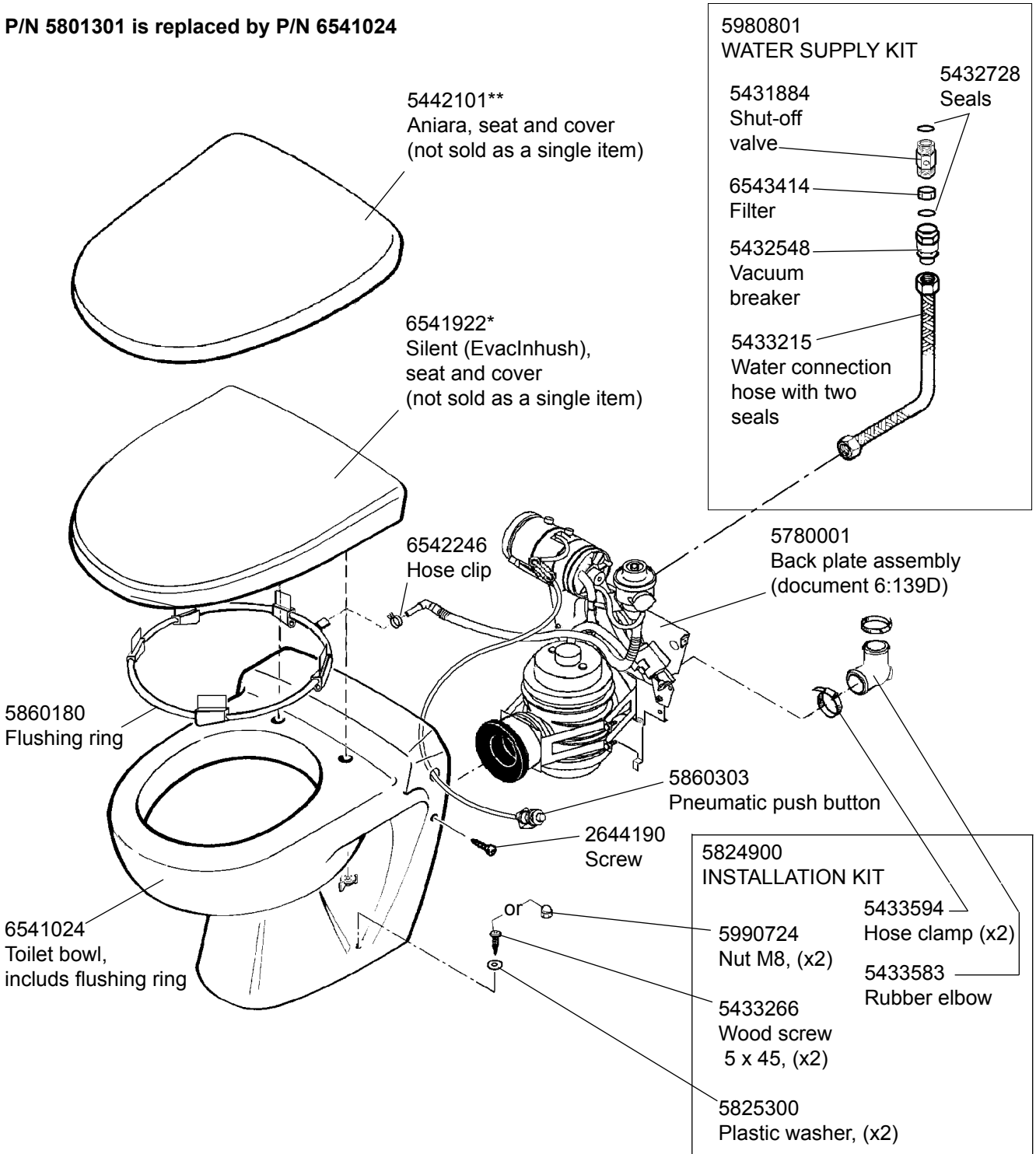
VACUUM TOILET

5332301 EVAC 90, FLOOR MODEL, SILENT (EVACINHUSH)*, (not sold as a single item)
 5332101 EVAC 90, FLOOR MODEL, ANIARA**, (not sold as a single item)

P/N 5332301 and P/N 6541004 are replaced by P/N 6545825
 P/N 43261, P/N 5326101, P/N 5332101 and P/N 6541005 are replaced by P/N 6545826

P/N 5442101 is replaced by P/N 6542432
 P/N 6541922 is replaced by P/N 6551551

P/N 5801301 is replaced by P/N 6541024



VACUUM TOILET

6540701 EVAC 90, FLOOR MODEL USPH, SILENT (EVACINHUSH)*, (not sold as a single item)

6540601 EVAC 90, FLOOR MODEL USPH, ANIARA**, (not sold as a single item)

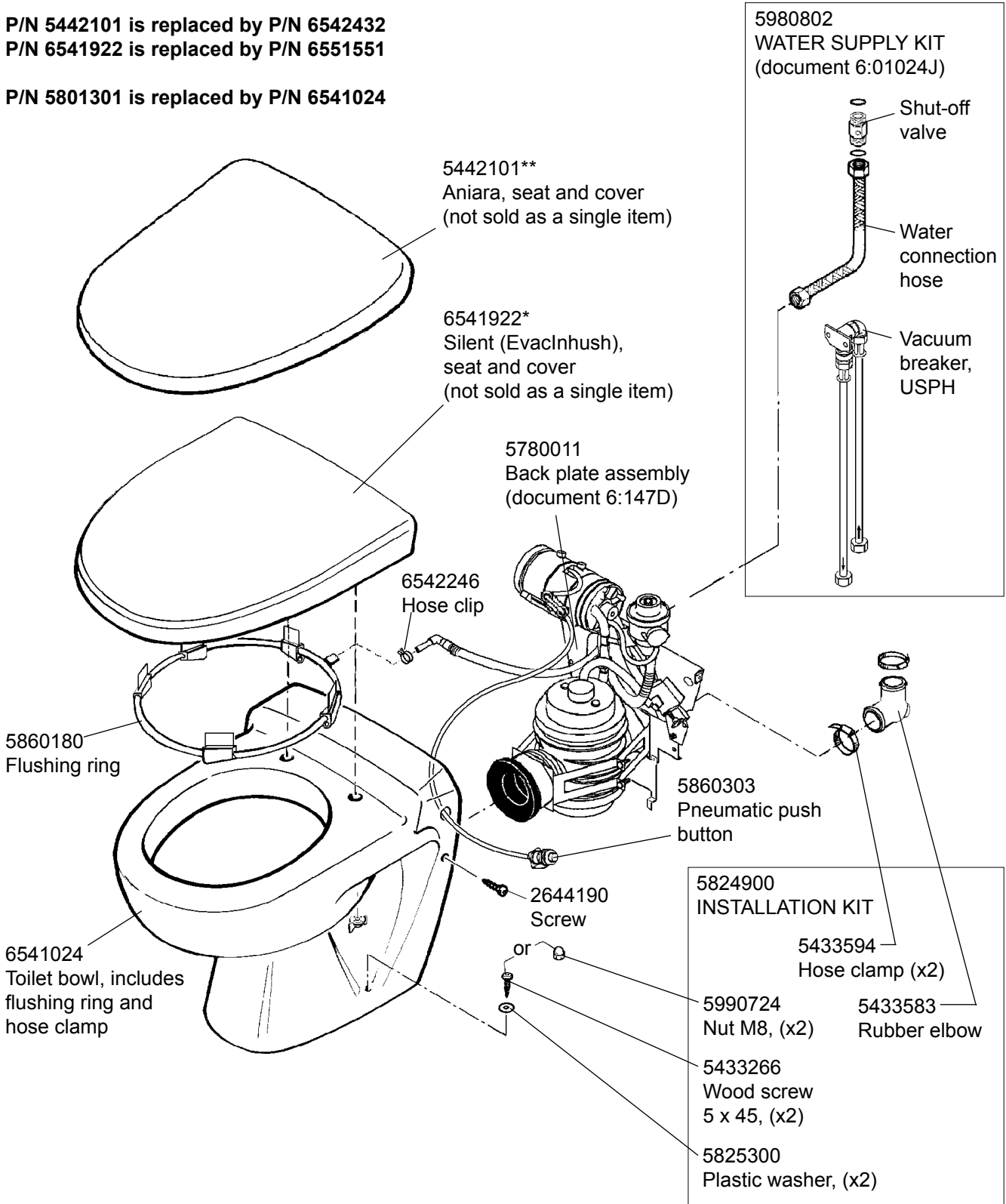
P/N 5276101, P/N 6540701 and P/N 6541006 are replaced by P/N 6545827

P/N 5246101, P/N 6540601 and P/N 6541007 are replaced by P/N 6545828

P/N 5442101 is replaced by P/N 6542432

P/N 6541922 is replaced by P/N 6551551

P/N 5801301 is replaced by P/N 6541024

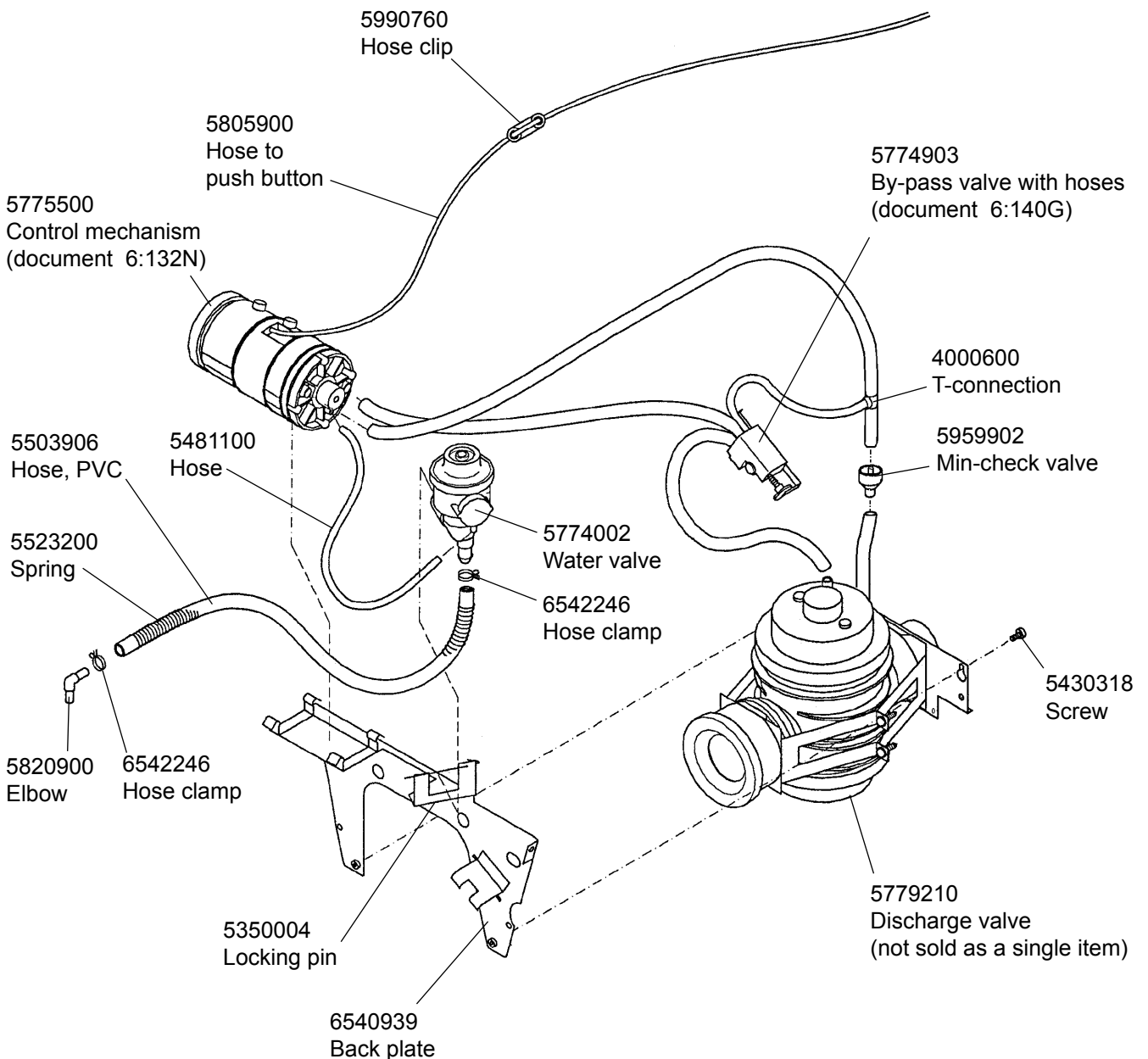


VACUUM TOILET

5780000 BACK PLATE ASSEMBLY, EVAC 90, WALL MODELS

P/N 5800000 is replaced by P/N 5780000

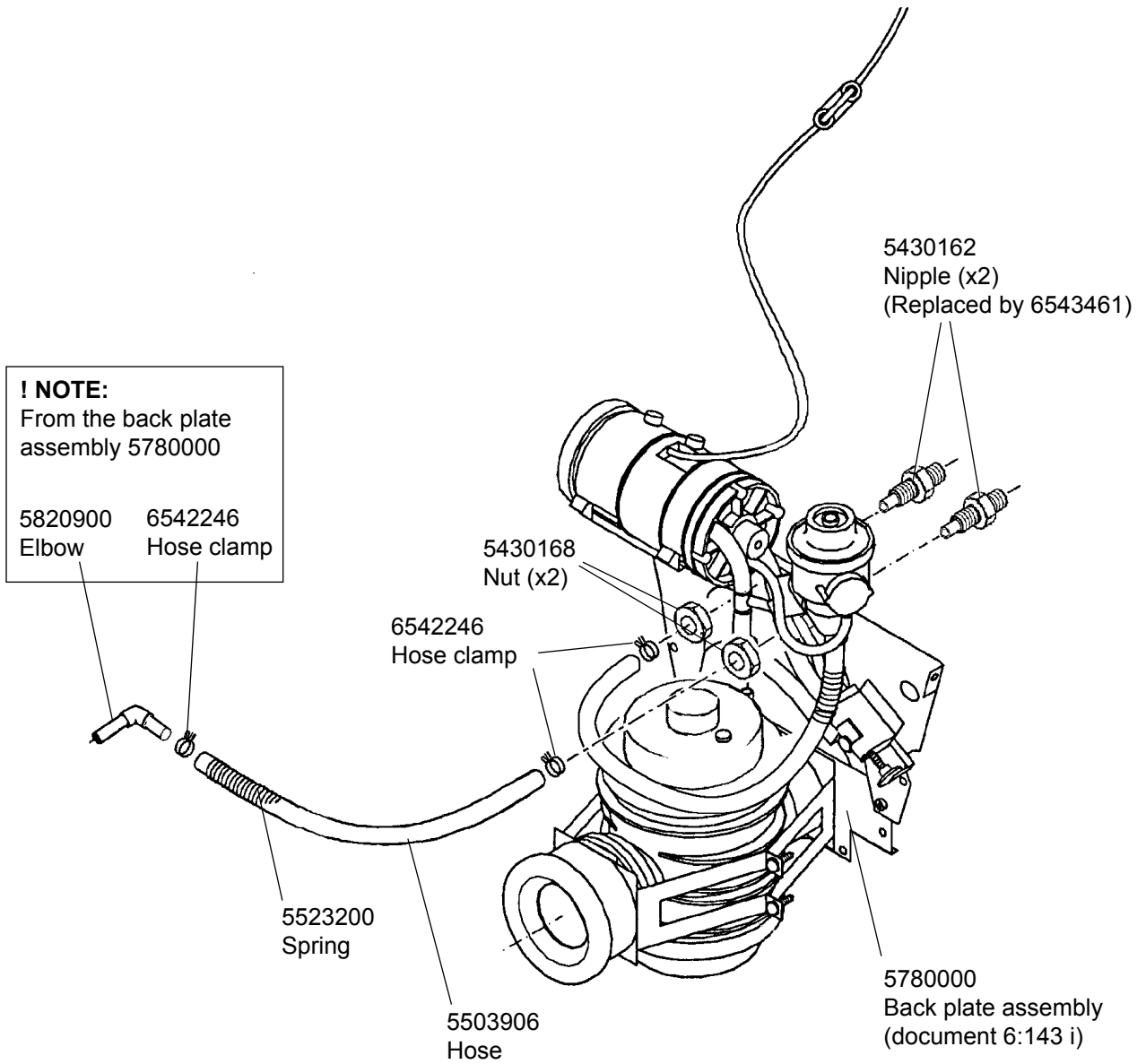
P/N 5779210 Discharge valve (not sold as a single item) and P/N 6542958 EvacInflux 1 (not sold as a single item) are replaced by P/N 6544801 EvacInflux silent valve.



VACUUM TOILET

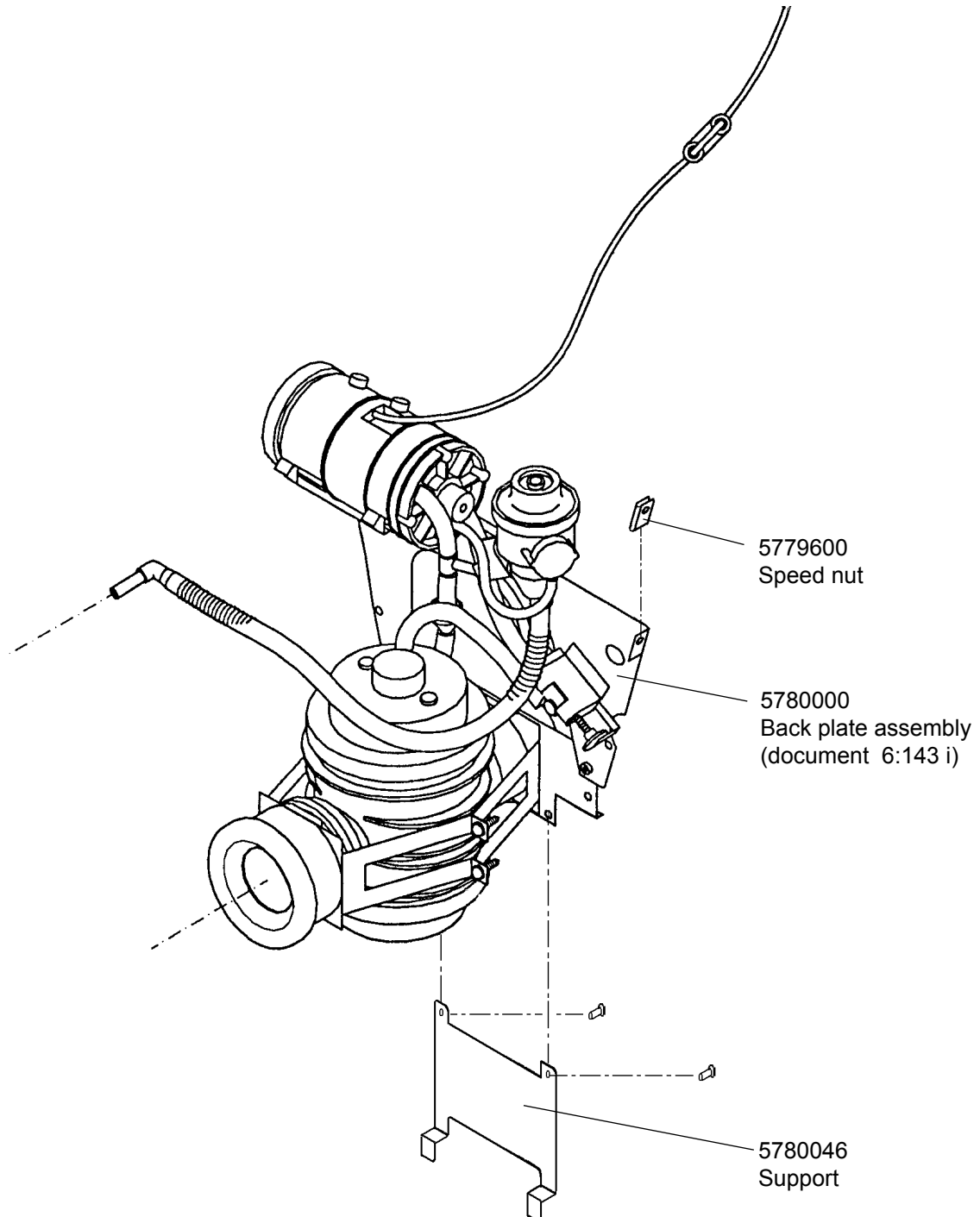
5780006 BACK PLATE ASSEMBLY, EVAC 90, WALL MODELS USPH

P/N 5430162 is replaced by P/N 6543461



VACUUM TOILET

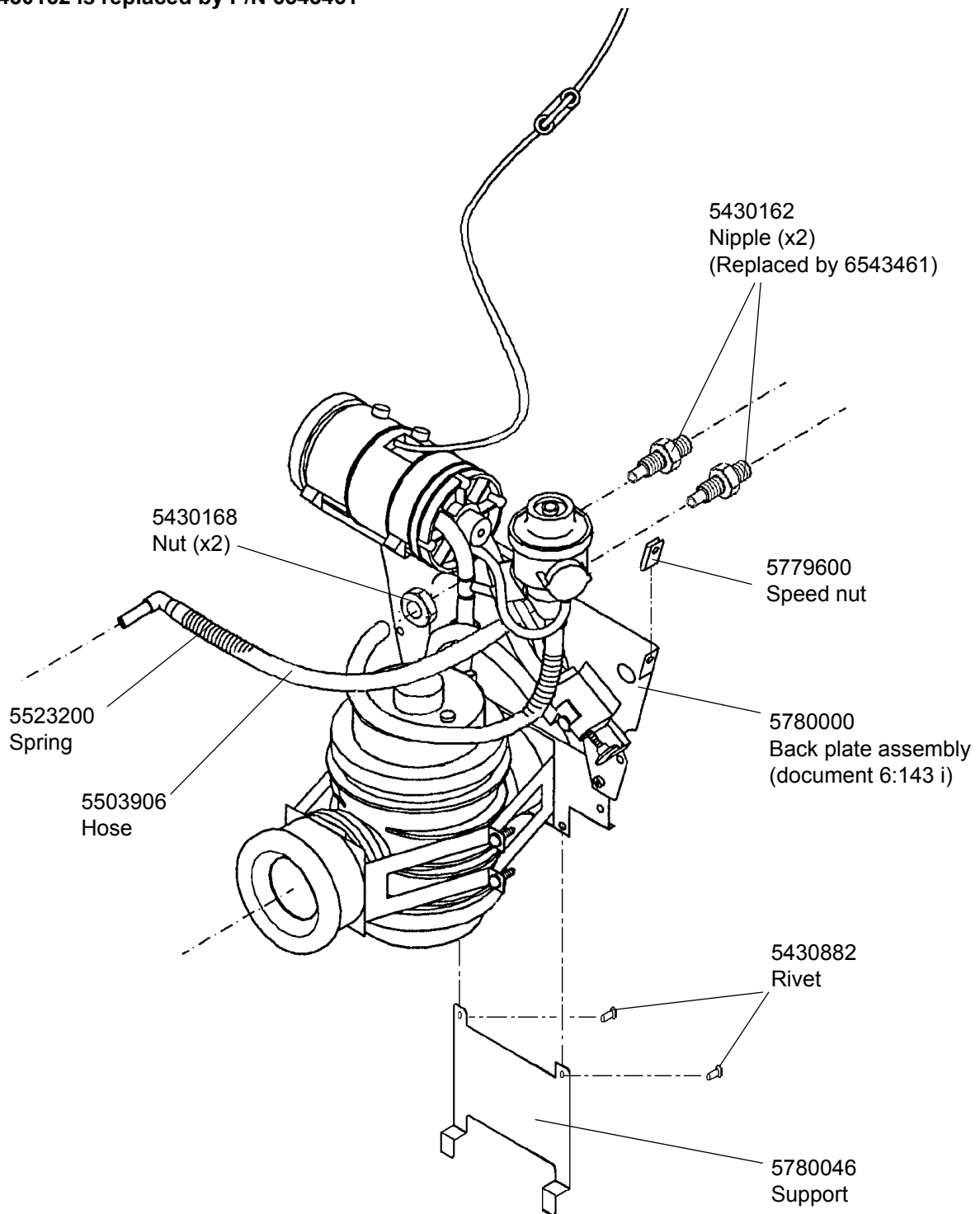
5780001 BACK PLATE ASSEMBLY, EVAC 90, FLOOR MODEL



VACUUM TOILET

5780011 BACK PLATE ASSEMBLY, EVAC 90, FLOOR MODEL USPH

P/N 5430162 is replaced by P/N 6543461

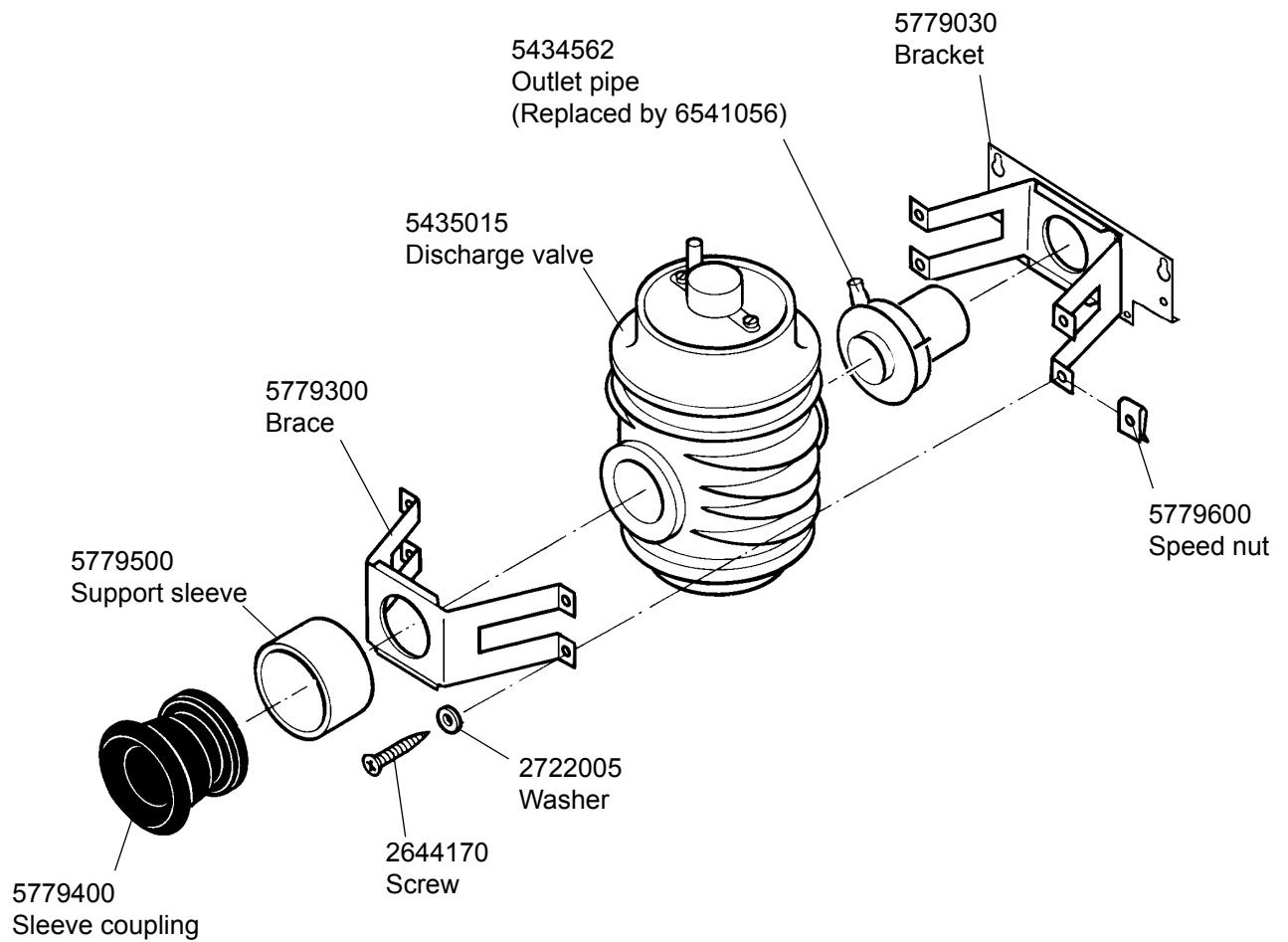


VACUUM TOILET

5779210 DISCHARGE VALVE ASSEMBLY FOR EVAC 90 TOILETS, (not sold as a single item)

P/N 5779210 is replaced by P/N 6544801

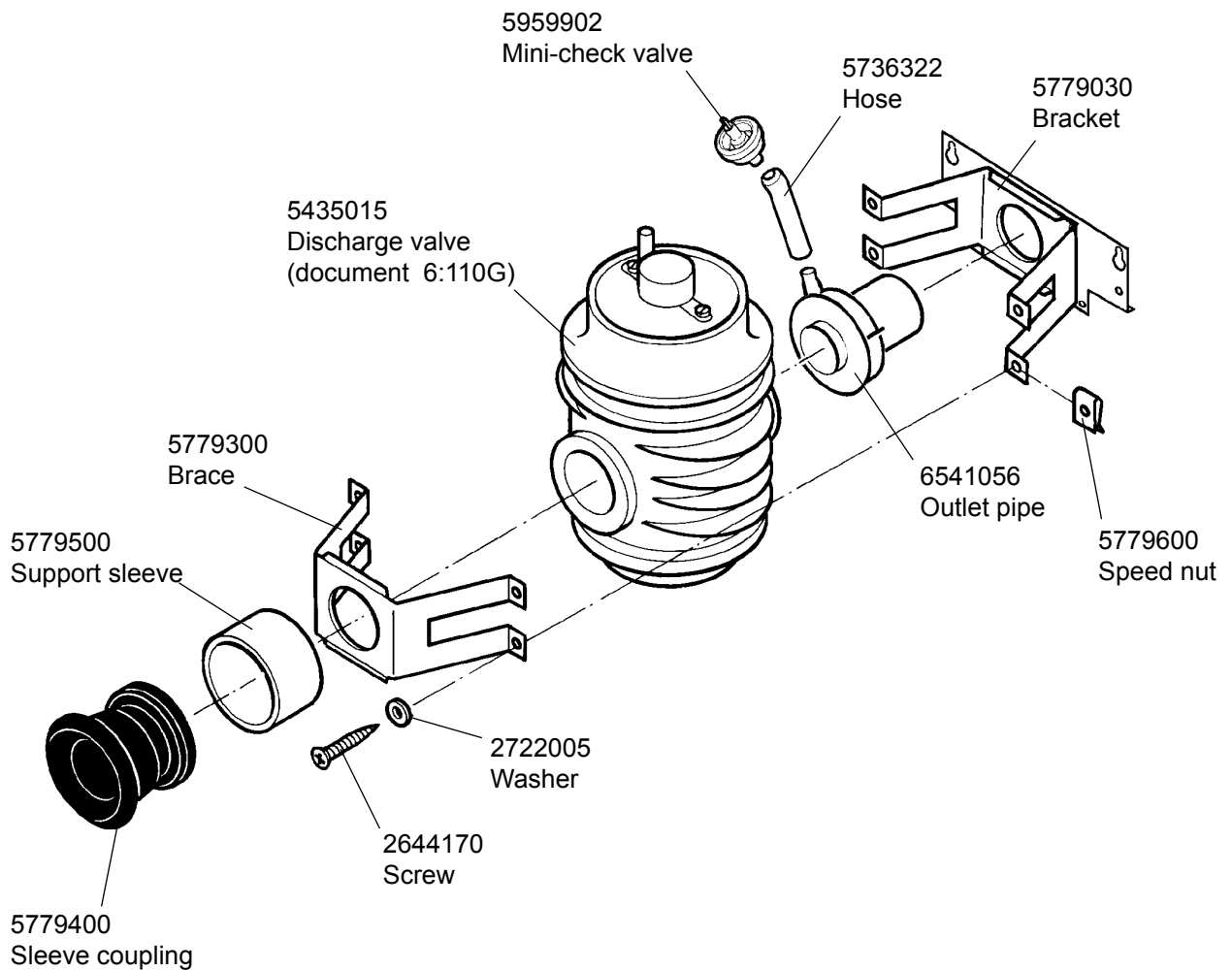
P/N 5434562 is replaced by P/N 6541056



VACUUM TOILET

6542958 EVACINFLUX 1, DISCHARGE VALVE ASSEMBLY FOR EVAC 90/900 TOILETS WITH STEEL BACK PLATE , (not sold as a single item)

P/N 5779210 and P/N 6542958 are replaced by P/N 6544801



VACUUM TOILET

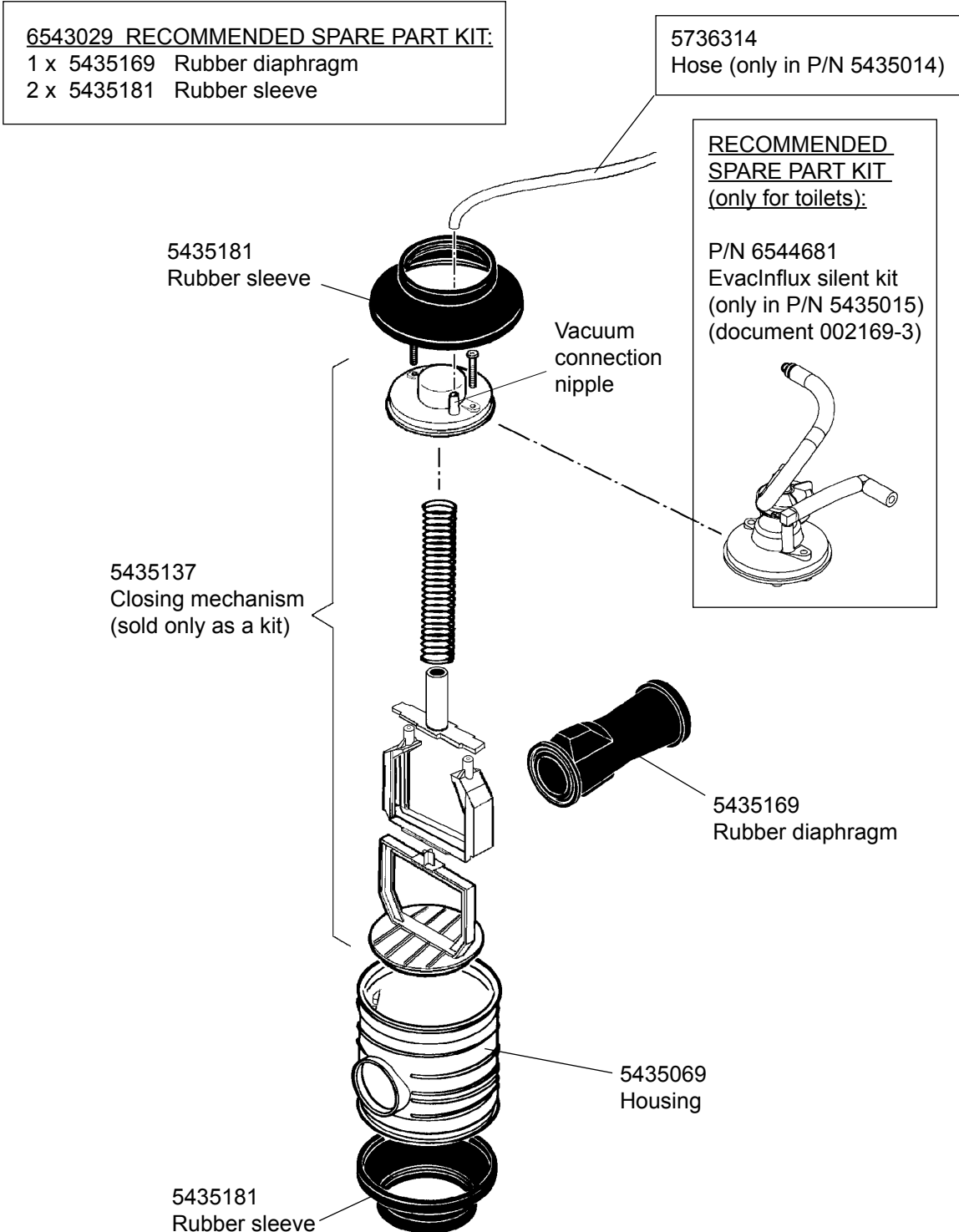
5435014 DISCHARGE VALVE

5435015 DISCHARGE VALVE

P/N 43501.3 and P/N 5435013 are replaced by P/N 5435014

P/N 5435015 Discharge valve (see diagram below).

P/N 5435014 Discharge valve includes Discharge valve P/N 5435015 + Hose (L = 210 mm) P/N 5736314.

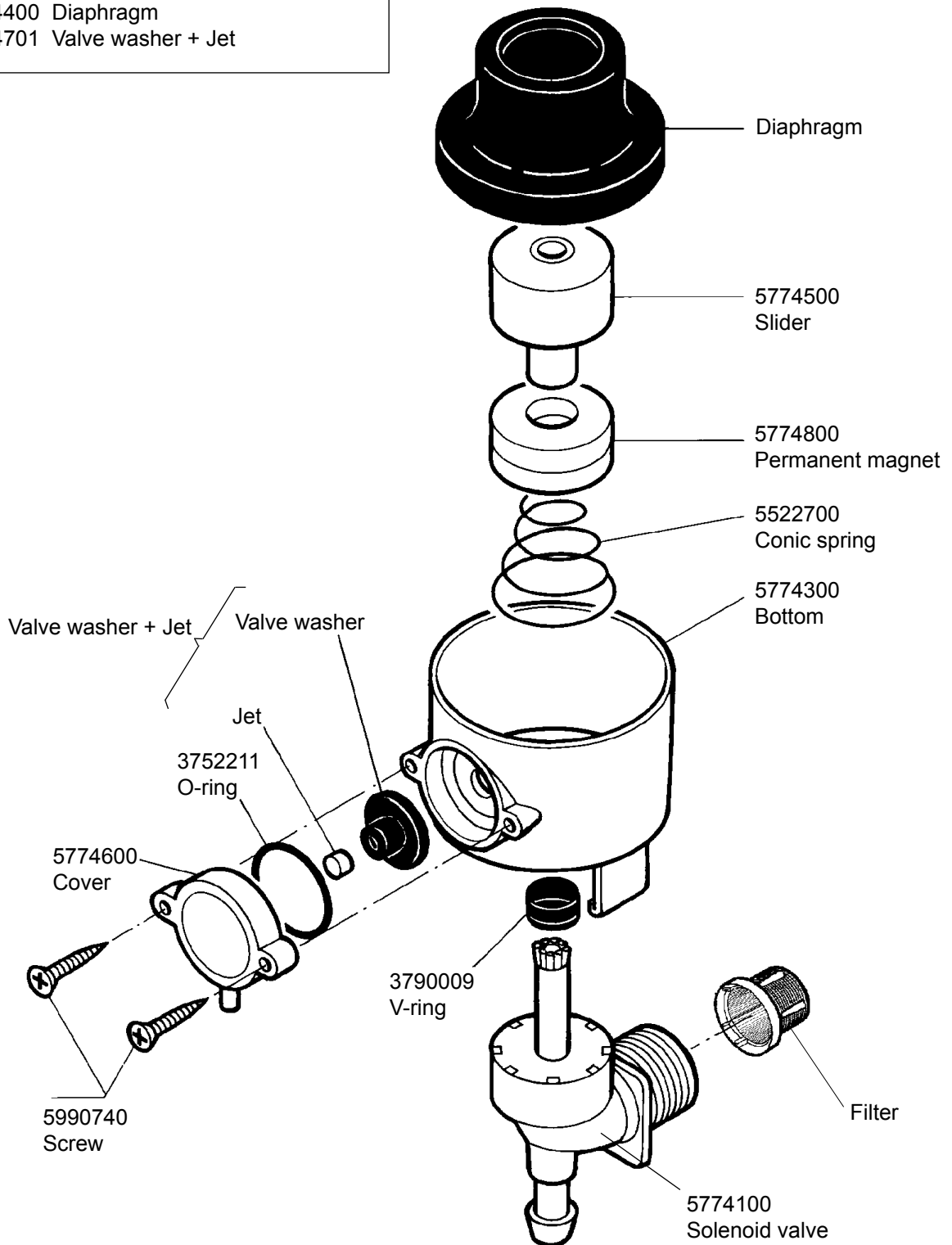


VACUUM TOILET

5774002 WATER VALVE

6543030 RECOMMENDED SPARE PART KIT:

- 1 x 3790009 V-ring
- 1 x 5774150 Filter
- 1 x 5774400 Diaphragm
- 1 x 5774701 Valve washer + Jet



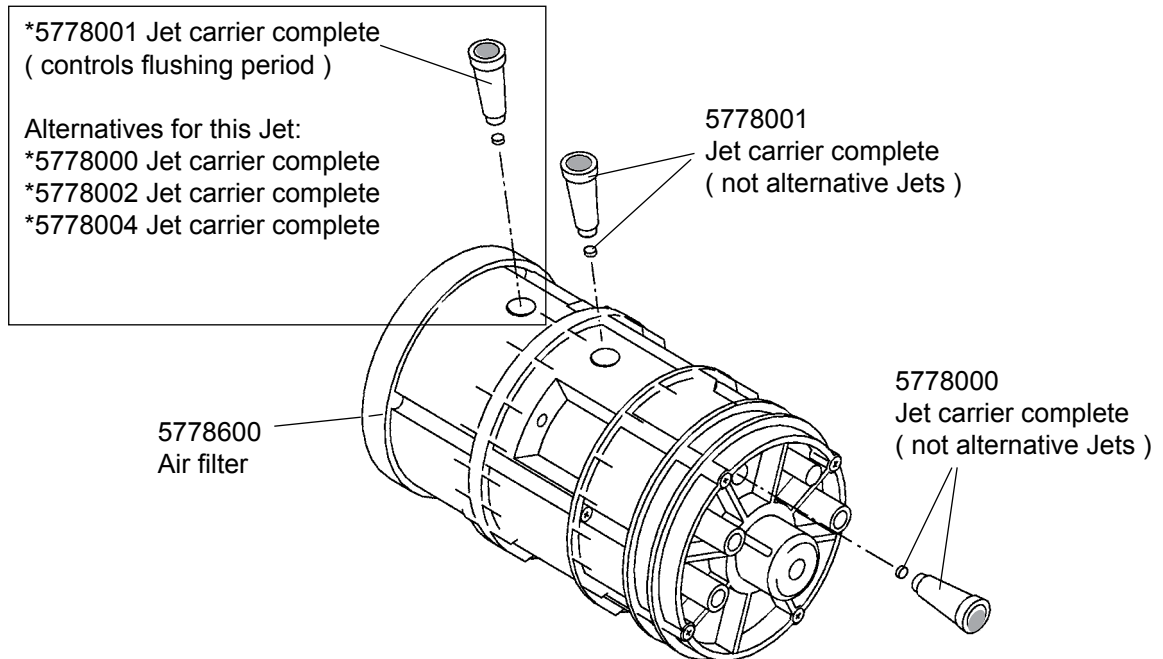
VACUUM TOILET

5775500 CONTROL MECHANISM

5881000 SPARE PART KIT FOR CONTROL MECHANISM (EVAC 90 AND 900 MODEL TOILETS)

6546688 SPARE PART KIT FOR CONTROL MECHANISM (EVAC 910 AND 912 MODEL TOILETS, TOILET WITH AUTOFLUSH UNIT, STAINLESS STEEL TOILET, SQUATTING TOILET)

P/N 5775500 Control mechanism



* Jet carrier identification:

P/N	Colour	Size	Effect
5778004	Yellow	0.20	Extra long flushing period
5778000	White	0.30	Long flushing period
5778001	Blue	0.40	Normal flushing period
5778002	Red	0.50	Short flushing period

! NOTE: See also the operation and maintenance documents:

Doc. 3:111E, Control mechanism (Evac 90 and 900 model toilets)

Doc. 002032-3, Control mechanism (Evac 910 model toilets)

Doc. 002474-2, Control mechanism (Evac 910 Stainless steel toilets)

Doc. 3:01103C, Control mechanism (Evac 910, Squatting toilet)

P/N 5881000 Spare part kit (Evac 90 and 900 model toilets)

P/N	Description	Pcs
5778600	Air filter	1
5778001	Jet carrier complete	2
5778000	Jet carrier complete	1
5778700	Filter	1
5959902	Mini-check valve	1

P/N 6546688 Spare part kit

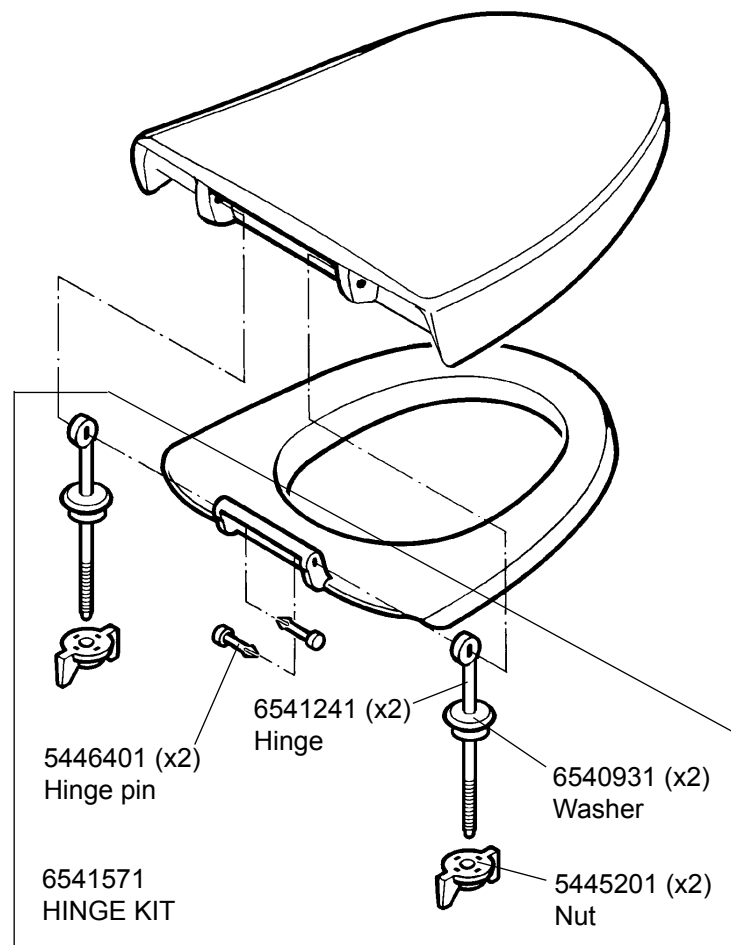
(Evac 910 and 912 model toilets, toilet with Autoflush unit, Stainless steel toilet, Squatting toilet)

P/N	Description	Pcs
5778600	Air filter	1
5778001	Jet carrier complete	2
5778000	Jet carrier complete	1
5778700	Filter	1
6545052	Mini-check valve kit	1

VACUUM TOILET

6541922 SILENT, SEAT AND COVER (not sold as a single item)
FOR EVAC 90 WALL AND FLOOR MODEL TOILETS, EVAC 900 AND EVAC 910 FLOOR
MODEL TOILETS

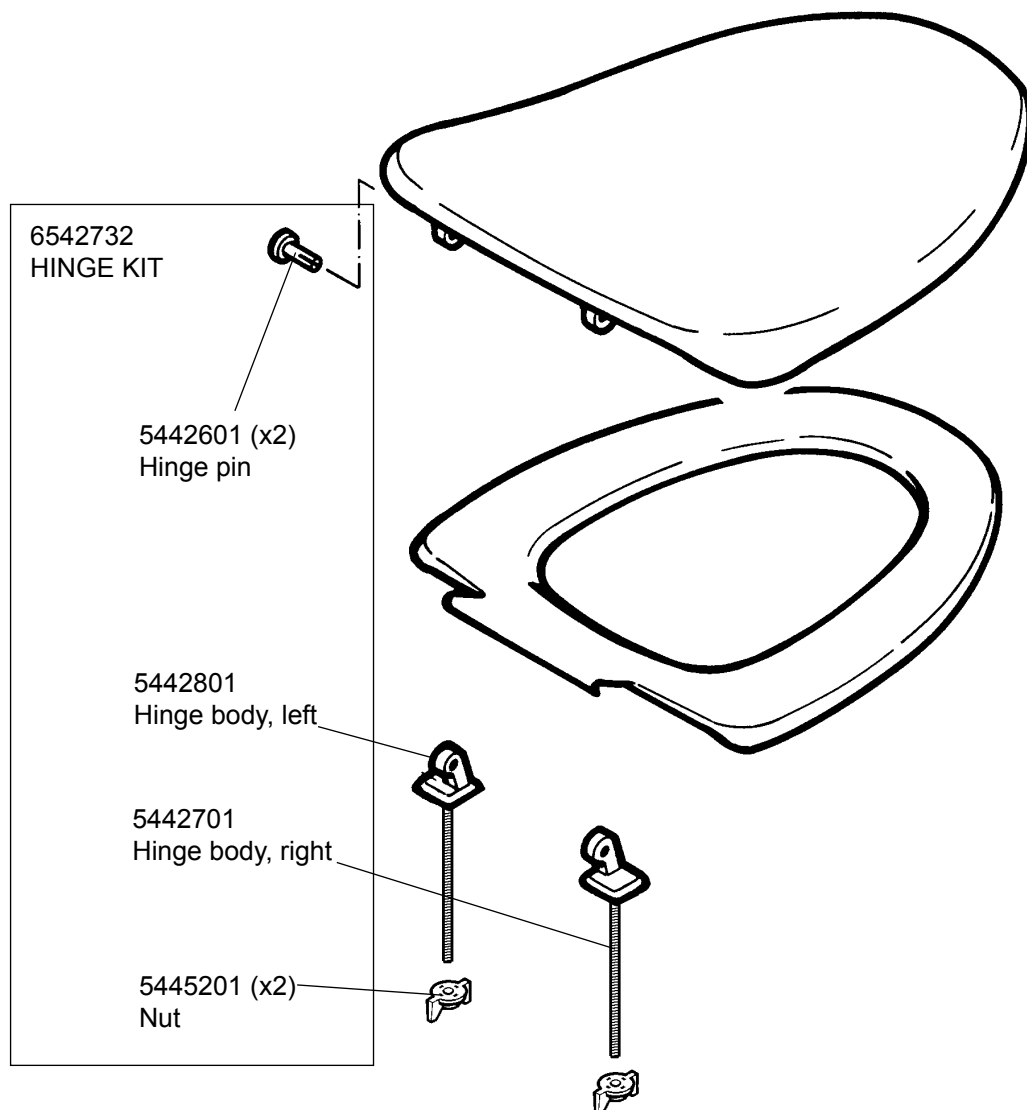
P/N 5446101 and P/N 6541922 are replaced by P/N 6551551



VACUUM TOILET

5442101 ANIARA, SEAT AND COVER (not sold as a single item), FOR EVAC 90 WALL AND FLOOR MODEL TOILETS, EVAC 900 AND 910 FLOOR MODEL TOILETS

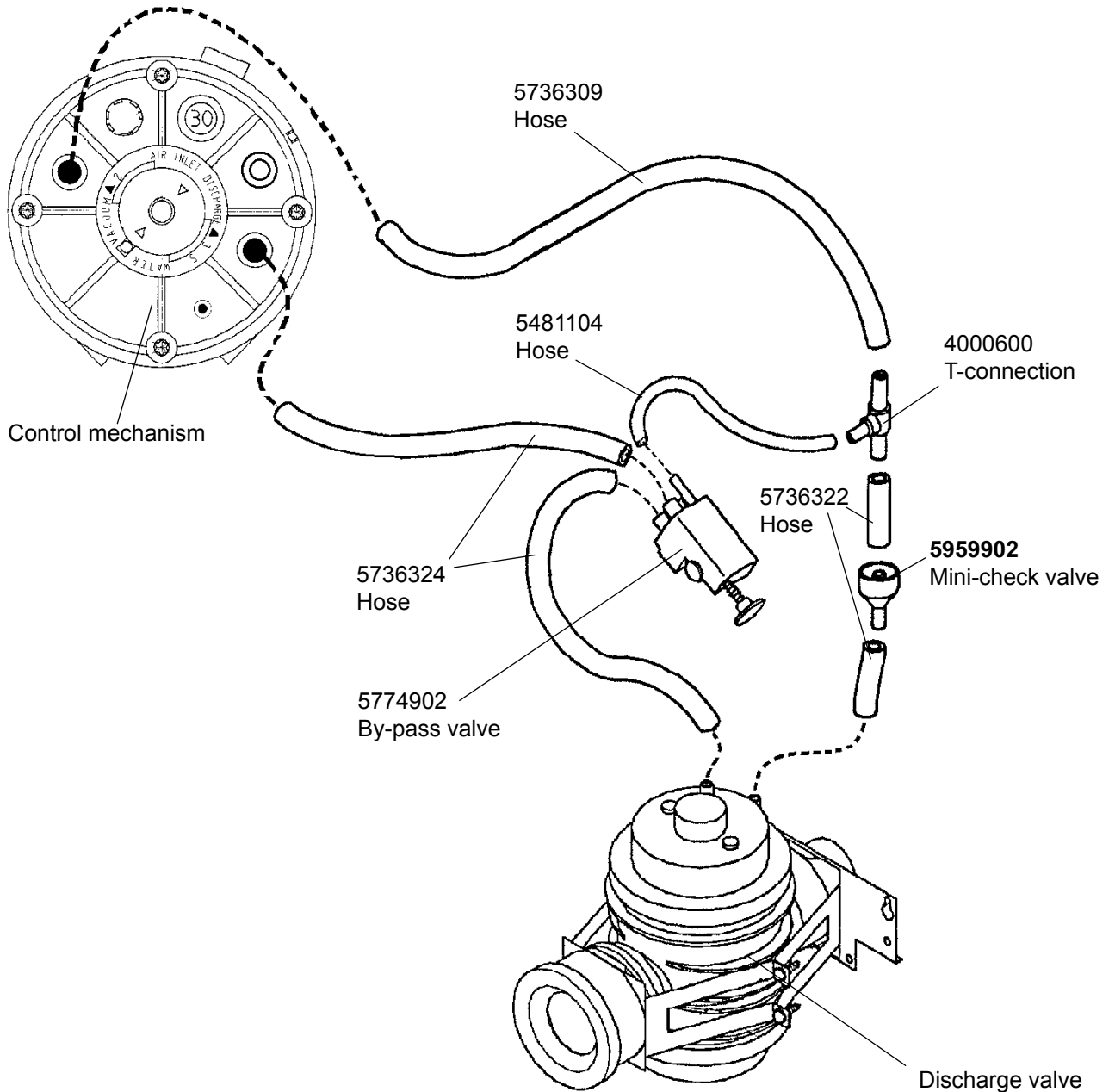
P/N 5442101 is replaced by P/N 6542432



VACUUM TOILET

5774903 BY-PASS VALVE WITH HOSES, EVAC 90, WALL AND FLOOR MODELS

P/N 5959901 Mini-check valve is replaced by P/N 5959902 Mini-check valve.



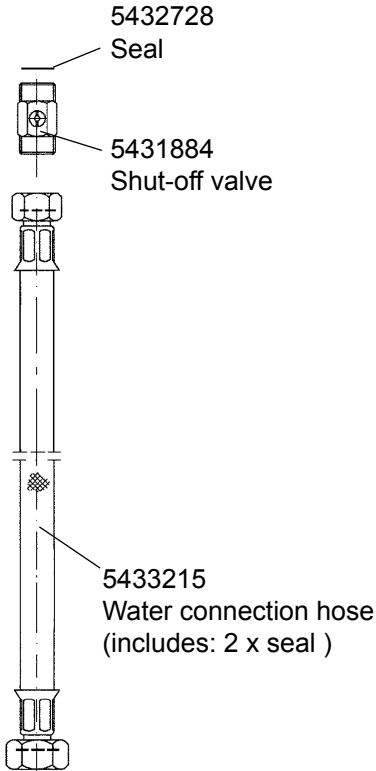
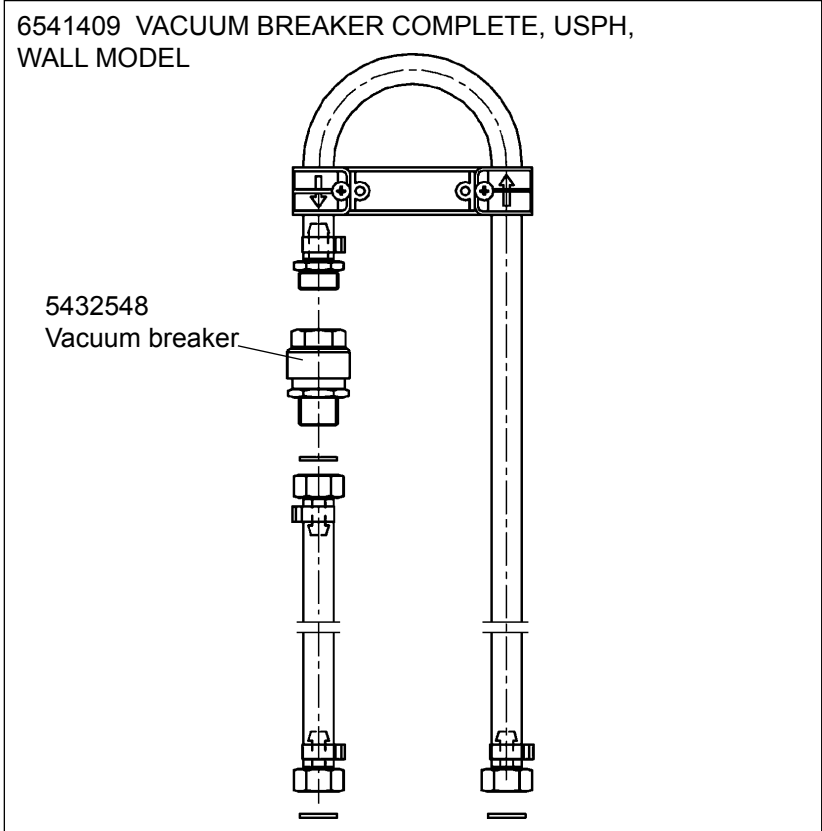
Control mechanism and Discharge valve do not include in P/N 5774903

VACUUM TOILET

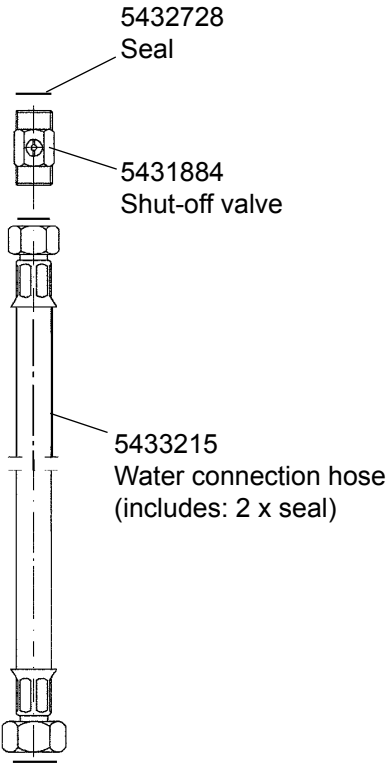
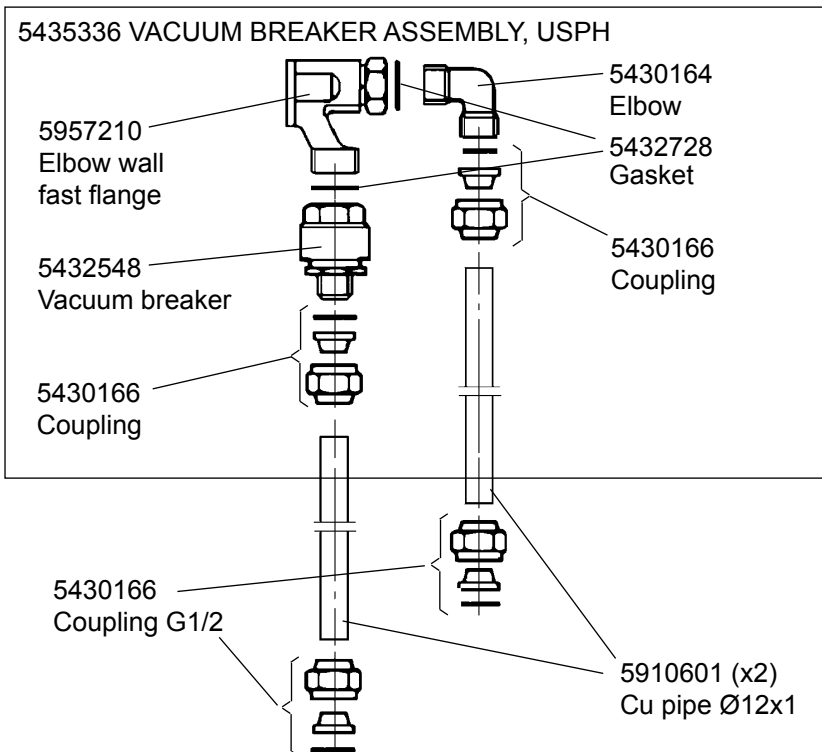
6541772 WATER SUPPLY KIT, USPH, FOR EVAC 900 AND EVAC 910 TOILETS, WALL MODELS

5980802 WATER SUPPLY KIT, USPH, FOR EVAC 90, 900, AND EVAC 910 TOILETS, FLOOR MODELS

P/N 6541772 Water supply kit, USPH

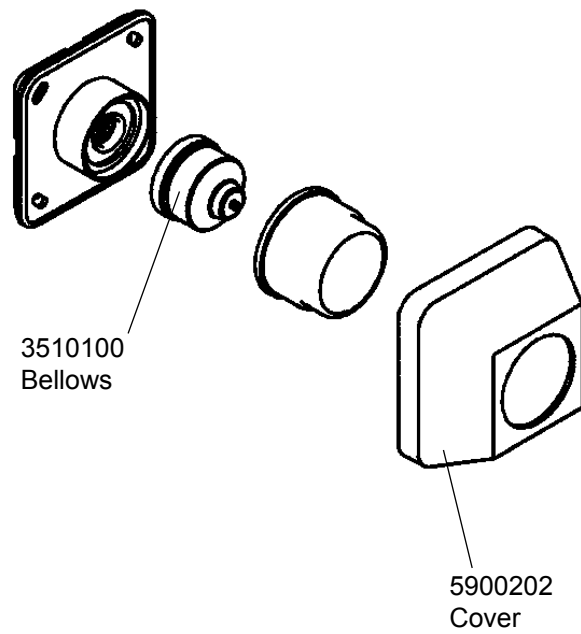


P/N 5980802 Water supply kit, USPH



VACUUM TOILET

5900200 PNEUMATIC PUSH BUTTON FOR EVAC 90 TOILETS





EVAC 90 AND 900 TYPE TOILETS

EVAC 900 TYPE TOILETS

[Spare parts](#)

VACUUM TOILET

6542969 EVAC 900, WALL MODEL, PRESTIGE, WHITE

6540964 EVAC 900, WALL MODEL, MOSAIK, WHITE

P/N 6542969 is replaced by P/N 6543418

P/N 6540964 is replaced by P/N 6543419

P/N 6542928 is replaced by P/N 6546818

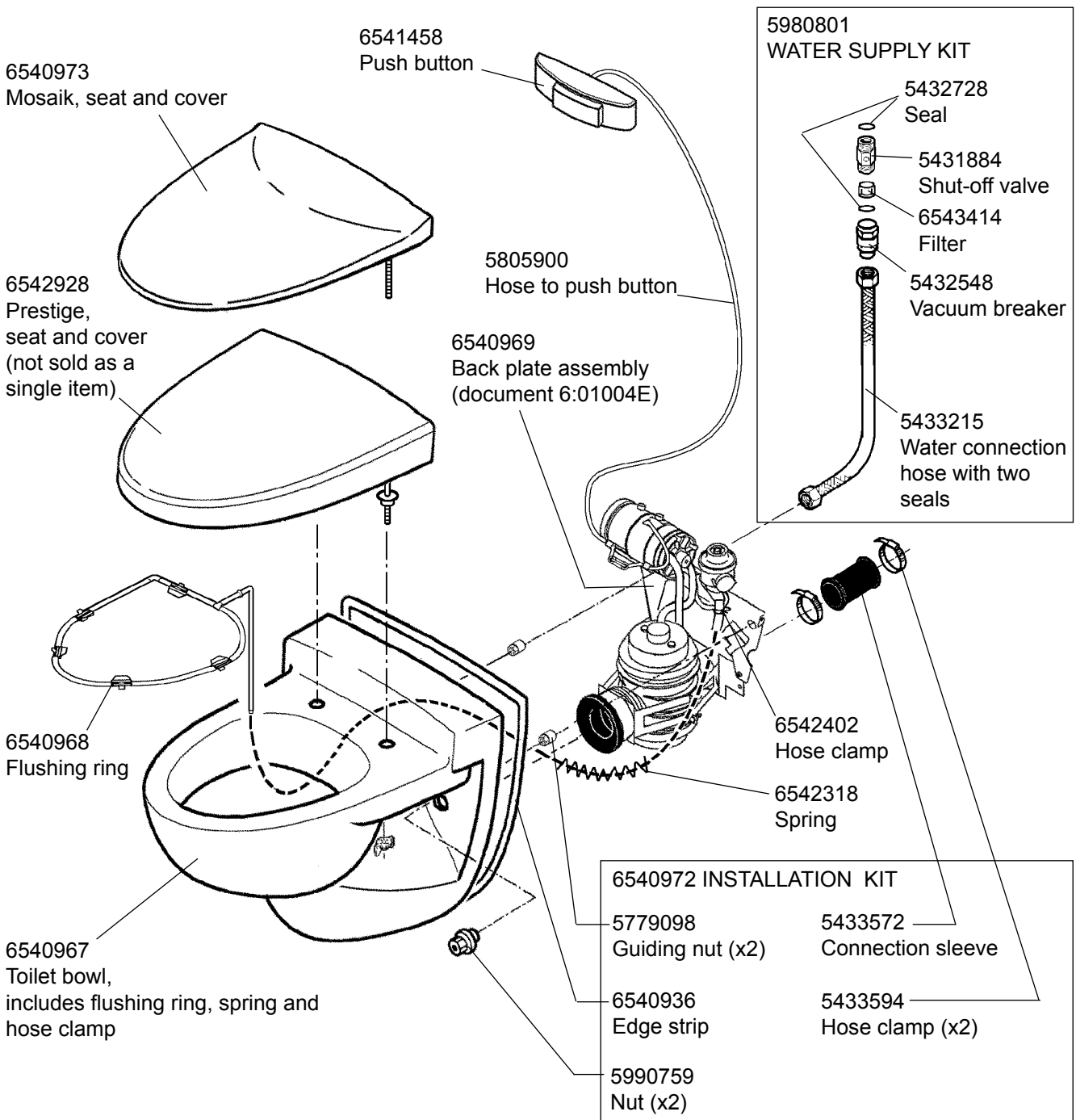
P/N 6542969 includes Prestige, seat and cover (P/N 6546818)

P/N 6540964 includes Mosaik, seat and cover (P/N 6540973)

**See recommended spare part kits
in spare part document:**

Doc no. 6:110G Discharge valve

Doc no. 6:01022E Water valve



VACUUM TOILET

6542970 EVAC 900, WALL MODEL USPH, PRESTIGE

6540966 EVAC 900, WALL MODEL USPH, MOSAIK

6542578 EVAC 900, WALL MODEL USPH, OPEN FRONT

P/N 6542970 is replaced by P/N 6543420

P/N 6540966 is replaced by P/N 6543421

P/N 6542578 is replaced by P/N 6544766

P/N 6542970 includes Prestige, seat and cover (P/N 6546818)

P/N 6540966 includes Mosaik, seat and cover (P/N 6540973)

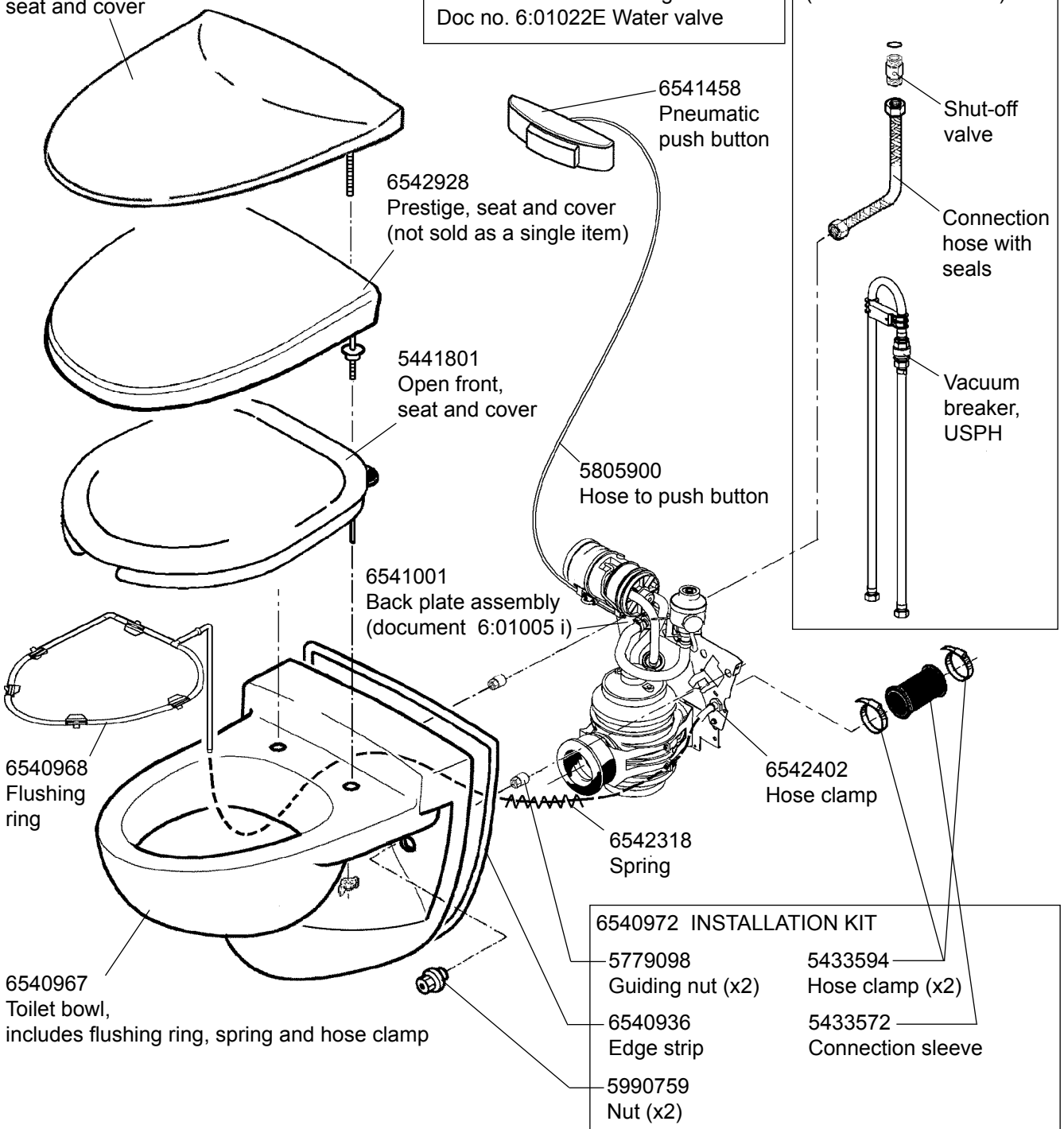
P/N 6542578 includes Open front, seat and cover (P/N 5441801)

P/N 6542928 is replaced by P/N 6546818

6540973
Mosaik,
seat and cover

**See recommended spare part kits
in spare part document:**
Doc no. 6:110G Discharge valve
Doc no. 6:01022E Water valve

6541772
WATER SUPPLY KIT
(document 6:01024J)



VACUUM TOILET

6541004 EVAC 900, FLOOR MODEL, STAR

6541005 EVAC 900, FLOOR MODEL, TREVI

P/N 6541004 is replaced by P/N 6545825

P/N 6541005 is replaced by P/N 6545826

P/N 6541922 is replaced by P/N 6551551

P/N 5442101 is replaced by P/N 6542432

P/N 6541004 includes Star, seat and cover (P/N 6551551)

P/N 6541005 includes Trevi, seat and cover (P/N 6542432)

See recommended spare part kits in spare part document:

Doc no. 6:110G Discharge valve

Doc no. 6:01022E Water valve

5442101

Aniara, seat and cover
(not sold as a single item)

6541922

Silent (EvacInhush),
seat and cover
with metal hinges
(not sold as a single item)

6541025

Flushing ring

6541024

Toilet bowl,
includes flushing
ring, spring and hose
clamp

6541002

Back plate assembly
(document 6:01006G)

6542402

Hose clamp

6542318

Spring

5860303

Pneumatic
push button

2644190

Screw

5980801

WATER SUPPLY KIT

5431884

Shut-off
valve

6543414

Filter

5432548

Vacuum
breaker

5433215

Water connection
hose with two
seals

5432728

Seal

5824900

INSTALLATION KIT

5433583

Rubber elbow

5433594

Hose clamp (x2)

5990724

Nut M8, (x2)

5433266

Wood screw
5 x 45, (x2)

5825300

Plastic washer, (x2)

VACUUM TOILET

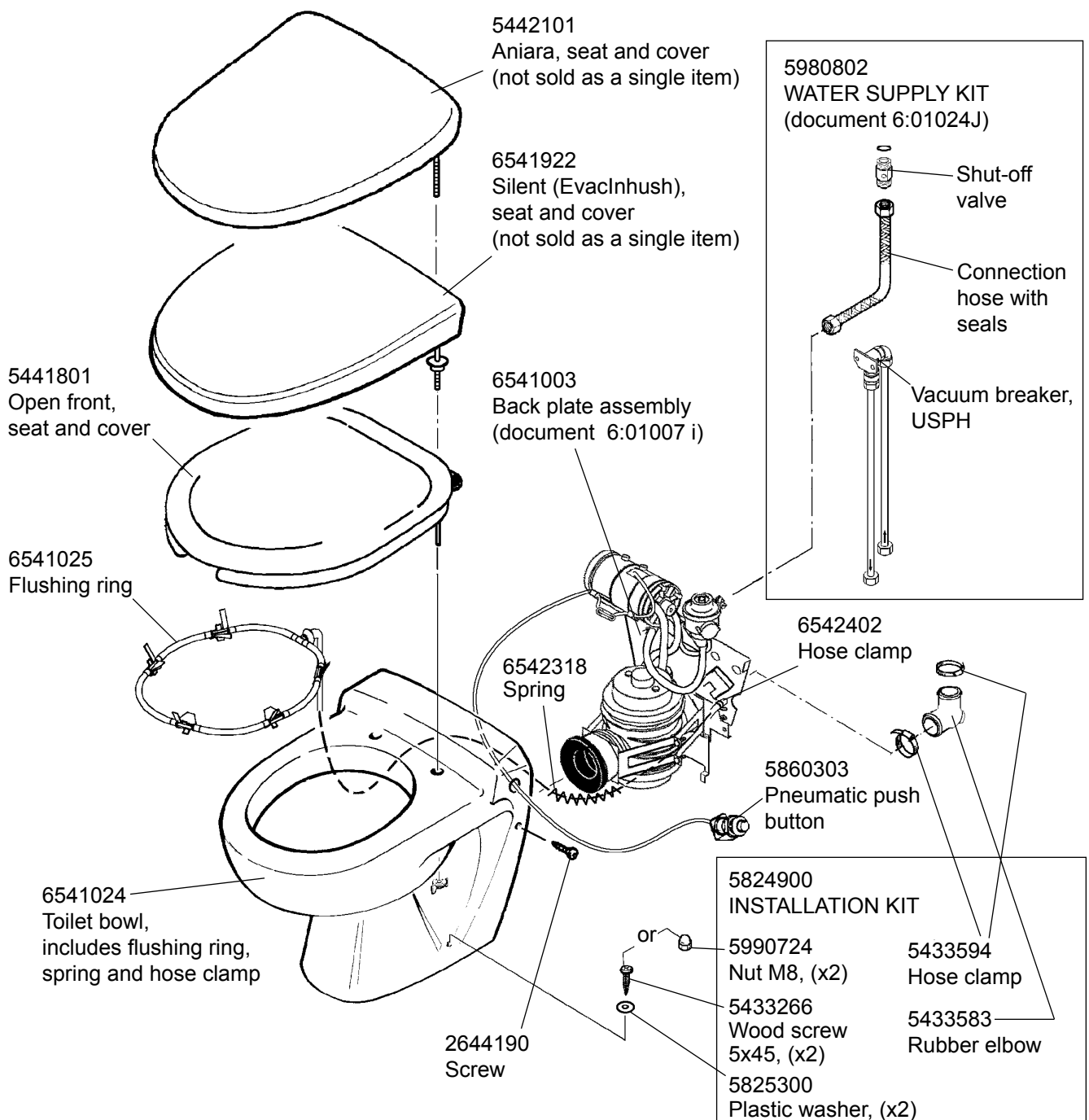
- 6541006 EVAC 900, FLOOR MODEL USPH, STAR
- 6541007 EVAC 900, FLOOR MODEL USPH, TREVI
- 6542614 EVAC 900, FLOOR MODEL USPH, OPEN FRONT

P/N 6541006 is replaced by P/N 6545827, P/N 6541007 is replaced by P/N 6545828,
P/N 6542614 is replaced by P/N 6545829

P/N 6541922 is replaced by P/N 6551551
P/N 5442101 is replaced by P/N 6542432

P/N 6541006 includes Star, seat and cover (P/N 6551551)
P/N 6541007 includes Trevi, seat and cover (P/N 6542432)
P/N 6542614 includes Open front, seat and cover (P/N 5441801)

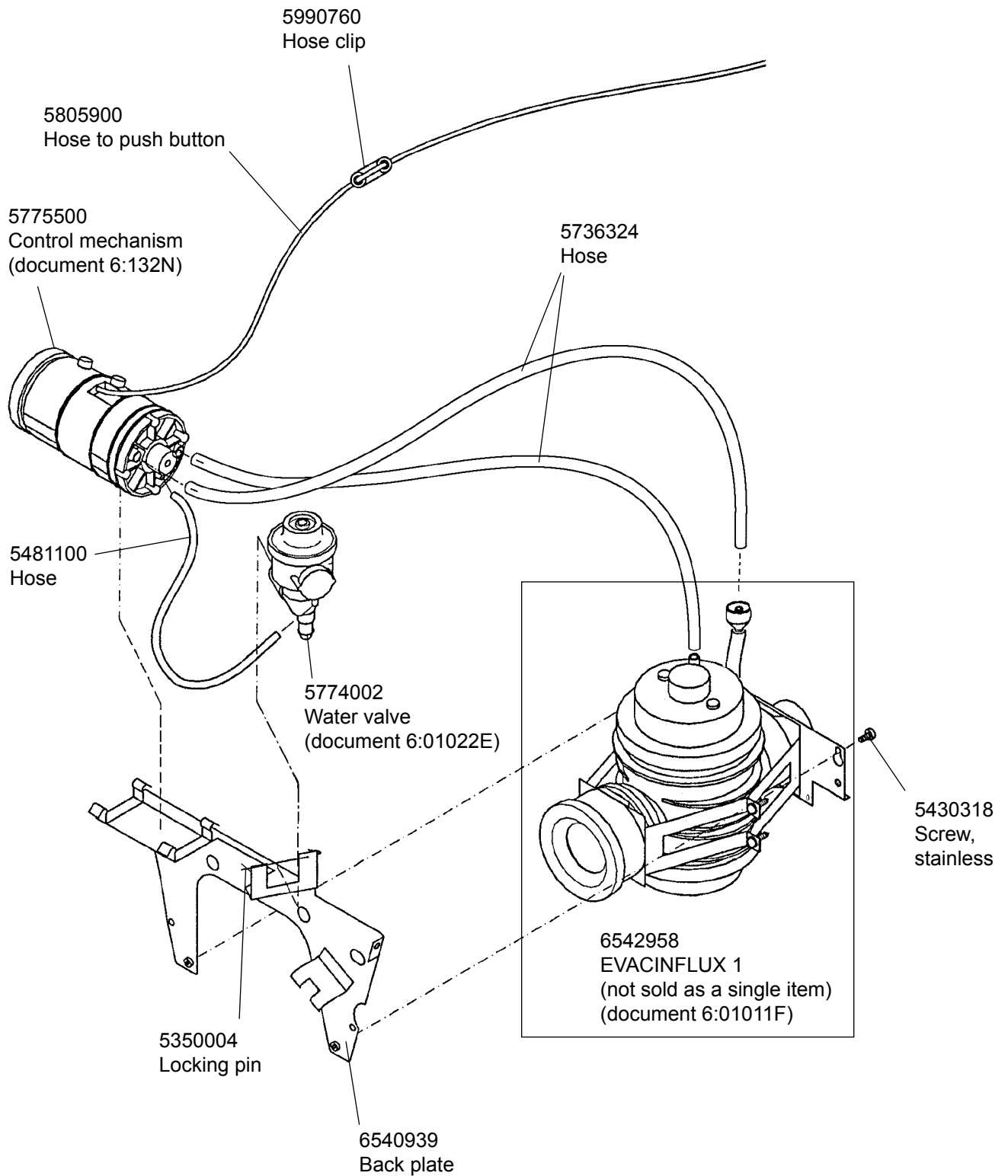
**See recommended part kits
in spare part document:**
Doc no. 6:110G Discharge valve
Doc no. 6:01022E Water valve



VACUUM TOILET

6540969 BACK PLATE ASSEMBLY, EVAC 900, WALL MODELS

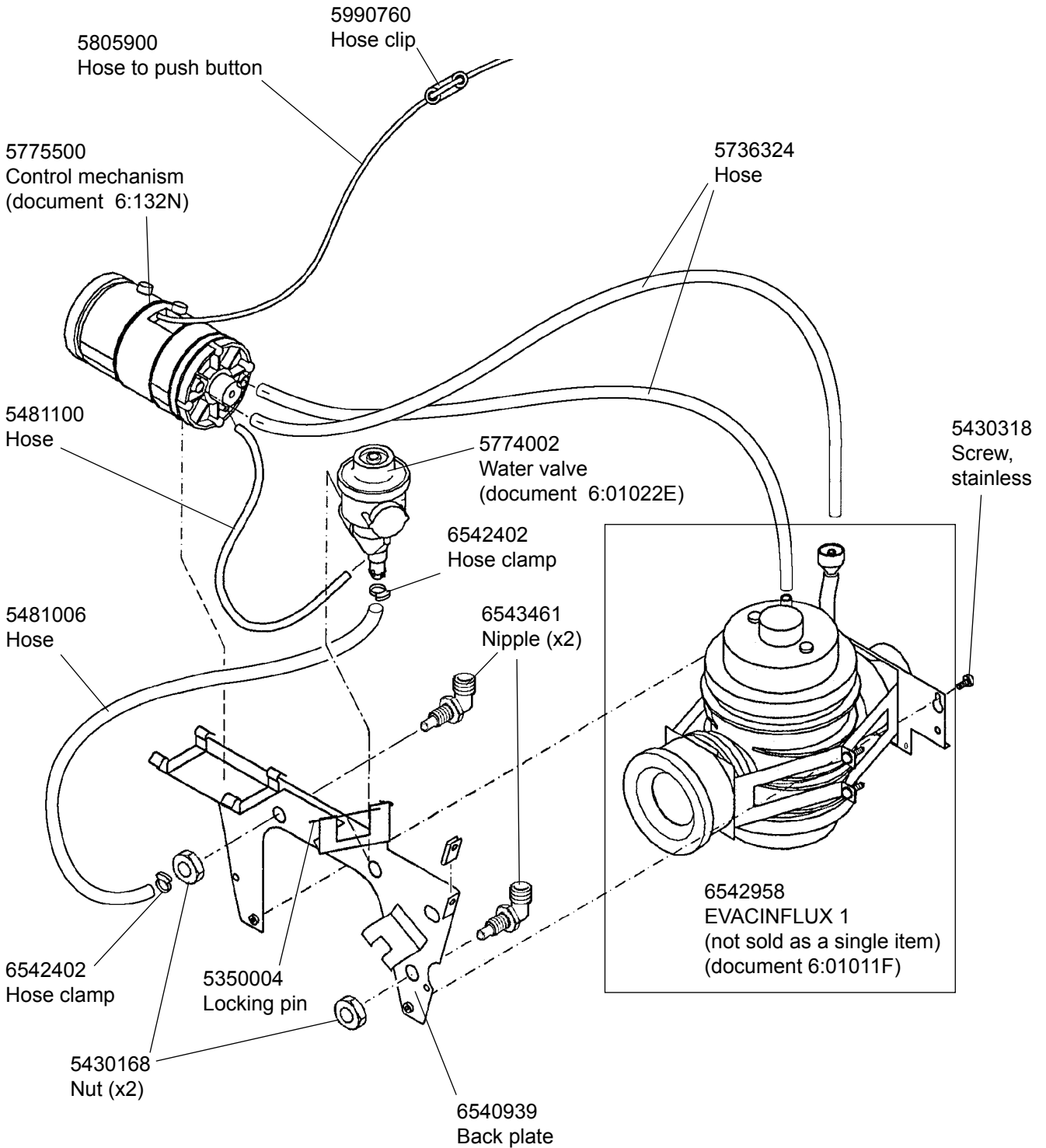
P/N 6542958 is replaced by P/N 6544801



VACUUM TOILET

6541001 BACK PLATE ASSEMBLY, EVAC 900, WALL MODELS, USPH

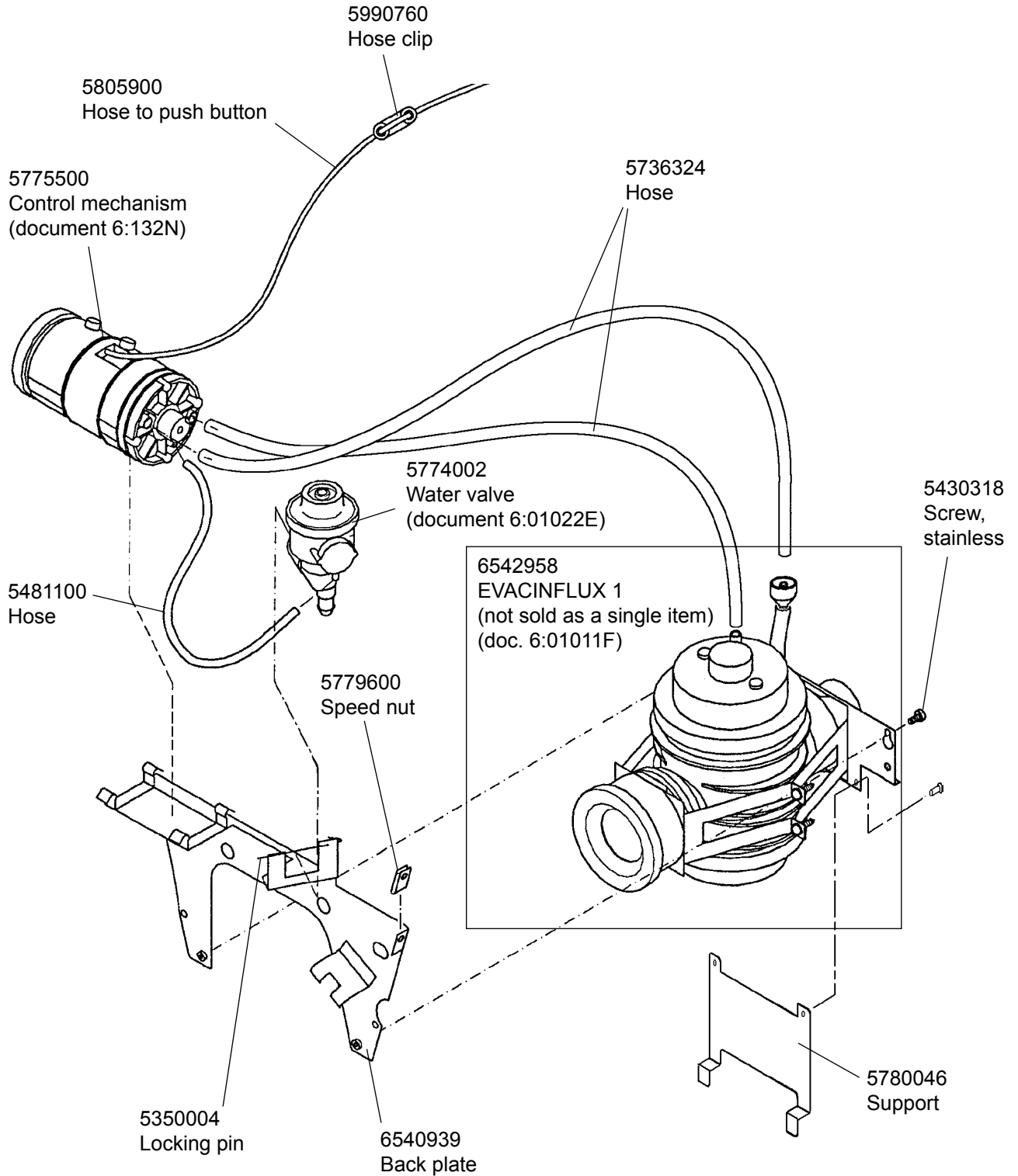
P/N 6542958 is replaced by P/N 6544801



VACUUM TOILET

6541002 BACK PLATE ASSEMBLY, EVAC 900, FLOOR MODELS

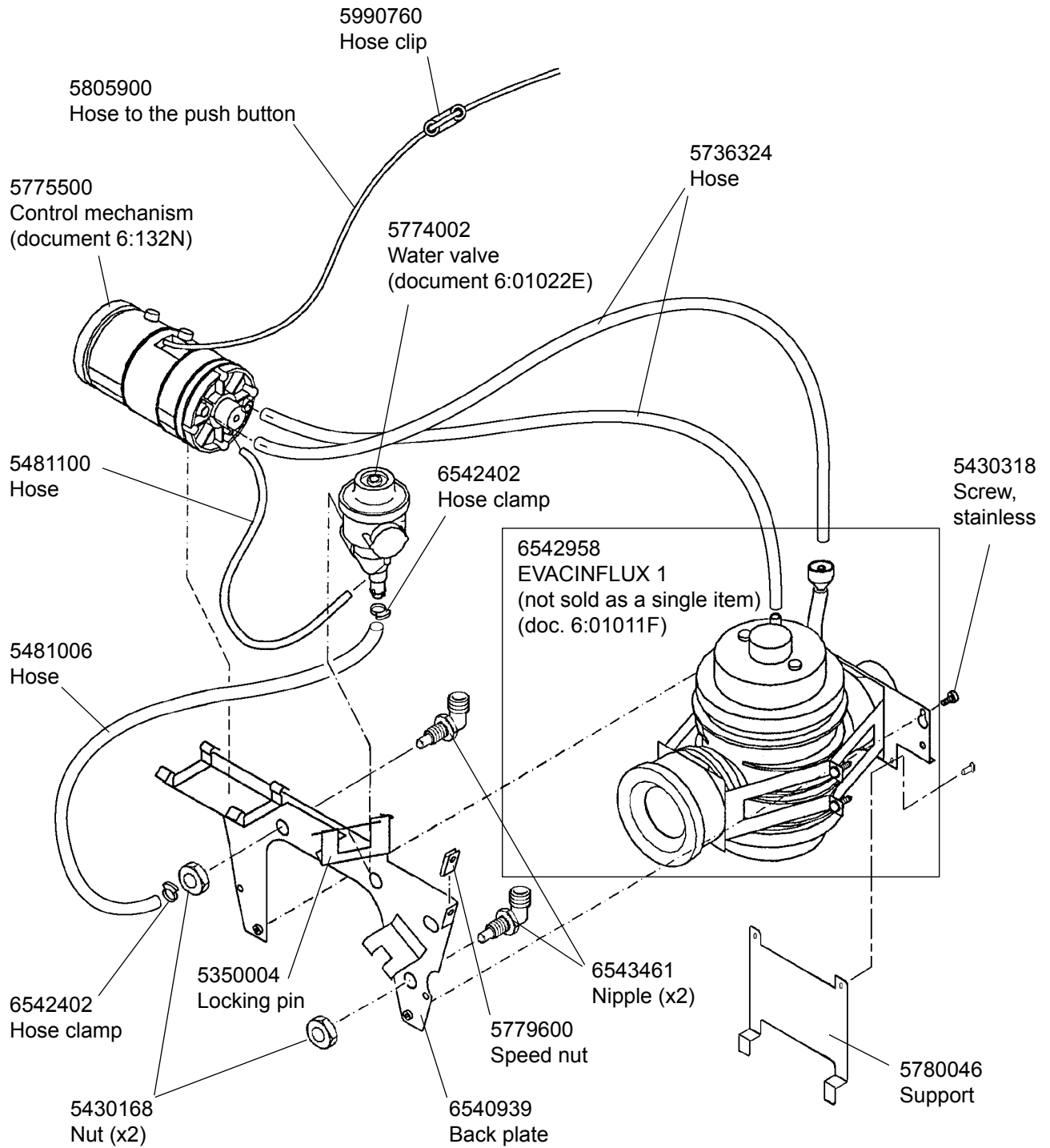
P/N 6542958 is replaced by P/N 6544801



VACUUM TOILET

6541003 BACK PLATE ASSEMBLY, EVAC 900, FLOOR MODELS USPH

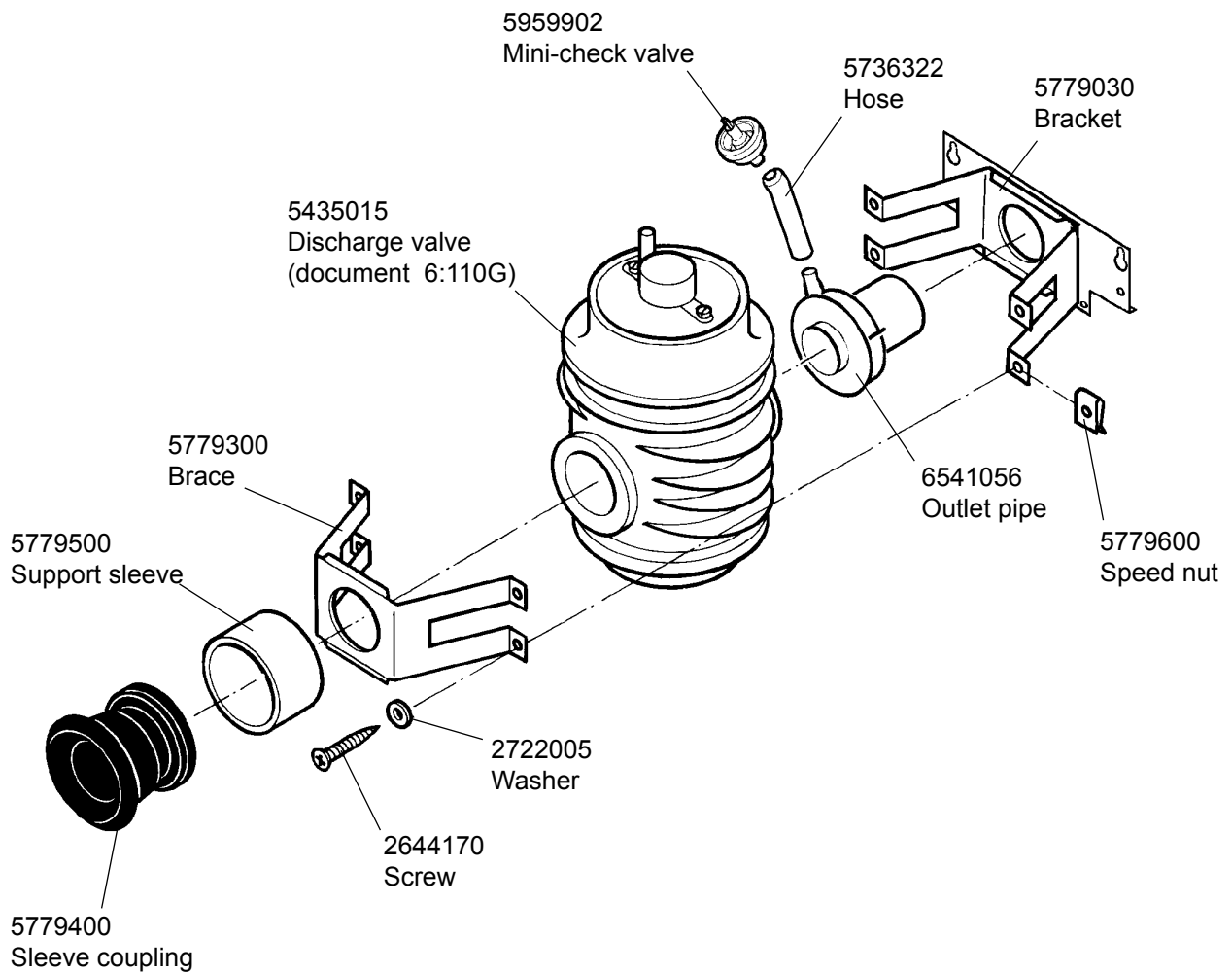
P/N 6542958 is replaced by P/N 6544801



VACUUM TOILET

6542958 EVACINFLUX 1, DISCHARGE VALVE ASSEMBLY FOR EVAC 90/900 TOILETS WITH STEEL BACK PLATE , (not sold as a single item)

P/N 5779210 and P/N 6542958 are replaced by P/N 6544801



VACUUM TOILET

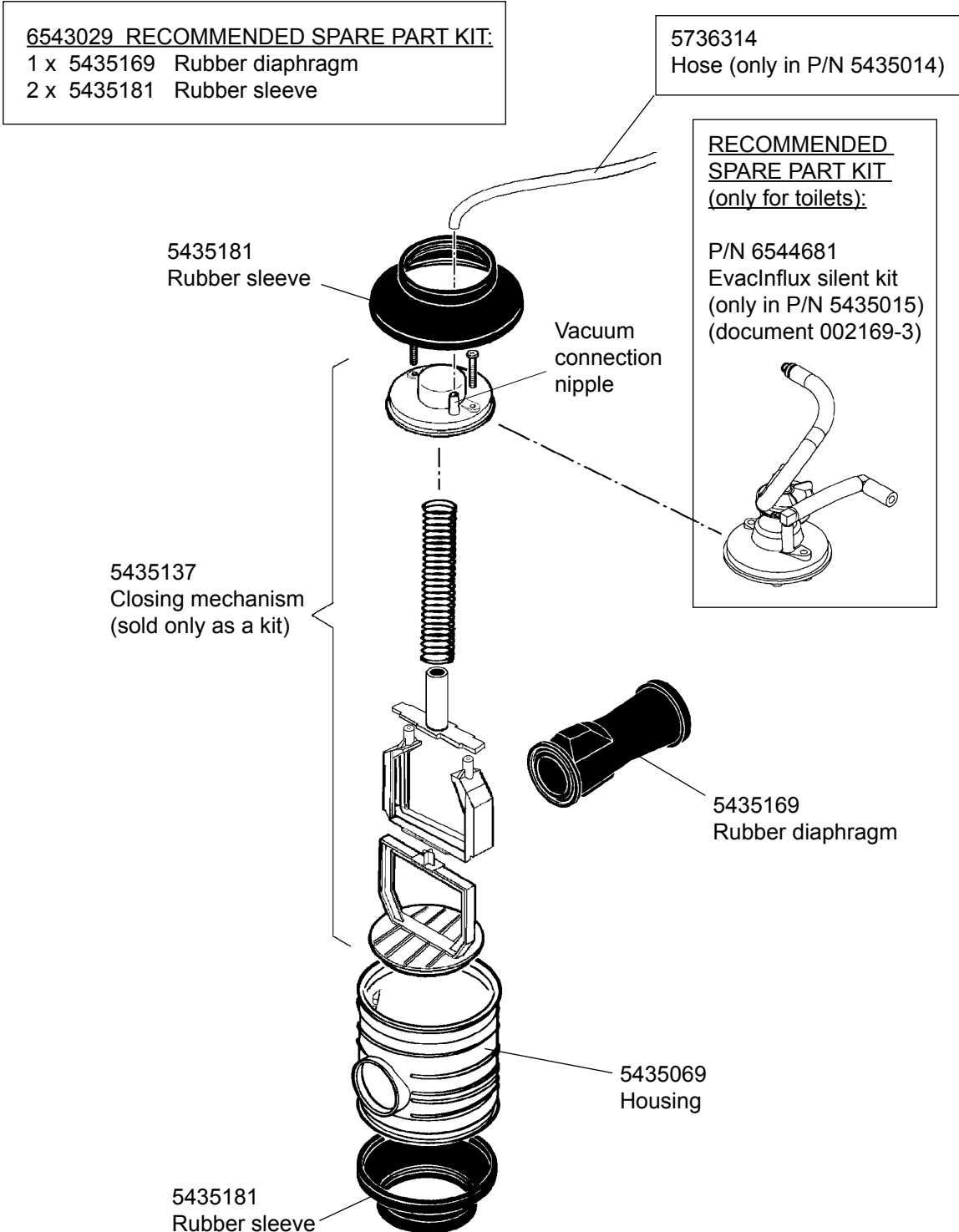
5435014 DISCHARGE VALVE

5435015 DISCHARGE VALVE

P/N 43501.3 and P/N 5435013 are replaced by P/N 5435014

P/N 5435015 Discharge valve (see diagram below).

P/N 5435014 Discharge valve includes Discharge valve P/N 5435015 + Hose (L = 210 mm) P/N 5736314.

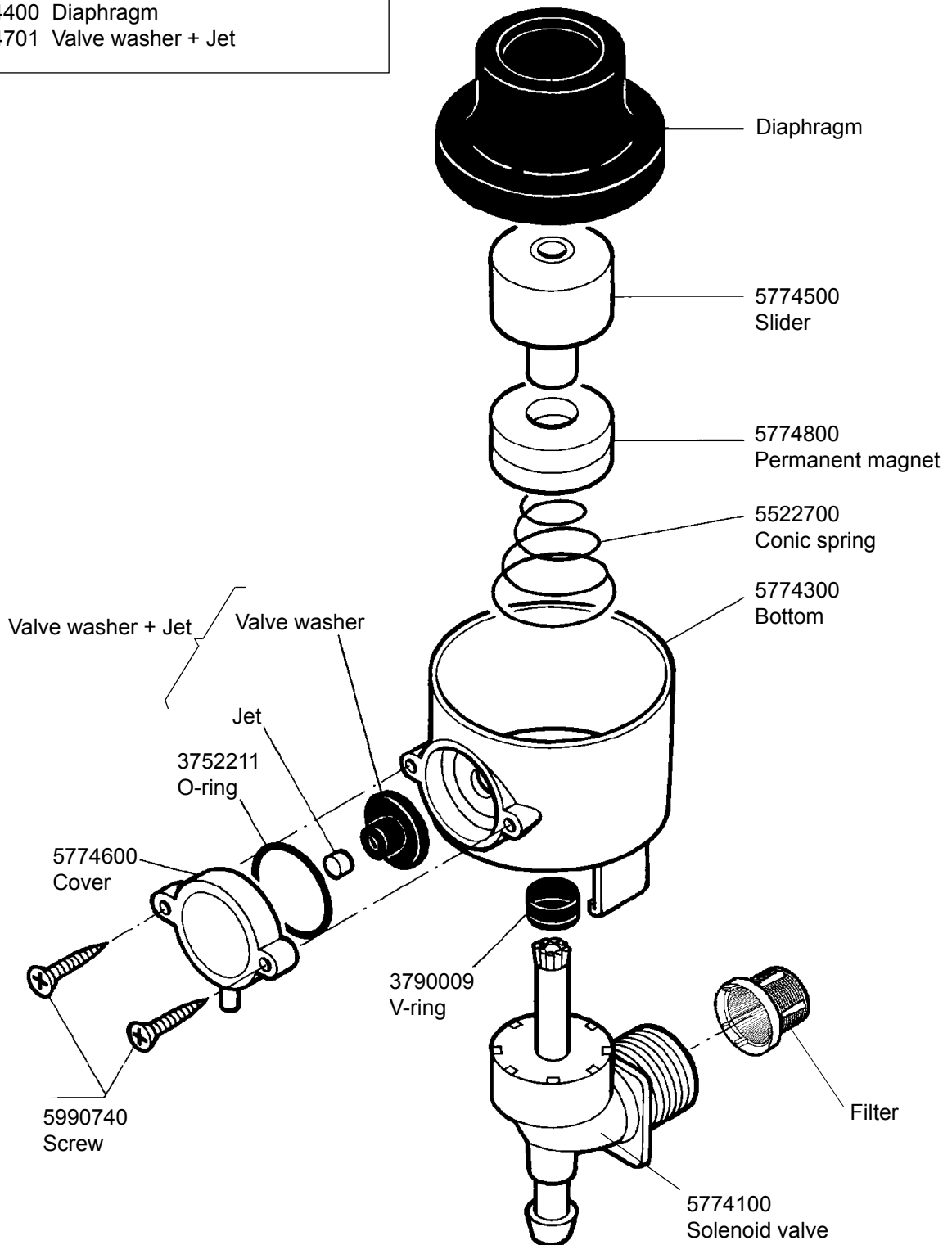


VACUUM TOILET

5774002 WATER VALVE

6543030 RECOMMENDED SPARE PART KIT:

- 1 x 3790009 V-ring
- 1 x 5774150 Filter
- 1 x 5774400 Diaphragm
- 1 x 5774701 Valve washer + Jet



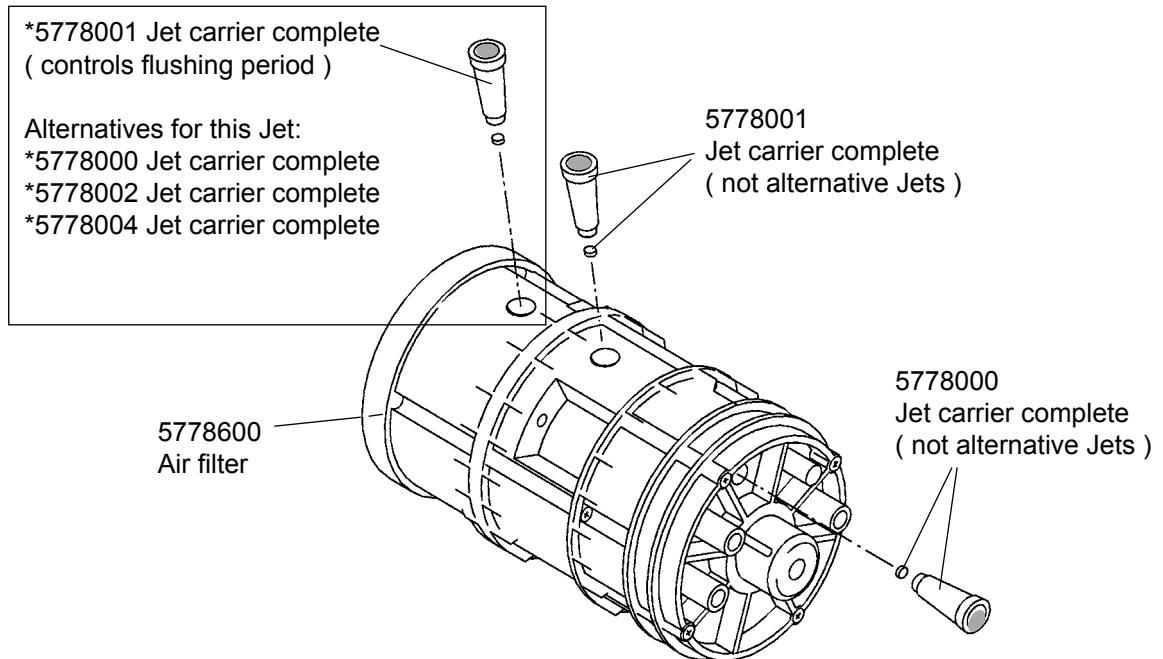
VACUUM TOILET

5775500 CONTROL MECHANISM

5881000 SPARE PART KIT FOR CONTROL MECHANISM (EVAC 90 AND 900 MODEL TOILETS)

6546688 SPARE PART KIT FOR CONTROL MECHANISM (EVAC 910 AND 912 MODEL TOILETS, TOILET WITH AUTOFLUSH UNIT, STAINLESS STEEL TOILET, SQUATTING TOILET)

P/N 5775500 Control mechanism



* Jet carrier identification:

P/N	Colour	Size	Effect
5778004	Yellow	0.20	Extra long flushing period
5778000	White	0.30	Long flushing period
5778001	Blue	0.40	Normal flushing period
5778002	Red	0.50	Short flushing period

! NOTE: See also the operation and maintenance documents:

Doc. 3:111E, Control mechanism (Evac 90 and 900 model toilets)

Doc. 002032-3, Control mechanism (Evac 910 model toilets)

Doc. 002474-2, Control mechanism (Evac 910 Stainless steel toilets)

Doc. 3:01103C, Control mechanism (Evac 910, Squatting toilet)

P/N 5881000 Spare part kit (Evac 90 and 900 model toilets)

P/N	Description	Pcs
5778600	Air filter	1
5778001	Jet carrier complete	2
5778000	Jet carrier complete	1
5778700	Filter	1
5959902	Mini-check valve	1

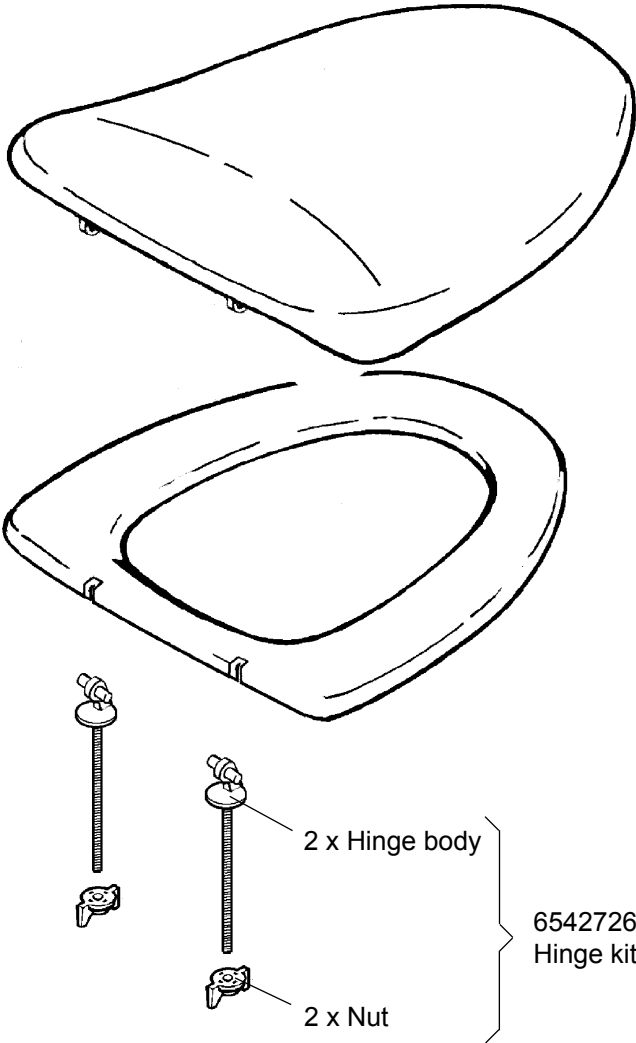
P/N 6546688 Spare part kit

(Evac 910 and 912 model toilets, toilet with Autoflush unit, Stainless steel toilet, Squatting toilet)

P/N	Description	Pcs
5778600	Air filter	1
5778001	Jet carrier complete	2
5778000	Jet carrier complete	1
5778700	Filter	1
6545052	Mini-check valve kit	1

VACUUM TOILET

6540973 SEAT AND COVER, MOSAIK FOR EVAC 900 AND 910 WALL MODEL TOILETS

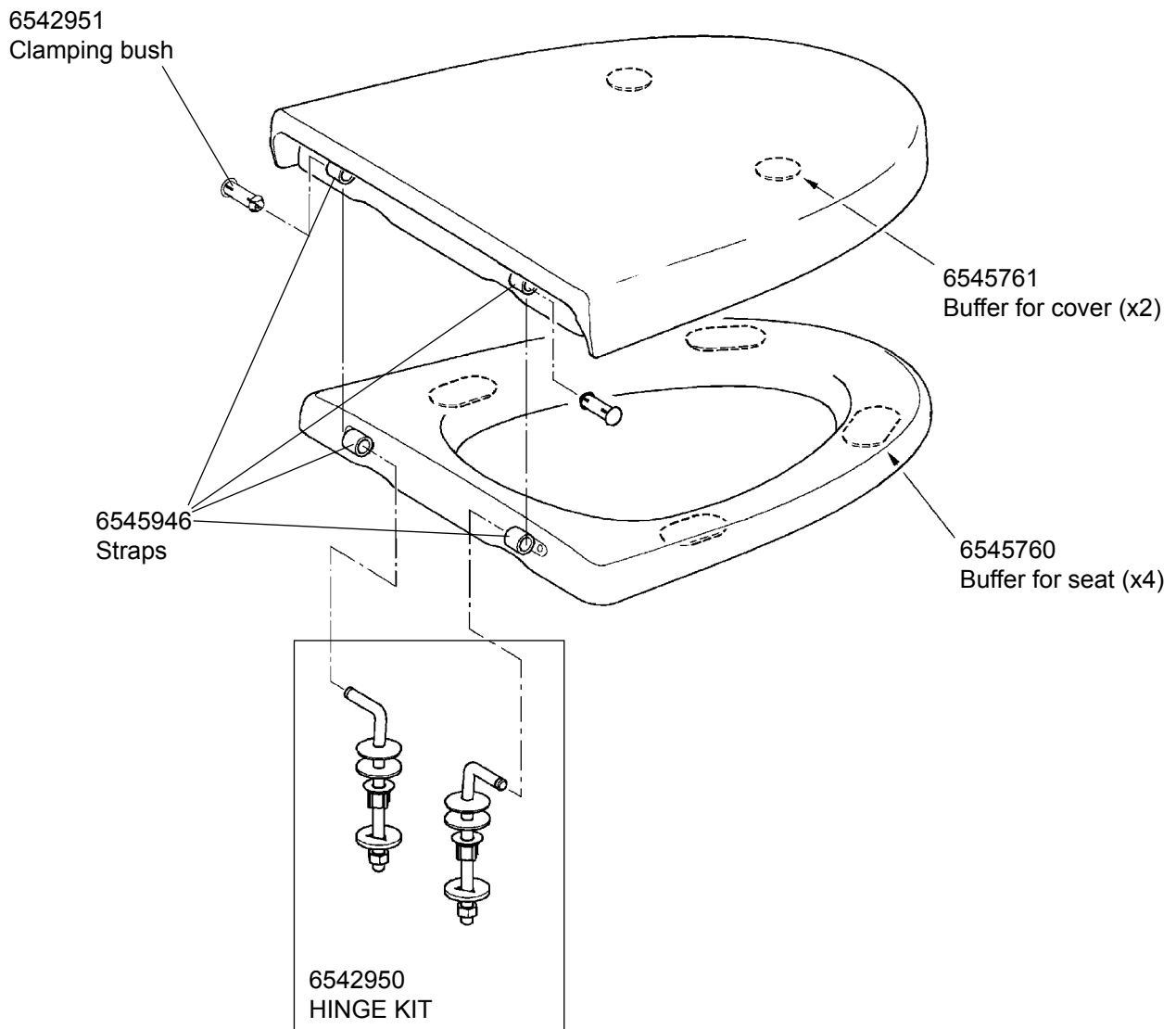


VACUUM TOILET

**6542928 PRESTIGE, SEAT AND COVER (not sold as a single item)
FOR EVAC 900 AND 910 WALL MODEL TOILETS**

P/N 6542928 is replaced by P/N 6546818

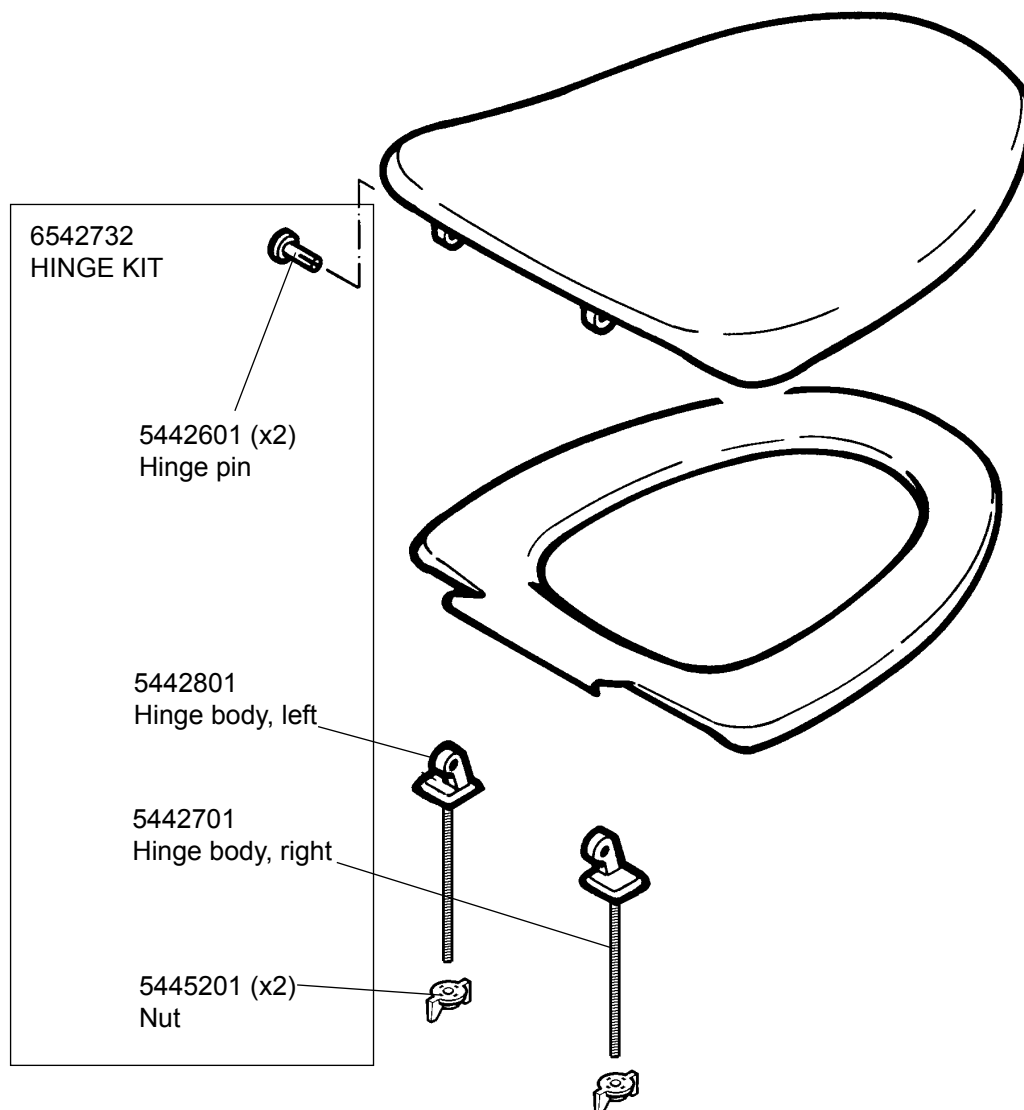
Prestige seat and cover fulfills ANSI Z124.5 - 1997 [Plastic Toilet (Water closet) Seats] requirements.



VACUUM TOILET

5442101 ANIARA, SEAT AND COVER (not sold as a single item), FOR EVAC 90 WALL AND FLOOR MODEL TOILETS, EVAC 900 AND 910 FLOOR MODEL TOILETS

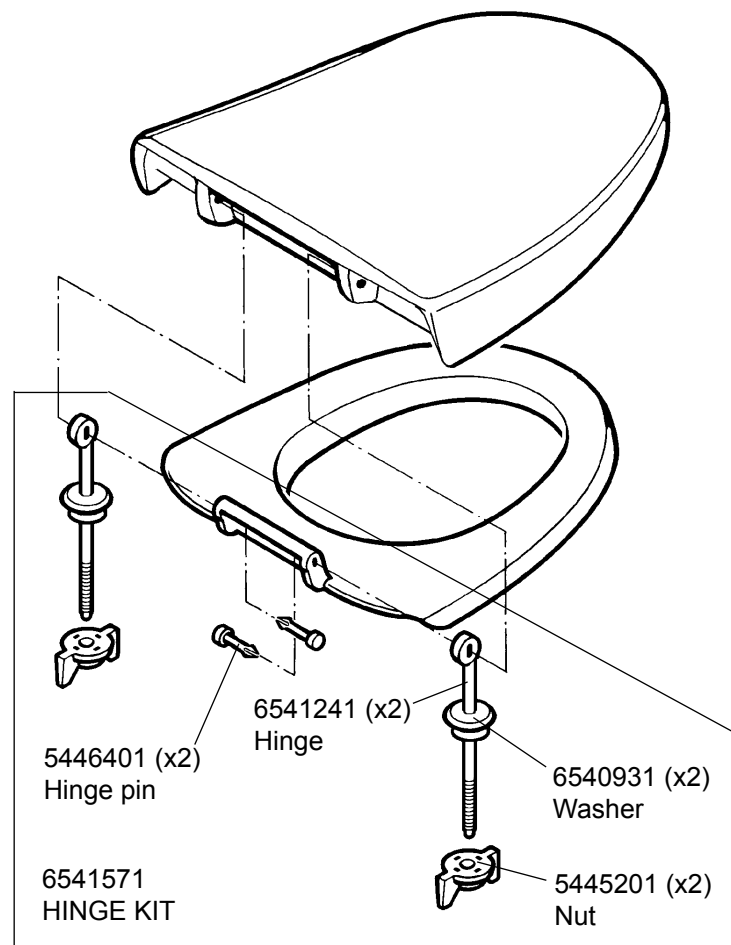
P/N 5442101 is replaced by P/N 6542432



VACUUM TOILET

6541922 SILENT, SEAT AND COVER (not sold as a single item)
FOR EVAC 90 WALL AND FLOOR MODEL TOILETS, EVAC 900 AND EVAC 910 FLOOR
MODEL TOILETS

P/N 5446101 and P/N 6541922 are replaced by P/N 6551551

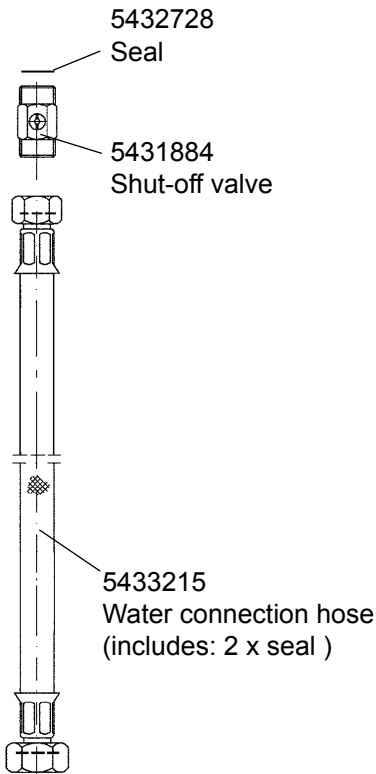
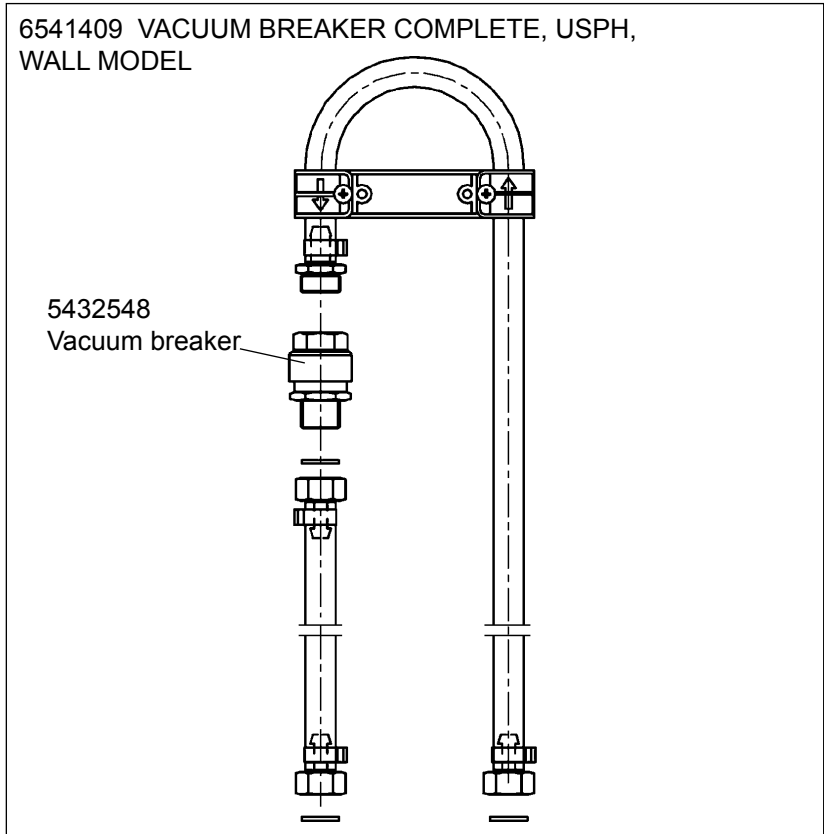


VACUUM TOILET

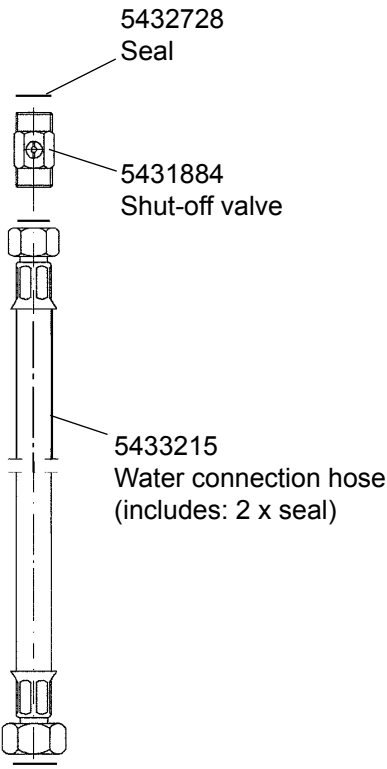
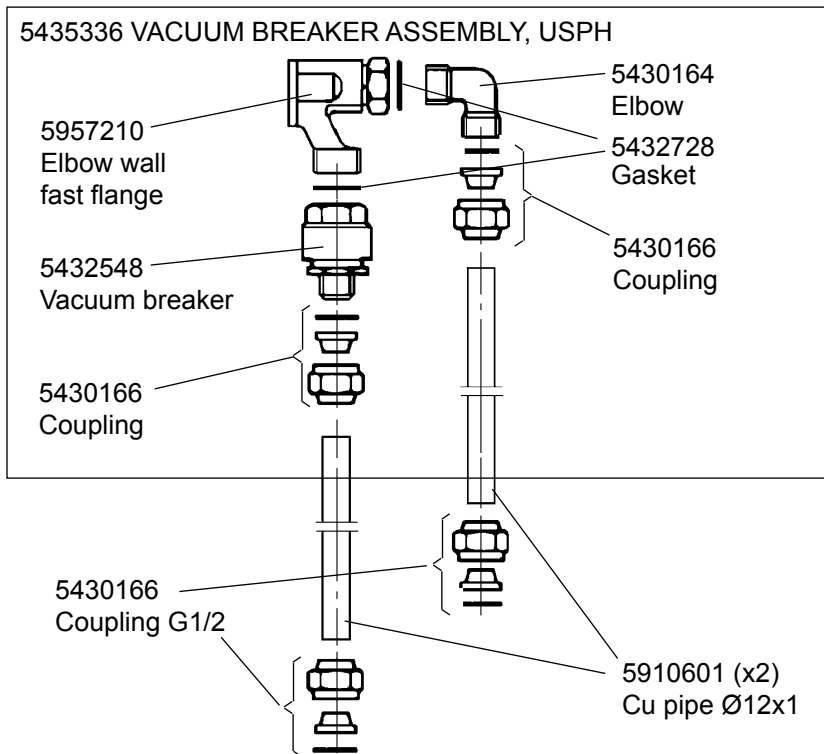
6541772 WATER SUPPLY KIT, USPH, FOR EVAC 900 AND EVAC 910 TOILETS, WALL MODELS

5980802 WATER SUPPLY KIT, USPH, FOR EVAC 90, 900, AND EVAC 910 TOILETS, FLOOR MODELS

P/N 6541772 Water supply kit, USPH



P/N 5980802 Water supply kit, USPH



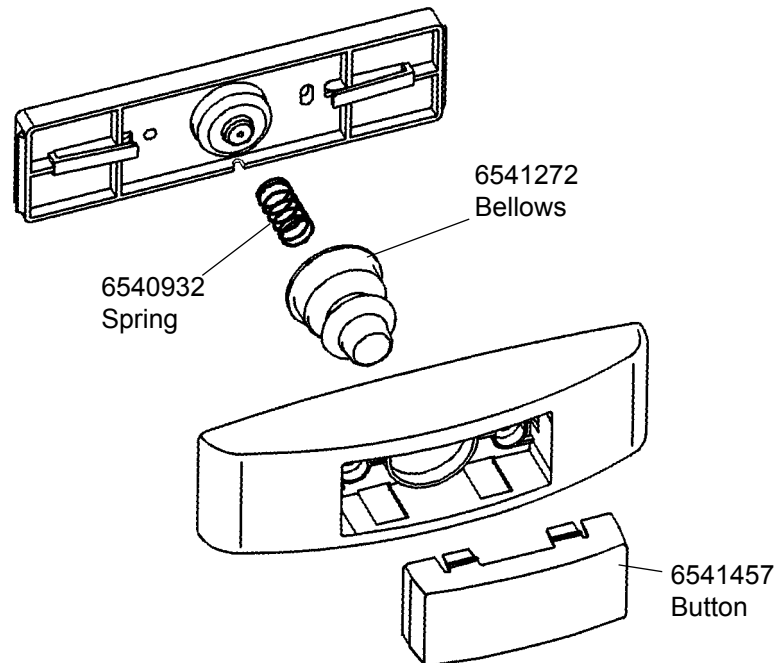
VACUUM TOILET

6541458 PNEUMATIC PUSH BUTTON (EVAC 900, 910 AND 912 WALL MODEL TOILETS)

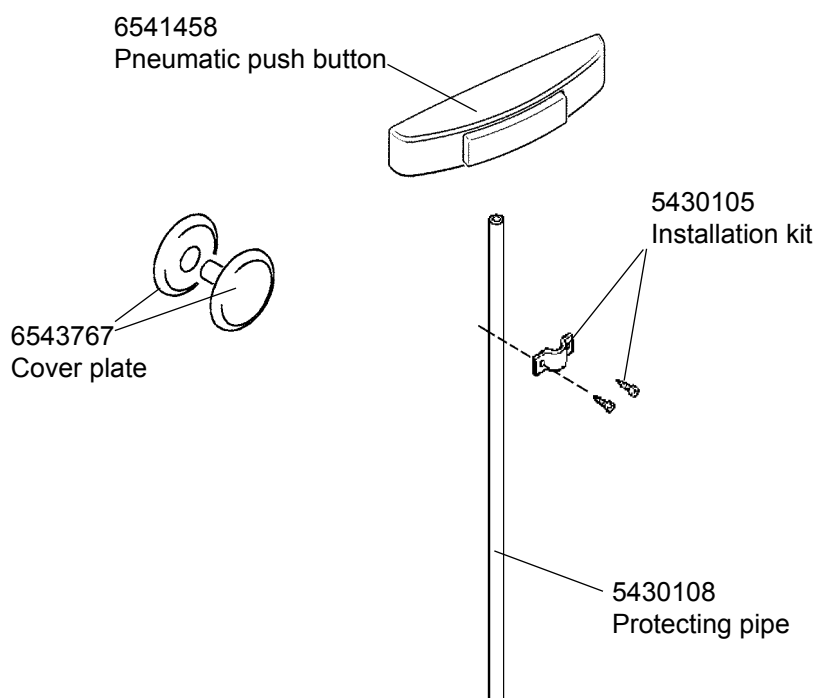
6541057 OPTIONAL PNEUMATIC PUSH BUTTON KIT (EVAC 900 AND 910 FLOOR MODEL TOILETS)

P/N 6541458 Pneumatic push button

P/N 6540917 is replaced by P/N 6541458



P/N 6541057 Optional pneumatic push button kit



EVAC 90 AND 900 TYPE TOILETS

REPLACING PRODUCTS

Please, identify your “old” product number and choose the replacing product.

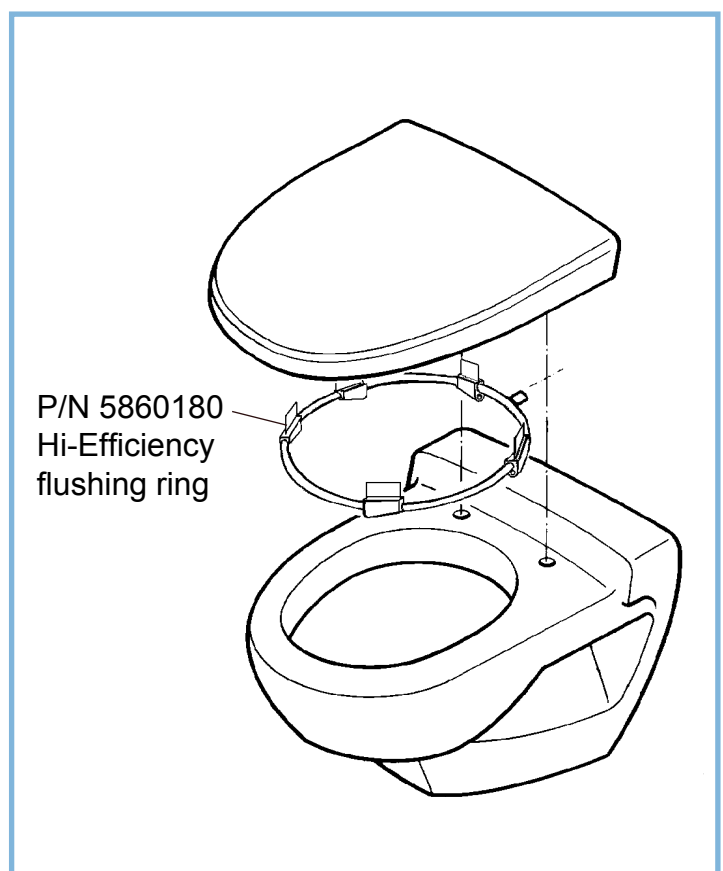
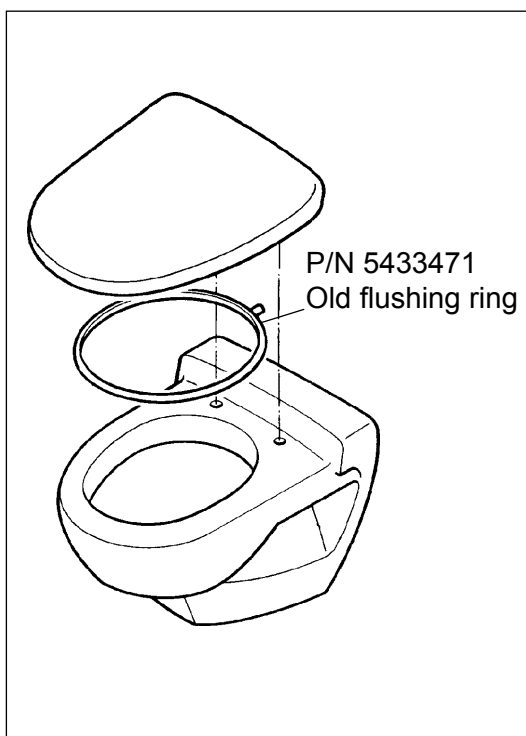
Old products		Replacing products			
Name	P/N		P/N	Name	Link to document
Flushing ring	5433471 43347.1	▶ ▶	5860180	Hi-efficiency flushing ring, Evac 90 vacuum toilets	9:00026C
Seat and cover, Aniara	5442101	▶	6542432	Seat and cover, Trevi	002423-2
Plastic hinge	5445001	▶	6541241	Stainless steel hinge	9:00025C
Back plate	5800000	▶	5780000	Back plate assembly	6:143 i
Toilet bowl	5801301	▶	6541024	Toilet bowl	-
Mini-chehk valve	5959901	▶	5959902	Mini-check valve	6:140G
Vacuum breaker USPH	5980700	▶	6542462	Vacuum breaker USPH	-
Water supply kit	5980701	▶	6541772	Water supply kit	6:01024J
Toilet Evac 90 / 900, wall model USPH, Aniara / Mosaik	6540966 5255101	▶ ▶	6543421	Toilet Evac 910, wall model USPH, Mosaik	002040-6
Toilet Evac 90 / 900, floor model, Silent (EvacInhush)	6541004 5332301	▶ ▶	6545825	Toilet Evac 910, floor model, Star	002266-7
Toilet Evac 90 / 900, floor model, Aniara	6541005 5326101 5332101 43261	▶ ▶ ▶ ▶	6545826	Toilet Evac 910, floor model, Aniara	002266-7
Toilet Evac 90 / 900, floor model USPH, Aniara	6541007 6540601 5246101	▶ ▶ ▶	6545828	Toilet Evac 910, floor model USPH, Aniara	002254-7
Seat and cover, Silent with plastic hinges	6541922 5446101	▶ ▶	6551551	Evac Star (EvacInhush), seat and cover for Evac 90 wall models and Evac 90 / 900 floor models	002976-3
Toilet Evac 900, wall model USPH, Open front	6542578	▶	6544766	Toilet Evac 910, wall model USPH, Open front	002040-6
Toilet Evac 900, floor model USPH, Open front	6542614	▶	6545829	Toilet Evac 910, floor model USPH, Open front	002254-7
Seat and cover, Silent	6542928 6540941	▶ ▶	6546818	Prestige, silent seat and cover for 900 wall models	002510-5
EvacInflux 1	6542958	▶	6544801	EvacInflux silent valve for Evac 90 wall and floor model toilets	002572-1
		▶	6544801	EvacInflux silent valve for Evac 900 wall and floor model toilets	002209-3
Toilet Evac 90 / 900, wall model USPH, Silent (EvacInhush)	6542970 5295101	▶ ▶	6543420	Toilet Evac 910, wall model USPH, Prestige Star	002040-6
Toilet Evac 90 / 900, floor model USPH, Silent	6549701 6541006 5276101	▶ ▶ ▶	6545827	Toilet Evac 910, floor model USPH, Star	002254-7

VACUUM TOILET

5860180 HI-EFFICIENCY FLUSHING RING, EVAC 90, WALL AND FLOOR MODELS

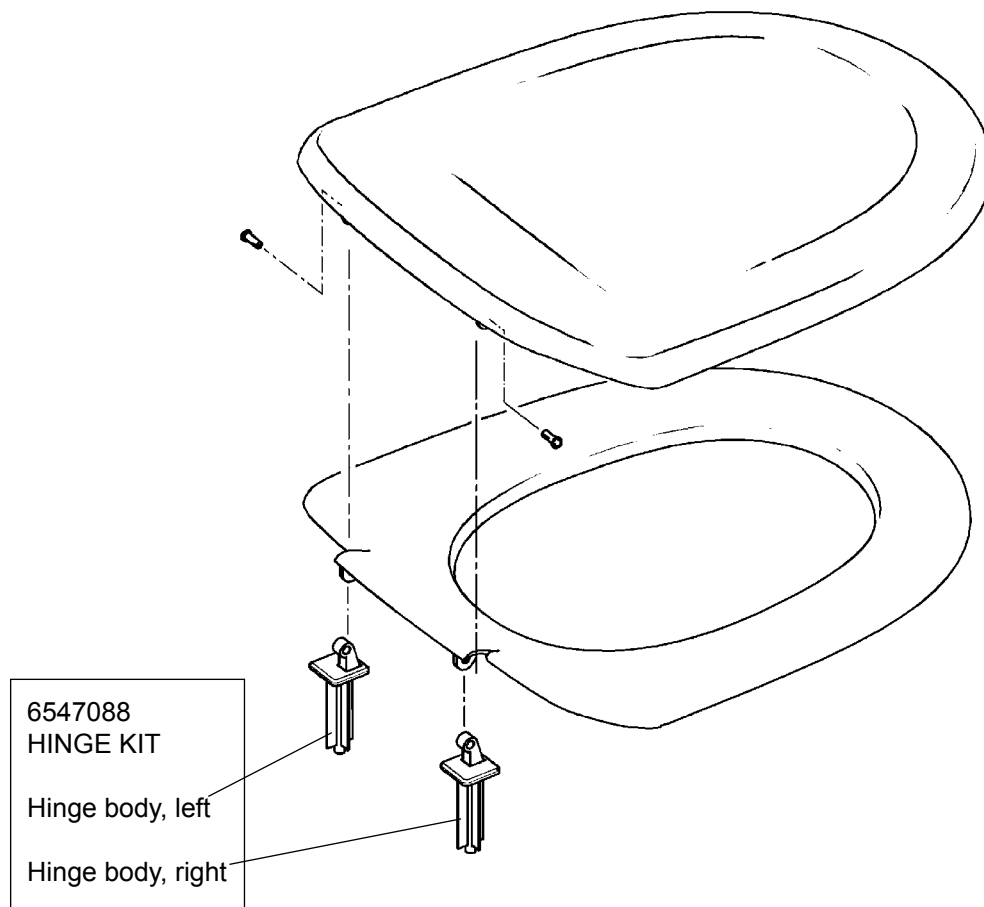
Toilet bowl rinsing can be improved and better hygiene obtained by using the 5-nozzle Hi-Efficiency Flushing ring. Fully interchangeable with the old rubber ring.

P/N 43347.1 and 5433471 are replaced by P/N 5860180



VACUUM TOILET

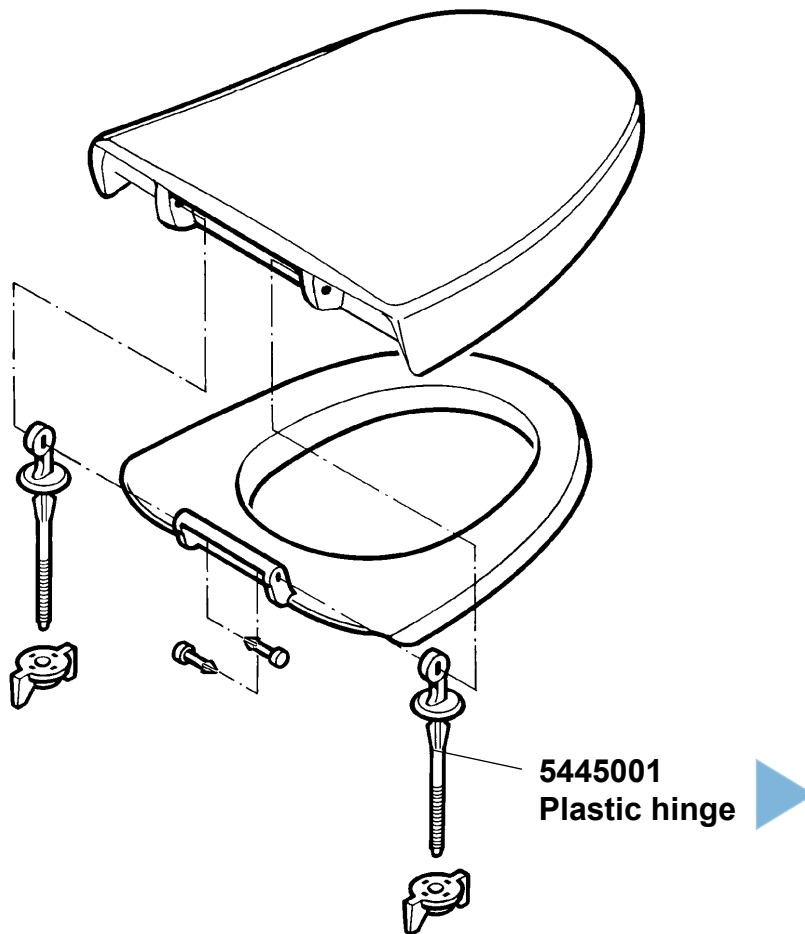
6542432 TREVI, SEAT AND COVER



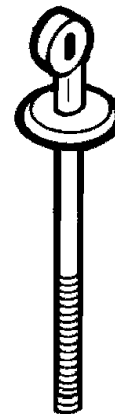
VACUUM TOILET

6541241 STAINLESS STEEL HINGE FOR SEAT AND COVER, SILENT

Replace your plastic hinges (P/N 5445001)
with the new durable stainless steel hinges (P/N 6541241)



6541241
New stainless steel hinge

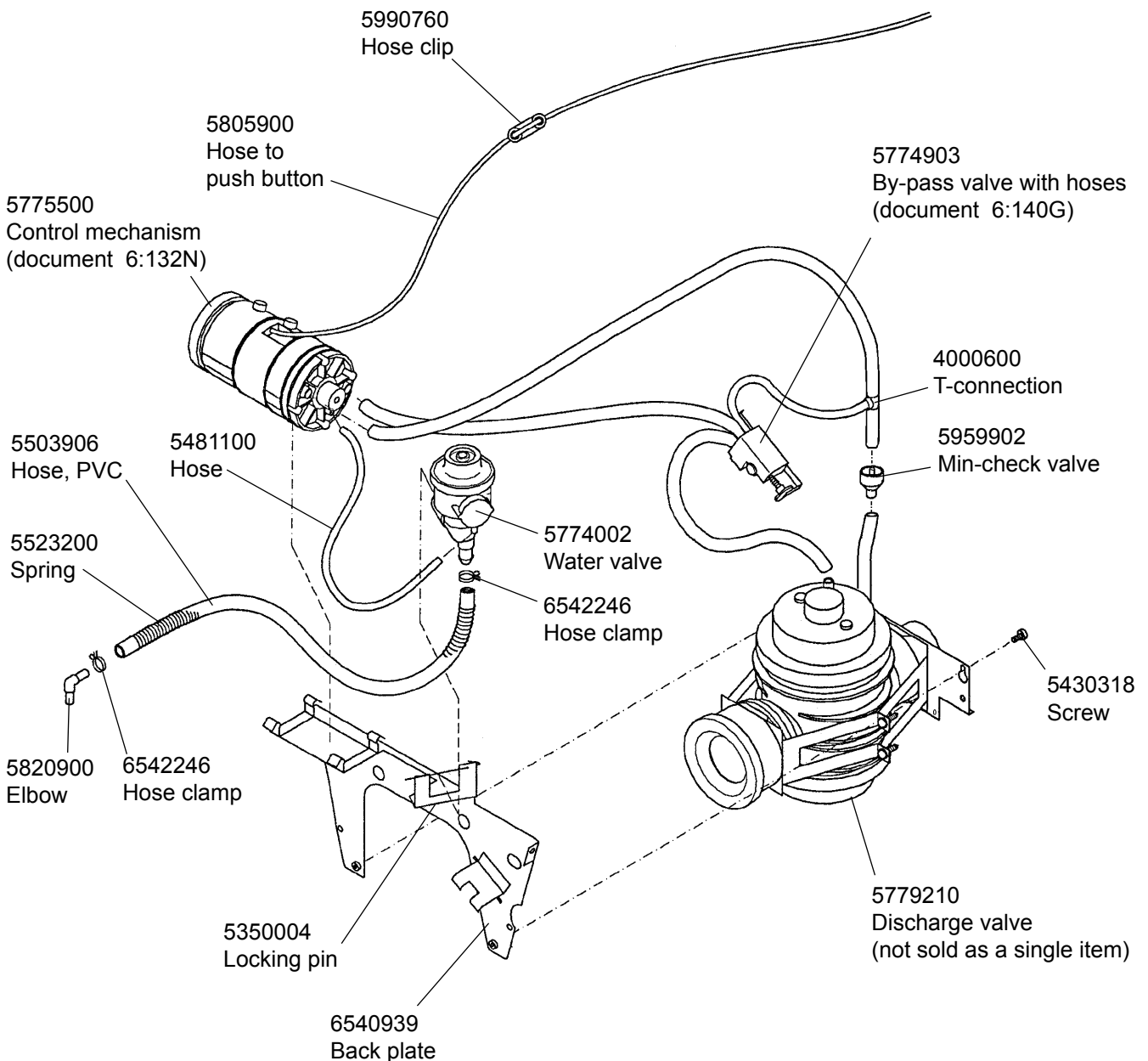


VACUUM TOILET

5780000 BACK PLATE ASSEMBLY, EVAC 90, WALL MODELS

P/N 5800000 is replaced by P/N 5780000

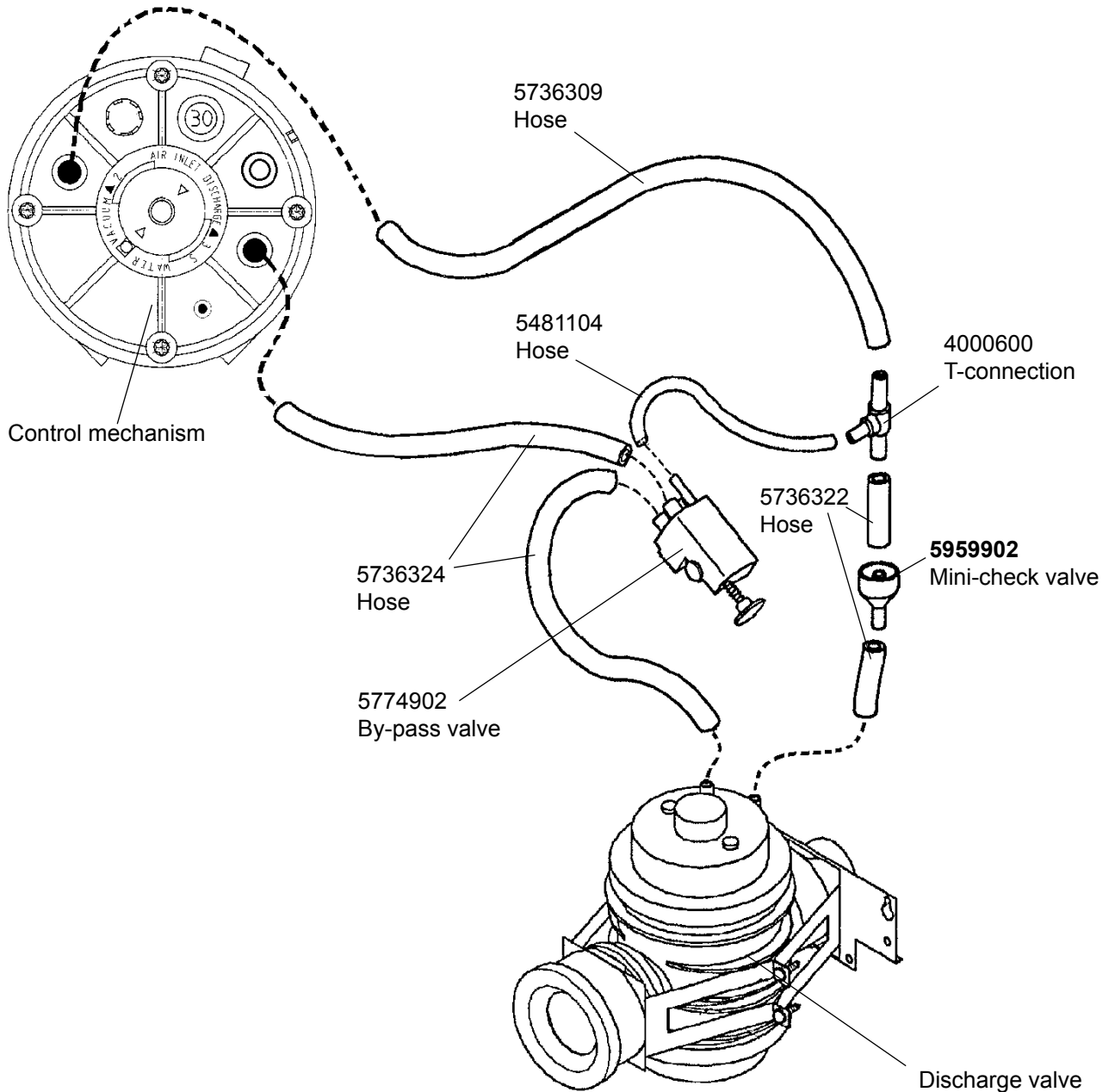
P/N 5779210 Discharge valve (not sold as a single item) and P/N 6542958 EvacInflux 1 (not sold as a single item) are replaced by P/N 6544801 EvacInflux silent valve.



VACUUM TOILET

5774903 BY-PASS VALVE WITH HOSES, EVAC 90, WALL AND FLOOR MODELS

P/N 5959901 Mini-check valve is replaced by P/N 5959902 Mini-check valve.



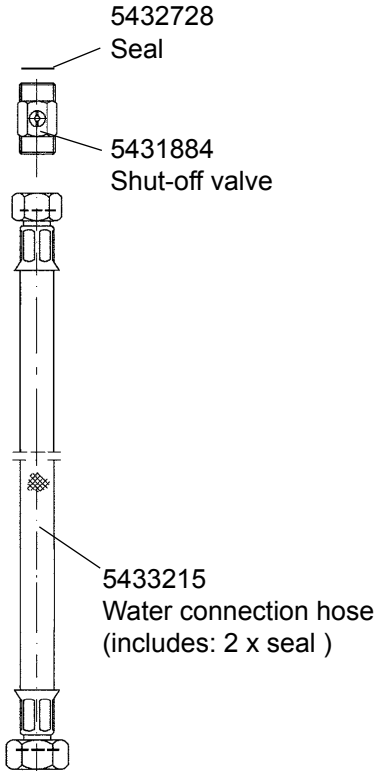
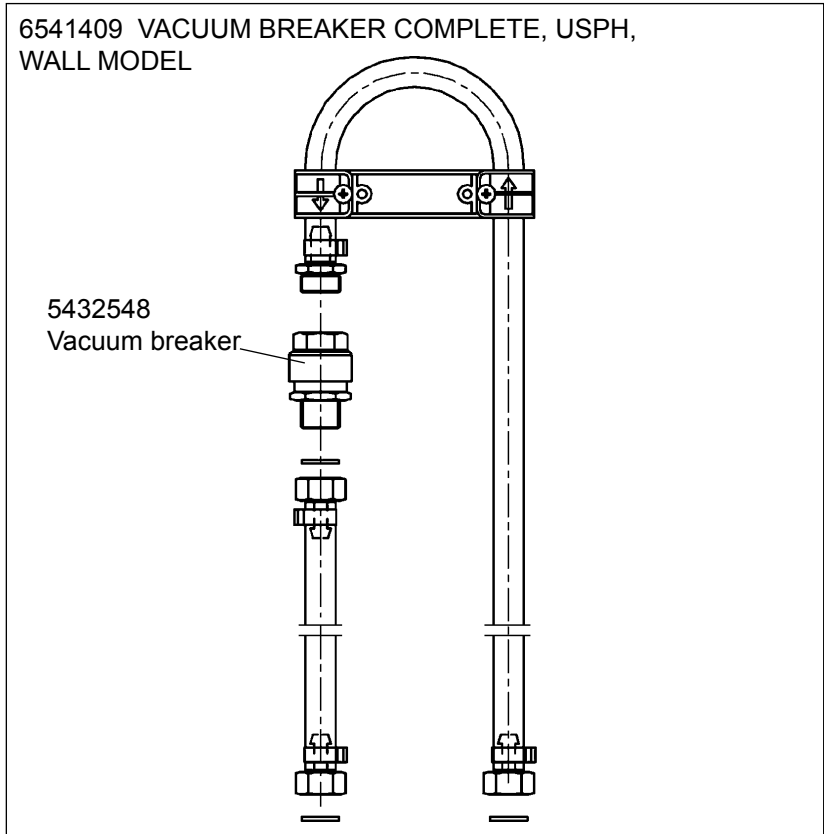
Control mechanism and Discharge valve do not include in P/N 5774903

VACUUM TOILET

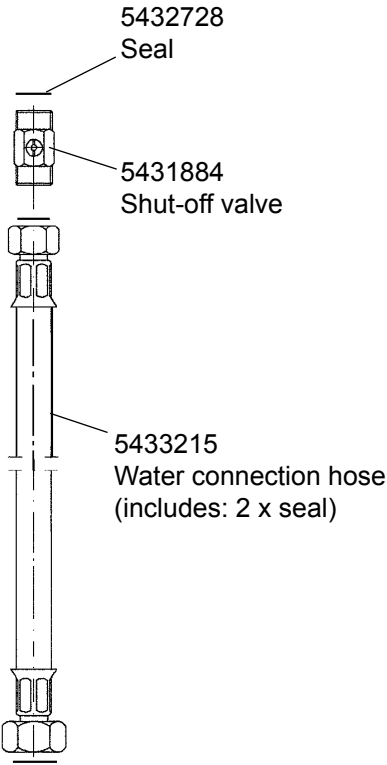
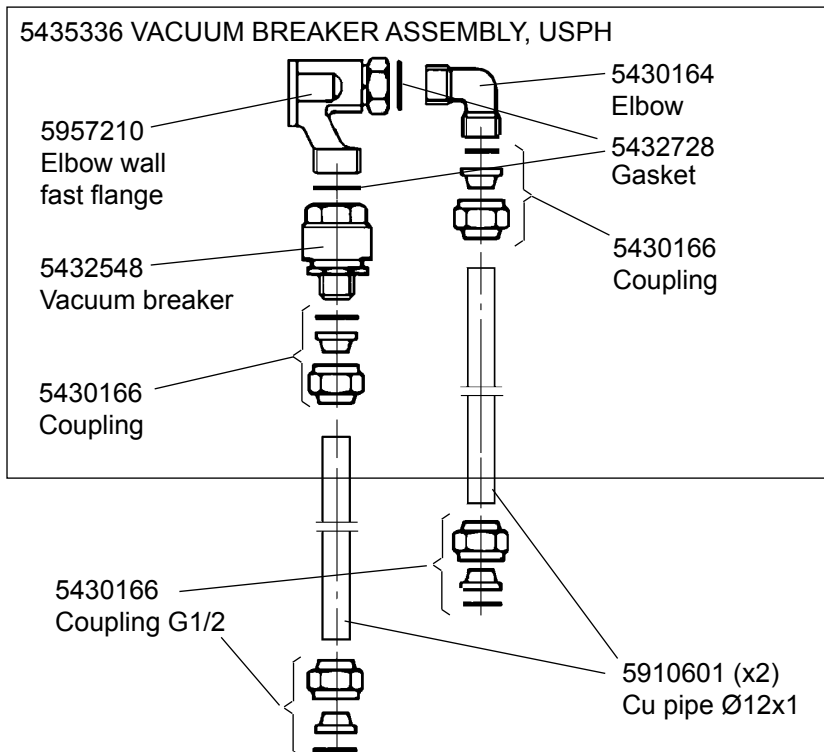
6541772 WATER SUPPLY KIT, USPH, FOR EVAC 900 AND EVAC 910 TOILETS, WALL MODELS

5980802 WATER SUPPLY KIT, USPH, FOR EVAC 90, 900, AND EVAC 910 TOILETS, FLOOR MODELS

P/N 6541772 Water supply kit, USPH



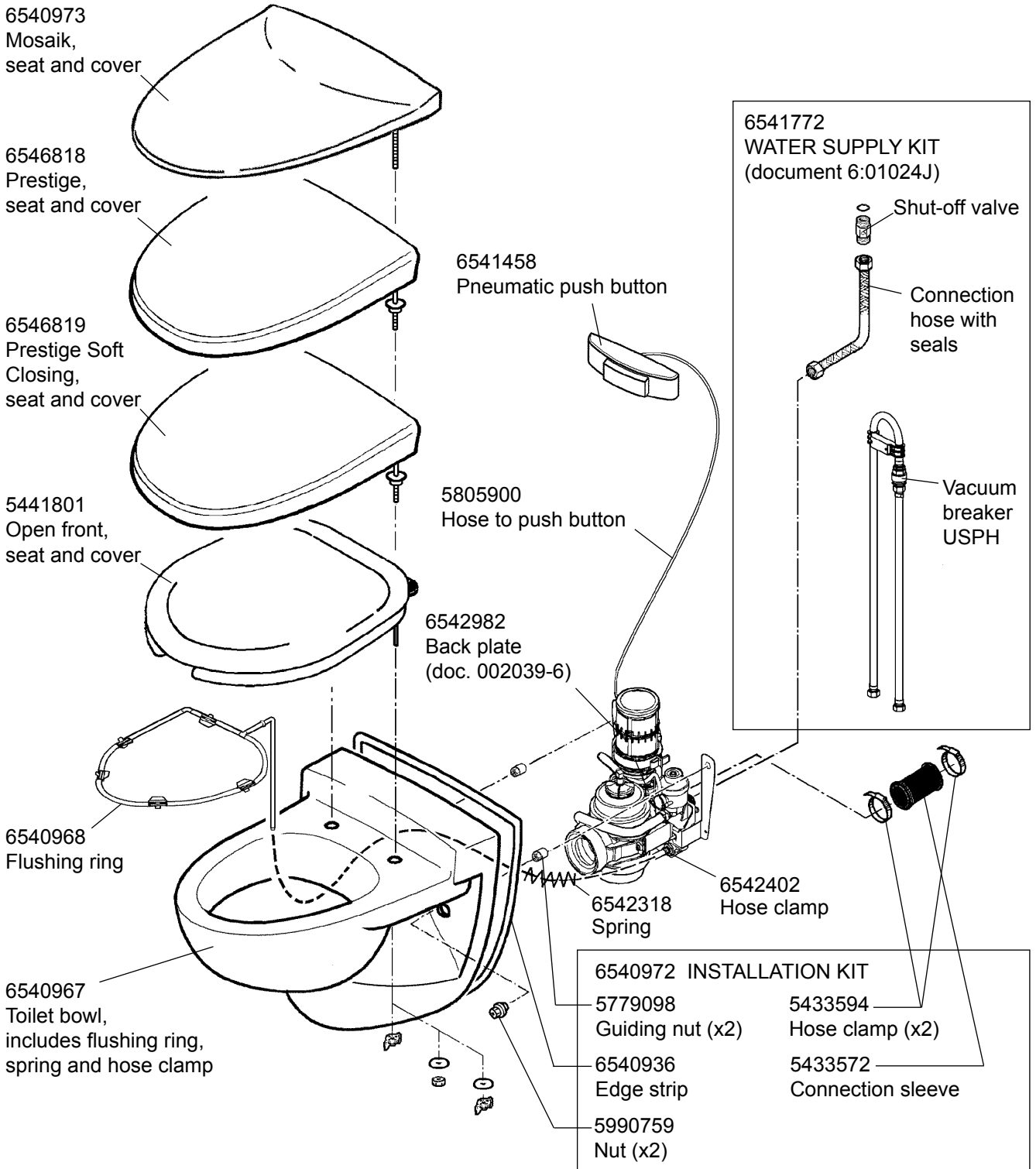
P/N 5980802 Water supply kit, USPH



VACUUM TOILET

- 6543420 EVAC 910, WALL MODEL USPH, PRESTIGE
- 6543421 EVAC 910, WALL MODEL USPH, MOSAIK
- 6544766 EVAC 910, WALL MODEL USPH, OPEN FRONT
- 6547227 EVAC 910, WALL MODEL USPH, PRESTIGE SOFT CLOSING

P/N 6543420 includes Prestige, seat and cover (P/N 6546818)
 P/N 6543421 includes Mosaik, seat and cover (P/N 6540973)
 P/N 6544766 includes Open front seat, seat and cover (P/N 5441801)
 P/N 6547227 includes Prestige Soft Closing, seat and cover (P/N 6546819)



VACUUM TOILET

6545825 EVAC 910, FLOOR MODEL, STAR

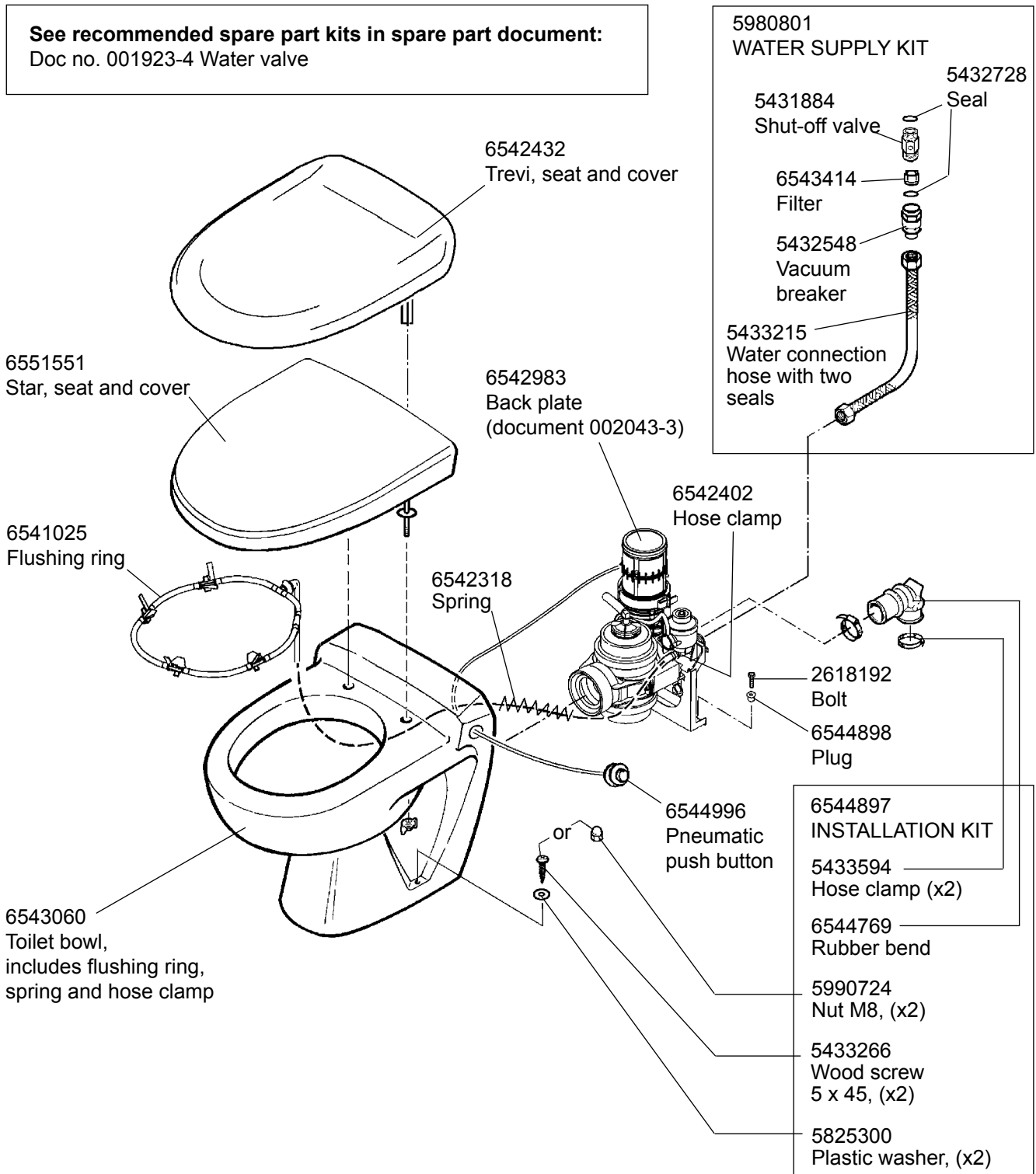
6545826 EVAC 910, FLOOR MODEL, TREVI

P/N 6545825 includes Star, seat and cover (P/N 6551551)

P/N 6545826 includes Trevi, seat and cover (P/N 6542432)

P/N 6541922 Silent, seat and cover is replaced by P/N 6551551 Star, seat and cover

See recommended spare part kits in spare part document:
Doc no. 001923-4 Water valve



VACUUM TOILET

6545827 EVAC 910, FLOOR MODEL USPH, STAR, WHITE

6545828 EVAC 910, FLOOR MODEL USPH, TREVI, WHITE

6545829 EVAC 910, FLOOR MODEL USPH, OPEN FRONT, WHITE

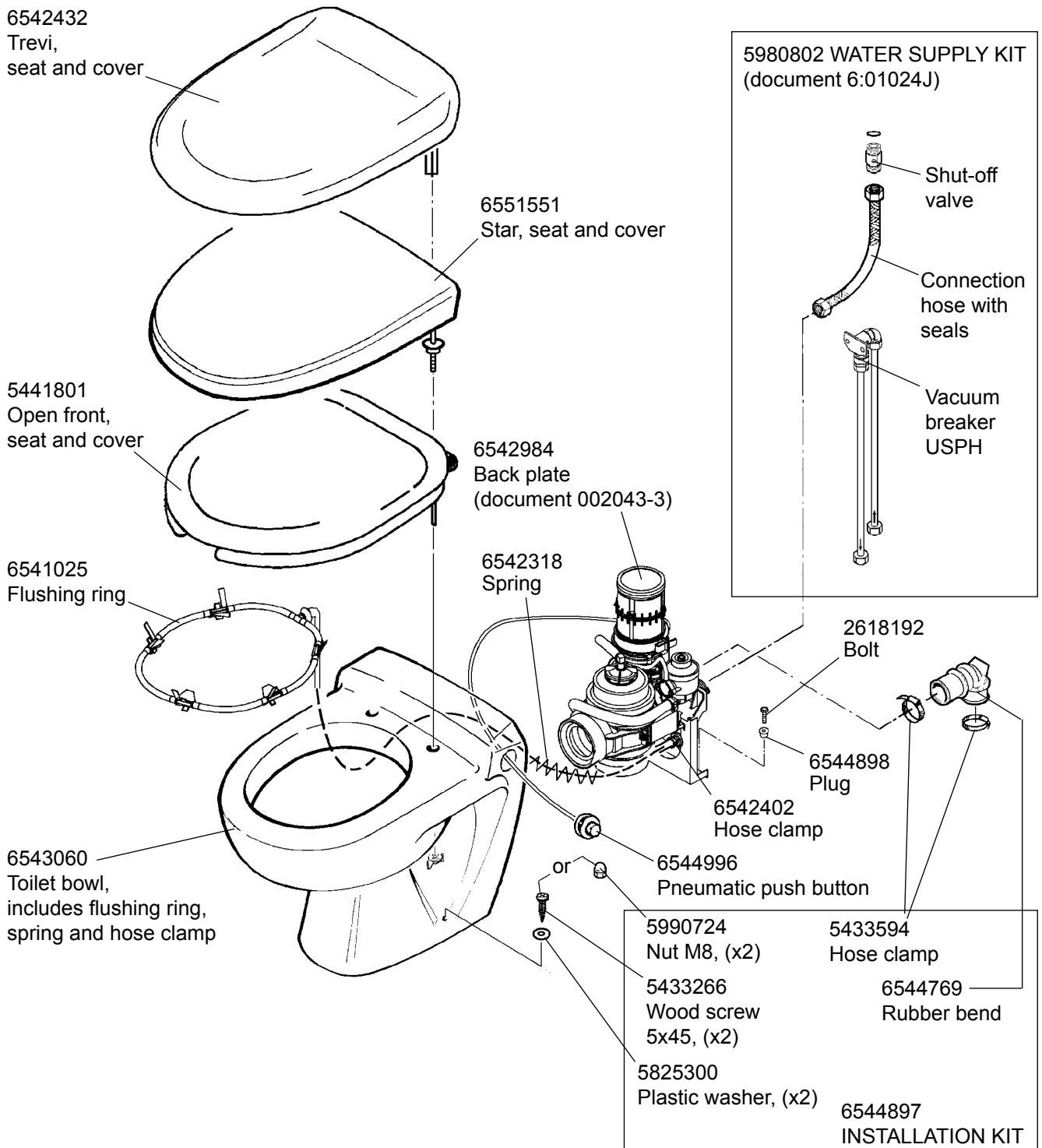
P/N 6545827 includes Star seat and cover (P/N 6551551)

P/N 6545828 includes Trevi seat and cover (P/N 6542432)

P/N 6545829 includes Open front seat and cover (P/N 5441801)

P/N 6541922 is replaced by P/N 6551551

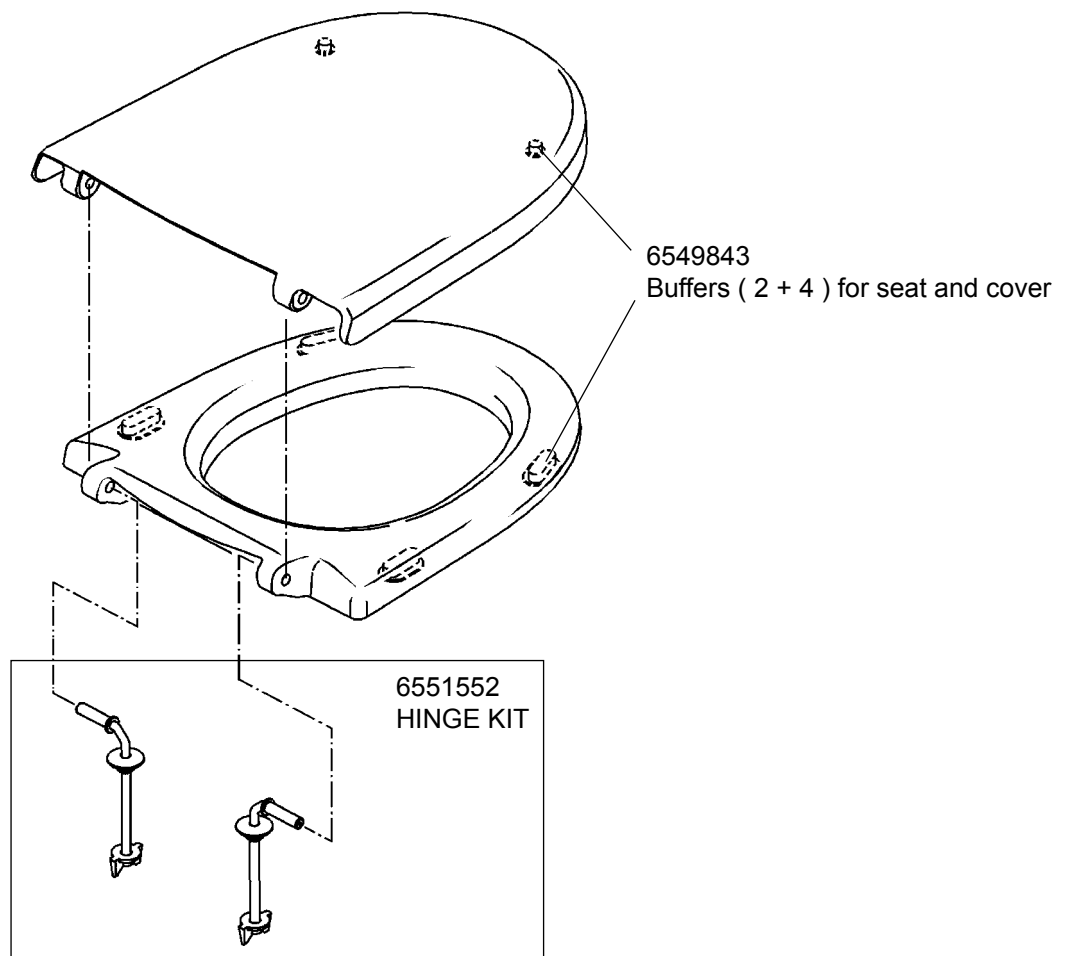
**See recommended part kits
in spare part document:
Doc no. 001923-4 Water valve**



VACUUM TOILET

6551551 EVAC STAR, SEAT AND COVER

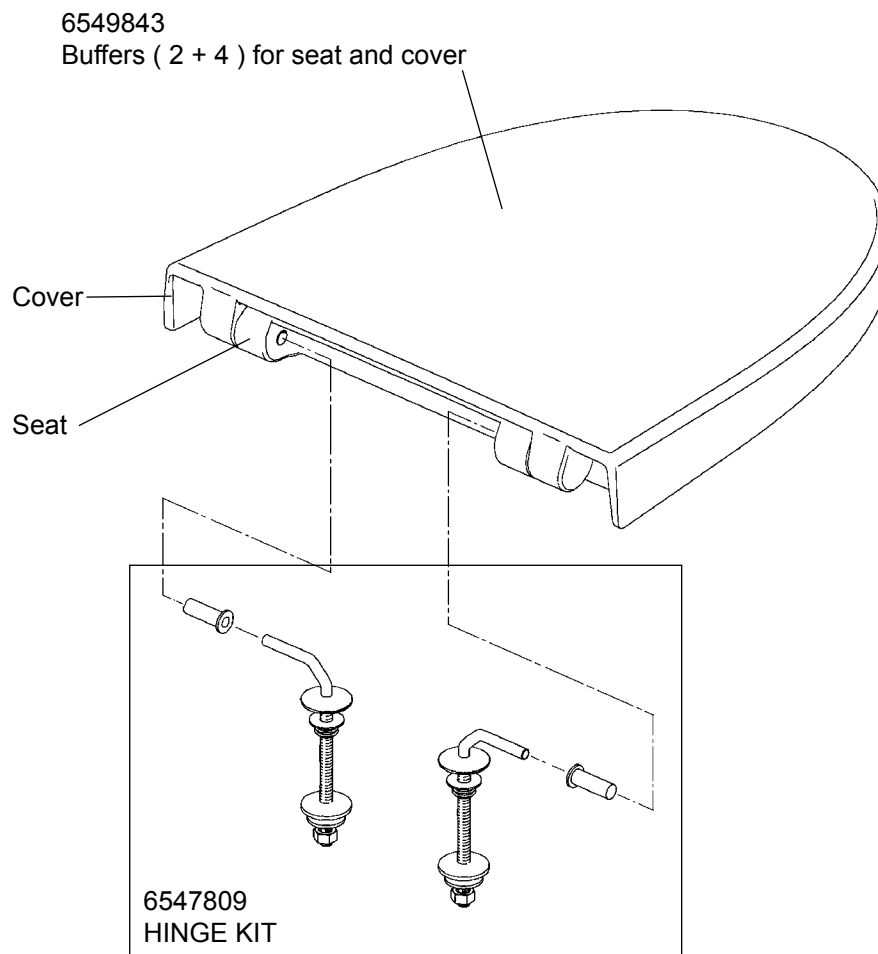
P/N 6541922 is replaced by P/N 6551551



VACUUM TOILET

6546818 PRESTIGE, SEAT AND COVER

Prestige seat and cover fulfills ANSI Z124.5 - 1997 (Plastic Toilet Seats (Water closet)) requirements.



**P/N 6544801
EVACINFLUX SILENT VALVE
FOR EVAC 90 WALL AND FLOOR MODEL TOILETS**

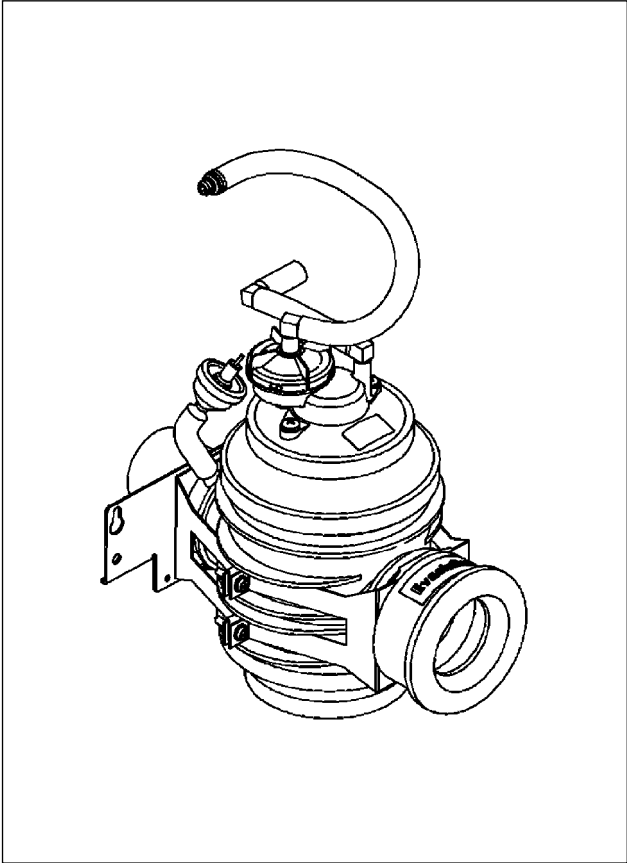


Table of contents

Installation:
P/N 6544801 EvacInflux silent valve Doc no. 002571-1

Spare parts:
P/N 6544801 EvacInflux silent valve Doc no. 002161-4

EVAC OY, tel.: + 358 20 763 0200, Finland

VACUUM TOILET

6544801 EVACINFLUX SILENT VALVE FOR EVAC 90 WALL AND FLOOR MODEL TOILETS

Installation of the EvacInflux silent valve for the back plate of the Evac 90 toilets

Toilet model	Back plate assembly P/N
Evac 90, wall model	5780000
Evac 90, wall model USPH	5780006
Evac 90, floor model	5780001
Evac 90, floor model USPH	5780011



- Install the pre assembled discharge valve on the back plate.

Mini-check valve "Vacuum" hose



- Connect the "vacuum" hose from the control mechanism to the mini-check valve.

"Discharge" hose Black cover



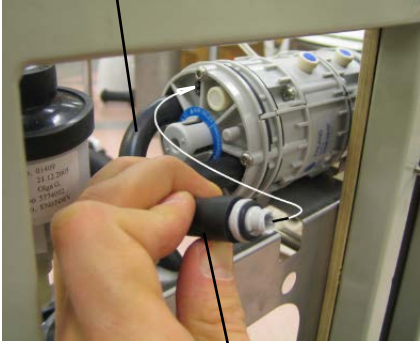
- Connect the "discharge" hose from the black cover of the discharge valve to the by-pass valve.

By-pass valve

VACUUM TOILET

6544801 EVACINFLUX SILENT VALVE FOR EVAC 90 WALL AND FLOOR MODEL TOILETS

"Air inlet" hole

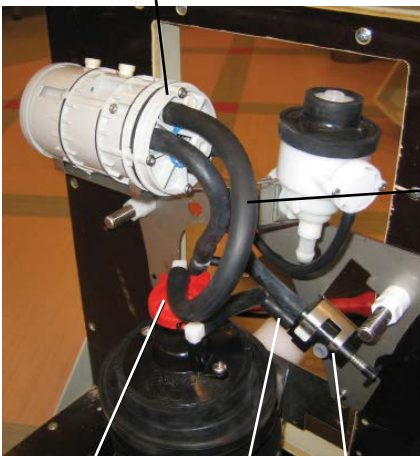


"Air inlet" hose

- Connect the "air inlet" hose from the red cap to the control mechanism. Use the push fit nipple installed at end of the "air inlet" hose. Push the nipple into the "air inlet" hole of the control mechanism until you feel it locks on.

! NOTE: If the control mechanism is produced in 09/2007 or later there is an integrated nipple in the control mechanism for the "air inlet" hose.

Control mechanism



The "air inlet" hose from the red cap to the control mechanism.

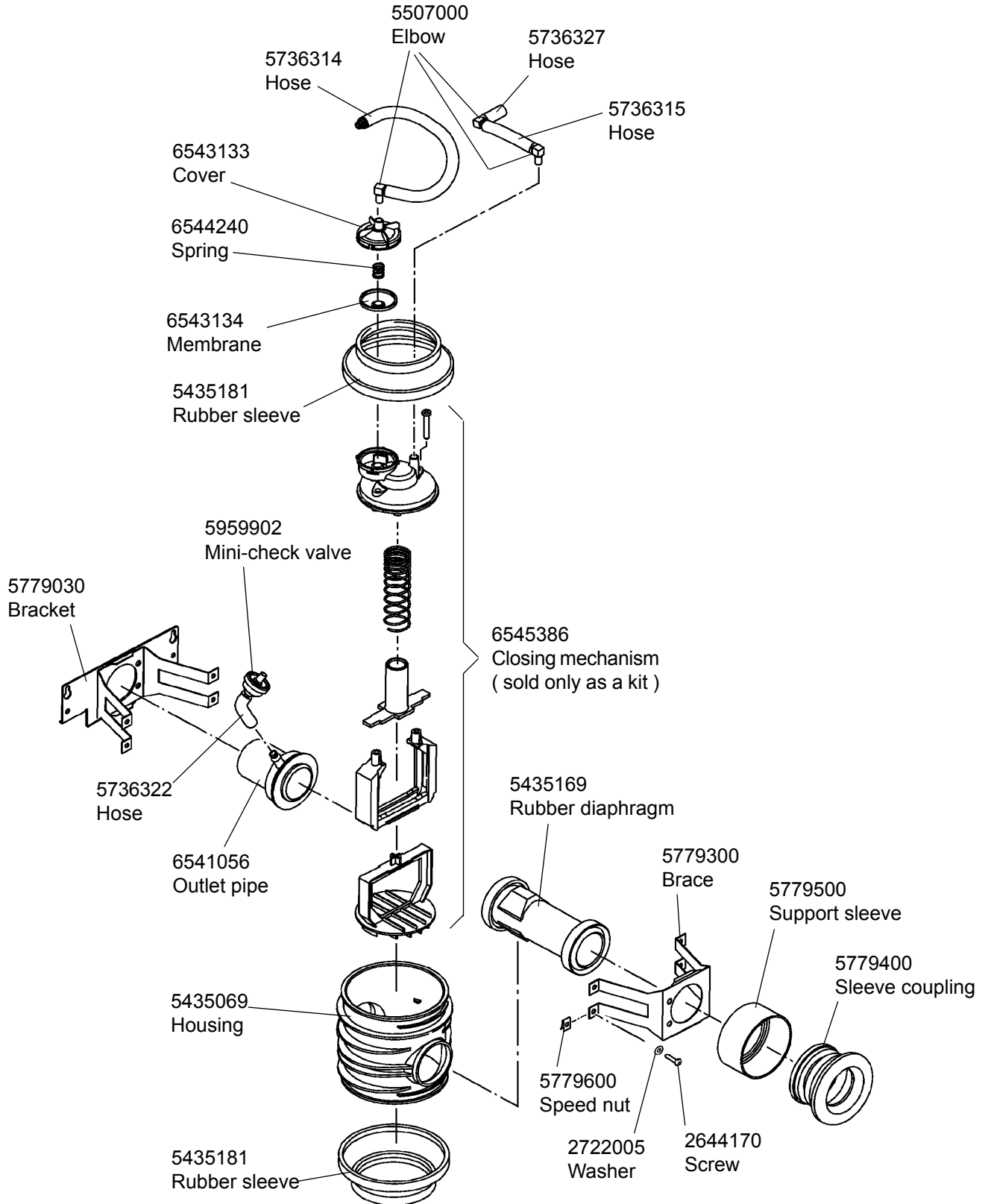
Red cap

By-pass valve

"Discharge" hose

VACUUM TOILET

6544801 EVACINFLUX SILENT VALVE



**P/N 6544801
EVACINFLUX SILENT VALVE
FOR EVAC 900 WALL AND FLOOR MODEL TOILETS**

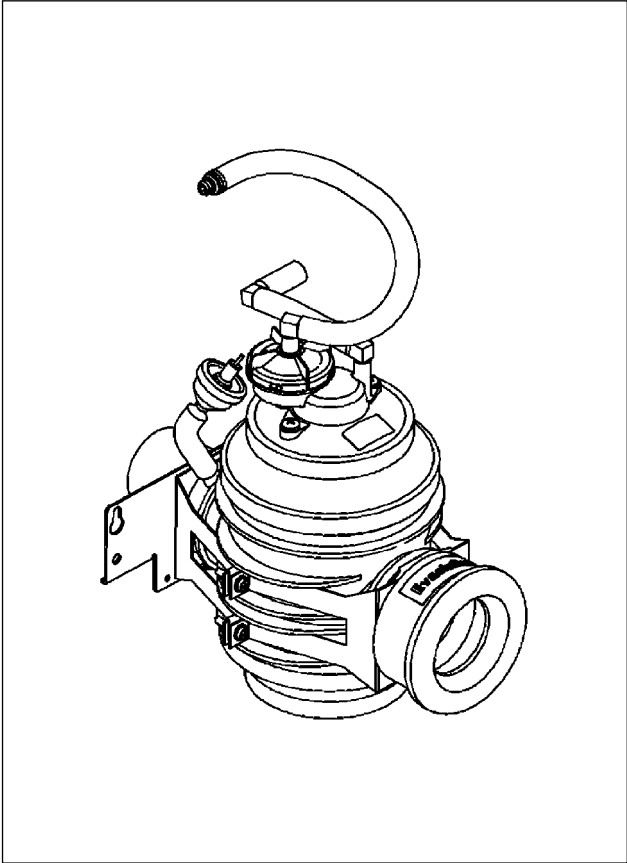


Table of contents

Installation:
P/N 6544801 EvacInflux silent valve Doc no. 002173-4

Spare parts:
P/N 6544801 EvacInflux silent valve Doc no. 002161-4

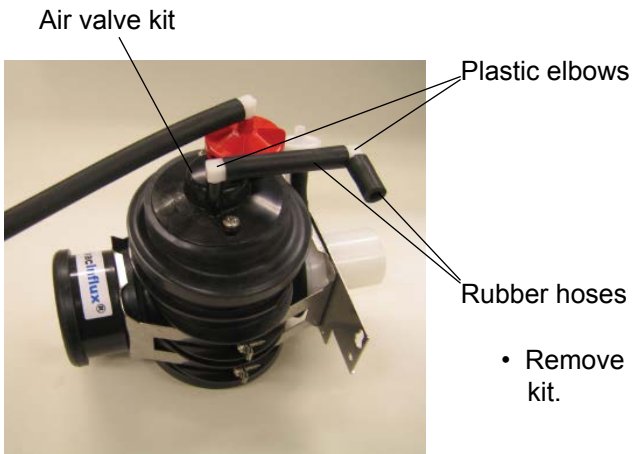
EVAC OY, tel.: + 358 20 763 0200, Finland

VACUUM TOILET

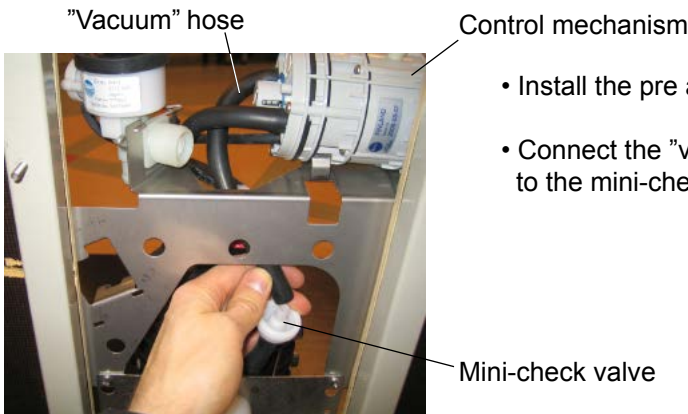
6544801 EVACINFLUX SILENT VALVE FOR EVAC 900 WALL AND FLOOR MODEL TOILETS

Installation of the EvacInflux silent valve for the back plate of the Evac 900 toilets

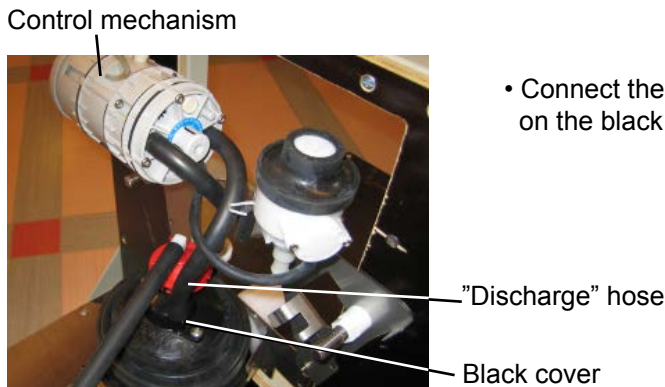
Toilet model	Back plate assembly P/N
Evac 900, wall model	6540969
Evac 900, wall model USPH	6541001
Evac 900, floor model	6541002
Evac 900, floor model USPH	6541003



- Remove two rubber hoses and two plastic elbows from the air valve kit.



- Install the pre assembled discharge valve on the back plate.
- Connect the "vacuum" hose from the control mechanism to the mini-check valve.

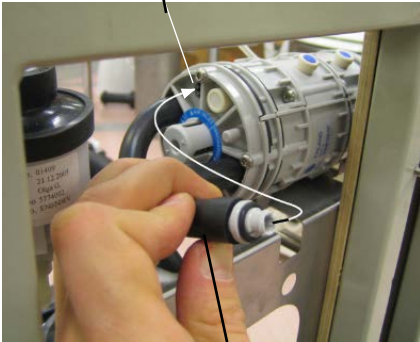


- Connect the "discharge" hose from the control mechanism on the black cover of the discharge valve.

VACUUM TOILET

6544801 EVACINFLUX SILENT VALVE FOR EVAC 900 WALL AND FLOOR MODEL TOILETS

"Air inlet" hole



"Air inlet" hose

- Connect the "air inlet" hose from the red cap to the control mechanism. Use the push fit nipple installed at end of the "air inlet" hose. Push the nipple into the "air inlet" hole of the control mechanism until you feel it locks on.

! NOTE: If the control mechanism is produced in 09/2007 or later there is an integrated nipple in the control mechanism for the "air inlet" hose.

Control mechanism

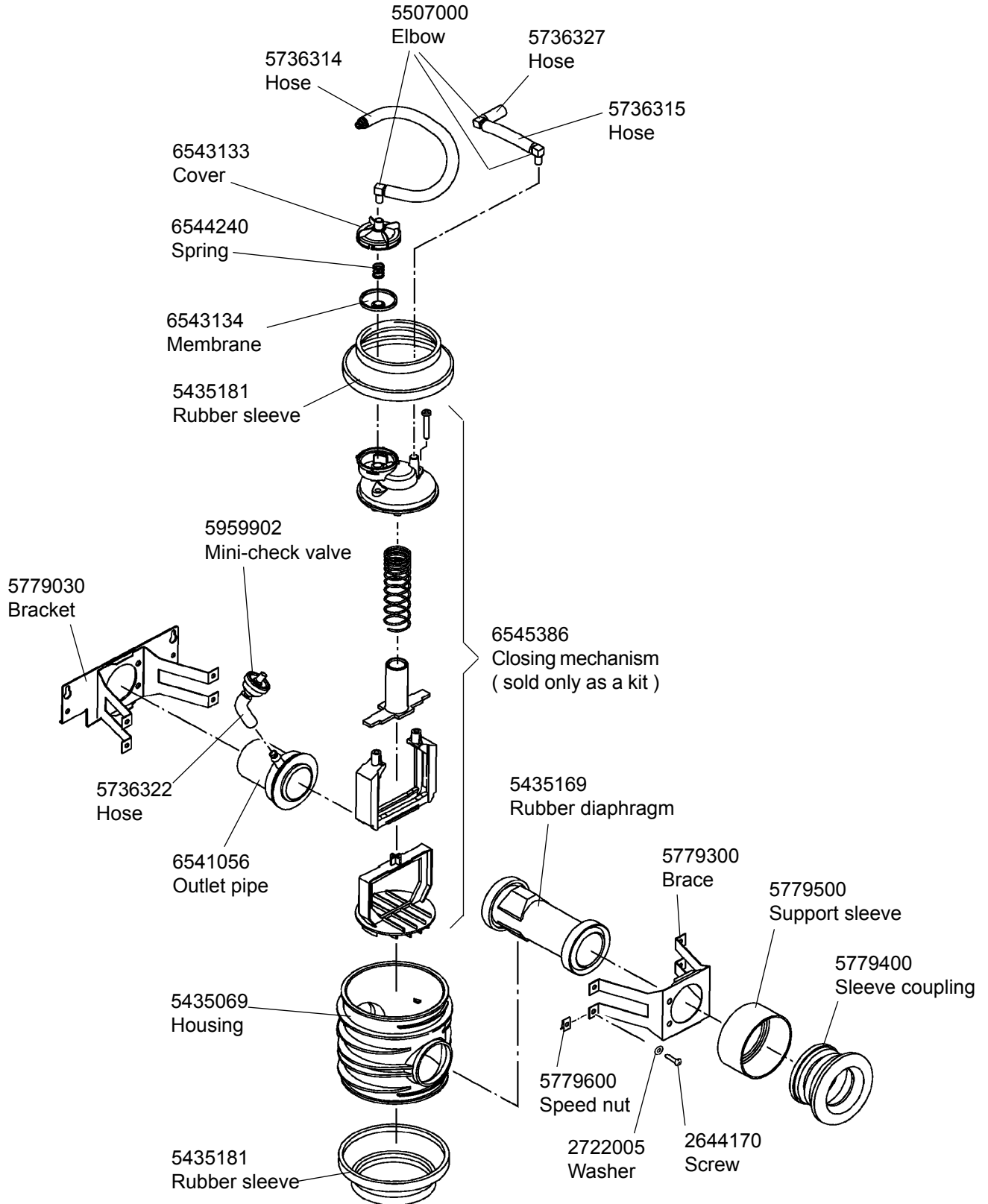


"Air inlet" hose from red cap
to the control mechanism

Red cap

VACUUM TOILET

6544801 EVACINFLUX SILENT VALVE





EVAC 90 AND 900 TYPE TOILETS

[Recommended products](#)

P/N 6544681 EVACINFLUX SILENT KIT

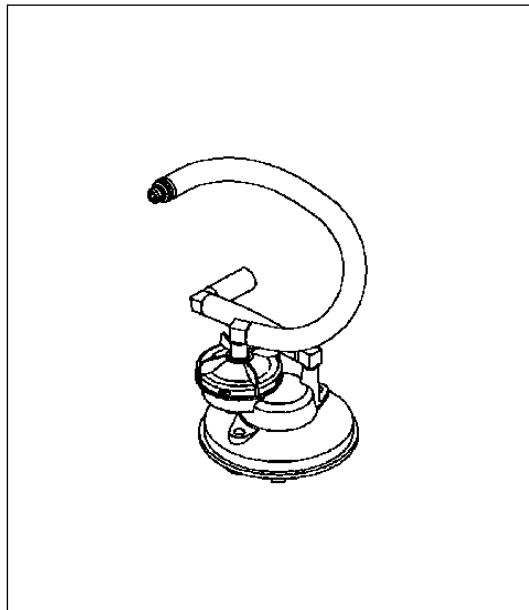


Table of contents

Installation:

P/N 6544681 EvacInflux silent kit Doc no. 002211-2

Spare parts:

P/N 6544681 EvacInflux silent kit Doc no. 002169-3

VACUUM TOILET

6544681 EVACINFLUX SILENT KIT FOR EVAC 90 AND 900 WALL AND FLOOR MODEL TOILETS

Installation for the back plate:

WALL MODEL TOILETS:

P/N	Product
5780000	Evac 90, wall model
5780006	Evac 90, wall model USPH
6540969	Evac 900, wall model
6541001	Evac 900, wall model USPH

FLOOR MODEL TOILETS:

P/N	Product
5780001	Evac 90, floor model
5780011	Evac 90, floor model USPH
6541002	Evac 900, floor model
6541003	Evac 900, floor model USPH

Installation of the EvacInflux silent kit



- Remove the discharge valve from the back plate.
- Remove the upper rubber sleeve from the discharge valve.



- Push the cover down and remove both screws.

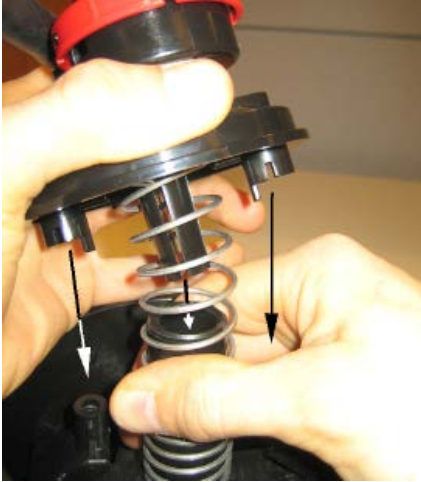


- Lift the cover up carefully.

! NOTE: Beware the bouncing spring.

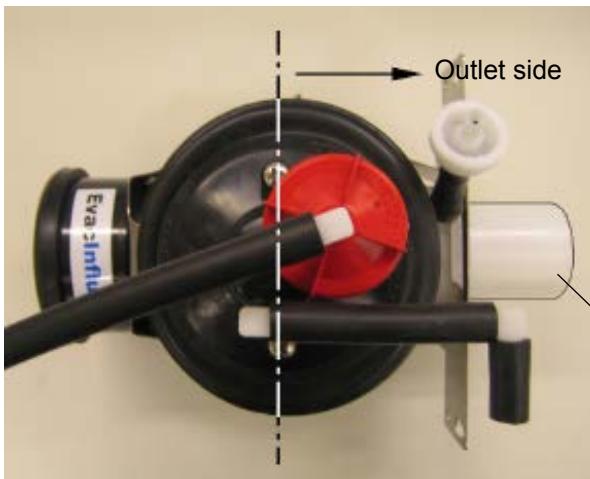
VACUUM TOILET

6544681 EVACINFLUX SILENT KIT FOR EVAC 90 AND 900 WALL AND FLOOR MODEL TOILETS



- Install the EvacInflux silent kit.
- String the guide posts of the cover trough the spring into the hole of the valve mechanism. Control the spring with the other hand to help mounting.

! NOTE: Pay attention to the right position of the cover. The red cap of the air valve must be on the same side of the discharge valve than the outlet pipe.



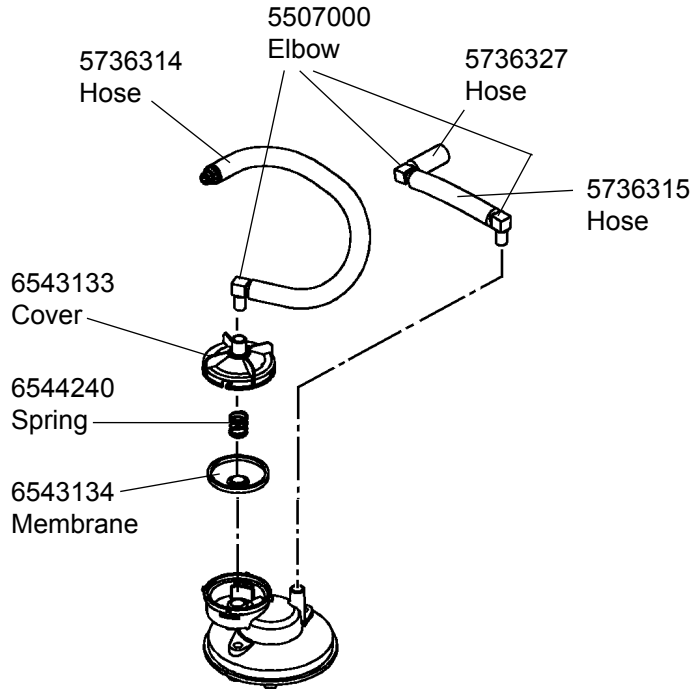
! NOTE: Pay attention to the right position of the cover. The red cap of the air valve must be on the same side of the discharge valve than the outlet pipe (outlet side).



- Put both screws back on their place and tight properly.

VACUUM TOILET

6544681 EVACINFLUX SILENT KIT



P/N 6545538 AUTOFLUSH UNIT

(FOR EVAC 90, 900 AND 910 TOILETS WITH WALL BUSH BUTTON)
(NOT FOR EVAC 90 STAINLESS STEEL TOILETS AND SQUATTING TOILET)

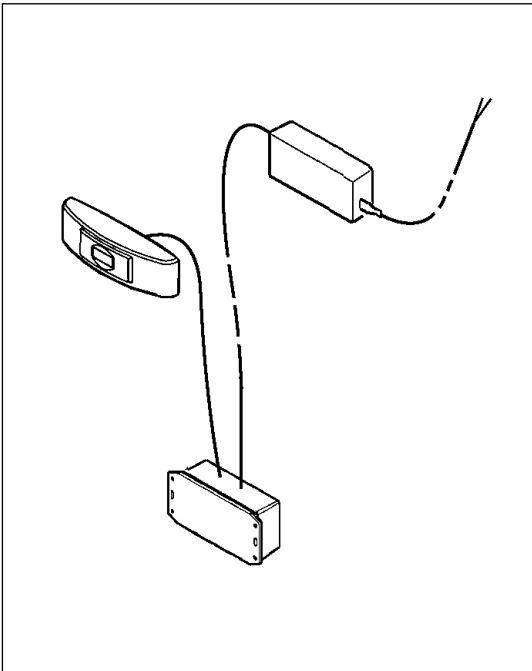


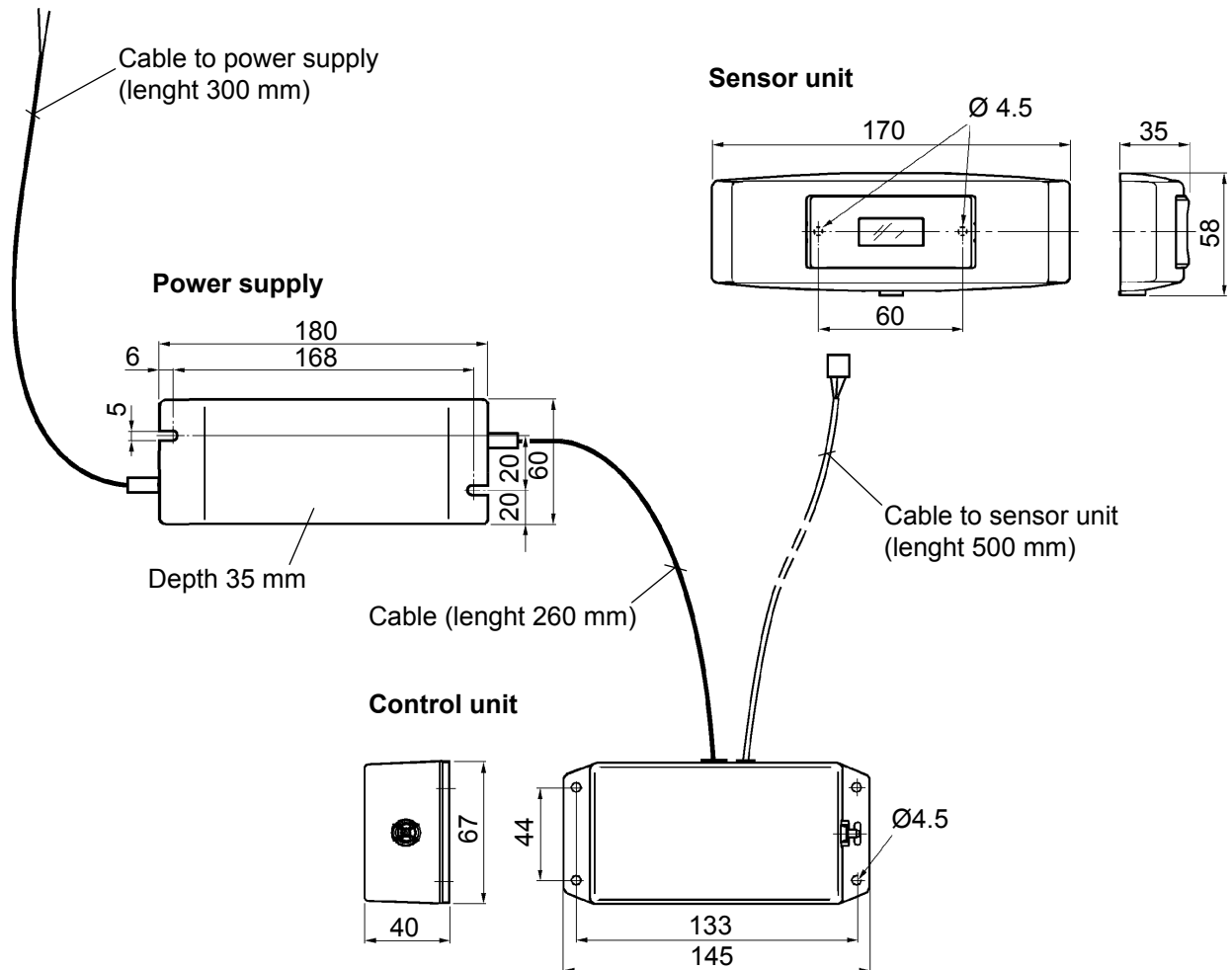
Table of contents

Technical data Doc. no. 002214-4

Installation Doc. no. 002353-3

Spare parts Doc. no. 002354-2

VACUUM TOILET

6545538 AUTOFLUSH UNIT


Materials Control unit; bellows: rubber, cover and bottom of control box: ABS
 Sensor; cover: ABS white, bottom plate: POM natural
 Box of power supply: plastic

Operating data Sensor type: Infra red
 Sensor distance: 600 mm (set); 100 ... 700 (adjustable)
 Sensor activation: delay 5 sec. (set); 0 ... 10 sec. (adjustable)
 Flushing timing: 2.5 sec. (set); 0 ... 10 sec. (adjustable)
 Flushing activation delay: < 2 sec.
 Power consumption: Stand-by 0.7 W, operating 45 W
 Operating temperature: 0 ... +60°C
 Operating voltage: 24V DC 30 mA
 Protection class; Control unit: IP44, Power supply: IP64

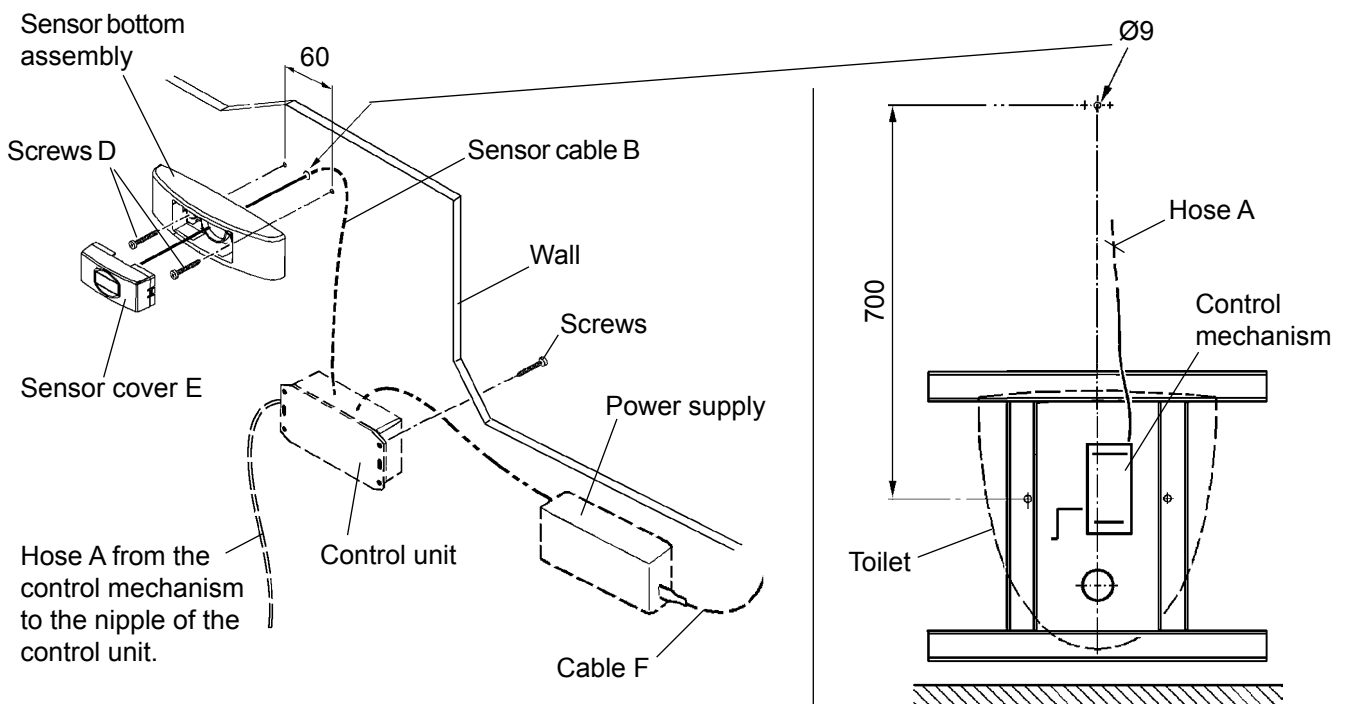
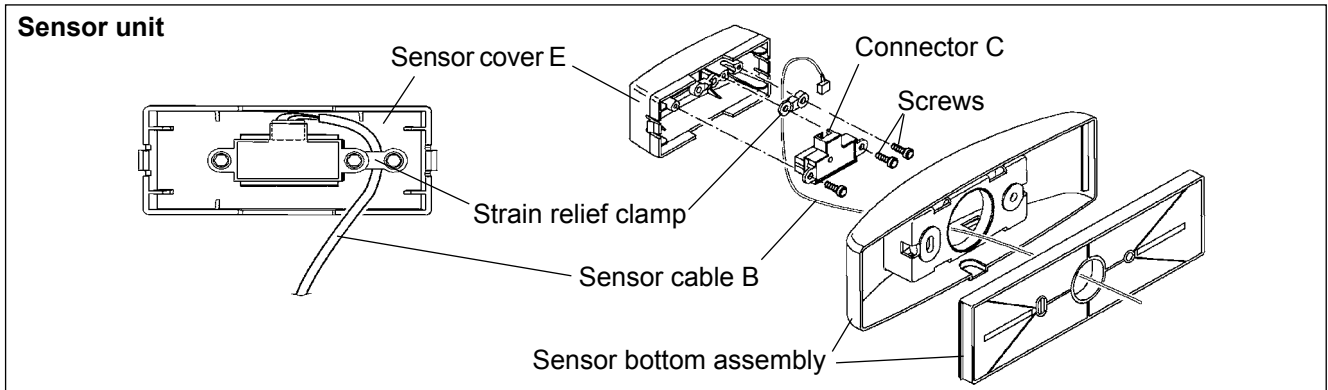
Connections: Power supply: 100-240 V ~ 1.5-0.7 A, 50/60 Hz

Shipping data: Net weight: 0.83 kg

Other Installation screws are not included in delivery

VACUUM TOILET

6545538 AUTOFLUSH UNIT



- Remove the hose (A) from the old push button. Remove the old push button from the wall.
- Drill the hole Ø9 for the sensor cable (B).
- Loosen the sensor cover (E) from the sensor bottom assembly.
- Loosen the sensor cable (B) from the connector (C).
- Install the sensor bottom assembly with the screws (D) on the wall.
- Thread the sensor cable (B) through the hole of the sensor bottom and the wall.
- Connect the sensor cable (B) to the connector (C).
- Put the sensor cable (B) under the strain relief clamp and tighten with the screws.
- Snap on the cover (E).
- Install the control unit and the power supply (optional places, note the length (1m) of the hose (A) and the cable (B)) with the screws (not included) on the wall.
- Install the hose (A) from the control mechanism to the nipple of the control unit. Warm the end of the hose if needed to help installation. **! NOTE:** Secure the hose (A) is not flattened during installation. The air impulse must be always flow free.
- Connect the cable (F) to the power supply.

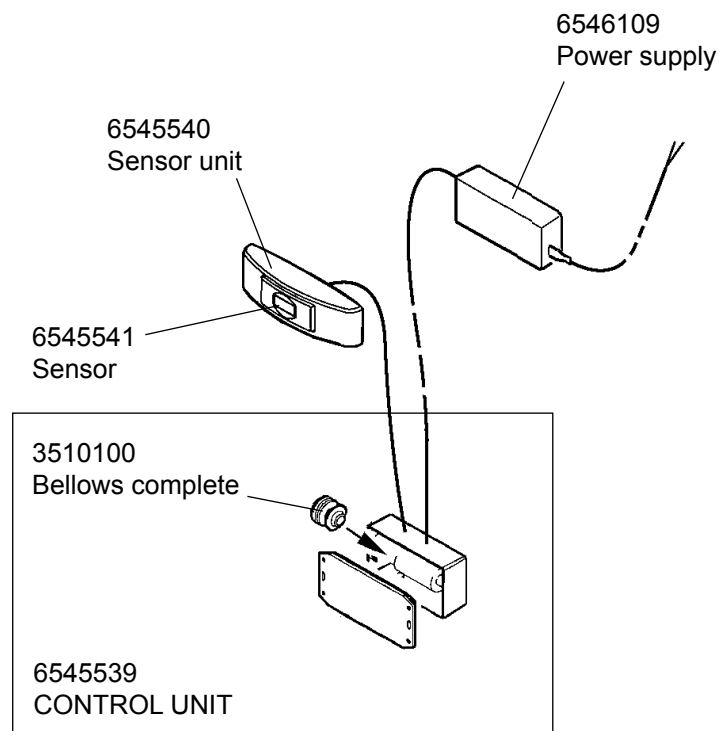
! Note: Installation screws are not included in delivery.

VACUUM TOILET

6545538 AUTOFLUSH UNIT

! NOTE:

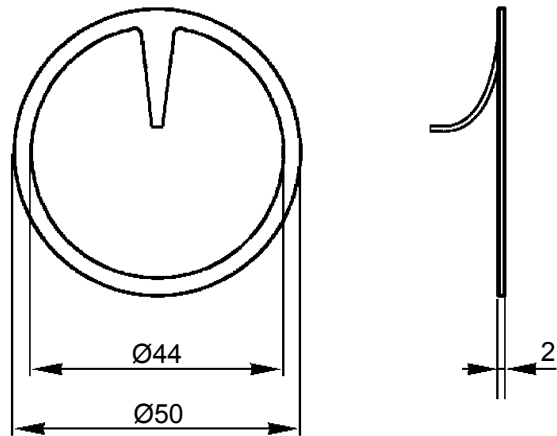
For Evac 90, 900 and 910 toilets with wall push button, not for Evac 90 Stainless steel toilets and Squatting toilet



VACUUM TOILET

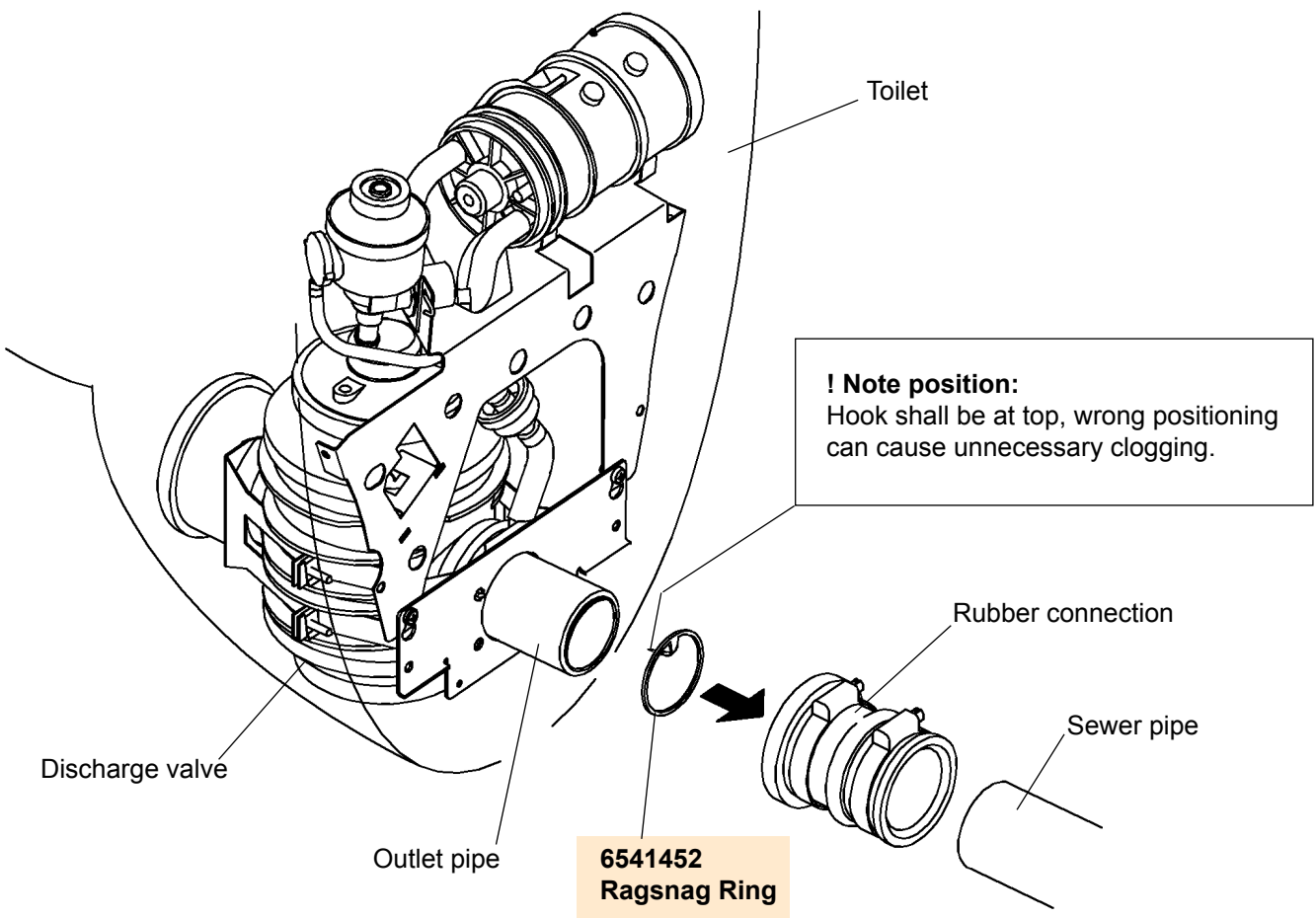
6541452 RAGSNAG RING FOR PIPING CLOGGING PREVENTION

The Ragsnag Ring prevents “foreign objects” to clog piping.



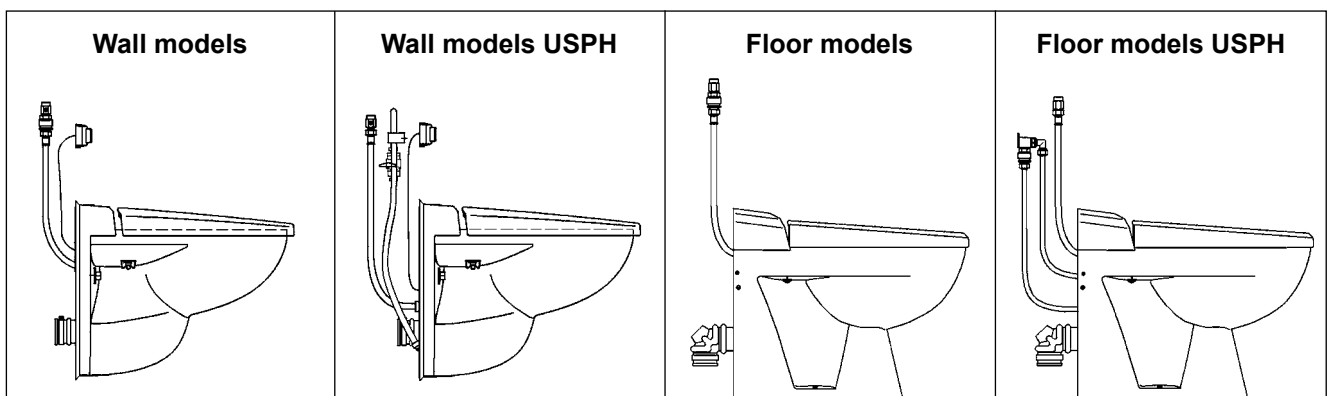
Installation

The Ragsnag Ring (6541452) is installed between the internal recess of the rubber connection and the outlet pipe. Ensure that the hooked centre barb is pointing into the toilet bowl and projects from upper section of the ring.



EVAC 910 TYPE TOILETS

- the most silent vacuum toilet on world market •
- designed for the cruise liners •



[Spare parts](#)

[Replacing products](#)

[Recommended products](#)

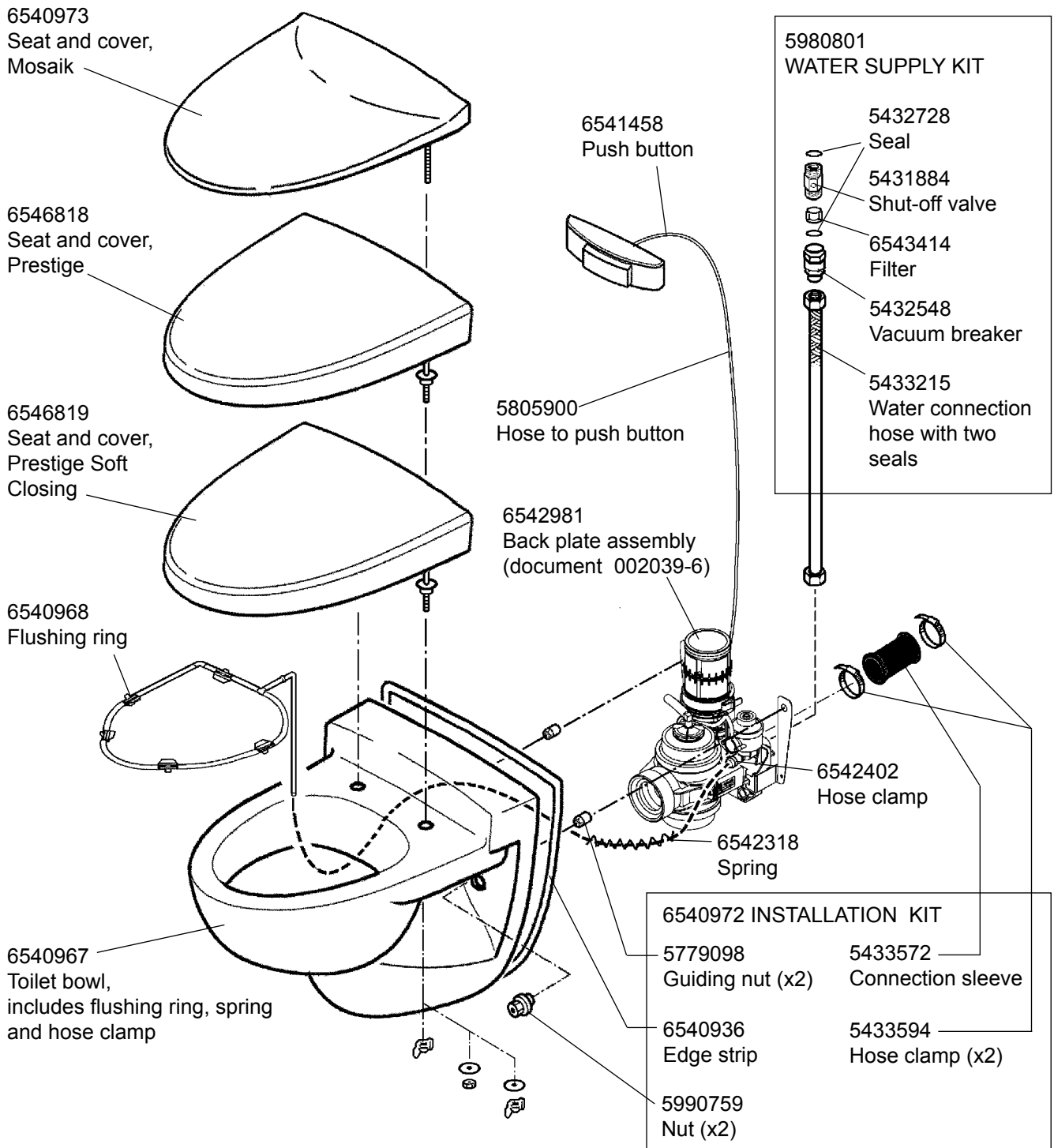


EVAC 910 TYPE TOILETS

[Spare parts](#)

- 6543418 EVAC 910, WALL MODEL, PRESTIGE, WHITE**
- 6543419 EVAC 910, WALL MODEL, MOSAIK, WHITE**
- 6547226 EVAC 910, WALL MODEL, PRESTIGE SOFT CLOSING, WHITE**

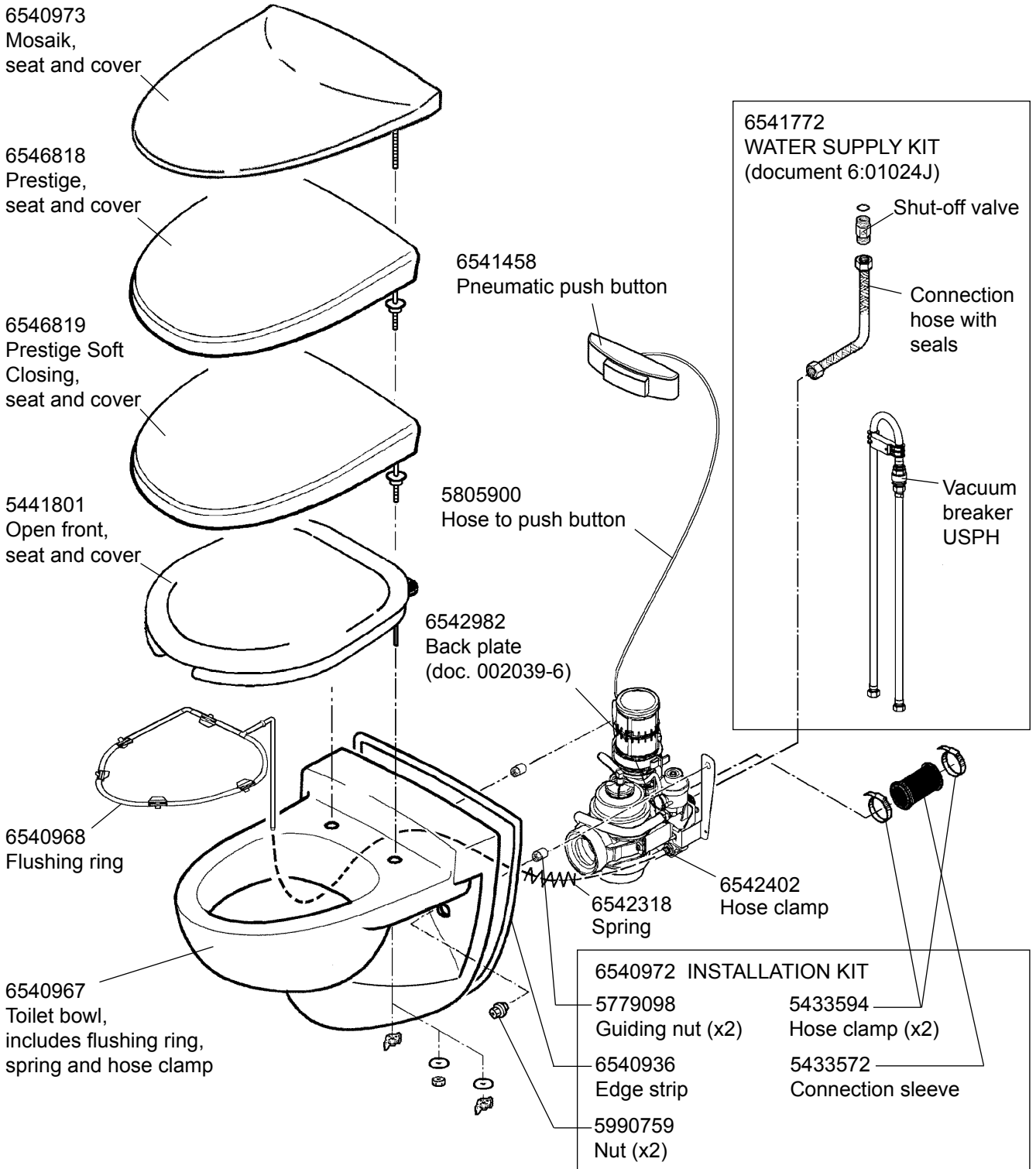
P/N 6543418 includes Prestige seat and cover (P/N 6546818)
 P/N 6543419 includes Mosaik seat and cover (P/N 6540973)
 P/N 6547226 includes Prestige Soft Closing seat and cover (P/N 6546819)



VACUUM TOILET

- 6543420 EVAC 910, WALL MODEL USPH, PRESTIGE
- 6543421 EVAC 910, WALL MODEL USPH, MOSAIK
- 6544766 EVAC 910, WALL MODEL USPH, OPEN FRONT
- 6547227 EVAC 910, WALL MODEL USPH, PRESTIGE SOFT CLOSING

P/N 6543420 includes Prestige, seat and cover (P/N 6546818)
 P/N 6543421 includes Mosaik, seat and cover (P/N 6540973)
 P/N 6544766 includes Open front seat, seat and cover (P/N 5441801)
 P/N 6547227 includes Prestige Soft Closing, seat and cover (P/N 6546819)



VACUUM TOILET

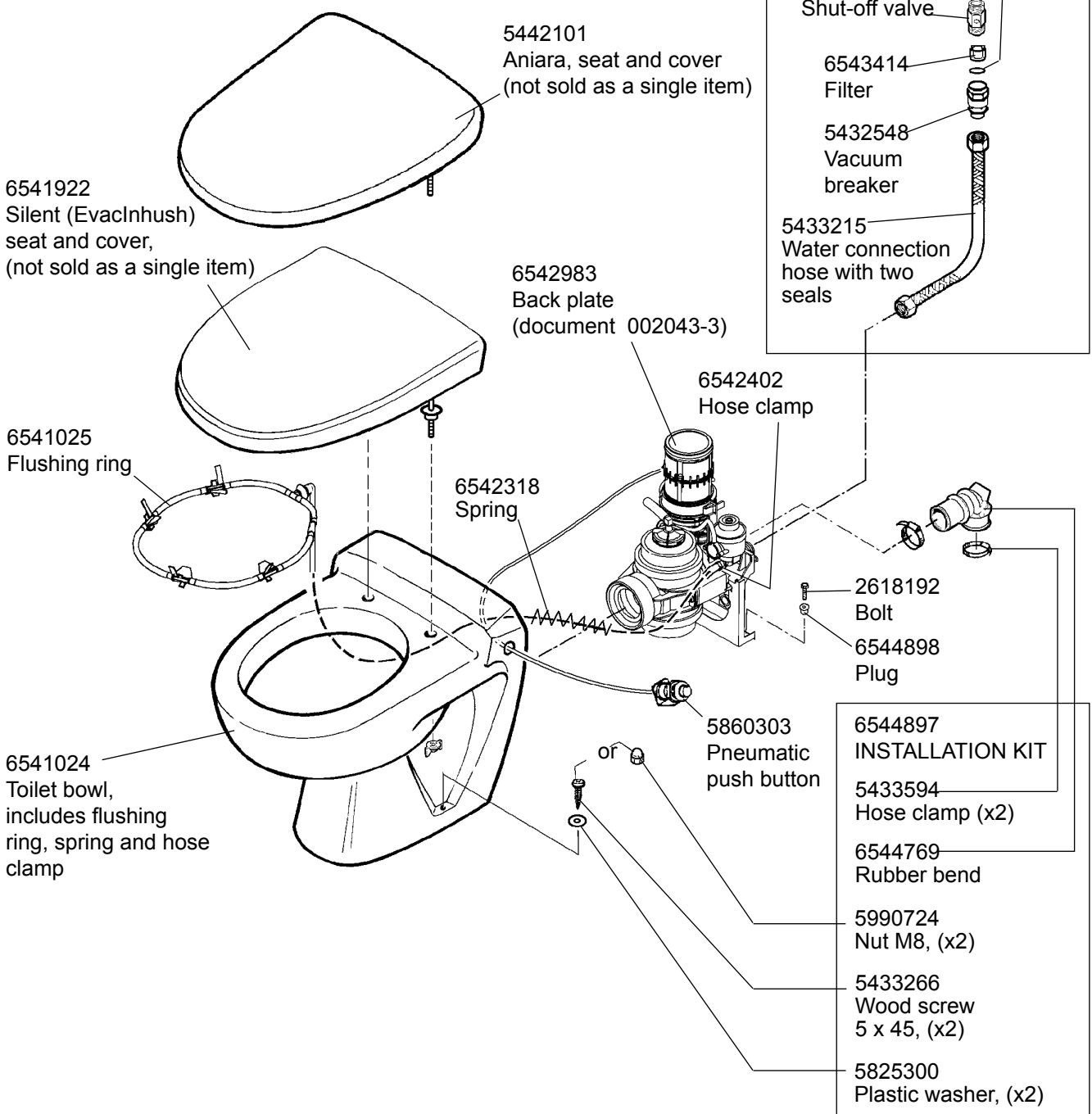
6543422 EVAC 910, FLOOR MODEL, SILENT (EVACINHUSH), (not sold as a single item)
 6543423 EVAC 910, FLOOR MODEL, ANIARA, (not sold as a single item)

P/N 6543422 is replaced by P/N 6545825
 P/N 6543423 is replaced by P/N 6545826

P/N 5442101 is replaced by P/N 6542432
 P/N 6541922 is replaced by P/N 6551551

See recommended spare part kits in spare part document:
 Doc no. 001923-4 Water valve

P/N 6543422 includes Silent (EvacInhush) seat and cover (P/N 6541922)
 P/N 6543423 includes Aniara seat and cover (P/N 5442101)



VACUUM TOILET

6545825 EVAC 910, FLOOR MODEL, STAR

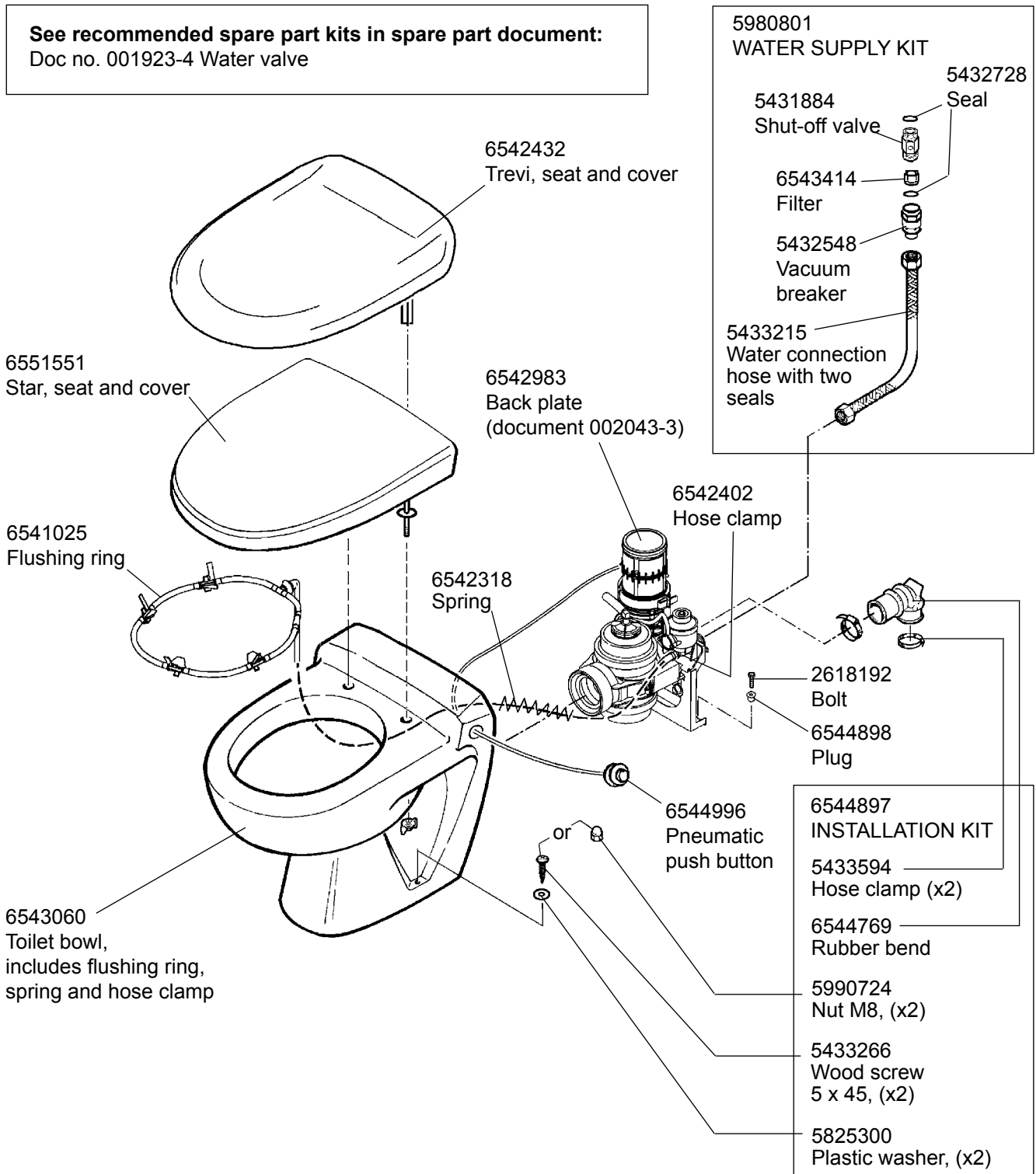
6545826 EVAC 910, FLOOR MODEL, TREVI

P/N 6545825 includes Star, seat and cover (P/N 6551551)

P/N 6545826 includes Trevi, seat and cover (P/N 6542432)

P/N 6541922 Silent, seat and cover is replaced by P/N 6551551 Star, seat and cover

See recommended spare part kits in spare part document:
Doc no. 001923-4 Water valve



VACUUM TOILET

6543424 EVAC 910, FLOOR MODEL USPH, SILENT (EVACINHUSH), (not sold as a single item)

6543425 EVAC 910, FLOOR MODEL USPH, ANIARA, (not sold as a single item)

6544797 EVAC 910, FLOOR MODEL USPH, OPEN FRONT, (not sold as a single item)

P/N 6543424 includes Silent (EvacInhush) seat and cover (P/N 6541922)

P/N 6543425 includes Aniara seat and cover (P/N 5442101)

P/N 6544797 includes Open front seat and cover (P/N 5441801)

P/N 6543424 is replaced by P/N 6545827

P/N 6543425 is replaced by P/N 6545828

P/N 6544797 is replaced by P/N 6545829

P/N 5442101 is replaced by P/N 6542432

P/N 6541922 is replaced by P/N 6551551

5442101

Seat and cover,
Aniara
(not sold as
a single item)

6541922

Seat and cover,
Silent(EvacInhush),
with metal hinges
(not sold as
a single item)

5441801

Seat and cover,
Open front

6541025

Flushing ring

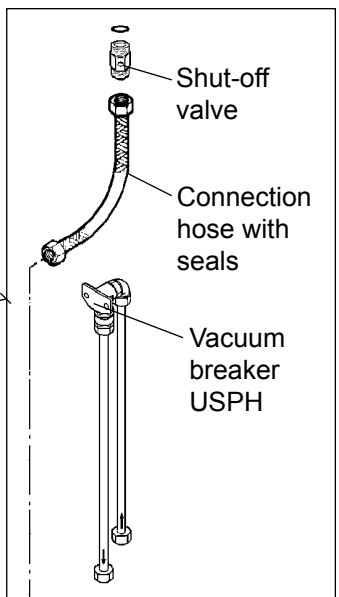
6541024

Toilet bowl,
includes flushing ring,
spring and hose clamp

**See recommended part kits
in spare part document:
Doc no. 001923-4 Water valve**

5980802
WATER SUPPLY KIT
(doc. 6:01024J)

6542984
Back plate
(doc. 002043-3)



6542402
Hose clamp

2618192
Bolt
6544898
Plug

6542318
Spring

5860303
Pneumatic push button

**6544897
INSTALLATION KIT**

5990724
Nut M8, (x2)

5433594
Hose clamp

5433266
Wood screw
5x45, (x2)

6544769
Rubber bend

5825300
Plastic washer, (x2)

VACUUM TOILET

6545827 EVAC 910, FLOOR MODEL USPH, STAR, WHITE

6545828 EVAC 910, FLOOR MODEL USPH, TREVI, WHITE

6545829 EVAC 910, FLOOR MODEL USPH, OPEN FRONT, WHITE

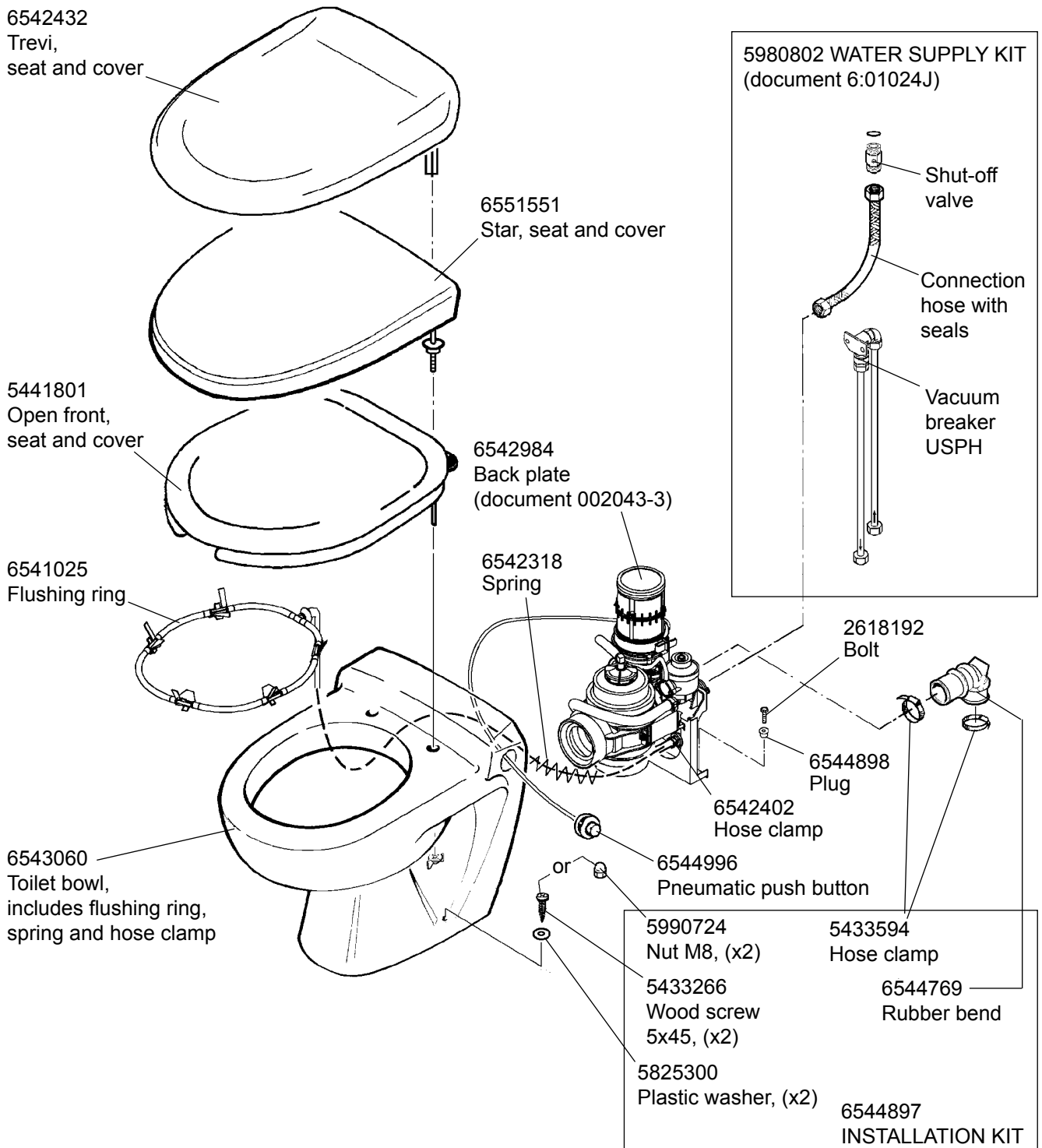
P/N 6545827 includes Star seat and cover (P/N 6551551)

P/N 6545828 includes Trevi seat and cover (P/N 6542432)

P/N 6545829 includes Open front seat and cover (P/N 5441801)

P/N 6541922 is replaced by P/N 6551551

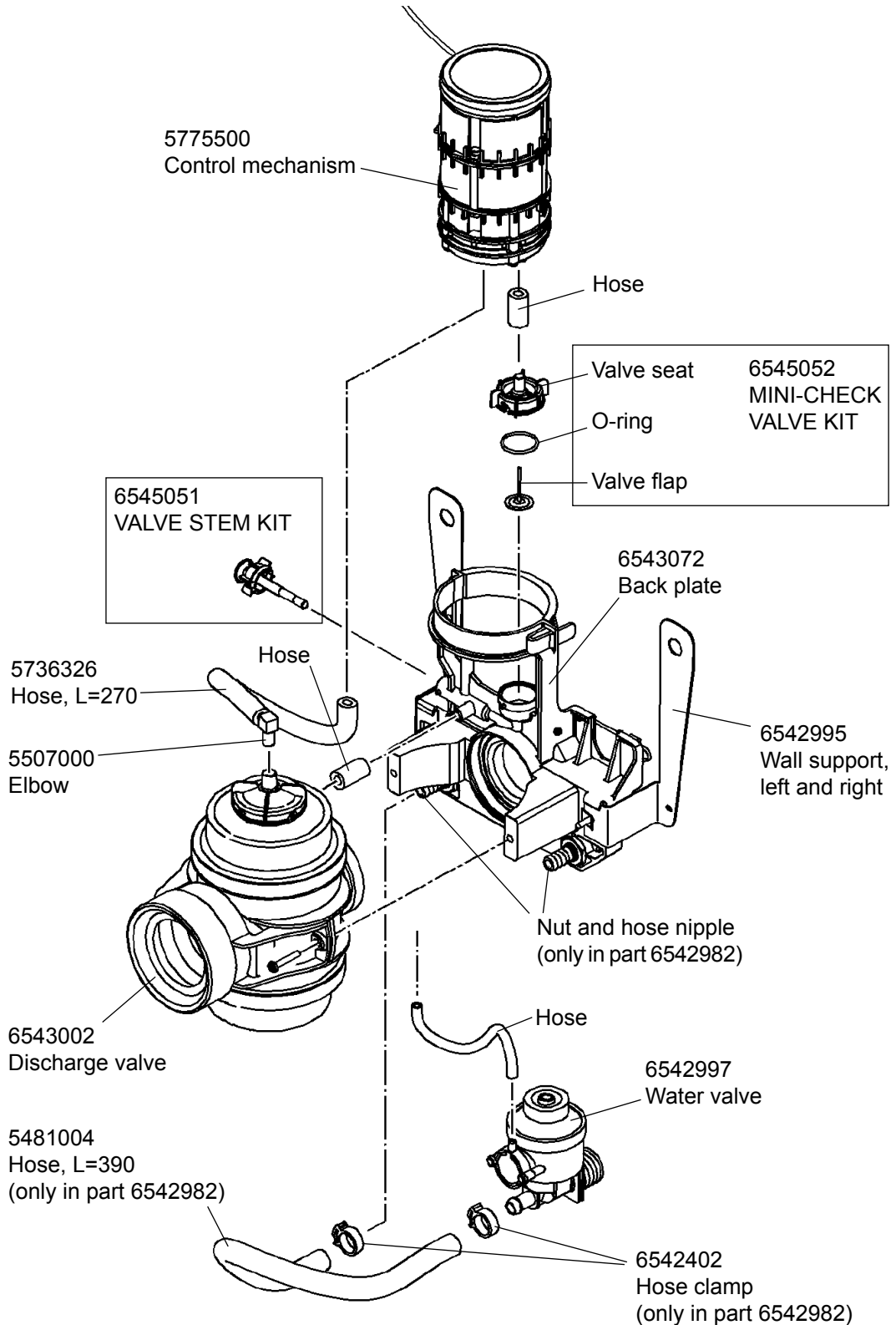
**See recommended part kits
in spare part document:
Doc no. 001923-4 Water valve**



VACUUM TOILET

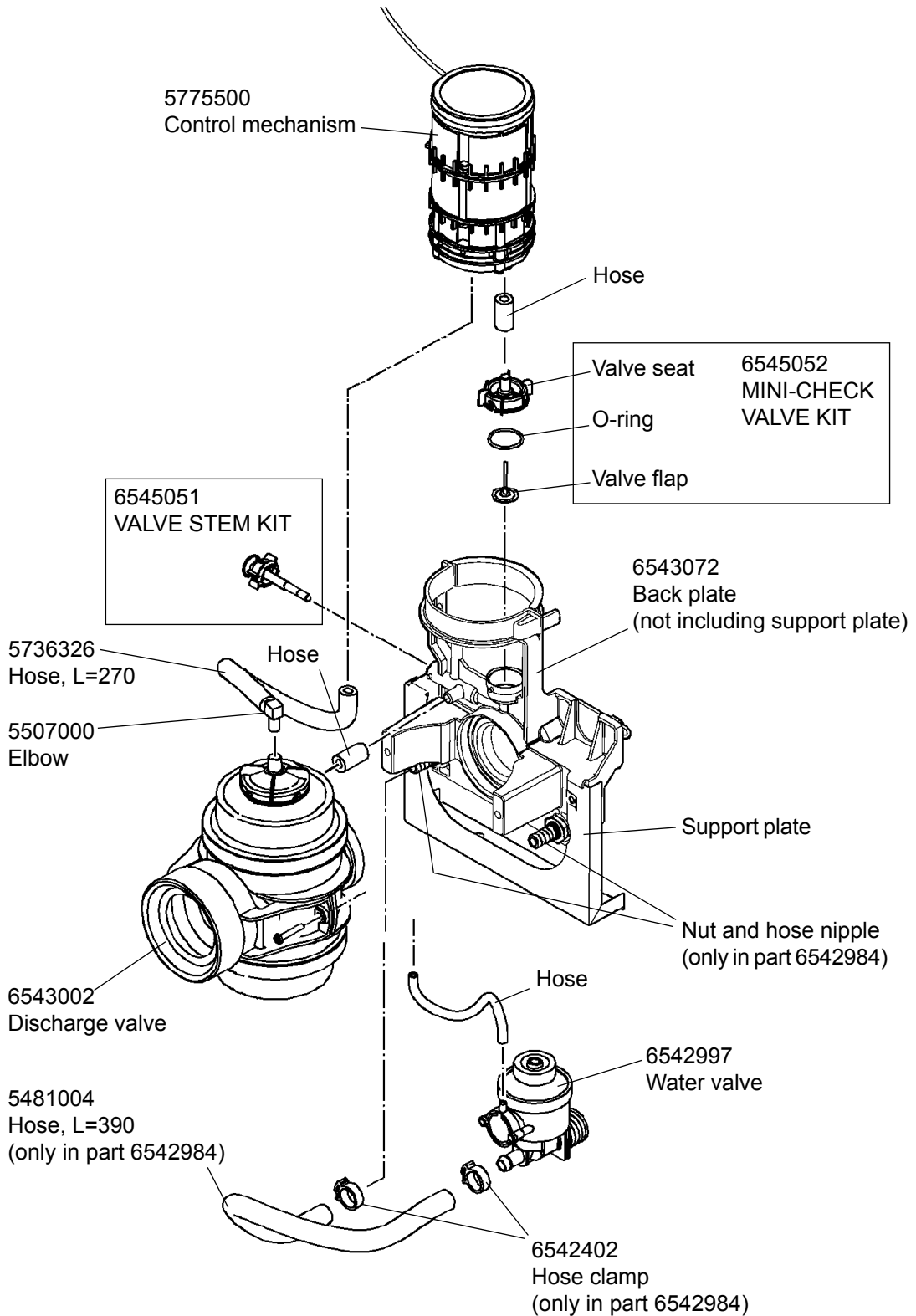
6542981 BACK PLATE ASSEMBLY, EVAC 910 AND 912, WALL MODELS

6542982 BACK PLATE ASSEMBLY, EVAC 910, WALL MODELS USPH



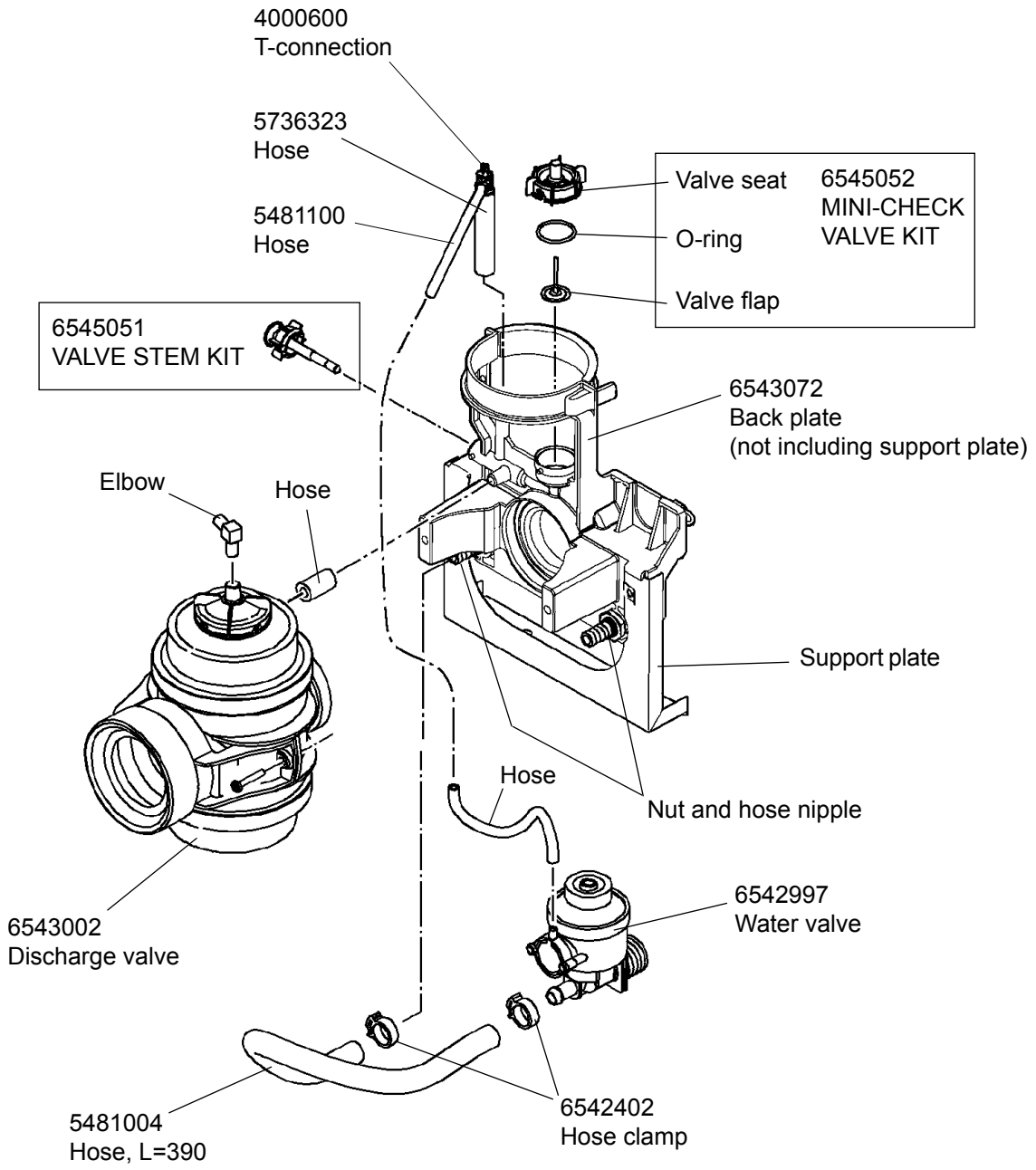
VACUUM TOILET

6542983 BACK PLATE, EVAC 910, FLOOR MODELS
 6542984 BACK PLATE, EVAC 910, FLOOR MODELS USPH



VACUUM TOILET

6545300 BACK PLATE, EVAC 910, FLOOR MODEL USPH WITH AUTOFLUSH UNIT

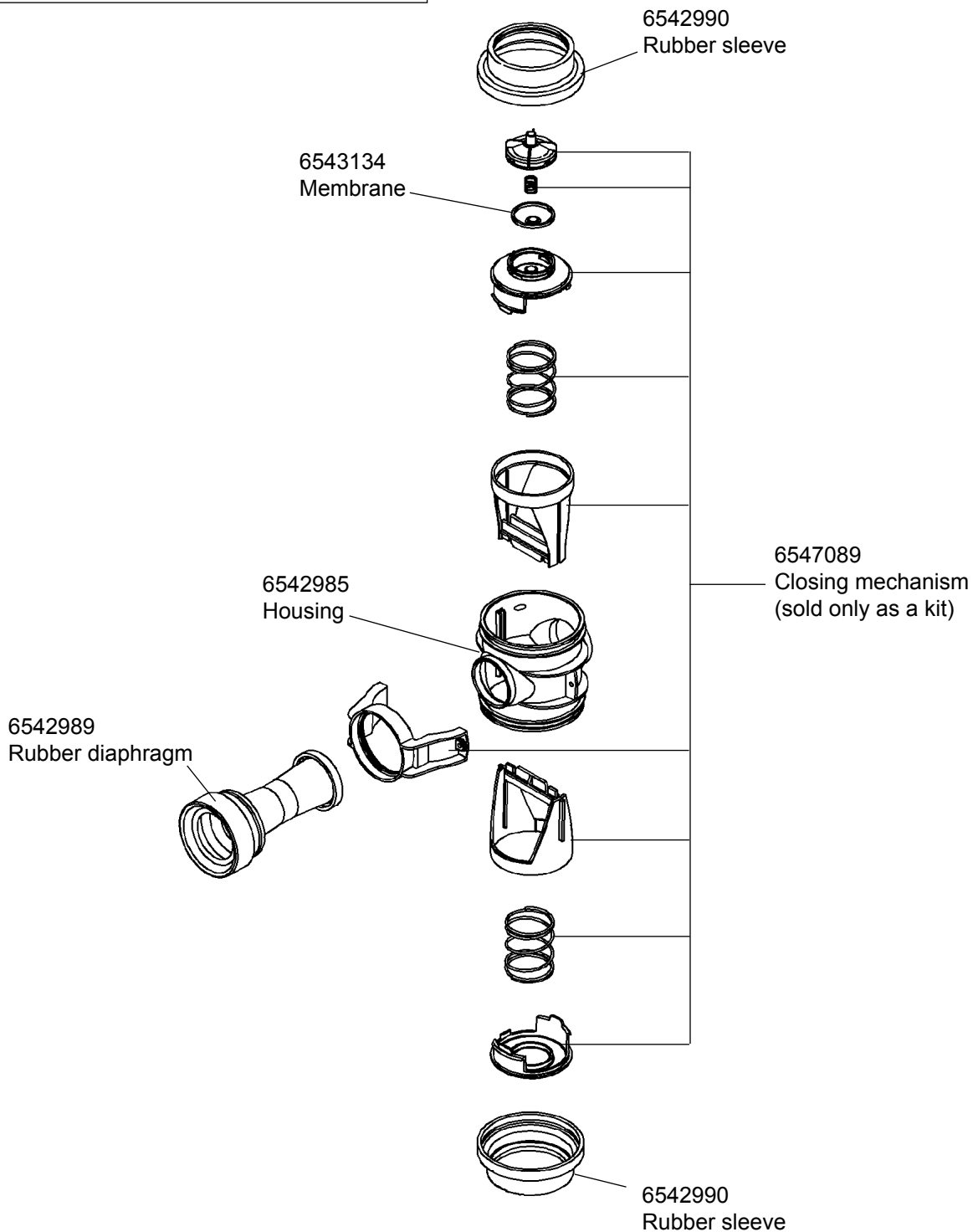


VACUUM TOILET

6543002 DISCHARGE VALVE

6545041 RECOMMENDED SPARE PART KIT:

- 1 x 6542989 Rubber diaphragm
- 2 x 6542990 Rubber sleeve
- 1 x 6543134 Membrane

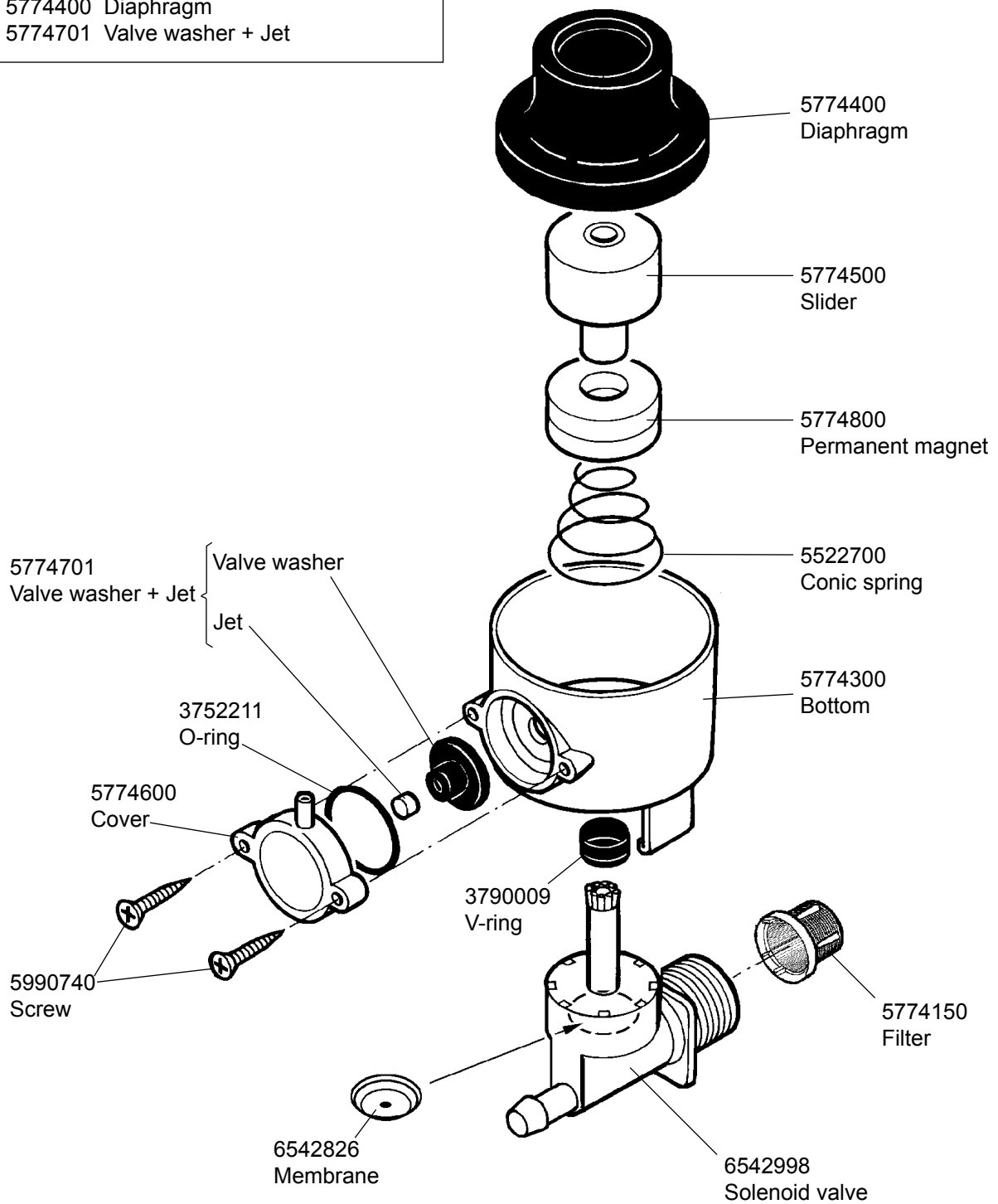


VACUUM TOILET

6542997 WATER VALVE

6543030 RECOMMENDED SPARE PART KIT:

- 1 x 3790009 V-ring
- 1 x 5774150 Filter
- 1 x 5774400 Diaphragm
- 1 x 5774701 Valve washer + Jet



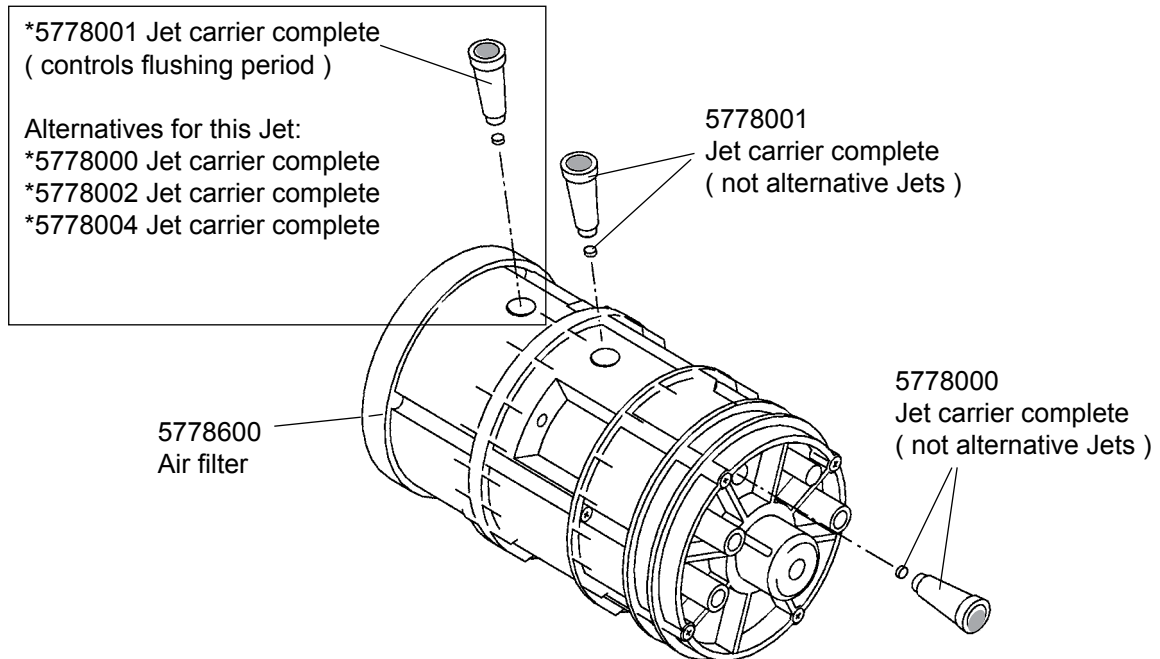
VACUUM TOILET

5775500 CONTROL MECHANISM

5881000 SPARE PART KIT FOR CONTROL MECHANISM (EVAC 90 AND 900 MODEL TOILETS)

6546688 SPARE PART KIT FOR CONTROL MECHANISM (EVAC 910 AND 912 MODEL TOILETS, TOILET WITH AUTOFLUSH UNIT, STAINLESS STEEL TOILET, SQUATTING TOILET)

P/N 5775500 Control mechanism



* Jet carrier identification:

P/N	Colour	Size	Effect
5778004	Yellow	0.20	Extra long flushing period
5778000	White	0.30	Long flushing period
5778001	Blue	0.40	Normal flushing period
5778002	Red	0.50	Short flushing period

! NOTE: See also the operation and maintenance documents:

Doc. 3:111E, Control mechanism (Evac 90 and 900 model toilets)

Doc. 002032-3, Control mechanism (Evac 910 model toilets)

Doc. 002474-2, Control mechanism (Evac 910 Stainless steel toilets)

Doc. 3:01103C, Control mechanism (Evac 910, Squatting toilet)

P/N 5881000 Spare part kit (Evac 90 and 900 model toilets)

P/N	Description	Pcs
5778600	Air filter	1
5778001	Jet carrier complete	2
5778000	Jet carrier complete	1
5778700	Filter	1
5959902	Mini-check valve	1

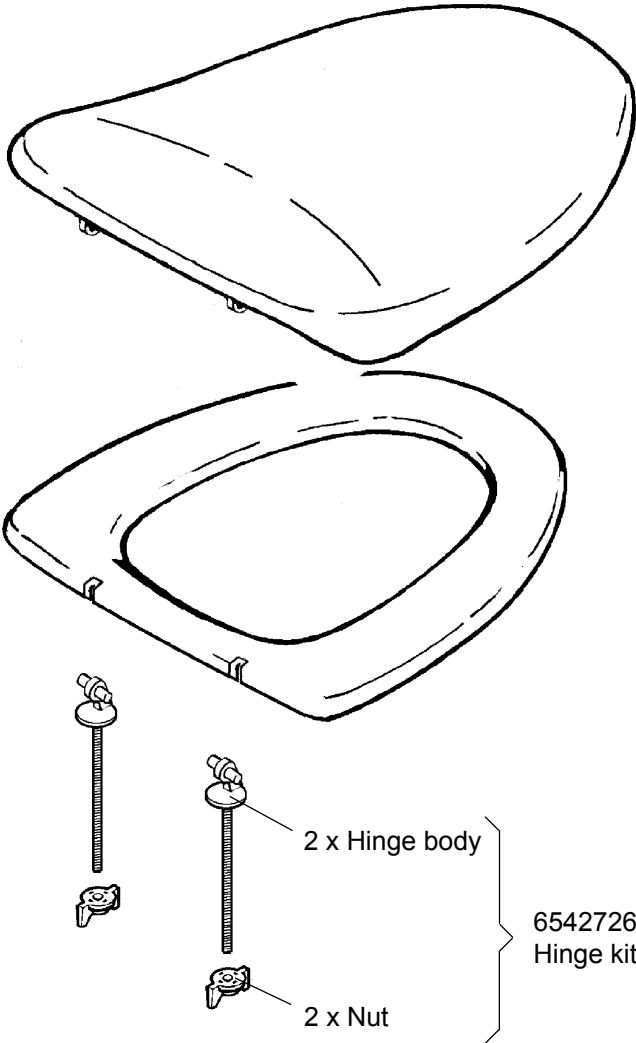
P/N 6546688 Spare part kit

(Evac 910 and 912 model toilets, toilet with Autoflush unit, Stainless steel toilet, Squatting toilet)

P/N	Description	Pcs
5778600	Air filter	1
5778001	Jet carrier complete	2
5778000	Jet carrier complete	1
5778700	Filter	1
6545052	Mini-check valve kit	1

VACUUM TOILET

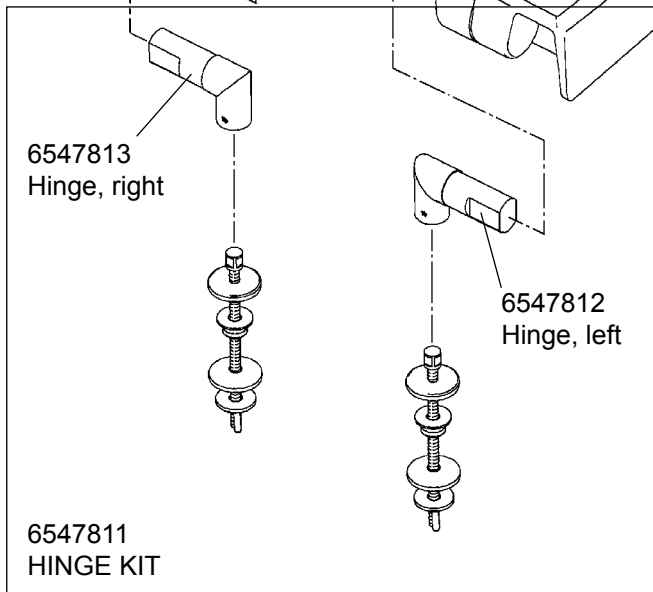
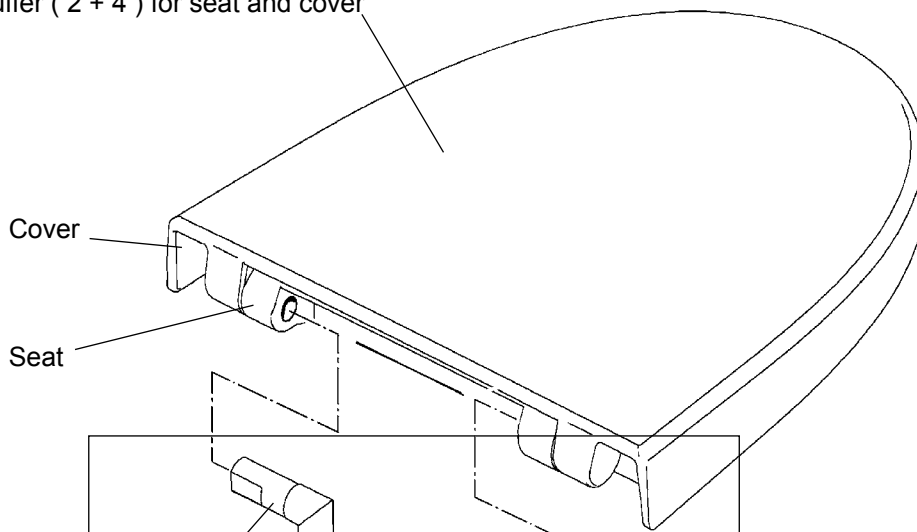
6540973 SEAT AND COVER, MOSAIK FOR EVAC 900 AND 910 WALL MODEL TOILETS



VACUUM TOILET

6546819 PRESTIGE SOFT CLOSING, SEAT AND COVER

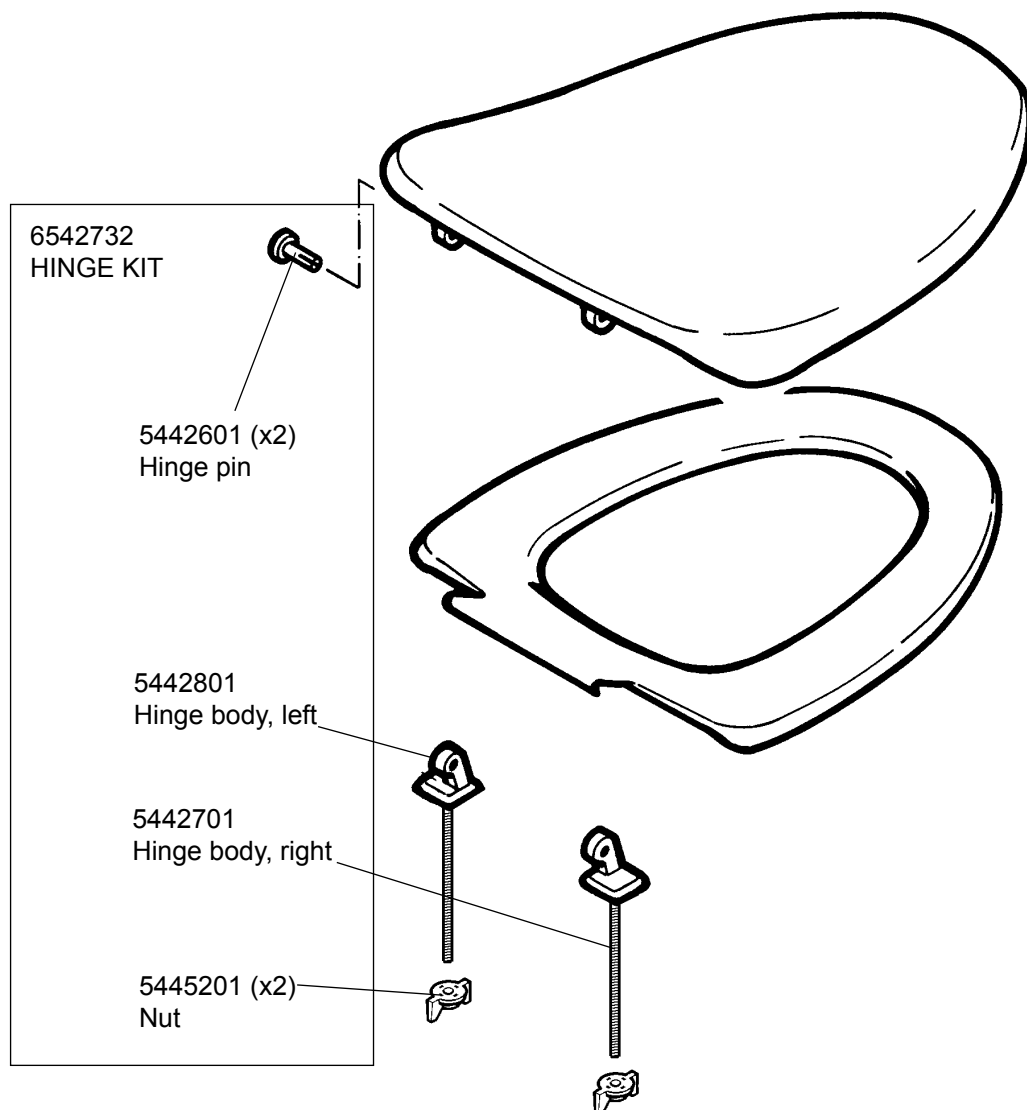
6549843
Buffer (2 + 4) for seat and cover



VACUUM TOILET

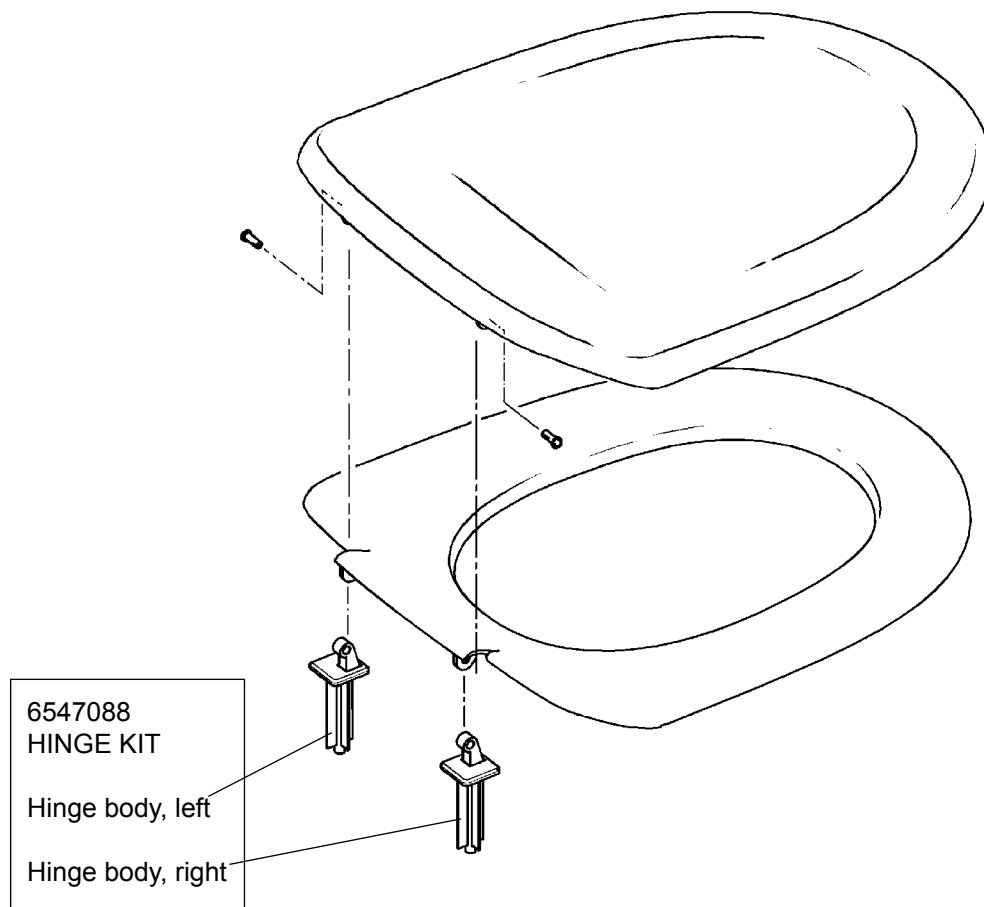
5442101 ANIARA, SEAT AND COVER (not sold as a single item), FOR EVAC 90 WALL AND FLOOR MODEL TOILETS, EVAC 900 AND 910 FLOOR MODEL TOILETS

P/N 5442101 is replaced by P/N 6542432



VACUUM TOILET

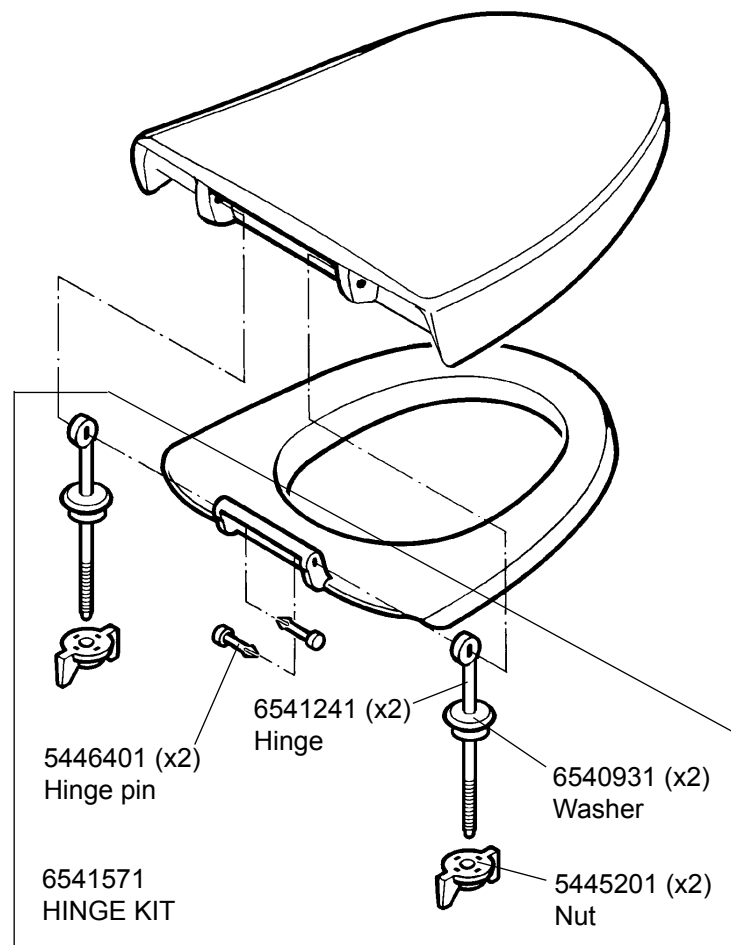
6542432 TREVI, SEAT AND COVER



VACUUM TOILET

6541922 SILENT, SEAT AND COVER (not sold as a single item)
FOR EVAC 90 WALL AND FLOOR MODEL TOILETS, EVAC 900 AND EVAC 910 FLOOR
MODEL TOILETS

P/N 5446101 and P/N 6541922 are replaced by P/N 6551551

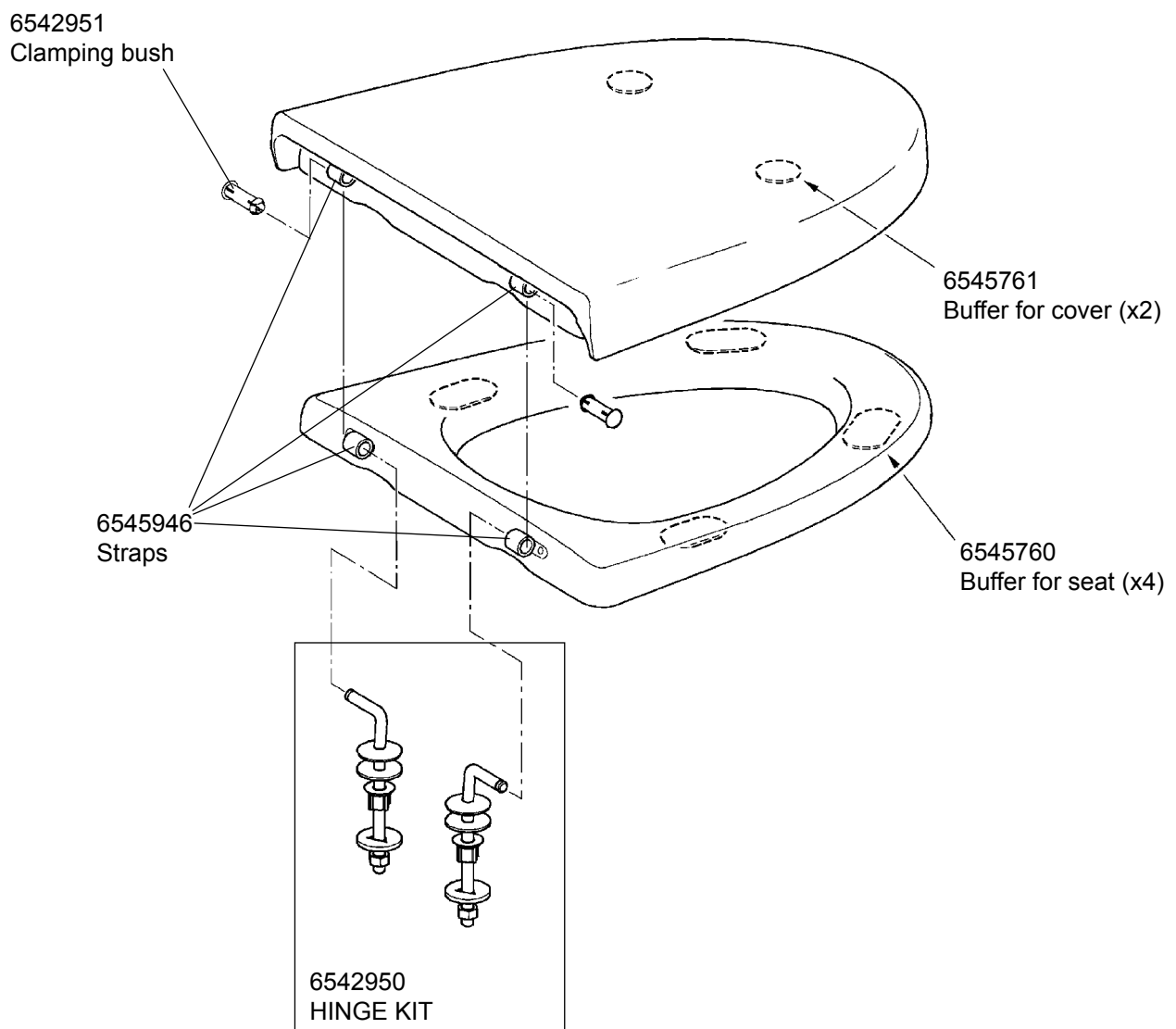


VACUUM TOILET

6542928 PRESTIGE, SEAT AND COVER (not sold as a single item)
FOR EVAC 900 AND 910 WALL MODEL TOILETS

P/N 6542928 is replaced by P/N 6546818

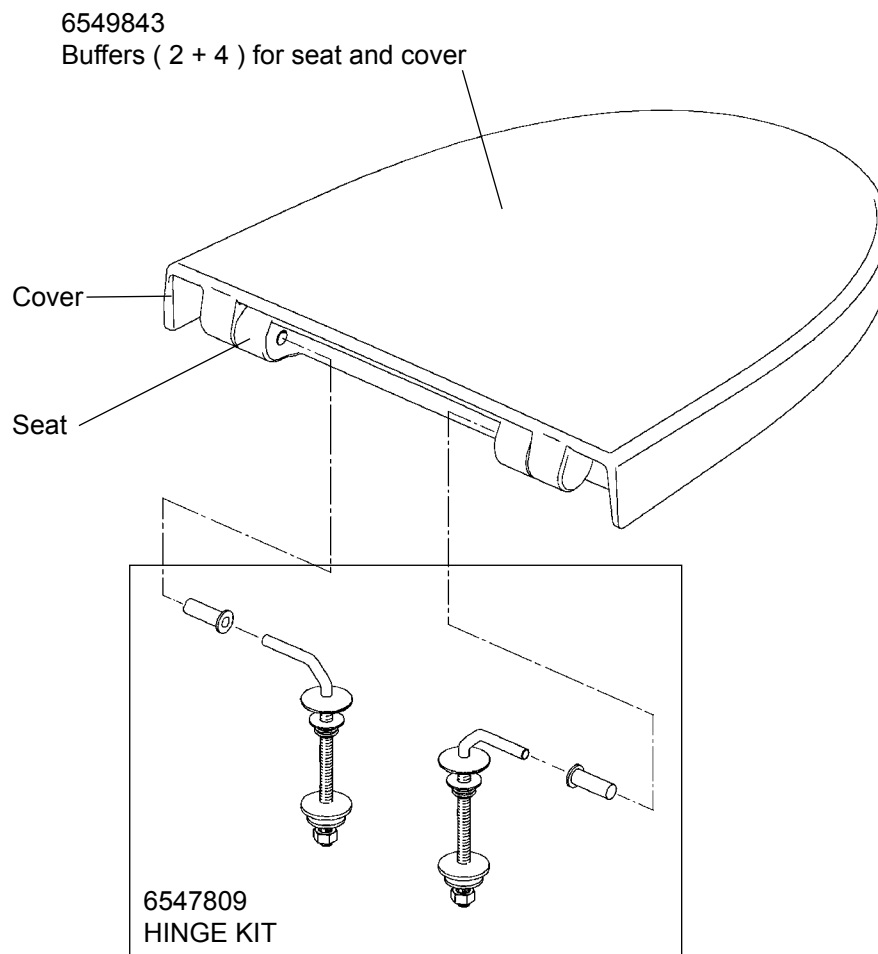
Prestige seat and cover fulfills ANSI Z124.5 - 1997 [Plastic Toilet (Water closet) Seats] requirements.



VACUUM TOILET

6546818 PRESTIGE, SEAT AND COVER

Prestige seat and cover fulfills ANSI Z124.5 - 1997 (Plastic Toilet Seats (Water closet)) requirements.

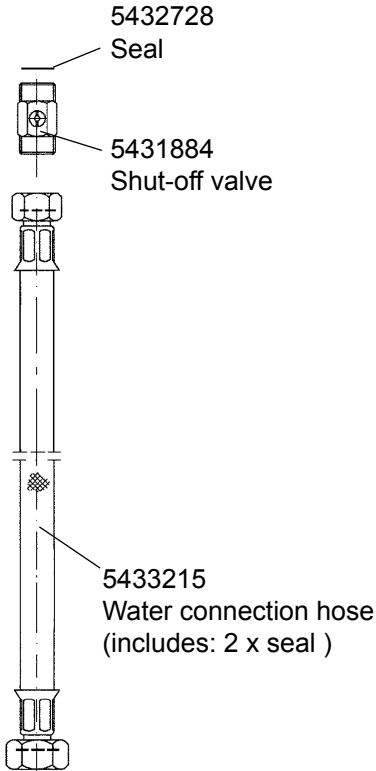
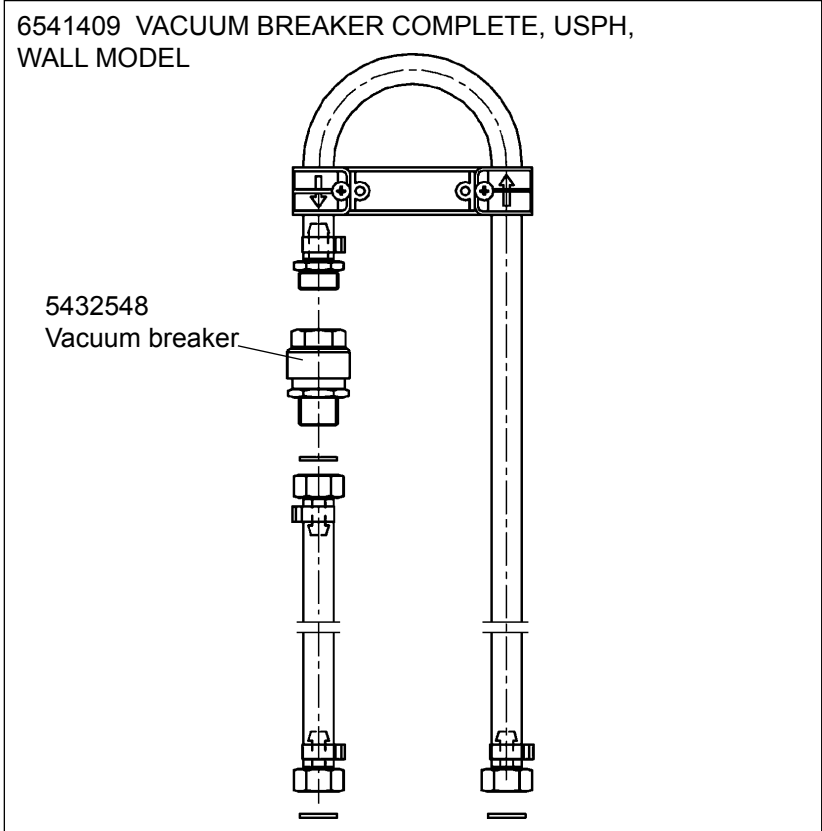


VACUUM TOILET

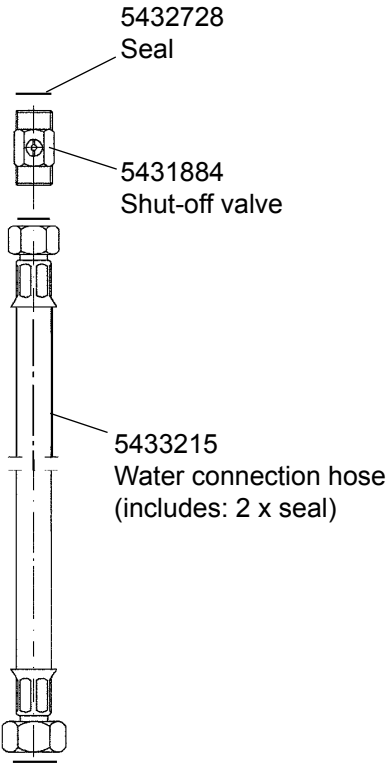
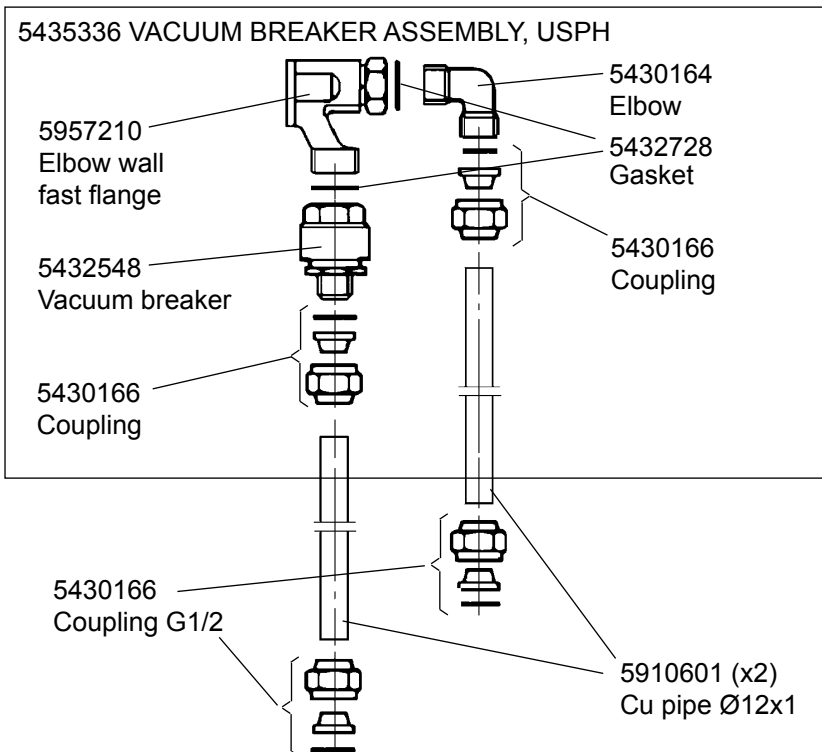
6541772 WATER SUPPLY KIT, USPH, FOR EVAC 900 AND EVAC 910 TOILETS, WALL MODELS

5980802 WATER SUPPLY KIT, USPH, FOR EVAC 90, 900, AND EVAC 910 TOILETS, FLOOR MODELS

P/N 6541772 Water supply kit, USPH



P/N 5980802 Water supply kit, USPH



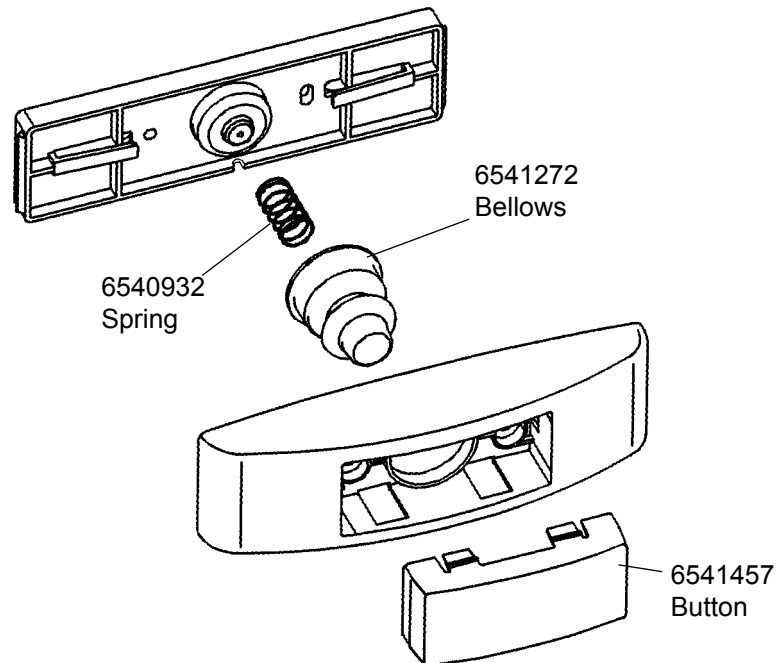
VACUUM TOILET

6541458 PNEUMATIC PUSH BUTTON (EVAC 900, 910 AND 912 WALL MODEL TOILETS)

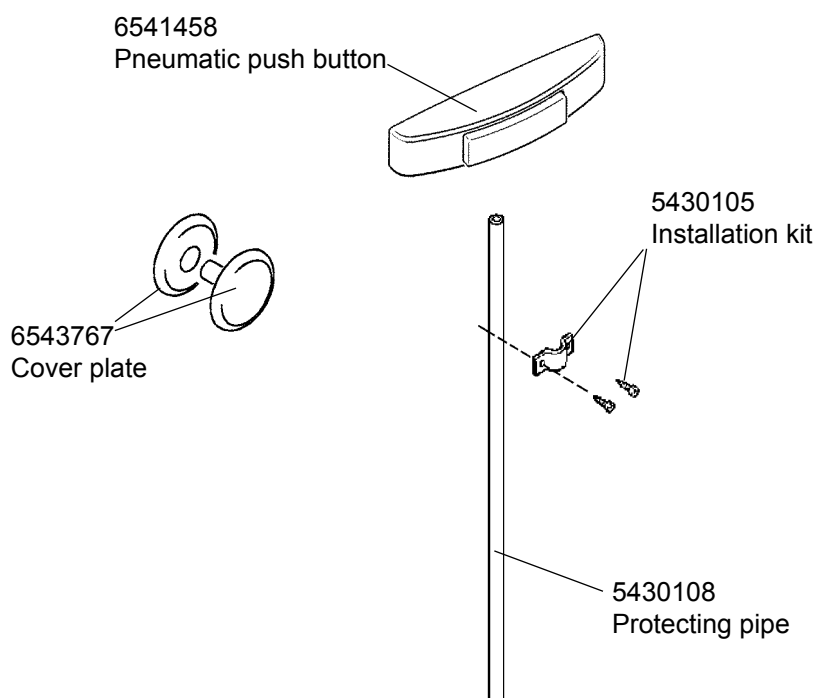
6541057 OPTIONAL PNEUMATIC PUSH BUTTON KIT (EVAC 900 AND 910 FLOOR MODEL TOILETS)

P/N 6541458 Pneumatic push button

P/N 6540917 is replaced by P/N 6541458

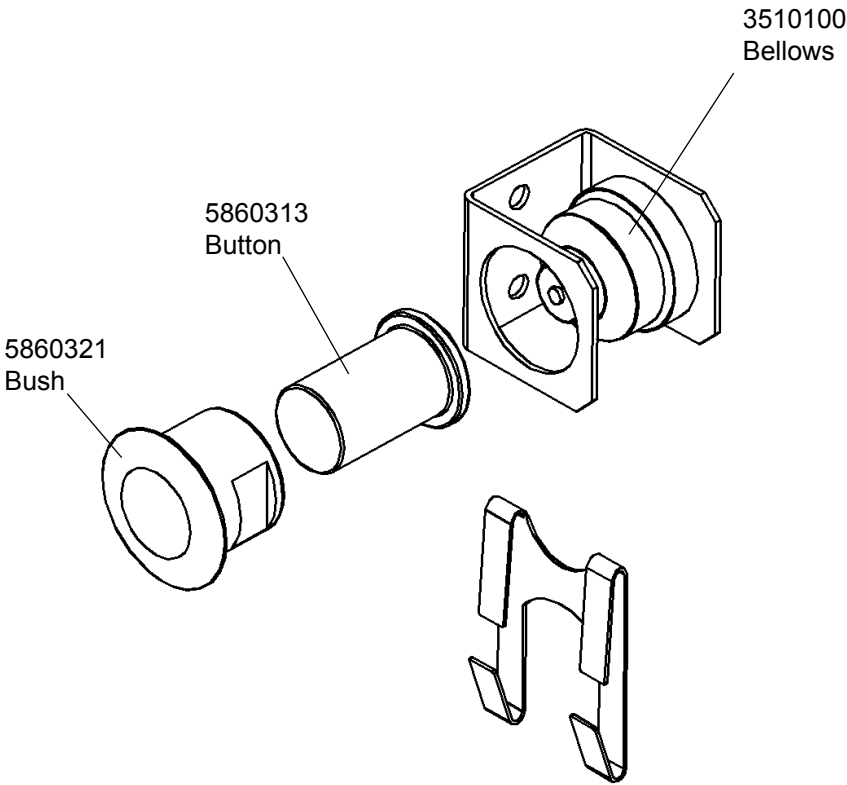


P/N 6541057 Optional pneumatic push button kit



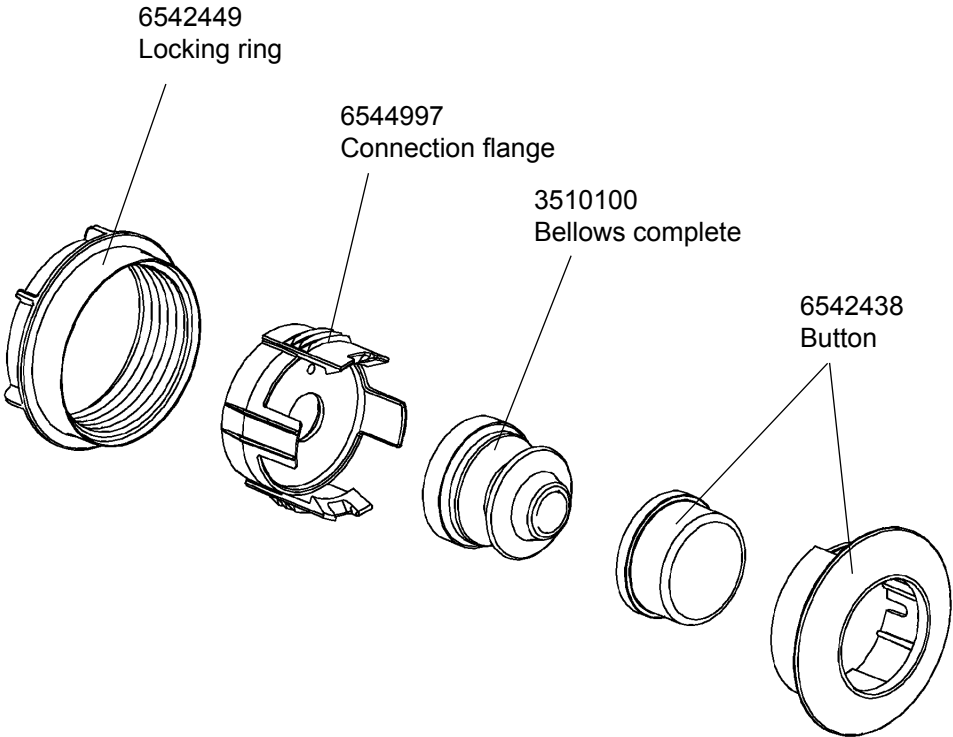
VACUUM TOILET

5860303 PNEUMATIC PUSH BUTTON FOR EVAC 90, EVAC 900 AND EVAC 910 FLOOR MODELS



VACUUM TOILET

654496 PNEUMATIC PUSH BUTTON FOR EVAC 910 FLOOR MODELS





EVAC 910 TYPE TOILETS

REPLACING PRODUCTS

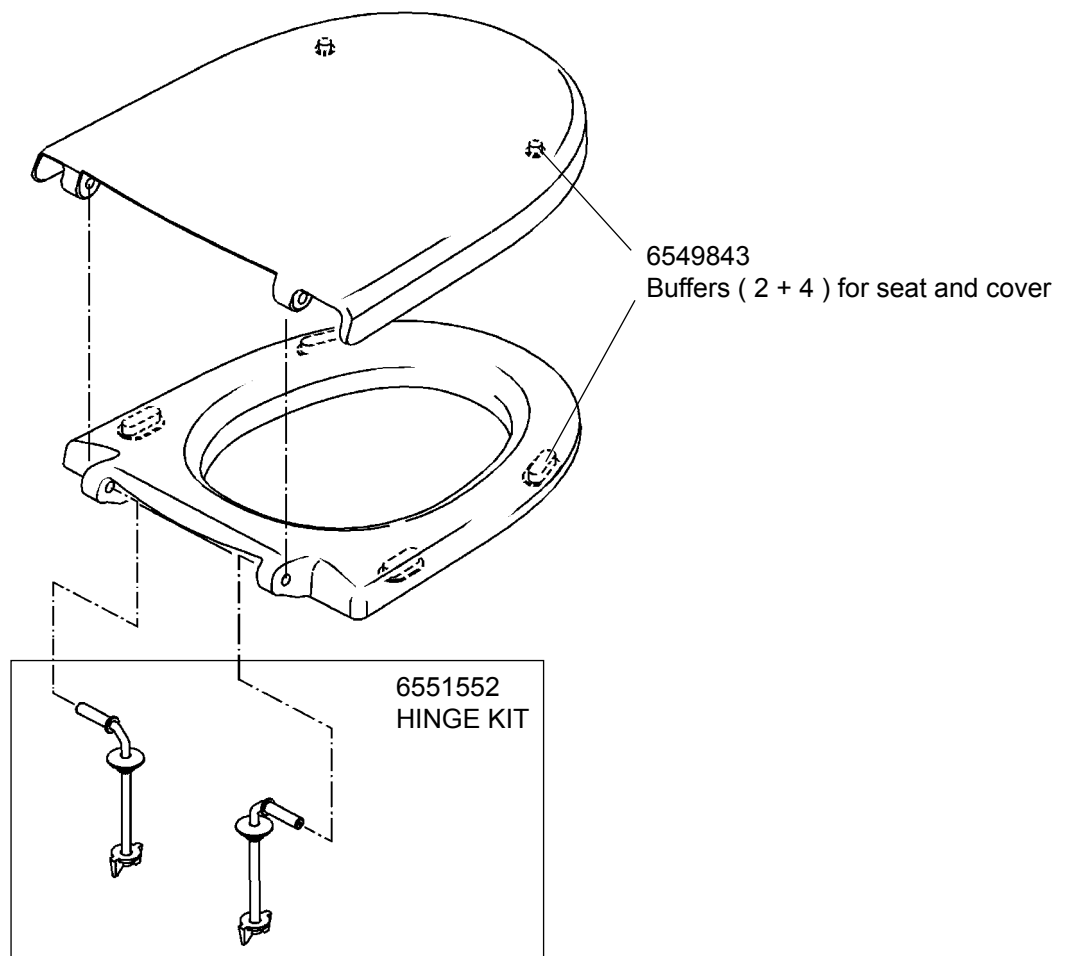
Please, identify your “old” product number and choose the replacing product.

Old products			Replacing products		
Name	P/N		P/N	Name	Link to document
Silent, seat and cover (Evaclnhush)	6541922	▶	6551551	Evac Star, seat and cover	002976-3

VACUUM TOILET

6551551 EVAC STAR, SEAT AND COVER

P/N 6541922 is replaced by P/N 6551551





EVAC 910 TYPE TOILETS

[Recommended products](#)

P/N 654538 AUTOFLUSH UNIT

(FOR EVAC 90, 900 AND 910 TOILETS WITH WALL BUSH BUTTON)
(NOT FOR EVAC 90 STAINLESS STEEL TOILETS AND SQUATTING TOILET)

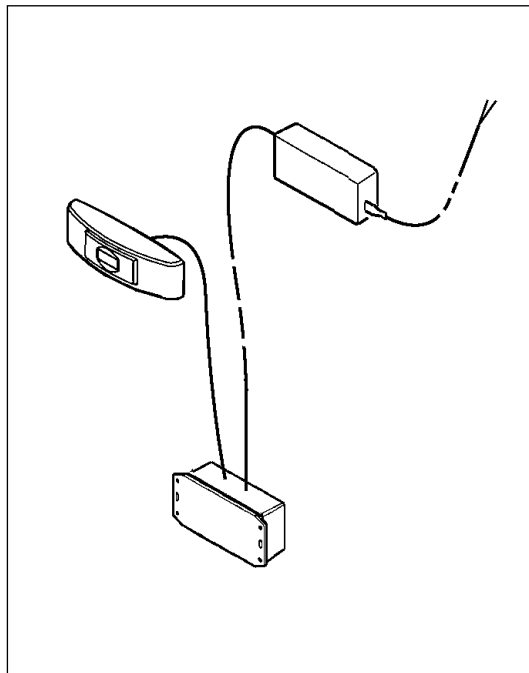
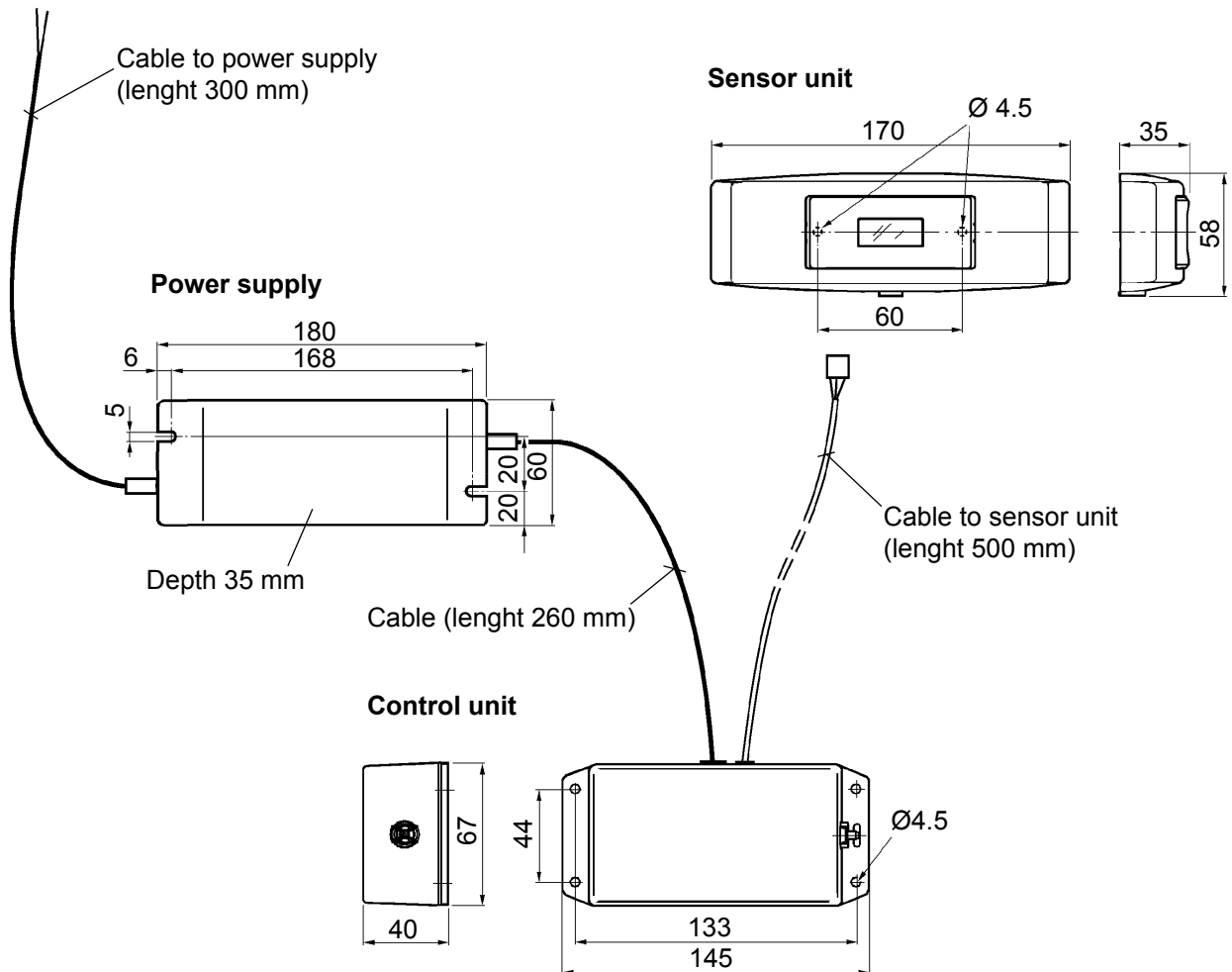


Table of contents

Technical data	Doc. no. 002214-4
Installation	Doc. no. 002353-3
Spare parts	Doc. no. 002354-2

VACUUM TOILET

6545538 AUTOFLUSH UNIT


Materials Control unit; bellows: rubber, cover and bottom of control box: ABS
 Sensor; cover: ABS white, bottom plate: POM natural
 Box of power supply: plastic

Operating data Sensor type: Infra red
 Sensor distance: 600 mm (set); 100 ... 700 (adjustable)
 Sensor activation: delay 5 sec. (set); 0 ... 10 sec. (adjustable)
 Flushing timing: 2.5 sec. (set); 0 ... 10 sec. (adjustable)
 Flushing activation delay: < 2 sec.
 Power consumption: Stand-by 0.7 W, operating 45 W
 Operating temperature: 0 ... +60°C
 Operating voltage: 24V DC 30 mA
 Protection class; Control unit: IP44, Power supply: IP64

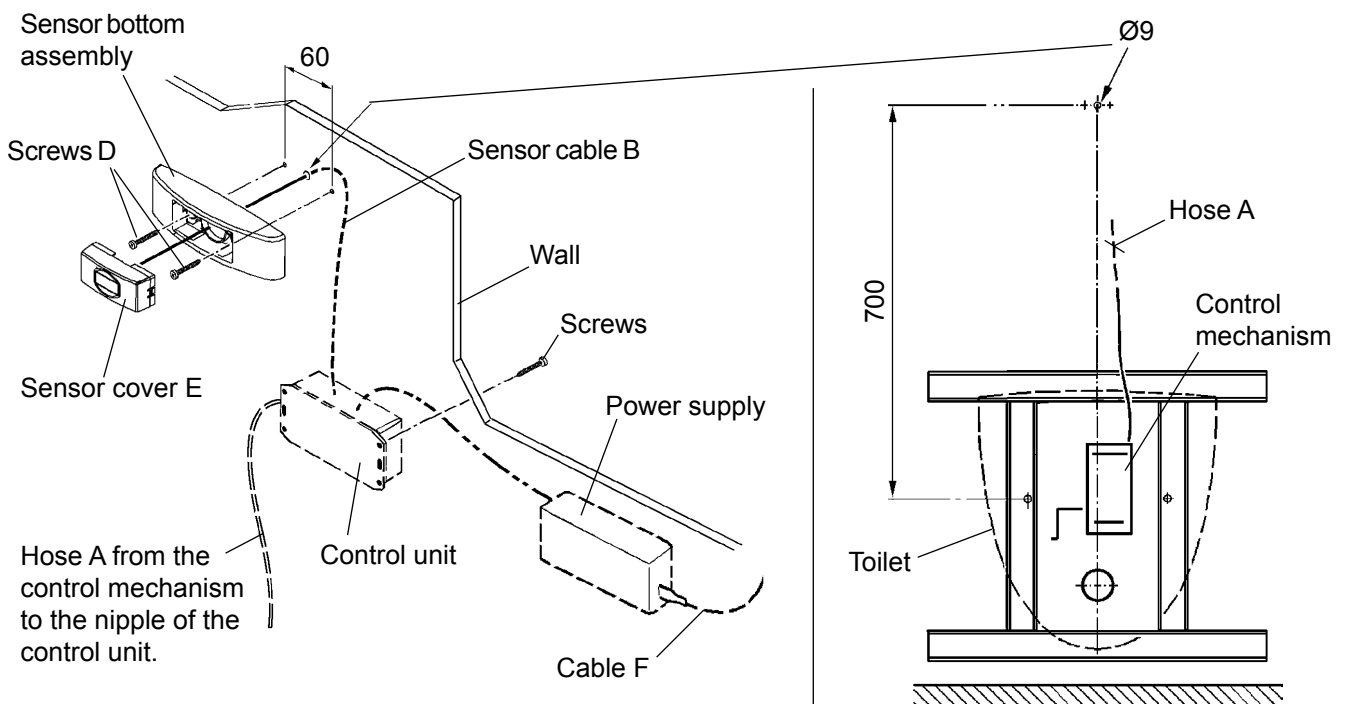
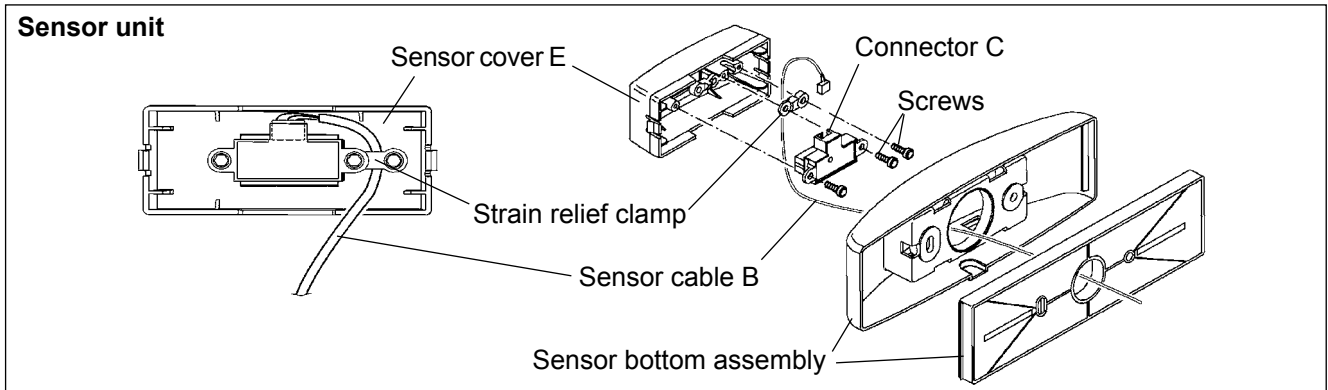
Connections: Power supply: 100-240 V ~ 1.5-0.7 A, 50/60 Hz

Shipping data: Net weight: 0.83 kg

Other Installation screws are not included in delivery

VACUUM TOILET

6545538 AUTOFLUSH UNIT



- Remove the hose (A) from the old push button. Remove the old push button from the wall.
- Drill the hole $\varnothing 9$ for the sensor cable (B).
- Loosen the sensor cover (E) from the sensor bottom assembly.
- Loosen the sensor cable (B) from the connector (C).
- Install the sensor bottom assembly with the screws (D) on the wall.
- Thread the sensor cable (B) through the hole of the sensor bottom and the wall.
- Connect the sensor cable (B) to the connector (C).
- Put the sensor cable (B) under the strain relief clamp and tighten with the screws.
- Snap on the cover (E).
- Install the control unit and the power supply (optional places, note the length (1m) of the hose (A) and the cable (B)) with the screws (not included) on the wall.
- Install the hose (A) from the control mechanism to the nipple of the control unit. Warm the end of the hose if needed to help installation. **! NOTE:** Secure the hose (A) is not flattened during installation. The air impulse must be always flow free.
- Connect the cable (F) to the power supply.

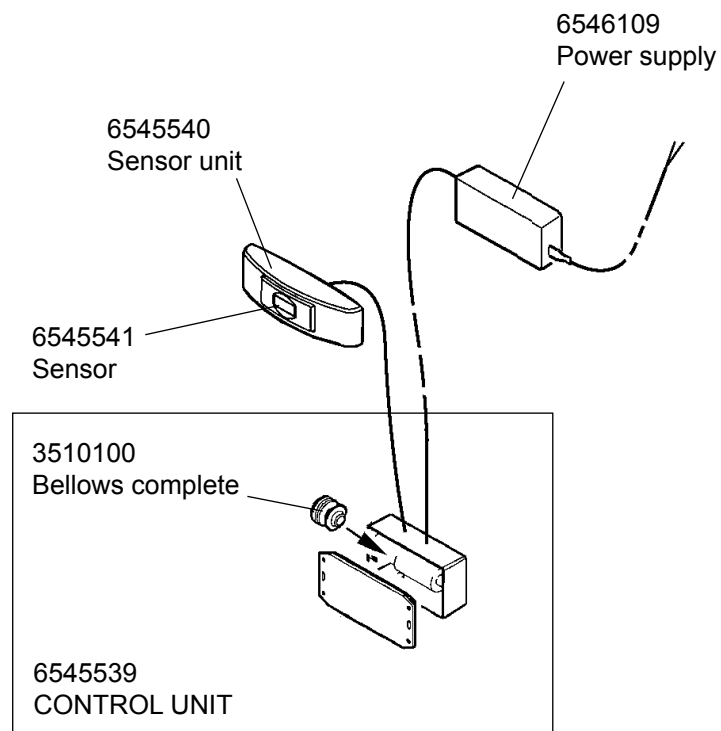
! Note: Installation screws are not included in delivery.

VACUUM TOILET

6545538 AUTOFLUSH UNIT

! NOTE:

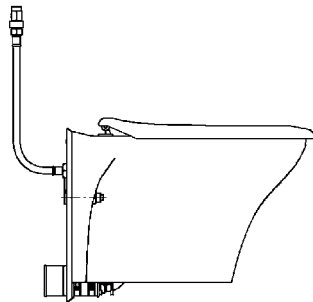
For Evac 90, 900 and 910 toilets with wall push button, not for Evac 90 Stainless steel toilets and Squatting toilet



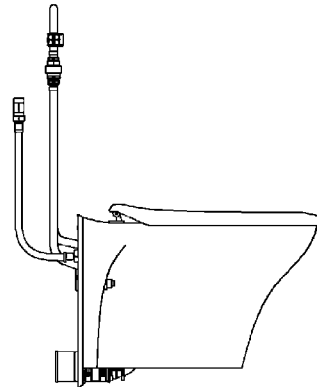
EVAC CLASSIC TOILETS

WALL MODELS

Wall model

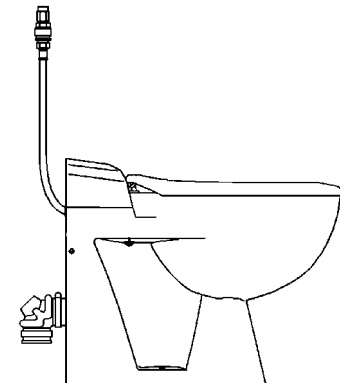


Wall model USPH

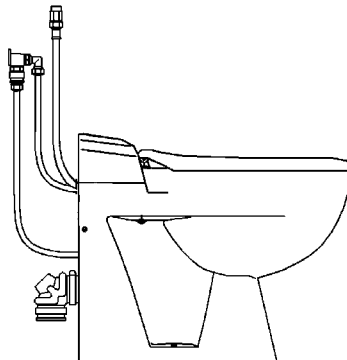


FLOOR MODELS

Floor model



Floor model USPH



[Spare parts](#)

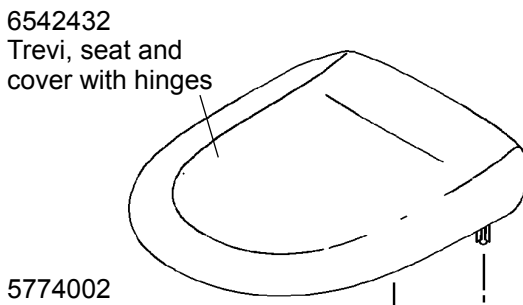
[Replacing products](#)

VACUUM TOILET

- 6542423 EVAC CLASSIC TOILET, WALL MODEL (not sold as a single item)
- 6542463 EVAC CLASSIC TOILET, WALL MODEL USPH (not sold as a single item)
- 6543766 WALL PUSH BUTTON KIT (OPTIONAL)

P/N 6542423 is replaced by P/N 6544286
 P/N 6542463 is replaced by P/N 6544287

See recommended spare part kit in spare part document:
 Doc. no 6:01022E

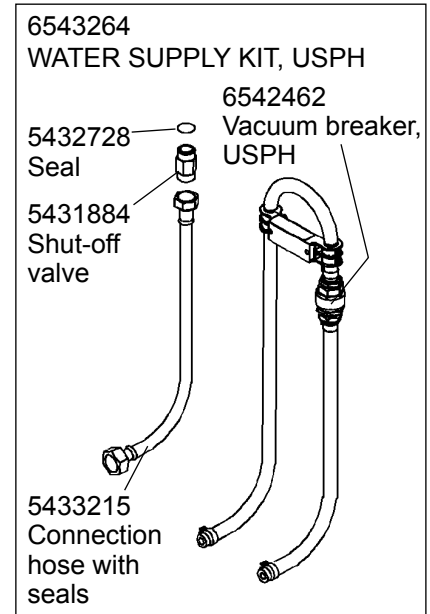
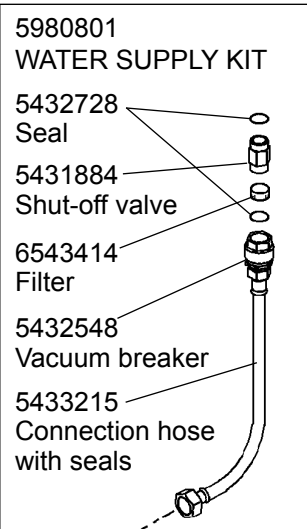
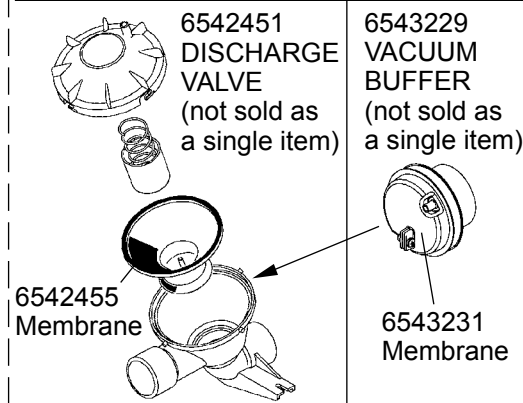


5774002 Water valve (document 6:01022E)

6542428 Flushing nozzle
 6542424 Bowl

6542451 Discharge valve
 5959902 Mini-check valve
 5433594 Hose clamp

5511500 Elbow 5470214* Hose 5433594 Hose clamp



6542430 Hose (not in USPH)

5481150* Hose

6542434 Control mechanism

6543265 INSTALLATION KIT

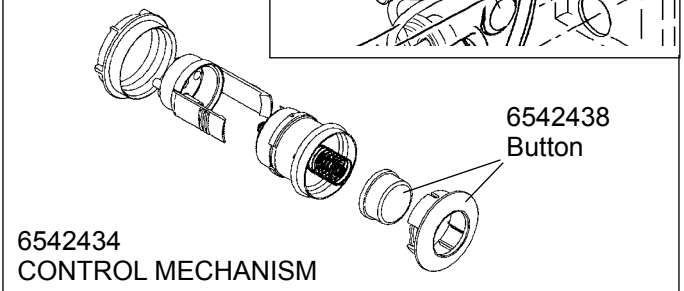
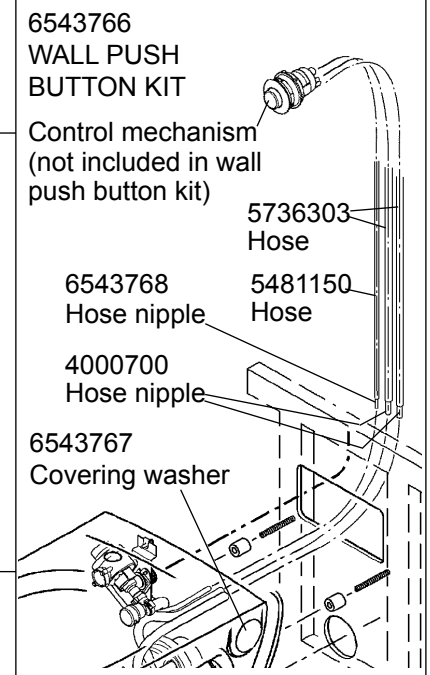
5779098 Guiding nut (x2)

6542503 Edge strip

5990759 Nut

6542457 Sleeve coupling

5433594 Hose clamp



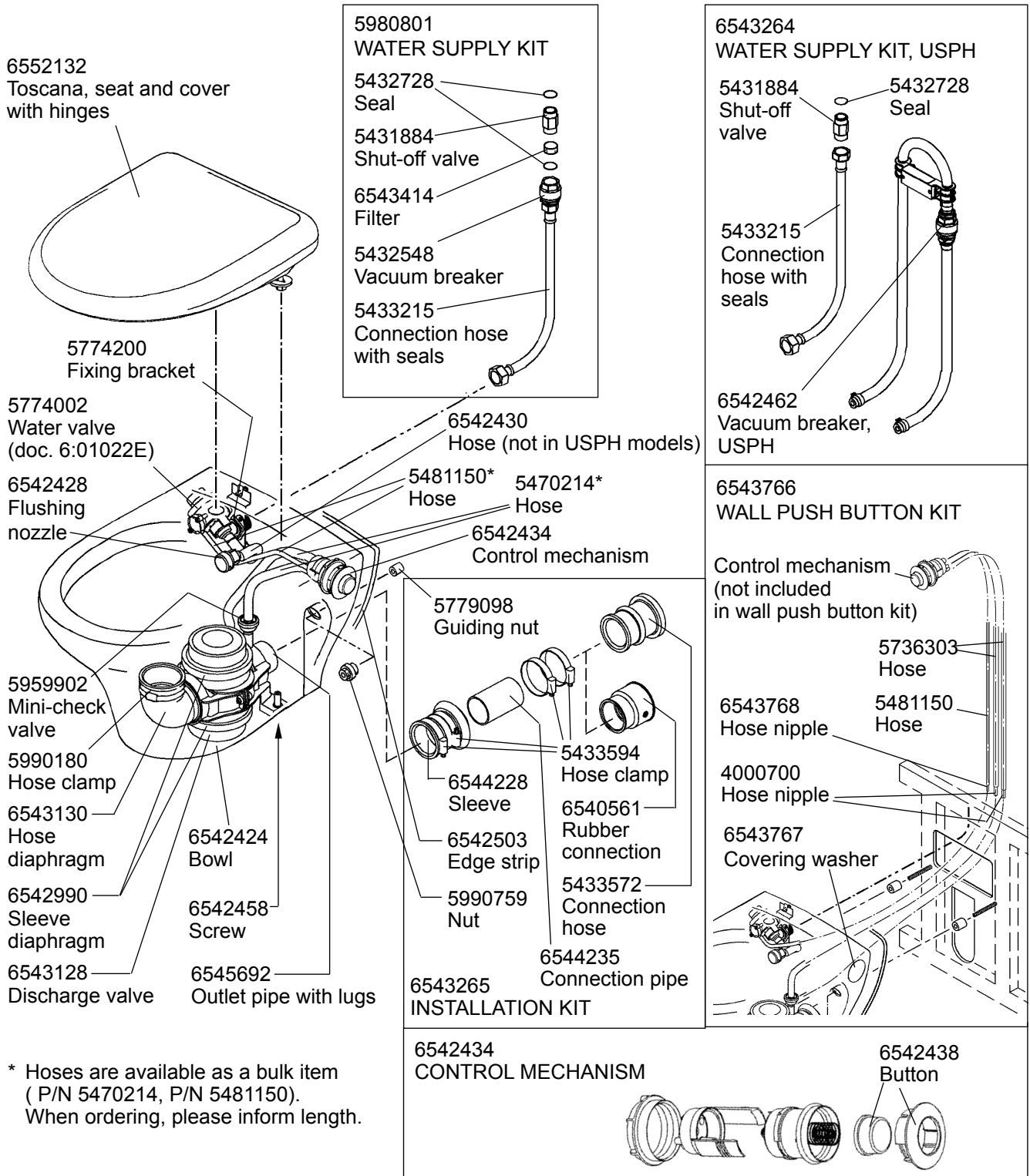
Replaced by P/N 6545044 Retrofit kit
 (Doc. no 002170-2)

* Hoses (P/N 5470214, P/N 5481150) are available as a bulk. When ordering, please inform length.

VACUUM TOILET

- 6551652 EVAC CLASSIC TOILET, WALL MODEL, TOSCANA, (CONTROL MECHANISM ON PORCELAIN)
- 6551653 EVAC CLASSIC TOILET, WALL MODEL USPH, TOSCANA, (CONTROL MECHANISM ON PORCELAIN)
- 6543766 WALL PUSH BUTTON KIT (OPTIONAL)

See recommended spare part kit in spare part document:
Doc no. 6:01022E



* Hoses are available as a bulk item (P/N 5470214, P/N 5481150).
When ordering, please inform length.

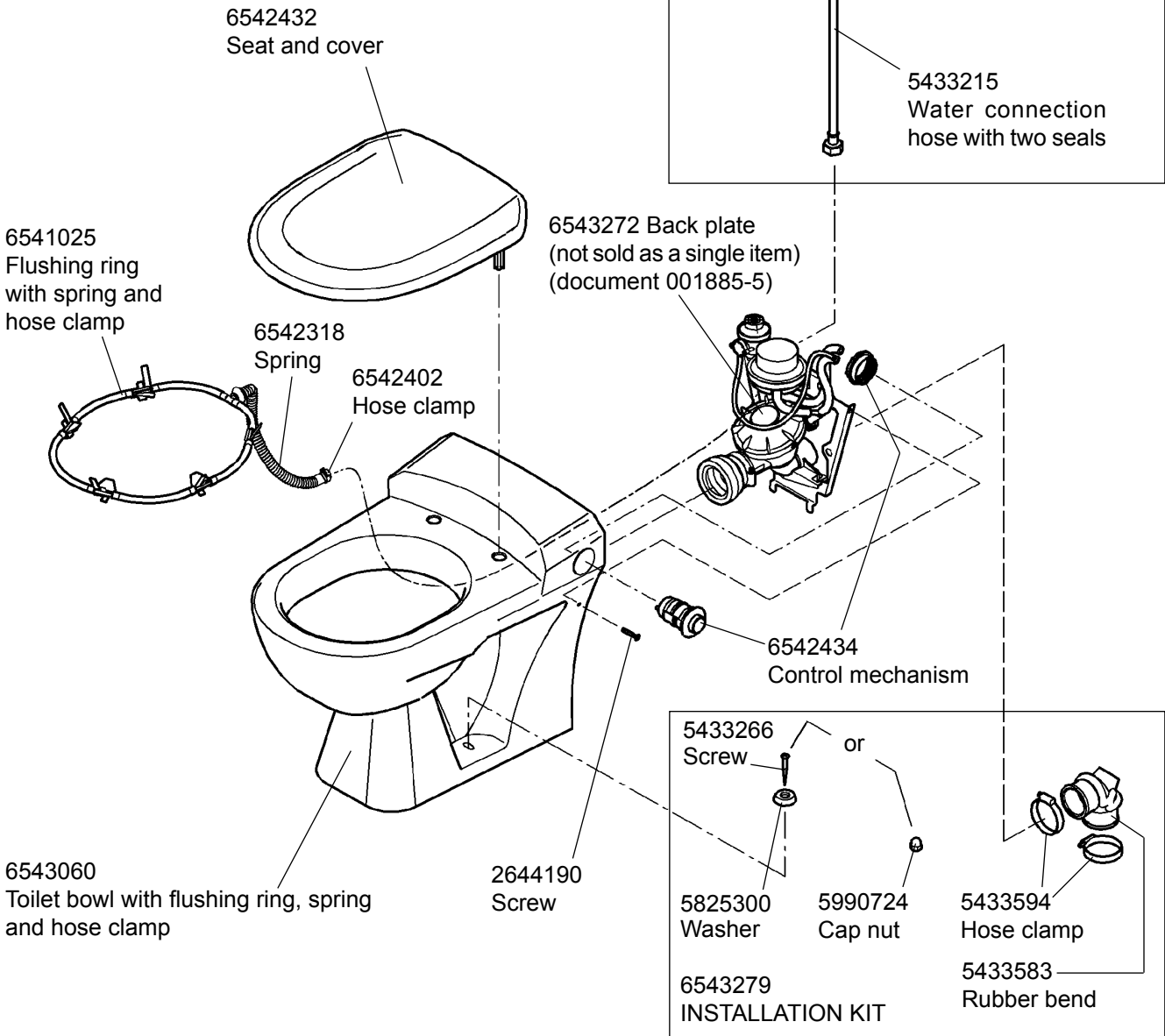
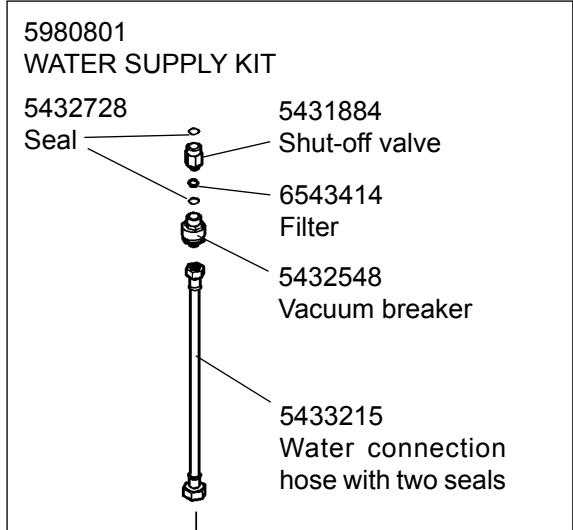
VACUUM TOILET

6543056 EVAC CLASSIC TOILET, FLOOR MODEL, WHITE (not sold as a single item)

P/N 6543056 is replaced by P/N 6545826

P/N 6543272 Back plate with P/N 6542434 Control mechanism are replaced by P/N 6542983 Back plate + P/N 6544996 Push button

See recommended spare part kits in spare part documents:
 Doc no. 001885-5 Back plate
 Doc no. 6:01022E Water valve



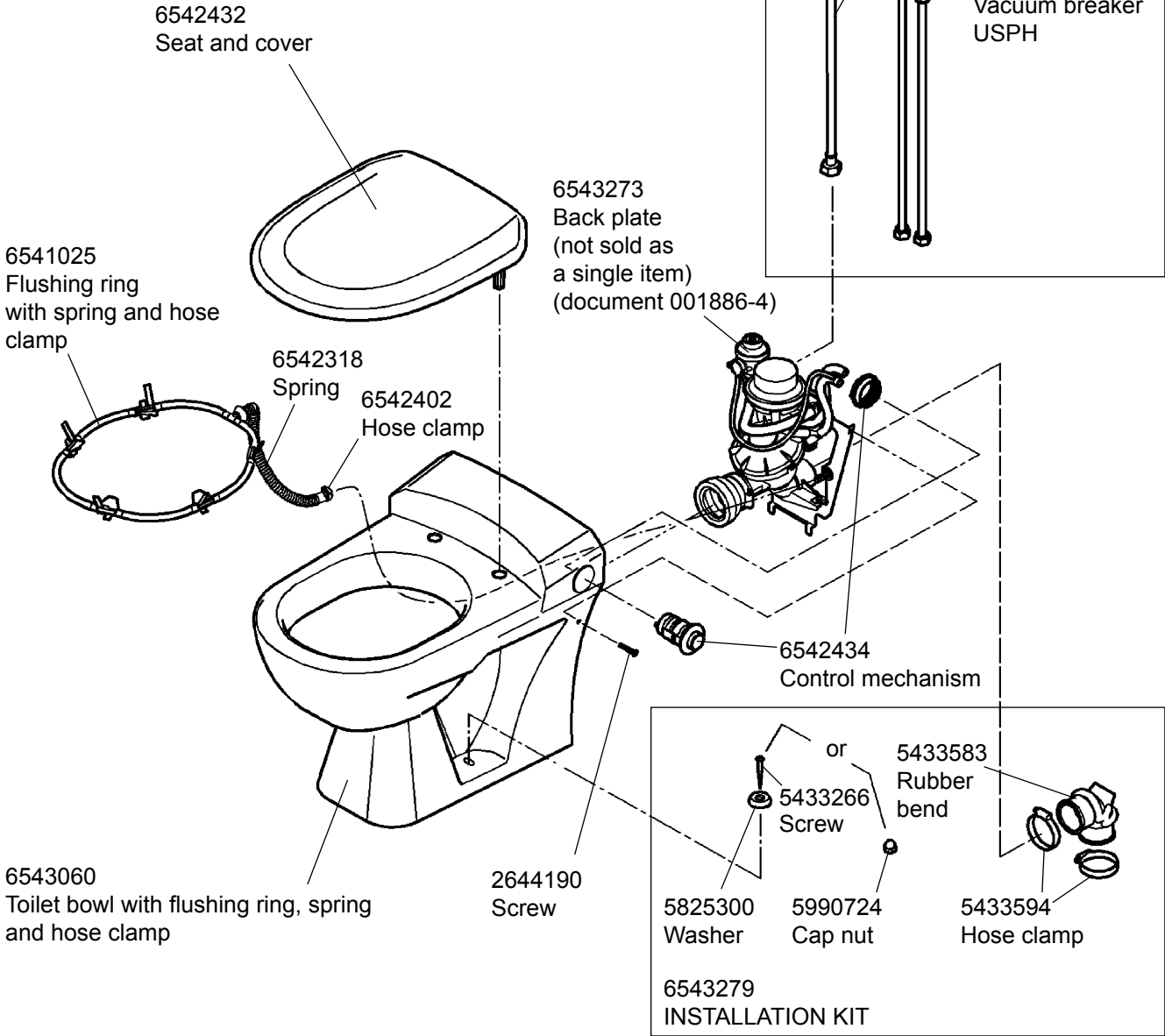
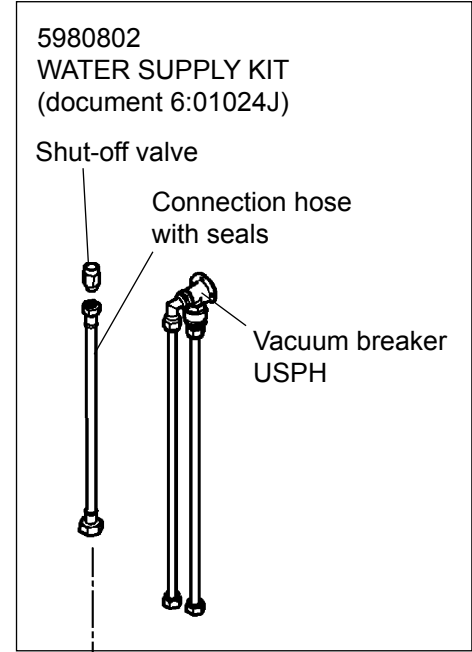
VACUUM TOILET

6543057 EVAC CLASSIC TOILET, FLOOR MODEL USPH, WHITE

P/N 6543057 is replaced by P/N 6545828

P/N 6543273 Back plate with P/N 6542434 Control mechanism are replaced by P/N 6542984 Back plate + 6544996 Push button

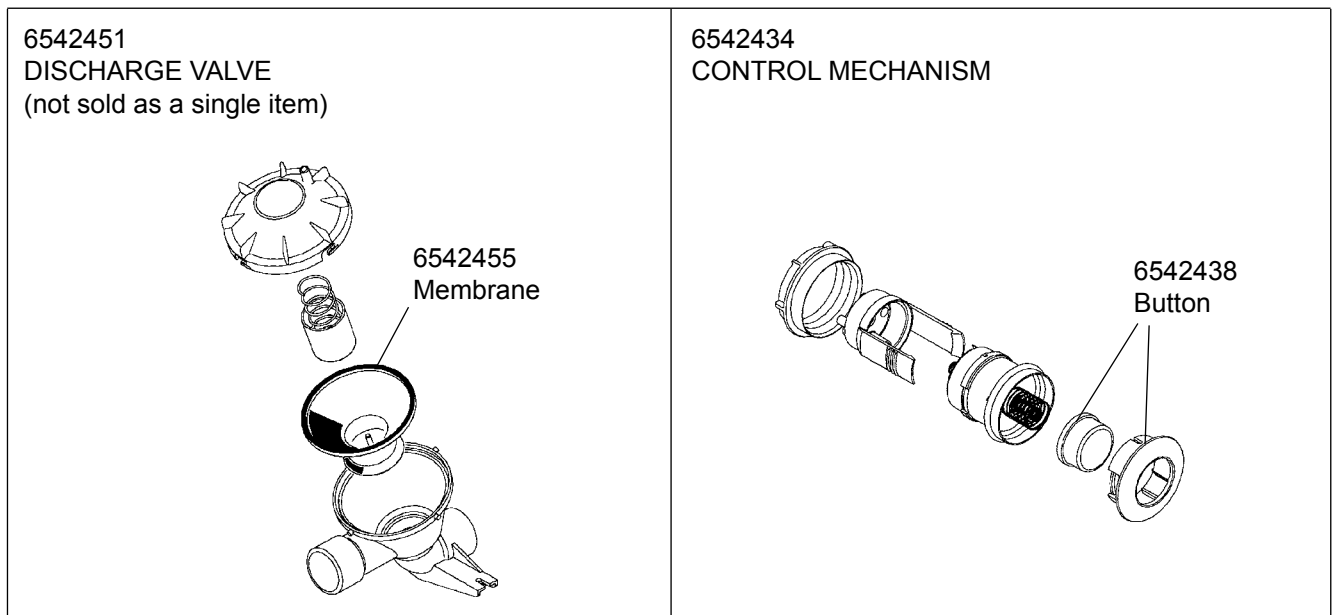
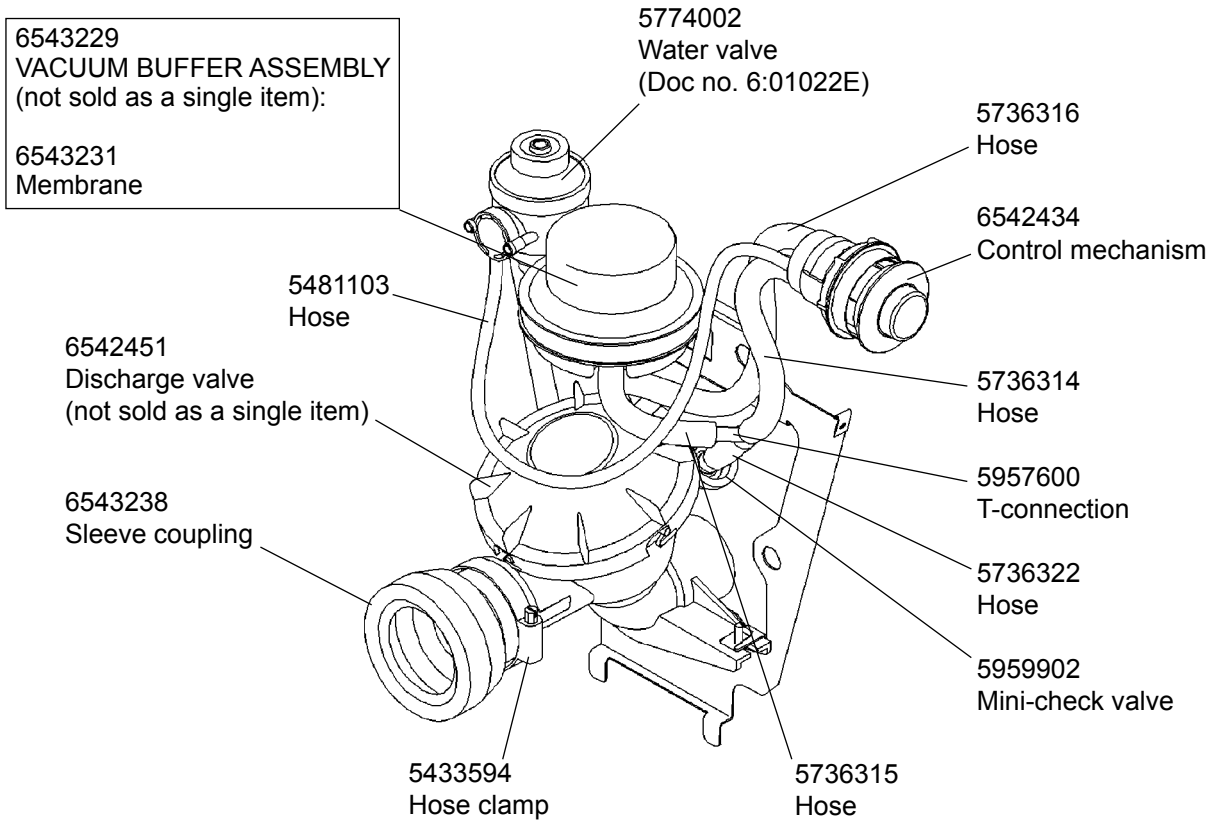
See recommended spare part kits in spare part documents:
 Doc no. 001886-4 Back plate
 Doc no. 6:01022E Water valve



VACUUM TOILET

6543272 BACK PLATE ASSEMBLY, EVAC CLASSIC TOILET, FLOOR MODEL
(not sold as a single item)

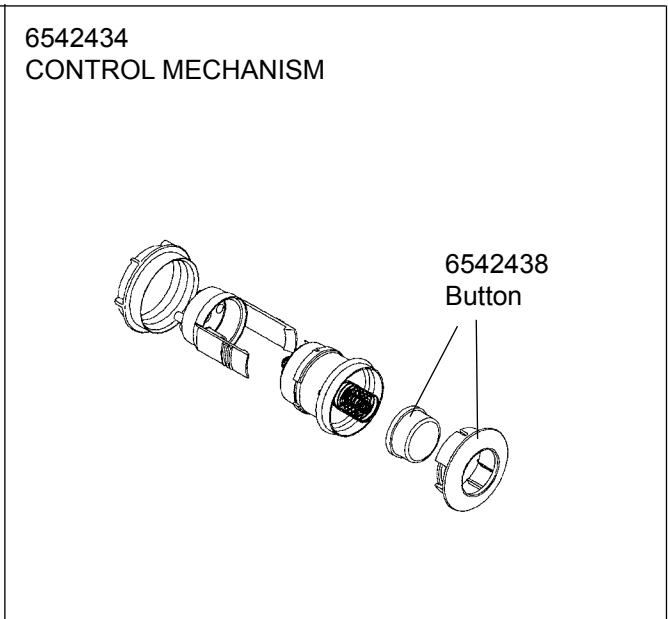
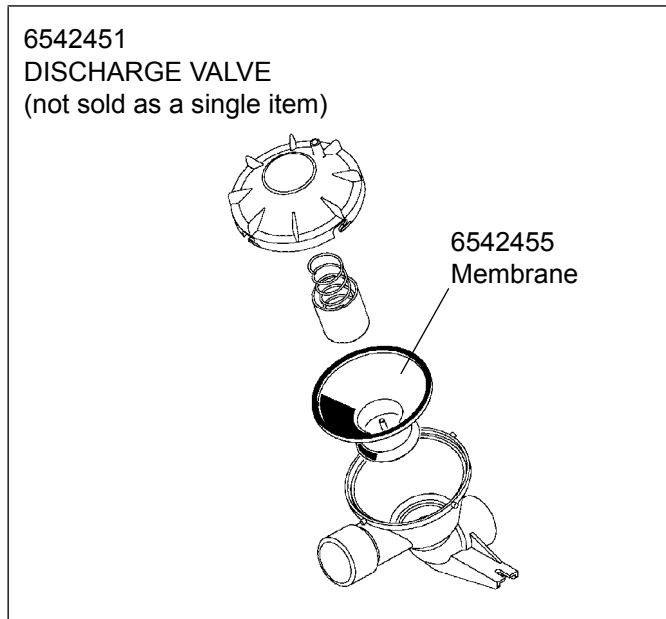
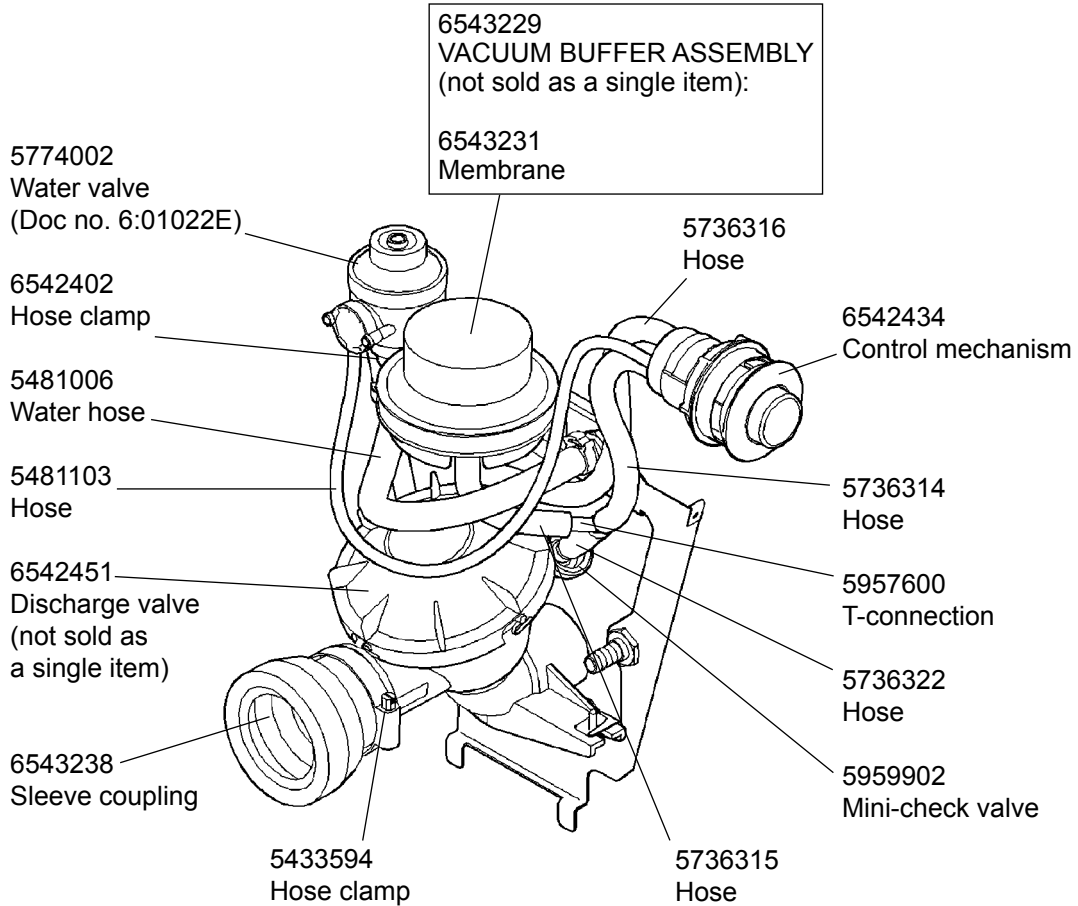
P/N 6543272 Back plate assembly is replaced by P/N 6542983 Back plate + P/N 6544996 Push button
P/N 6542451 Discharge valve is replaced by P/N 6545044 Retrofit kit
P/N 6543229 Vacuum buffer is replaced by P/N 6545044 Retrofit kit



VACUUM TOILET

6543273 BACK PLATE ASSEMBLY, EVAC CLASSIC TOILET, FLOOR MODEL USPH
(not sold as a single item)

P/N 6543273 Back plate assembly is replaced by P/N 6542984 Back plate + P/N 6544996 Push button
P/N 6542451 Discharge valve is replaced by P/N 6545044 Retrofit kit
P/N 6543229 Vacuum buffer assembly is replaced by P/N 6545044 Retrofit kit

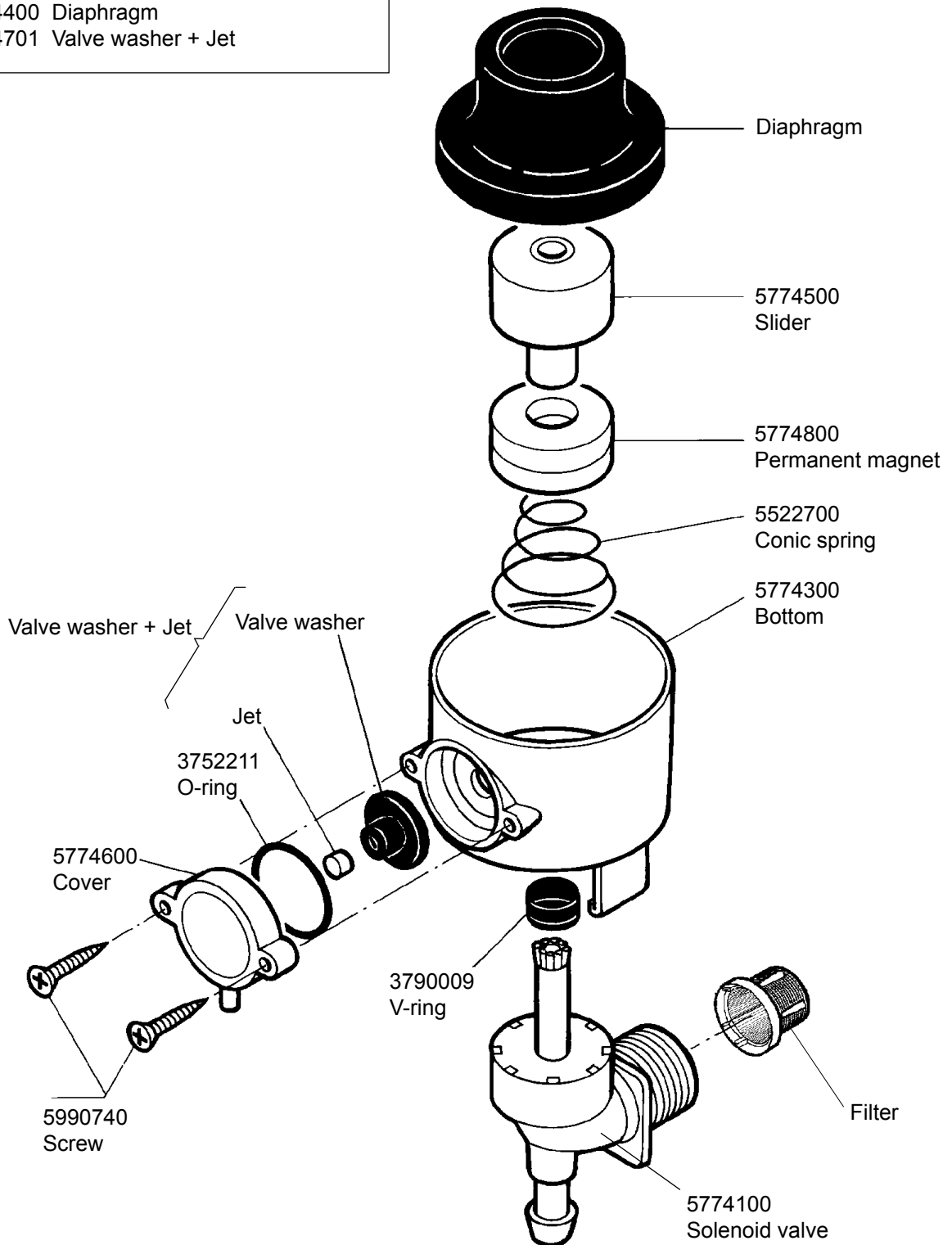


VACUUM TOILET

5774002 WATER VALVE

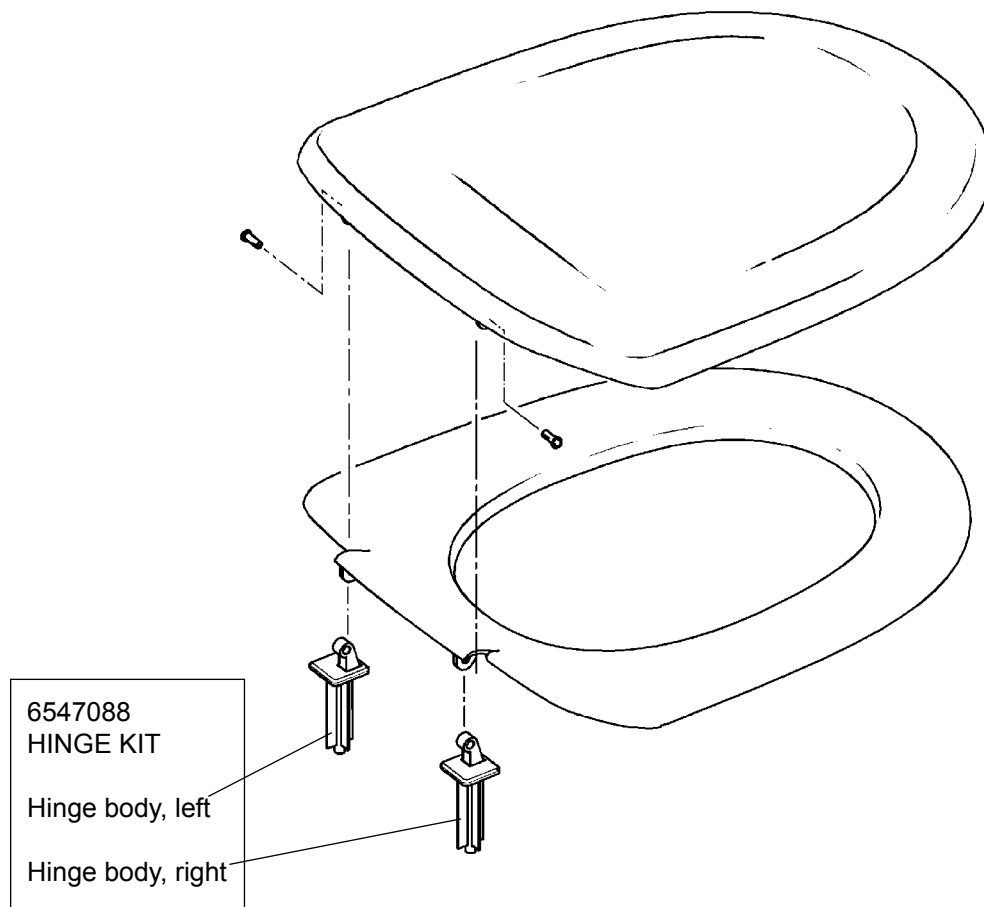
6543030 RECOMMENDED SPARE PART KIT:

- 1 x 3790009 V-ring
- 1 x 5774150 Filter
- 1 x 5774400 Diaphragm
- 1 x 5774701 Valve washer + Jet



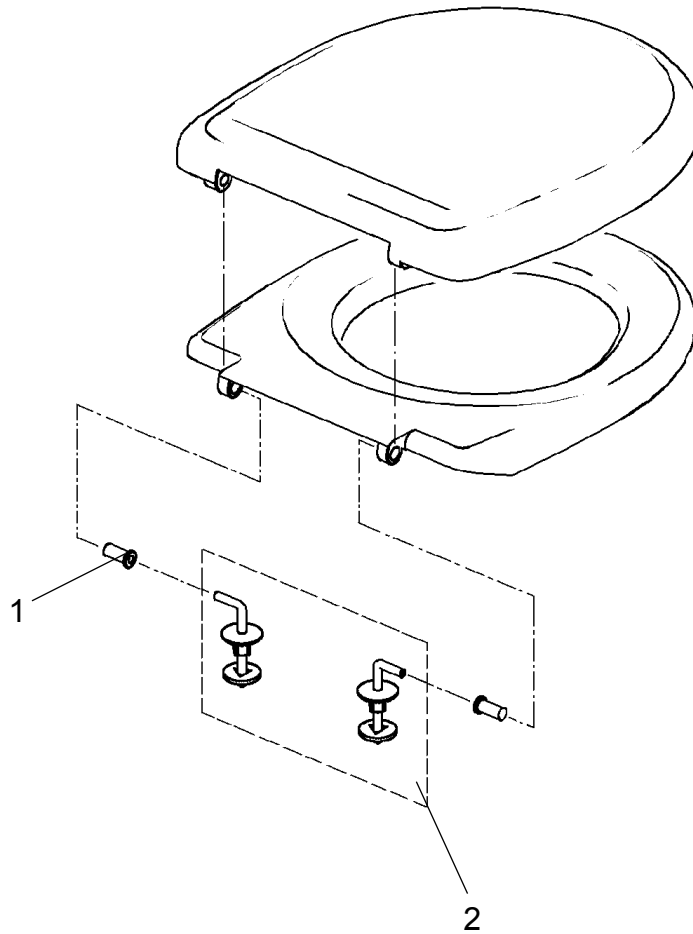
VACUUM TOILET

6542432 TREVI, SEAT AND COVER



VACUUM TOILET

6552132 TOSCANA, SEAT AND COVER



Item	Part No.	Description	Qty
1	6546751	Hinge sleeve	2
2	6551655	Hinge kit	1



EVAC CLASSIC TOILETS

REPLACING PRODUCTS

Please, identify your “old” product number and choose the replacing product.

Old products			Replacing products		
Name	P/N		P/N	Name	Link to document
Evac Classic toilet, wall model	6542423	▶	6544286	Evac Classic toilet, wall model, (upgraded)	001995-8
Evac Classic toilet, wall model USPH	6542463	▶	6544287	Evac Classic toilet, wall model USPH, (upgraded)	001995-8
Evac Classic toilet, floor model	6543056	▶	6545826	Evac 910 toilet, floor model, Trevi	002266-7
Evac Classic toilet, floor model USPH	6543057	▶	6545828	Evac 910 toilet, floor model USPH, Trevi	002254-7
Back plate assembly	6543272	▶	6542983	Back plate, Evac 910	002043-3
			6544996	Pneumatic push button	002255-2
Back plate assembly	6543273	▶	6542984	Back plate, Evac 910	002043-3
			6544996	Pneumatic push button	002255-2
			6545044	Retrofit kit for Evac Classic toilets (P/N 6542423 and P/N 6542463)	002170-2

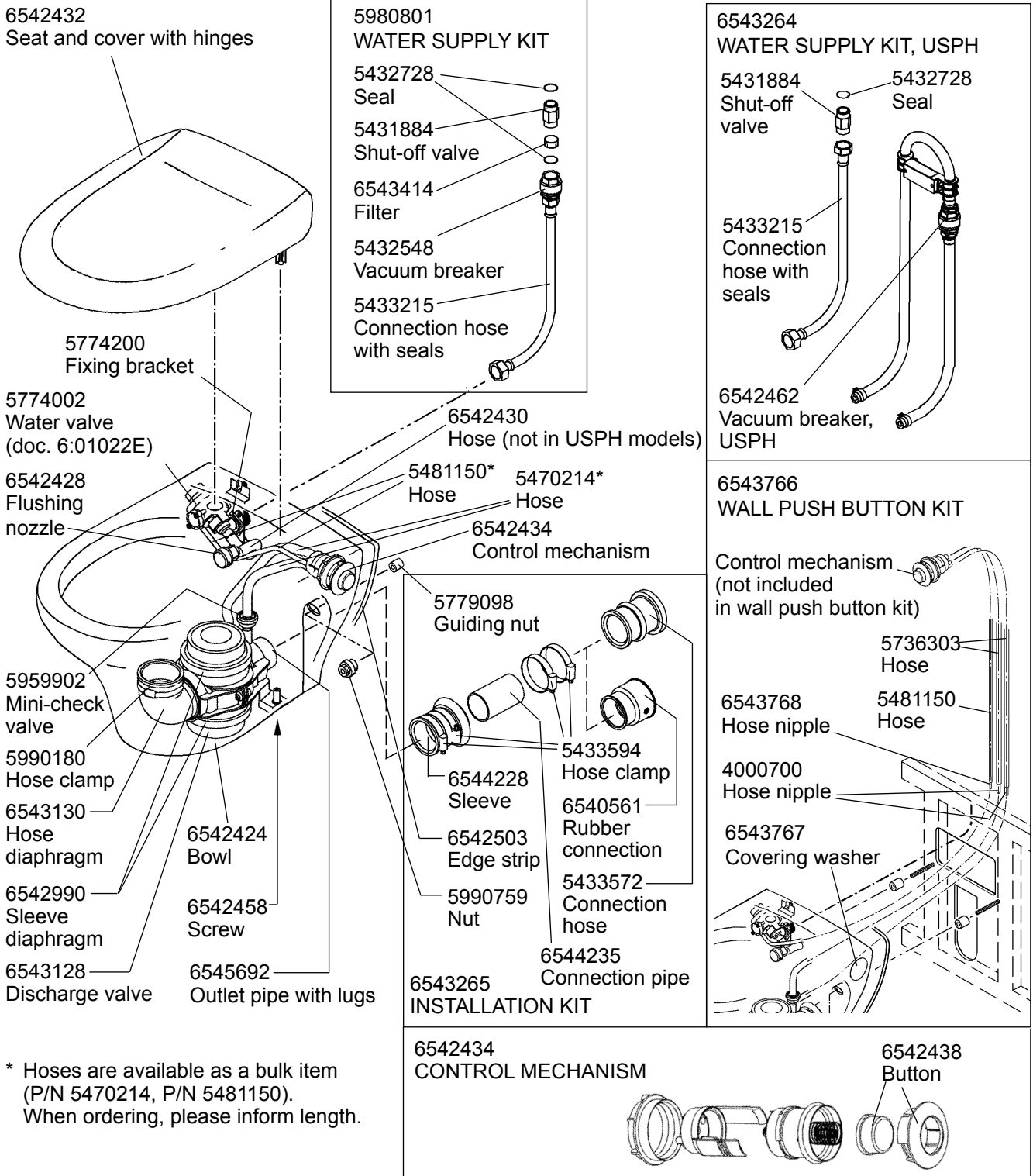
VACUUM TOILET

6544286 EVAC CLASSIC TOILET, WALL MODEL, (CONTROL MECHANISM ON PORCELAIN)

6544287 EVAC CLASSIC TOILET, WALL MODEL USPH, (CONTROL MECHANISM ON PORCELAIN)

6543766 WALL PUSH BUTTON KIT (OPTIONAL)

See recommended spare part kit in spare part document:
Doc no. 6:01022E



* Hoses are available as a bulk item (P/N 5470214, P/N 5481150).
When ordering, please inform length.

VACUUM TOILET

6545825 EVAC 910, FLOOR MODEL, STAR

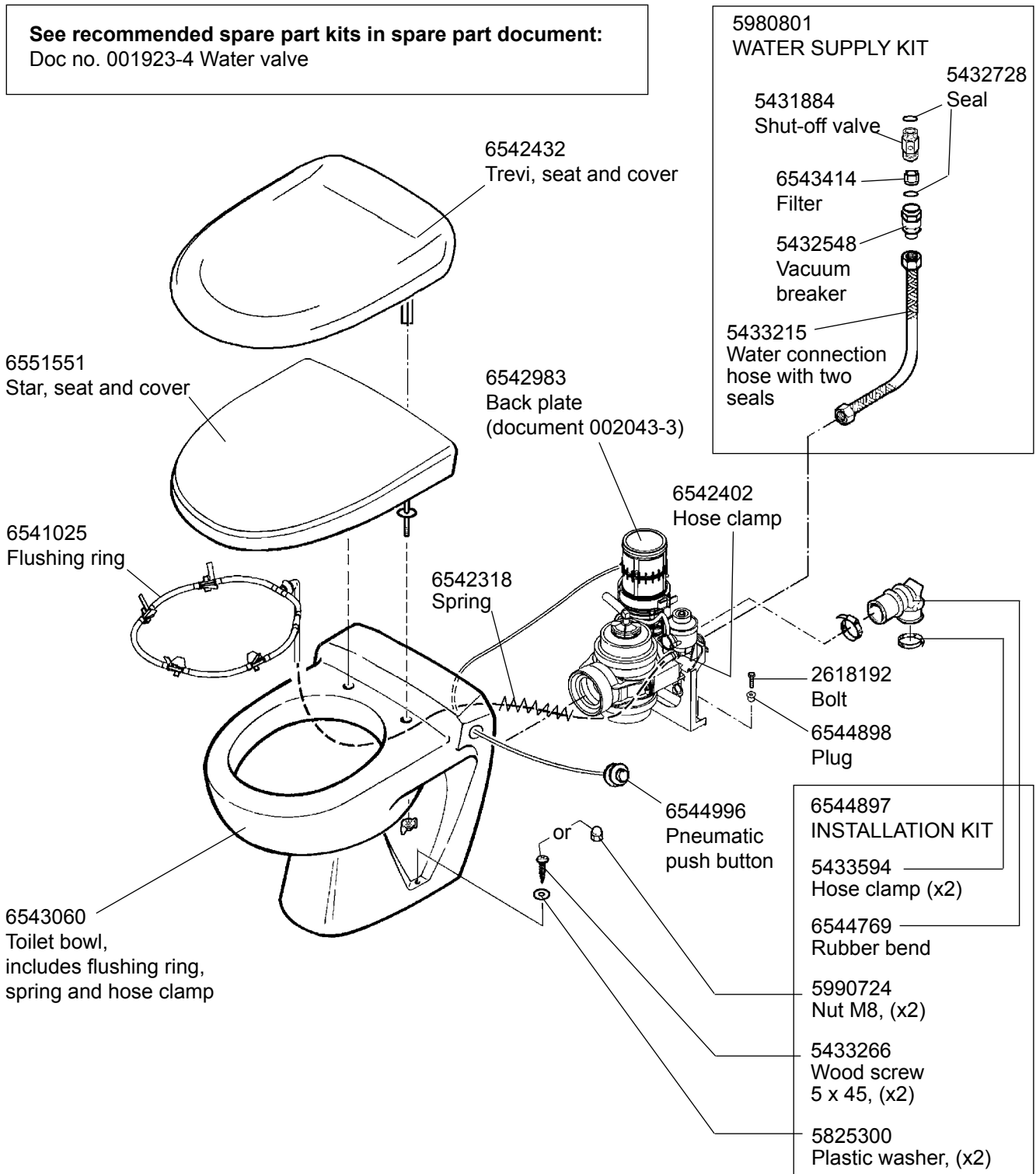
6545826 EVAC 910, FLOOR MODEL, TREVI

P/N 6545825 includes Star, seat and cover (P/N 6551551)

P/N 6545826 includes Trevi, seat and cover (P/N 6542432)

P/N 6541922 Silent, seat and cover is replaced by P/N 6551551 Star, seat and cover

See recommended spare part kits in spare part document:
Doc no. 001923-4 Water valve



VACUUM TOILET

6545827 EVAC 910, FLOOR MODEL USPH, STAR, WHITE

6545828 EVAC 910, FLOOR MODEL USPH, TREVI, WHITE

6545829 EVAC 910, FLOOR MODEL USPH, OPEN FRONT, WHITE

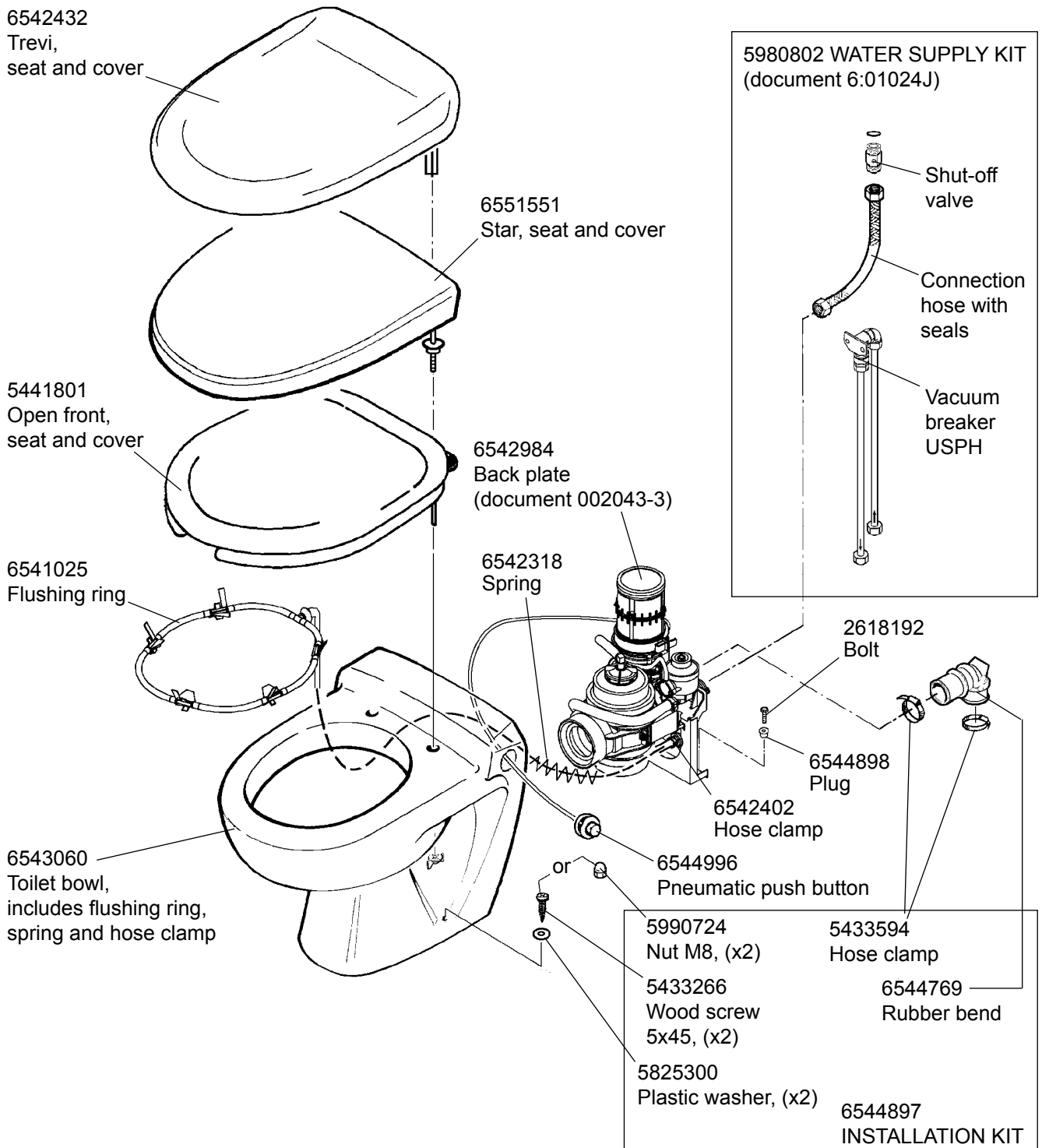
P/N 6545827 includes Star seat and cover (P/N 6551551)

P/N 6545828 includes Trevi seat and cover (P/N 6542432)

P/N 6545829 includes Open front seat and cover (P/N 5441801)

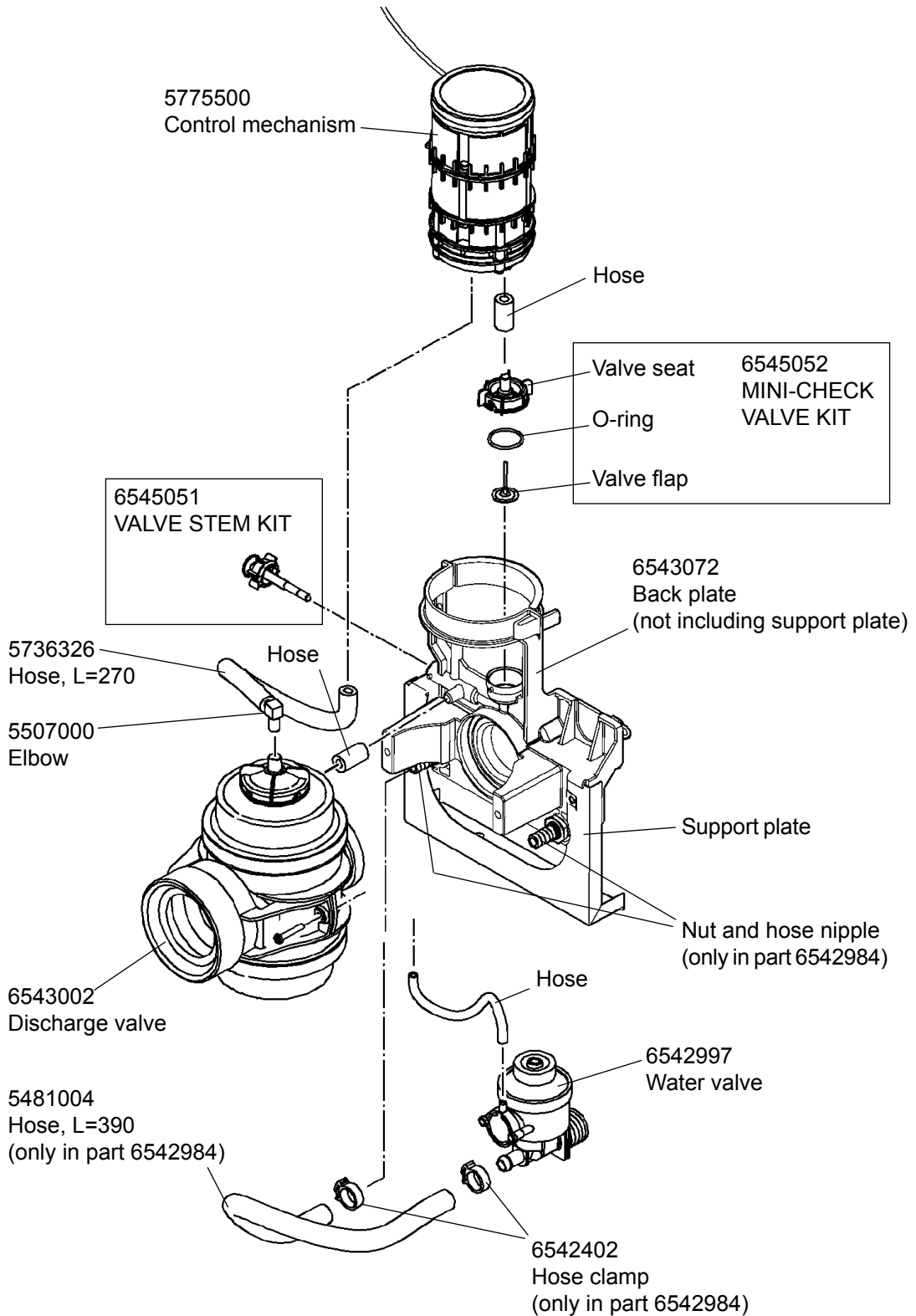
P/N 6541922 is replaced by P/N 6551551

**See recommended part kits
in spare part document:
Doc no. 001923-4 Water valve**



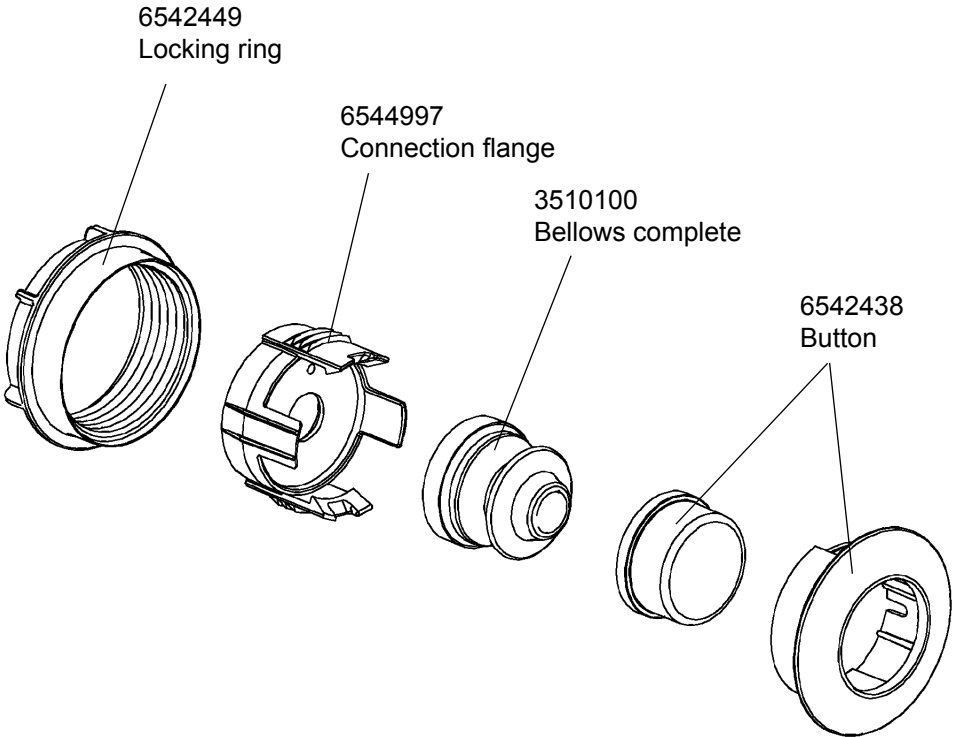
VACUUM TOILET

6542983 BACK PLATE, EVAC 910, FLOOR MODELS
 6542984 BACK PLATE, EVAC 910, FLOOR MODELS USPH



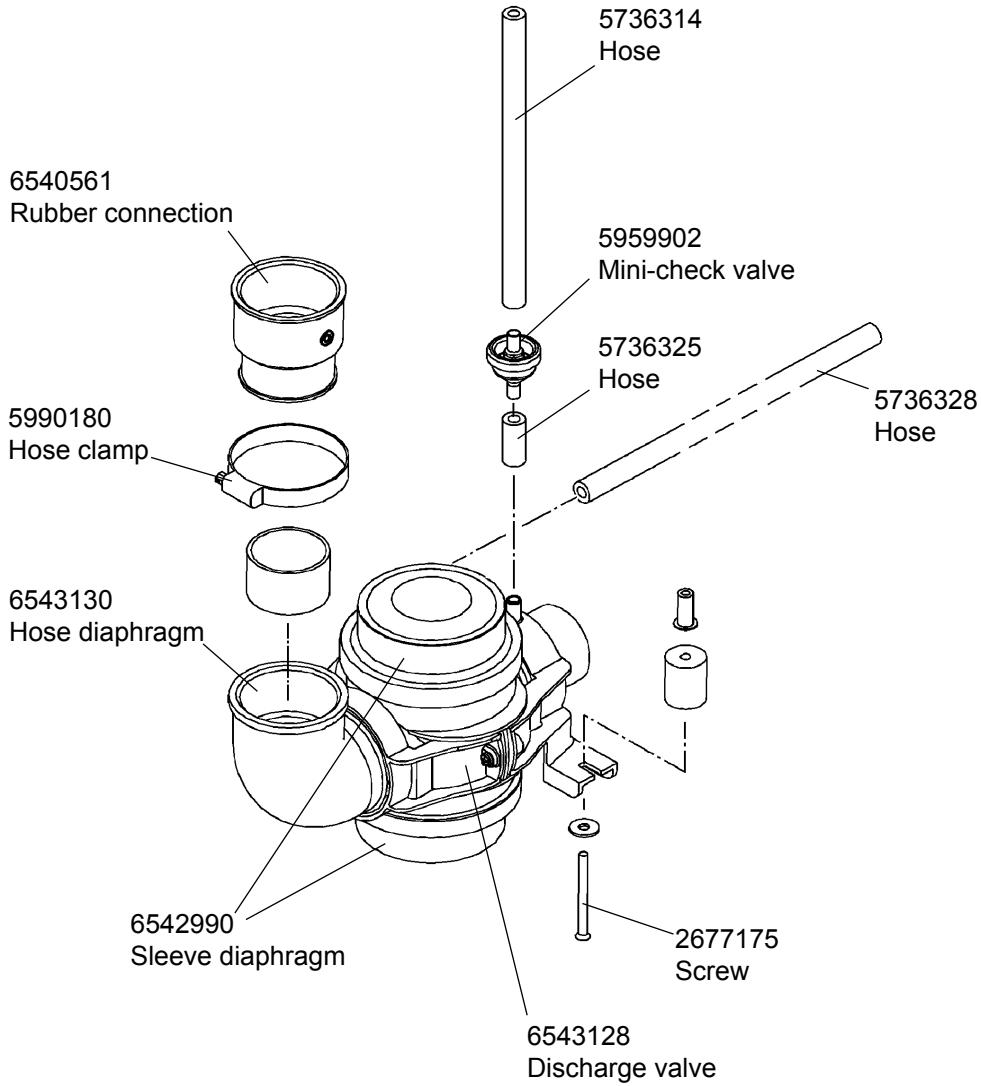
VACUUM TOILET

6544996 PNEUMATIC PUSH BUTTON FOR EVAC 910 FLOOR MODELS



VACUUM TOILET

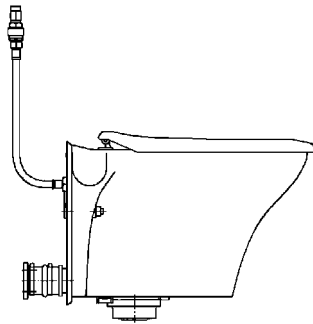
6545044 RETROFIT KIT FOR EVAC CLASSIC TOILETS (P/N 6542423 AND P/N 6542463)



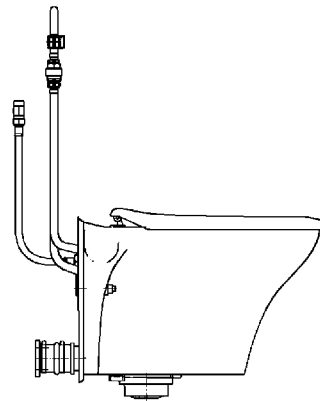
EVAC CLASSIC TOILETS (UPGRADED)

WALL MODELS

Wall model



Wall model USPH



[Spare parts](#)

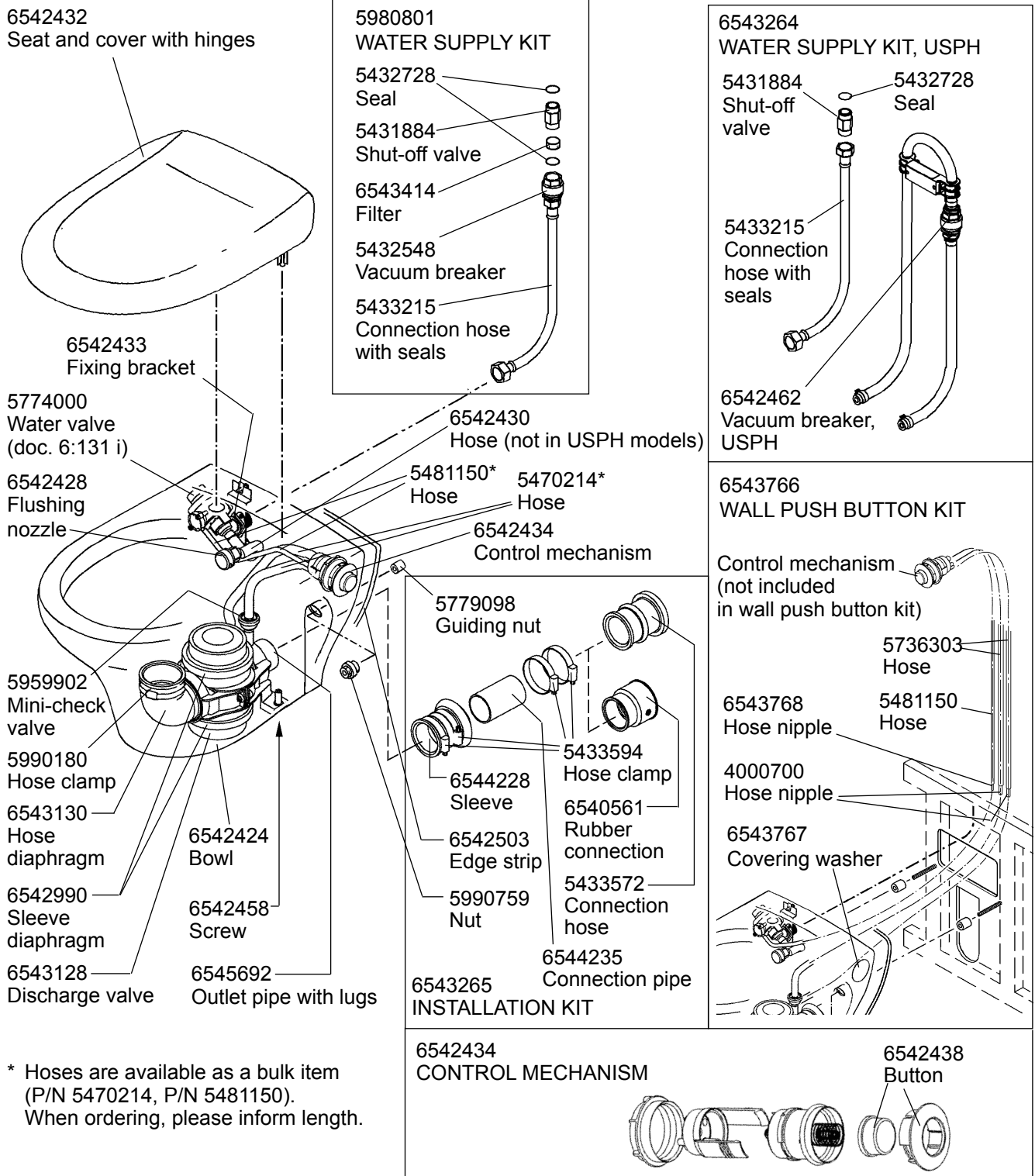
VACUUM TOILET

6544286 EVAC CLASSIC TOILET, WALL MODEL, (CONTROL MECHANISM ON PORCELAIN)

6544287 EVAC CLASSIC TOILET, WALL MODEL USPH, (CONTROL MECHANISM ON PORCELAIN)

6543766 WALL PUSH BUTTON KIT (OPTIONAL)

See recommended spare part kit in spare part document:
Doc no. 6:131 i



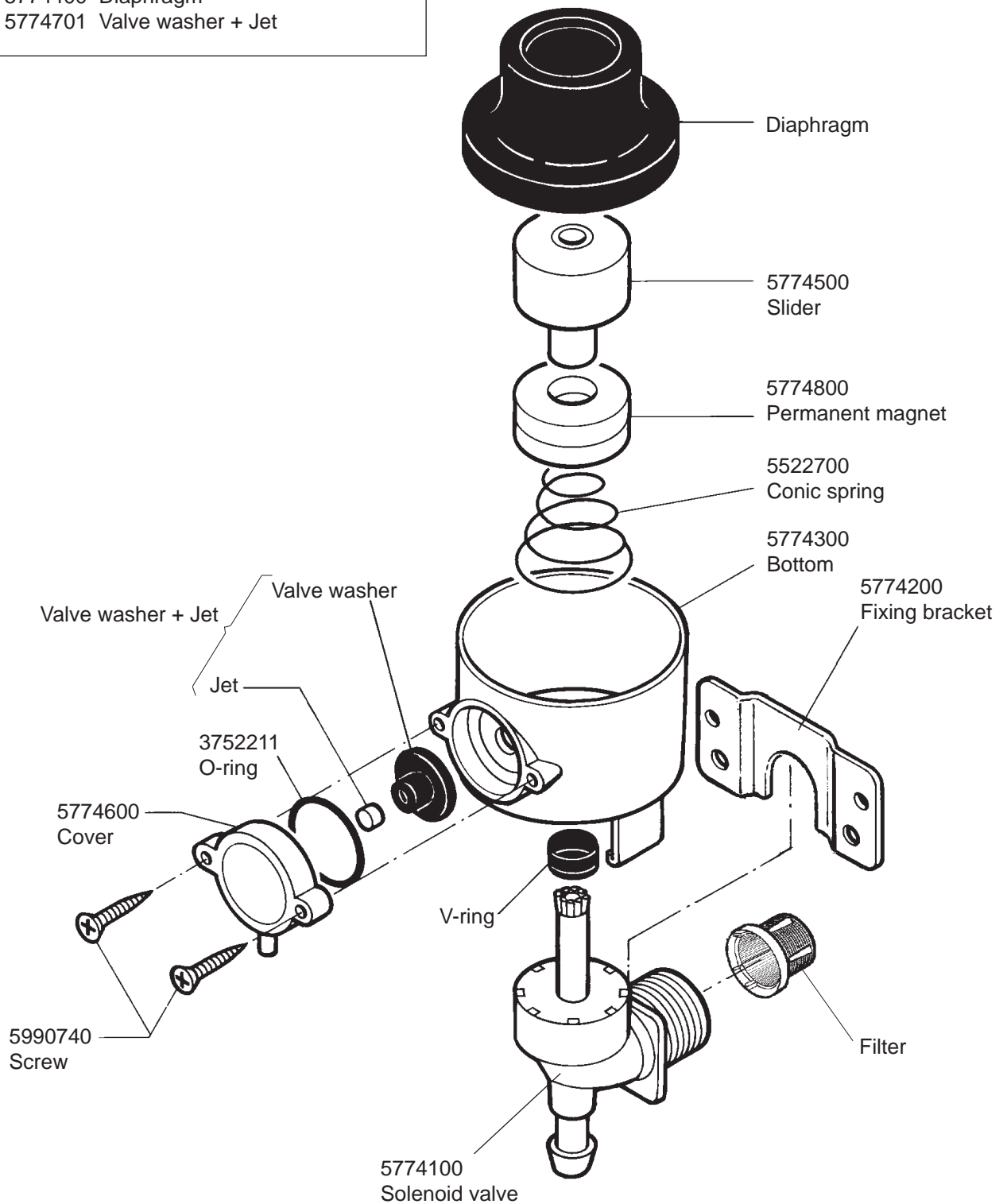
* Hoses are available as a bulk item (P/N 5470214, P/N 5481150).
When ordering, please inform length.

VACUUM TOILET

5774000 WATER VALVE

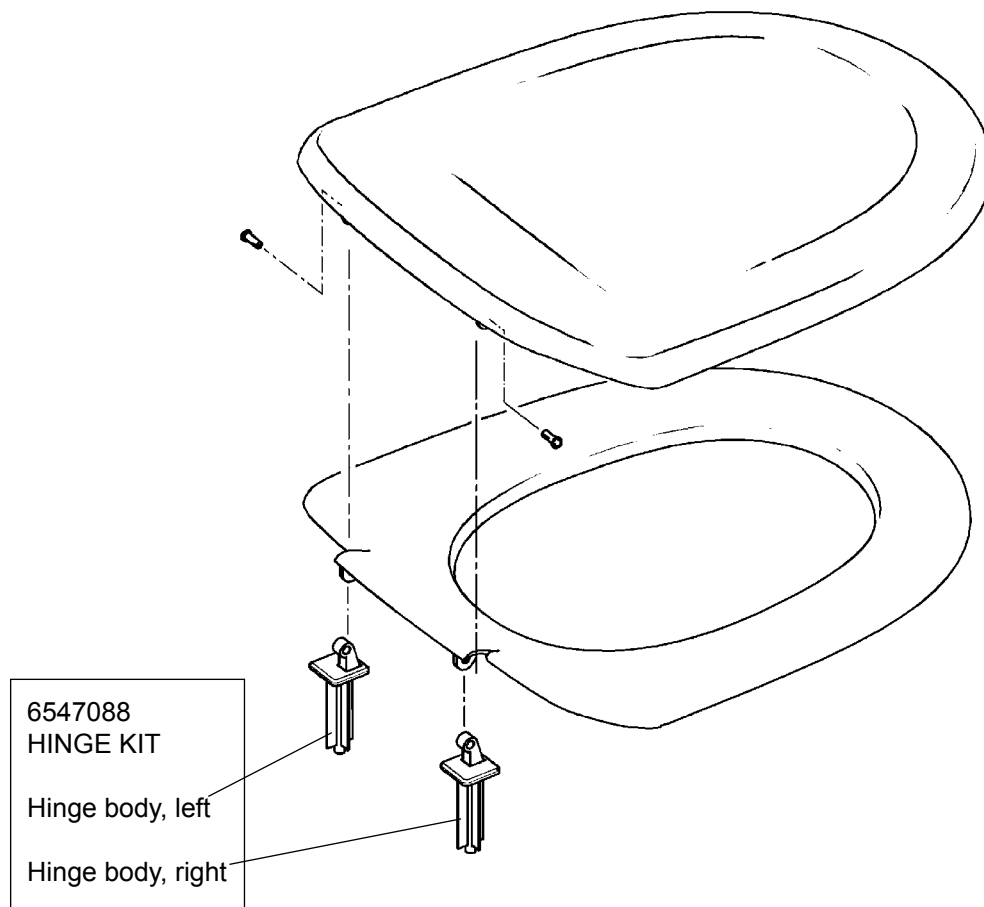
6543030 RECOMMENDED SPARE PART KIT:

- 1 x 3790009 V-ring
- 1 x 5774150 Filter
- 1 x 5774400 Diaphragm
- 1 x 5774701 Valve washer + Jet

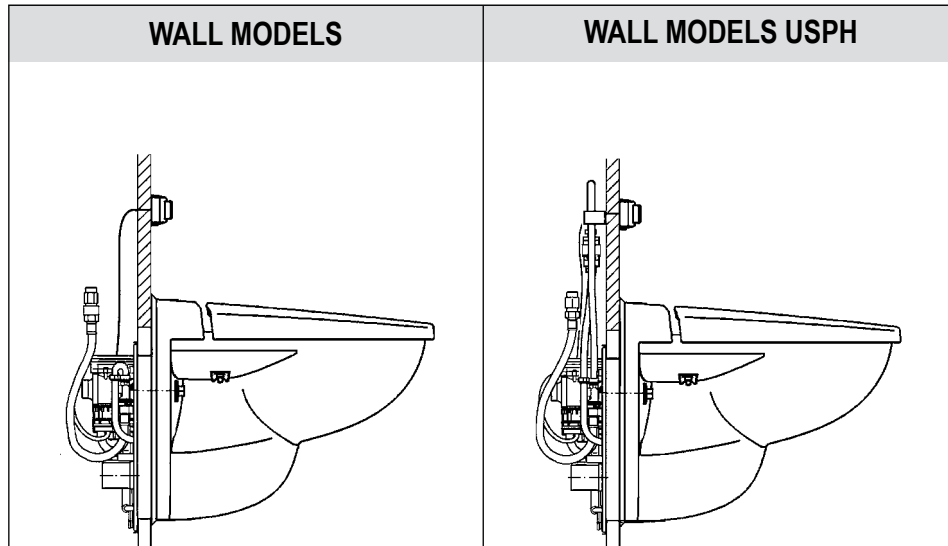


VACUUM TOILET

6542432 TREVI, SEAT AND COVER



EVAC 900 AND 910, B15 TOILETS

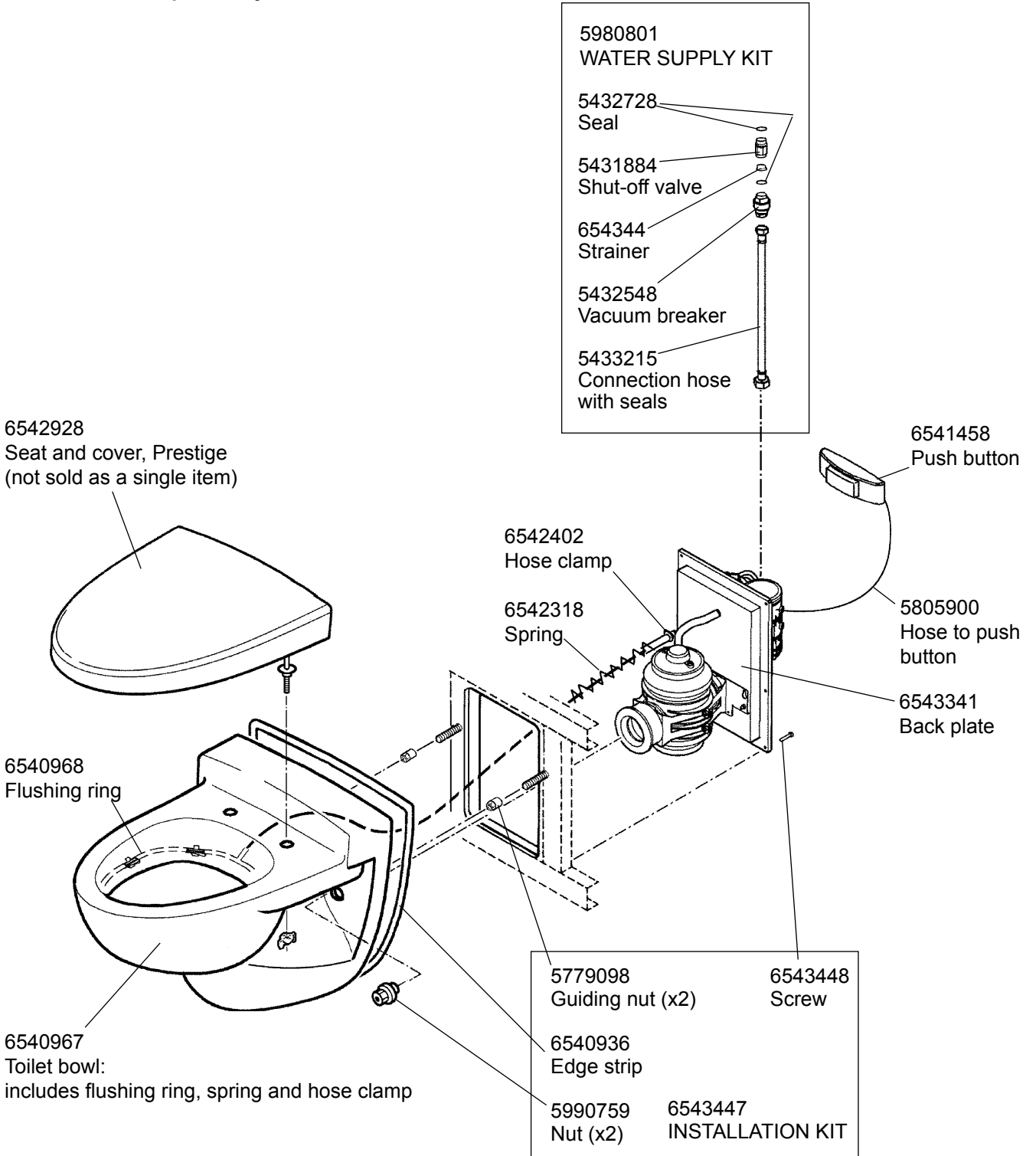


[Spare parts](#)

VACUUM TOILET

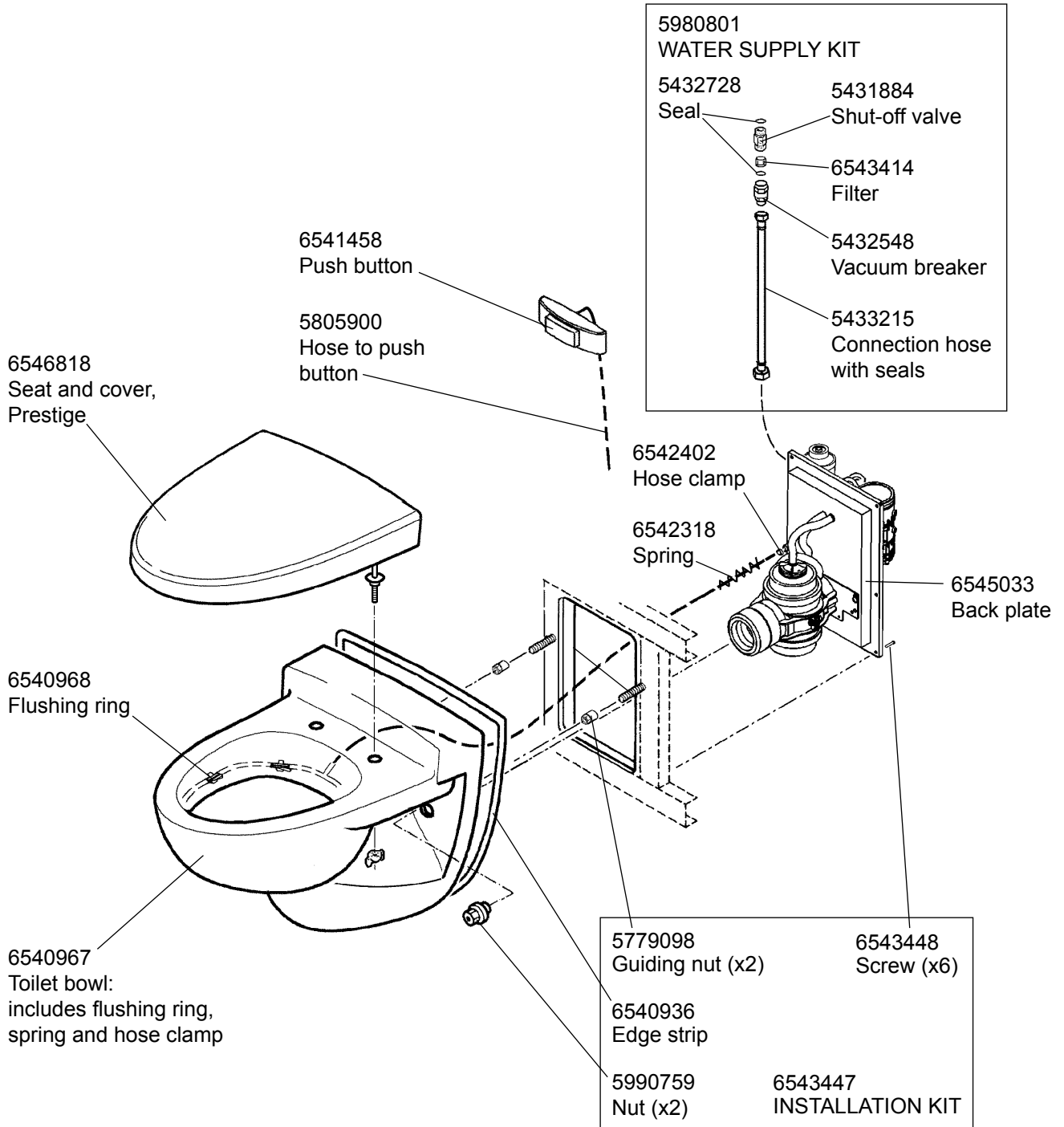
6543442 EVAC 900, B15, WALL MODEL, PRESTIGE, WHITE
(not sold as a single item)

P/N 6542928 is replaced by P/N 6546818



VACUUM TOILET

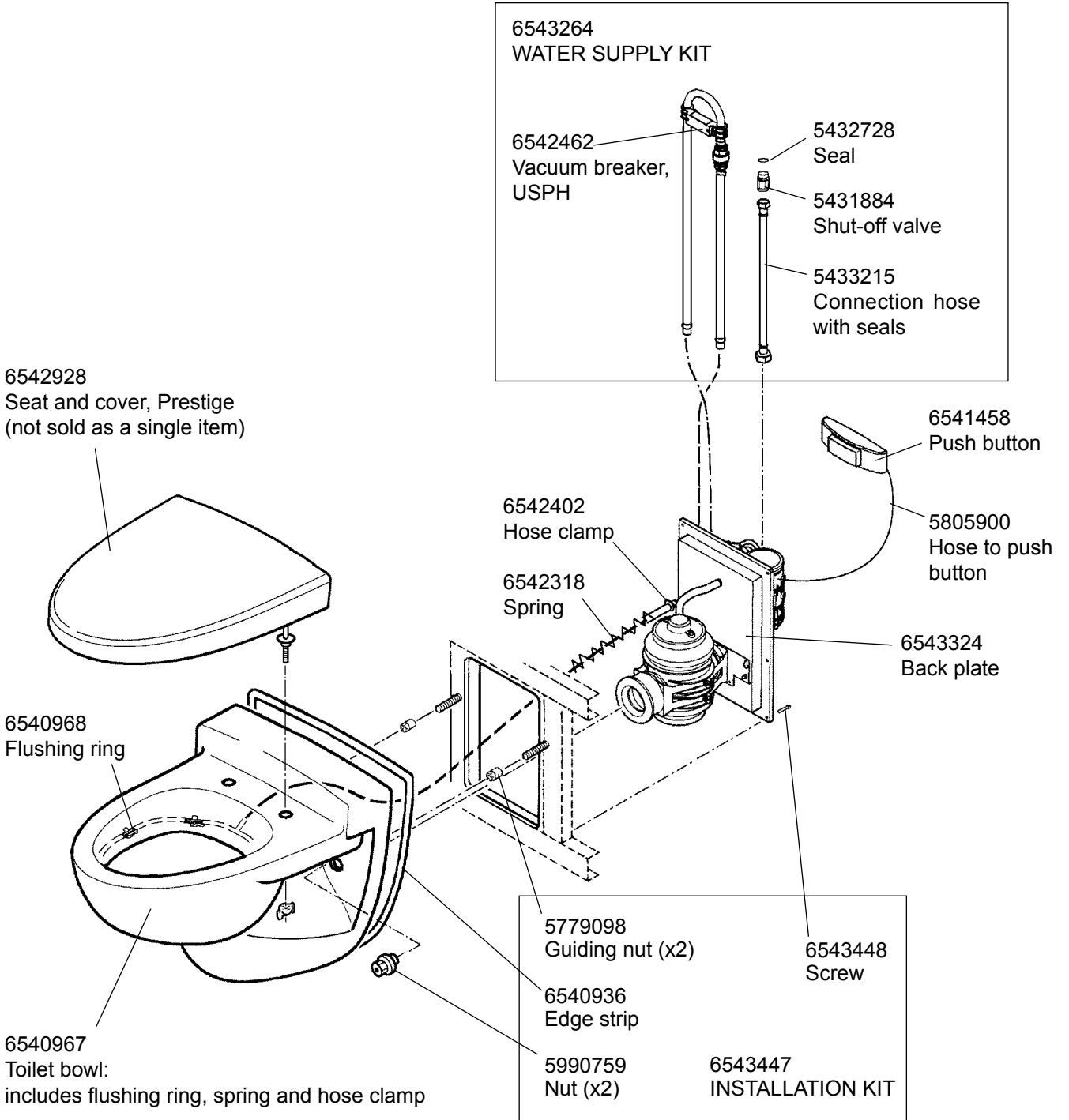
6545030 EVAC 910, B15, WALL MODEL, PRESTIGE, WHITE



VACUUM TOILET

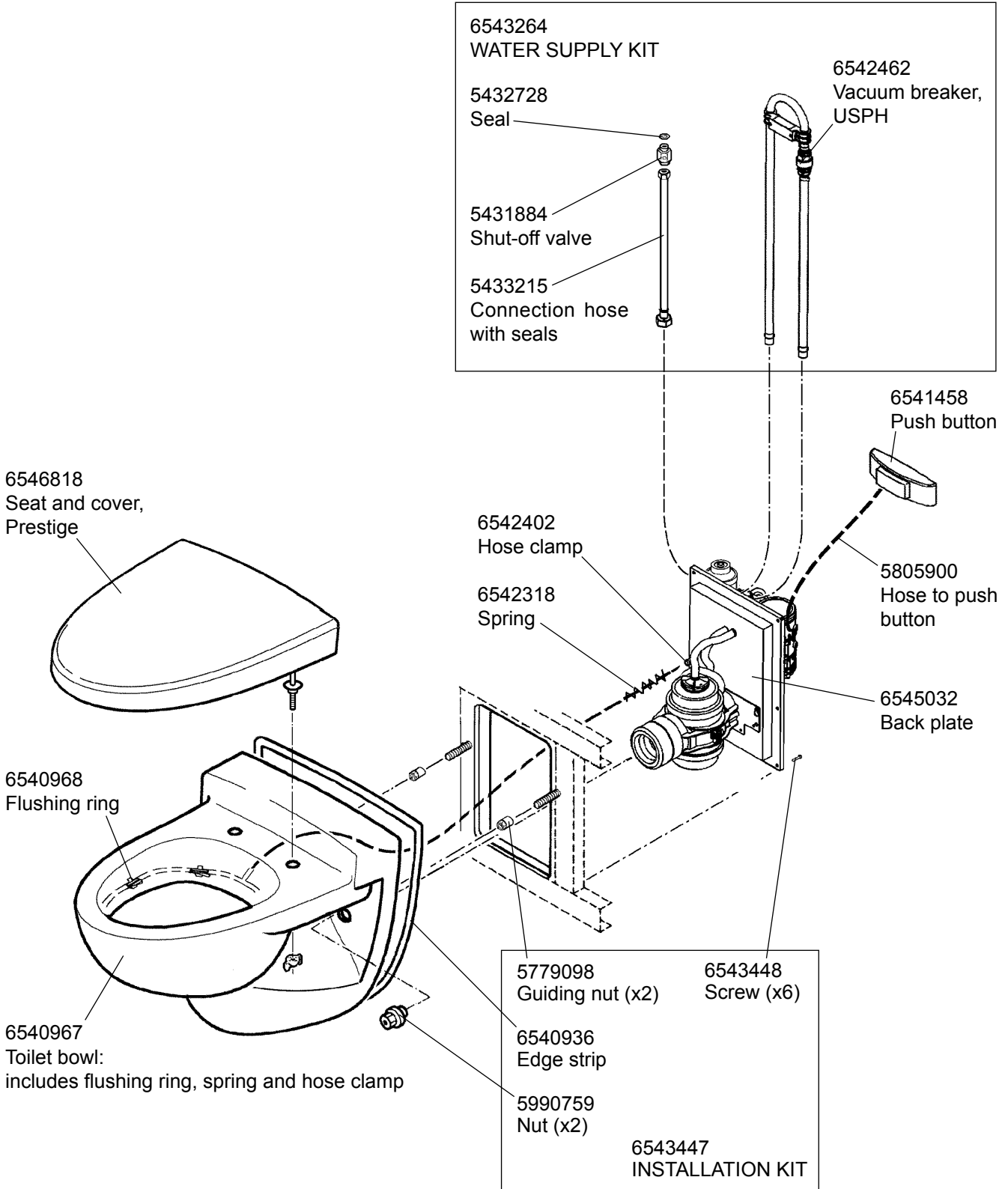
6543444 EVAC 900, B15, WALL MODEL USPH, PRESTIGE, WHITE
 (not sold as a single item)

P/N 6542928 is replaced by P/N 6546818



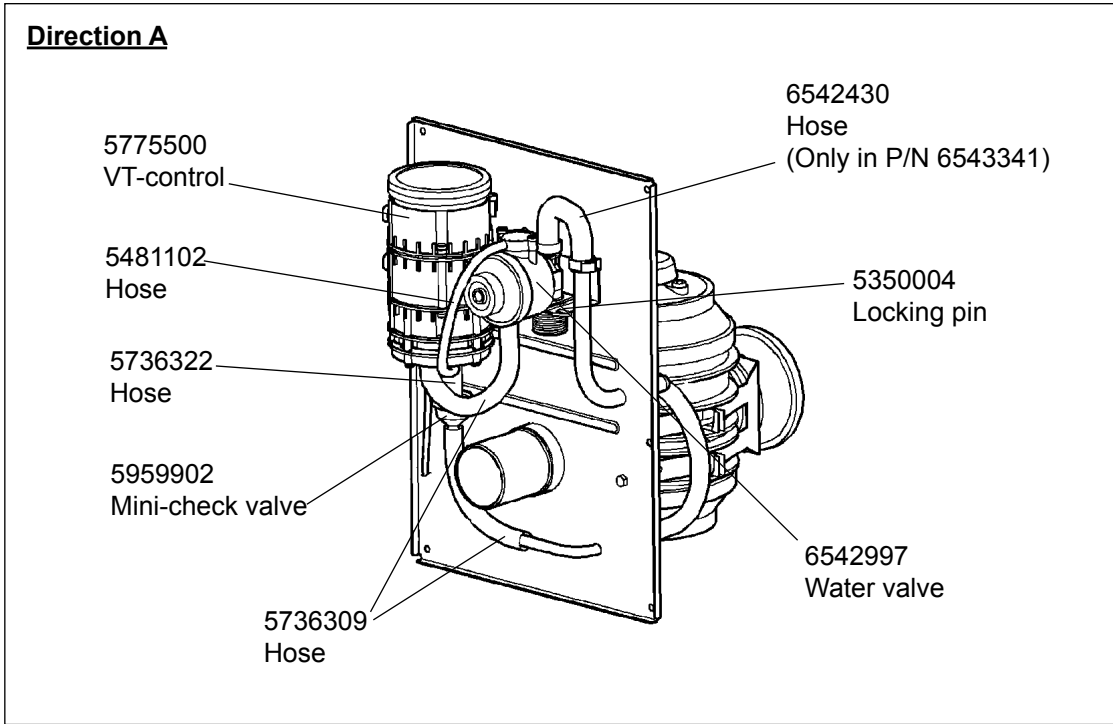
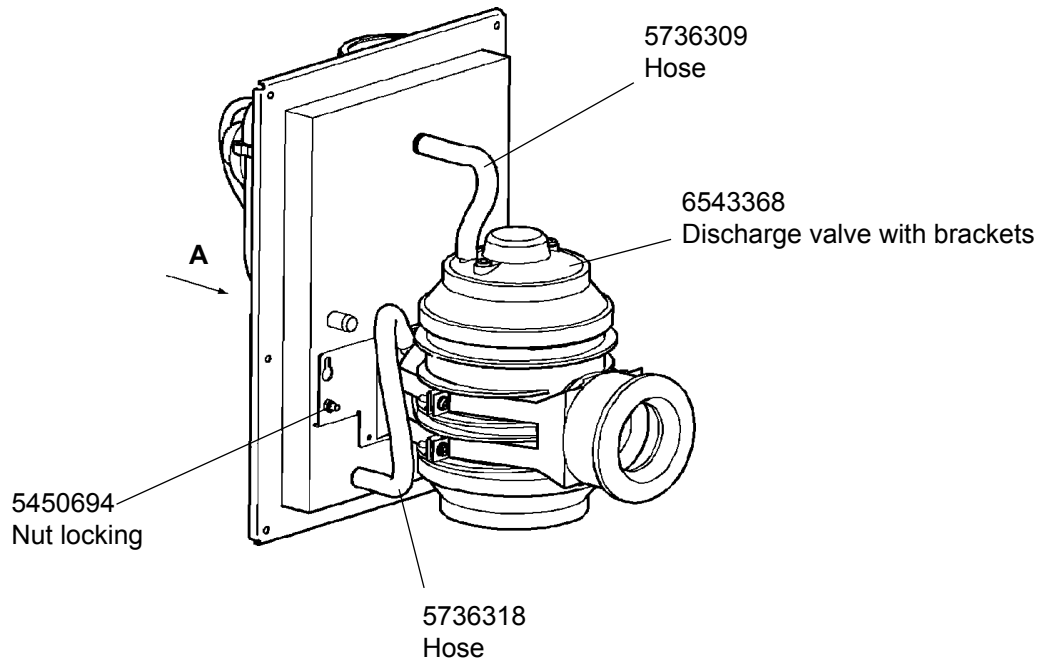
VACUUM TOILET

6545031 EVAC 910, B15, WALL MODEL USPH, PRESTIGE, WHITE



VACUUM TOILET

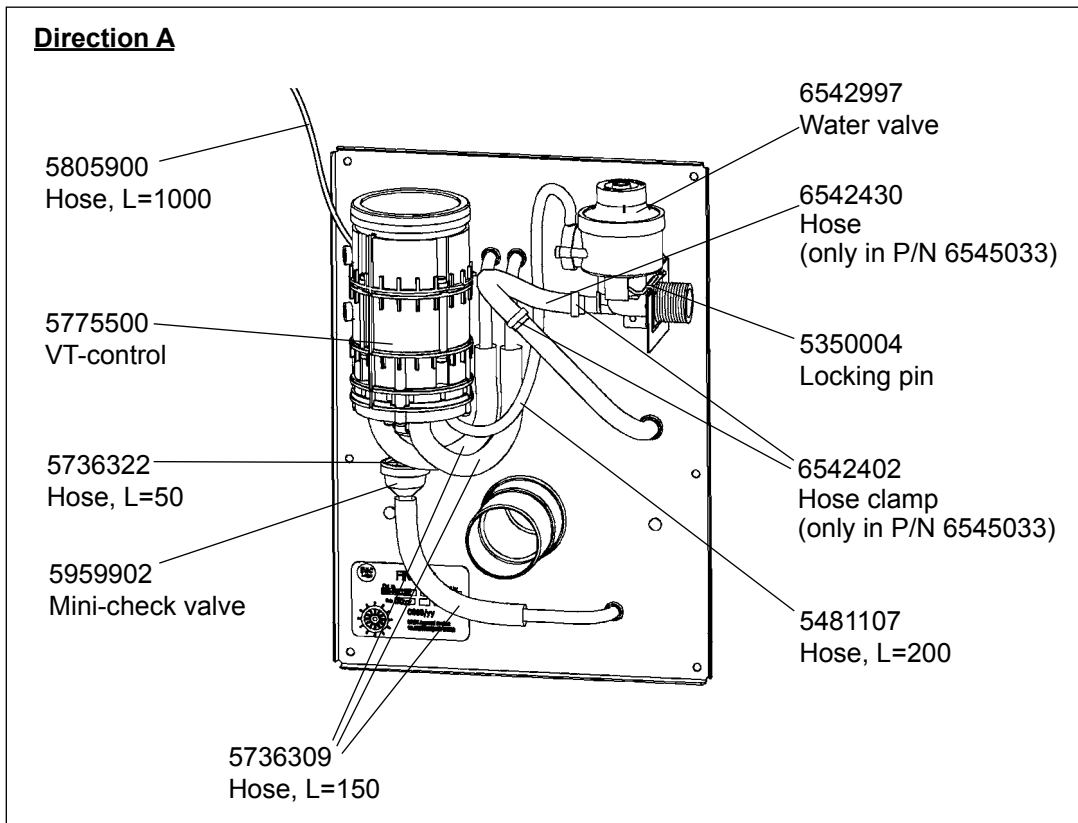
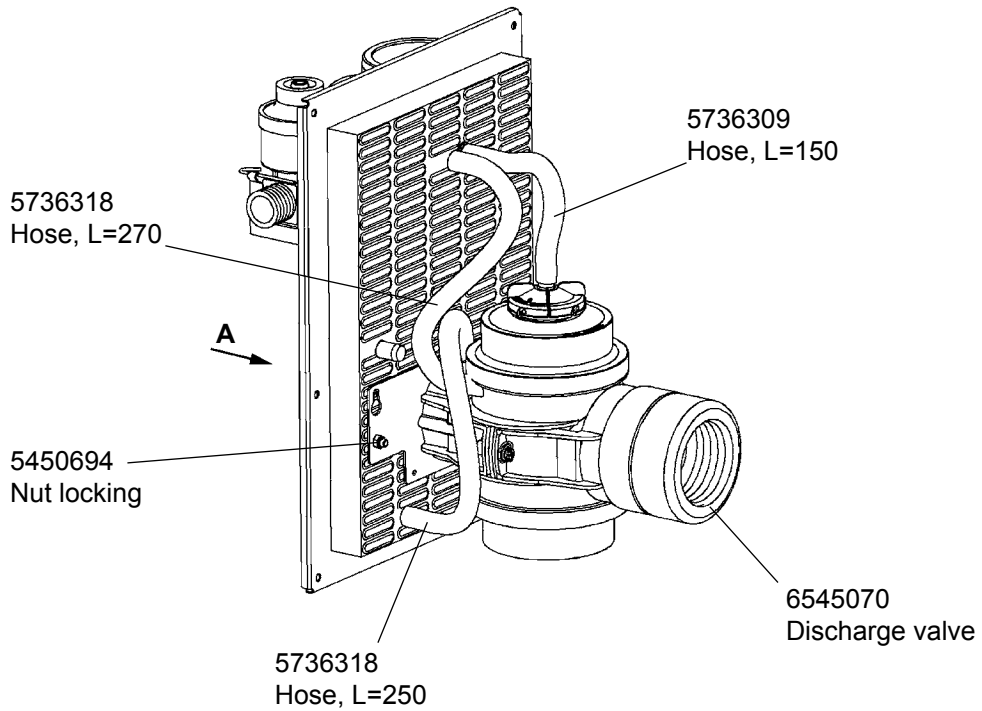
- 6543324 BACK PLATE
- 6543341 BACK PLATE



VACUUM TOILET

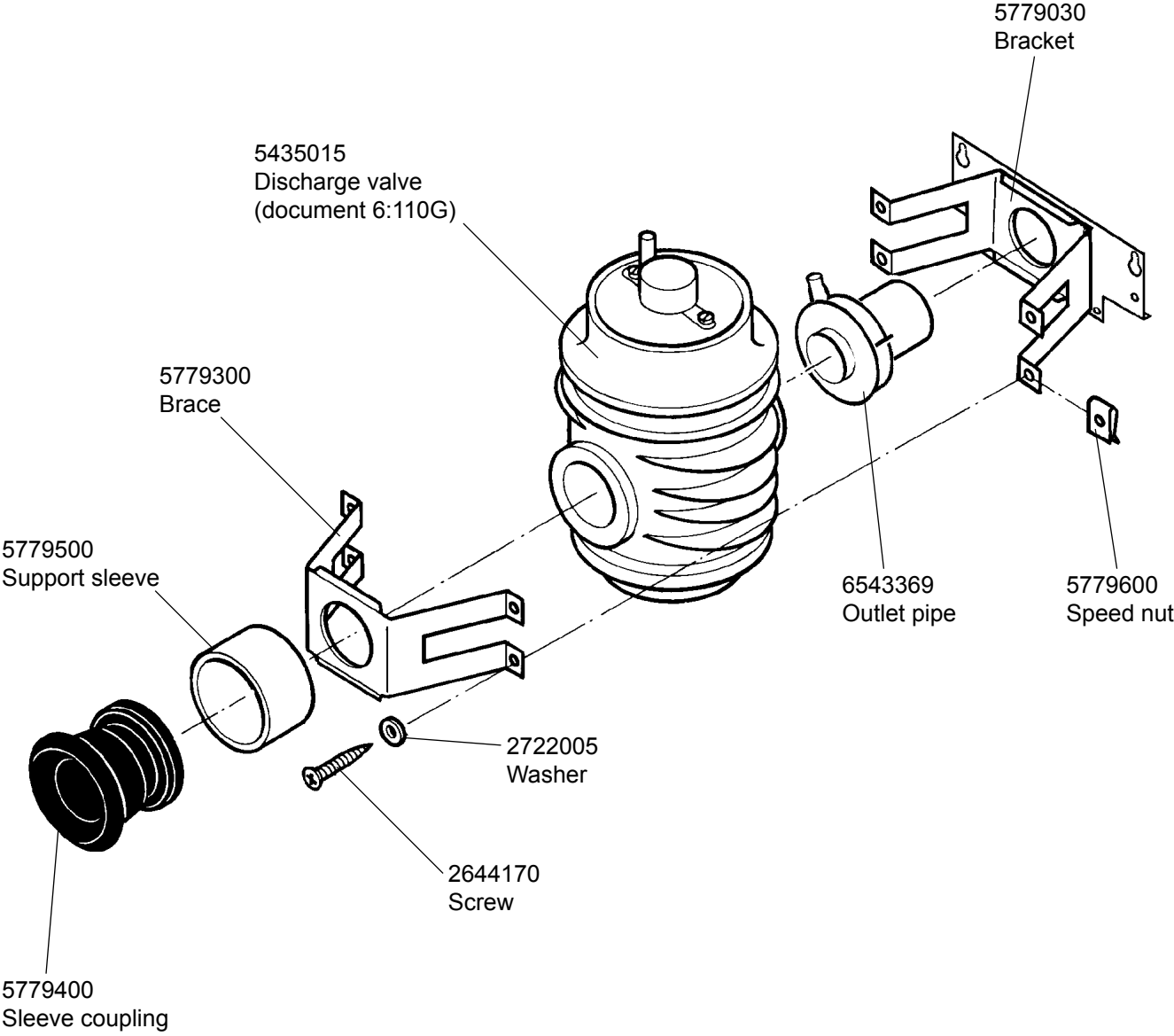
6545033 BACK PLATE, EVAC 910, B15, WALL MODEL

6545032 BACK PLATE, EVAC 910, B15, WALL MODEL USPH



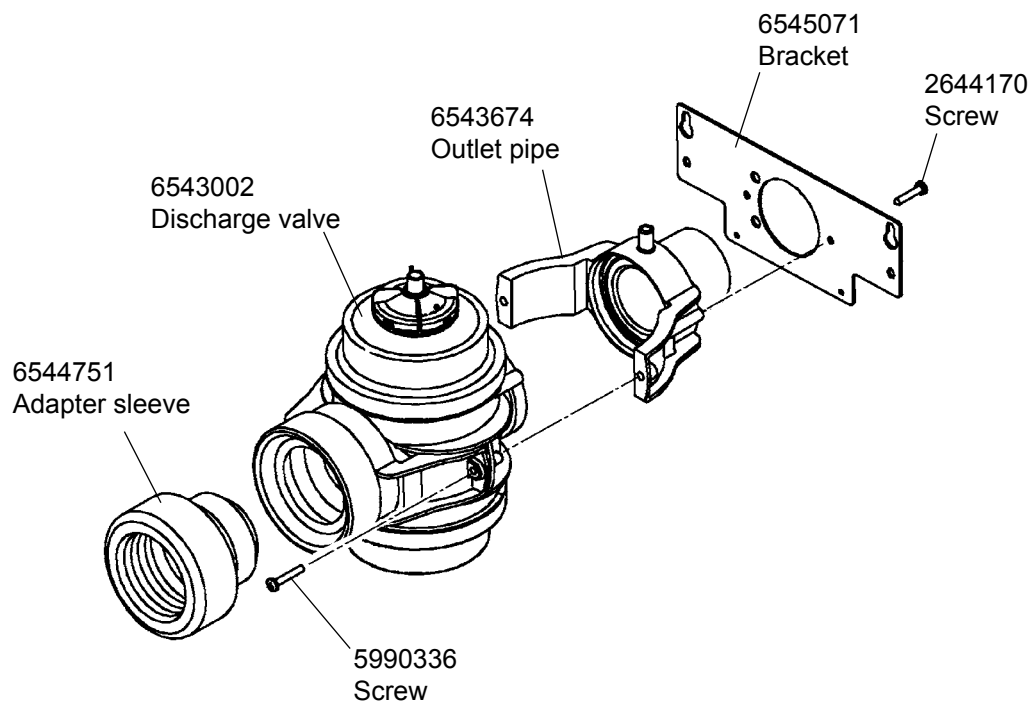
VACUUM TOILET

6543368 DISCHARGE VALVE WITH BRACKETS, EVAC 900, B15



VACUUM TOILET

6545070 DISCHARGE VALVE WITH BRACKET



VACUUM TOILET

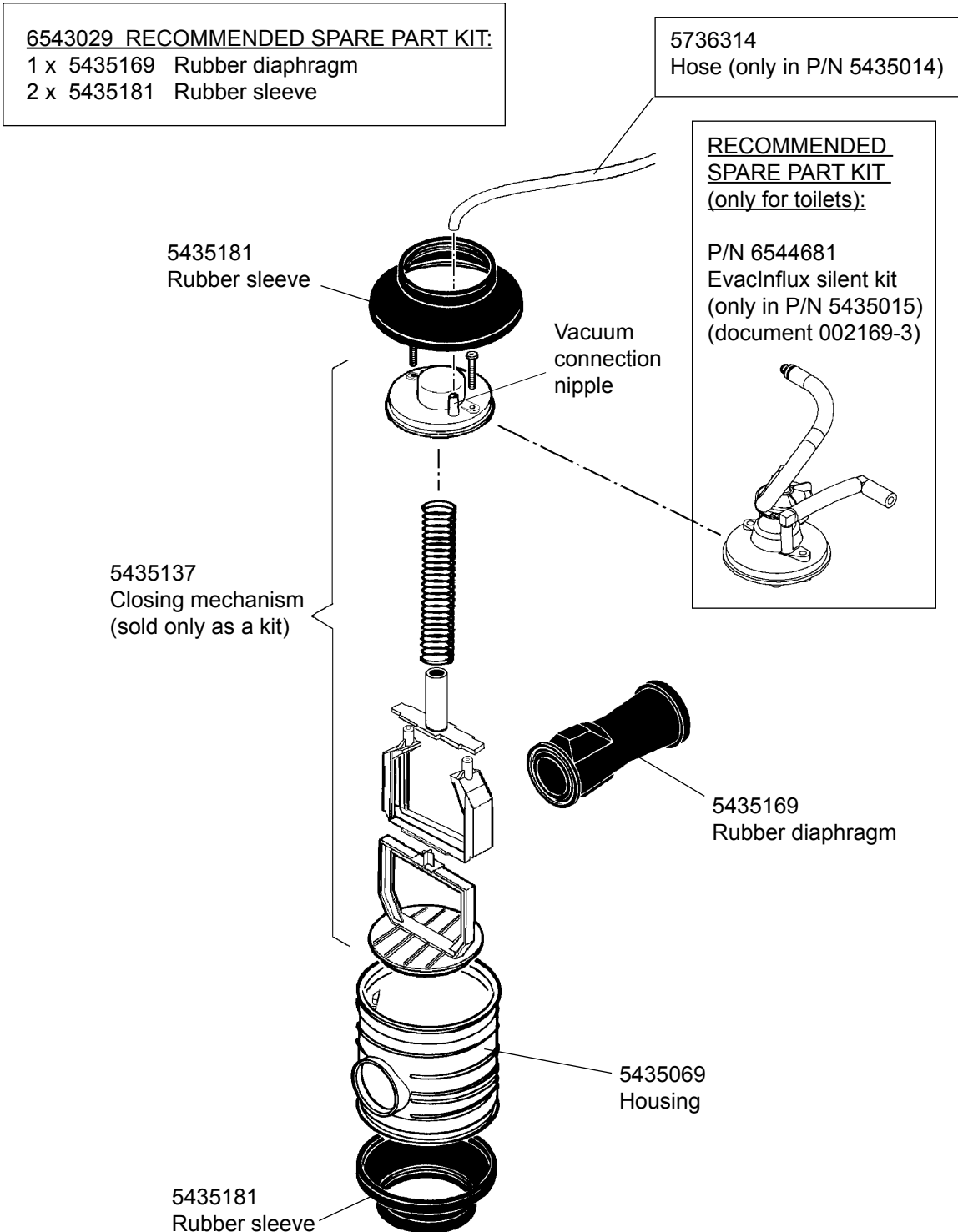
5435014 DISCHARGE VALVE

5435015 DISCHARGE VALVE

P/N 43501.3 and P/N 5435013 are replaced by P/N 5435014

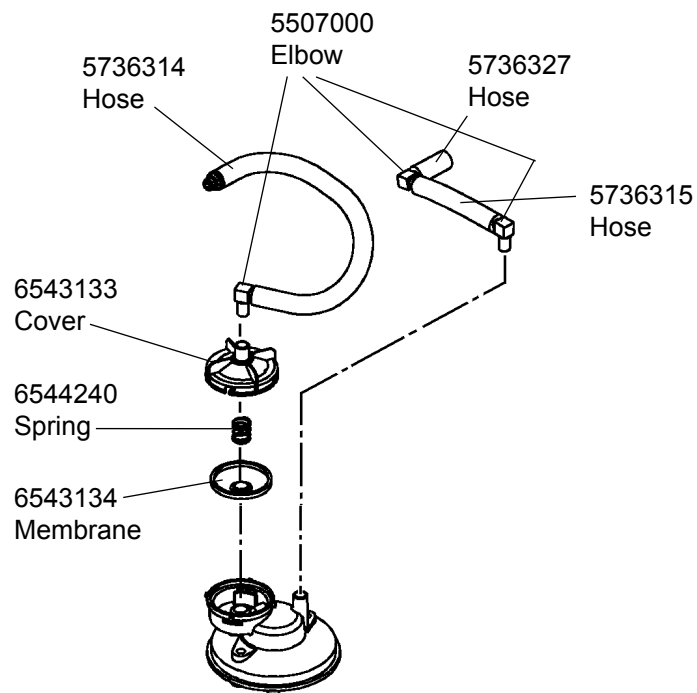
P/N 5435015 Discharge valve (see diagram below).

P/N 5435014 Discharge valve includes Discharge valve P/N 5435015 + Hose (L = 210 mm) P/N 5736314.



VACUUM TOILET

6544681 EVACINFLUX SILENT KIT

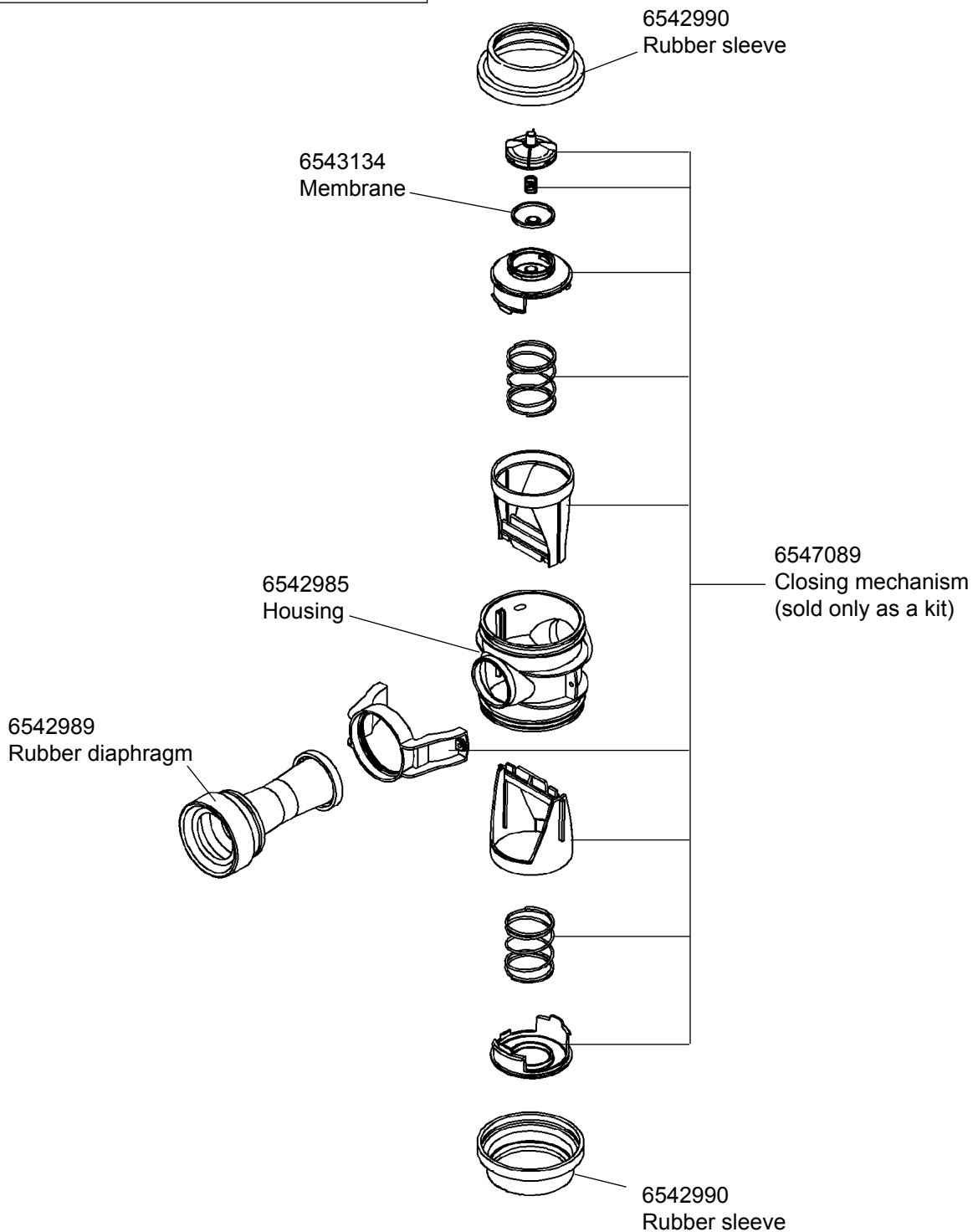


VACUUM TOILET

6543002 DISCHARGE VALVE

6545041 RECOMMENDED SPARE PART KIT:

- 1 x 6542989 Rubber diaphragm
- 2 x 6542990 Rubber sleeve
- 1 x 6543134 Membrane

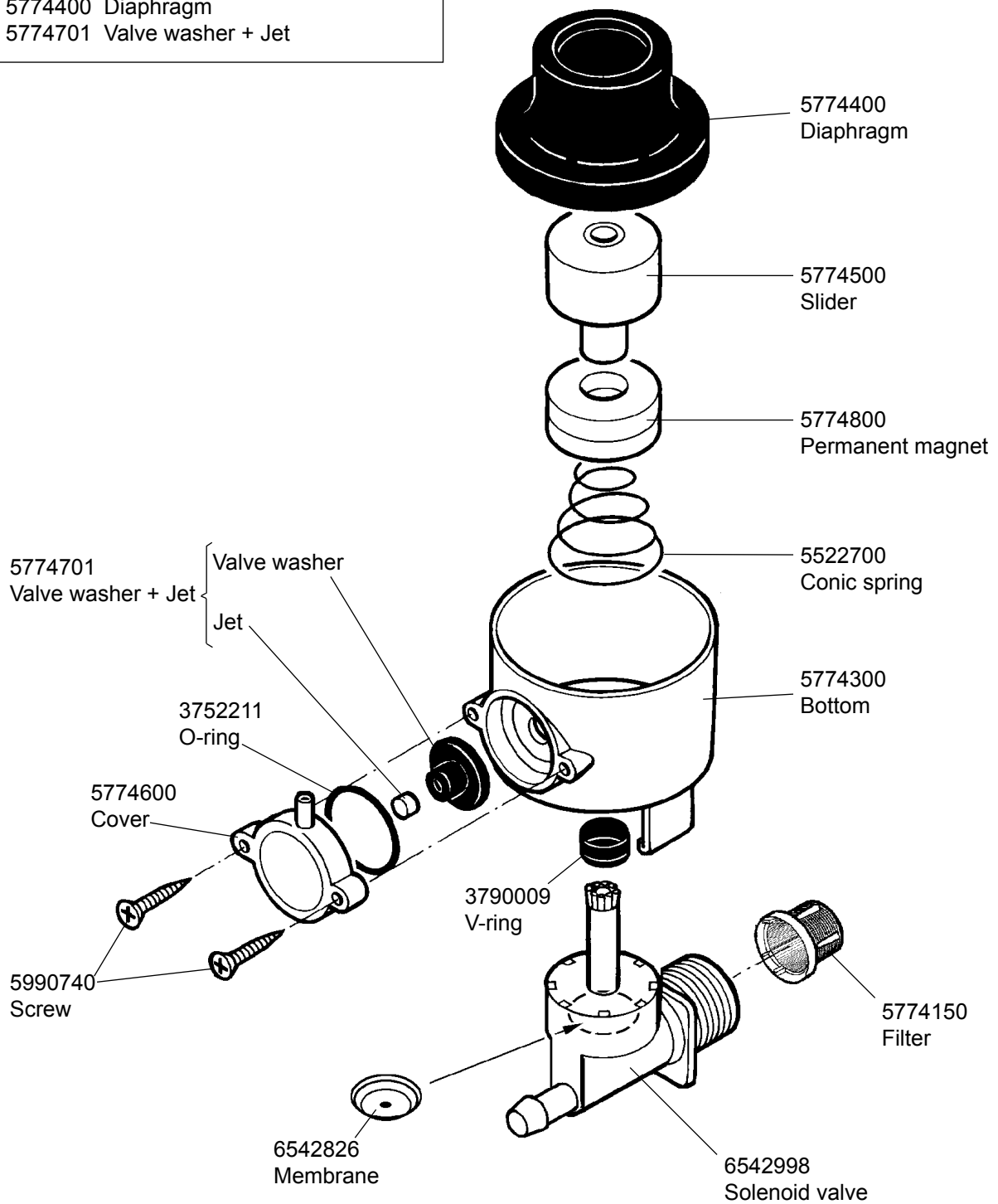


VACUUM TOILET

6542997 WATER VALVE

6543030 RECOMMENDED SPARE PART KIT:

- 1 x 3790009 V-ring
- 1 x 5774150 Filter
- 1 x 5774400 Diaphragm
- 1 x 5774701 Valve washer + Jet



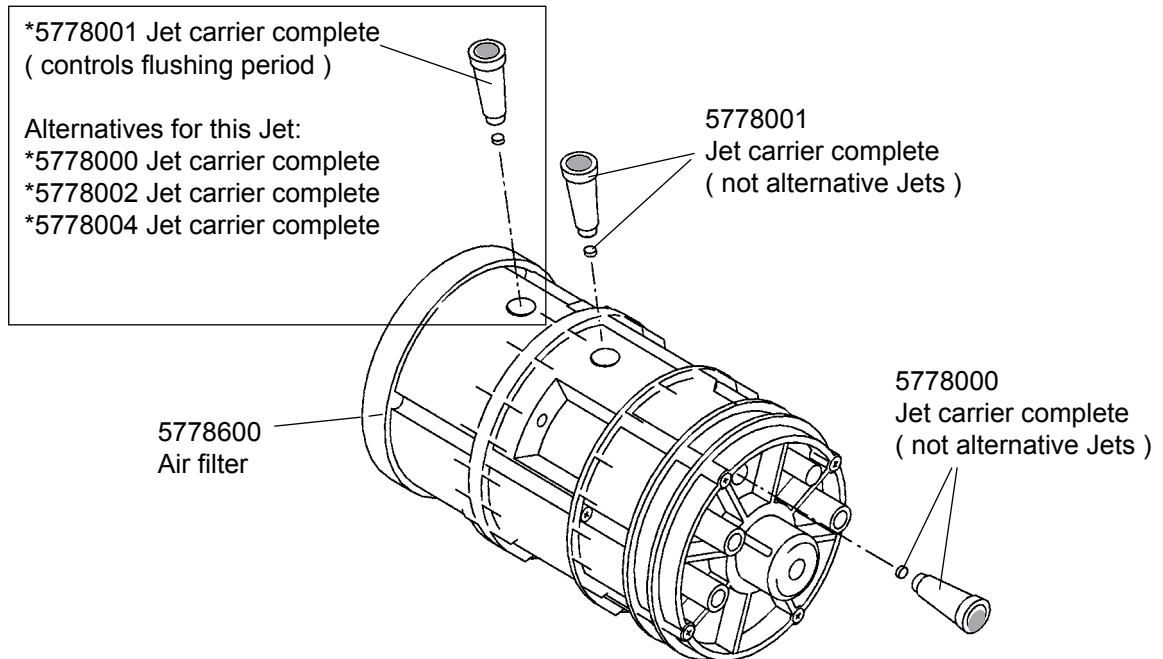
VACUUM TOILET

5775500 CONTROL MECHANISM

5881000 SPARE PART KIT FOR CONTROL MECHANISM (EVAC 90 AND 900 MODEL TOILETS)

6546688 SPARE PART KIT FOR CONTROL MECHANISM (EVAC 910 AND 912 MODEL TOILETS, TOILET WITH AUTOFLUSH UNIT, STAINLESS STEEL TOILET, SQUATTING TOILET)

P/N 5775500 Control mechanism



* Jet carrier identification:

P/N	Colour	Size	Effect
5778004	Yellow	0.20	Extra long flushing period
5778000	White	0.30	Long flushing period
5778001	Blue	0.40	Normal flushing period
5778002	Red	0.50	Short flushing period

! NOTE: See also the operation and maintenance documents:

Doc. 3:111E, Control mechanism (Evac 90 and 900 model toilets)

Doc. 002032-3, Control mechanism (Evac 910 model toilets)

Doc. 002474-2, Control mechanism (Evac 910 Stainless steel toilets)

Doc. 3:01103C, Control mechanism (Evac 910, Squatting toilet)

P/N 5881000 Spare part kit (Evac 90 and 900 model toilets)

P/N	Description	Pcs
5778600	Air filter	1
5778001	Jet carrier complete	2
5778000	Jet carrier complete	1
5778700	Filter	1
5959902	Mini-check valve	1

P/N 6546688 Spare part kit

(Evac 910 and 912 model toilets, toilet with Autoflush unit, Stainless steel toilet, Squatting toilet)

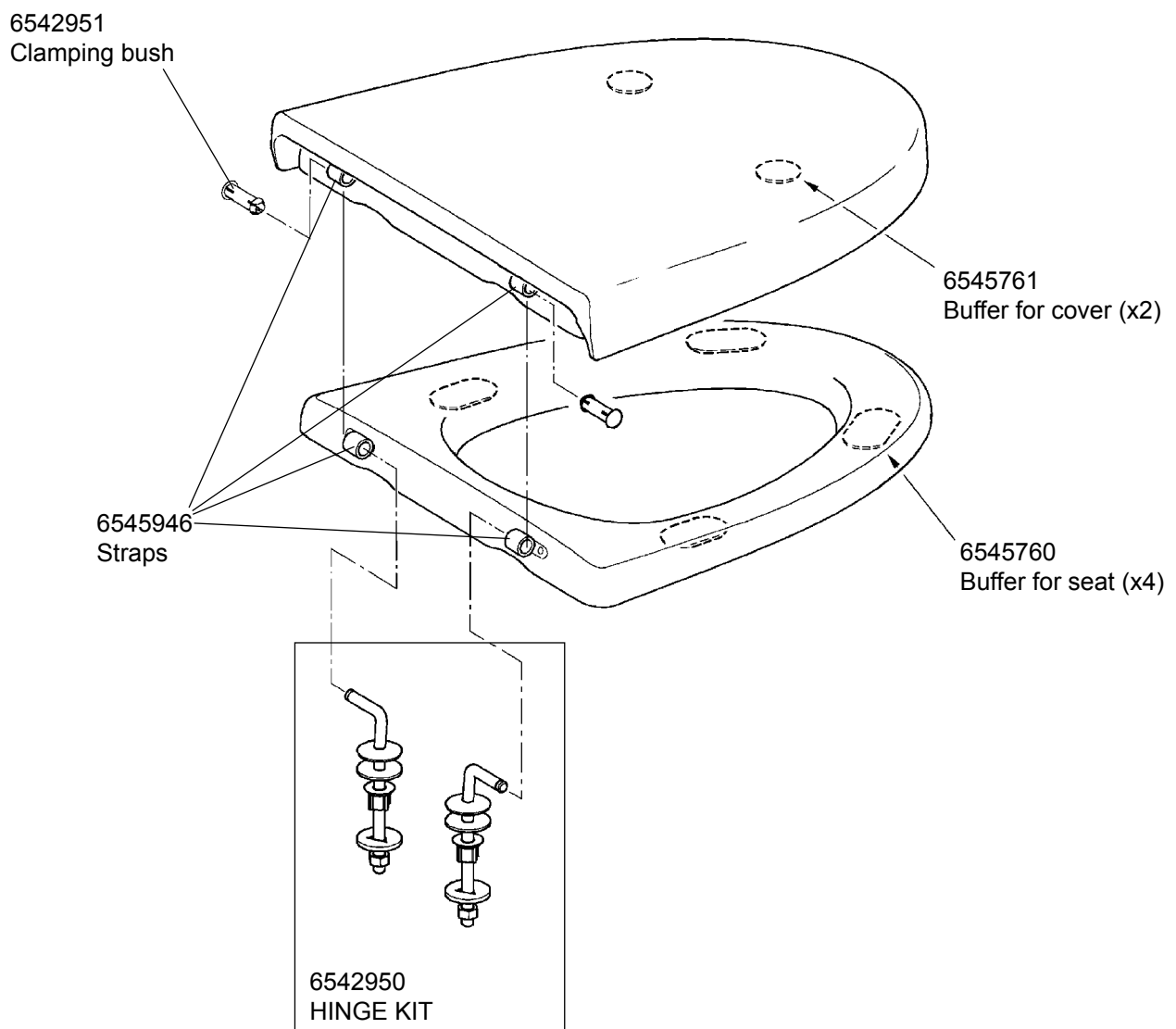
P/N	Description	Pcs
5778600	Air filter	1
5778001	Jet carrier complete	2
5778000	Jet carrier complete	1
5778700	Filter	1
6545052	Mini-check valve kit	1

VACUUM TOILET

**6542928 PRESTIGE, SEAT AND COVER (not sold as a single item)
FOR EVAC 900 AND 910 WALL MODEL TOILETS**

P/N 6542928 is replaced by P/N 6546818

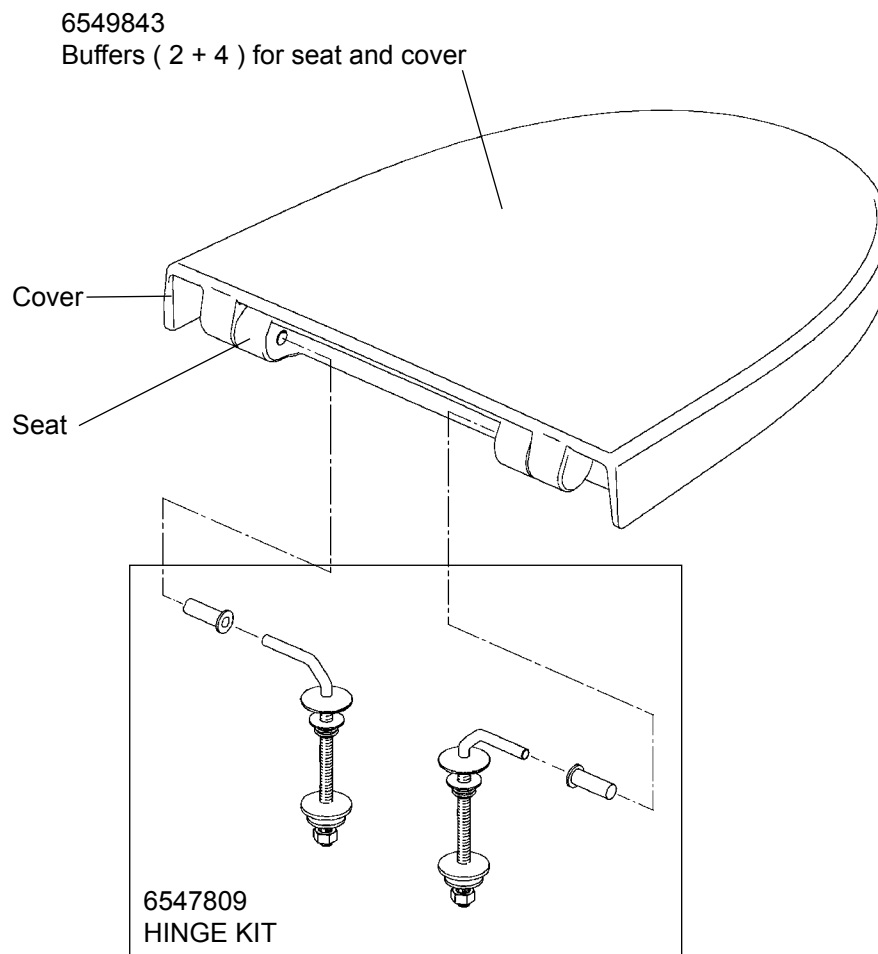
Prestige seat and cover fulfills ANSI Z124.5 - 1997 [Plastic Toilet (Water closet) Seats] requirements.



VACUUM TOILET

6546818 PRESTIGE, SEAT AND COVER

Prestige seat and cover fulfills ANSI Z124.5 - 1997 (Plastic Toilet Seats (Water closet)) requirements.



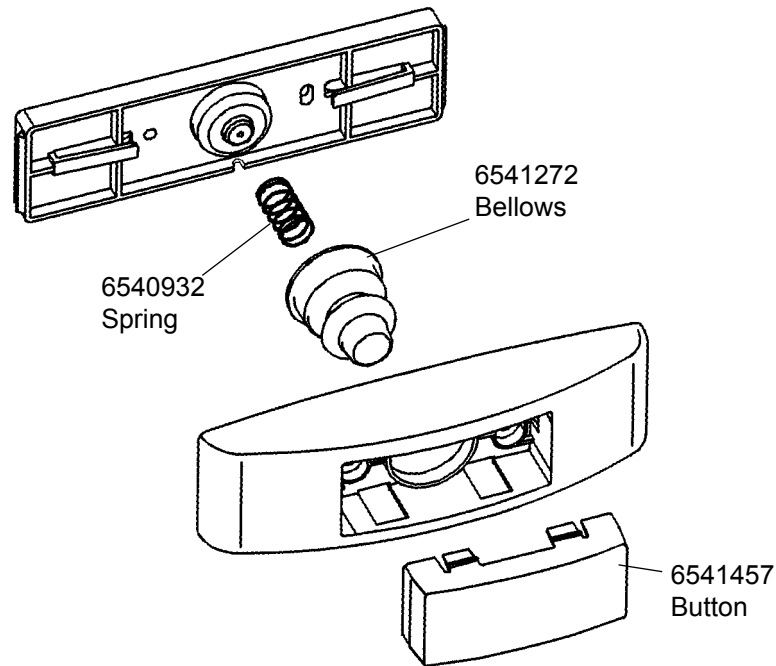
VACUUM TOILET

6541458 PNEUMATIC PUSH BUTTON (EVAC 900, 910 AND 912 WALL MODEL TOILETS)

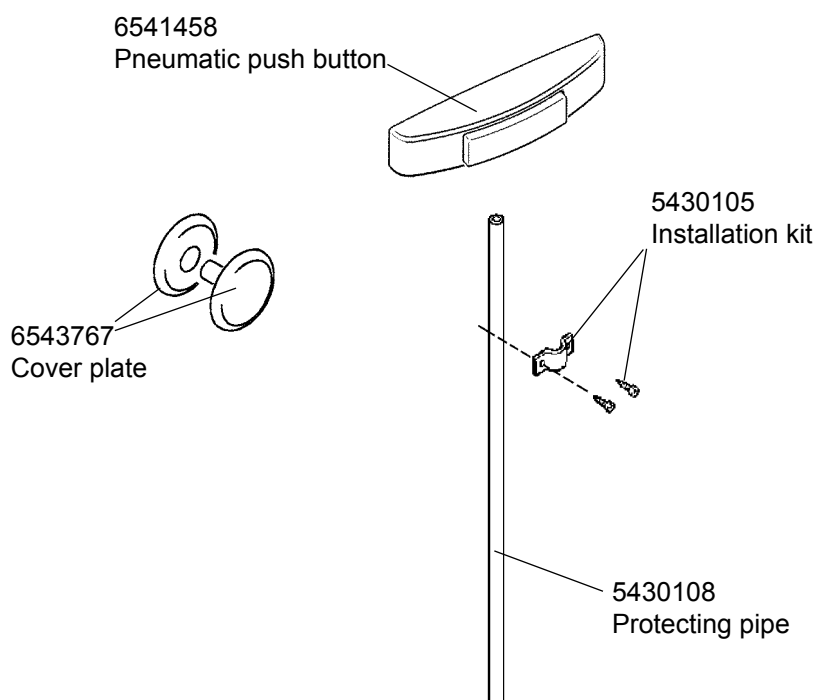
6541057 OPTIONAL PNEUMATIC PUSH BUTTON KIT (EVAC 900 AND 910 FLOOR MODEL TOILETS)

P/N 6541458 Pneumatic push button

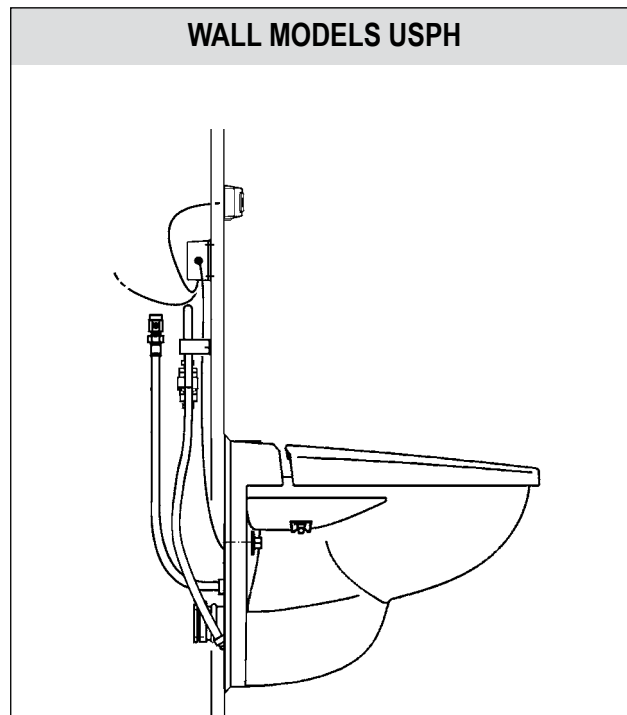
P/N 6540917 is replaced by P/N 6541458



P/N 6541057 Optional pneumatic push button kit



EVAC 900 AND 910 MODEL TOILETS WITH AUTOFLUSH UNIT



[Spare parts](#)

VACUUM TOILET

6540977 EVAC 900, WALL MODEL USPH, PRESTIGE, WHITE WITH AUTOFLUSH UNIT
(not sold as a single item)

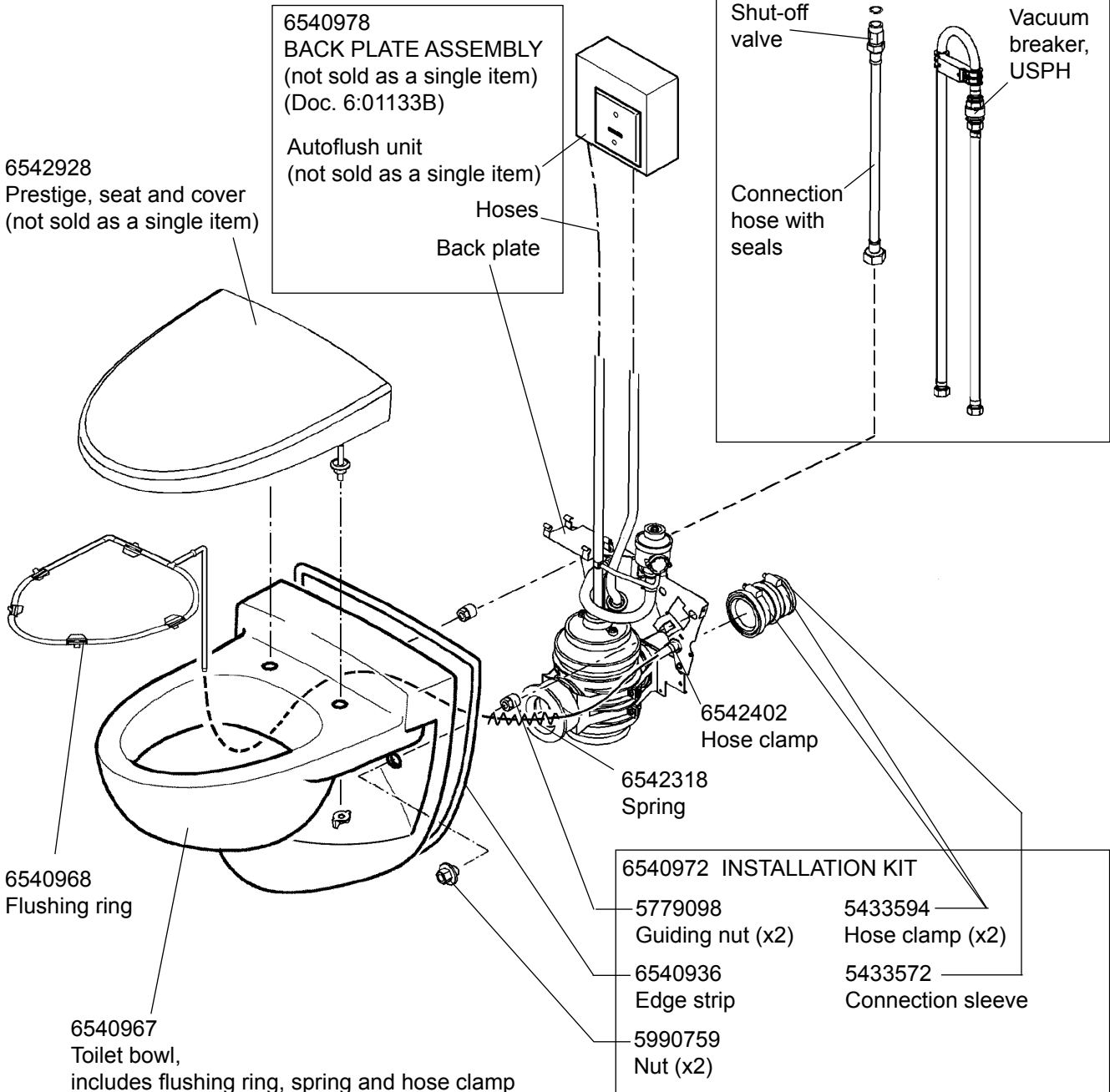
P/N 6540977 is replaced by P/N 6544791

P/N 6542928 is replaced by P/N 6546818

See recommended spare part kits in spare part document:
Doc no. 6:110G Discharge valve
Doc no. 6:01022E Water valve

6541772 WATER SUPPLY KIT
(Doc no. 6:01024J)

Shut-off valve
Connection hose with seals
Vacuum breaker, USPH



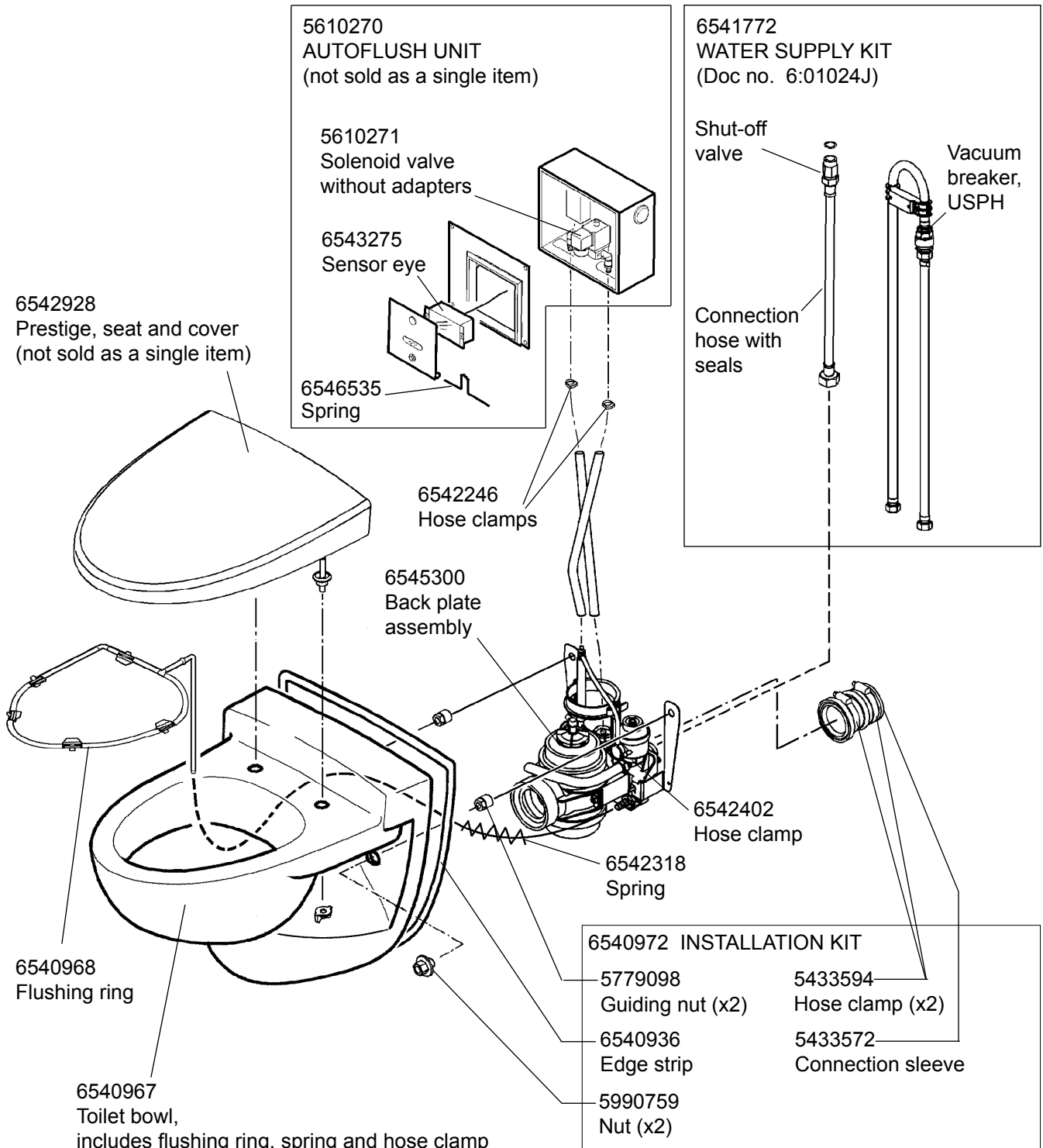
VACUUM TOILET

6544791 EVAC 910, WALL MODEL USPH, PRESTIGE WITH AUTOFLUSH UNIT
(not sold as a single item)

P/N 6544791 is replaced by P/N 6545818

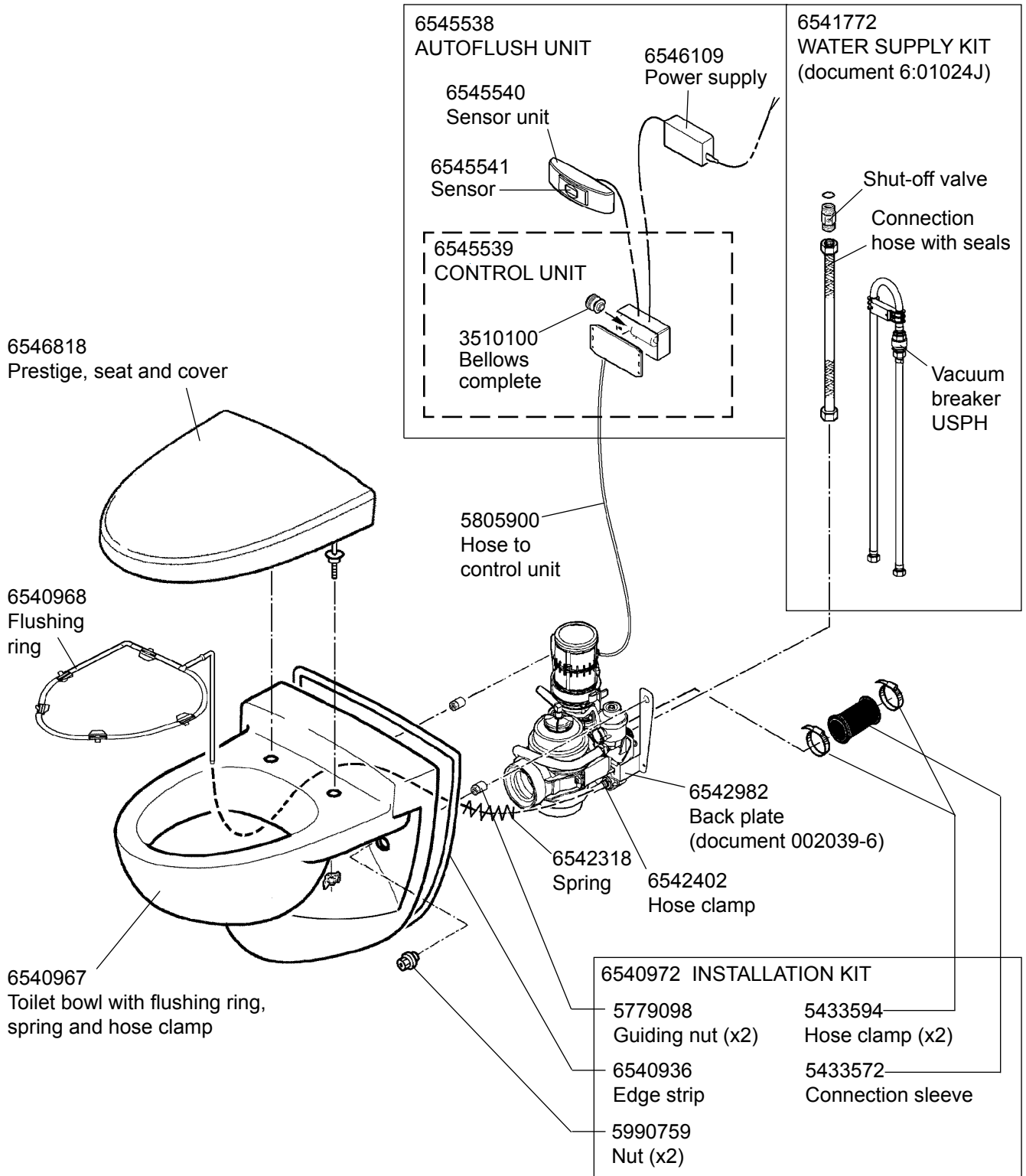
P/N 6542928 is replaced by P/N 6546818

See recommended spare part kits in spare part document:
Doc no. 001923-4 Water valve



VACUUM TOILET

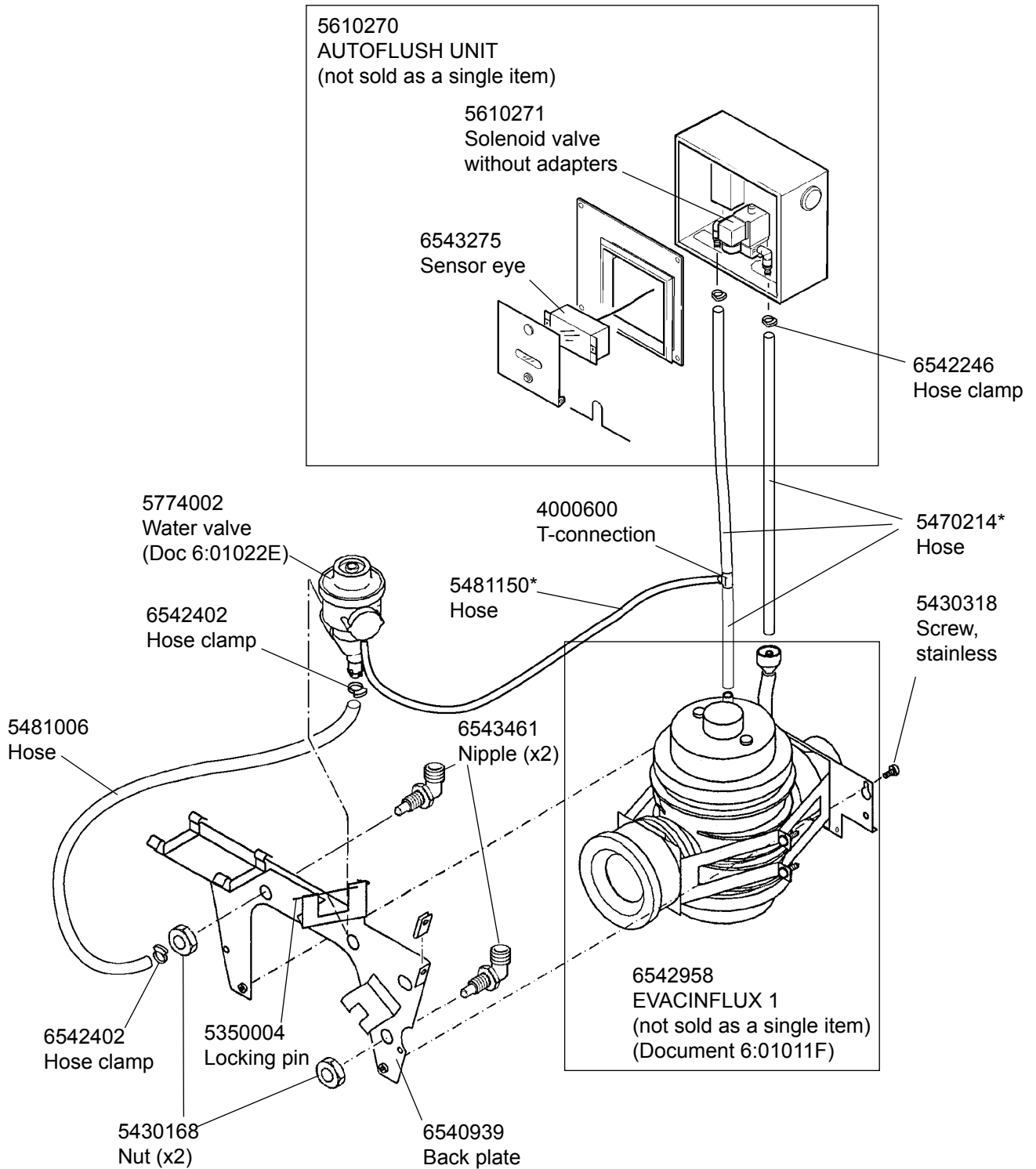
6545818 EVAC 910, WALL MODEL USPH, PRESTIGE WITH AUTOFLUSH UNIT



VACUUM TOILET

6540978 BACK PLATE ASSEMBLY WITH AUTOFLUSH UNIT, EVAC 900, WALL MODELS USPH
 (not sold as a single item)

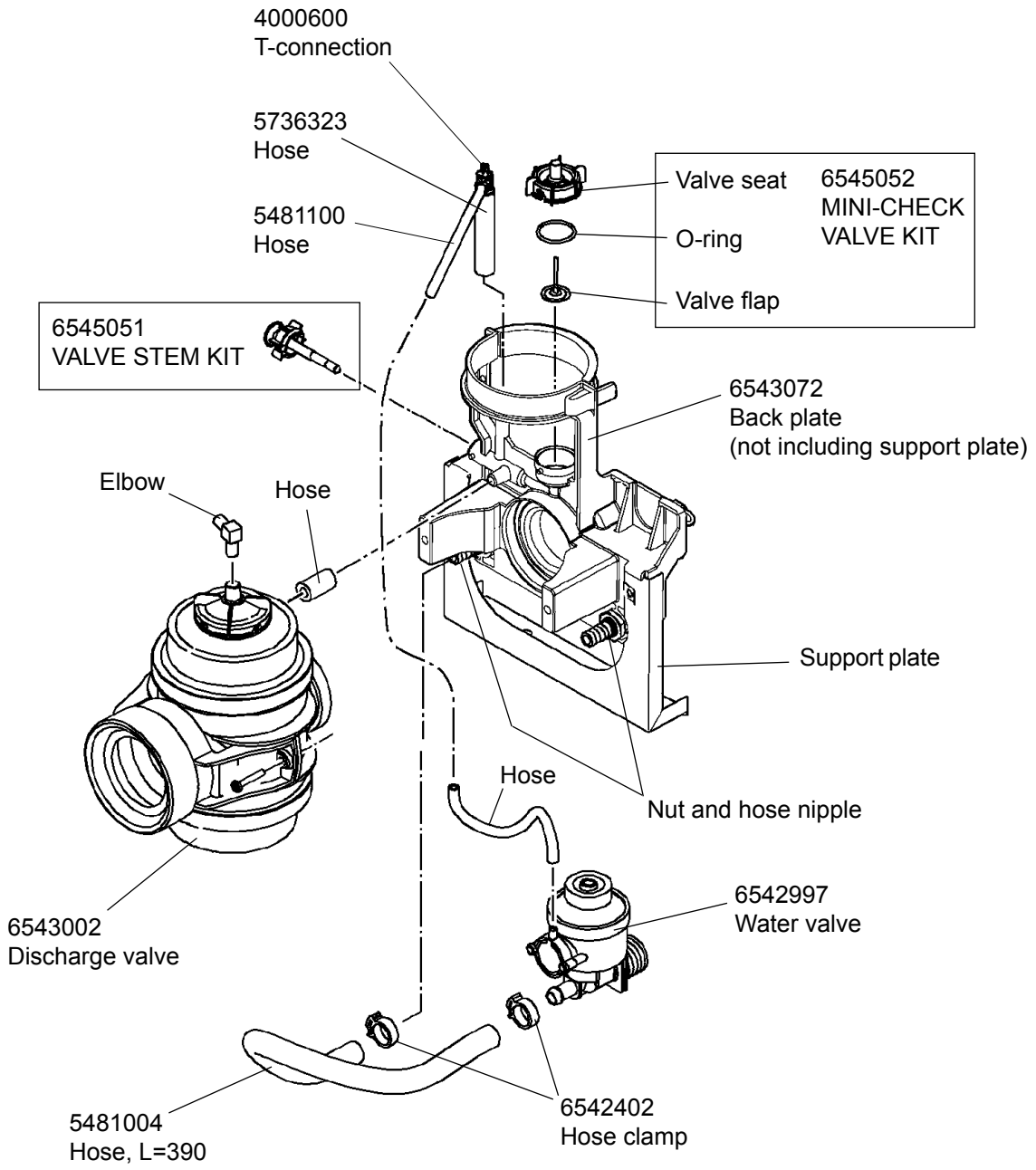
P/N 6542958 is replaced by P/N 6544801



* Available as 1 meter long hose (P/N 5470214 and P/N 5481150).

VACUUM TOILET

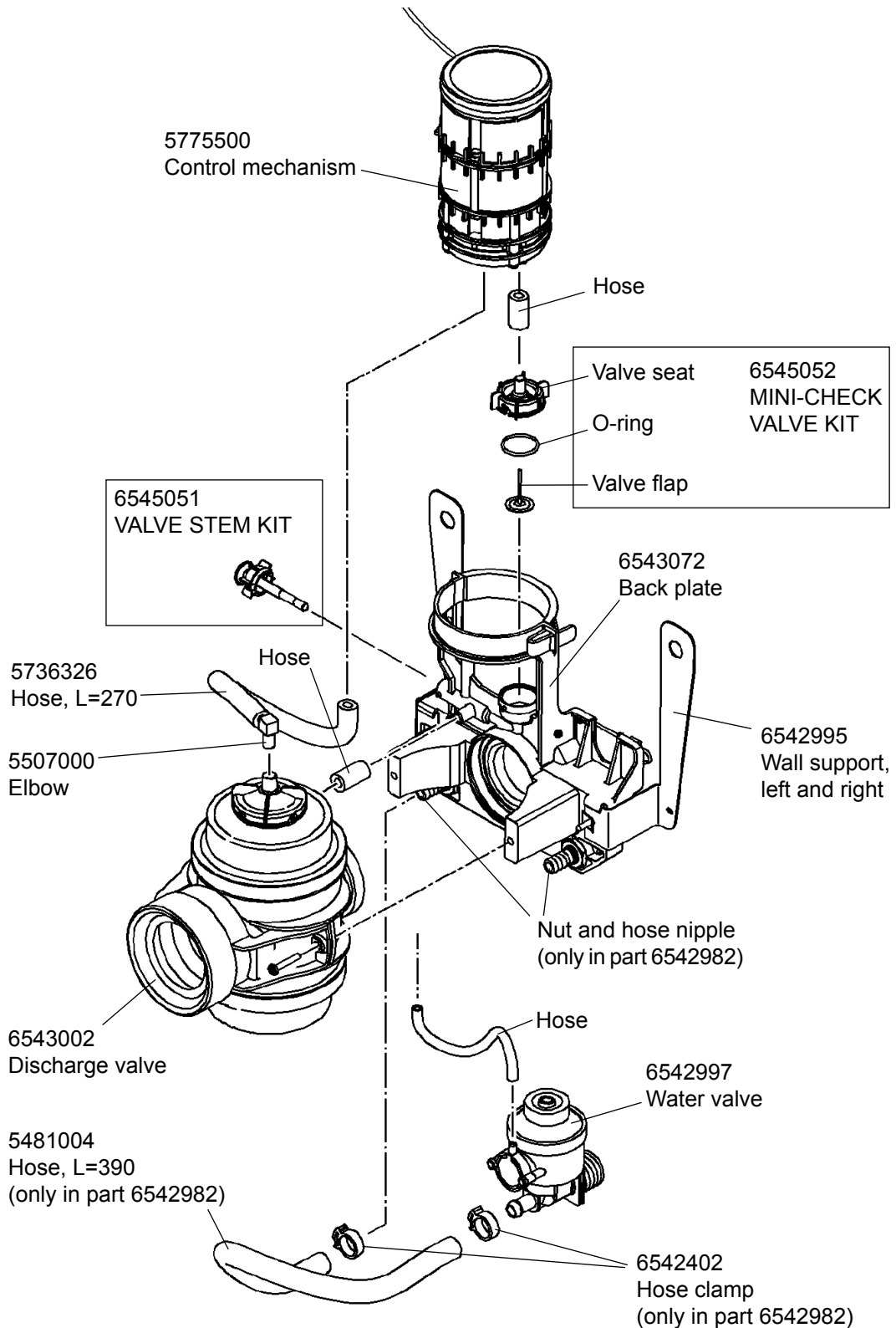
6545300 BACK PLATE, EVAC 910, FLOOR MODEL USPH WITH AUTOFLUSH UNIT



VACUUM TOILET

6542981 BACK PLATE ASSEMBLY, EVAC 910 AND 912, WALL MODELS

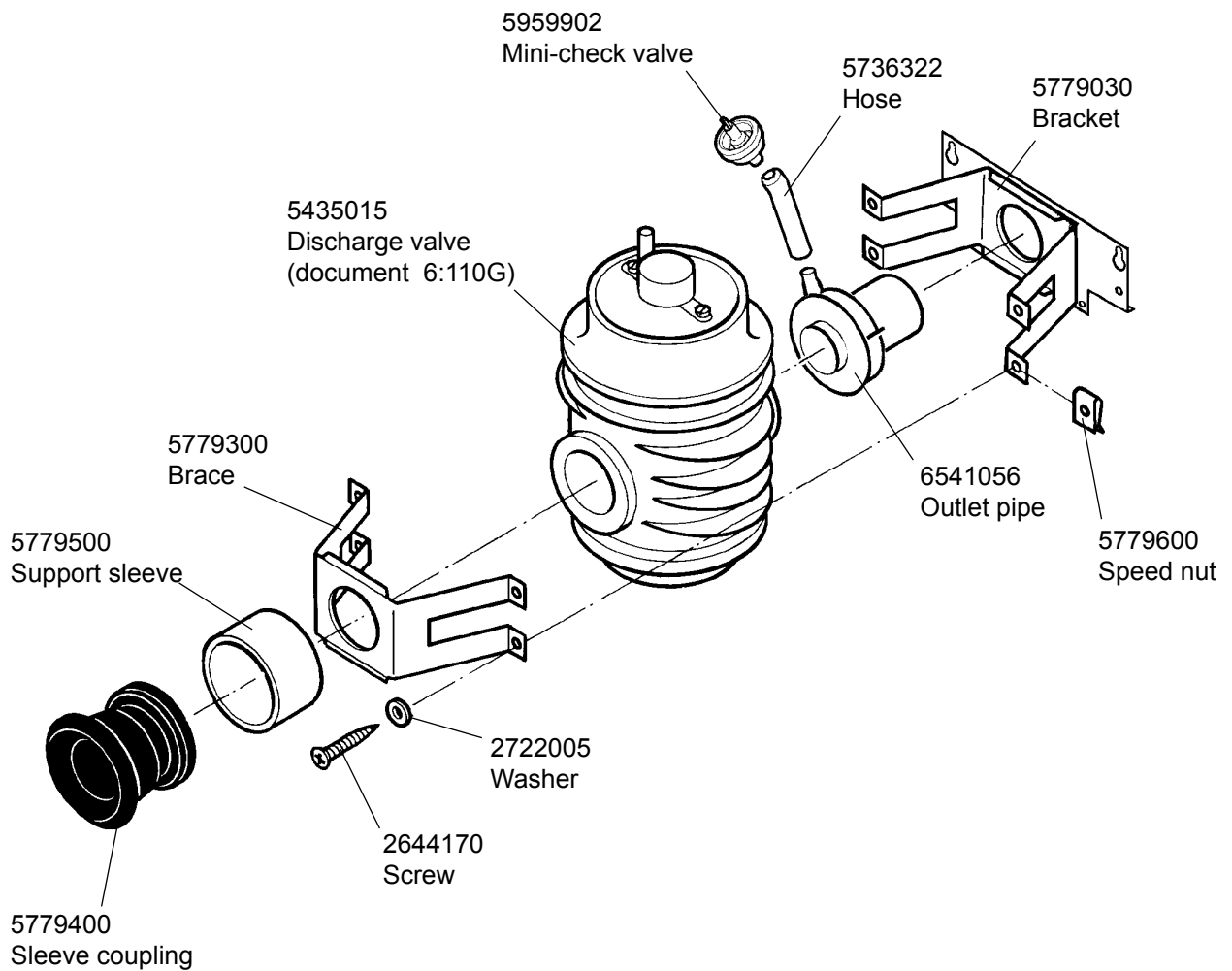
6542982 BACK PLATE ASSEMBLY, EVAC 910, WALL MODELS USPH



VACUUM TOILET

6542958 EVACINFLUX 1, DISCHARGE VALVE ASSEMBLY FOR EVAC 90/900 TOILETS WITH STEEL BACK PLATE , (not sold as a single item)

P/N 5779210 and P/N 6542958 are replaced by P/N 6544801

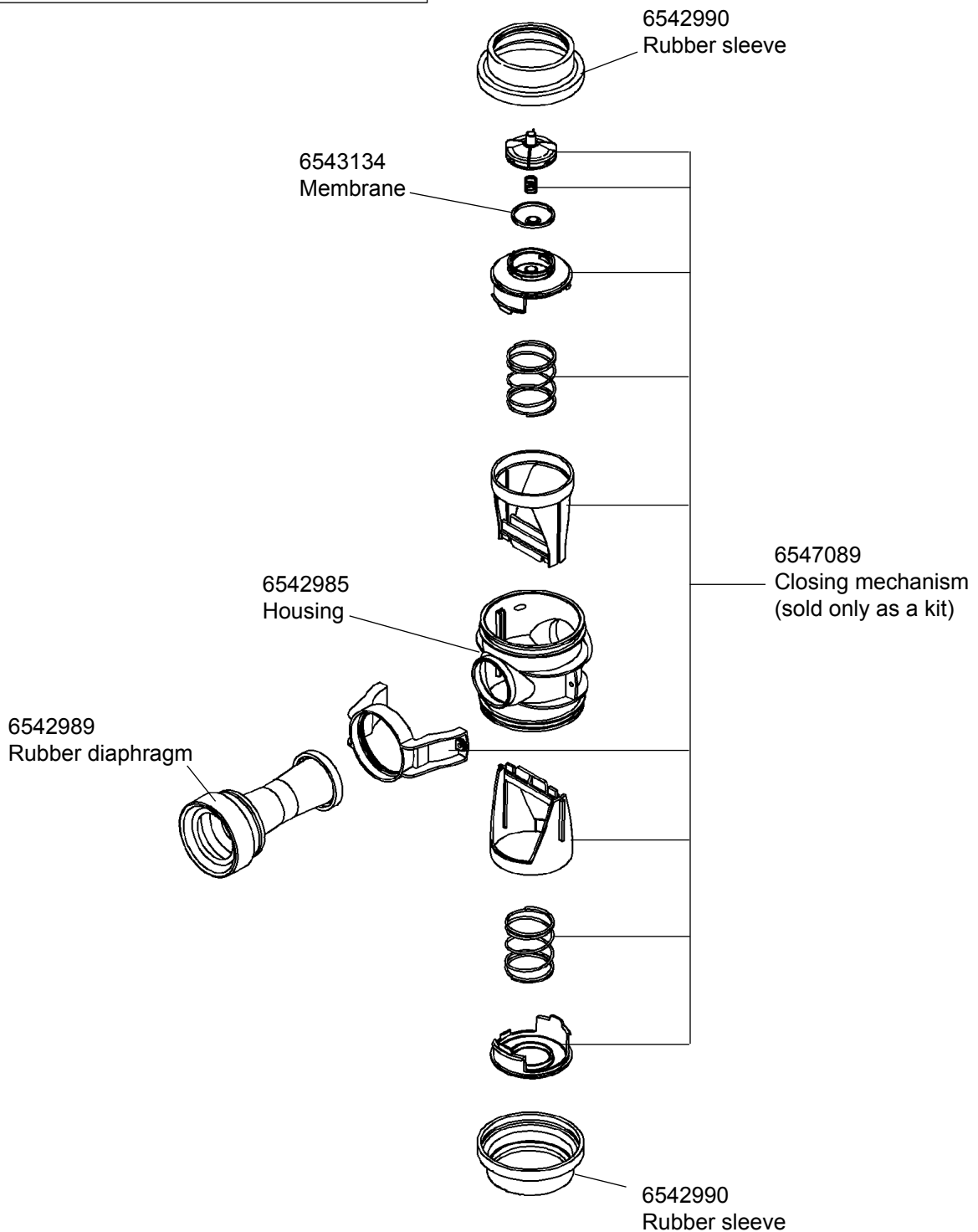


VACUUM TOILET

6543002 DISCHARGE VALVE

6545041 RECOMMENDED SPARE PART KIT:

- 1 x 6542989 Rubber diaphragm
- 2 x 6542990 Rubber sleeve
- 1 x 6543134 Membrane



VACUUM TOILET

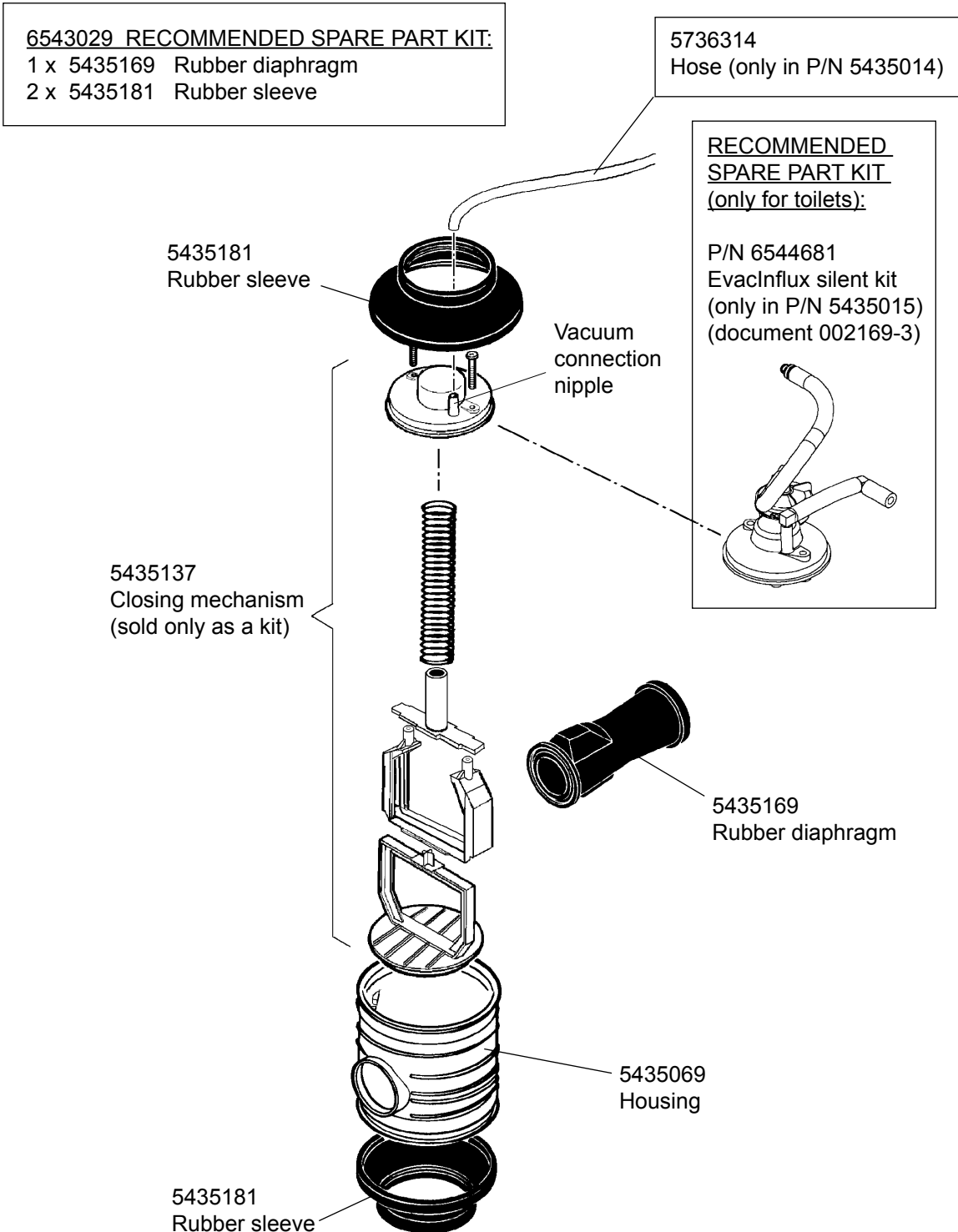
5435014 DISCHARGE VALVE

5435015 DISCHARGE VALVE

P/N 43501.3 and P/N 5435013 are replaced by P/N 5435014

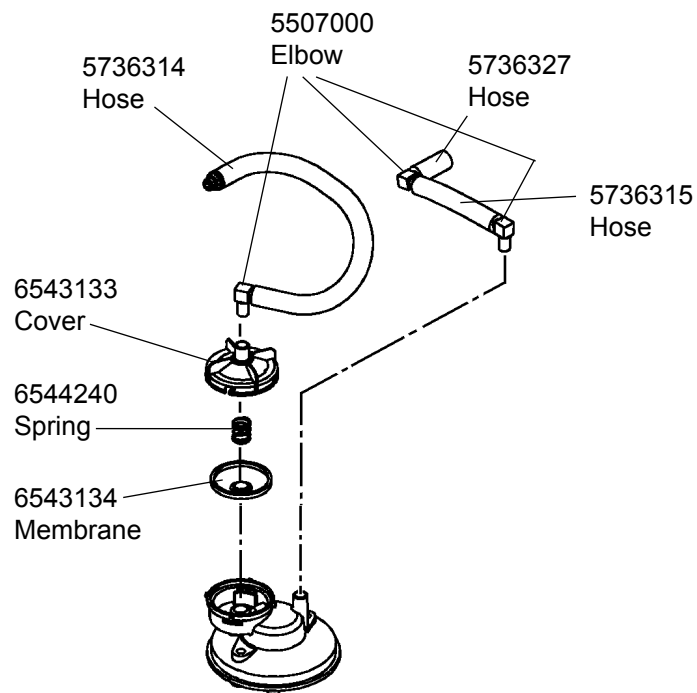
P/N 5435015 Discharge valve (see diagram below).

P/N 5435014 Discharge valve includes Discharge valve P/N 5435015 + Hose (L = 210 mm) P/N 5736314.



VACUUM TOILET

6544681 EVACINFLUX SILENT KIT

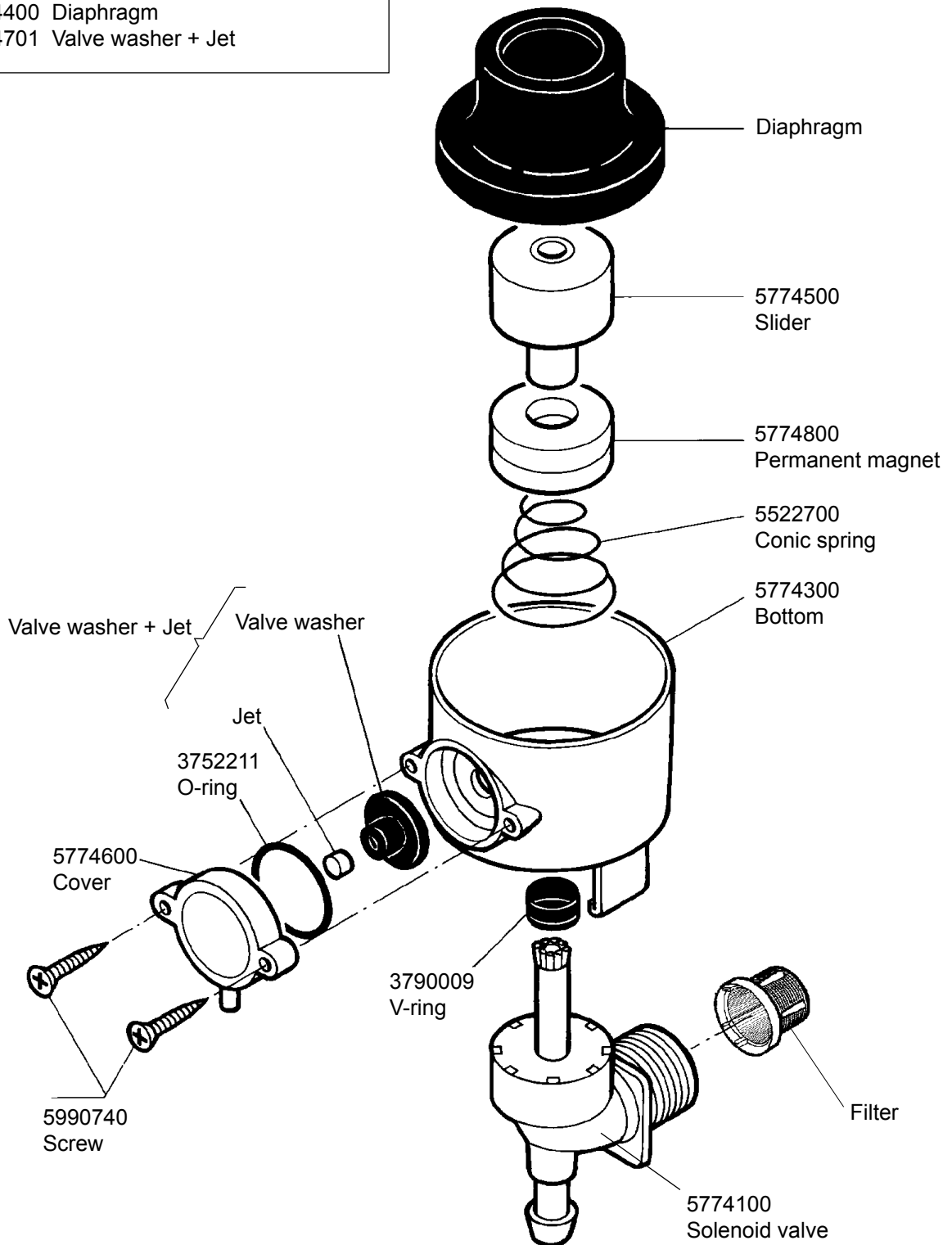


VACUUM TOILET

5774002 WATER VALVE

6543030 RECOMMENDED SPARE PART KIT:

- 1 x 3790009 V-ring
- 1 x 5774150 Filter
- 1 x 5774400 Diaphragm
- 1 x 5774701 Valve washer + Jet

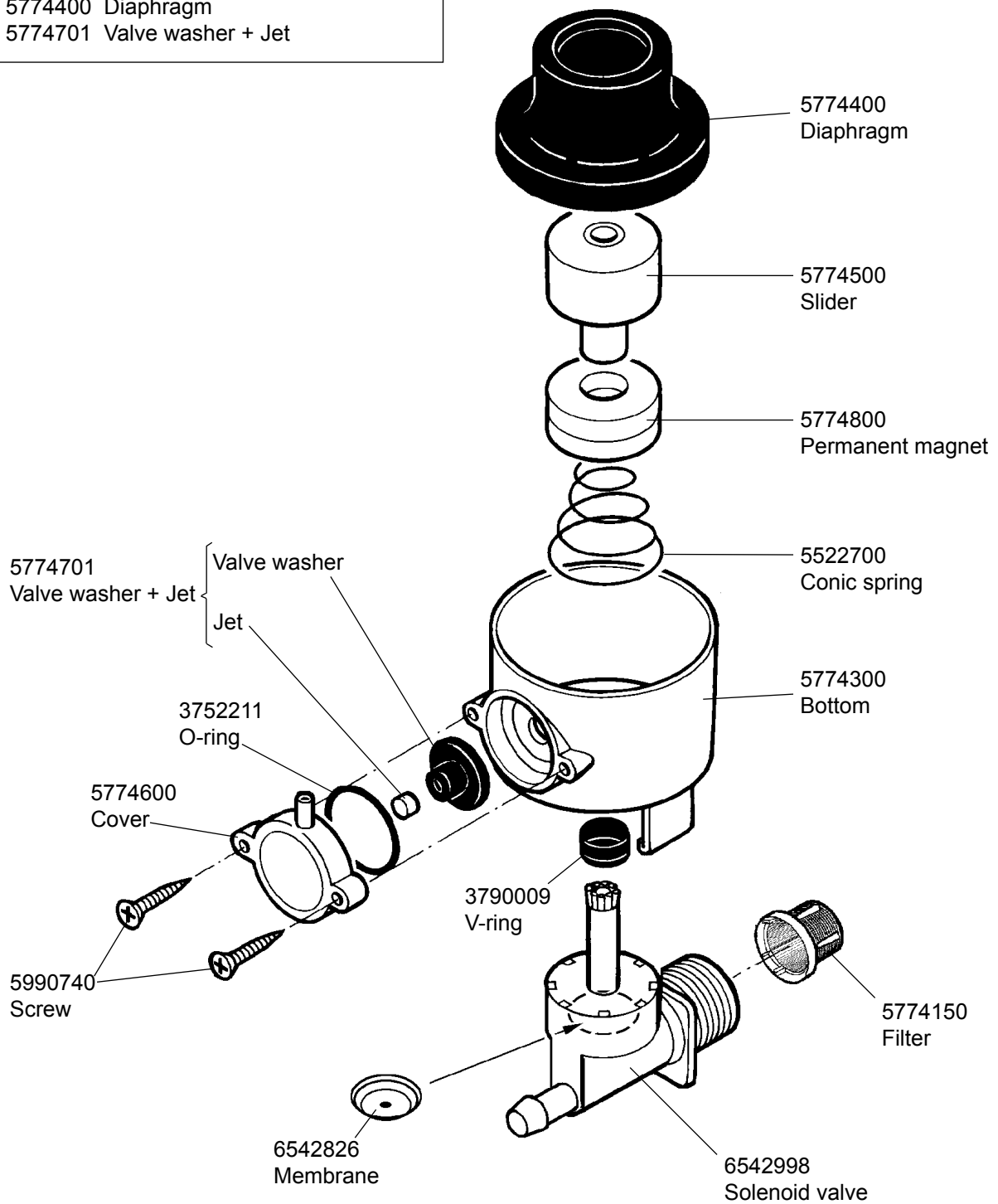


VACUUM TOILET

6542997 WATER VALVE

6543030 RECOMMENDED SPARE PART KIT:

- 1 x 3790009 V-ring
- 1 x 5774150 Filter
- 1 x 5774400 Diaphragm
- 1 x 5774701 Valve washer + Jet



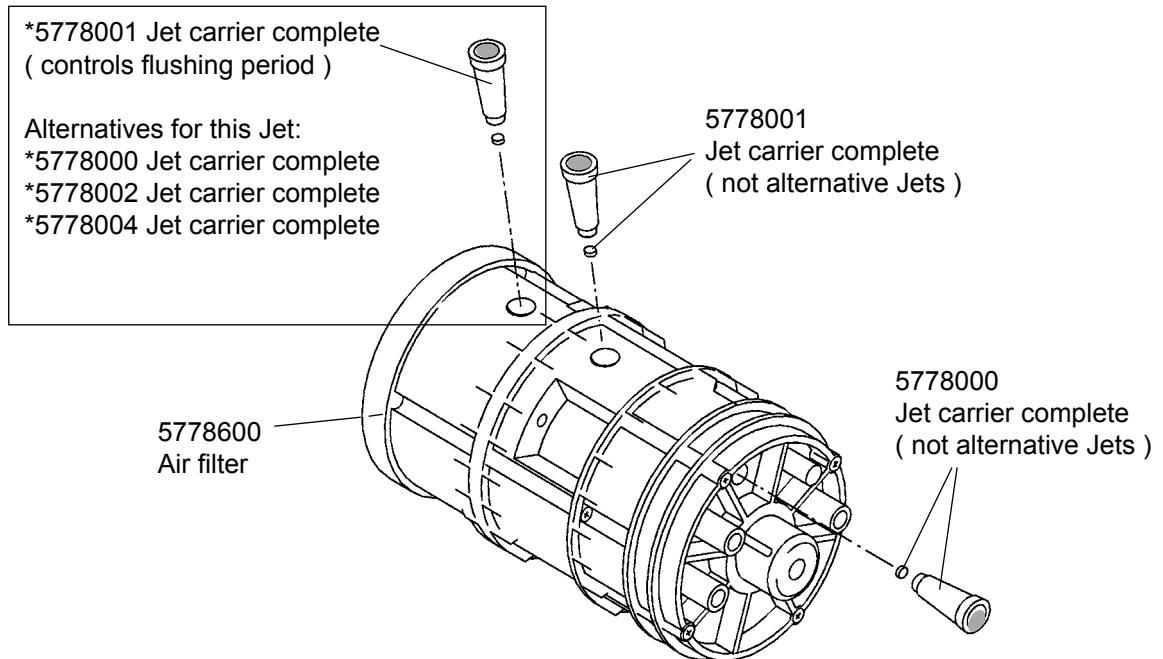
VACUUM TOILET

5775500 CONTROL MECHANISM

5881000 SPARE PART KIT FOR CONTROL MECHANISM (EVAC 90 AND 900 MODEL TOILETS)

6546688 SPARE PART KIT FOR CONTROL MECHANISM (EVAC 910 AND 912 MODEL TOILETS, TOILET WITH AUTOFLUSH UNIT, STAINLESS STEEL TOILET, SQUATTING TOILET)

P/N 5775500 Control mechanism



* Jet carrier identification:

P/N	Colour	Size	Effect
5778004	Yellow	0.20	Extra long flushing period
5778000	White	0.30	Long flushing period
5778001	Blue	0.40	Normal flushing period
5778002	Red	0.50	Short flushing period

! NOTE: See also the operation and maintenance documents:

Doc. 3:111E, Control mechanism (Evac 90 and 900 model toilets)

Doc. 002032-3, Control mechanism (Evac 910 model toilets)

Doc. 002474-2, Control mechanism (Evac 910 Stainless steel toilets)

Doc. 3:01103C, Control mechanism (Evac 910, Squatting toilet)

P/N 5881000 Spare part kit (Evac 90 and 900 model toilets)

P/N	Description	Pcs
5778600	Air filter	1
5778001	Jet carrier complete	2
5778000	Jet carrier complete	1
5778700	Filter	1
5959902	Mini-check valve	1

P/N 6546688 Spare part kit

(Evac 910 and 912 model toilets, toilet with Autoflush unit, Stainless steel toilet, Squatting toilet)

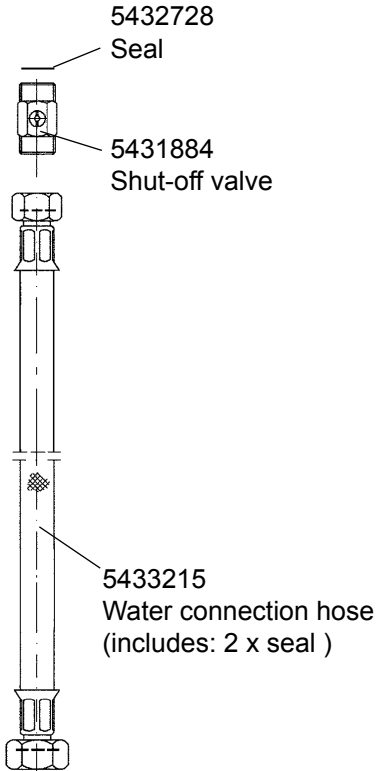
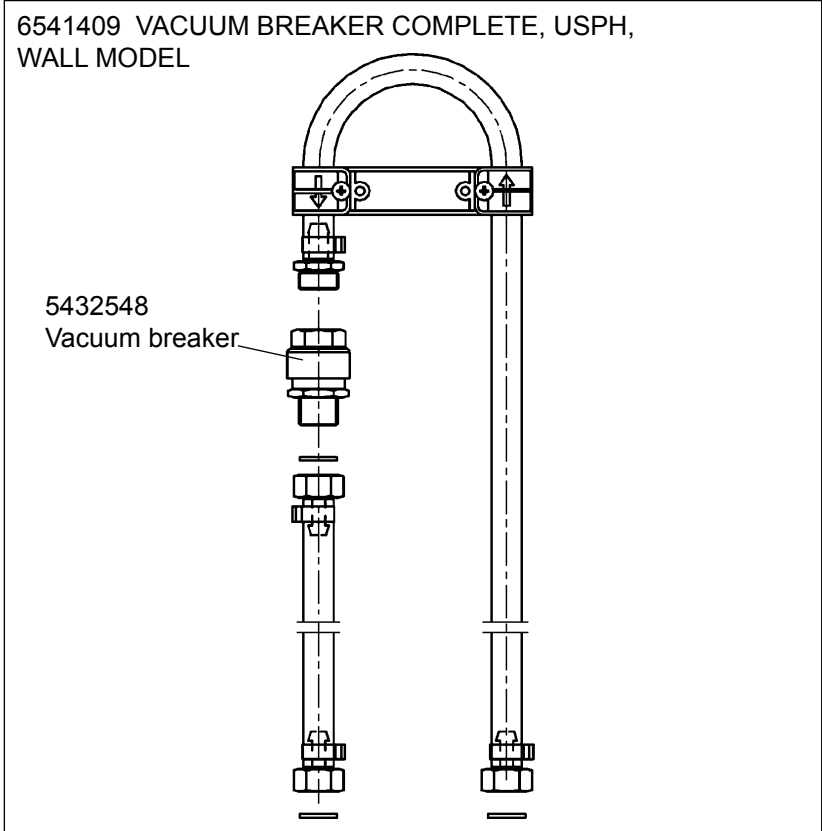
P/N	Description	Pcs
5778600	Air filter	1
5778001	Jet carrier complete	2
5778000	Jet carrier complete	1
5778700	Filter	1
6545052	Mini-check valve kit	1

VACUUM TOILET

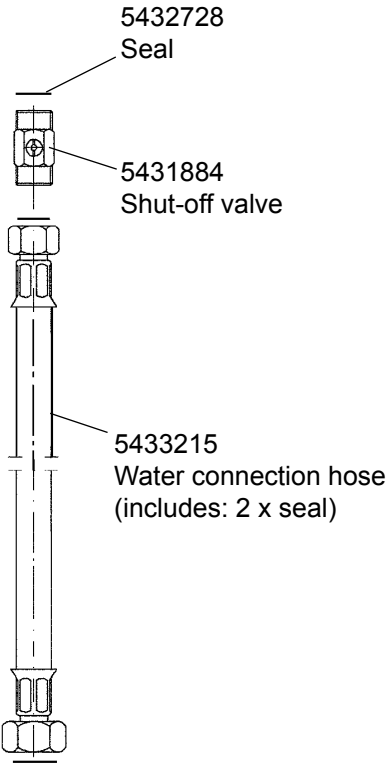
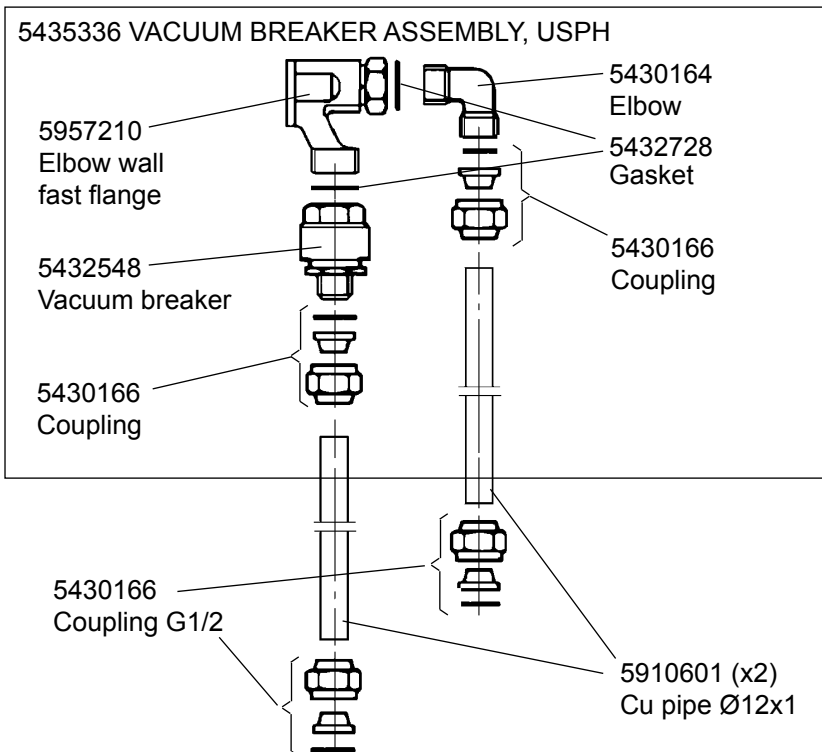
6541772 WATER SUPPLY KIT, USPH, FOR EVAC 900 AND EVAC 910 TOILETS, WALL MODELS

5980802 WATER SUPPLY KIT, USPH, FOR EVAC 90, 900, AND EVAC 910 TOILETS, FLOOR MODELS

P/N 6541772 Water supply kit, USPH



P/N 5980802 Water supply kit, USPH

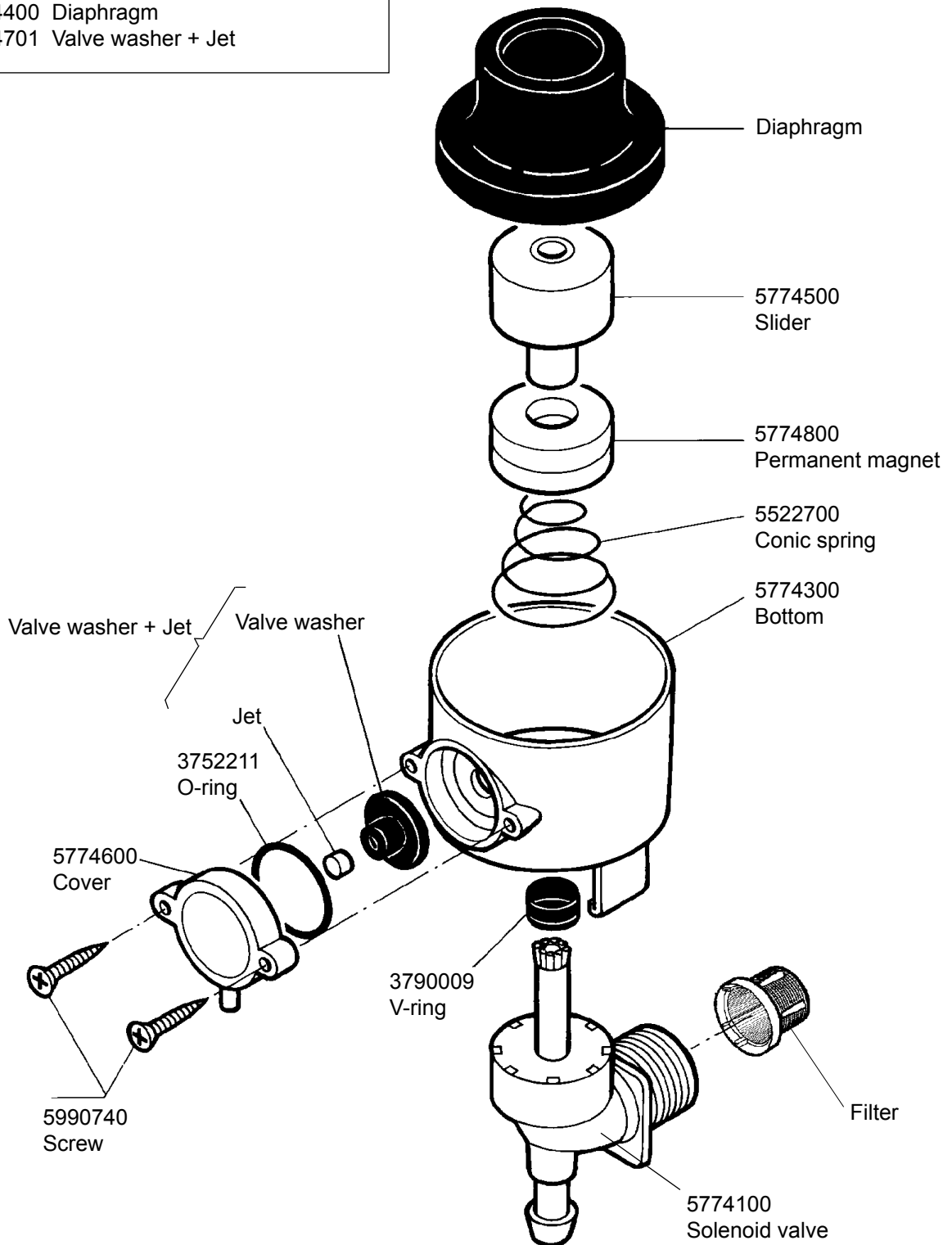


VACUUM TOILET

5774002 WATER VALVE

6543030 RECOMMENDED SPARE PART KIT:

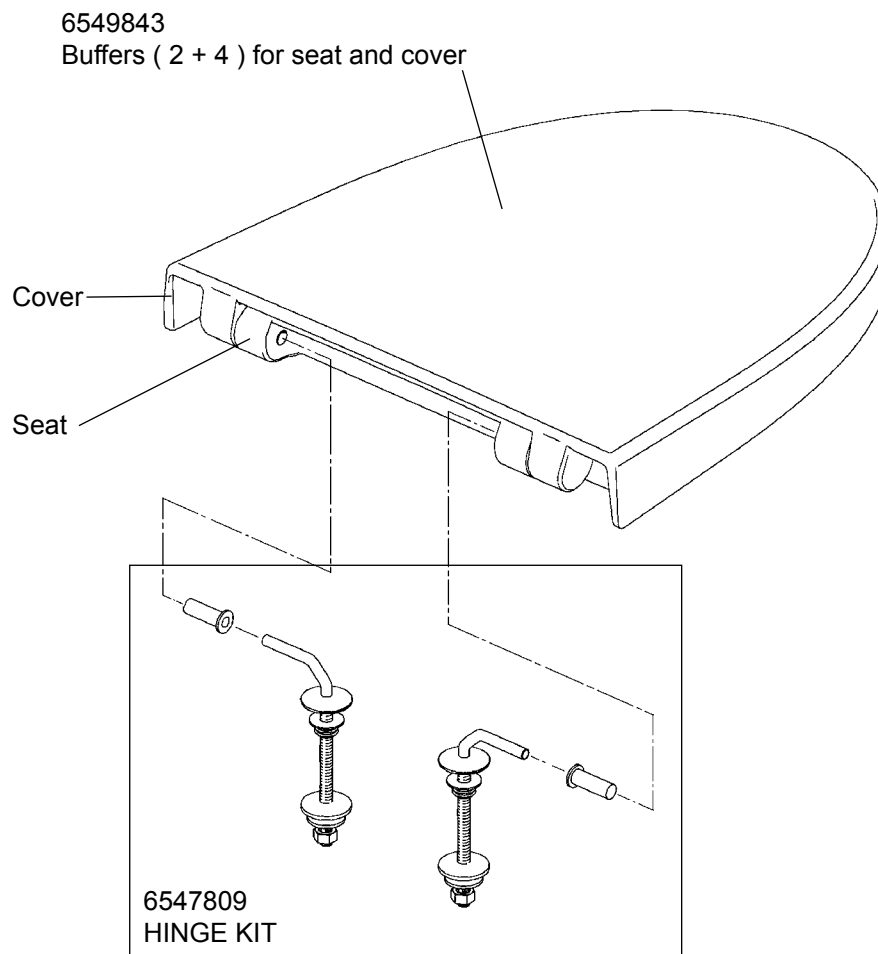
- 1 x 3790009 V-ring
- 1 x 5774150 Filter
- 1 x 5774400 Diaphragm
- 1 x 5774701 Valve washer + Jet



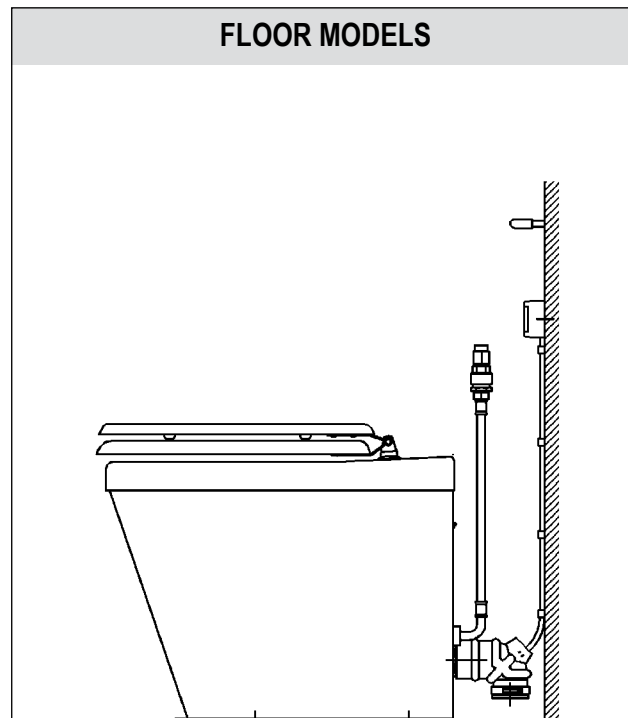
VACUUM TOILET

6546818 PRESTIGE, SEAT AND COVER

Prestige seat and cover fulfills ANSI Z124.5 - 1997 (Plastic Toilet Seats (Water closet)) requirements.



EVAC 90 AND 910 STAINLESS STEEL TOILETS



[Spare parts](#)

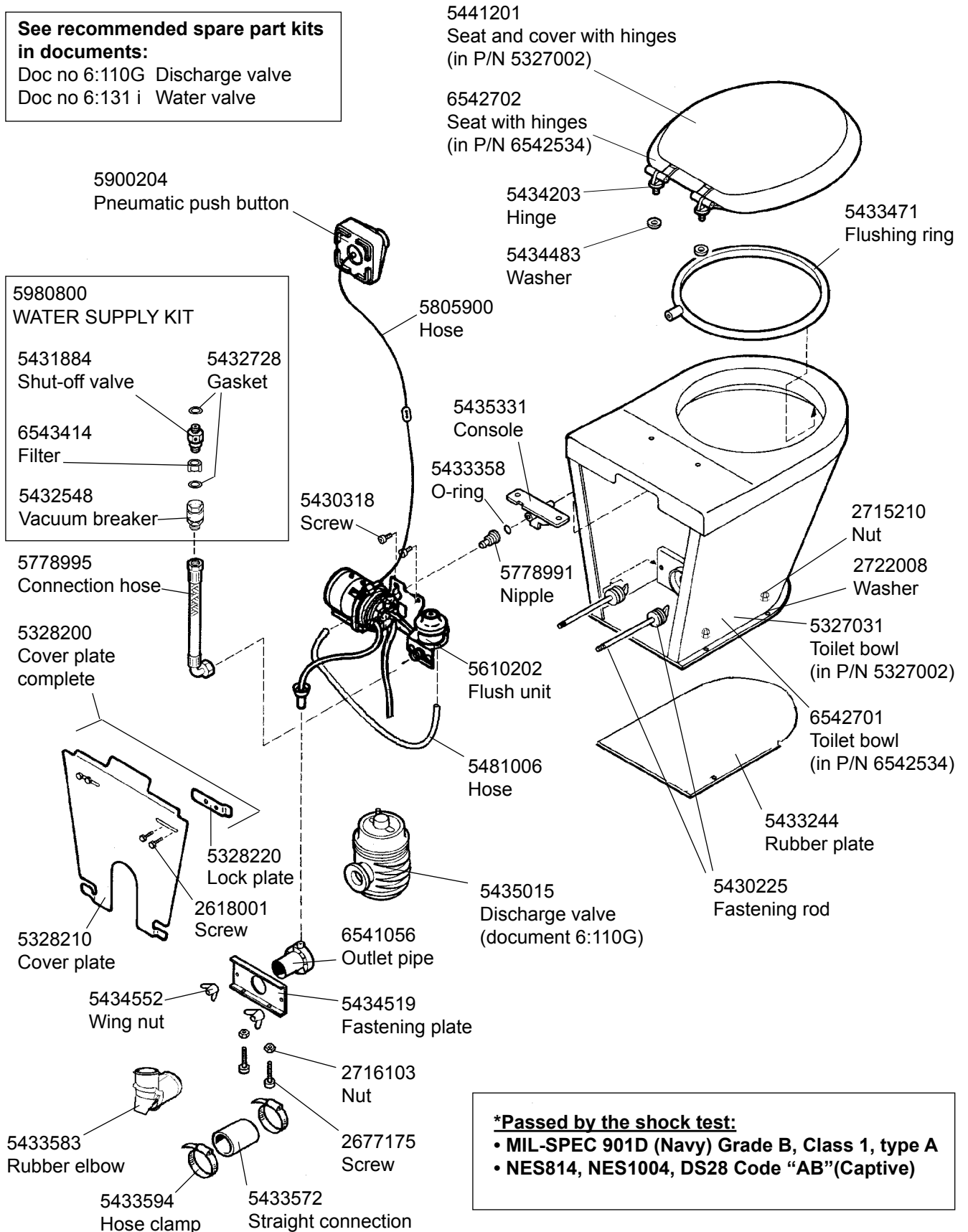
VACUUM TOILET

5327002 EVAC 90, FLOOR MODEL, STAINLESS STEEL, SHOCK TESTED*

6542534 EVAC 90, FLOOR MODEL, STAINLESS STEEL, SEAT WITHOUT COVER, SHOCK TESTED*

See recommended spare part kits in documents:

Doc no 6:110G Discharge valve
Doc no 6:131 i Water valve



***Passed by the shock test:**

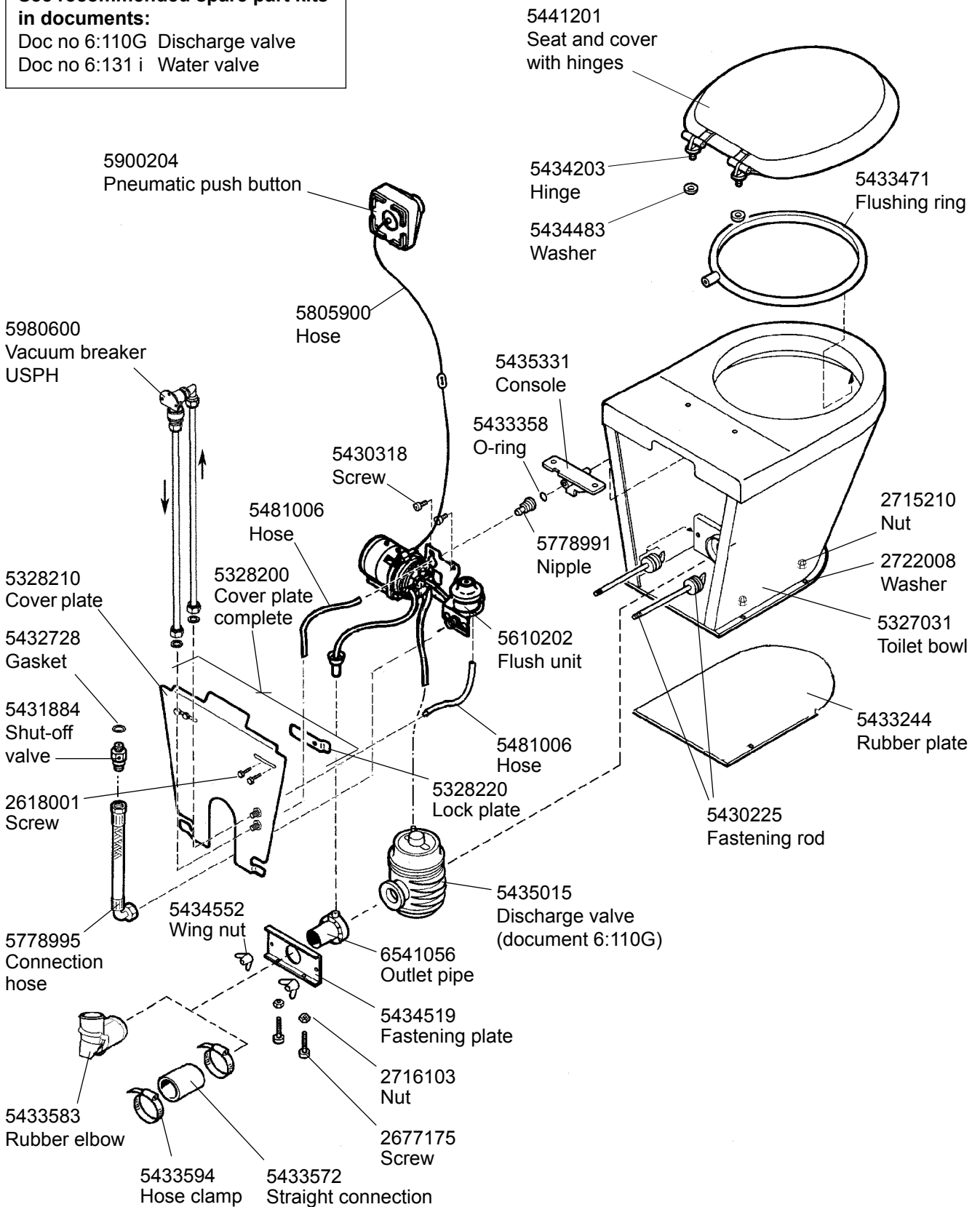
- MIL-SPEC 901D (Navy) Grade B, Class 1, type A
- NES814, NES1004, DS28 Code "AB"(Captive)

VACUUM TOILET

5327004 EVAC 90, STAINLESS STEEL, FLOOR MODEL USPH

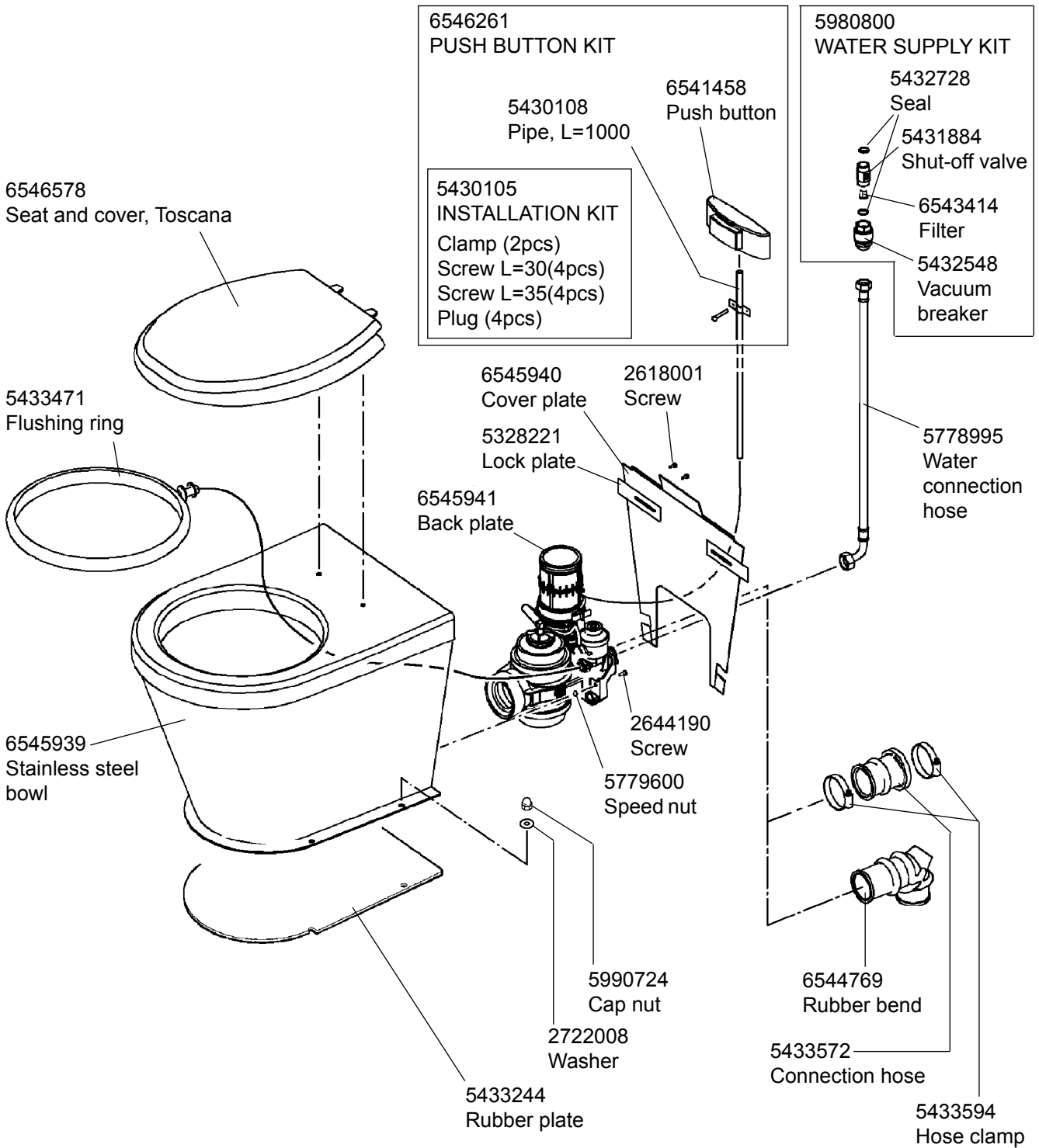
See recommended spare part kits in documents:

Doc no 6:110G Discharge valve
Doc no 6:131 i Water valve



VACUUM TOILET

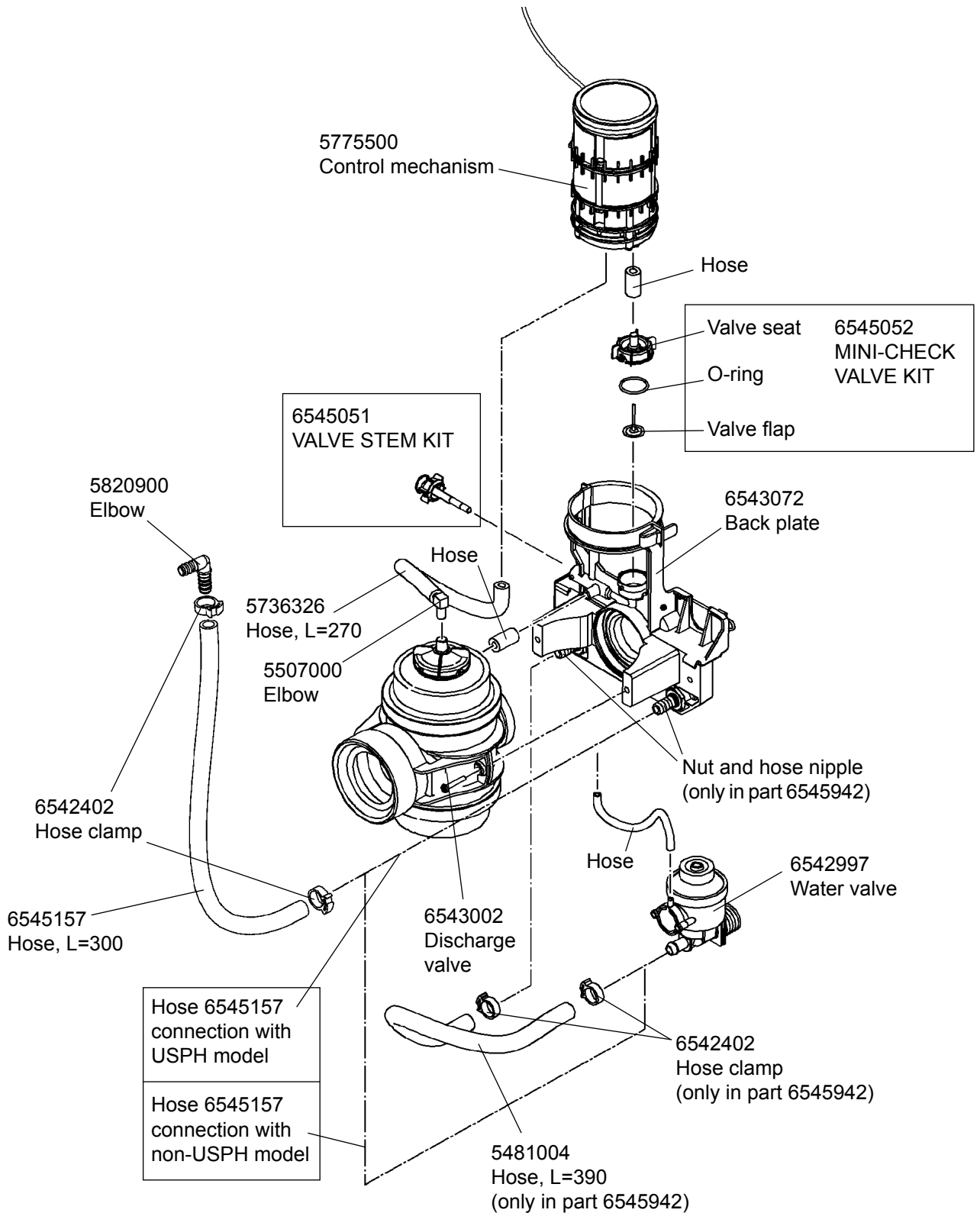
6545960 EVAC 910, STAINLESS STEEL MODEL



VACUUM TOILET

6545941 BACK PLATE ASSEMBLY, EVAC 910, STAINLESS STEEL MODEL

6545942 BACK PLATE ASSEMBLY, EVAC 910, STAINLESS STEEL USPH MODEL

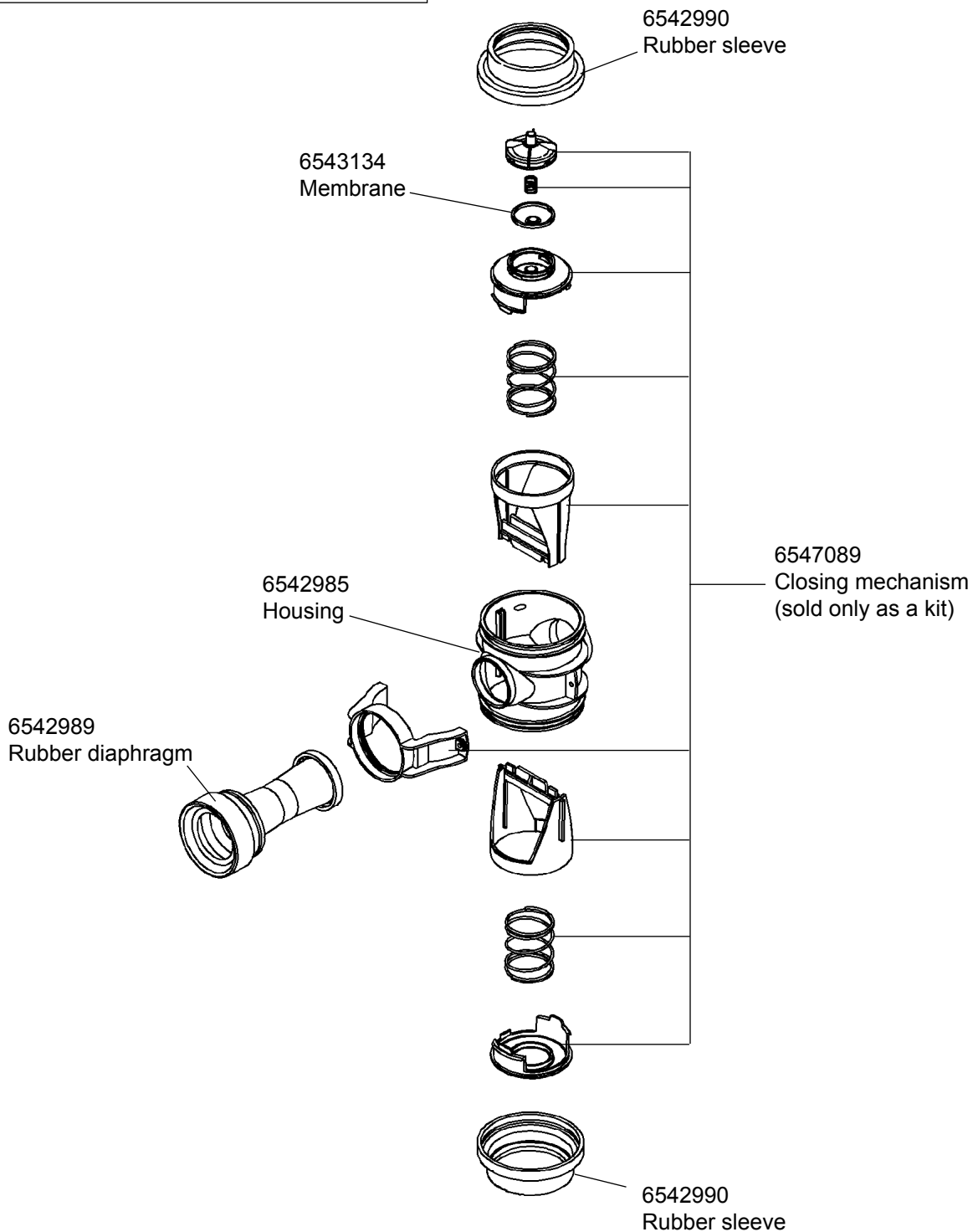


VACUUM TOILET

6543002 DISCHARGE VALVE

6545041 RECOMMENDED SPARE PART KIT:

- 1 x 6542989 Rubber diaphragm
- 2 x 6542990 Rubber sleeve
- 1 x 6543134 Membrane



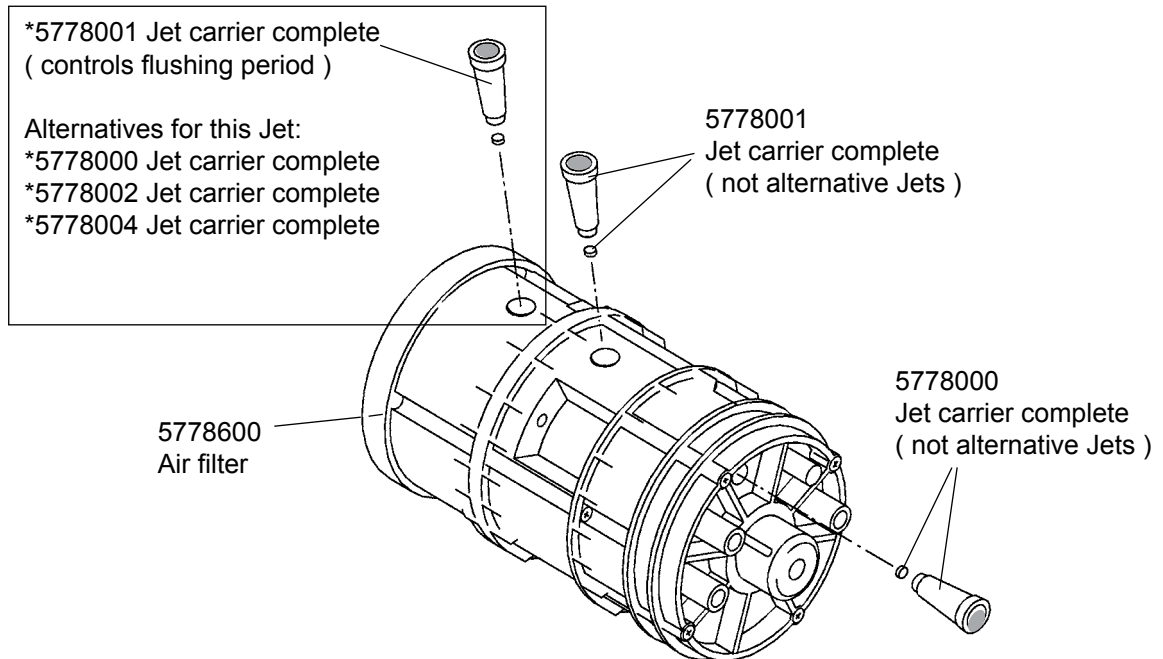
VACUUM TOILET

5775500 CONTROL MECHANISM

5881000 SPARE PART KIT FOR CONTROL MECHANISM (EVAC 90 AND 900 MODEL TOILETS)

6546688 SPARE PART KIT FOR CONTROL MECHANISM (EVAC 910 AND 912 MODEL TOILETS, TOILET WITH AUTOFLUSH UNIT, STAINLESS STEEL TOILET, SQUATTING TOILET)

P/N 5775500 Control mechanism



* Jet carrier identification:

P/N	Colour	Size	Effect
5778004	Yellow	0.20	Extra long flushing period
5778000	White	0.30	Long flushing period
5778001	Blue	0.40	Normal flushing period
5778002	Red	0.50	Short flushing period

! NOTE: See also the operation and maintenance documents:

Doc. 3:111E, Control mechanism (Evac 90 and 900 model toilets)

Doc. 002032-3, Control mechanism (Evac 910 model toilets)

Doc. 002474-2, Control mechanism (Evac 910 Stainless steel toilets)

Doc. 3:01103C, Control mechanism (Evac 910, Squatting toilet)

P/N 5881000 Spare part kit (Evac 90 and 900 model toilets)

P/N	Description	Pcs
5778600	Air filter	1
5778001	Jet carrier complete	2
5778000	Jet carrier complete	1
5778700	Filter	1
5959902	Mini-check valve	1

P/N 6546688 Spare part kit

(Evac 910 and 912 model toilets, toilet with Autoflush unit, Stainless steel toilet, Squatting toilet)

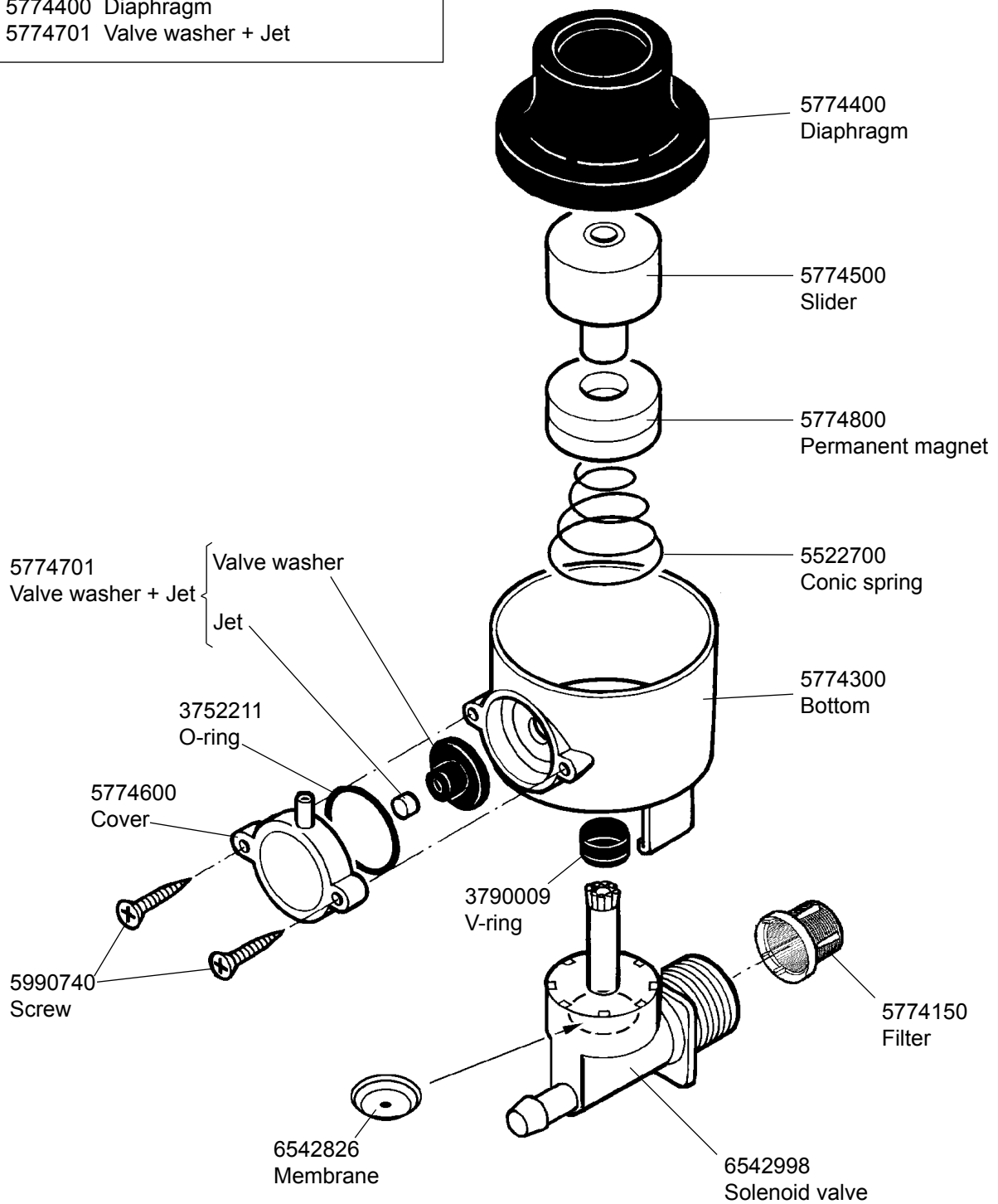
P/N	Description	Pcs
5778600	Air filter	1
5778001	Jet carrier complete	2
5778000	Jet carrier complete	1
5778700	Filter	1
6545052	Mini-check valve kit	1

VACUUM TOILET

6542997 WATER VALVE

6543030 RECOMMENDED SPARE PART KIT:

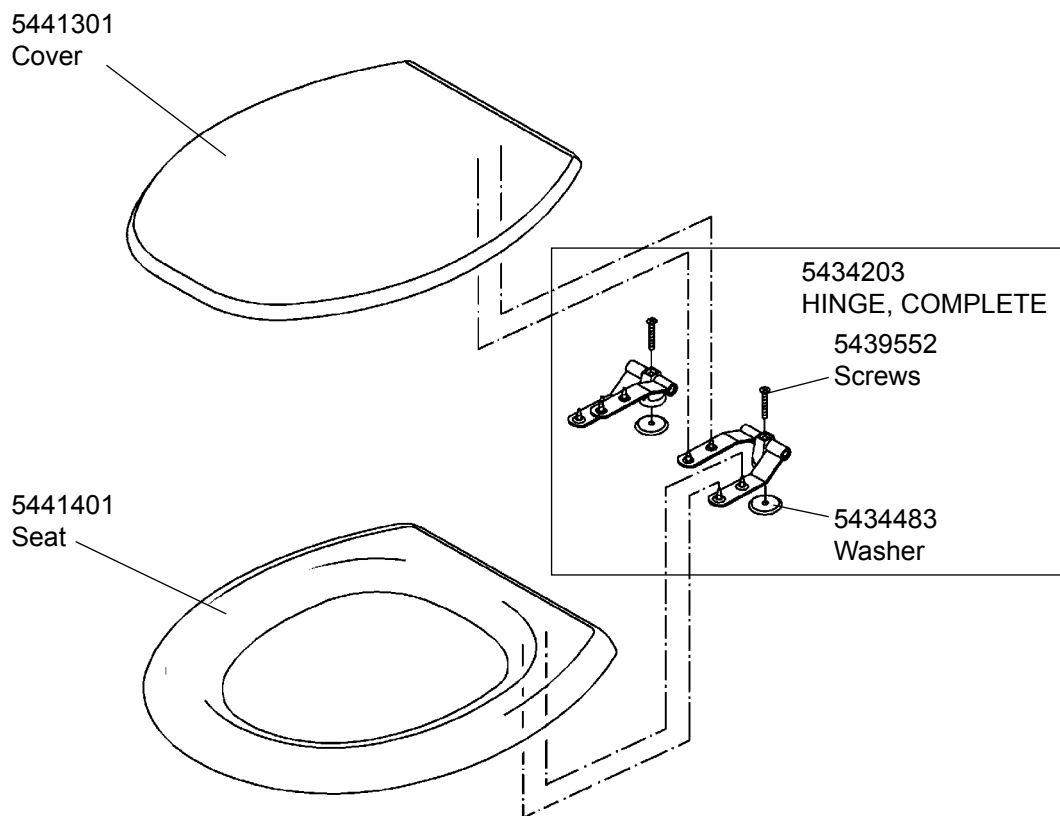
- 1 x 3790009 V-ring
- 1 x 5774150 Filter
- 1 x 5774400 Diaphragm
- 1 x 5774701 Valve washer + Jet



VACUUM TOILET

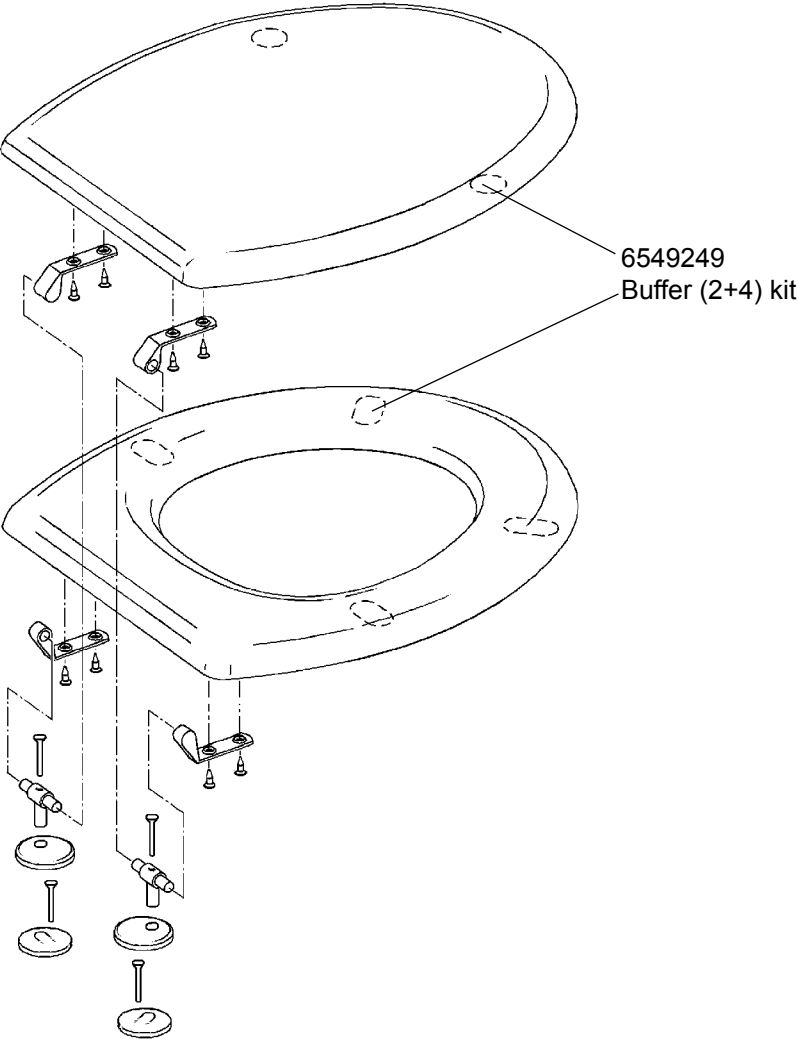
5441201 KANDRE, SEAT AND COVER (not available)

P/N 5441201 is replaced by P/N 6546906



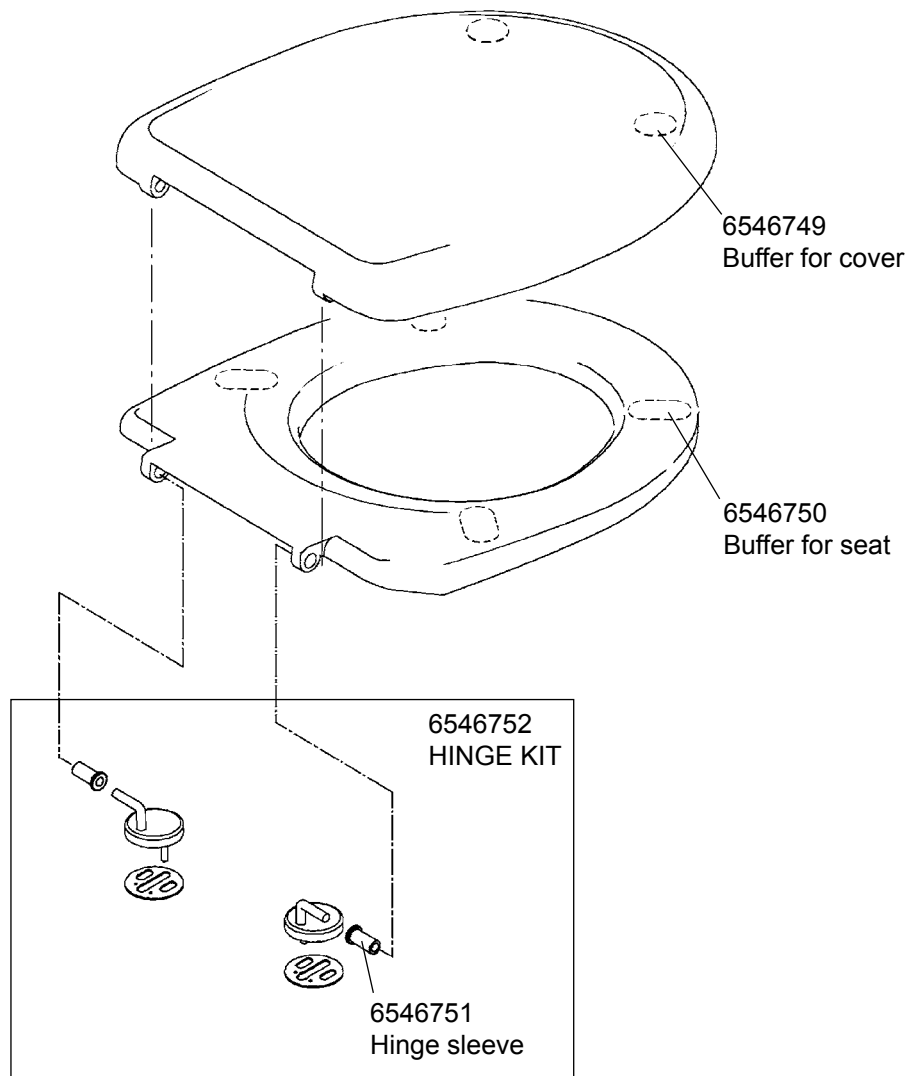
VACUUM TOILET

6546906 SEAT AND COVER, MOON (UPDATED MODEL)



VACUUM TOILET

6546578 EVAC TOSCANA, SEAT AND COVER



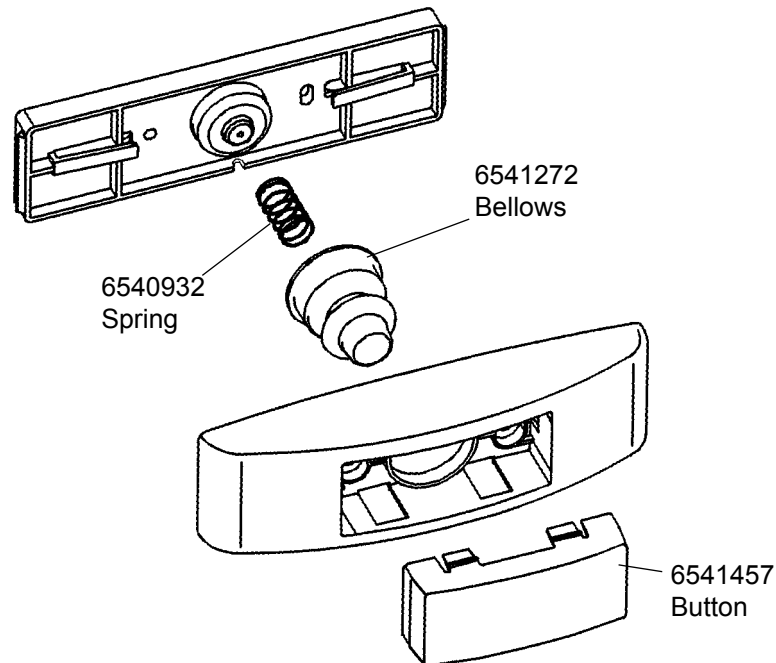
VACUUM TOILET

6541458 PNEUMATIC PUSH BUTTON (EVAC 900, 910 AND 912 WALL MODEL TOILETS)

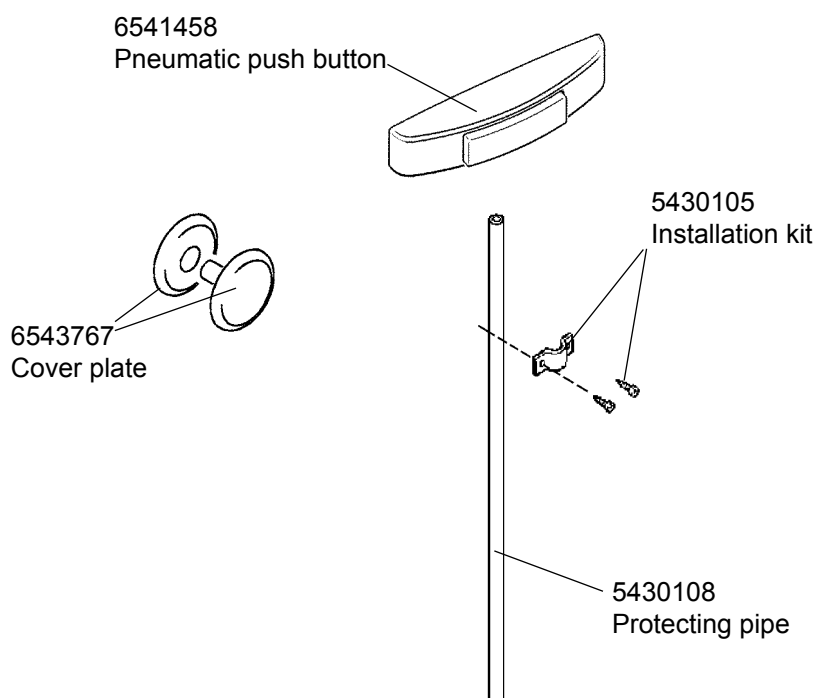
6541057 OPTIONAL PNEUMATIC PUSH BUTTON KIT (EVAC 900 AND 910 FLOOR MODEL TOILETS)

P/N 6541458 Pneumatic push button

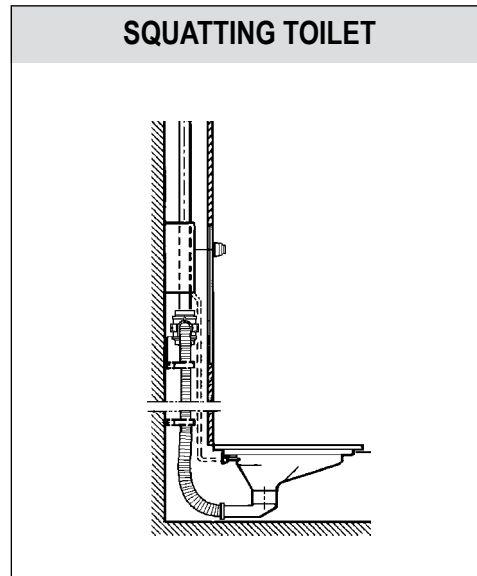
P/N 6540917 is replaced by P/N 6541458



P/N 6541057 Optional pneumatic push button kit



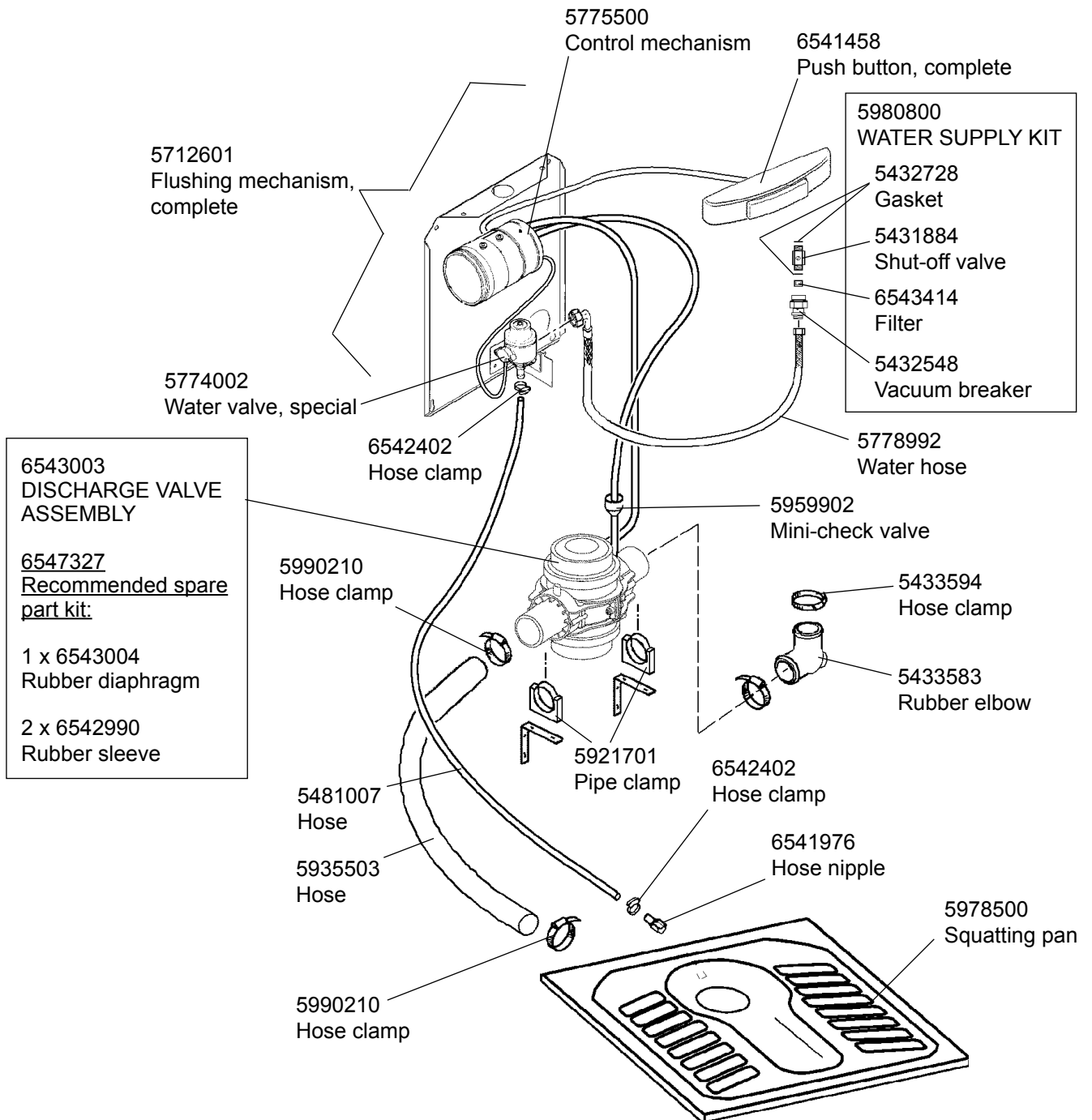
EVAC 910 SQUATTING TOILET



[Spare parts](#)

VACUUM TOILET

5979301 EVAC 910, SQUATTING TOILET



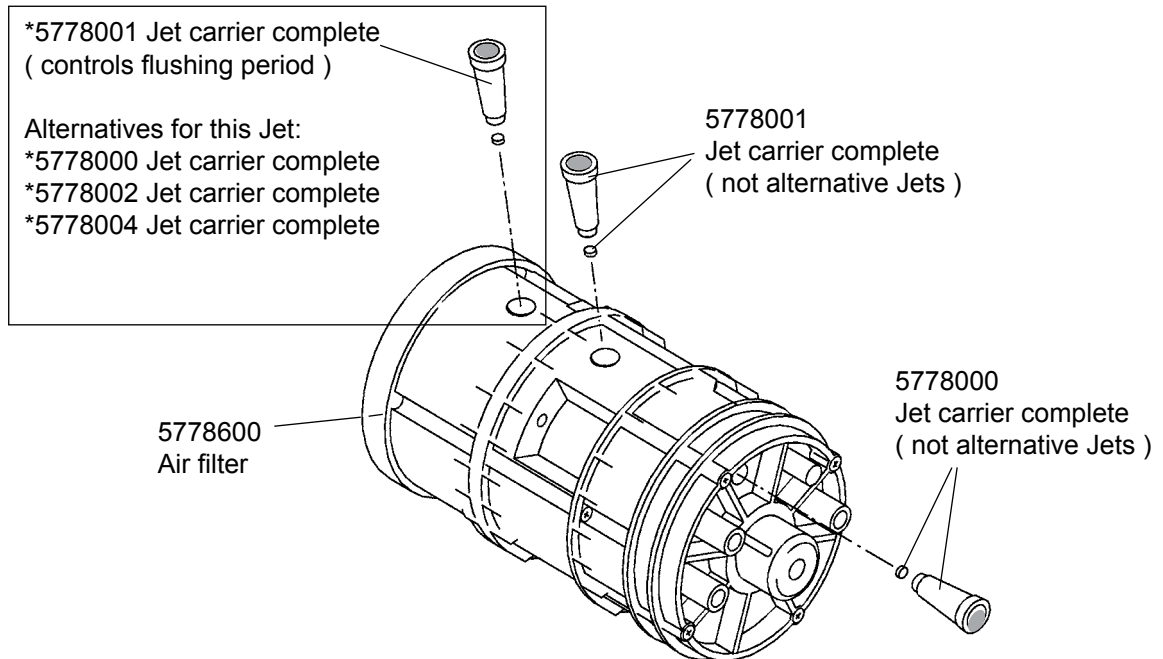
VACUUM TOILET

5775500 CONTROL MECHANISM

5881000 SPARE PART KIT FOR CONTROL MECHANISM (EVAC 90 AND 900 MODEL TOILETS)

6546688 SPARE PART KIT FOR CONTROL MECHANISM (EVAC 910 AND 912 MODEL TOILETS, TOILET WITH AUTOFLUSH UNIT, STAINLESS STEEL TOILET, SQUATTING TOILET)

P/N 5775500 Control mechanism



* Jet carrier identification:

P/N	Colour	Size	Effect
5778004	Yellow	0.20	Extra long flushing period
5778000	White	0.30	Long flushing period
5778001	Blue	0.40	Normal flushing period
5778002	Red	0.50	Short flushing period

! NOTE: See also the operation and maintenance documents:

Doc. 3:111E, Control mechanism (Evac 90 and 900 model toilets)

Doc. 002032-3, Control mechanism (Evac 910 model toilets)

Doc. 002474-2, Control mechanism (Evac 910 Stainless steel toilets)

Doc. 3:01103C, Control mechanism (Evac 910, Squatting toilet)

P/N 5881000 Spare part kit (Evac 90 and 900 model toilets)

P/N	Description	Pcs
5778600	Air filter	1
5778001	Jet carrier complete	2
5778000	Jet carrier complete	1
5778700	Filter	1
5959902	Mini-check valve	1

P/N 6546688 Spare part kit

(Evac 910 and 912 model toilets, toilet with Autoflush unit, Stainless steel toilet, Squatting toilet)

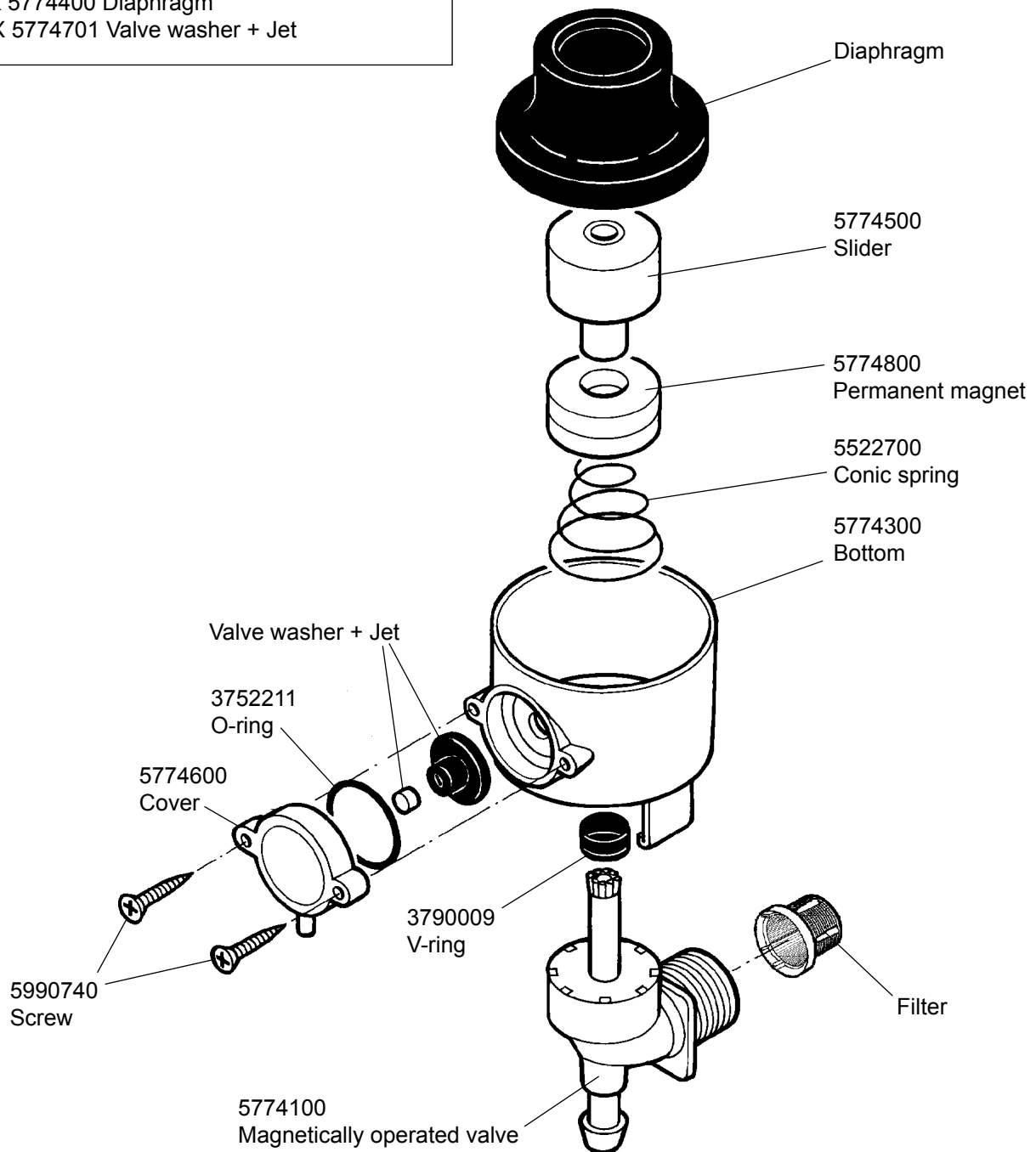
P/N	Description	Pcs
5778600	Air filter	1
5778001	Jet carrier complete	2
5778000	Jet carrier complete	1
5778700	Filter	1
6545052	Mini-check valve kit	1

VACUUM TOILET

5774002 WATER VALVE

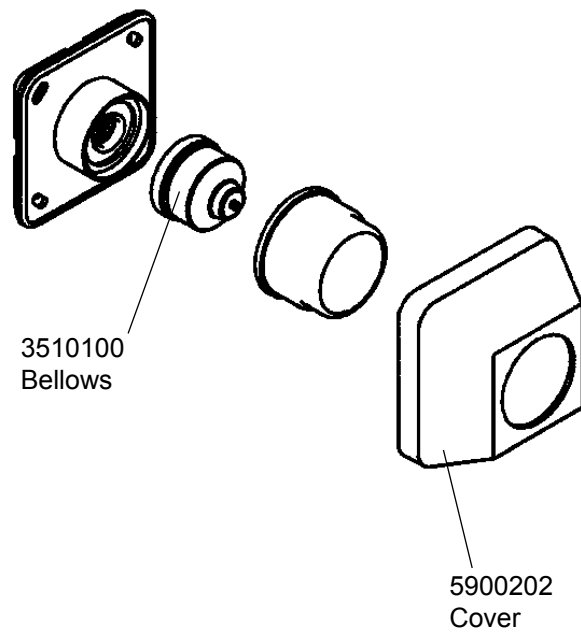
6543030 RECOMMENDED SPARE PART KIT:

- 1 x 3790009 V-ring
- 1 x 5774150 Filter
- 1 x 5774400 Diaphragm
- 1 X 5774701 Valve washer + Jet



VACUUM TOILET

5900200 PNEUMATIC PUSH BUTTON FOR EVAC 90 TOILETS



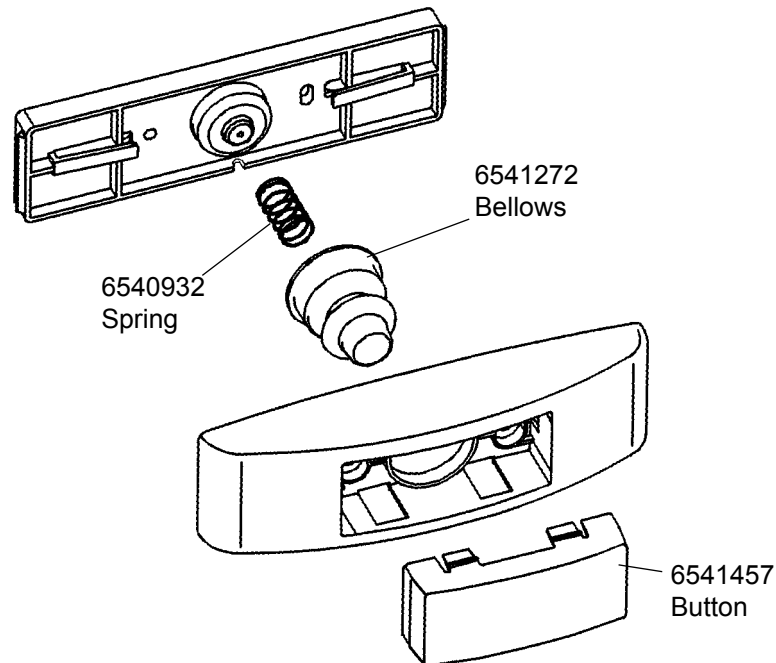
VACUUM TOILET

6541458 PNEUMATIC PUSH BUTTON (EVAC 900, 910 AND 912 WALL MODEL TOILETS)

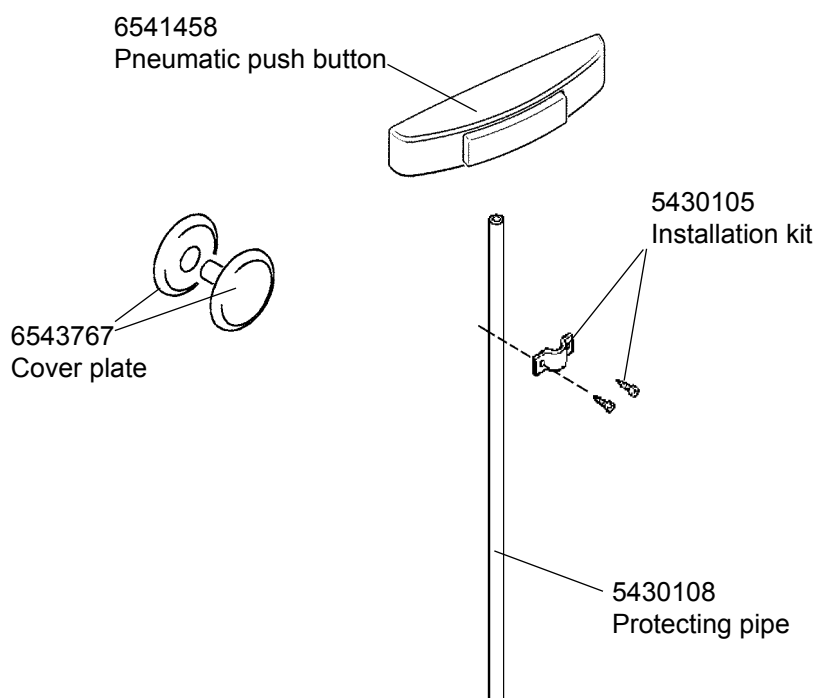
6541057 OPTIONAL PNEUMATIC PUSH BUTTON KIT (EVAC 900 AND 910 FLOOR MODEL TOILETS)

P/N 6541458 Pneumatic push button

P/N 6540917 is replaced by P/N 6541458



P/N 6541057 Optional pneumatic push button kit



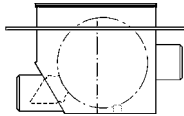
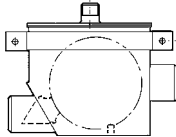
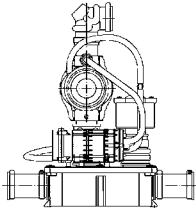
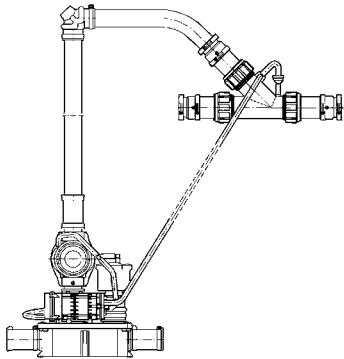
2. VACUUM INTERFACE VALVES

CHOICE OF MODELS

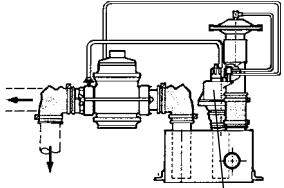
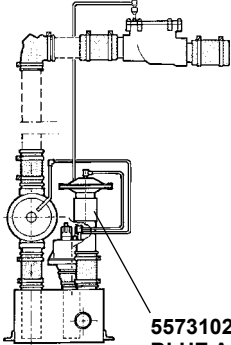
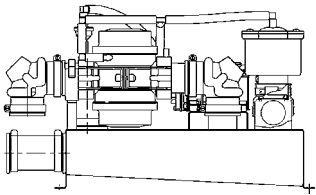
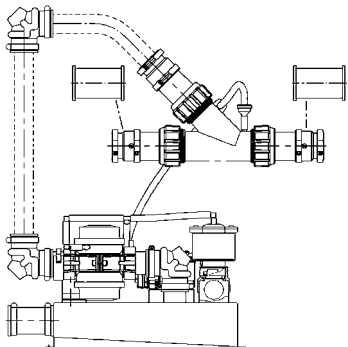
VACUUM INTERFACE VALVES

For easy and reliable urinal and grey water connections

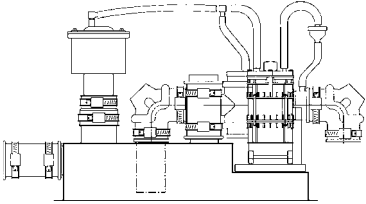
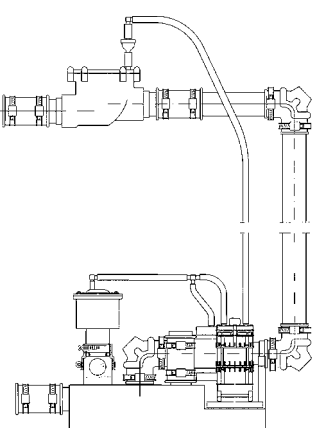
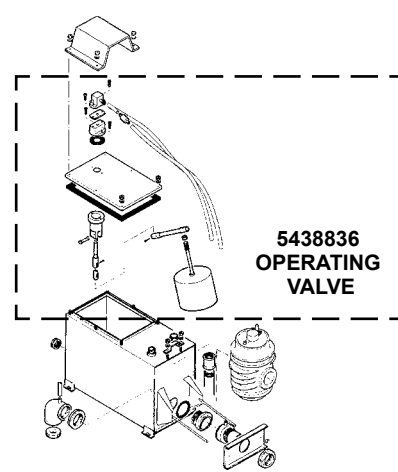
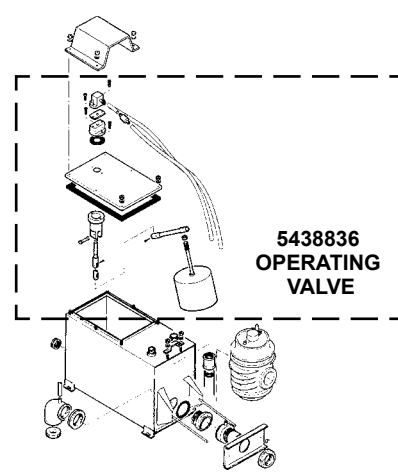
CHOICE OF MODELS

Product no. Product	Sales program	Spare parts, document no.	Replacing product / document no.
5439590 SHOWER DRAIN 	Active product	6:01036J	—
5439603 URINAL VALVE 	Active product	6:201F	—
6543469 VACUUM INTERFACE UNIT 2 L, CONNECTION DOWNWARDS / SIDEWARDS 	Active product	002225-4	—
6543521 VACUUM INTERFACE UNIT 2 L, CONNECTION UPWARDS 	Active product	002224-6	—

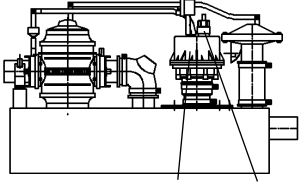
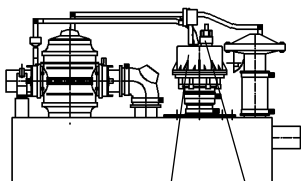
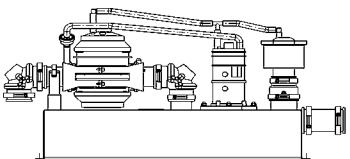
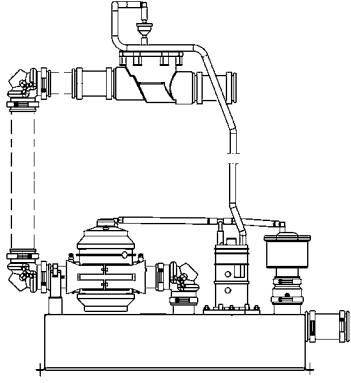
VACUUM INTERFACE VALVES

Product no. Product	Sales program	Spare parts, document no.	Replacing product, document no.
5980914 VACUUM INTERFACE UNIT 5 L, CONNECTION DOWNWARDS / HORIZONTAL 	Old product - only spare parts	6:206F	6545873 (5 L) / 002365-4 or 6543469 (2 L, plastic tank) / 002225-4 ! NOTE: Installation measures are different as in P/N 5980914.
5573102 + 5701401 BLUE ACTIVATOR	Old product	—	6542151 / 9:00061E
5981000 VACUUM INTERFACE UNIT 5 L, LIFT 	Old product - only spare parts	6:205G	6545872 (5 L) / 002366-5 or 6543521 (2 L, plastic tank) / 002224-6 ! NOTE: Installation measures are different as in P/N 5981000.
5573102 + 5701401 BLUE ACTIVATOR	Old product	—	6542151 / 9:00061E
6545873 VACUUM INTERFACE UNIT 5 L, CONNECTION DOWNWARDS 	Active product	002365-4	—
6545872 VACUUM INTERFACE UNIT 5 L, CONNECTION UPWARDS 	Active product	002366-5	—

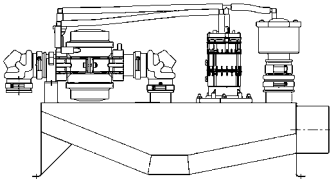
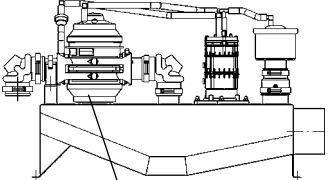
VACUUM INTERFACE VALVES

Product no. Product	Sales program	Spare parts, document no.	Replacing product / document no.
6541672 VACUUM INTERFACE UNIT 7 L, CONNECTION DOWNWARDS 	Old product - only spare parts	6:01034J	6545873 (5 L) / 002365-4 or 6543469 (2 L, plastic tank) / 002225-4 ! NOTE: Installation measures are different as in P/N 6541672.
6541673 VACUUM INTERFACE UNIT 7 L, CONNECTION UPWARDS 	Old product - only spare parts	6:208J	6545872 (5 L) / 002366-5 or 6543521 (2 L, plastic tank) / 002224-6 ! NOTE: Installation measures are different as in P/N 6541673.
5438500 VACUUM INTERFACE UNIT MODEL 319 	Old product - only spare parts	6:01130C	6545873 (5 L) / 002365-4 or 6543469 / 002225-4 (2 L, plastic tank) / 002225-4 ! NOTE: Installation measures are different as in P/N 5438500
 5438836 OPERATING VALVE	Old product	-	6542618 / 9:00059D

VACUUM INTERFACE VALVES

Product no. Product	Sales program	Spare parts, document no.	Replacing product / document no.
<p style="text-align: center;">5979500 VACUUM INTERFACE UNIT 10 L, WITH BLUE ACTIVATOR, DOWNWARDS</p>  <p style="text-align: center;">5573102 + 5701401 BLUE ACTIVATOR</p>	<p style="text-align: center;">Old product - only spare parts</p>	<p style="text-align: center;">6:01116E</p>	<p style="text-align: center;">6545873 (5 L) / 002365-4 or 6543469 (2 L, plastic tank) / 002225-4</p> <p style="text-align: center;">! NOTE: Installation measures are different as in P/N 5979500.</p>
<p style="text-align: center;">Old product</p>	<p style="text-align: center;">—</p>	<p style="text-align: center;">6542151 / 9:00061E</p>	
<p style="text-align: center;">5979600 VACUUM INTERFACE UNIT 10 L, WITH BLUE ACTIVATOR, UPWARDS</p>  <p style="text-align: center;">5573102 + 5701401 BLUE ACTIVATOR</p>	<p style="text-align: center;">Old product - only spare parts</p>	<p style="text-align: center;">6:01116E</p>	<p style="text-align: center;">6545872 (5 L) / 002366-5 or 6543521 (2 L, plastic tank) / 002224-6</p> <p style="text-align: center;">! NOTE: Installation measures are different as in P/N 5979600.</p>
<p style="text-align: center;">Old product</p>	<p style="text-align: center;">—</p>	<p style="text-align: center;">6542151 / 9:00061E</p>	
<p style="text-align: center;">6542601 VACUUM INTERFACE UNIT 10 L, CONNECTION DOWNWARDS</p> 	<p style="text-align: center;">Old product - only spare parts</p>	<p style="text-align: center;">6:01111F</p>	<p style="text-align: center;">6545873 (5 L) / 002365-4 or 6543469 (2 L, plastic tank) / 002225-4</p> <p style="text-align: center;">! NOTE: Installation measures are different as in P/N 6542601.</p>
<p style="text-align: center;">6542586 VACUUM INTERFACE UNIT 10 L, CONNECTION UPWARDS</p> 	<p style="text-align: center;">Old product - only spare parts</p>	<p style="text-align: center;">6:01110G</p>	<p style="text-align: center;">6545872 (5 L) / 002366-5 or 6543521 (2 L, plastic tank) / 002224-6</p> <p style="text-align: center;">! NOTE: Installation measures are different as in P/N 6542586.</p>

VACUUM INTERFACE VALVES

Replacing product / document no.	Sales program	Spare parts, document no.	Replacing product / document no.
6548640 VACUUM INTERFACE UNIT FOR GRAVITY TOILET 	Active product	002526-3	
6543139 VACUUM INTERFACE UNIT FOR GRAVITY TOILET  6542811 DISCHARGE VALVE COMPLETE	Old product - only spare parts Old product	6:01135C	6548640 / 002526-3 6548362 / 002548-1 Valve kit

[Spare parts](#)

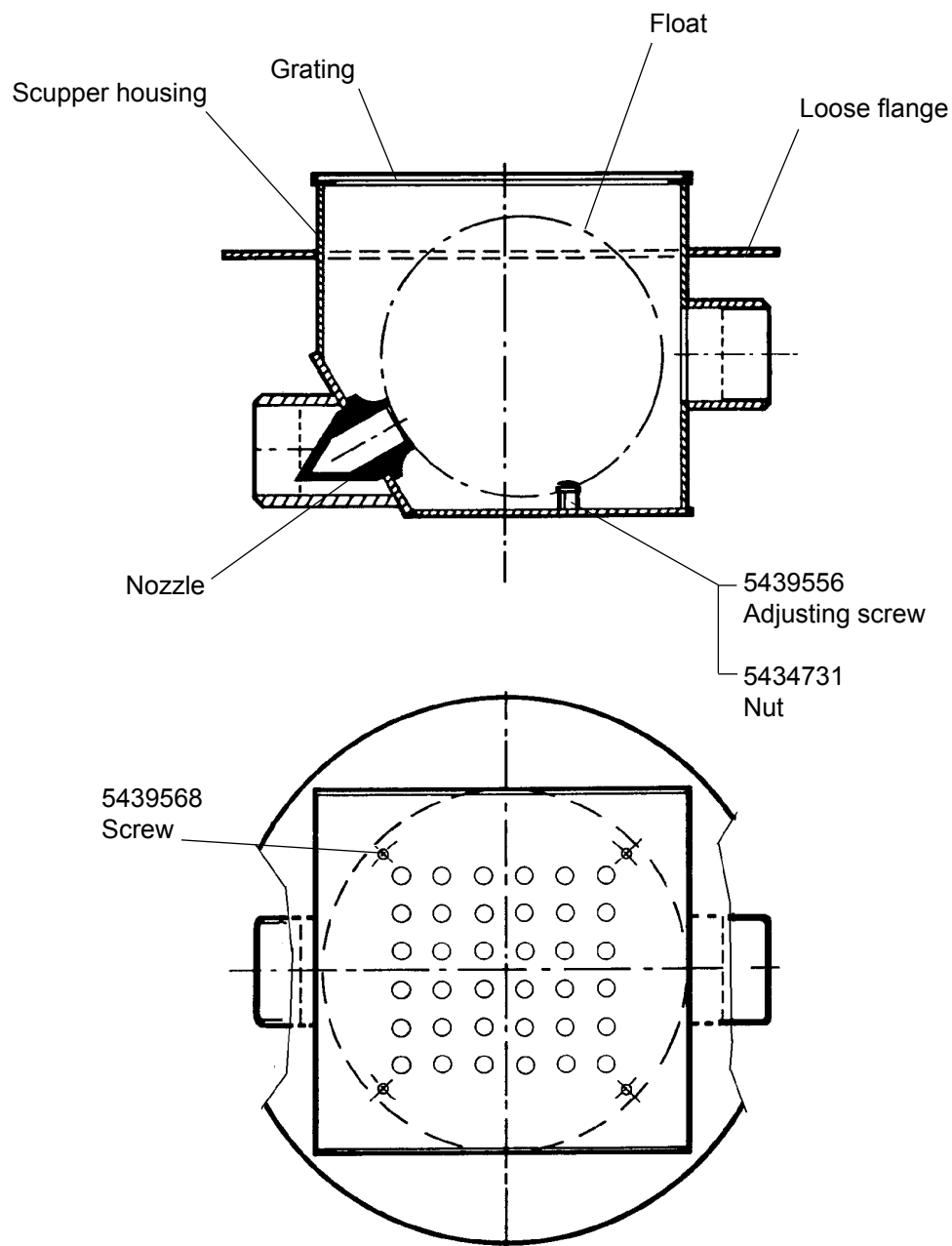
[Replacing products](#)

VACUUM INTERFACE VALVE

5439590 SHOWER DRAIN

6543032 RECOMMENDED SPARE PART KIT:

- 1 x 6544474 Float
- 1 x 5439534 Nozzle
- 2 x 6544483 Screw



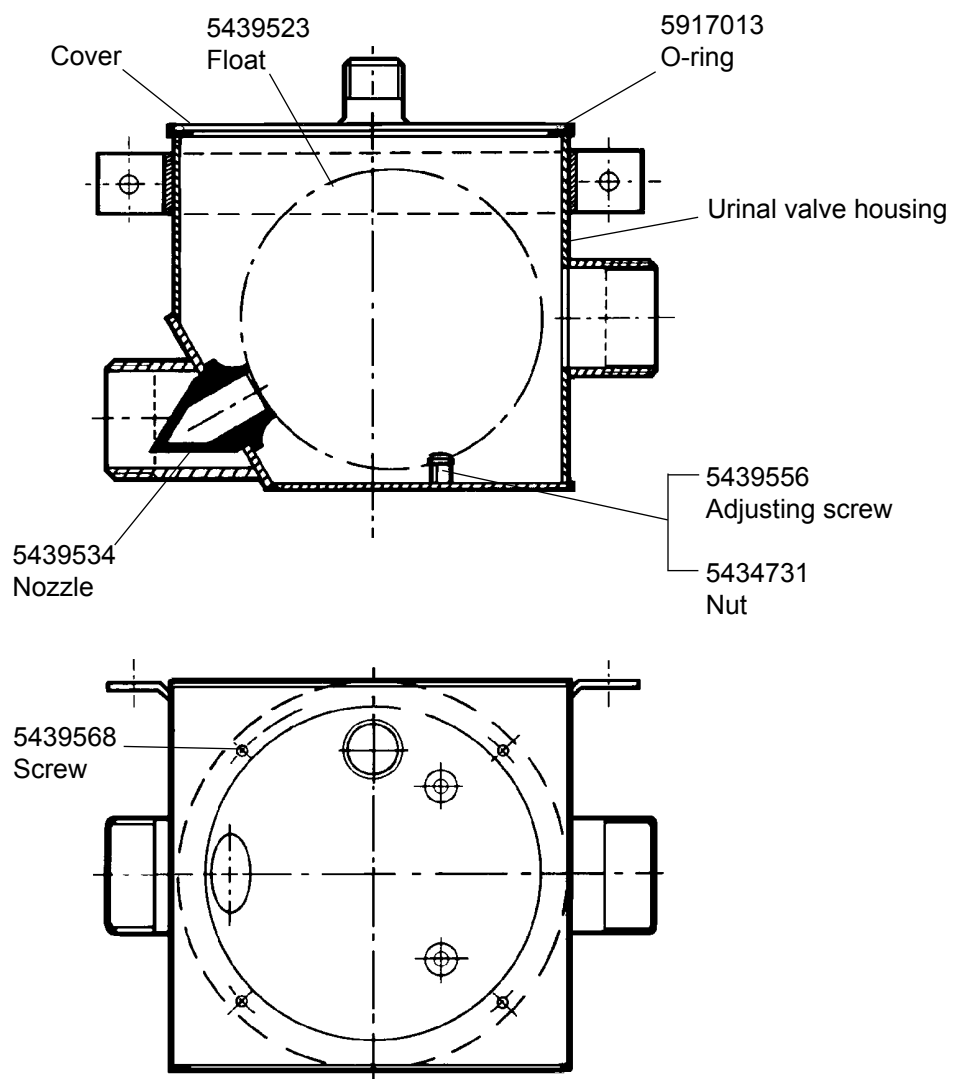
VACUUM INTERFACE VALVE

5439603 URINAL VALVE

P/N 5439602 is replaced by P/N 5439603

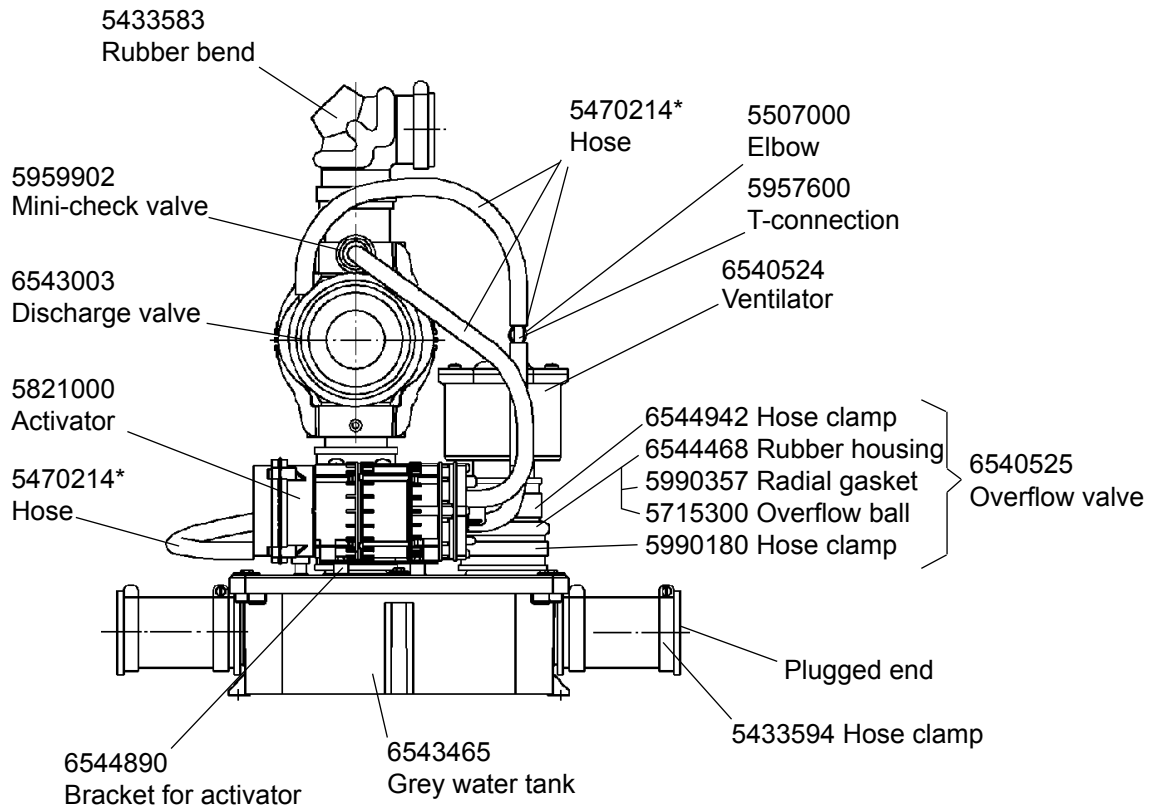
6543032 RECOMMENDED SPARE PART KIT:

- 1 x 6544474 Float
- 1 x 5439534 Nozzle
- 1 x 6544483 Screw



VACUUM INTERFACE VALVE

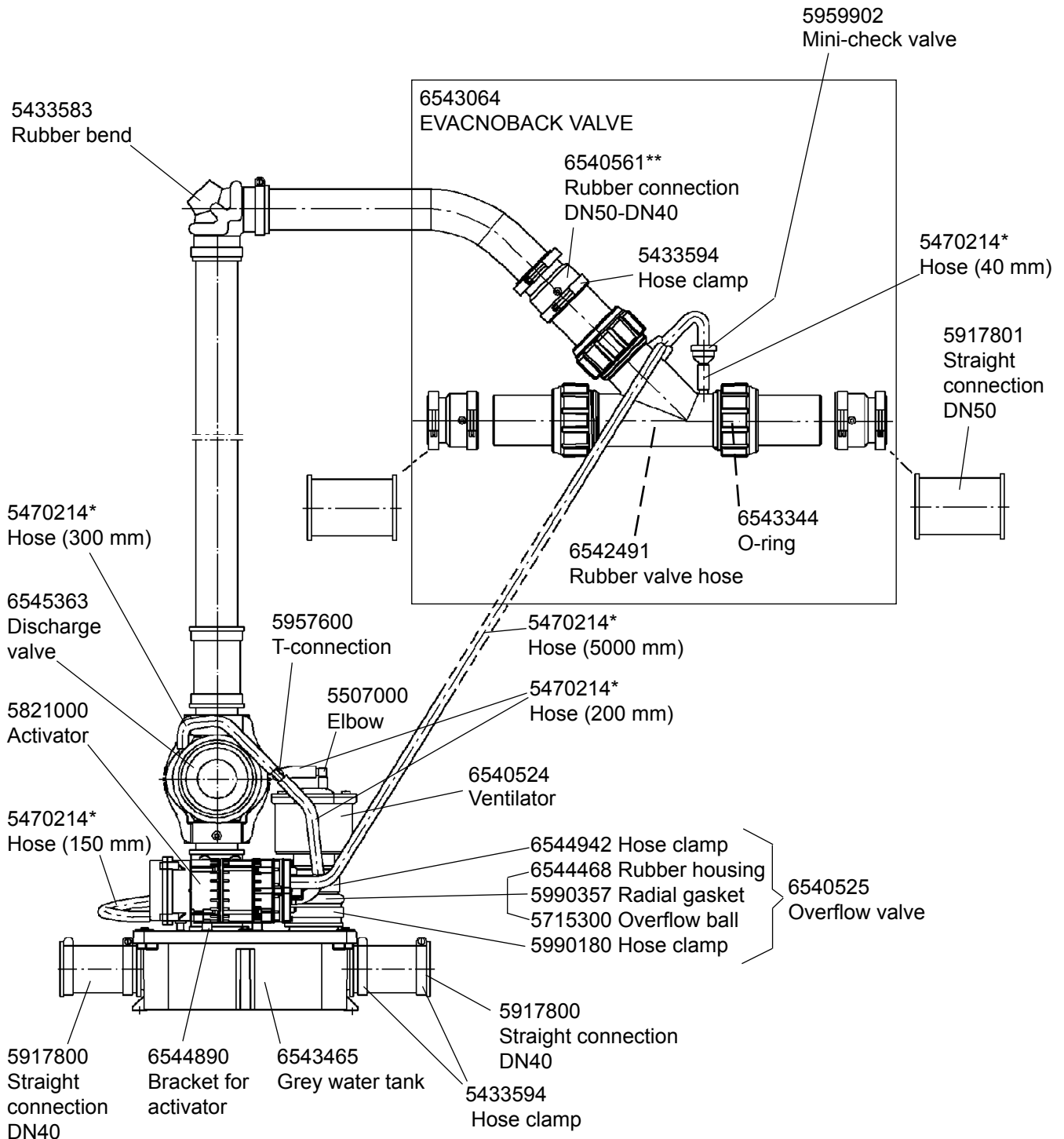
6543469 VACUUM INTERFACE UNIT 2 L, CONNECTION DOWNWARDS / SIDEWARDS



* All the hoses with Evac part number (P/N 5470214) are available in meters so please inform the length, when ordering.

VACUUM INTERFACE VALVE

6543521 VACUUM INTERFACE UNIT 2 L, CONNECTION UPWARDS



* All the hoses with Evac part number (P/N 5470214) are available in meters so please inform the length, when ordering.

** DN40 suitable for pipes O.D. 48-52 mm
 DN50 suitable for pipes O.D. 60-63 mm

VACUUM INTERFACE VALVE

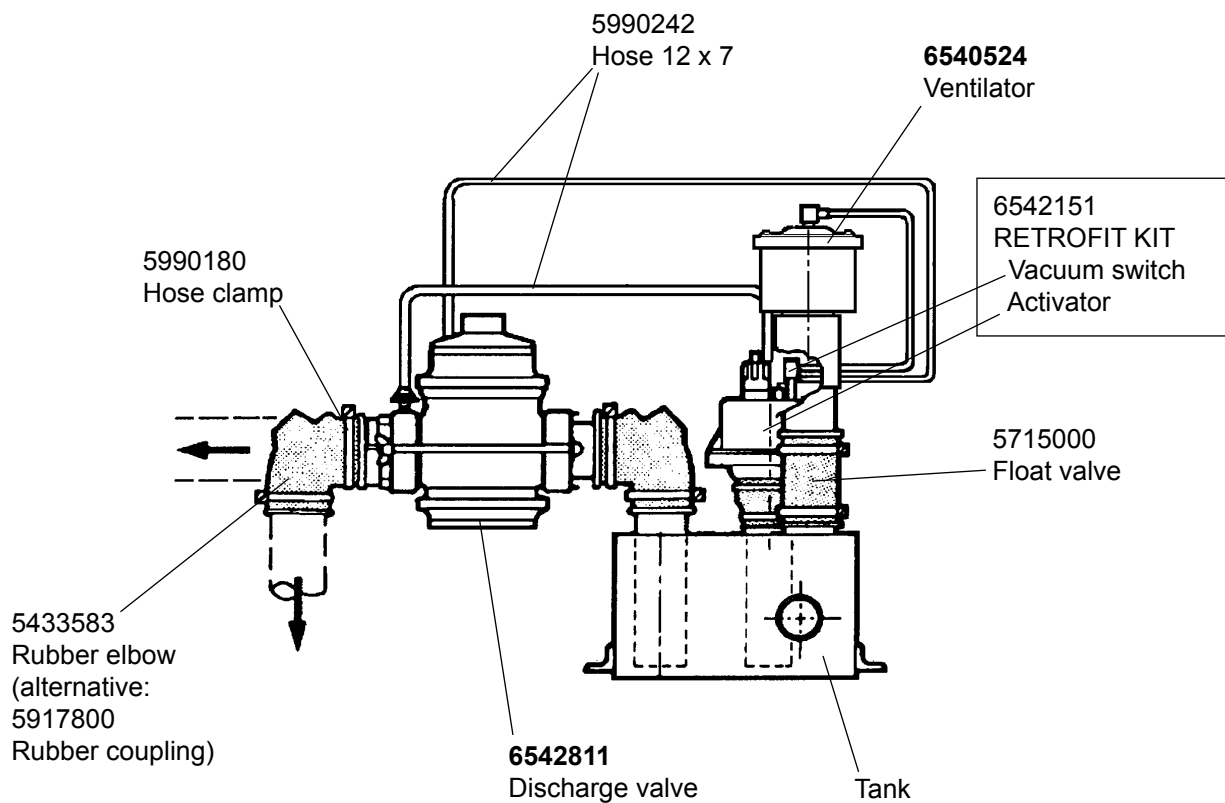
5980914 VACUUM INTERFACE UNIT 5 LITRE, CONNECTION DOWNWARDS / HORIZONTAL
(not sold as a single item)

P/N 5980914 is replaced by P/N 6545873 (5 L) or P/N 6543469 (2 L)

P/N 5573102 + P/N 5701401 are replaced by P/N 6542151

P/N 5575001 is replaced by P/N 6540524

P/N 5979000 is replaced by P/N 6542811



VACUUM INTERFACE VALVE

5981000 VACUUM INTERFACE UNIT, 5 LITRE, LIFT (not sold as a single item)

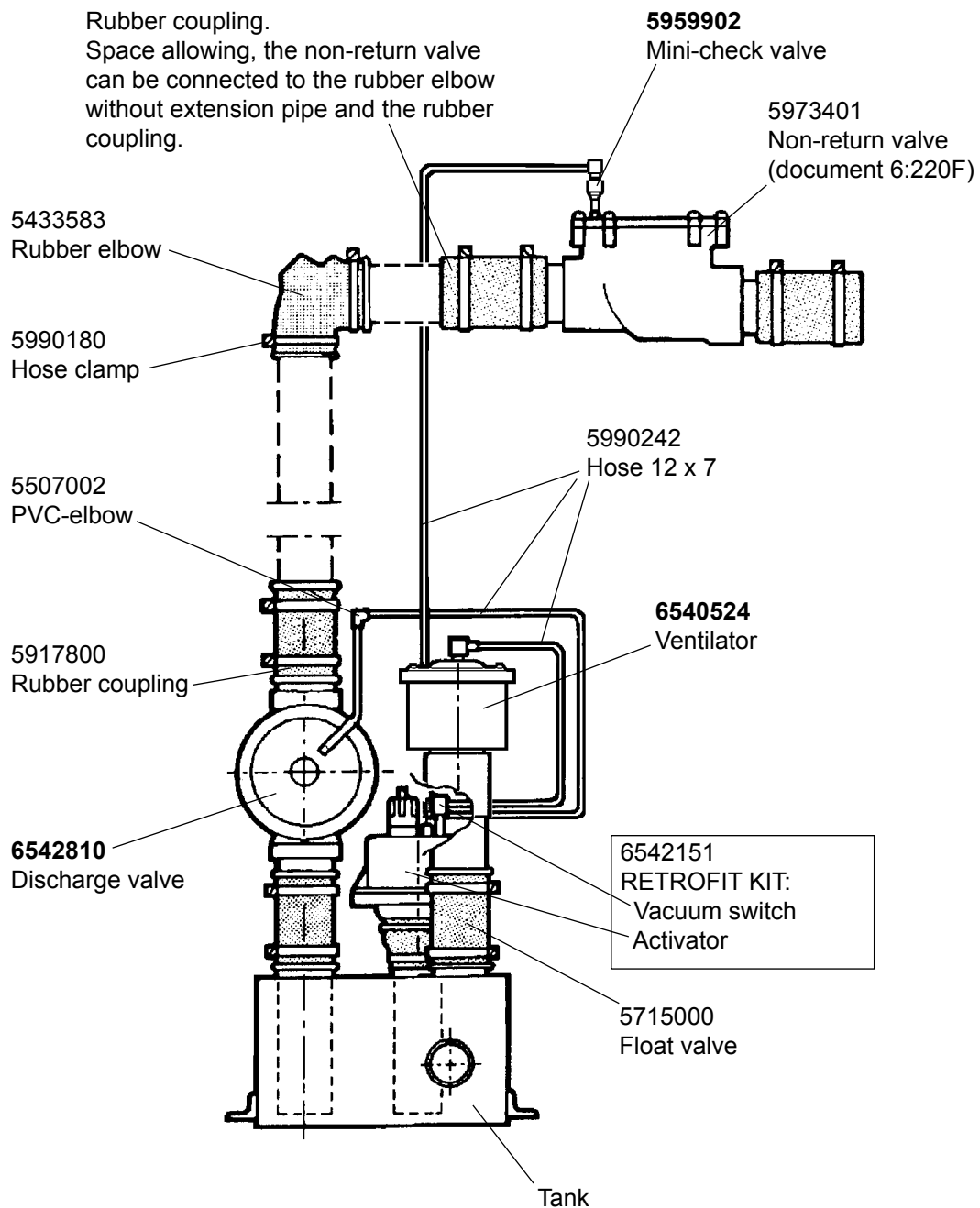
P/N 5981000 is replaced by P/N 6545872 (5 L) or P/N 6543521 (2 L)

P/N 5573102 + P/N 5701401 are replaced by P/N 6542151

P/N 5575001 is replaced by P/N 6540524

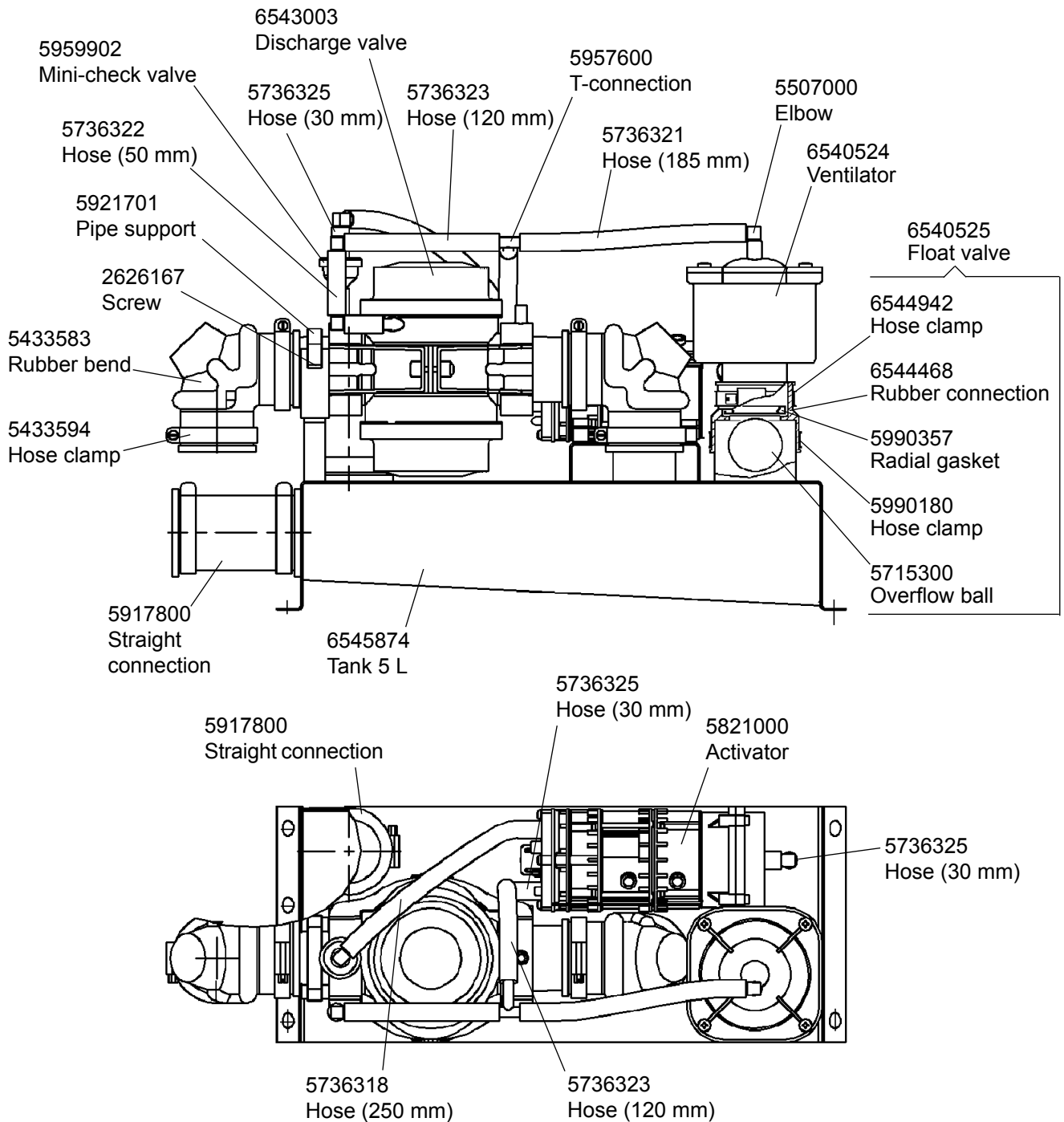
P/N 5959900 is replaced by P/N 5959902

P/N 5979010 is replaced by P/N 6542810



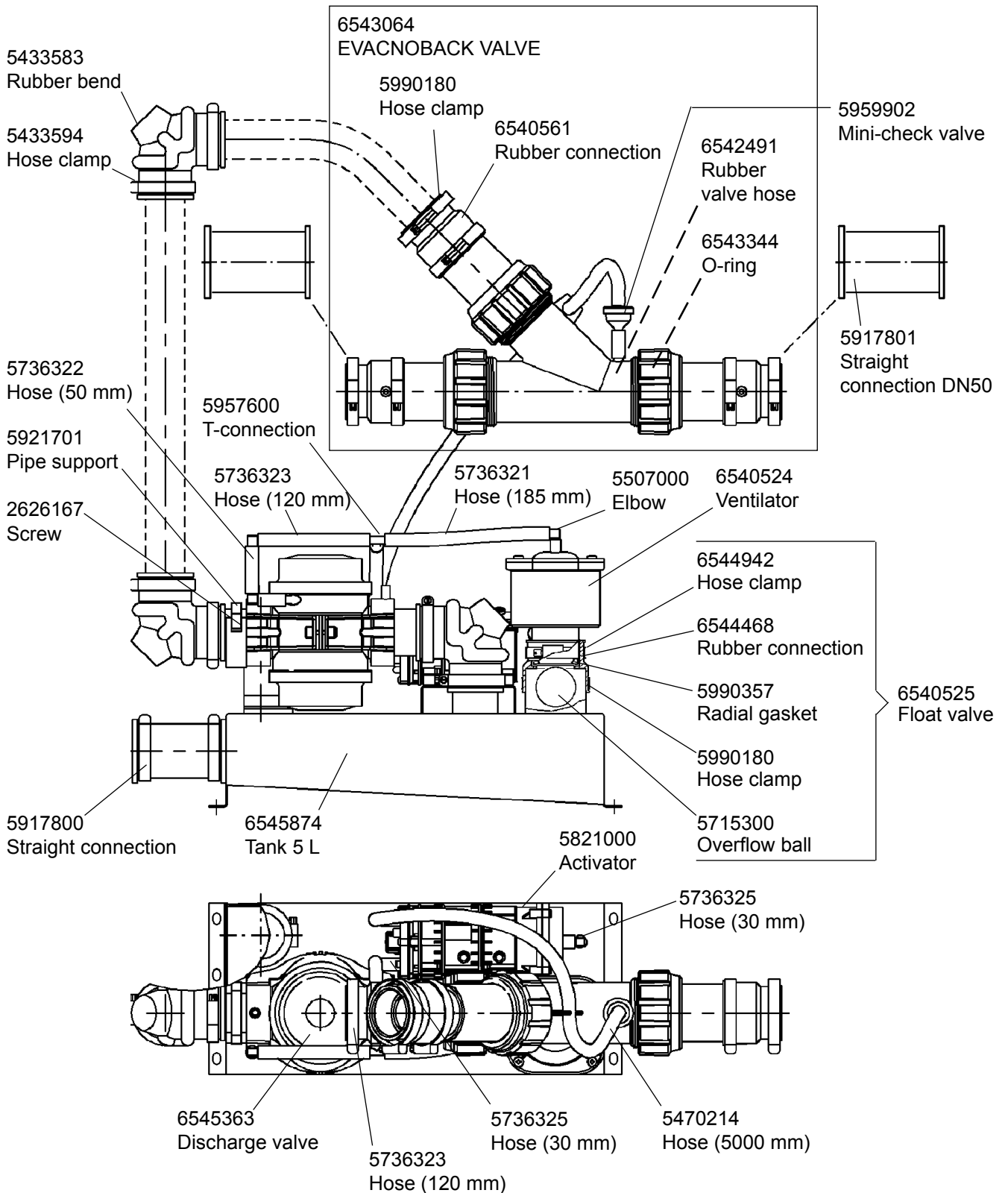
VACUUM INTERFACE VALVE

6545873 VACUUM INTERFACE UNIT 5 L, CONNECTION DOWNWARDS



VACUUM INTERFACE VALVE

6545872 VACUUM INTERFACE UNIT 5 L, CONNECTION UPWARDS

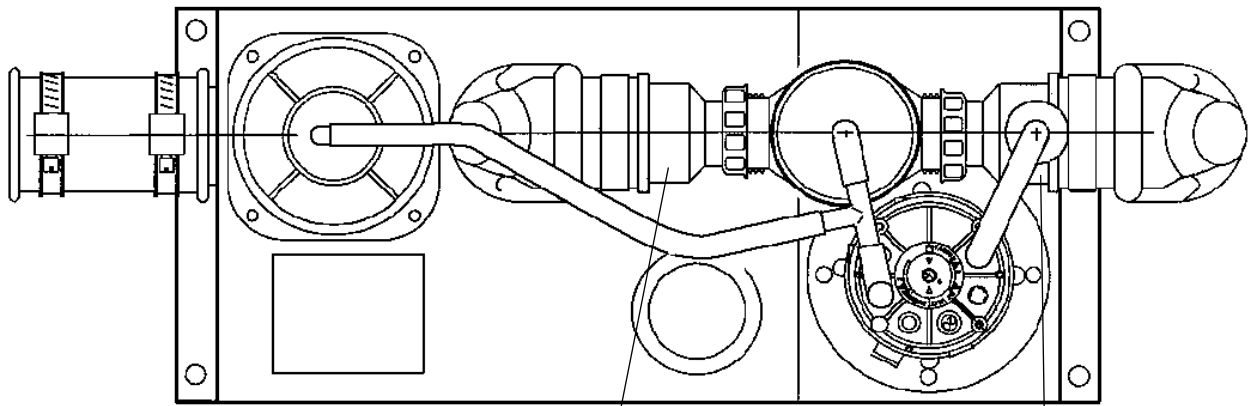
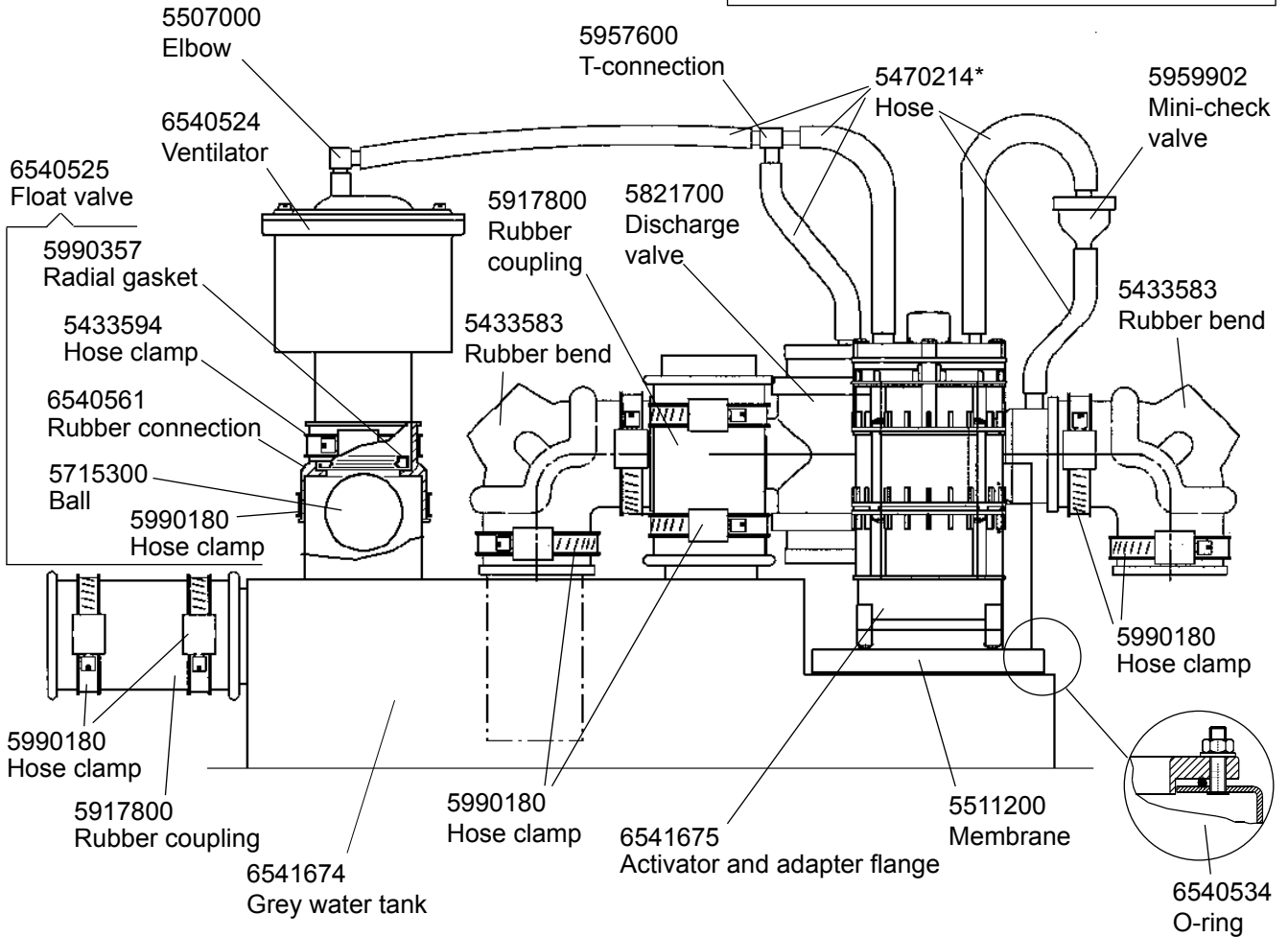


VACUUM INTERFACE VALVE

6541672 VACUUM INTERFACE UNIT 7 L, CONNECTION DOWNWARDS

P/N 6541672 is replaced by P/N 6545873 (5 L)
or P/N 6543469 (2 L)

6543031 RECOMMENDED SPARE PART KIT: 1 x 5821720 Rubber hose 2 x 5821722 Sleeve



6540533 Reducer 1¼" - 50 mm

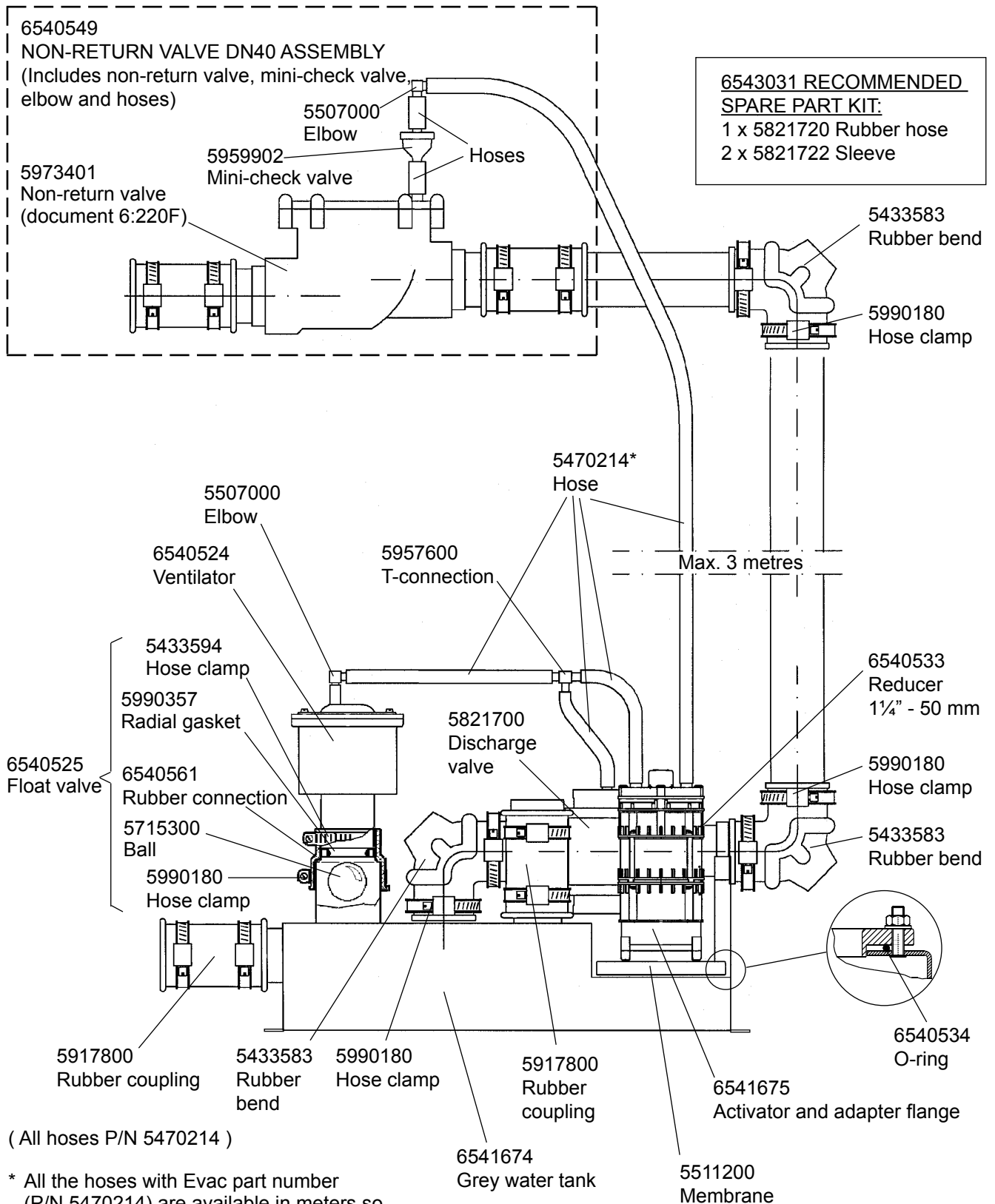
6540868 Reducer 1¼" - 50 mm with vacuum nipple

* All the hoses with Evac part number (P/N 5470214) are available in meters so inform the length, when ordering.

VACUUM INTERFACE VALVE

6541673 VACUUM INTERFACE UNIT 7 L, CONNECTION UPWARDS

P/N 6541673 is replaced by P/N 6545872 (5 L) or P/N 6543521 (2 L)

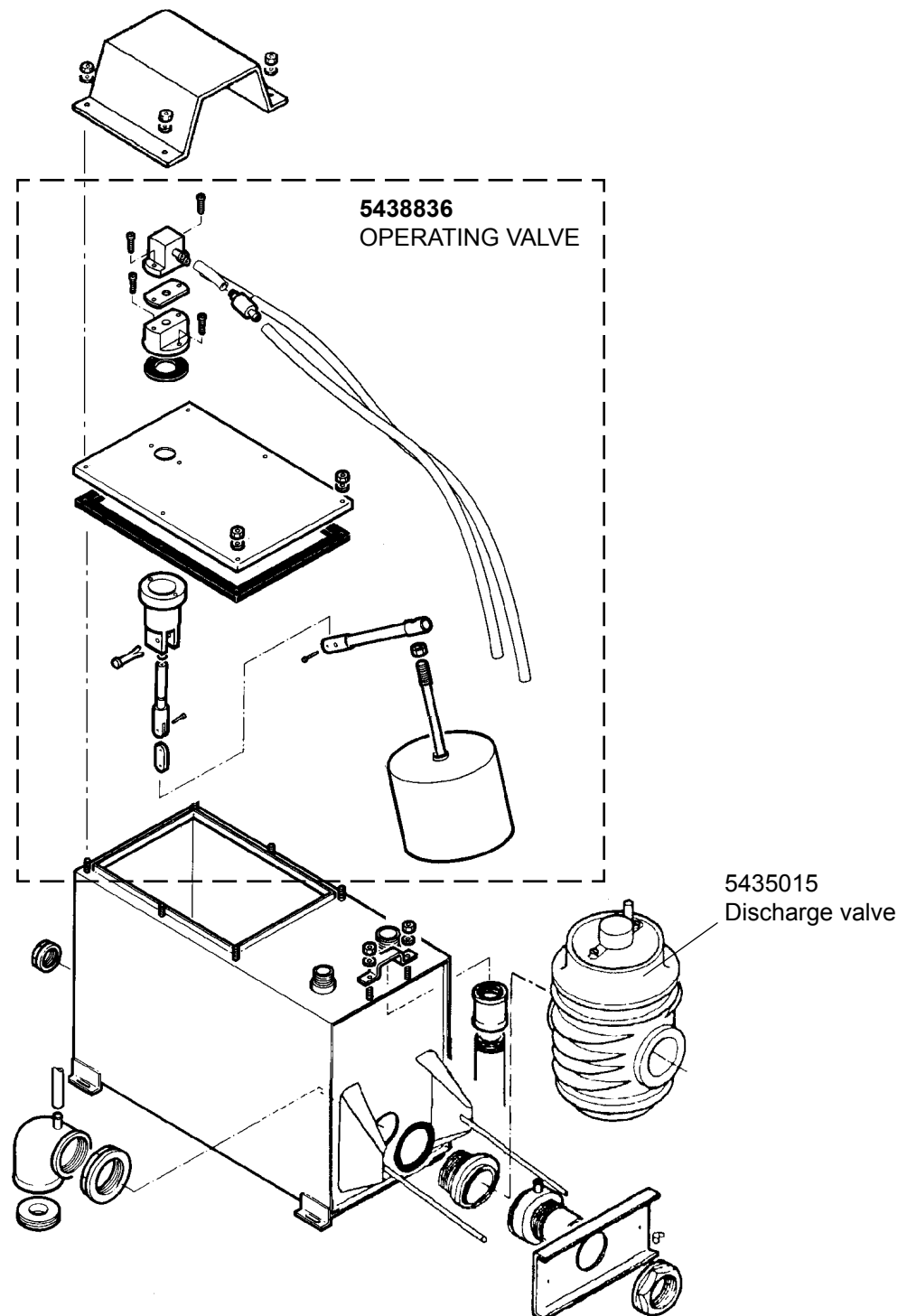


VACUUM INTERFACE VALVE

5438500 MODEL 319, (not sold as a single item)

P/N 5438500 is replaced by P/N 6543469 (2 L) or P/N 6545873 (5 L)

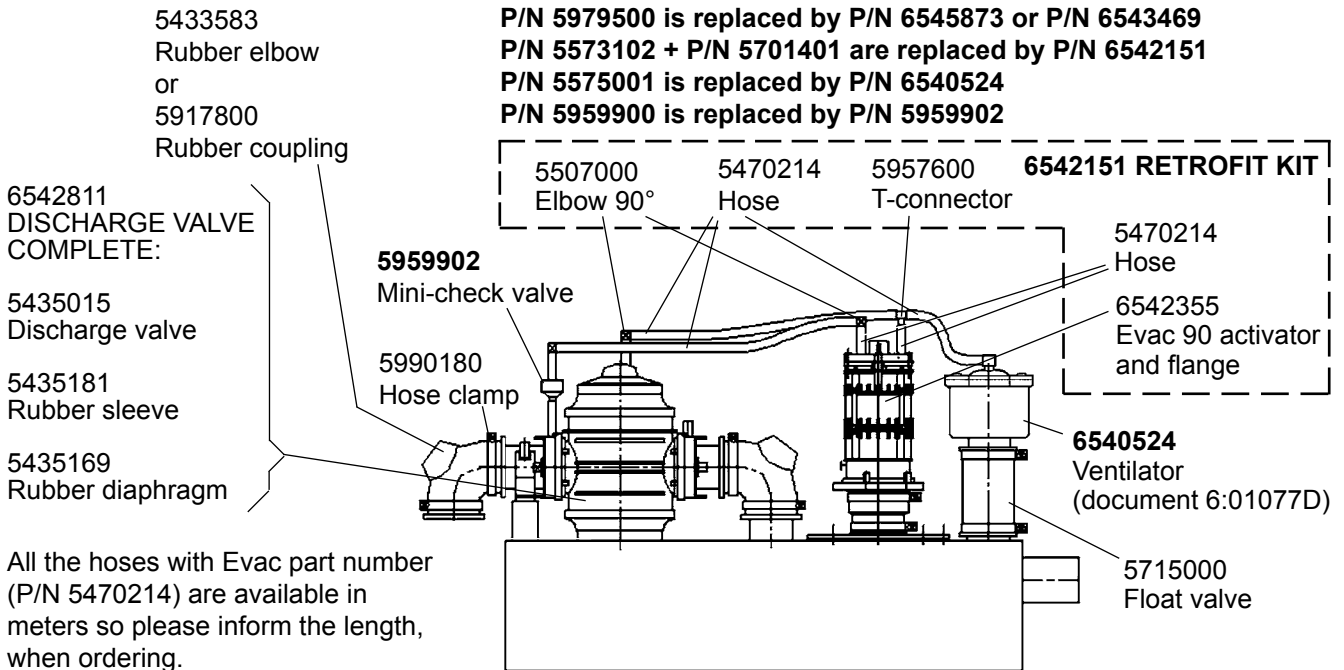
P/N 5438836 is replaced by P/N 6542618



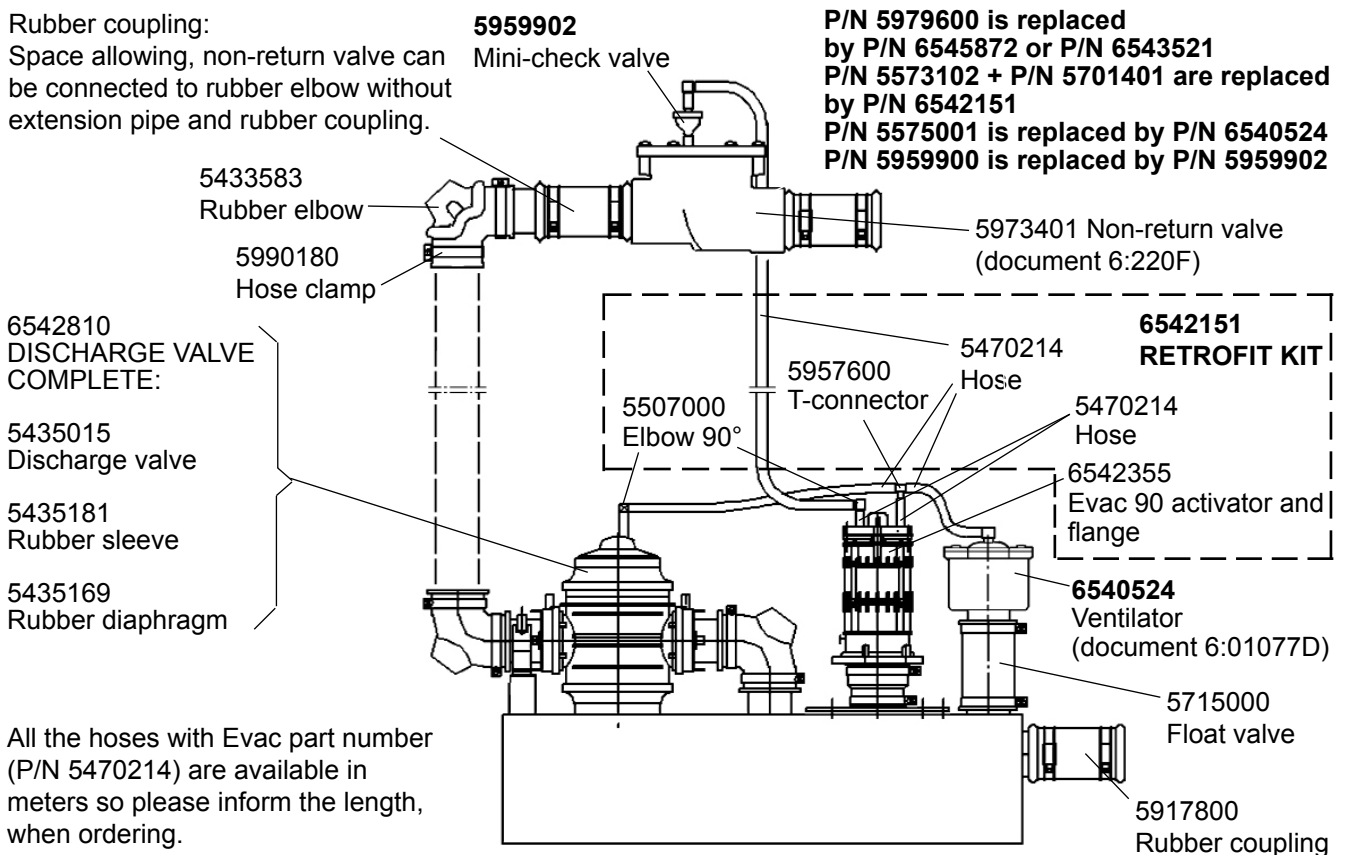
VACUUM INTERFACE VALVE

- 5980914 VACUUM INTERFACE UNIT 5 L, DOWNWARDS WITH RETROFIT KIT (6542151)**
- 5981000 VACUUM INTERFACE UNIT 5 L, UPWARDS WITH RETROFIT KIT (6542151)**
- 5979500 VACUUM INTERFACE UNIT 10 L, DOWNWARDS WITH RETROFIT KIT (6542151)**
- 5979600 VACUUM INTERFACE UNIT 10 L, UPWARDS WITH RETROFIT KIT (6542151)**

P/N 5980914 and P/N 5979500 with Retrofit kit P/N 6542151



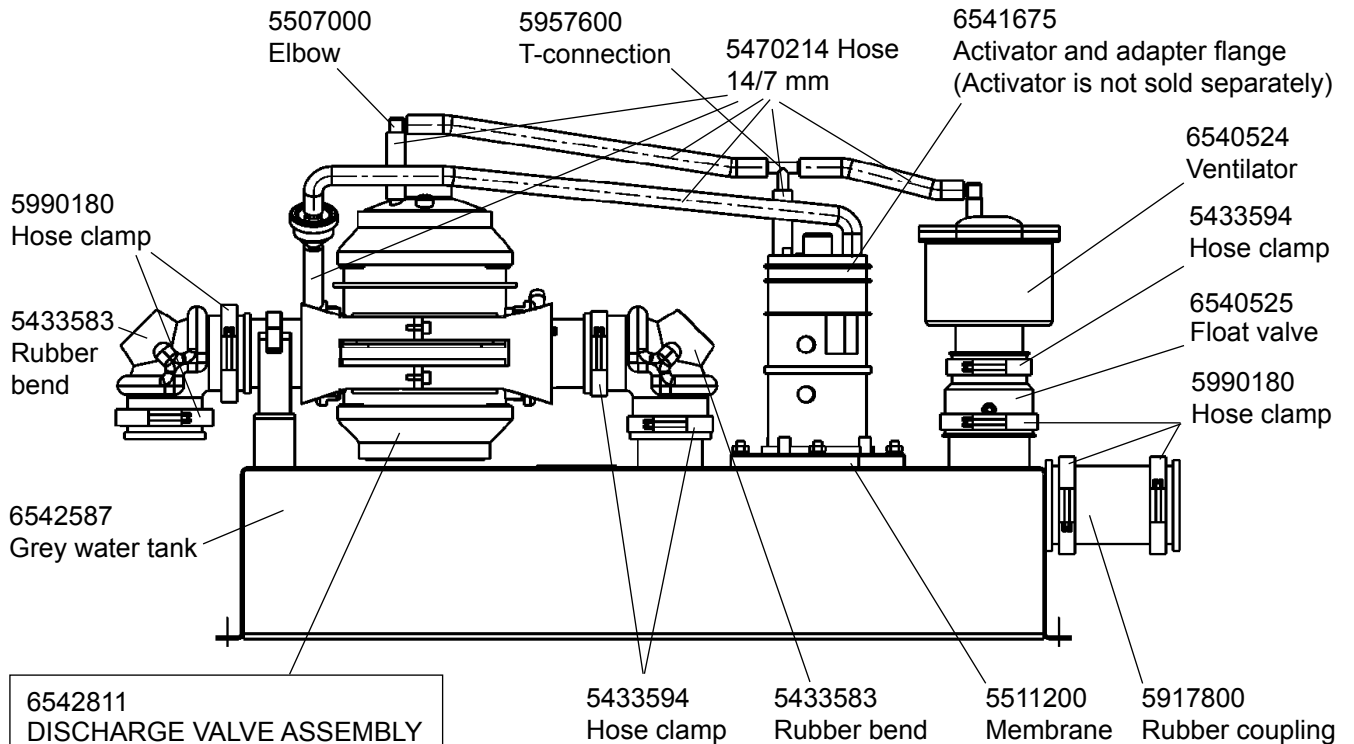
P/N 5981000 and P/N 5979600 with Retrofit kit P/N 6542151



VACUUM INTERFACE VALVE

6542601 VACUUM INTERFACE UNIT 10 L, CONNECTION DOWNWARDS

P/N 6542601 is replaced by P/N 6545873 (5 L) or P/N 6543469 (2 L)

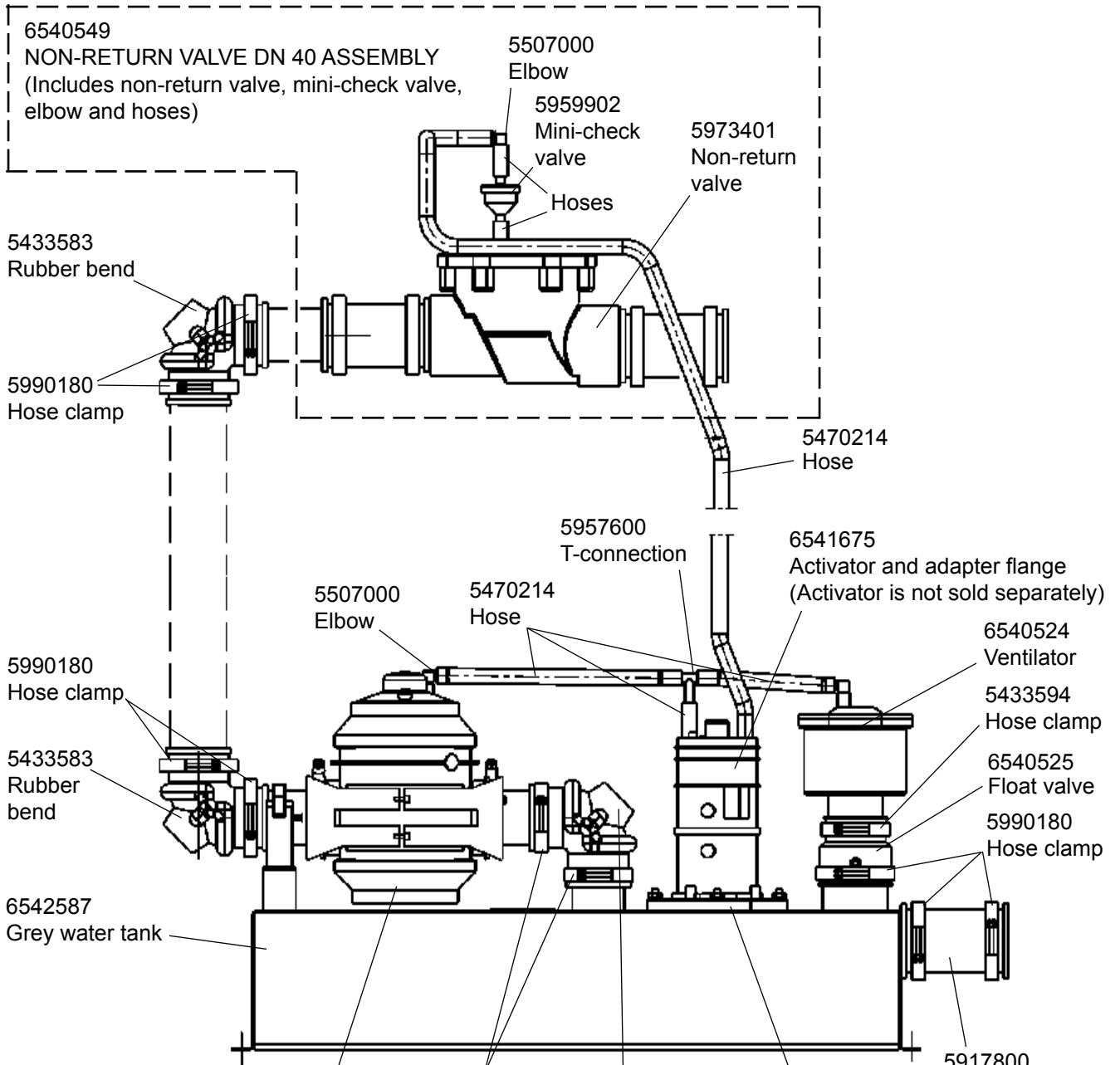


All the hoses with Evac part number (P/N 5470214) are available in meters so please inform the length, when ordering.

VACUUM INTERFACE VALVE

6542586 VACUUM INTERFACE UNIT 10 L, CONNECTION UPWARDS

P/N 6542586 is replaced by P/N 6545872 (5 L) and P/N 6543521 (2 L)



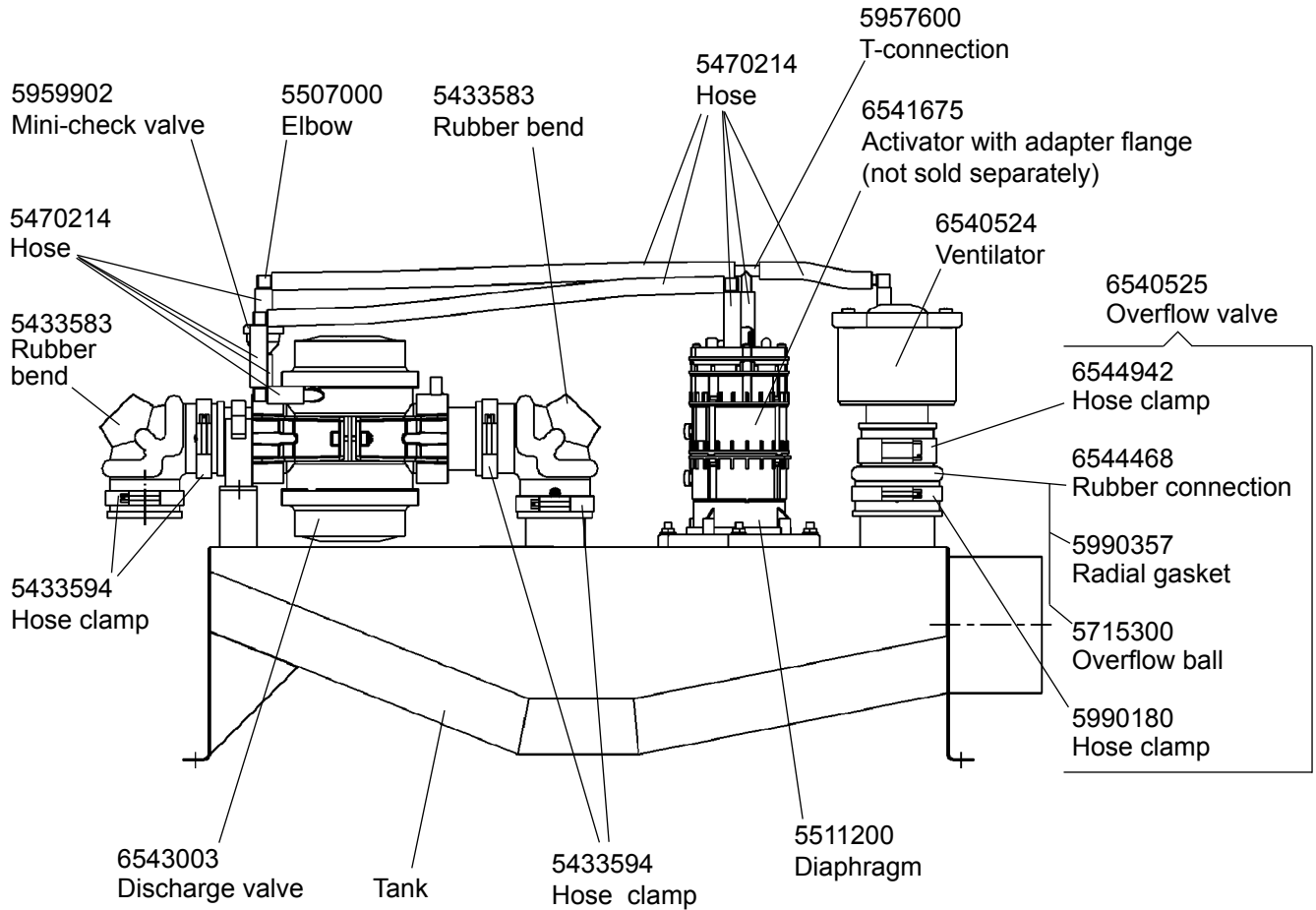
- 6542810 DISCHARGE VALVE ASSEMBLY**
- 6543029 Recommended spare part kit:**
- 1 x 5435169 Rubber diaphragm
 - 2 x 5435181 Rubber sleeve

(All hoses P/N 5470214)

All the hoses with Evac Part number (P/N 5470214) are available in meters so please inform the length, when ordering.

VACUUM INTERFACE VALVE

6548640 VACUUM INTERFACE UNIT FOR GRAVITY TOILET



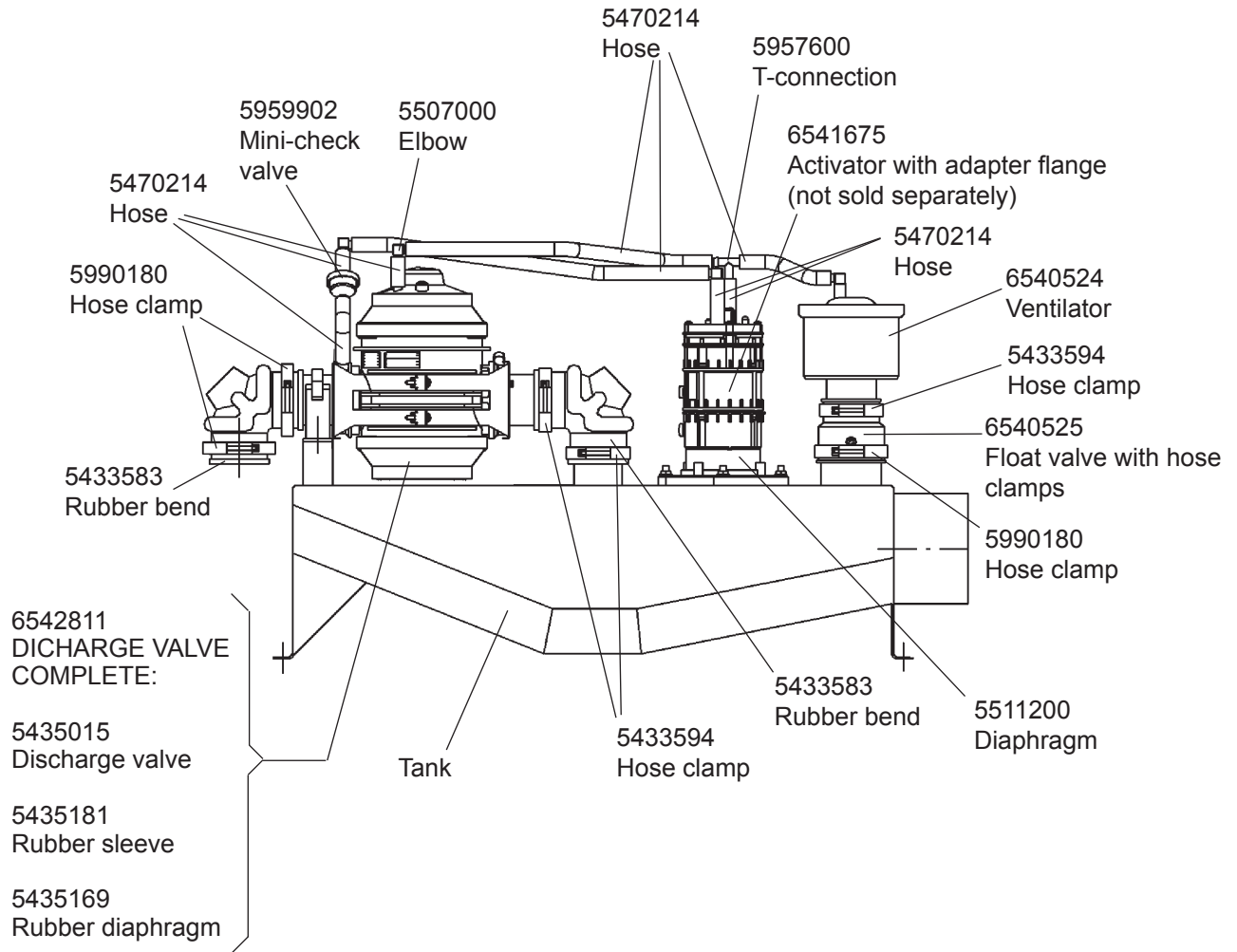
All the hoses with Evac part number (P/N 5470214) are available in meters so please inform the length, when ordering

VACUUM INTERFACE VALVE

6543139 VACUUM INTERFACE UNIT FOR GRAVITY TOILET, (not sold as a single item)

P/N 6543139 is replaced by P/N 6548640

P/N 6542811 is replaced by P/N 6548362



All the hoses with Evac part number (P/N 5470214) are available in meters so please inform the length, when ordering.

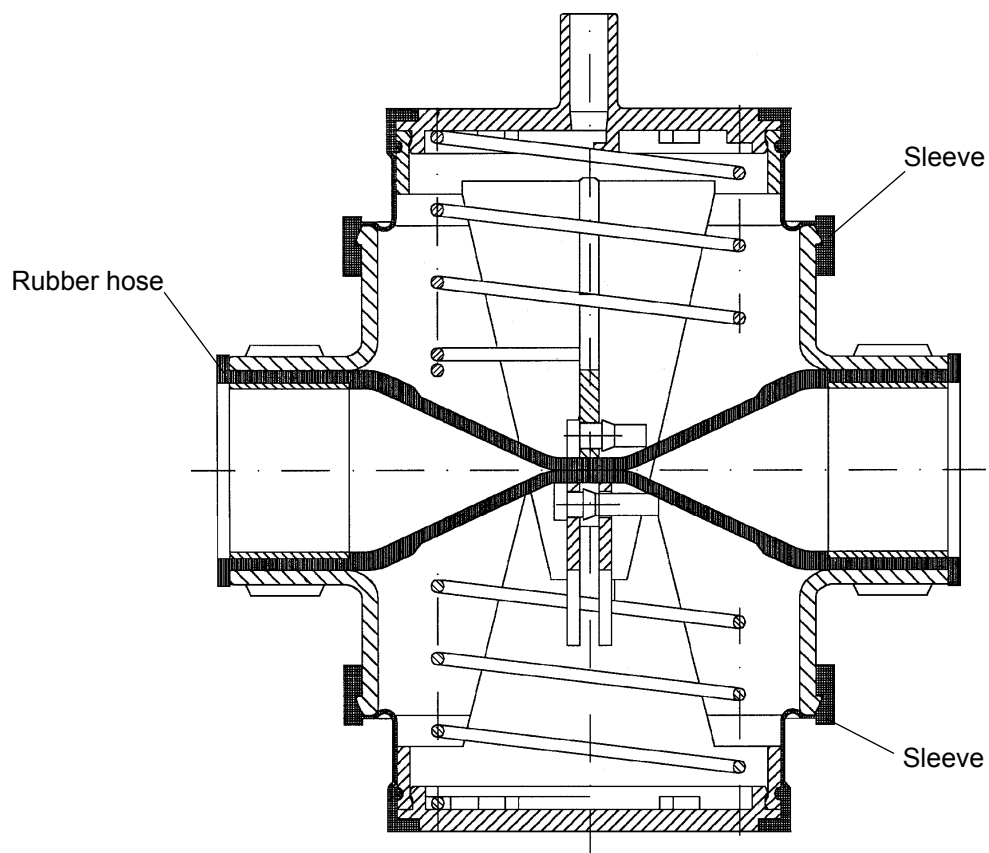
VACUUM INTERFACE VALVE

5821700 DISCHARGE VALVE

6543031 RECOMMENDED SPARE PART KIT:

1 x 5821720 Rubber hose

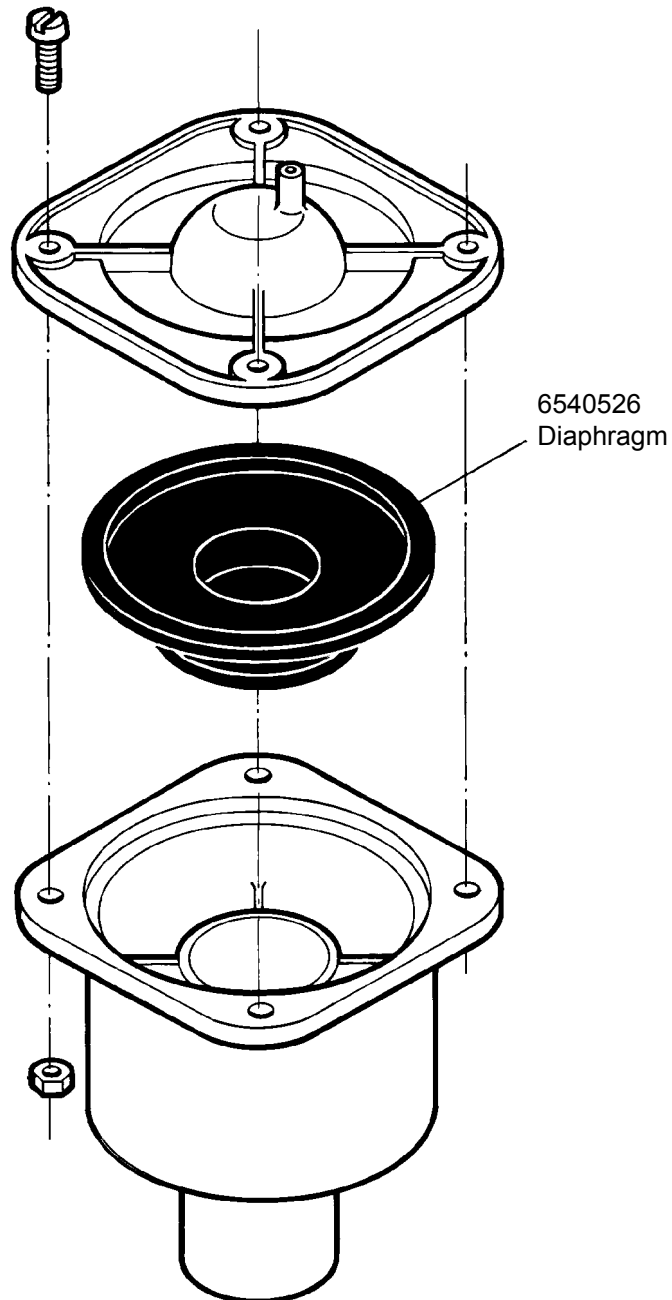
2 x 5821722 Sleeve



VACUUM INTERFACE VALVE

6540524 VENTILATOR

P/N 5575000 and P/N 5575001 are replaced by P/N 6540524



VACUUM INTERFACE VALVE

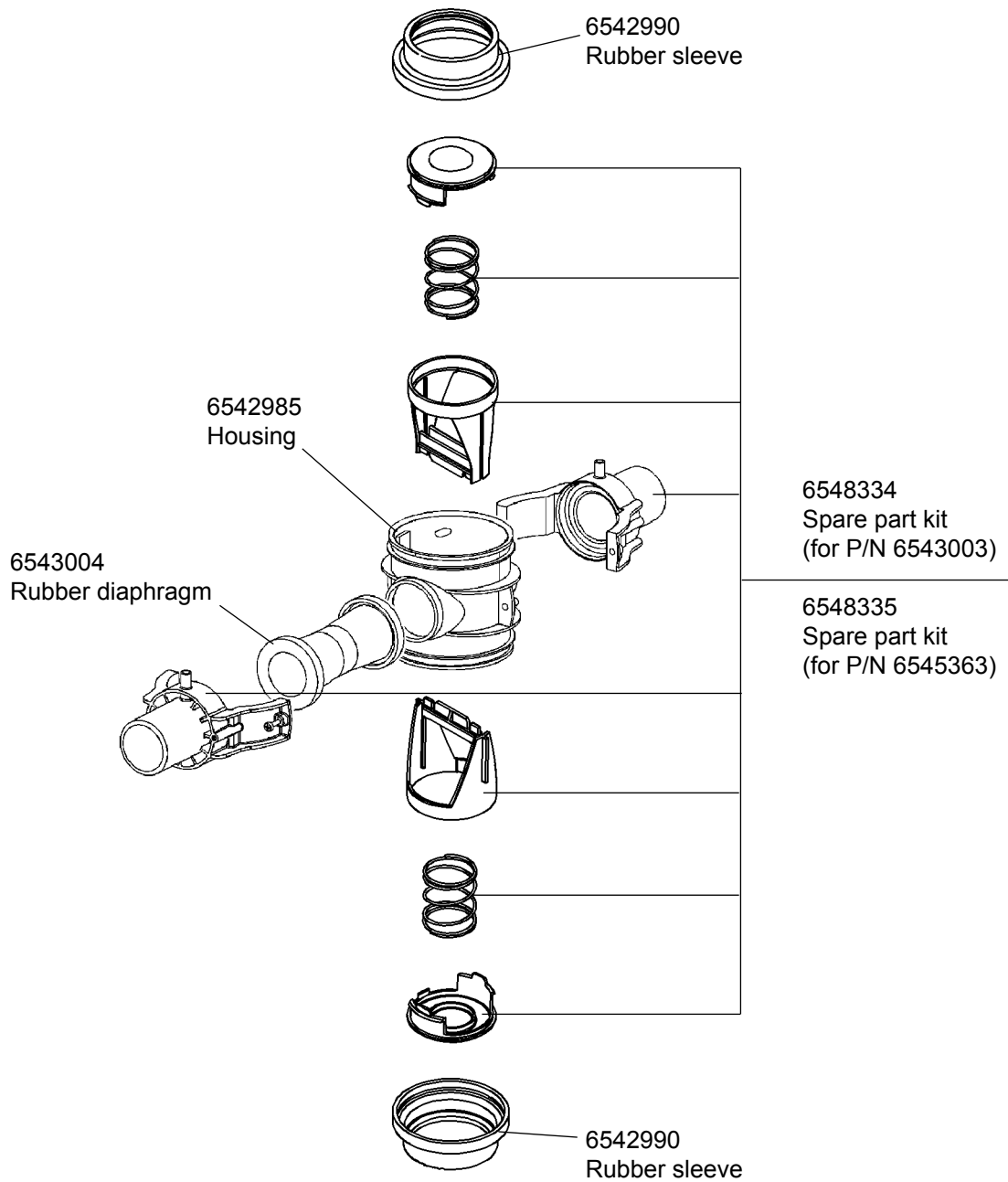
6543003 DISCHARGE VALVE

6545363 DISCHARGE VALVE

6547327 RECOMMENDED SPARE PART KIT:

1 x 6543004 Rubber diaphragm

2 x 6542990 Rubber sleeve



VACUUM INTERFACE VALVES

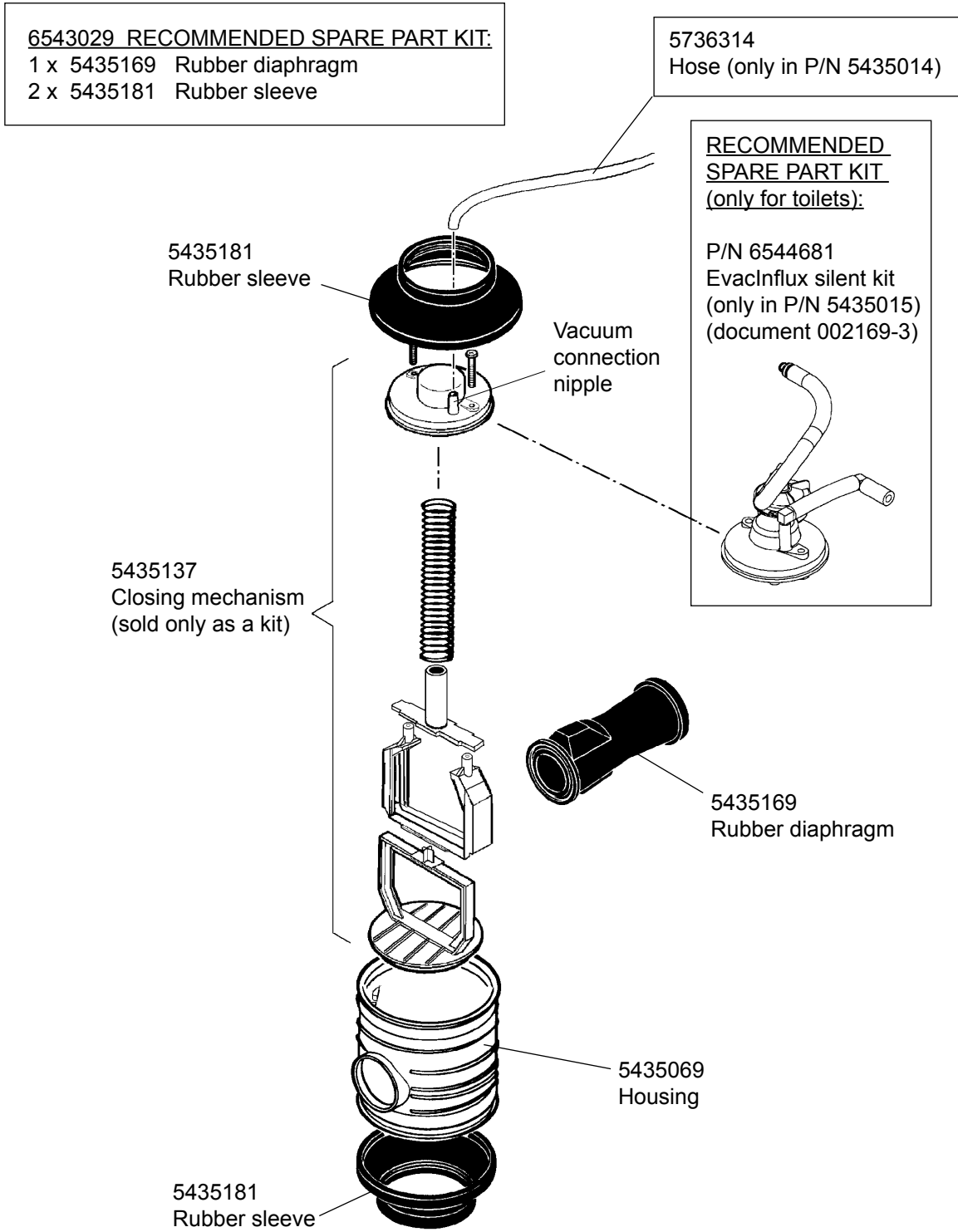
5435014 DISCHARGE VALVE

5435015 DISCHARGE VALVE

P/N 43501.3 and P/N 5435013 are replaced by P/N 5435014

P/N 5435015 Discharge valve (see diagram below).

P/N 5435014 Discharge valve includes Discharge valve P/N 5435015 + Hose (L = 210 mm) P/N 5736314.



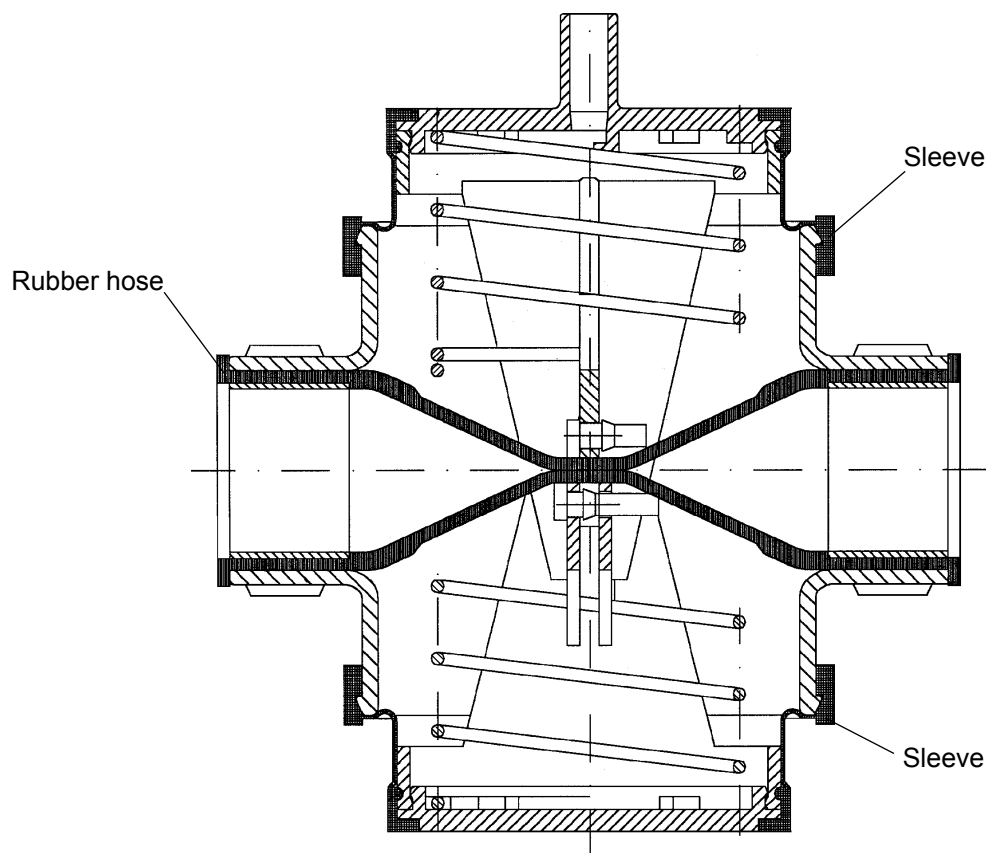
VACUUM INTERFACE VALVE

5821700 DISCHARGE VALVE

6543031 RECOMMENDED SPARE PART KIT:

1 x 5821720 Rubber hose

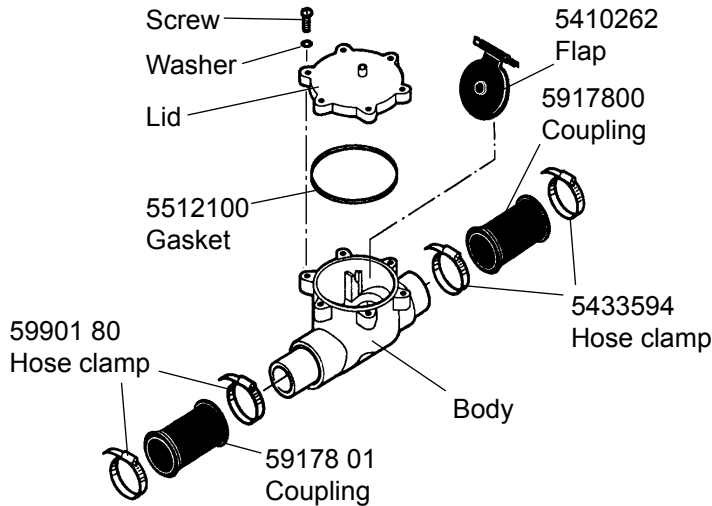
2 x 5821722 Sleeve



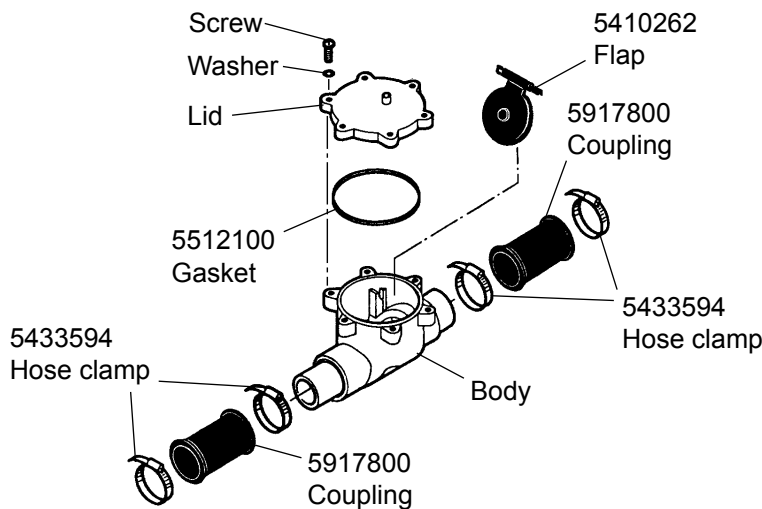
NON-RETURN VALVES

- 5509700 NON-RETURN VALVE DN50
- 5973400 NON-RETURN VALVE DN40 - DN50
- 5973401 NON-RETURN VALVE DN40 - DN40
- 5973402 NON-RETURN VALVE DN50 - DN50

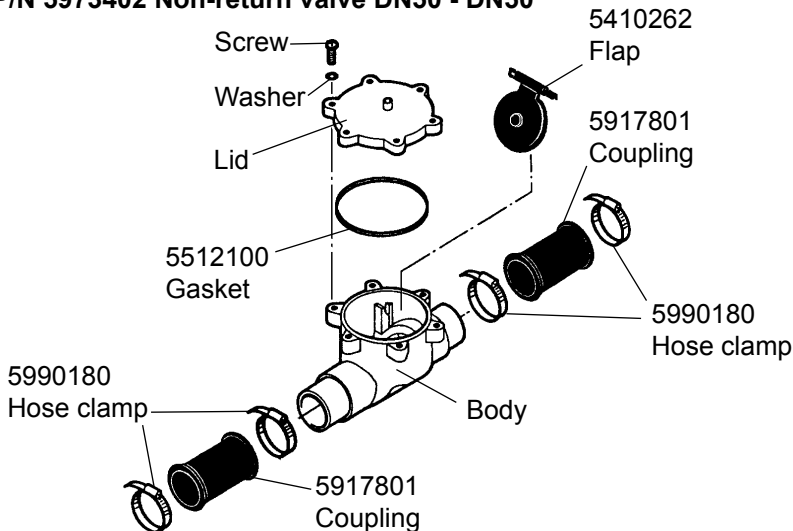
P/N 5973400 Non-return valve DN40 - DN50



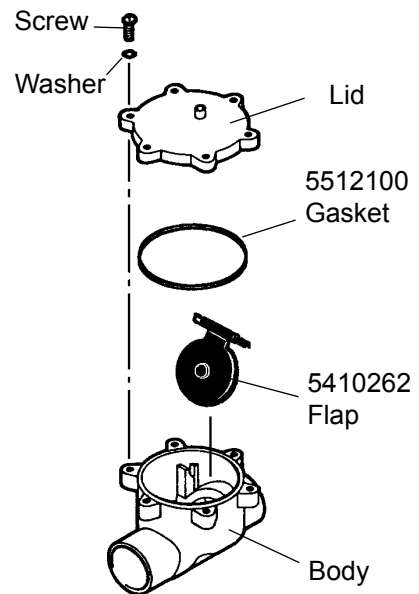
P/N 5973401 Non-return valve DN40 - DN40



P/N 5973402 Non-return valve DN50 - DN50



P/N 5509700 Non-return valve DN50



VACUUM INTERFACE VALVES

REPLACING PRODUCTS FOR VACUUM INTERFACE VALVES

Old products		Replacing products			
Name	P/N		P/N	Name	Link to document
Discharge valve	5435013 or 43501.3	▶	5435014	Discharge valve	6:110G
Vacuum interface unit, model 319	5438500	▶	6543469	Vacuum interface unit 2 L, sideways / downwards (plastic tank)	002225-4
		▶	6545873	Vacuum interface unit 5 L, downwards	002365-4
Control valve complete	5438836	▶	6542618	Retrofit kit 319 for Vacuum interface unit 319	9:00059D
Blue activator	5573102 + 5701401	▶	6542151	Retrofit kit for vacuum interface units with blue activator	9:00061E
Ventilator complete	5575000	▶	6540524	Ventilator	6:01077D
Ventilator complete	5575001	▶	6540524	Ventilator	6:01077D
Mini-check valve	5959900	▶	5959902	Mini-check valve	-
Discharge valve	5979000	▶	6542811	Discharge valve	-
Discharge valve	5979010	▶	6542810	Discharge valve	-
Vacuum interface unit 10 L, downwards	5979500	▶	6543469	Vacuum interface unit 2 L, sideways / downwards (plastic tank)	002225-4
		▶	6545873	Vacuum interface unit 5 L, downwards	002365-4
Vacuum interface unit 10 L, upwards	5979600	▶	6543521	Vacuum interface unit 2 L, upwards (plastic tank)	002224-6
		▶	6545872	Vacuum interface unit 5 L, upwards	002366-5
Vacuum interface unit 5 L, downwards / horizontal	5980914	▶	6543469	Vacuum interface unit 2 L, sideways / downwards (plastic tank)	002225-4
		▶	6545873	Vacuum interface unit 5 L, downwards	002365-4
Vacuum interface unit 5 L, upwards	5981000	▶	6543521	Vacuum interface unit 2 L, upwards (plastic tank)	002224-6
		▶	6545872	Vacuum interface unit 5 L, upwards	002366-5
Vacuum interface unit 7 L, upwards	6540539	▶	6545872	Vacuum interface unit 5 L, upwards	002366-5
Vacuum interface unit 7 L, downwards	6540837	▶	6545873	Vacuum interface unit 5 L, downwards	002365-4
Vacuum interface unit 7 L, downwards	6541672	▶	6543469	Vacuum interface unit 2 L, sideways / downwards (plastic tank)	002225-4
		▶	6545873	Vacuum interface unit 5 L, downwards	002365-4
Vacuum interface unit 7 L, upwards	6541673	▶	6543521	Vacuum interface unit 2 L, sideways / upwards (plastic tank)	002224-6
		▶	6545872	Vacuum interface unit 5 L, upwards	002366-5
Vacuum interface unit 10 L, upwards	6542586	▶	6543521	Vacuum interface unit 2 L, upwards (plastic tank)	002224-6
		▶	6545872	Vacuum interface unit 5 L, upwards	002366-5
Vacuum interface unit 10 L, downwards	6542601	▶	6543469	Vacuum interface unit 2 L, sideways / downwards (plastic tank)	002225-4
		▶	6545873	Vacuum interface unit 5 L, downwards	002365-4
Discharge valve	6542811	▶	6548362	Discharge valve kit	002548-1
Vacuum interface unit for gravity toilet	6543139	▶	6548640	Vacuum interface unit for gravity toilet	002526-3

VACUUM INTERFACE VALVES

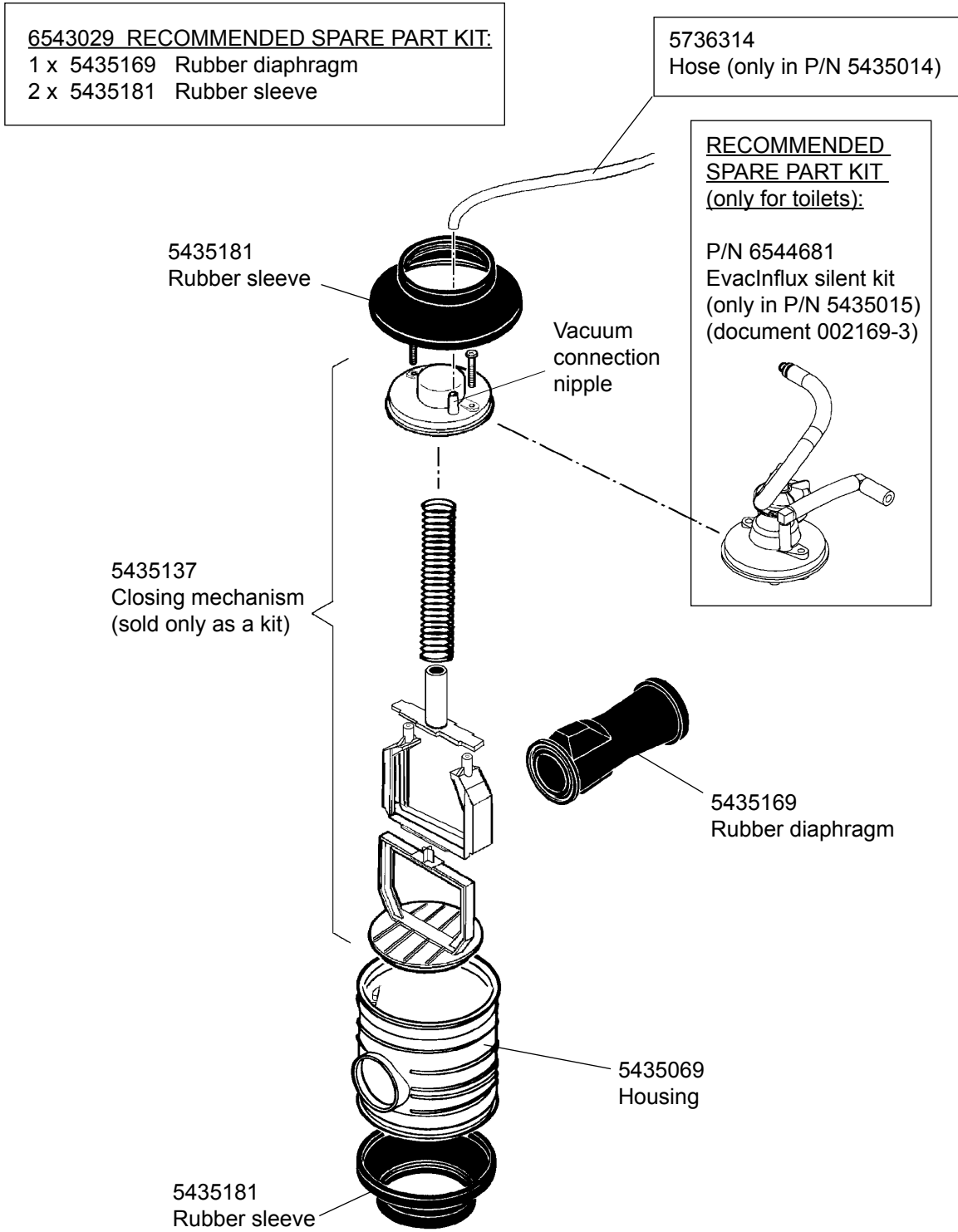
5435014 DISCHARGE VALVE

5435015 DISCHARGE VALVE

P/N 43501.3 and P/N 5435013 are replaced by P/N 5435014

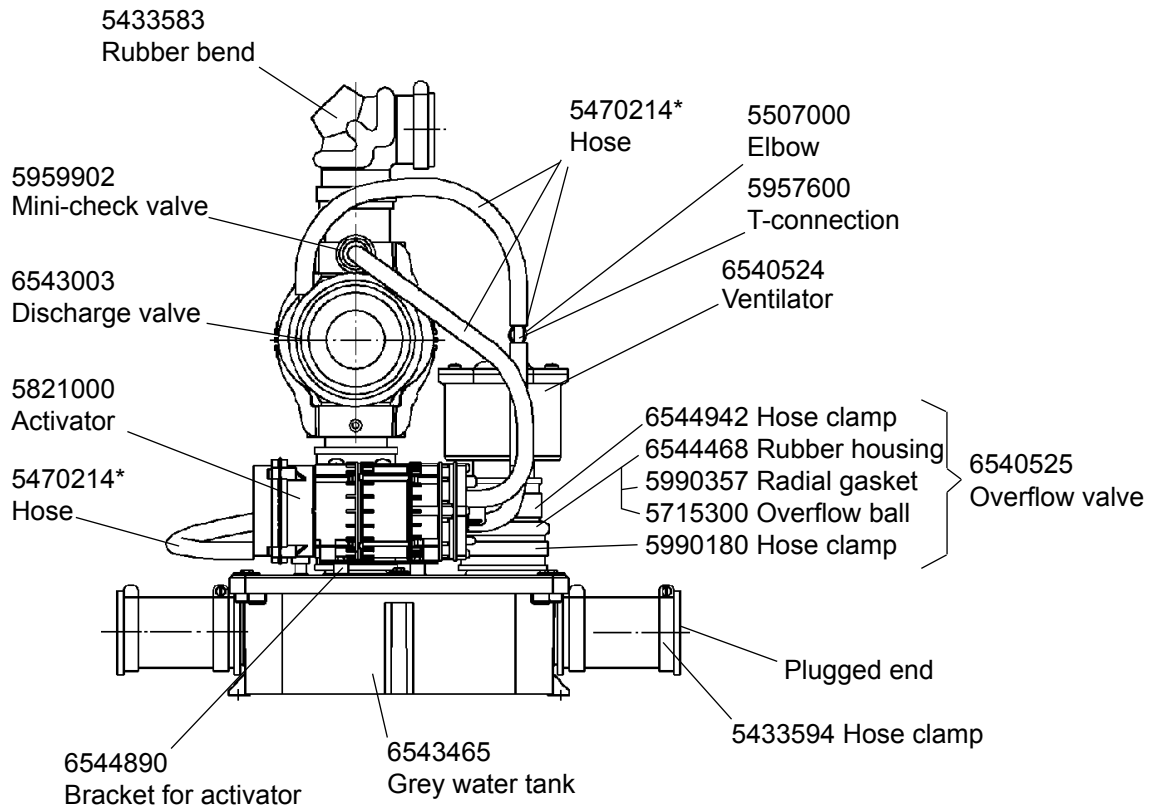
P/N 5435015 Discharge valve (see diagram below).

P/N 5435014 Discharge valve includes Discharge valve P/N 5435015 + Hose (L = 210 mm) P/N 5736314.



VACUUM INTERFACE VALVE

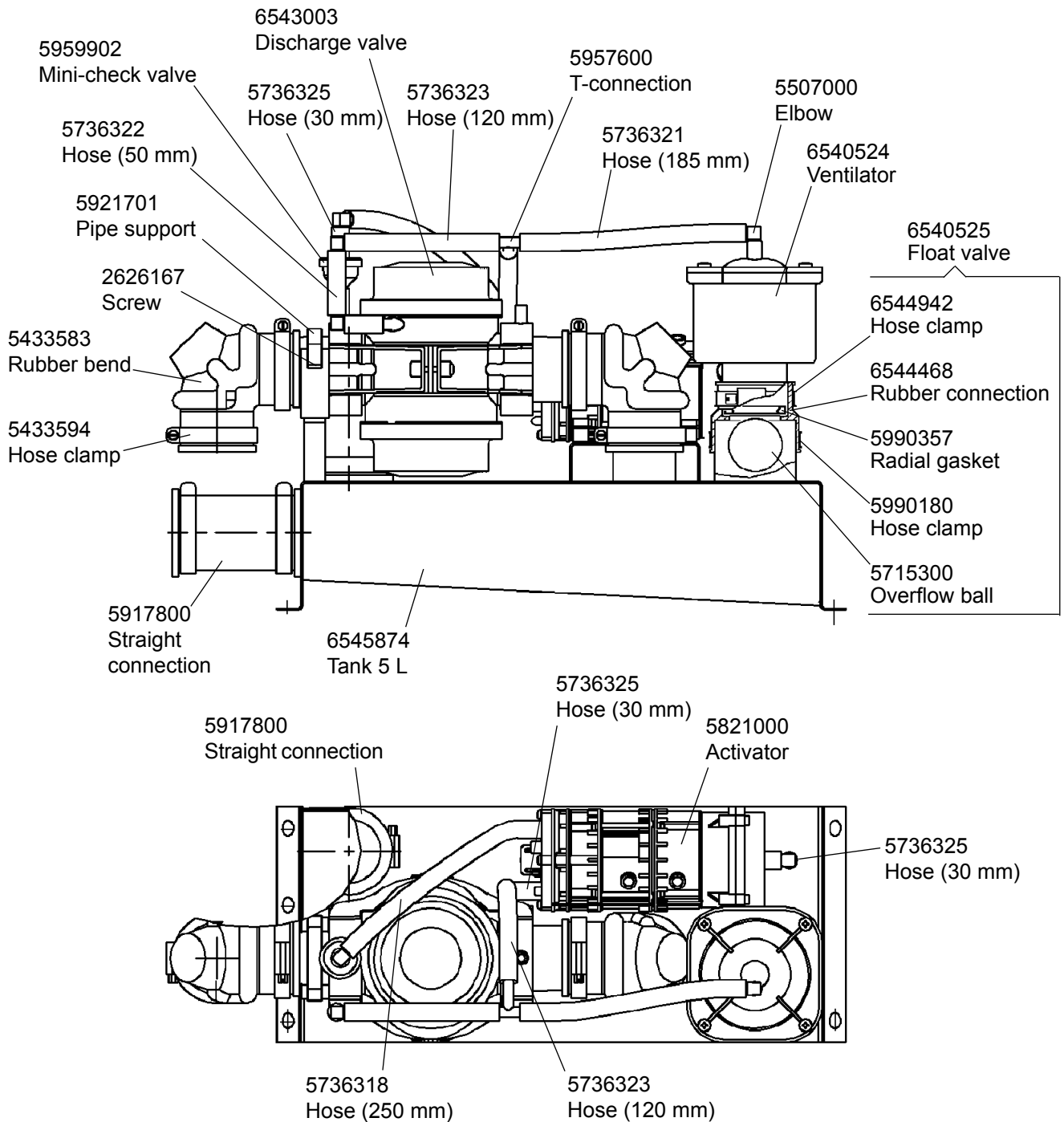
6543469 VACUUM INTERFACE UNIT 2 L, CONNECTION DOWNWARDS / SIDEWARDS



* All the hoses with Evac part number (P/N 5470214) are available in meters so please inform the length, when ordering.

VACUUM INTERFACE VALVE

6545873 VACUUM INTERFACE UNIT 5 L, CONNECTION DOWNWARDS



P/N 6542618 RETROFIT KIT 319 FOR VACUUM INTERFACE UNIT 319

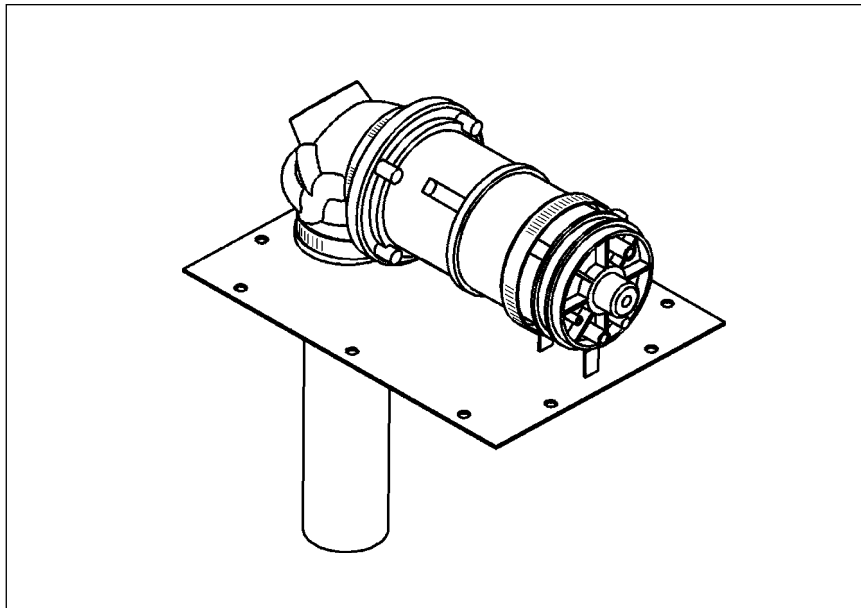


Table of contents

Installation:

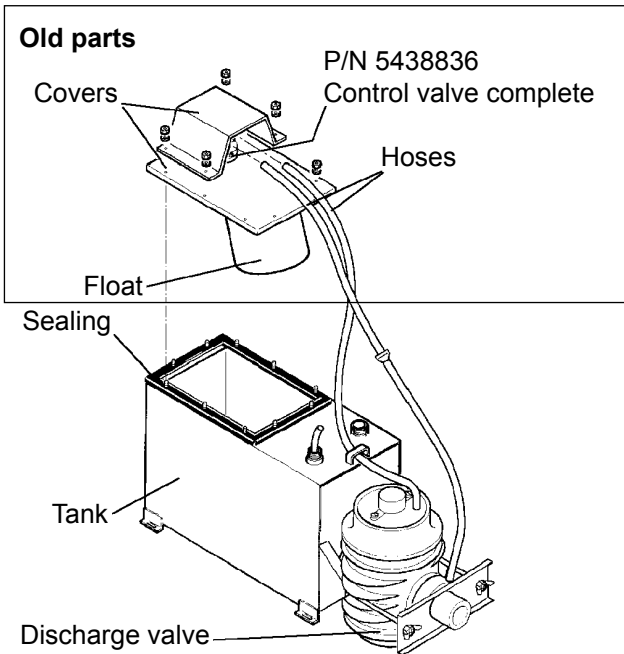
6542618 Retrofit kit 319 for Vacuum interface unit 319..... Doc no. 2:01071C

Spare parts:

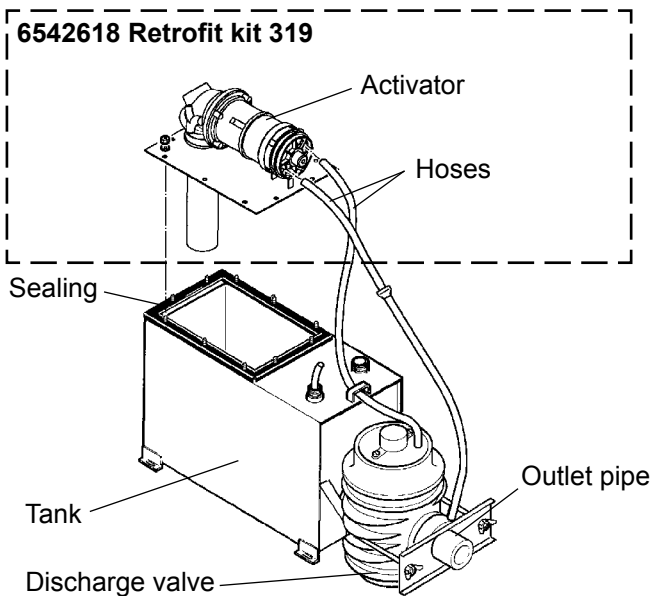
6542618 Retrofit kit 319 for Vacuum interface unit 319..... Doc no. 6:01115C

VACUUM INTERFACE VALVES

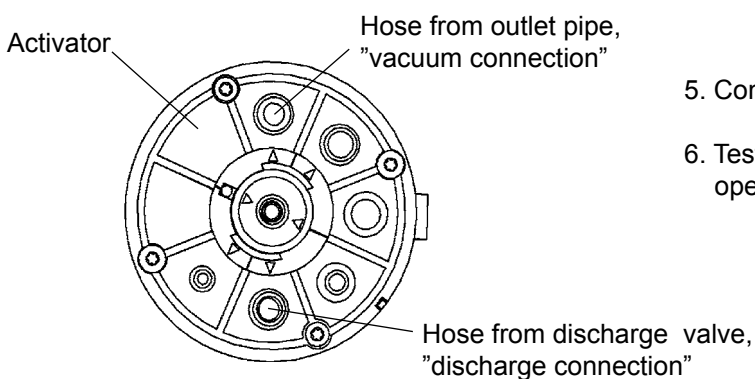
6542618 RETROFIT KIT 319 FOR VACUUM INTERFACE UNIT 319 (P/N 5438500, P/N 5438502)



1. Remove old parts.
2. Disconnect hoses from the control mechanism.



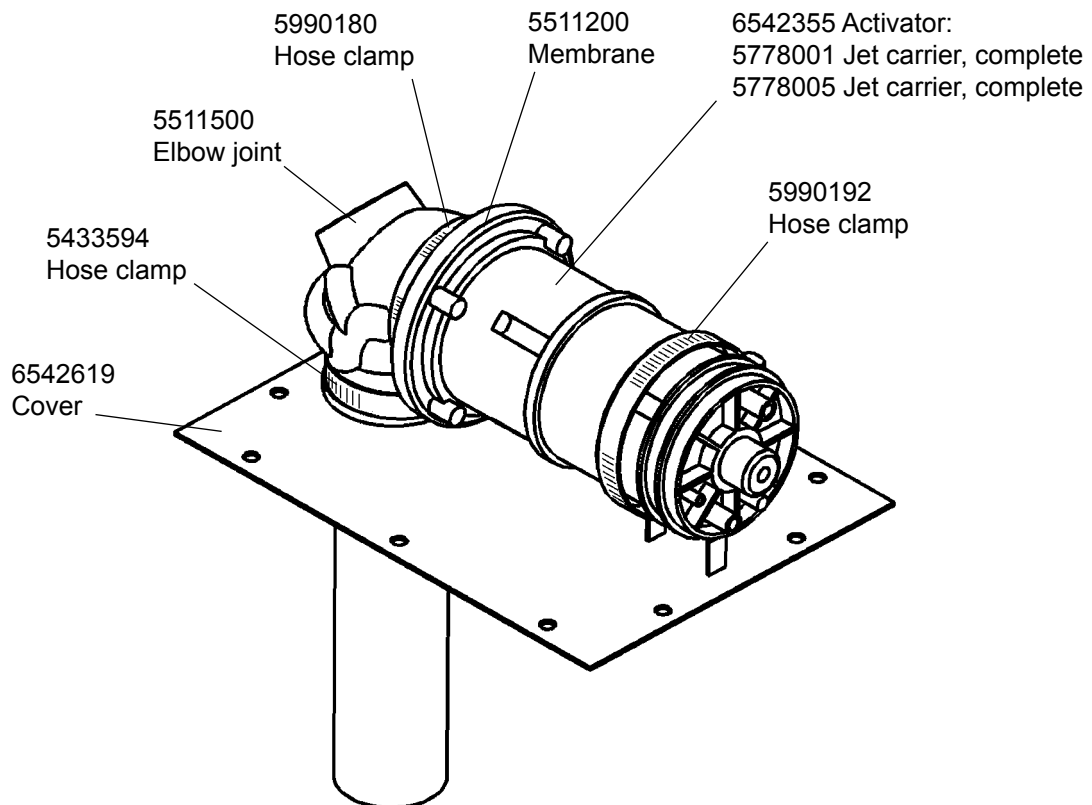
3. Install P/N 6542618 Retrofit kit 319 using old screws and washers on the tank.
4. Check the right length of hoses to get smooth routing.



5. Connect hoses to the activator.
6. Test the interface valve water tightness and operation.

VACUUM INTERFACE VALVES

6542618 RETROFIT KIT 319 FOR VACUUM INTERFACE UNIT 319



P/N 6542151 RETROFIT KIT FOR VACUUM INTERFACE UNITS WITH BLUE ACTIVATOR

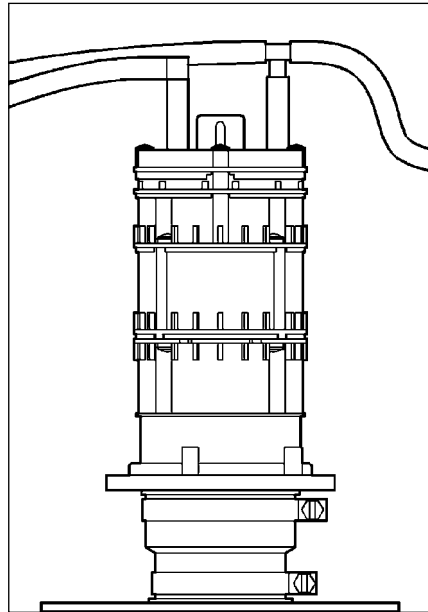


Table of contents

Installation:

6542151 Retrofit kit for Vacuum interface units with Blue activator..... Doc no. 2:01056F

Maintenance:

5980914, 5981000, 5979500 and 5979600 Vacuum interface units 5L/10L, down-/upwards
with Retrofit kit (6542151)..... Doc no. 3:01122C

Trouble shooting:

5980914, 5981000, 5979500 and 5979600 Vacuum interface unit 5L/10L, down-/upwards
with Retrofit kit (6542151)..... Doc no. 4:01028C

Spare parts:

5980914, 5981000, 5979500 and 5979600 Vacuum interface unit 5L/10L, down-/upwards
with Retrofit kit (6542151)..... Doc no. 6:01116E

VACUUM INTERFACE VALVE

6542151 RETROFIT KIT FOR (P/N 5980914, 5981000, 5979500, 5979600) VACUUM INTERFACE UNITS WITH BLUE ACTIVATOR

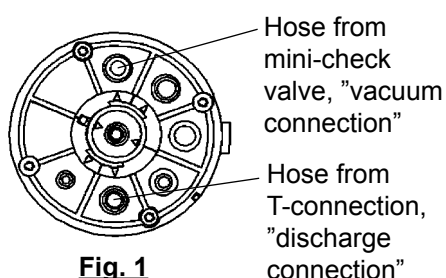
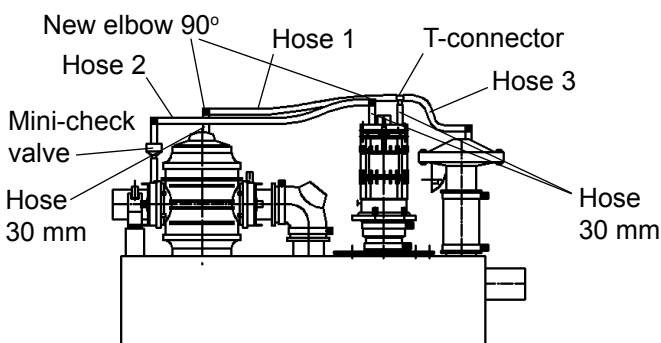
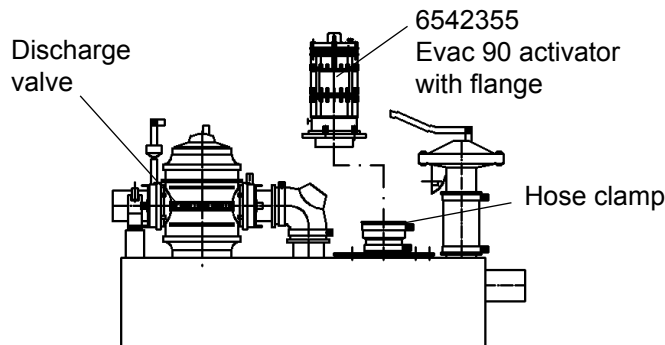
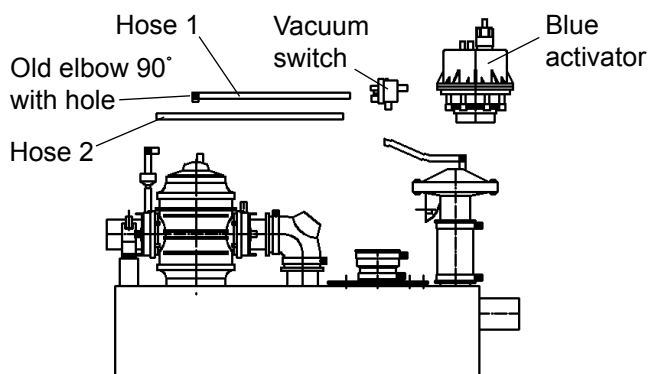
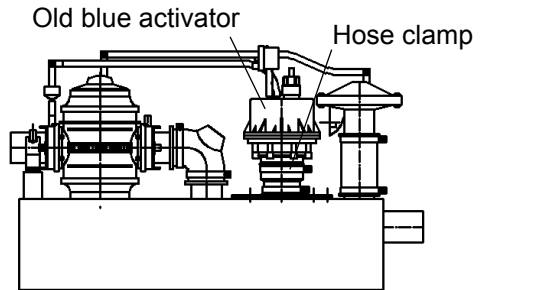


Fig. 1

6542151 Retrofit kit consists of:
 6542355 Evac 90 Activator with flange
 5957600 T-connector
 5507000 Elbow 90° (x2)
 5470214 Hose 14/7 mm
 6542679 Product information

Vacuum interface unit with blue activator, old product version

Remove old blue activator:

1. Disconnect the hoses of the blue activator.
2. Unfasten the hose clamp.
3. Remove the blue activator.
4. Remove the vacuum switch.
5. Remove the old elbow 90° (with drilled hole on discharge valve) and old hoses (hose 1 and 2).

Vacuum interface unit with Retrofit kit

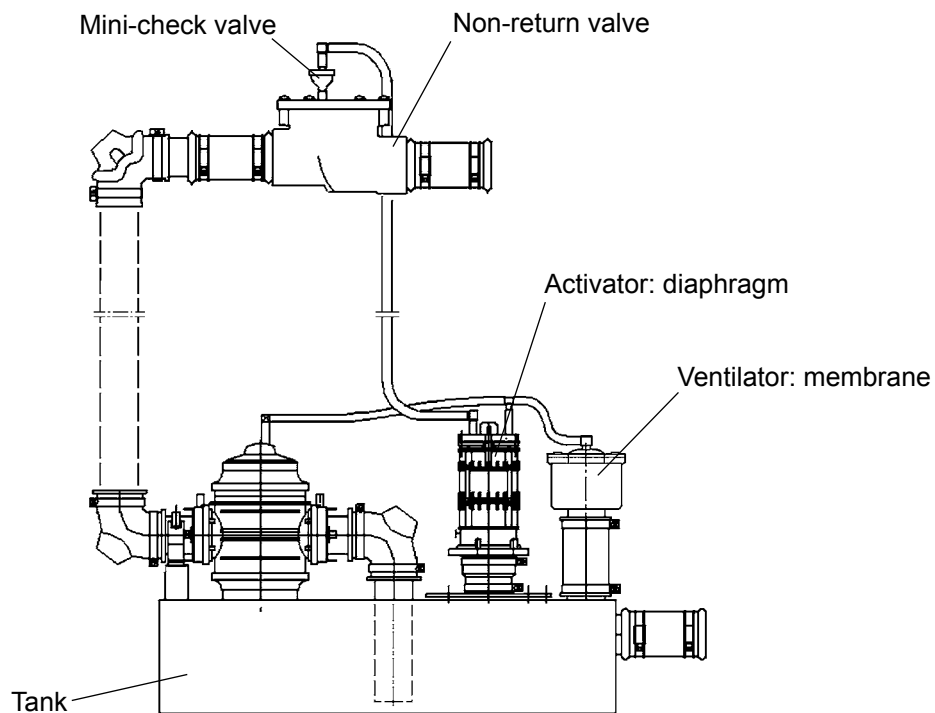
Install a retrofit kit:

1. Install a new retrofit kit activator (P/N 6542355).
2. Fasten the hose clamp.
3. Install a new elbow 90° (without drilled hole) to the discharge valve's connection using 30 mm length hose.
4. Install an elbow 90° to the Evac 90 Activator's "discharge" connection using 30 mm length hose (Fig. 1).
5. Cut the hose 1. Check the right length to get smooth routing.
6. Install the hose 1 and connect it with the hose 3 using a T-connector. Connect the T-connector's free connection to the Evac 90 Activator's "discharge" connection (Fig. 1). Use 30 mm length hose between elbow 90° and T-connector.
7. Install a new elbow 90° to the activator's "vacuum" connection using 30 mm length hose.
8. Install the hose 2 between the mini-check valve and the Evac 90 Activator's connection (Fig. 1). Check the right length to get smooth routing.
9. Test operation of the interface valve .

VACUUM INTERFACE VALVE

- 5980914 VACUUM INTERFACE UNIT 5 L, DOWNWARDS WITH RETROFIT KIT (6542151)
5981000 VACUUM INTERFACE UNIT 5 L, UPWARDS WITH RETROFIT KIT (6542151)
5979500 VACUUM INTERFACE UNIT 10 L, DOWNWARDS WITH RETROFIT KIT (6542151)
5979600 VACUUM INTERFACE UNIT 10 L, UPWARDS WITH RETROFIT KIT (6542151)

Maintenance



The vacuum interface unit does not require any regular maintenance. However, it is advisable for faultless long term operation, that following actions are done.

Every year:

- check operation
- clean the tank by running clean water into the tank so that the emptying cycle is repeated many times (if there is a risk of sedimentation at the bottom of the tank, open and clean the tank)
- check possible water leakages

Every five years:

- open and clean the tank
- check and clean the activator's level diaphragm (P/N 5511200)
- change the membrane (P/N 6540526) of the ventilator
- change the mini-check valve (P/N 5959902)
- clean the non-return valve (P/N 5973401) when applicable

VACUUM INTERFACE VALVE

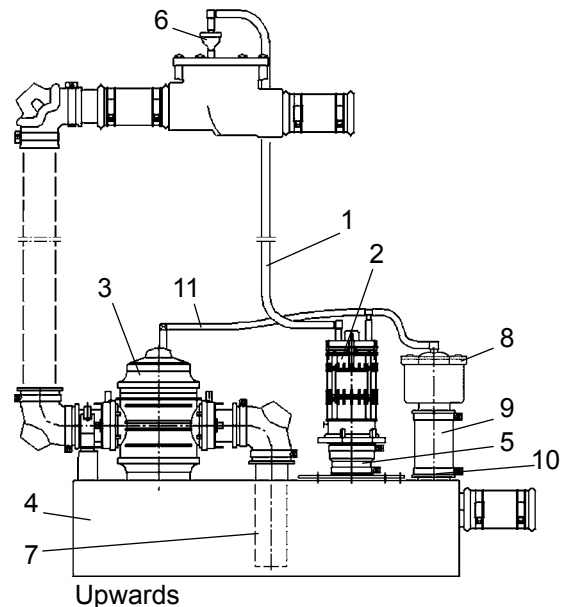
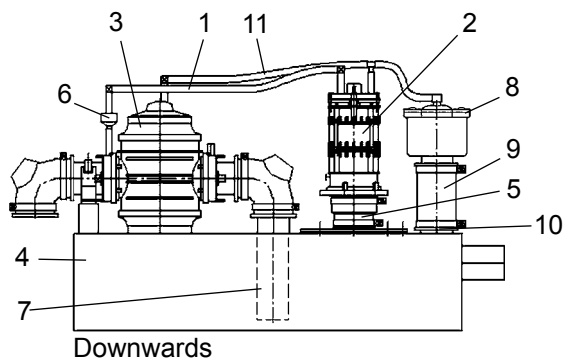
5980914 VACUUM INTERFACE UNIT 5 L, DOWNWARDS WITH RETROFIT KIT (6542151)

5981000 VACUUM INTERFACE UNIT 5 L, UPWARDS WITH RETROFIT KIT (6542151)

5979500 VACUUM INTERFACE UNIT 10 L, DOWNWARDS WITH RETROFIT KIT (6542151)

5979600 VACUUM INTERFACE UNIT 10 L, UPWARDS WITH RETROFIT KIT (6542151)

- | | |
|--------------------------|---------------------|
| 1. Vacuum hose | 8. Ventilator valve |
| 2. Activator | 9. Float valve |
| 3. Discharge valve | 10. Vent pipe |
| 4. Tank | 11. Vacuum hose |
| 5. Rubber diaphragm | |
| 6. Mini-check valve | |
| 7. Suction pipe (inside) | |



Trouble	Cause	Remedy
Vacuum Interface unit does not operate. (Water rises in the bath tub or wash basin or equal.)	• If vacuum is less than -25 kPa, vacuum is insufficient.	• Check vacuum collecting unit functioning.
	• Piping between bath/wash basin and vacuum interface valve is blocked.	• Remove blockages.
	• Piping between vacuum interface unit and vacuum collecting unit is blocked.	• Remove blockages.
	• Activator does not operate.	<ul style="list-style-type: none"> • Check activator operation: Remove vacuum hose (1) from the activator (2) and connect it directly to discharge valve (3). If valve opens, activator is not functioning. Replace activator. • Loose activator (2) from the tank (4). Do not loose vacuum hoses and activator from the adapter. Check rubber diaphragm (5). If OK, press it gently from the middle. If discharge valve operates, activator is OK. Otherwise replace faulty activator. Empty the tank. • Check that mini-check valve (6) or vacuum hose is not blocked. Remove blockages from the hose. If mini-check valve is blocked, replace it.
	• Discharge valve or suction pipe is blocked.	• Check discharge valve (3) and suction pipe (7). Remove blockages.

Continued on the next page.



VACUUM INTERFACE VALVE

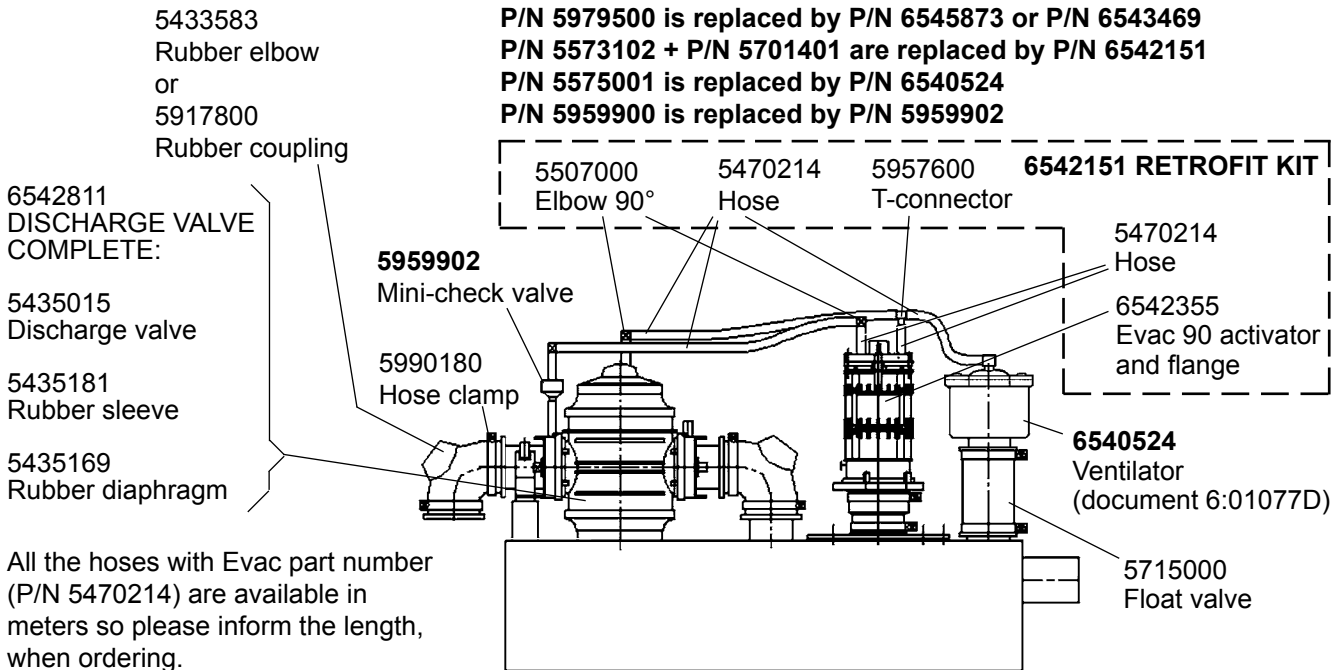
- 5980914 VACUUM INTERFACE UNIT 5 L, DOWNWARDS WITH RETROFIT KIT (6542151)
5981000 VACUUM INTERFACE UNIT 5 L, UPWARDS WITH RETROFIT KIT (6542151)
5979500 VACUUM INTERFACE UNIT 10 L, DOWNWARDS WITH RETROFIT KIT (6542151)
5979600 VACUUM INTERFACE UNIT 10 L, UPWARDS WITH RETROFIT KIT (6542151)

Trouble	Cause	Remedy
Vacuum interface unit leaks. (water overflow)	<ul style="list-style-type: none">Nuts and hose clamps are not tight. Float valve does not seal.	<ul style="list-style-type: none">Check hose clamps tightness. Loose ventilator valve (8) and check that float valve (9) and sealing surface are clean. Clean if needed.
Discharge valve leaks. (vacuum leakage)	<ul style="list-style-type: none">Discharge valve does not seal.	<ul style="list-style-type: none">Disconnect vacuum hoses (11) from discharge valve to see if valve seals. If valve remains open even when vacuum hoses are disconnected, loose discharge valve and check whether rubber diaphragm is blocked.
Water traps are emptied each time when discharge valve operates.	<ul style="list-style-type: none">Ventilator valve does not operate.	<ul style="list-style-type: none">Check that ventilator valve opens each time discharge valve operates. Check that vacuum hose is connected to the ventilator valve. Check that ventilator pipe (10) is open.
Discharge valve stays open.	<ul style="list-style-type: none">Activator does not operate.Discharge valve is "blocked".	<ul style="list-style-type: none">Replace activator.Remove blockages.

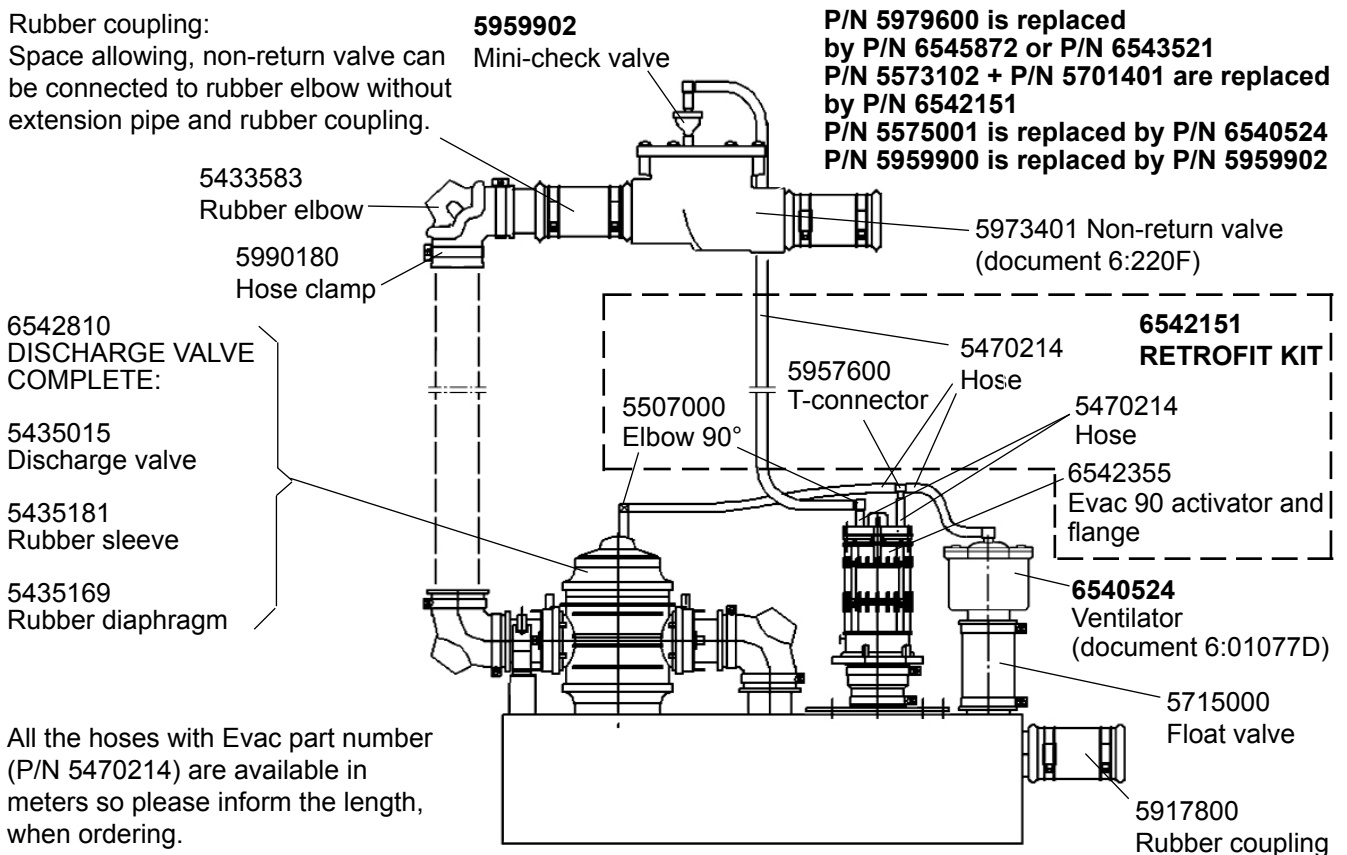
VACUUM INTERFACE VALVE

- 5980914 VACUUM INTERFACE UNIT 5 L, DOWNWARDS WITH RETROFIT KIT (6542151)
- 5981000 VACUUM INTERFACE UNIT 5 L, UPWARDS WITH RETROFIT KIT (6542151)
- 5979500 VACUUM INTERFACE UNIT 10 L, DOWNWARDS WITH RETROFIT KIT (6542151)
- 5979600 VACUUM INTERFACE UNIT 10 L, UPWARDS WITH RETROFIT KIT (6542151)

P/N 5980914 and P/N 5979500 with Retrofit kit P/N 6542151



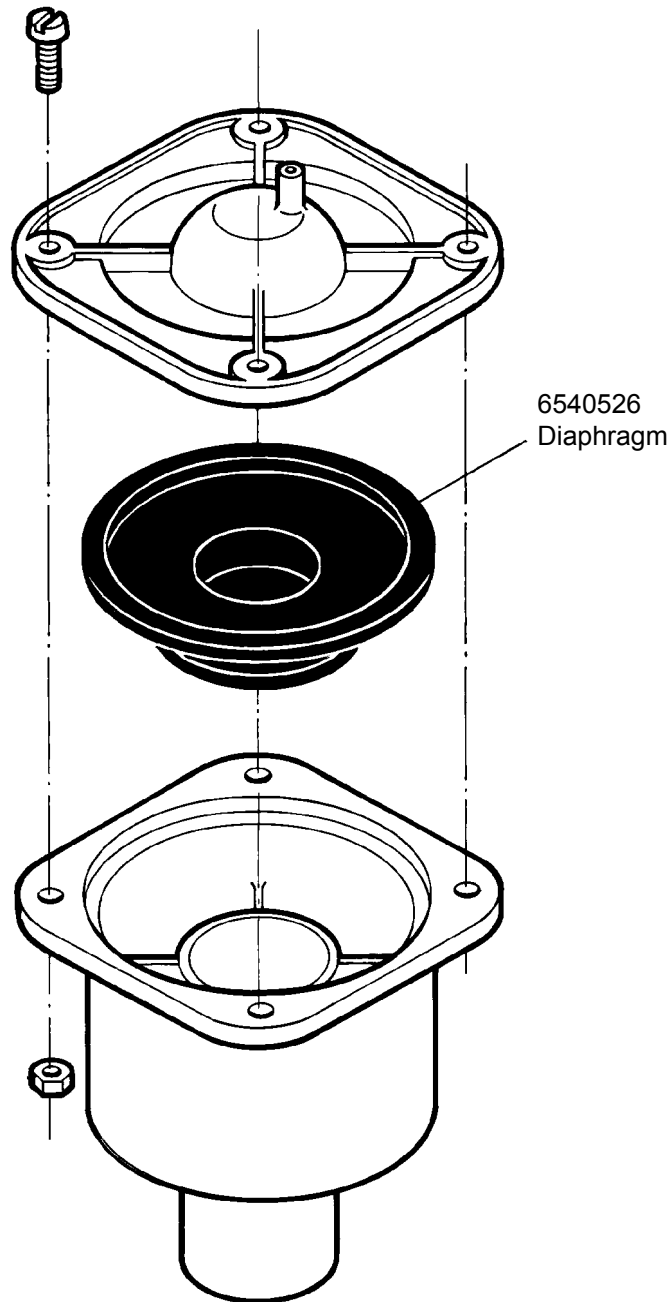
P/N 5981000 and P/N 5979600 with Retrofit kit P/N 6542151



VACUUM INTERFACE VALVE

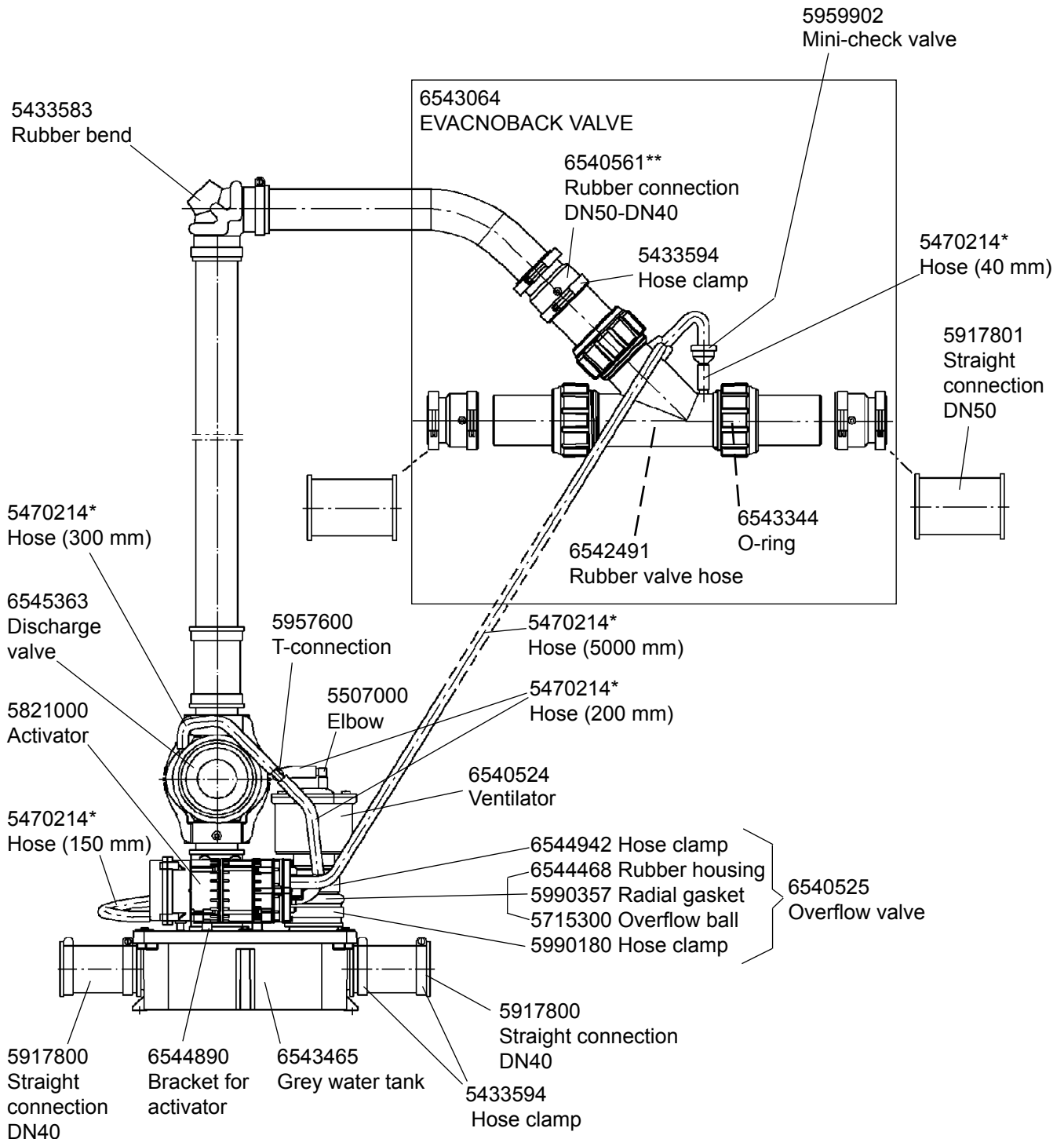
6540524 VENTILATOR

P/N 5575000 and P/N 5575001 are replaced by P/N 6540524



VACUUM INTERFACE VALVE

6543521 VACUUM INTERFACE UNIT 2 L, CONNECTION UPWARDS

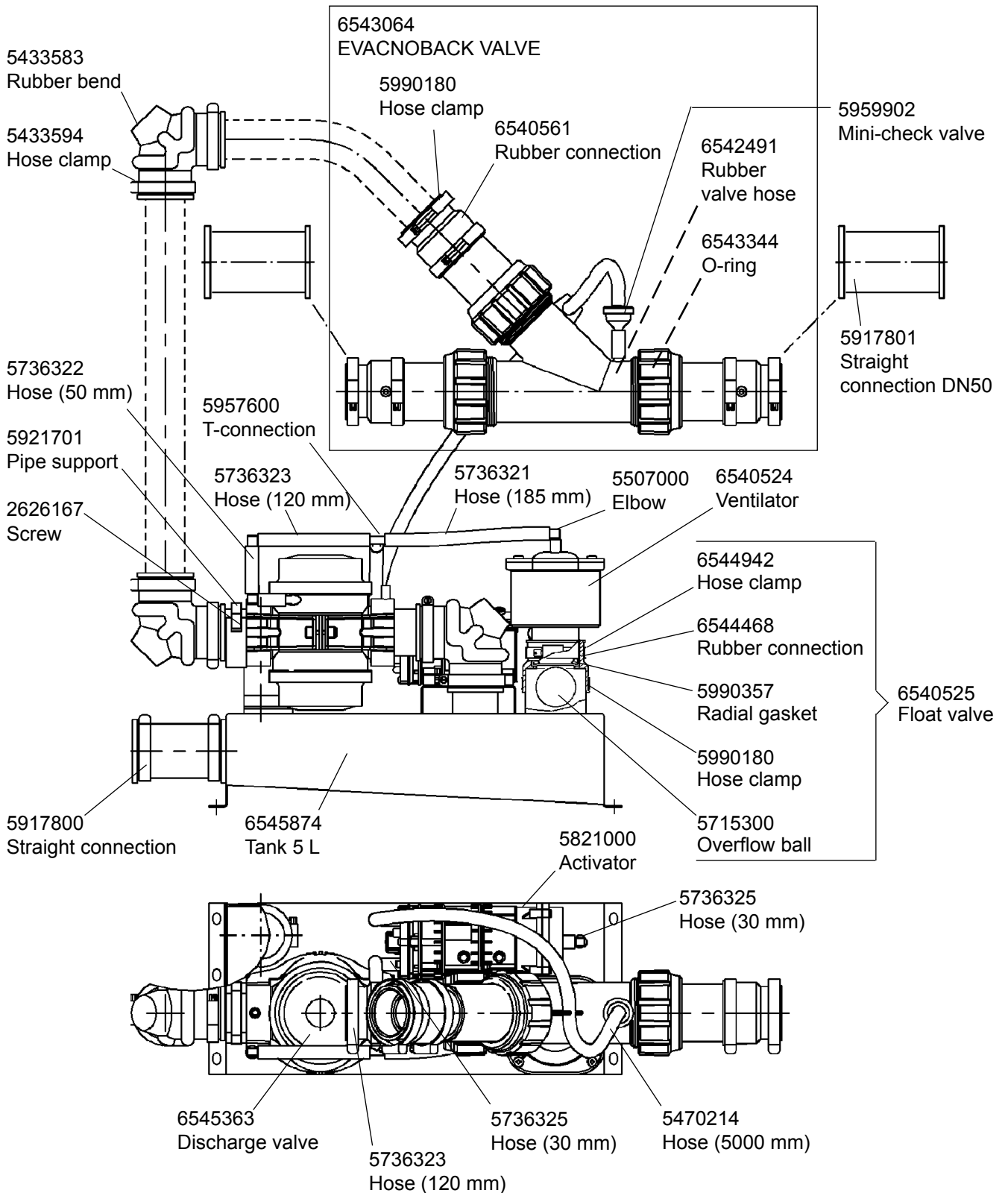


* All the hoses with Evac part number (P/N 5470214) are available in meters so please inform the length, when ordering.

** DN40 suitable for pipes O.D. 48-52 mm
 DN50 suitable for pipes O.D. 60-63 mm

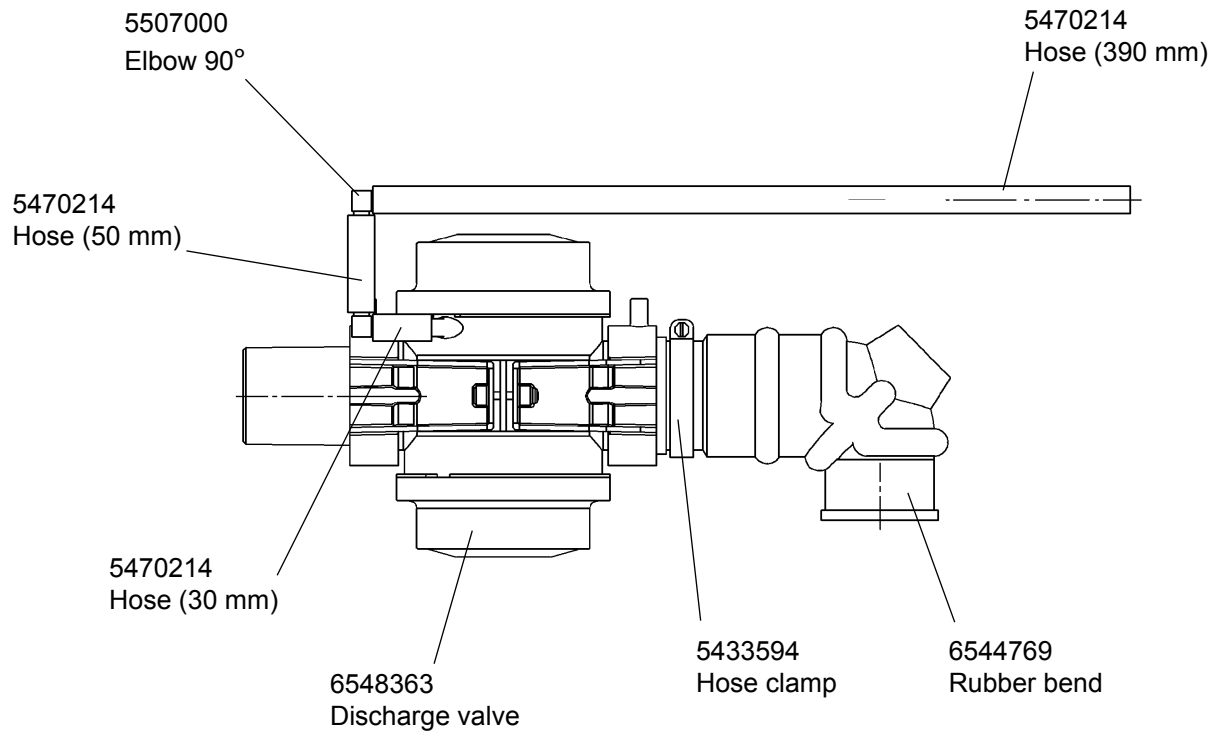
VACUUM INTERFACE VALVE

6545872 VACUUM INTERFACE UNIT 5 L, CONNECTION UPWARDS



VACUUM INTERFACE VALVES

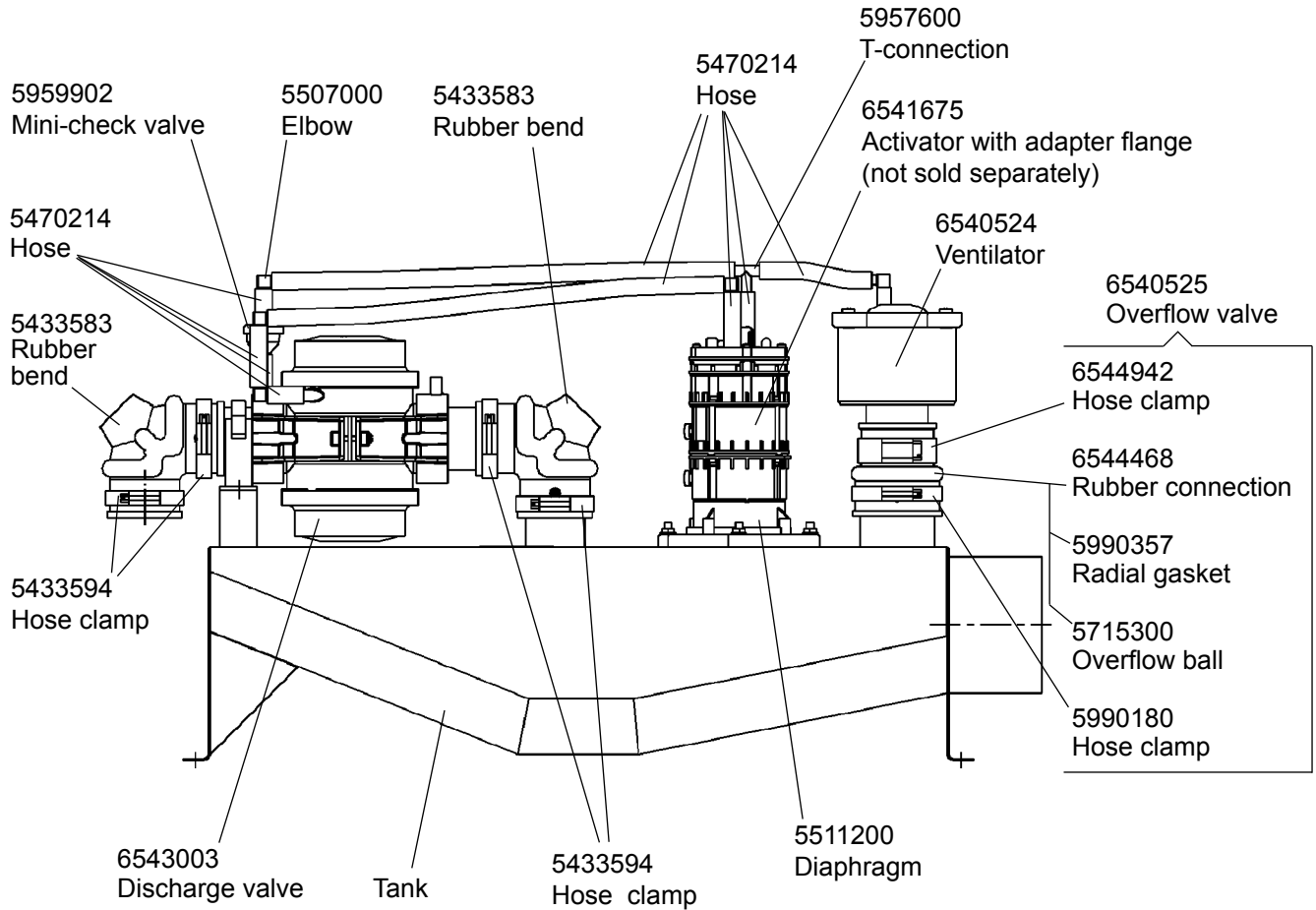
6548362 DISCHARGE VALVE KIT



All the hoses with Evac part number (P/N 5470214) are available in meters so please inform the length, when ordering.

VACUUM INTERFACE VALVE

6548640 VACUUM INTERFACE UNIT FOR GRAVITY TOILET



All the hoses with Evac part number (P/N 5470214) are available in meters so please inform the length, when ordering

3. COLLECTING UNITS

COLLECTING UNITS, DN100 WITH EJECTOR

COLLECTING UNITS, DN80 WITH EJECTOR

VACUUM TANK UNITS

EVAC ONLINEFLEX

EVAC ONLINEMAX

EVAC ONLINEVAC

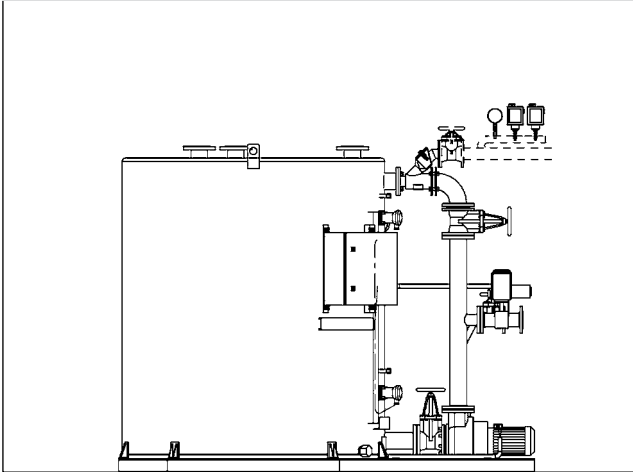
EVAC ON-LINE

EVAC ONLINE PUMPS

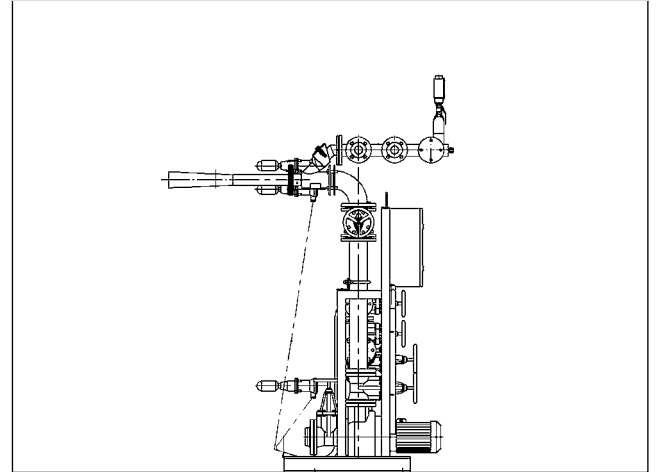
FU-40 AND FU-40/2

COLLECTING UNITS, DN100 WITH EJECTOR

STANDARD TANK



EASYFIT (TYPE 0121)

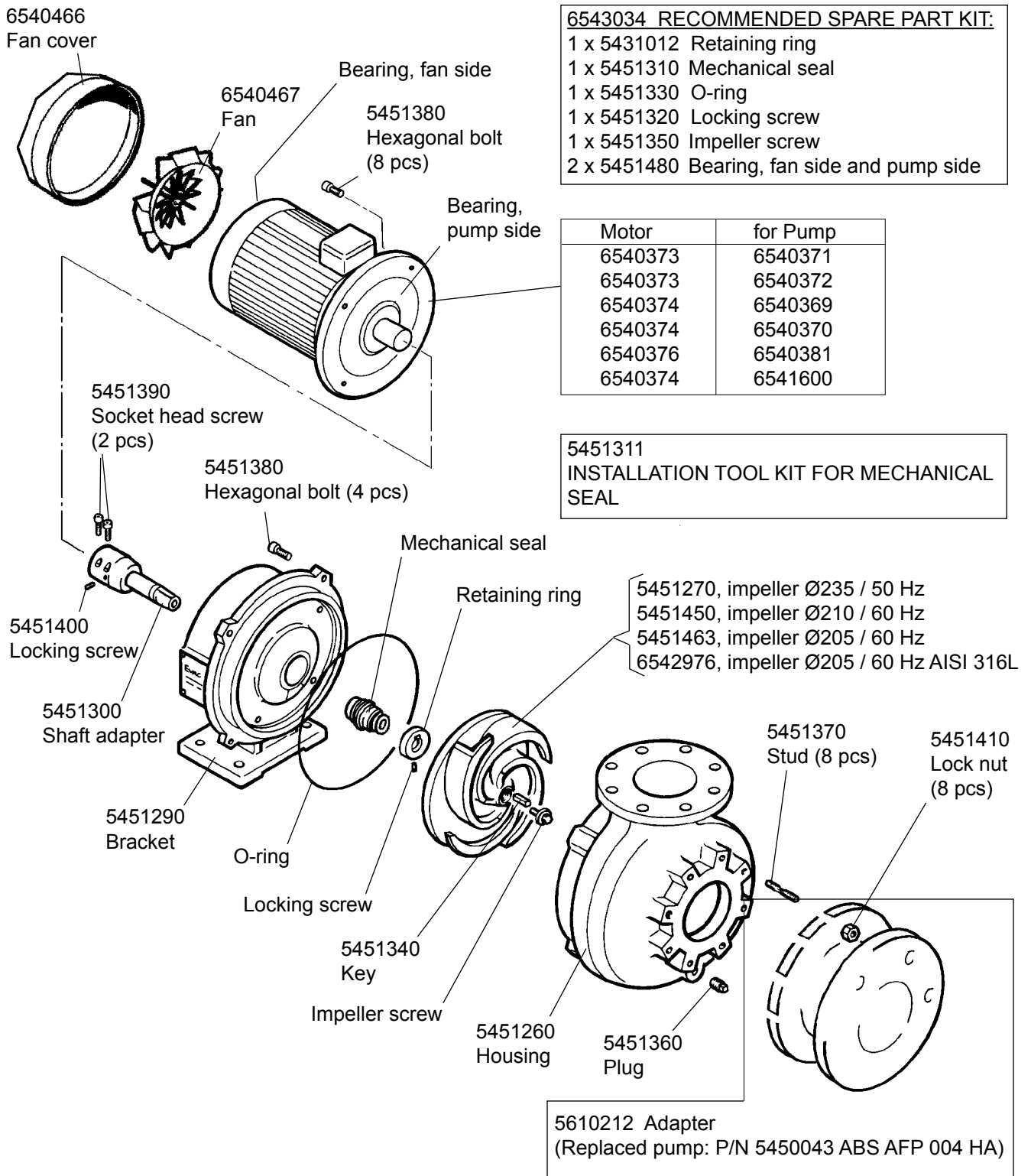


[Spare parts](#)

[Replacing products](#)

[Recommended products](#)

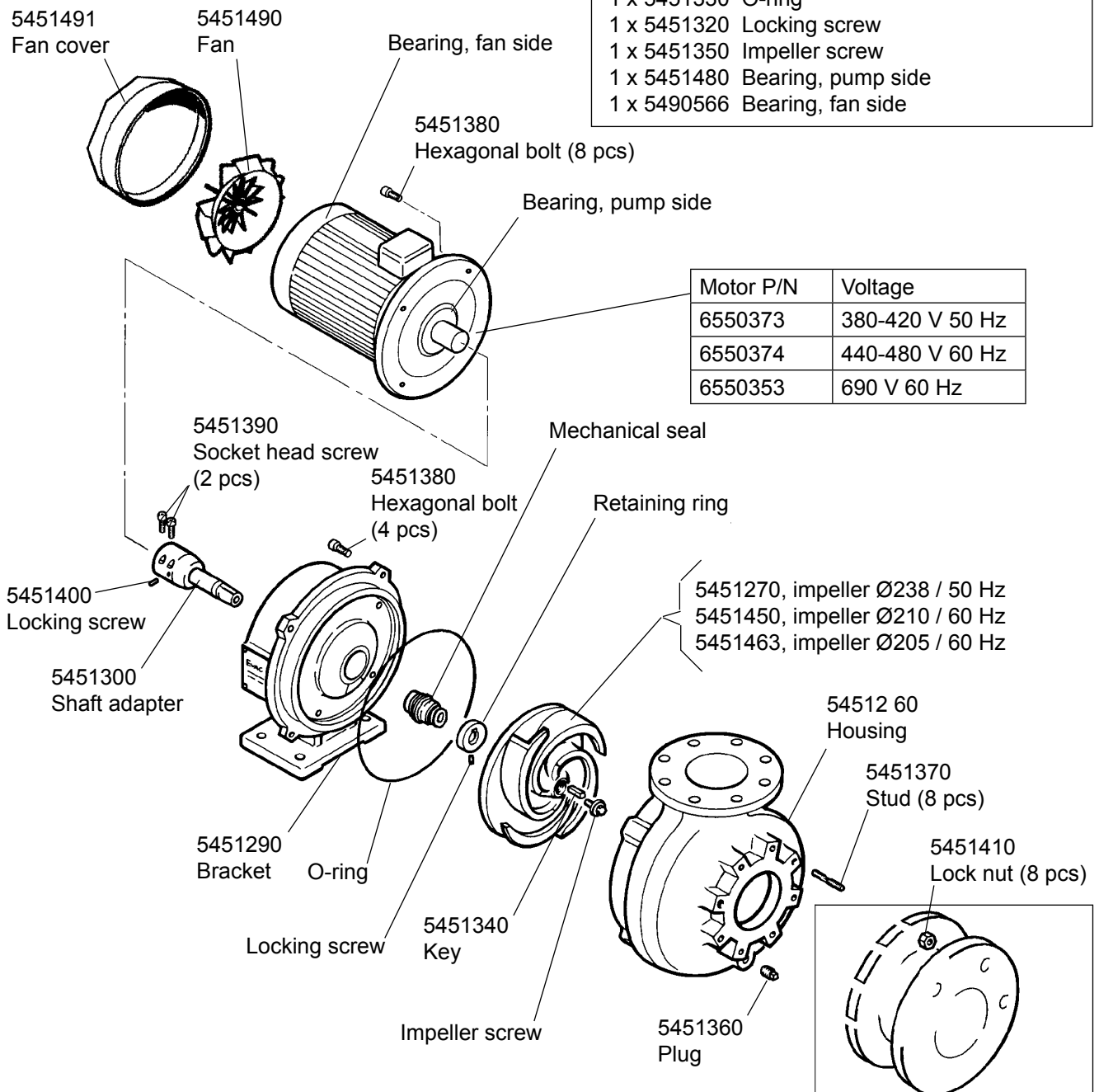
6540371	PUMP EVAC SE 044A, 3x230 V 60 Hz, IMPELLER Ø210
6540372	PUMP EVAC SE 044A, 3x220 V 50 Hz, IMPELLER Ø235
6540369	PUMP EVAC SE 044A, 3x400 V 50 Hz, IMPELLER Ø235
6540370	PUMP EVAC SE 044A, 3x460 V 60 Hz, IMPELLER Ø210
6540381	PUMP EVAC SE 044A, 3x690 V 60 Hz, IMPELLER Ø205
6541600	PUMP EVAC SE 044A, 3x660 V 50 Hz, IMPELLER Ø235



5451140	PUMP EVAC SE 044A, 3x230 V 60 Hz, IMPELLER Ø210
5451145	PUMP EVAC SE 044A, 3x220 V 50 Hz, IMPELLER Ø238
5451250	PUMP EVAC SE 044A, 3x400 V 50 Hz, IMPELLER Ø238
5451257	PUMP EVAC SE 044A, 3x415 V 50 Hz, IMPELLER Ø238
5451460	PUMP EVAC SE 044A, 3x440 V 60 Hz, IMPELLER Ø210
5450063	PUMP EVAC SE 044A, 3x690 V 60 Hz, IMPELLER Ø205

6544756 RECOMMENDED SPARE PART KIT:

- 1 x 5431012 Retaining ring
- 1 x 5451310 Mechanical seal
- 1 x 5451330 O-ring
- 1 x 5451320 Locking screw
- 1 x 5451350 Impeller screw
- 1 x 5451480 Bearing, pump side
- 1 x 5490566 Bearing, fan side



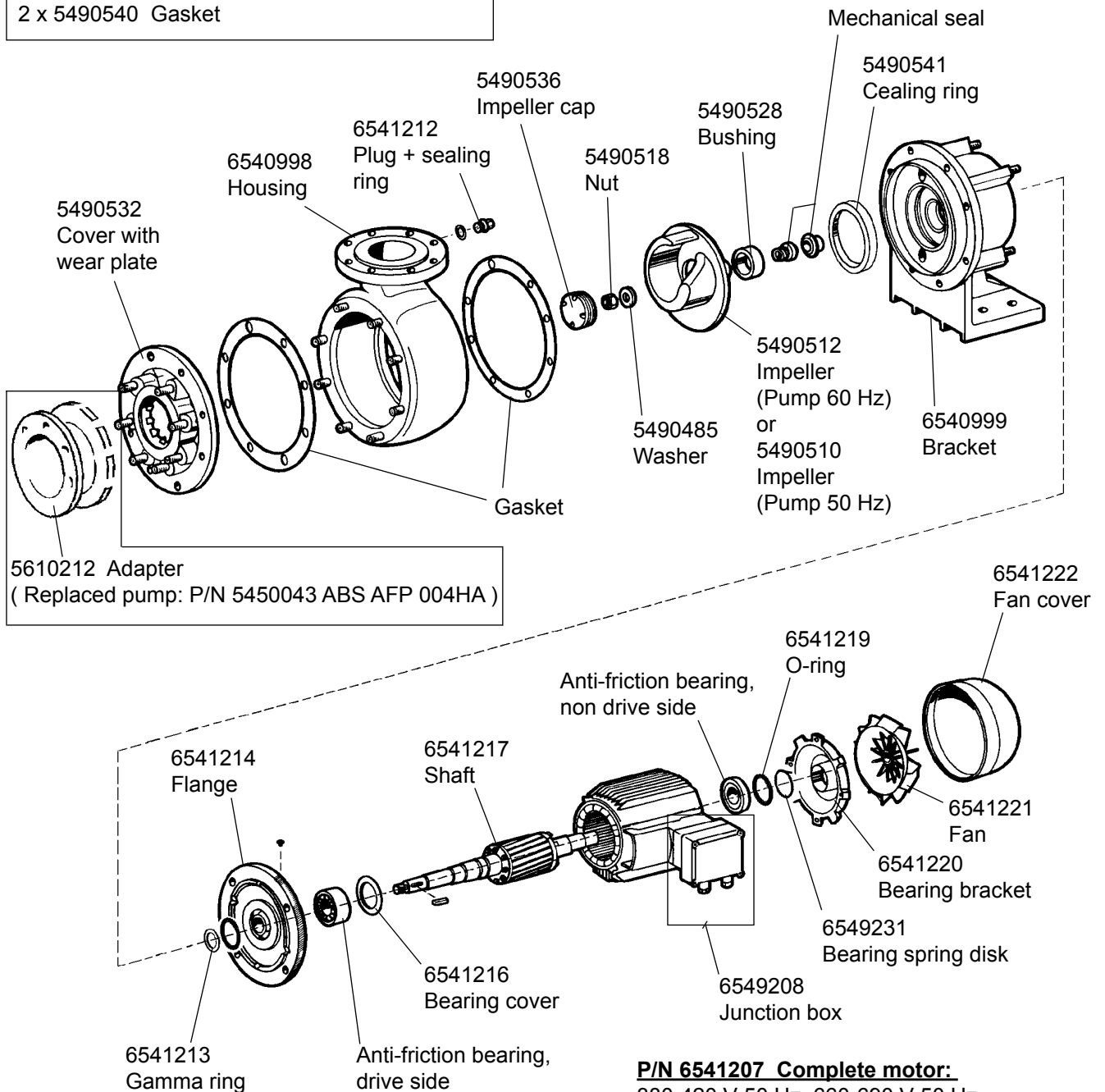
Motor P/N	Voltage
6550373	380-420 V 50 Hz
6550374	440-480 V 60 Hz
6550353	690 V 60 Hz

5610212 Adapter
(Replaced pump: P/N 5450043 ABS AFP 004 HA)

- 6541205 PUMP 5.5/QSH 101-F, 3x400 V 50 Hz**
6541206 PUMP 5.5/QSH 101-F, 3x460 V 60 Hz
6543048 PUMP 5.5/QSH 101-F, 3x600 V 50 Hz
6543049 PUMP 5.5/QSH 101-F, 3x690 V 60 Hz

6543033 RECOMMENDED SPARE PART KIT:

- 1 x 6541218 Anti-friction bearing, non drive side
 1 x 5490548 Anti-friction bearing, drive side
 1 x 5490522 Mechanical seal
 1 x 5490536 Impeller hub cap
 2 x 5490540 Gasket



P/N 6541207 Complete motor:
380-420 V 50 Hz, 660-690 V 50 Hz

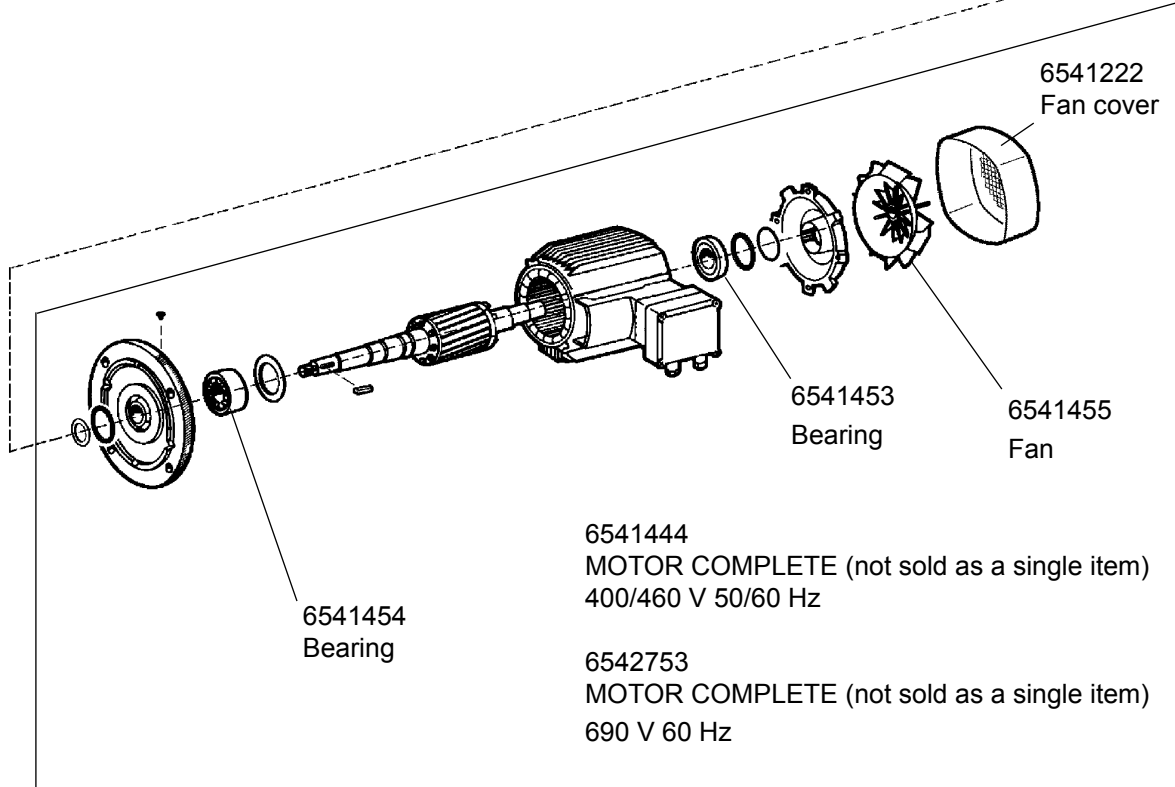
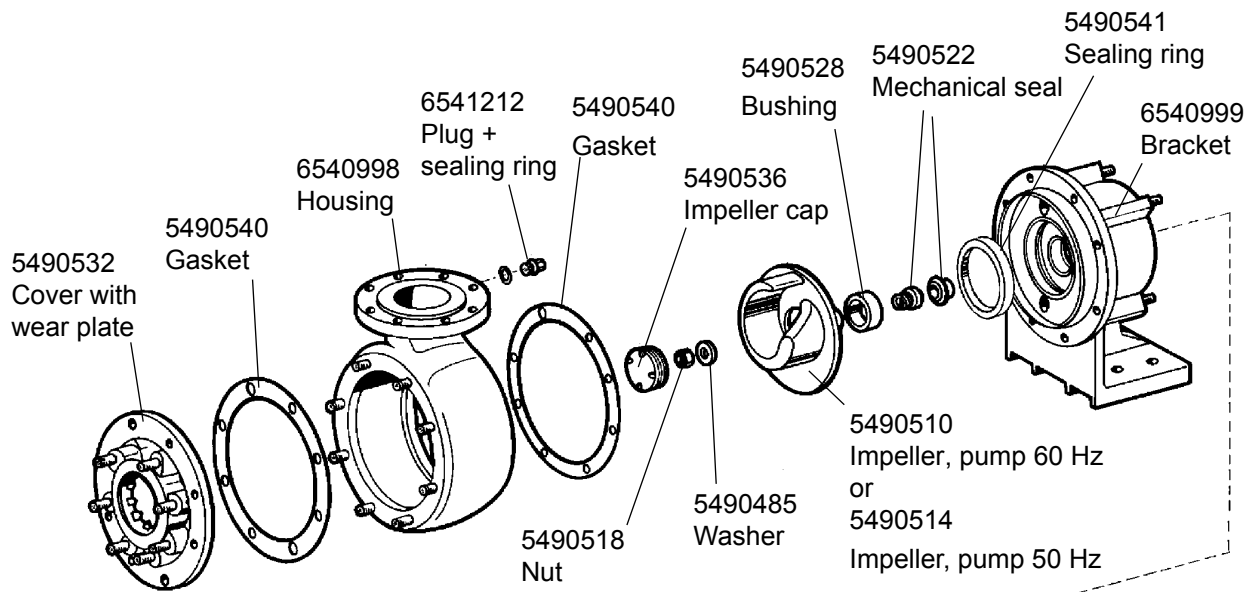
P/N 6543135 Complete motor:
440-480 V 60 Hz

- 6541443 PUMP TYPE 7.5 QSH 101-F, 3x400 V 50 Hz, IMPELLER Ø210 (not sold as a single item)**
6541442 PUMP TYPE 7.5 QSH 101-F, 3x460 V 60 Hz, IMPELLER Ø200 (not sold as a single item)
6541573 PUMP TYPE 7.5 QSH 101-F, 3x690 V 60 Hz, IMPELLER Ø200 (not sold as a single item)

P/N 6541443 is replaced by P/N 6543085

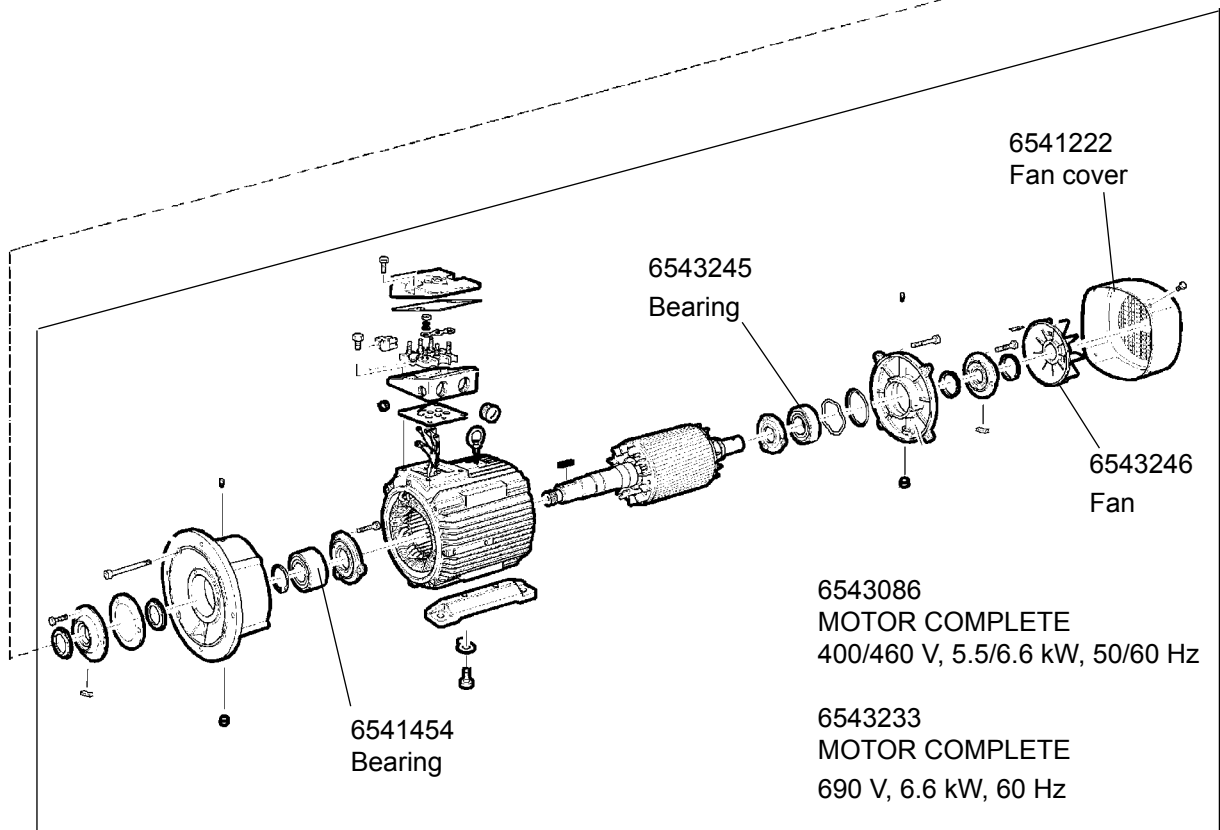
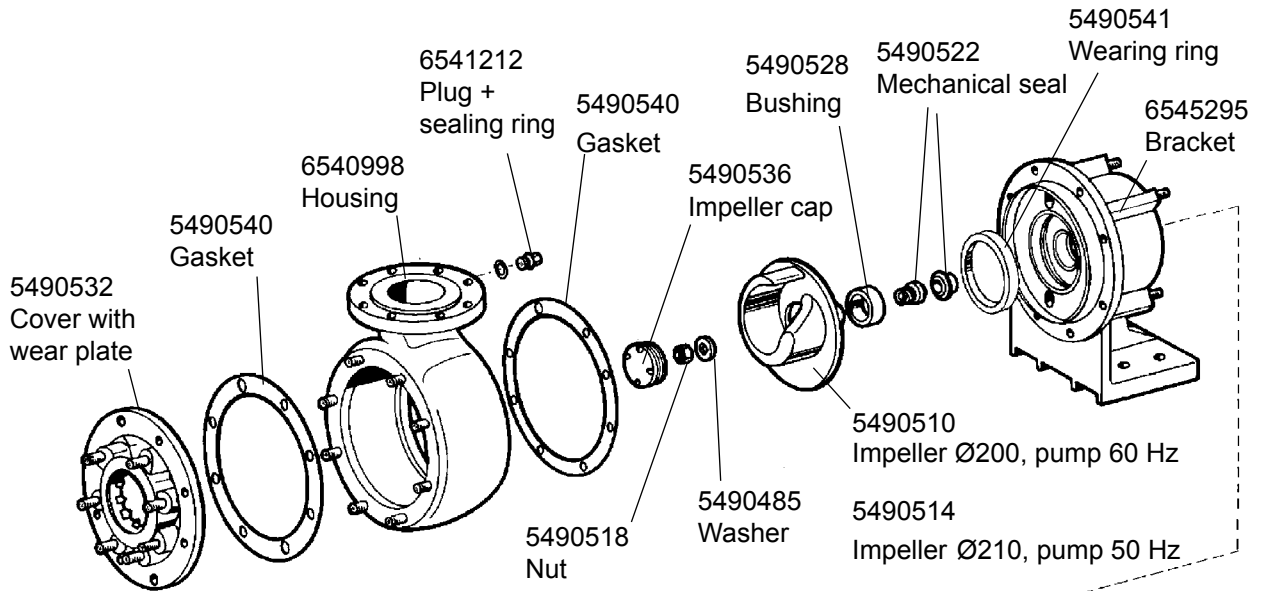
P/N 6541442 is replaced by P/N 6543084

P/N 6541573 is replaced by P/N 6543158



P/N 6541444 is replaced by P/N 6543086
P/N 6542753 is replaced by P/N 6543233

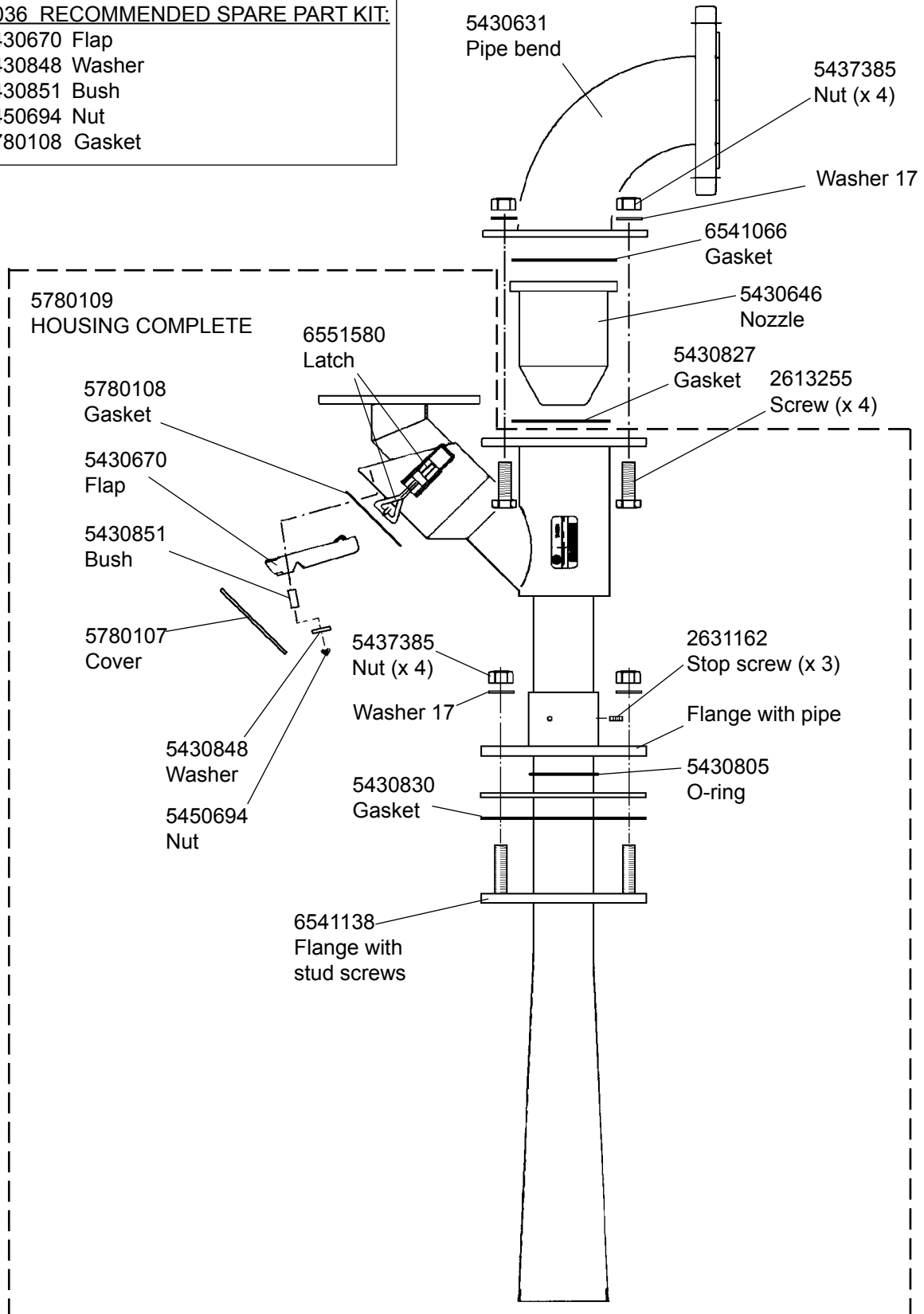
- 6543085 PUMP 7.5 QSH 101-1-210, 3x400 V 50 Hz**
- 6543084 PUMP 7.5 QSH 101-1-200, 3x460 V 60 Hz**
- 6543158 PUMP 7.5 QSH 101-1-200, 3x690 V 60 Hz**



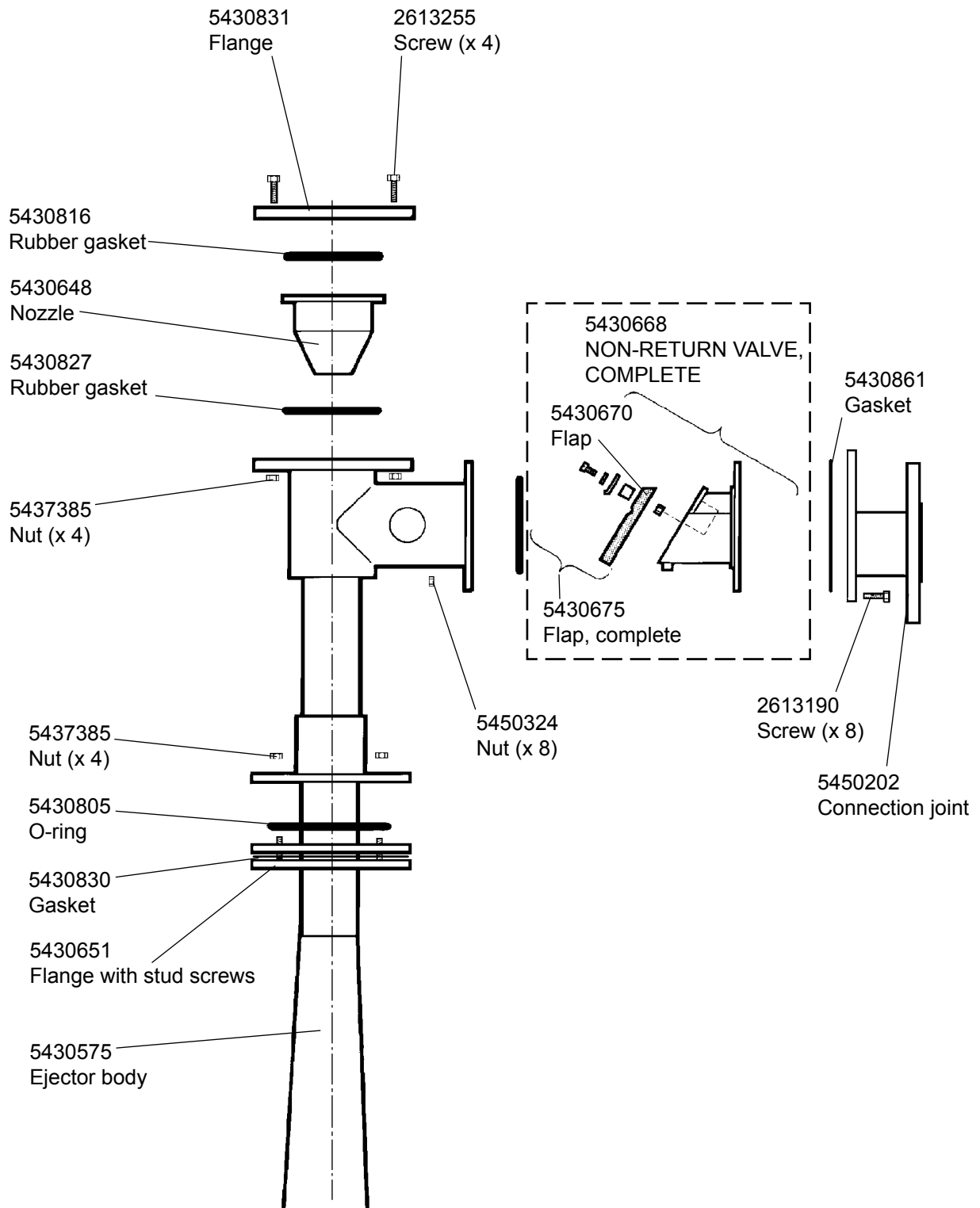
5780120 EJECTOR DN100, MARVAC

6543036 RECOMMENDED SPARE PART KIT:

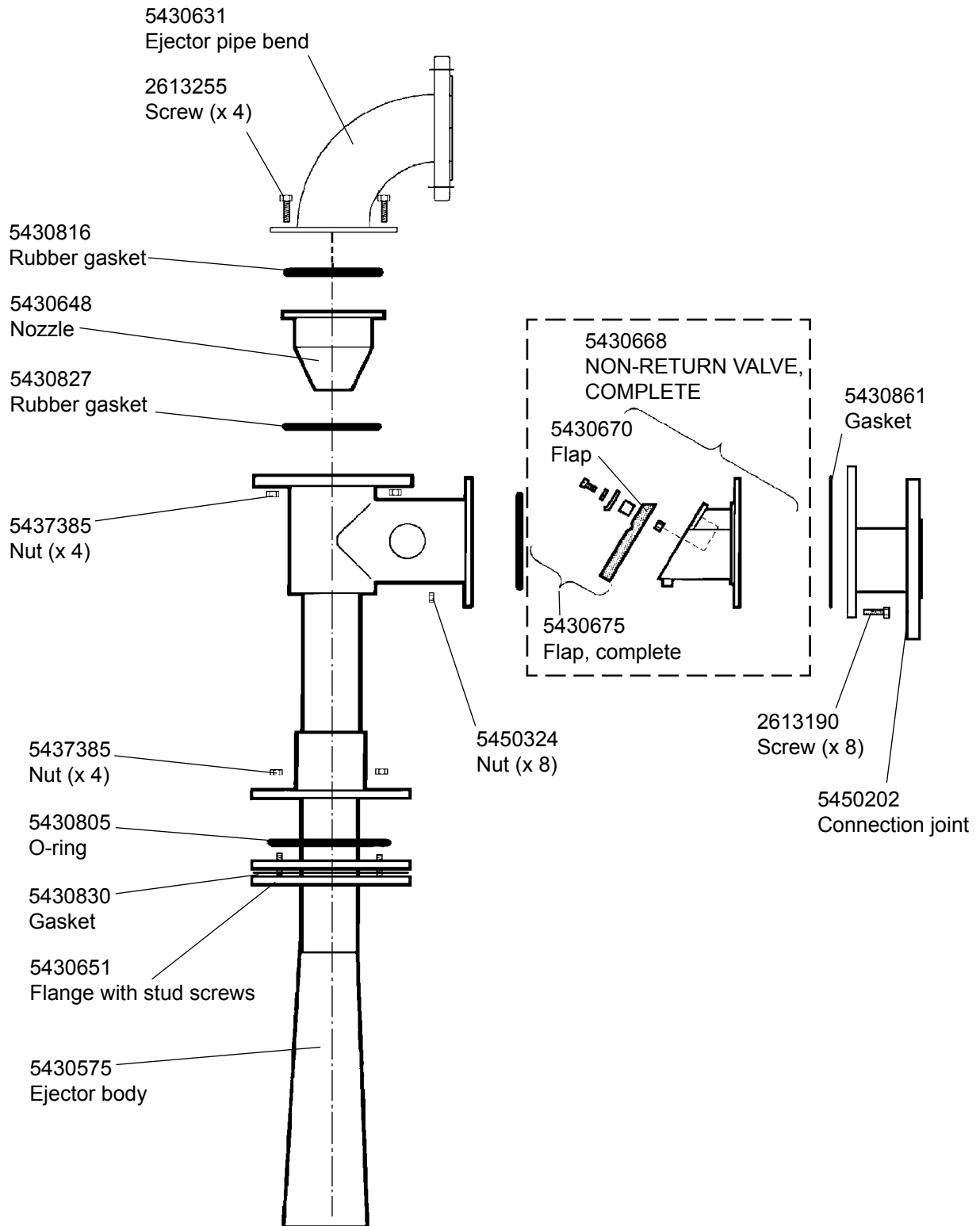
- 1 x 5430670 Flap
- 1 x 5430848 Washer
- 2 x 5430851 Bush
- 2 x 5450694 Nut
- 1 x 5780108 Gasket

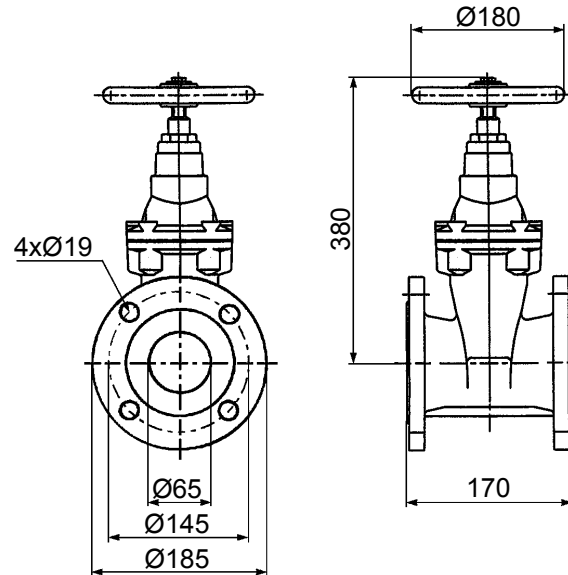


5430579 EJECTOR WITH COUNTER FLANGE



5430894 EJECTOR WITH PIPE BEND



5430599 SHUT-OFF VALVE DN65**Materials**

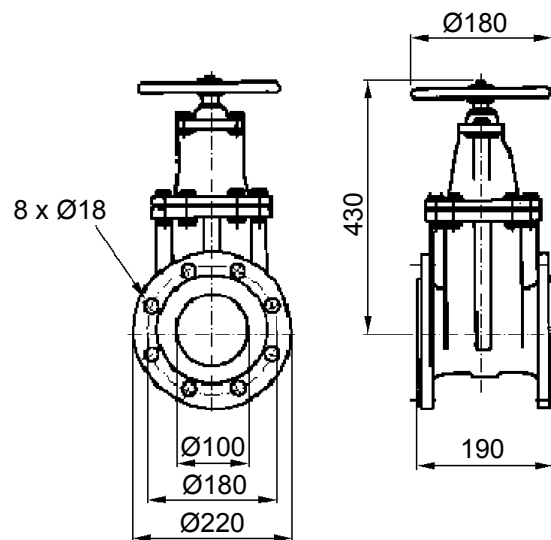
Housing: Ductile cast iron (GGG50)
Slide: EPDM covered
Spindle sealing and scraper: Synthetic rubber

Connections

Pressure class: PN16
Nominal dimension: DN65

Shipping data

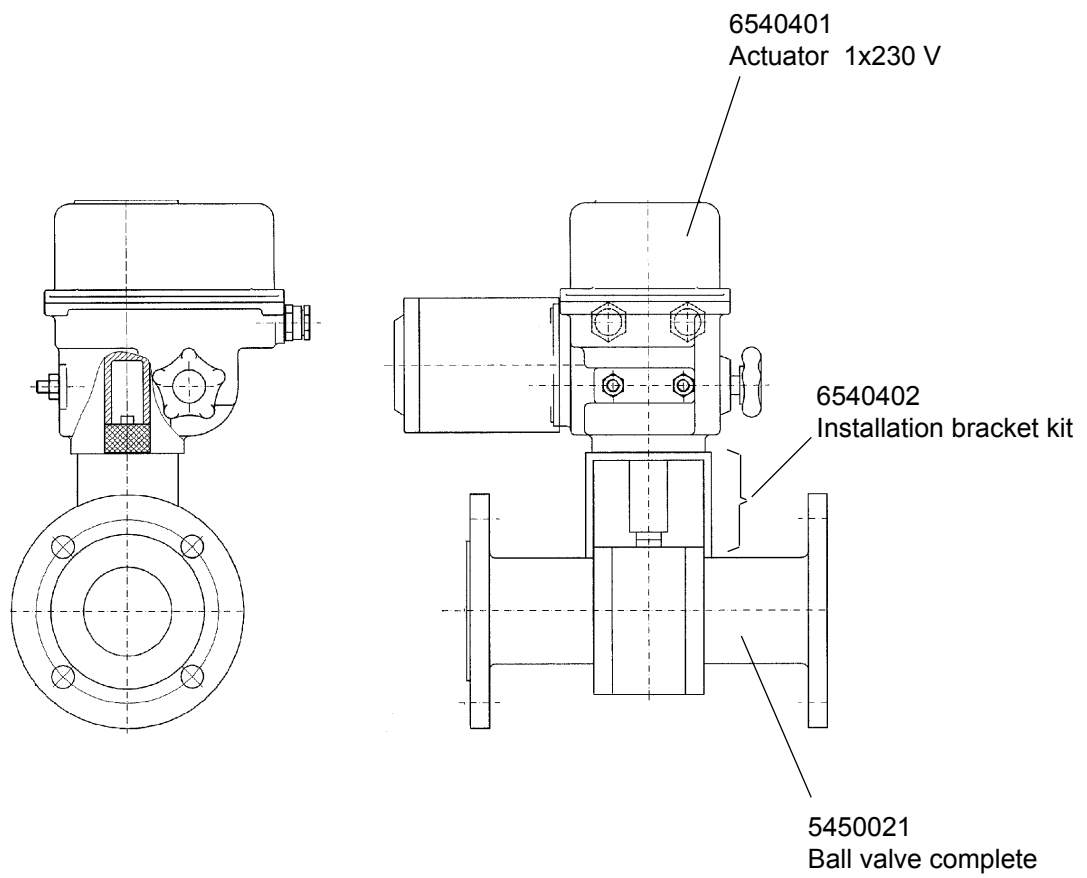
Net weight: 15 kg

5430591 SHUT-OFF VALVE DN100

Materials	Housing: Nodular cast iron GGG50 Slide: EPDM covered Spindle sealing and scraper: Synthetic rubber
Connections	Pressure class: PN 16 Nominal dimension: DN100
Shipping data	Net weight: 31.4 kg Shipping volume: 0.03 m ³

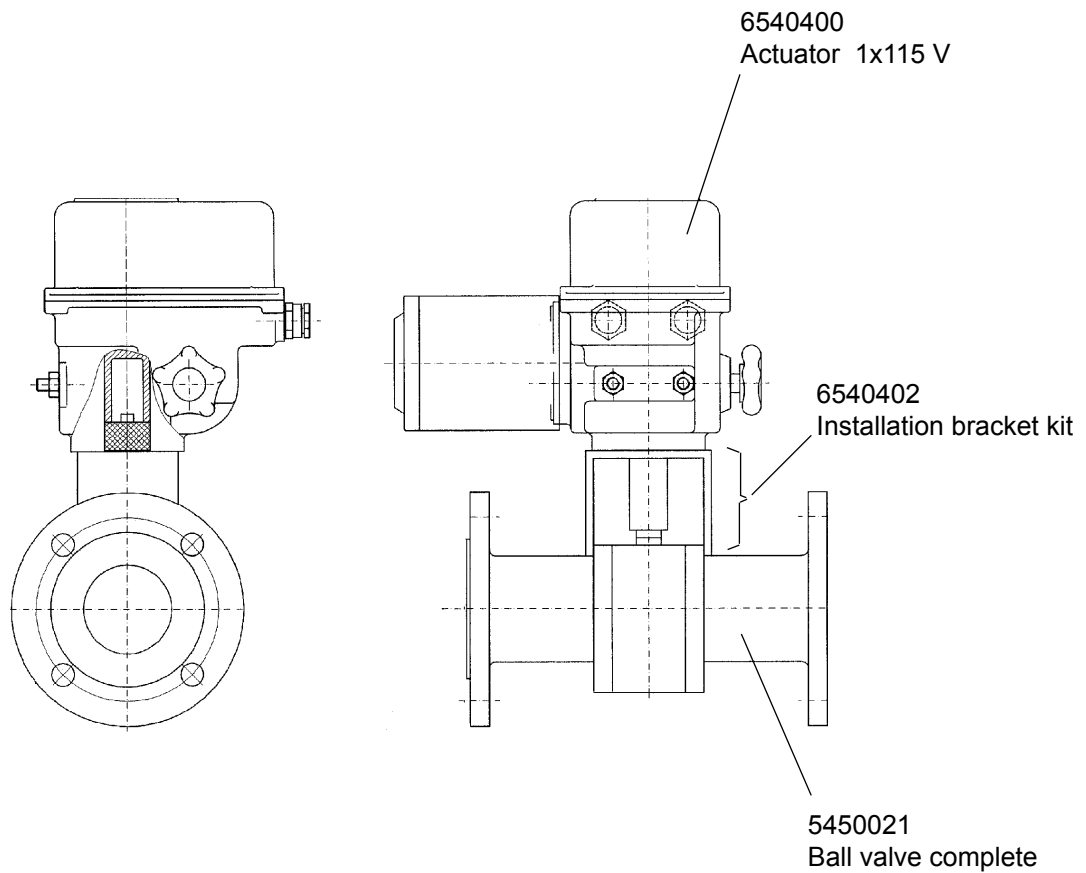
6540215 MOTOR VALVE DN65

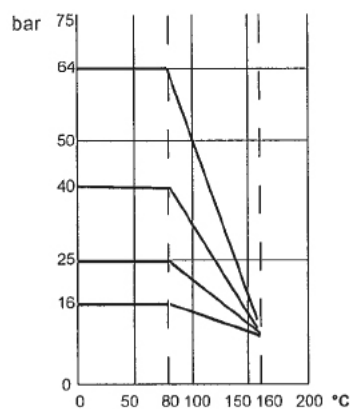
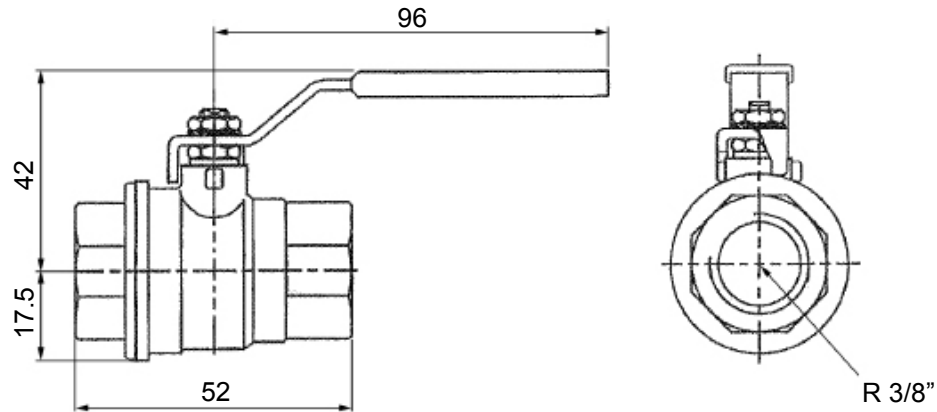
P/N 45023.4 and P/N 5450234 are replaced by P/N 6540215 Motor valve complete 1x230 V 50/60 Hz



6540255 MOTOR VALVE DN65

P/N 45023.2 and P/N 5450232 are replaced by P/N 6540255 Motor valve complete 1x115 V 60 Hz



5437587 3-WAY VALVE R 3/8"


Pressure and temperature diagram

Materials

Body: Brass nickel-plated
 Ball: Brass chrome-plated
 Connection end: Brass chrome-plated
 Ball seals: PTFE
 Stem: Brass
 Stem seal: NBR
 Lever handle: Carbon steel, zinc-plated
 Hexagon screw: Carbon steel, zinc-plated

Operating data

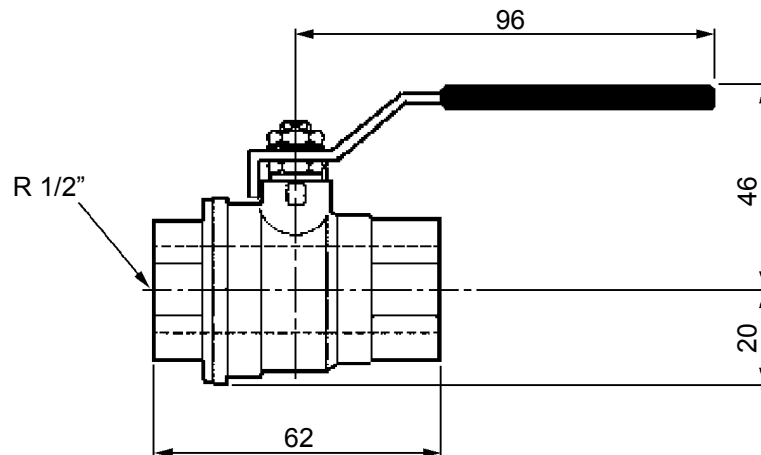
Pressure range: PN10 (up to 80°C)
 Temperature range: -20°C up to +90°C
 Flow coefficient: $K_v = 6 \text{ m}^3/\text{h}$
 Design: Full cylindrical bore with a drain bore in the bottom

Connection

Female: B.S.P thread 3/8", ISO 7/1

Shipping data

Net weight: 0.20 kg

5437666 VALVE R 1/2"**Materials**

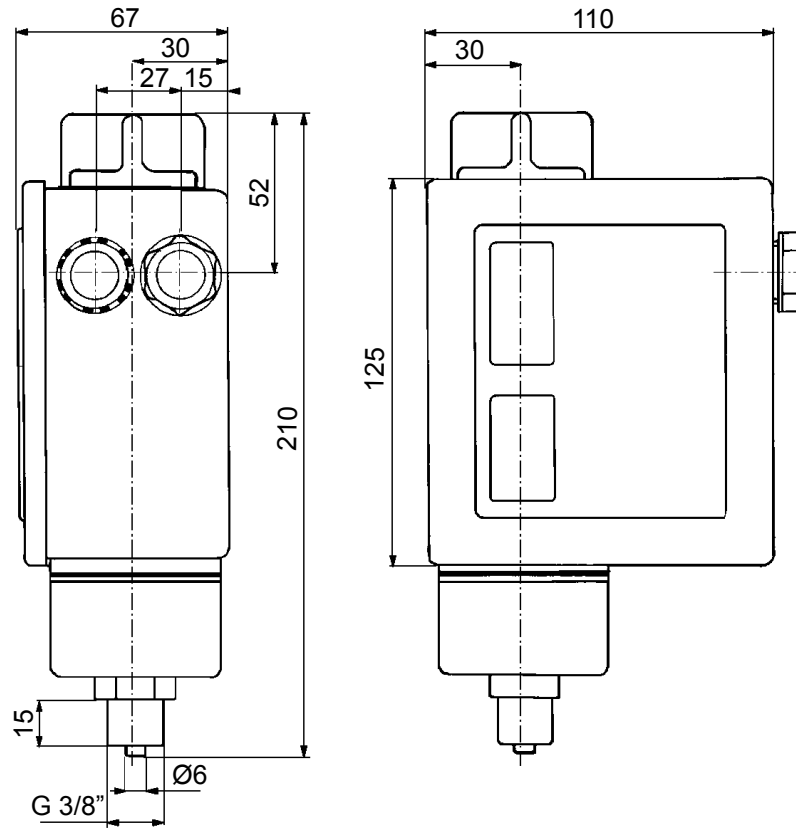
Body: Brass nickel-plated
Ball: Brass chrome-plated
Seal: PTFE
Handle: Carbon Steel

Operating data

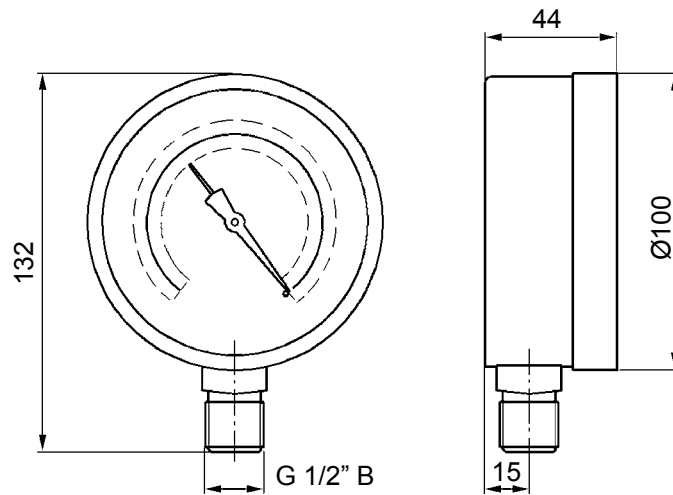
Female B.S.P. thread 1/4" - 1", ISO 7/1
-20° to +90°C
PN10 (up to 80°C)

Shipping data

Net weight: 0.22 kg

5437598 PRESSURE SWITCH G 3/8"


Operating data	Pressure range: 0...100 kPa (abs) Ambient temperature: -50°C ... 70°C
Electrical data	Protection class: IP66 Alternating current; AC-1: 10 A, 400 V AC-3: 4 A, 400 V AC-15: 3 A, 400 V Direct current; DC-13: 12 W, 230 V
Connection	G 3/8"
Shipping data	Net weight: 0.86 kg

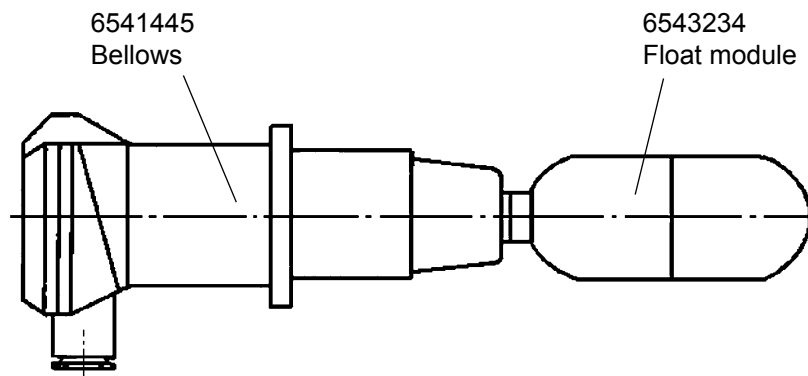
5437623 VACUUM GAUGE G 1/2"

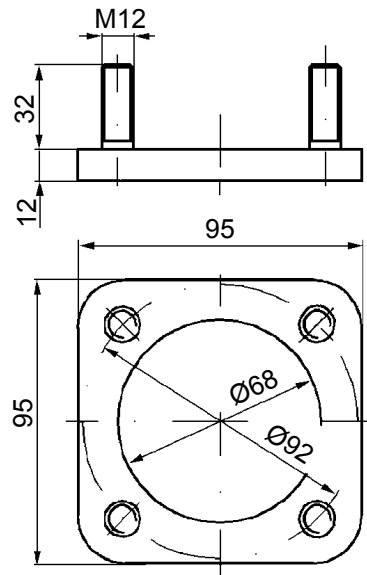
Operation data Range: 0 ... -100 kPa

Connections G 1/2" B

Shipping data Net weight: 0.49 kg

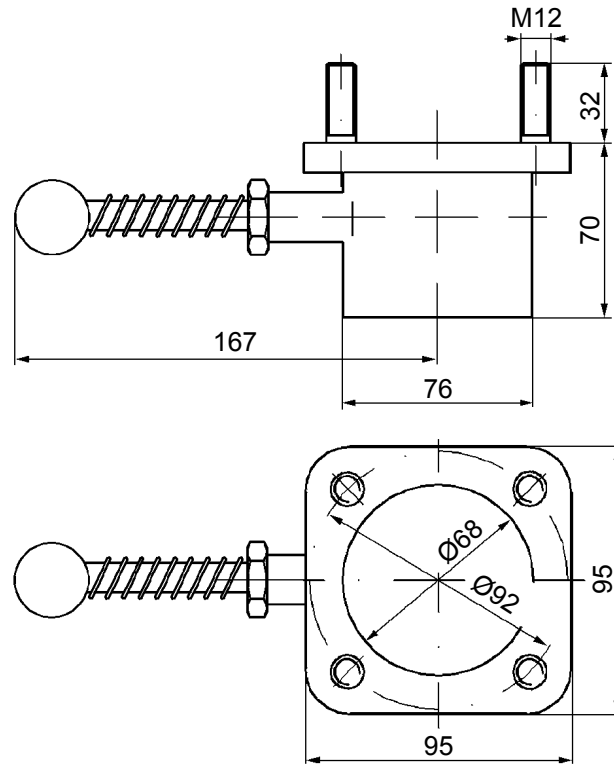
5430612 LEVEL SWITCH



5430615 FLANGE FOR LEVEL SWITCH

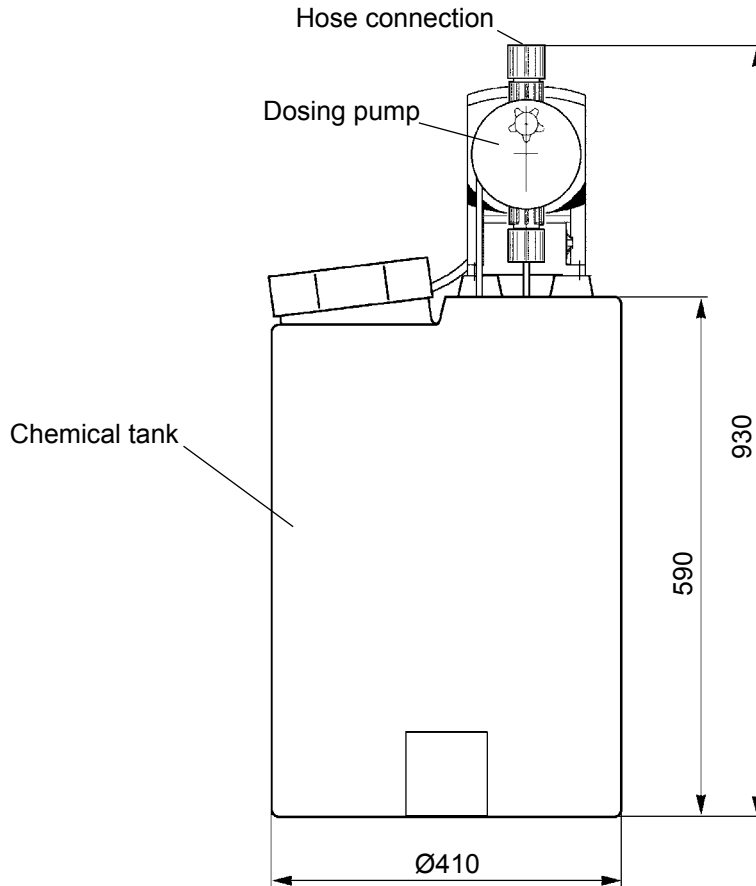
Materials Flange: Stainless steel EN 1.4404

Shipping data Net weight: 0.56 kg

5430616 TEST FLANGE

Materials Flange: Stainless steel EN 1.4404

Shipping data Net weight: 1.17 kg

6540390 DOSING PUMP UNIT


Materials	Dosing head: Acrylic Chemical tank: PE-HD
Components	Dosing pump Chemical tank, 60 l Suction strainer Suction hose and bleeding hose Double-acting level switch Pressure hose Control cable
Capacity	Pump capacity: Max. 8.4 l/h, 3.5 bar, adjustable
Operating data	Stroke frequency: Max. 180 stroke/min, adjustable Stroke length: Adjustable 0 -100%
Connections	Hose connection: $\text{Ø}8/5$
Electrical data	Power supply: 230 V, 50/60 Hz
Shipping data	Net weight: 9 kg

Available tank sizes: 60 l (in P/N 6540390), 100 l, 140 l, 250 l and 500 l.

COLLECTING UNITS, DN100

REPLACING PRODUCTS

Please, identify your “old” product number and choose the replacing product.

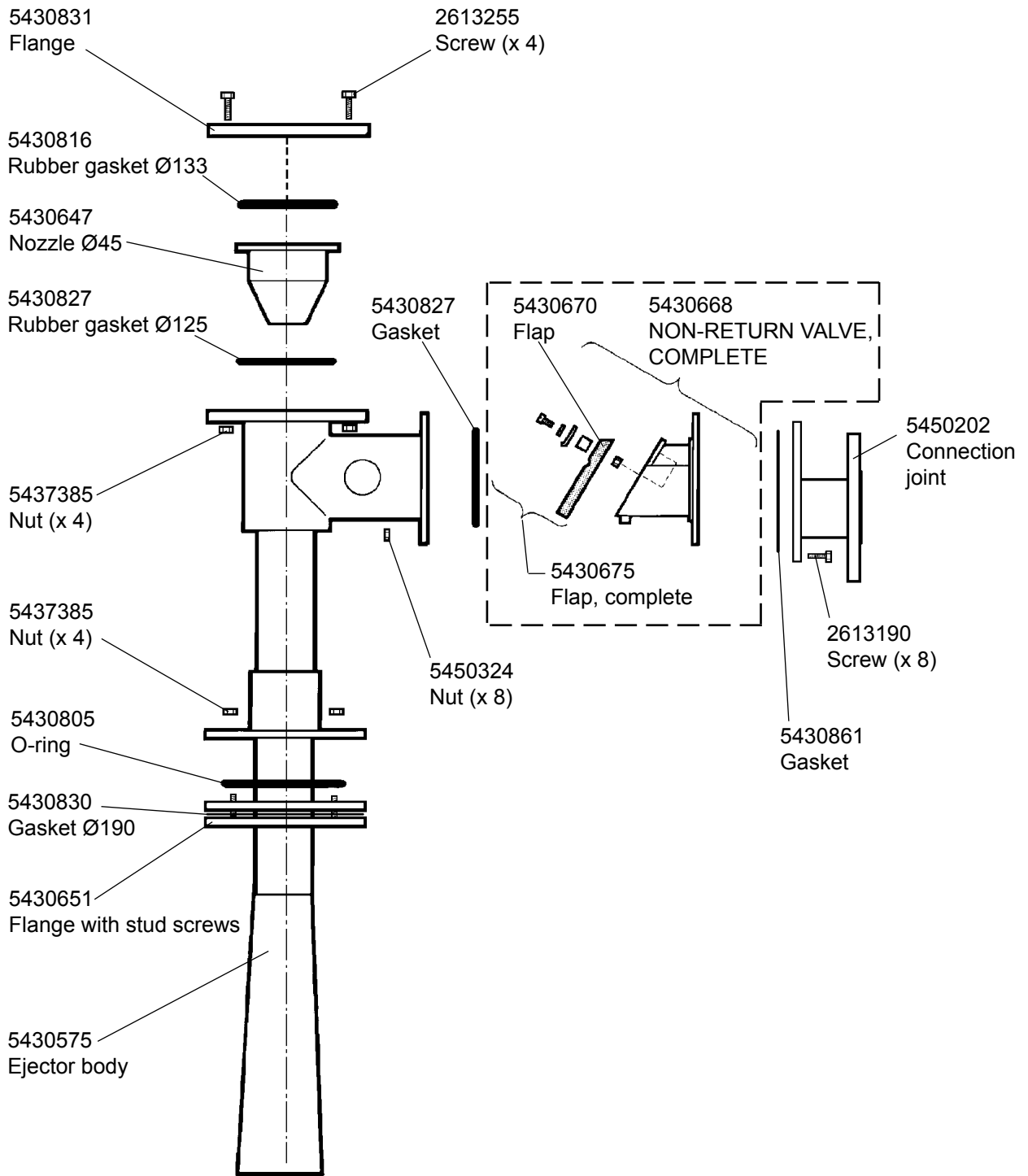
Old products		Replacing products			
Name	P/N		P/N	Name	Link to document
Ejector DN100	5430580	▶	5430578	Ejector DN100 with counter flange	6:301H
	43058.0		5430893	Ejector DN100 with pipe bend	003311-1
Non-return valve for ejector	5430669	▶	5430668	Non-return valve for ejector	6:301H
	43066.9				
Discharge valve DN65 115 V	5450232	▶	6540255	Motor valve DN65 115 V 60 Hz	003260-1
	45023.2				
Discharge valve DN65 220 V	5450234	▶	6540215	Motor valve DN65 230 V 50/60 Hz	6:311H
	45023.4				
Vacuum gauge	5437622	▶	6542553	Vacuum gauge upgrade kit	1:01192C
Pump Evac Block 100-210 50 Hz	5451808	▶	5640369	Pump Evac SE 044A 50 Hz	6:01037J
Pump Evac Block 100-210 60 Hz	5451819	▶	5640370	Pump Evac SE 044A 60 Hz	6:01037J
Intermediate lantern for Pump 50 Hz	5490925	▶	6540369	Pump Evac SE 044A 50 Hz	6:01037J
Intermediate lantern for Pump 60 Hz	5490925	▶	6540370	Pump Evac SE 044A 60 Hz	6:01037J

! NOTE:

Pump 7.5 QSH is fully interchangeable with above pumps but gives 30% more capacity.
See details doc. 9:00067F.

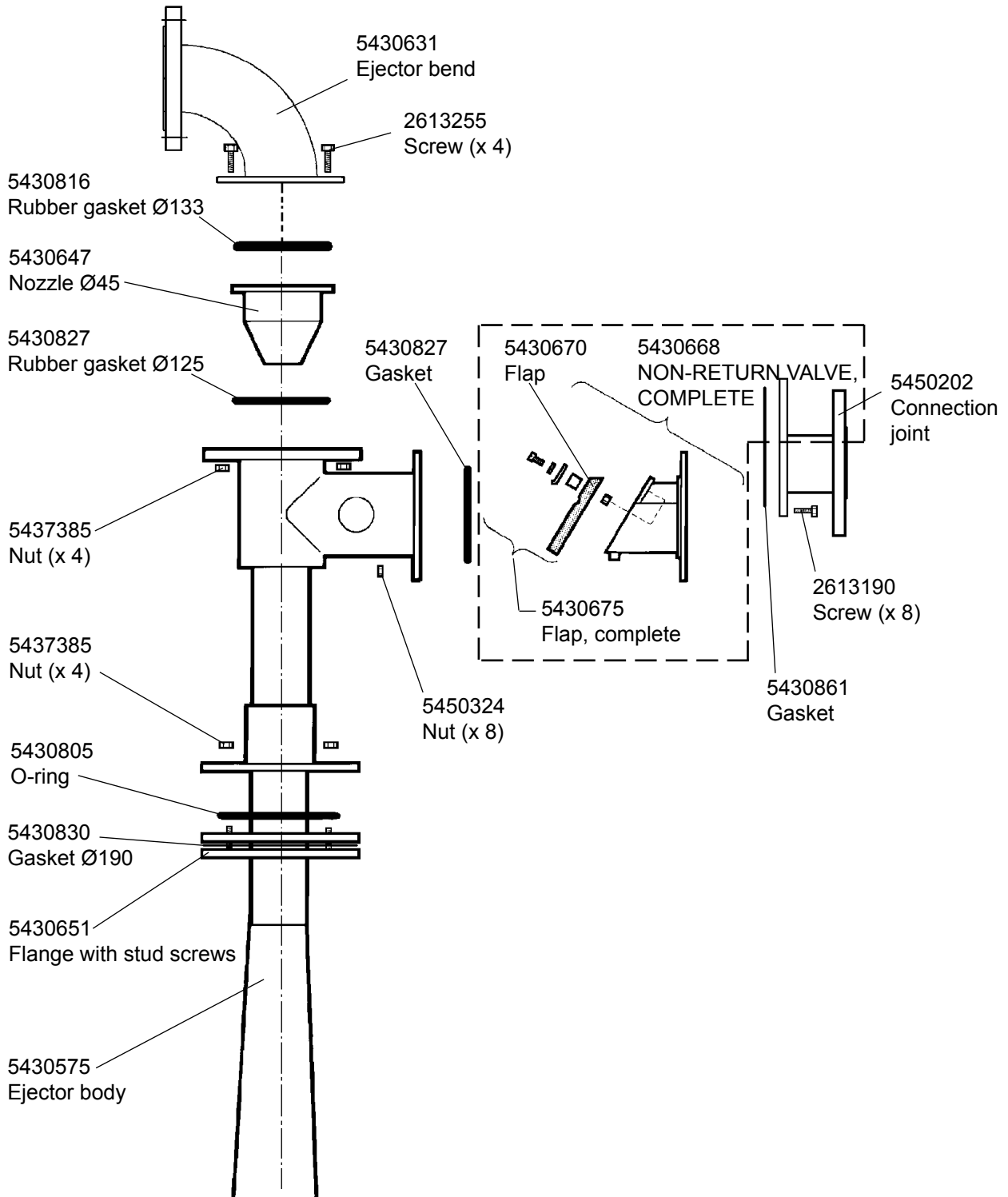
5430578 EJECTOR DN100, NOZZLE Ø45 WITH COUNTER FLANGE

P/N 43058.0 and P/N 5430580 are replaced by P/N 5430578 Ejector with counter flange, complete
P/N 43066.9 and P/N 5430669 are replaced by P/N 5430668 Non-return valve, complete



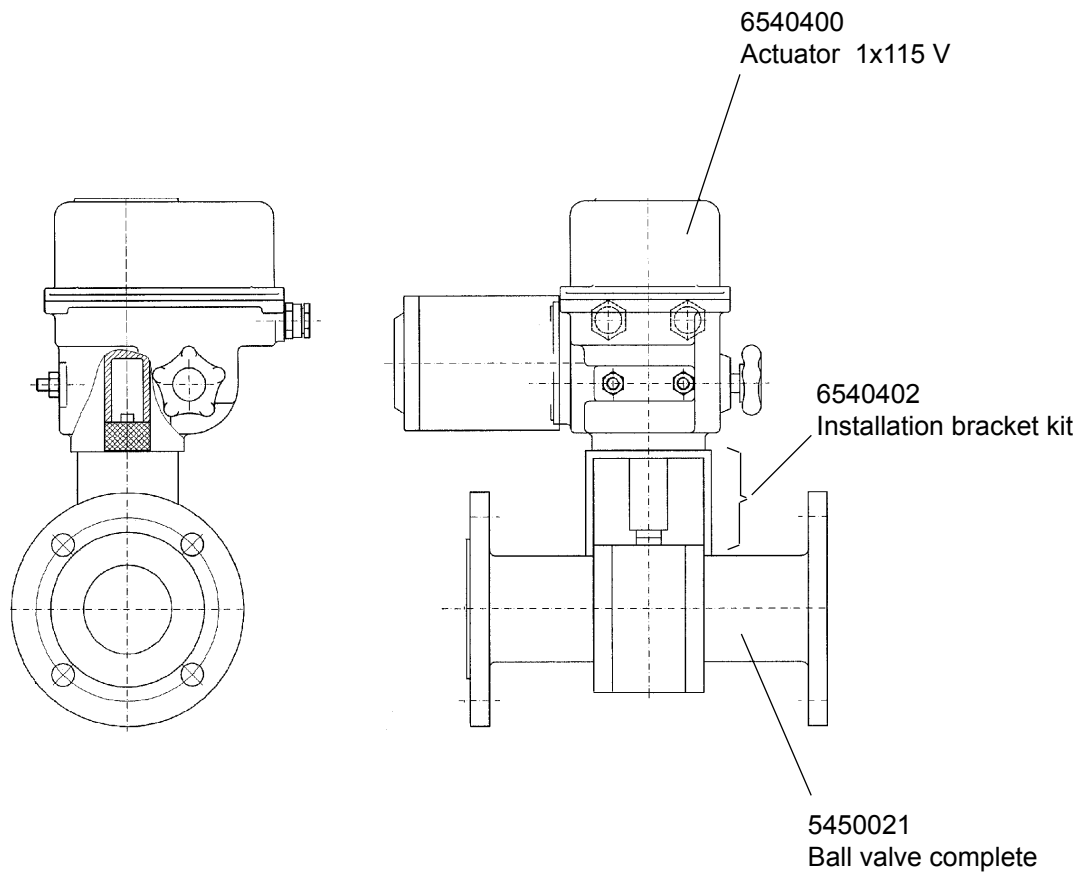
5430893 EJECTOR DN100, NOZZLE Ø45 WITH PIPE BEND

P/N 43058.0 and P/N 5430580 are replaced by P/N 5430893 Ejector with pipe bend, complete
P/N 43066.9 and P/N 5430669 are replaced by P/N 5430668 Non-return valve, complete



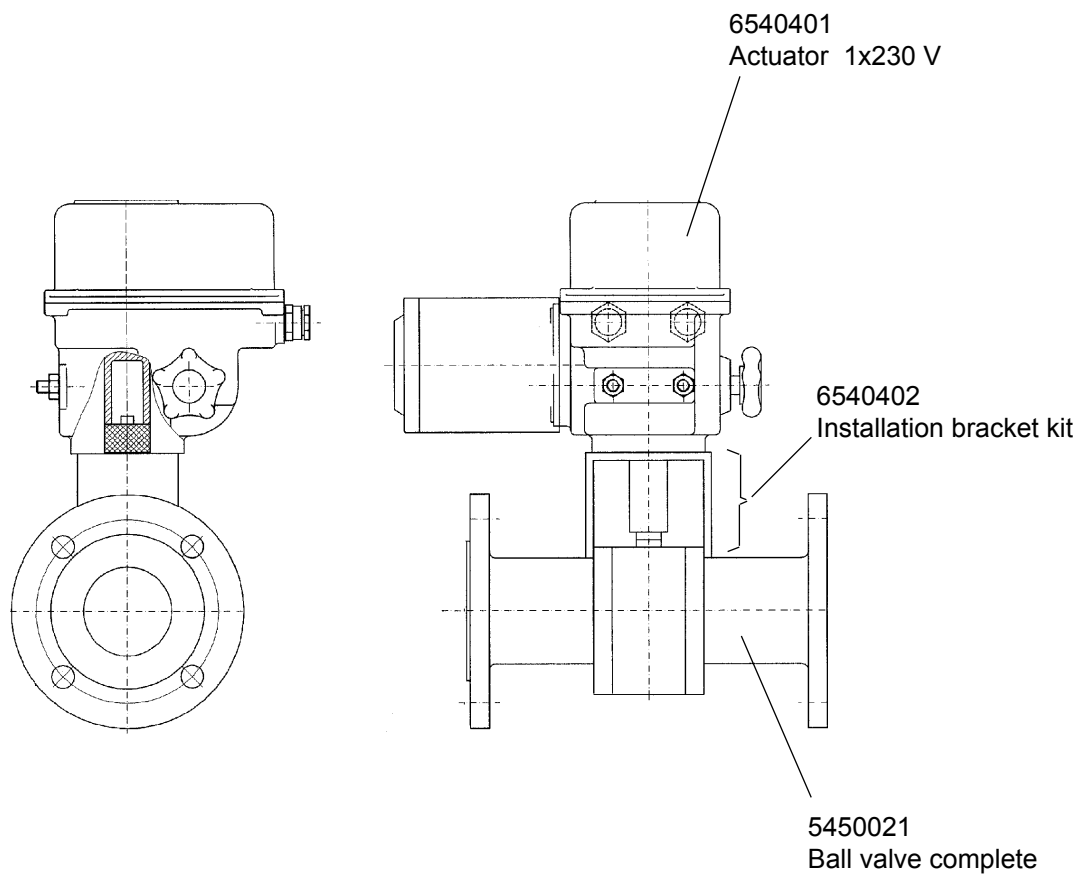
6540255 MOTOR VALVE DN65

P/N 45023.2 and P/N 5450232 are replaced by P/N 6540255 Motor valve complete 1x115 V 60 Hz



6540215 MOTOR VALVE DN65

P/N 45023.4 and P/N 5450234 are replaced by P/N 6540215 Motor valve complete 1x230 V 50/60 Hz

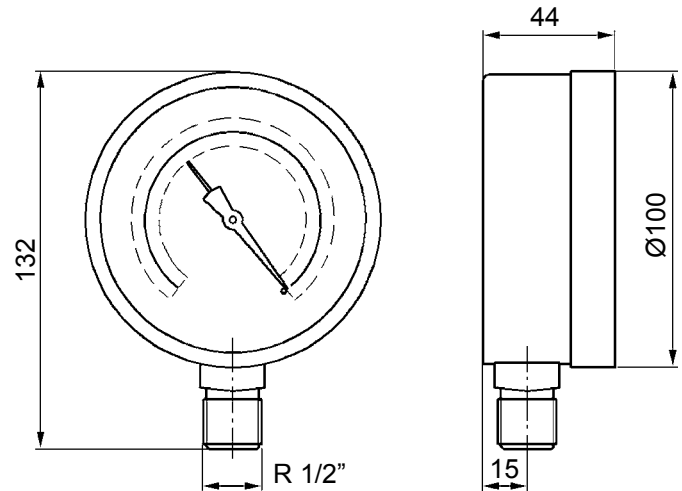


6542553 VACUUM GAUGE UPGRADE KIT**P/N 5437623 Vacuum gauge R 1/2"**

Operation data Range: 0 ... -100 kPa

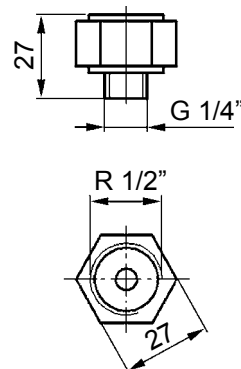
Connections R 1/2"

Shipping data Weight: 0.490 kg

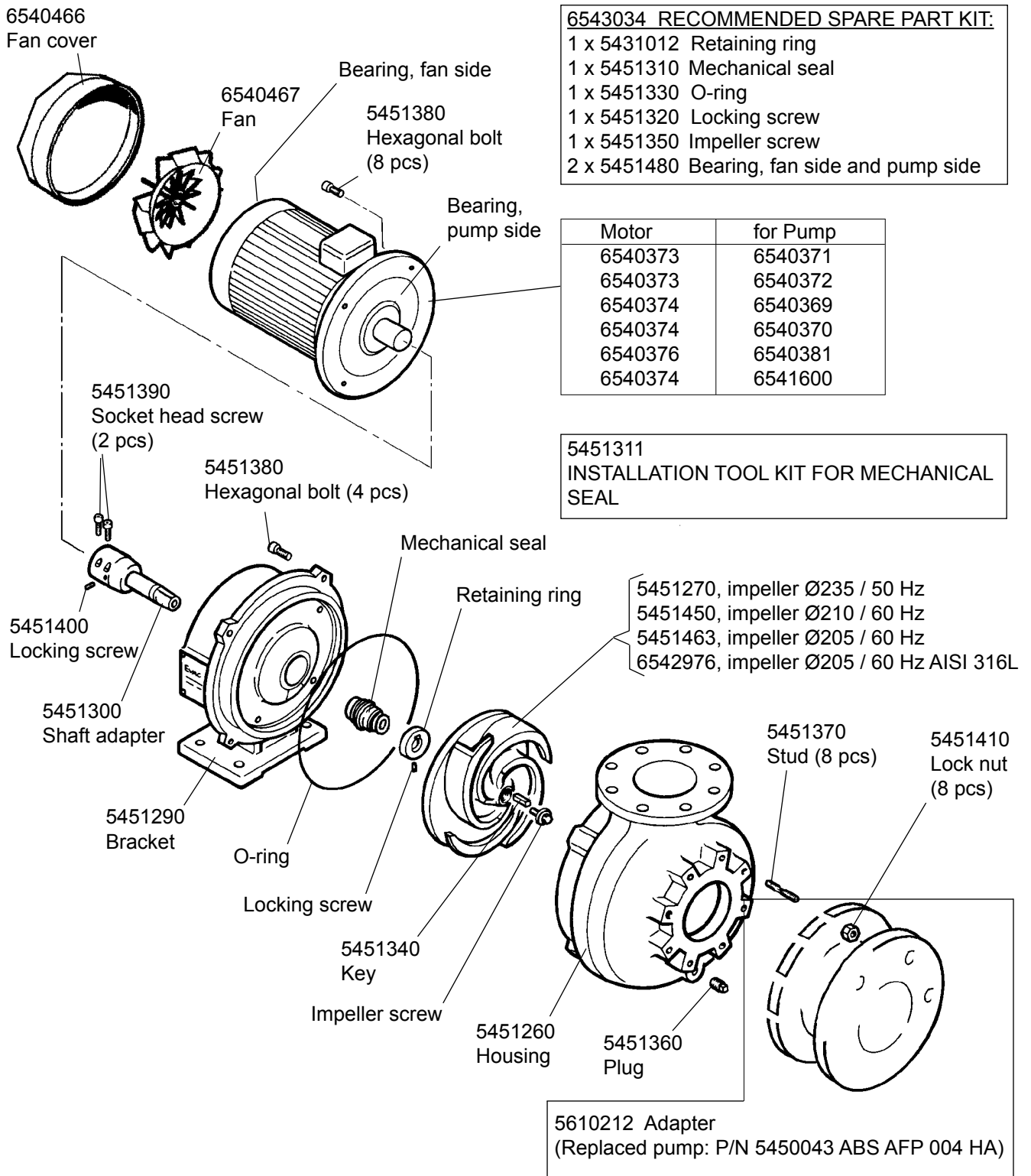
**P/N 6542552 Connection adapter**

Connections R 1/2", G 1/4"

Shipping data Weight: 0.055 kg

**! NOTE:** To make connection vacuum tight, use pipe tape.

6540371	PUMP EVAC SE 044A, 3x230 V 60 Hz, IMPELLER Ø210
6540372	PUMP EVAC SE 044A, 3x220 V 50 Hz, IMPELLER Ø235
6540369	PUMP EVAC SE 044A, 3x400 V 50 Hz, IMPELLER Ø235
6540370	PUMP EVAC SE 044A, 3x460 V 60 Hz, IMPELLER Ø210
6540381	PUMP EVAC SE 044A, 3x690 V 60 Hz, IMPELLER Ø205
6541600	PUMP EVAC SE 044A, 3x660 V 50 Hz, IMPELLER Ø235



COLLECTING UNITS, DN100

RECOMMENDED PRODUCTS FOR COLLECTING UNITS, DN100

If You have a capacity problem with Pump type SE 044 (50 Hz / 60 Hz) or Pump 5.5/QSH (50 Hz / 60 Hz) one solution to increase vacuum capacity with 30 % is to change Pump SE 044 and Pump 5.5/QSH to Pump type 7.5/QSH 50 Hz / 60 Hz + Nozzle 47.5 in Ejector DN100 + Motor protector.

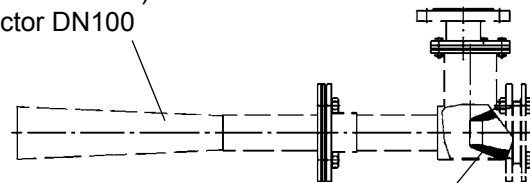
Pump type Evac SE 044
 P/N 5451250 (50 Hz)
 P/N 5451460 (60 Hz)
 P/N 6540369 (50 Hz)
 P/N 6540370 (60 Hz)

Pump type 5.5/QSH
 P/N 6541205 (50 Hz)
 P/N 6541206 (60 Hz)

Pump type Evac Block 100-210
 P/N 5451819
 P/N 5451808

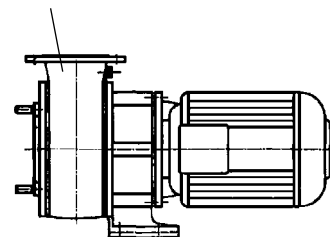
Pump type 7.5/QSH + Nozzle 47.5 + Motor protector

(P/N 5430578)
 Ejector DN100



P/N 5430648
 Nozzle

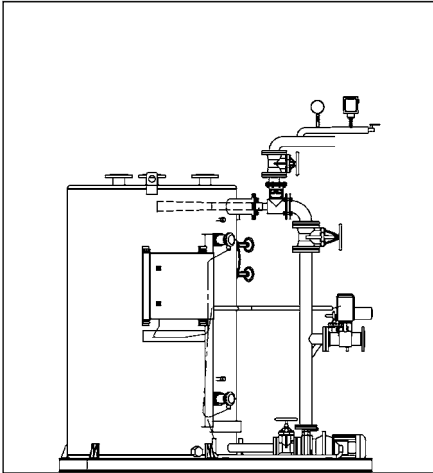
P/N 6543085 Pump 7.5/QSH 101-1-210, 3x400 V 50 Hz
 P/N 6543084 Pump 7.5/QSH 101-1-200, 3x460 V 60 Hz
 P/N 6543158 Pump 7.5/QSH 101-1-200, 3x690 V 60 Hz



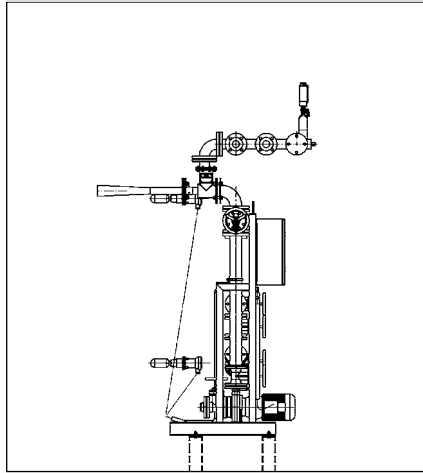
P/N 6542124 Motor protector to control panel

COLLECTING UNITS, DN80 WITH EJECTOR

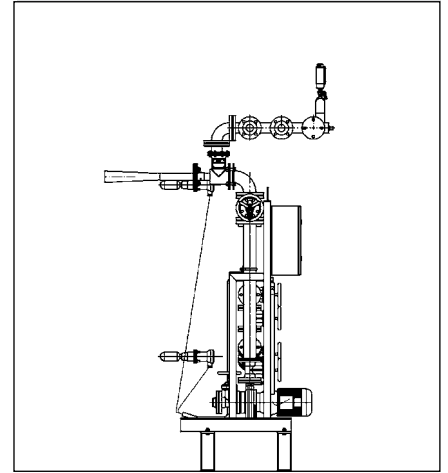
STANDARD TANK



EASYFIT (TYPE 0121)



EASYFIT (TYPE 0111)

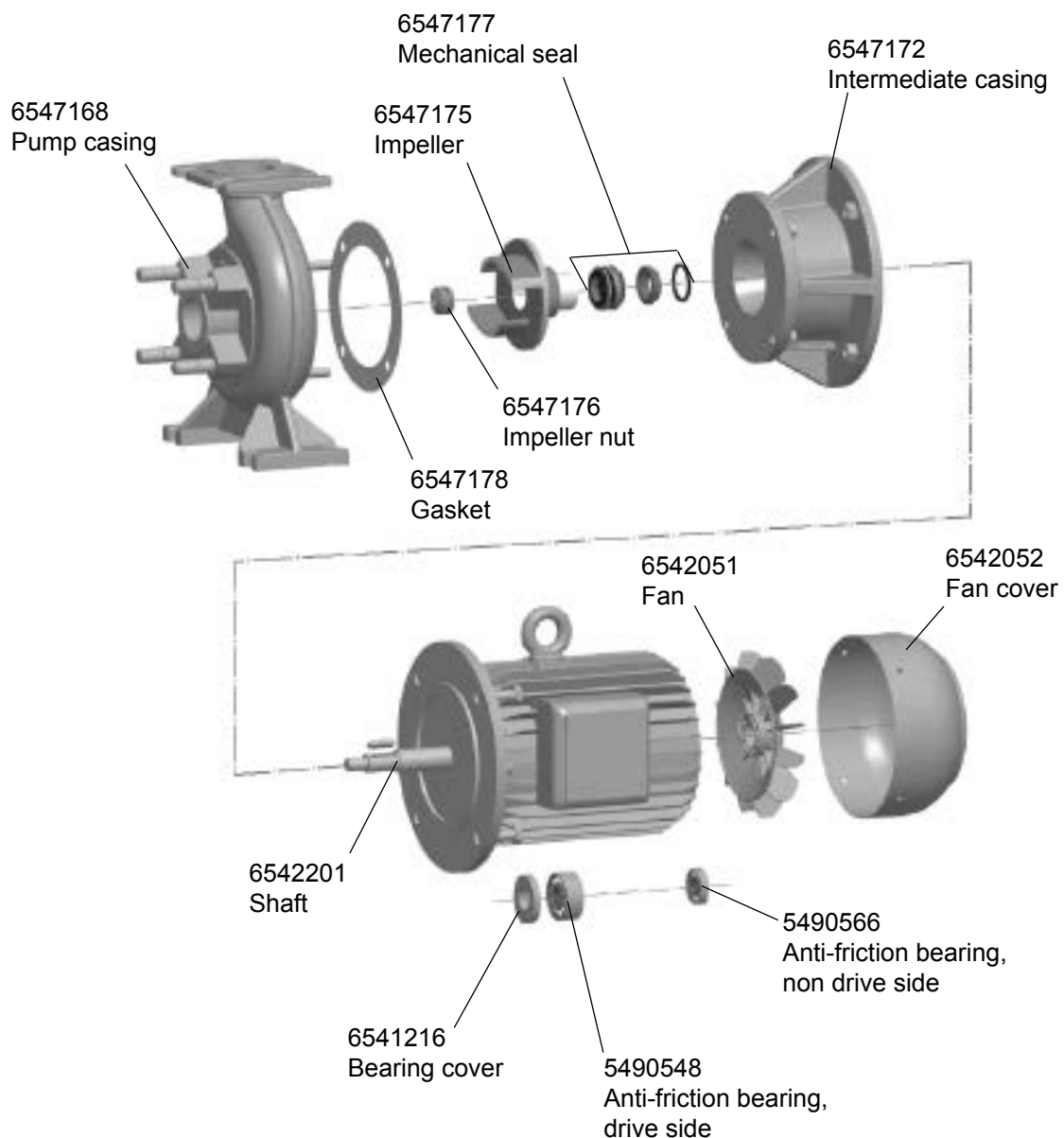


[Spare parts](#)

[Replacing products](#)

6546910 PUMP S30, 3x380/480 V 50/60 Hz, 3x400/460 V 50, 3x690 V 50 Hz
6547222 RECOMMENDED SPARE PART KIT:

- 1 x 5490548 Anti-friction bearing, drive side
- 1 x 5490566 Anti-friction bearing, non drive side
- 1 x 6547177 Mechanical seal
- 1 x 6547178 Gasket

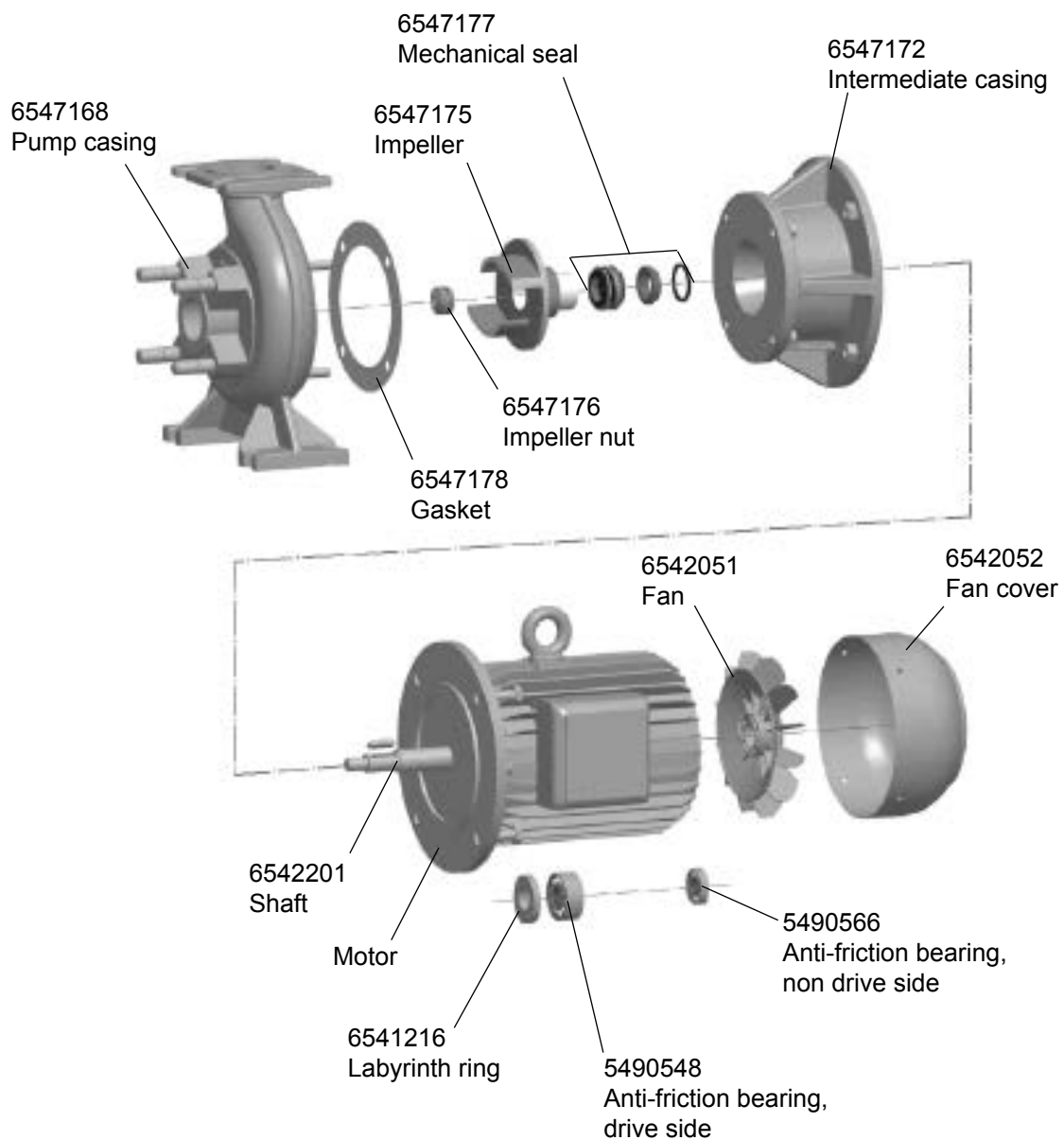

COMPLETE MOTOR:

P/N 6541203 3x380-420 V 50 Hz,
3x660-690 V 50 Hz,
3x440-480 V 60 Hz

6546911 PUMP S30, 3x690 V 60 Hz

6547222 RECOMMENDED SPARE PART KIT:

- 1 x 5490548 Anti-friction bearing, drive side
- 1 x 5490566 Anti-friction bearing, non drive side
- 1 x 6547177 Mechanical seal
- 1 x 6547178 Gasket



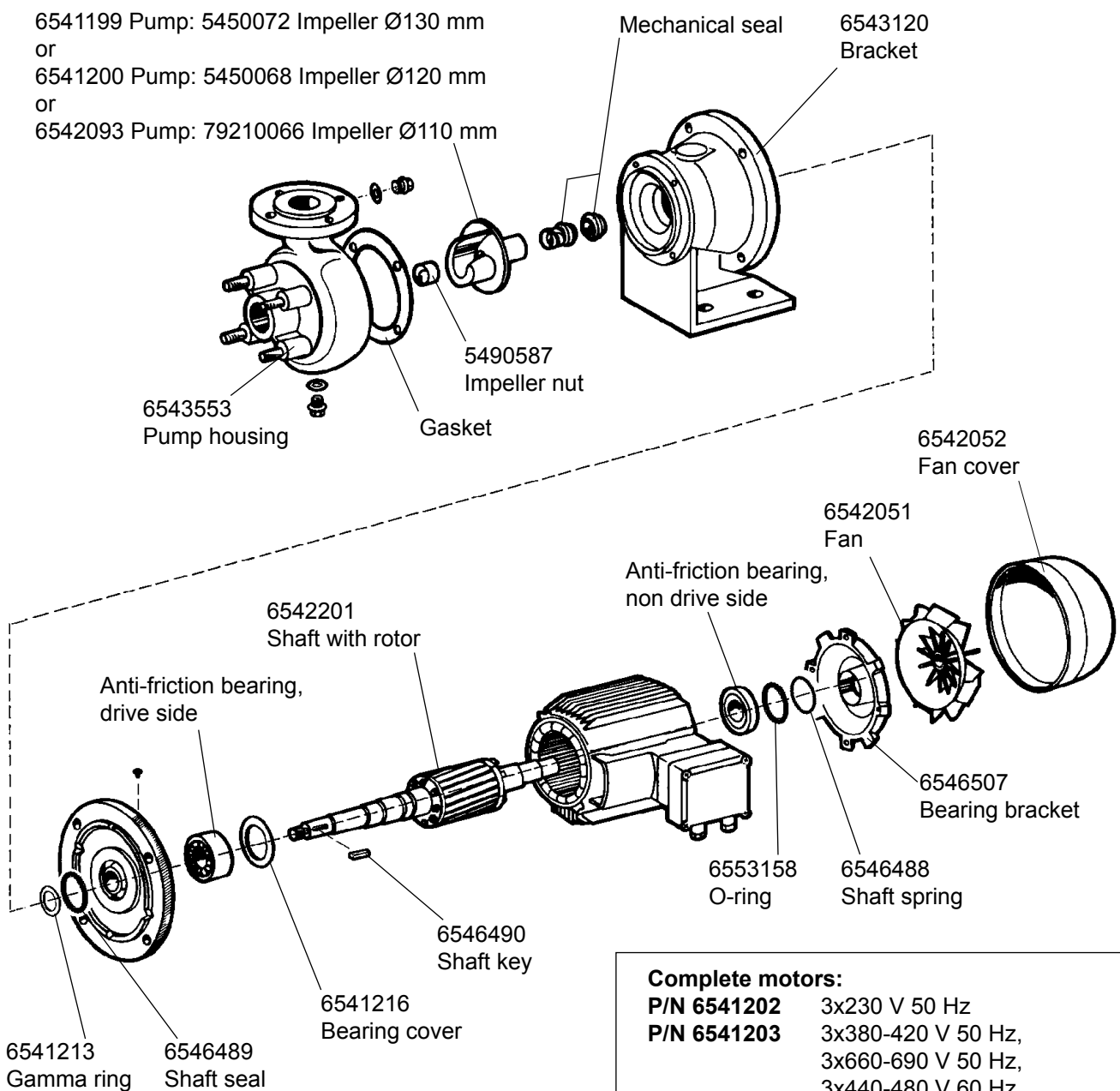
COMPLETE MOTOR:

P/N 6559188

- 6541199 PUMP 4/HK 50-F, 3x230 V 50/60 Hz**
6541200 PUMP 4/HK 50-F, 3x400/460 V 50/60 Hz
6541574 PUMP 4/HK 50-F, 3x690 V 60 Hz
6542093 PUMP 4/HK 50-F, 3x400/460 V 50 Hz, 690 V 60 Hz

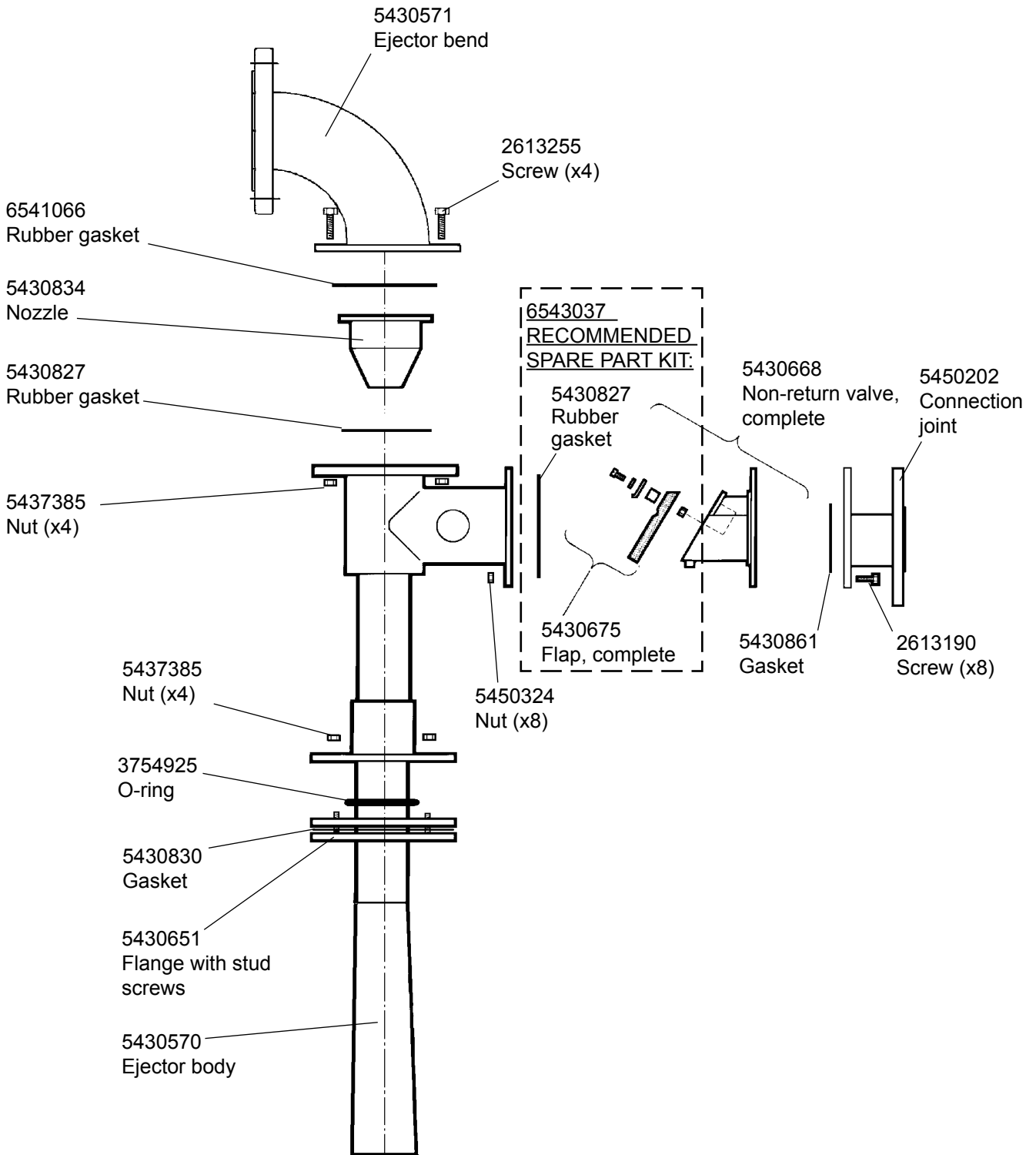
6543035 RECOMMENDED SPARE PART KIT:

- 1 x 5490548 Anti-friction bearing, drive side
 1 x 5490566 Anti-friction bearing, non drive side
 1 x 5490580 Mechanical seal
 1 x 5490590 Gasket



5430895 EJECTOR DN80, NOZZLE Ø30

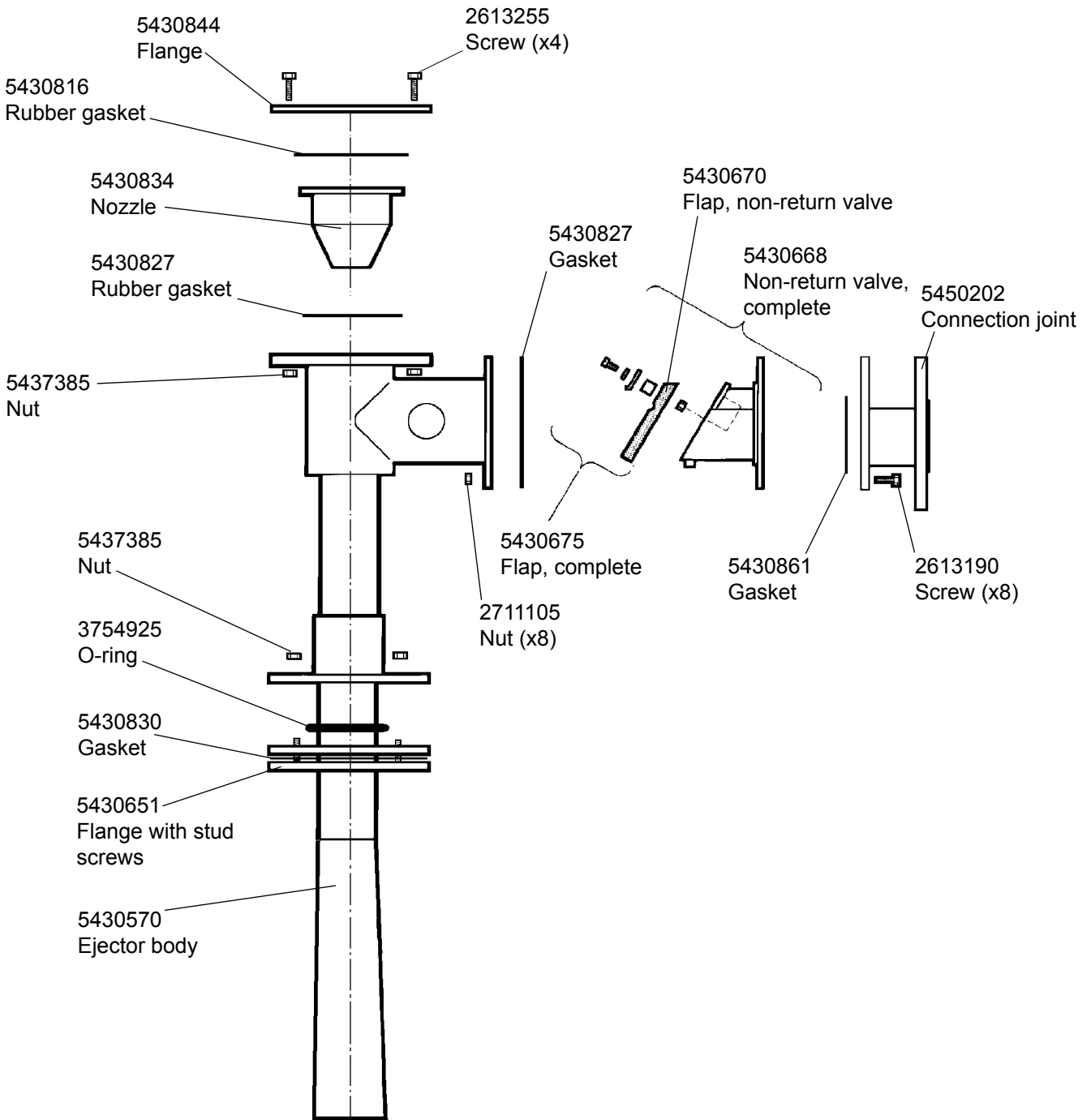
6543037 RECOMMENDED SPARE PART KIT:
 1 x 5430675 Flap complete
 1 x 5430827 Rubber gasket

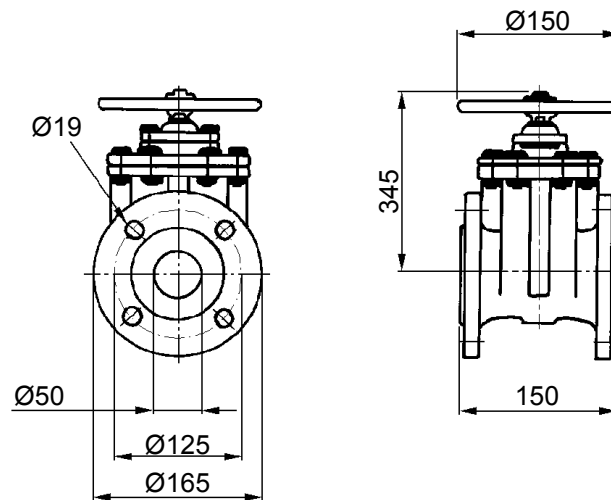


5430840 EJECTOR DN80, NOZZLE Ø30

P/N 5430841 is replaced by P/N 5430840 Ejector with counter flange

6543037 RECOMMENDED SPARE PART KIT:
 1 x 5430675 Flap complete
 1 x 5430827 Gasket



5430595 SHUT-OFF VALVE DN50**Materials**

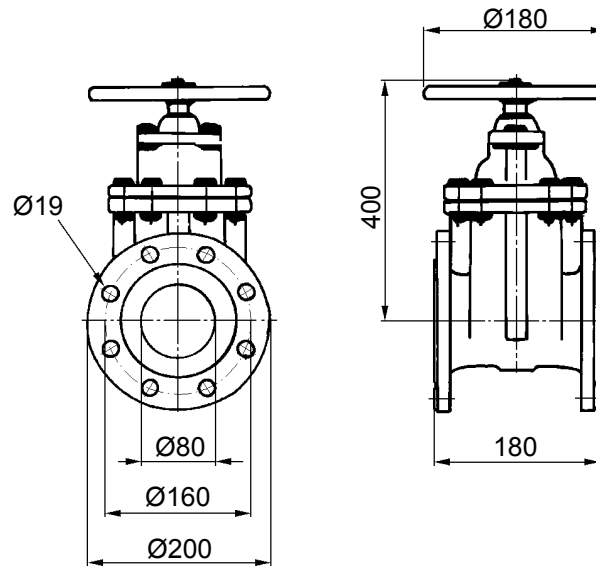
Housing: Ductile cast iron (GGG50)
Slide: EPDM covered
Spindle sealing and scraper: Synthetic rubber

Connections

Pressure class: PN16
Nominal dimension: DN50

Shipping data

Net weight: 14 kg

5430593 SHUT-OFF VALVE DN80**Materials**

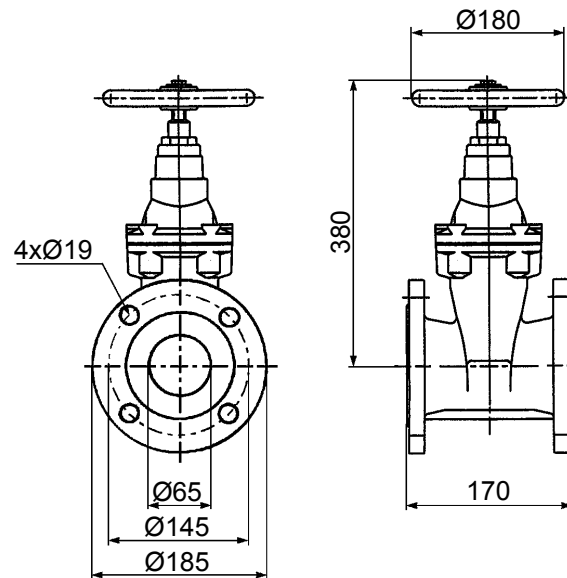
Housing: Ductile cast iron (GGG50)
Slide: EPDM covered
Spindle sealing and scraper: Synthetic rubber

Connections

Pressure class: PN16
Nominal dimension: DN80

Shipping data

Net weight: 20 kg

5430599 SHUT-OFF VALVE DN65**Materials**

Housing: Ductile cast iron (GGG50)
Slide: EPDM covered
Spindle sealing and scraper: Synthetic rubber

Connections

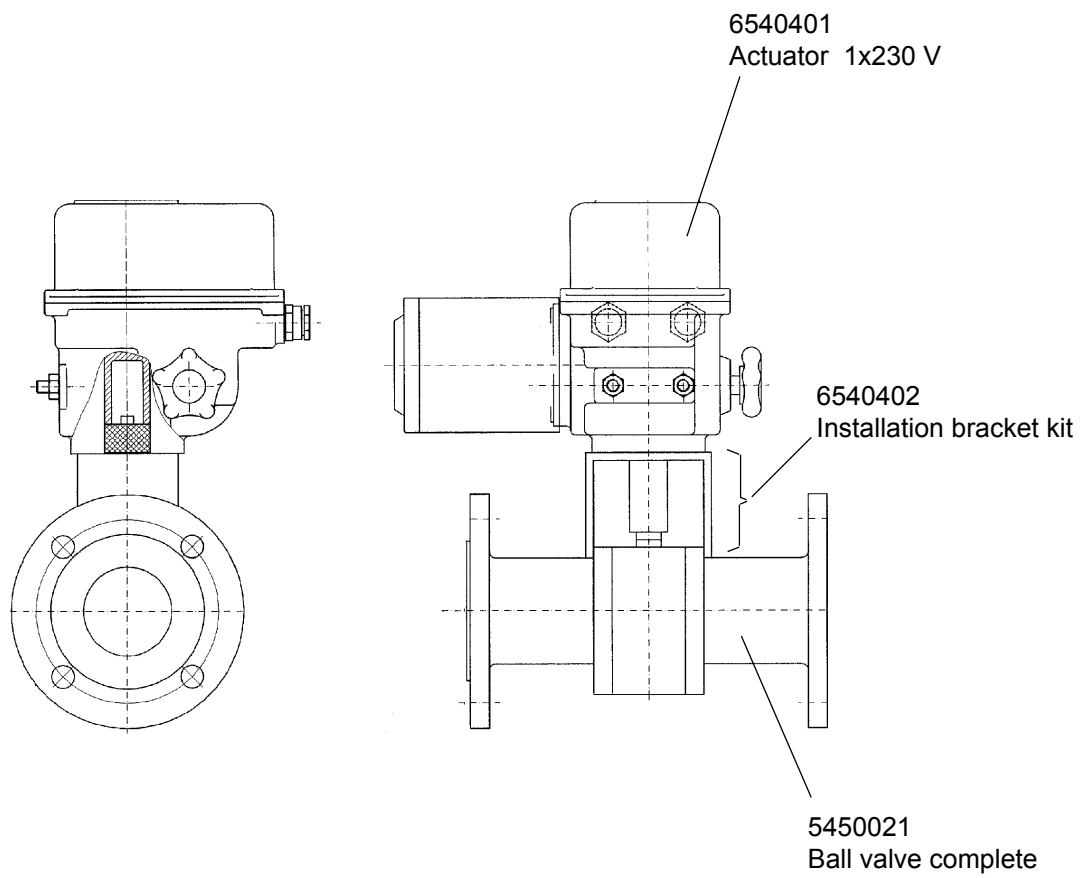
Pressure class: PN16
Nominal dimension: DN65

Shipping data

Net weight: 15 kg

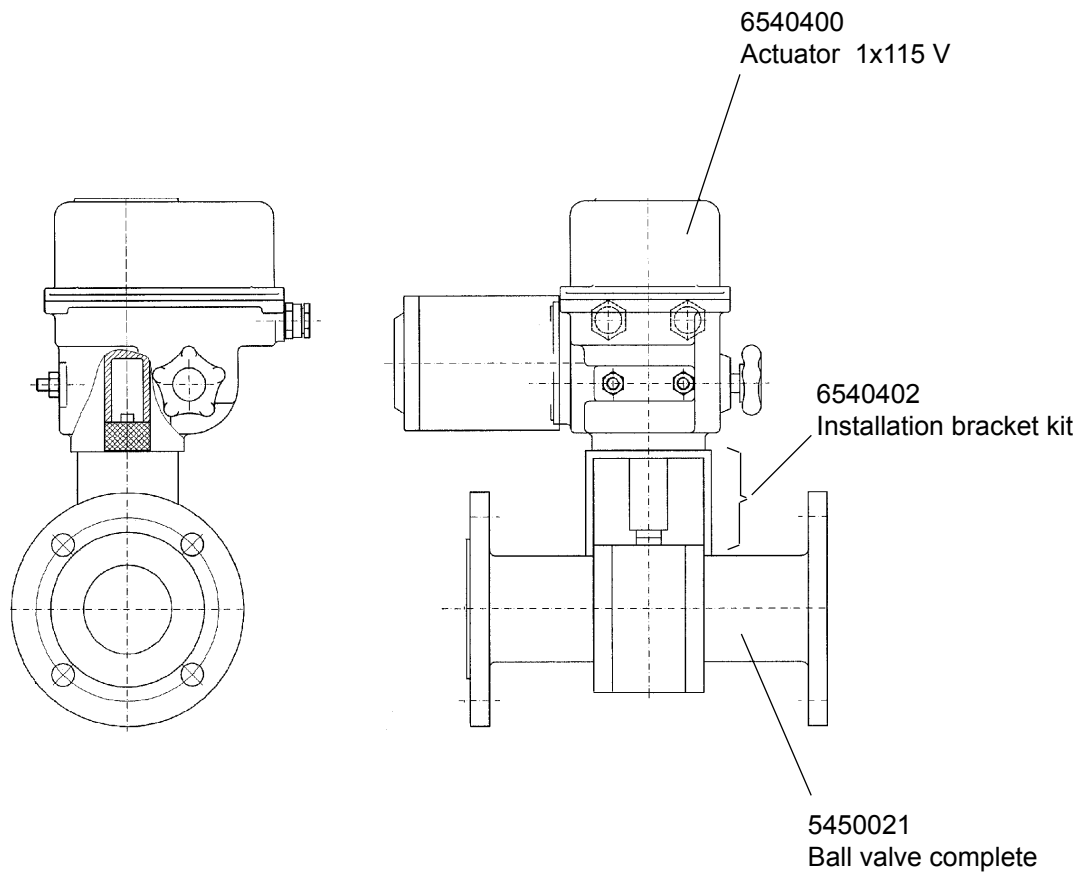
6540215 MOTOR VALVE DN65

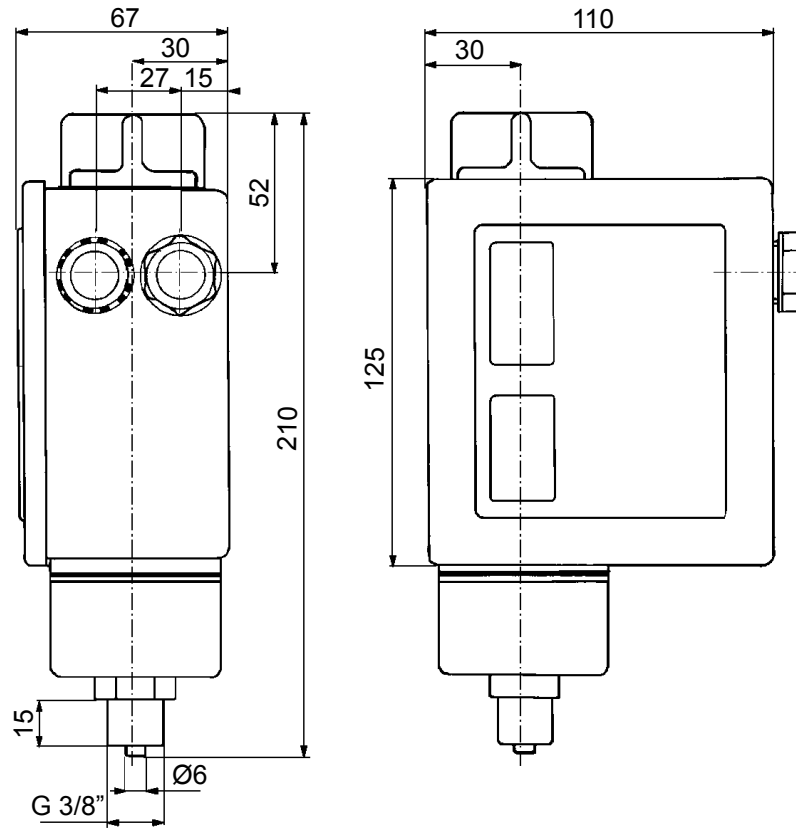
P/N 45023.4 and P/N 5450234 are replaced by P/N 6540215 Motor valve complete 1x230 V 50/60 Hz



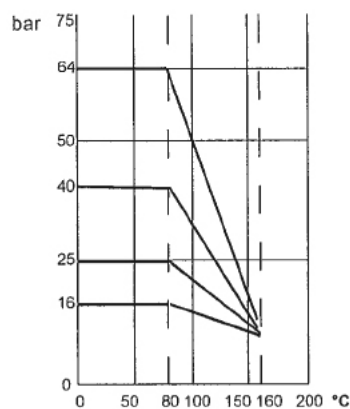
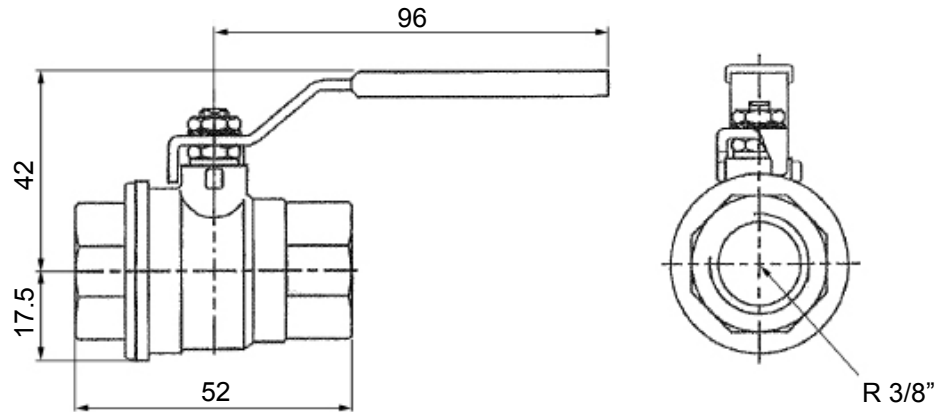
6540255 MOTOR VALVE DN65

P/N 45023.2 and P/N 5450232 are replaced by P/N 6540255 Motor valve complete 1x115 V 60 Hz



5437598 PRESSURE SWITCH G 3/8"


Operating data	Pressure range: 0...100 kPa (abs) Ambient temperature: -50°C ... 70°C
Electrical data	Protection class: IP66 Alternating current; AC-1: 10 A, 400 V AC-3: 4 A, 400 V AC-15: 3 A, 400 V Direct current; DC-13: 12 W, 230 V
Connection	G 3/8"
Shipping data	Net weight: 0.86 kg

5437587 3-WAY VALVE R 3/8"


Pressure and temperature diagram

Materials

Body: Brass nickel-plated
 Ball: Brass chrome-plated
 Connection end: Brass chrome-plated
 Ball seals: PTFE
 Stem: Brass
 Stem seal: NBR
 Lever handle: Carbon steel, zinc-plated
 Hexagon screw: Carbon steel, zinc-plated

Operating data

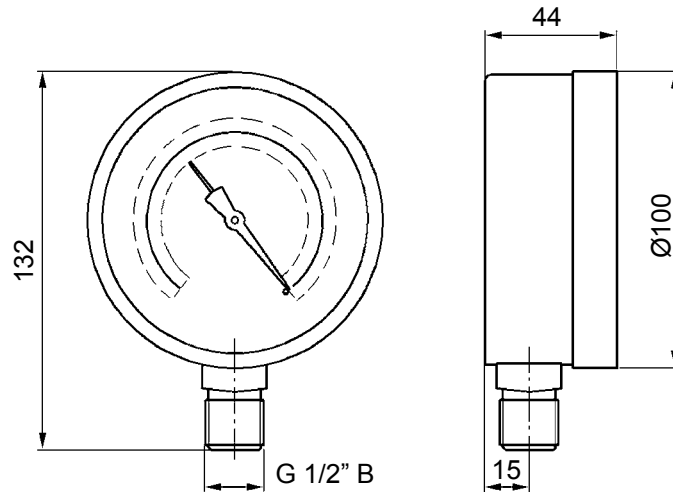
Pressure range: PN10 (up to 80°C)
 Temperature range: -20°C up to +90°C
 Flow coefficient: $K_v = 6 \text{ m}^3/\text{h}$
 Design: Full cylindrical bore with a drain bore in the bottom

Connection

Female: B.S.P thread 3/8", ISO 7/1

Shipping data

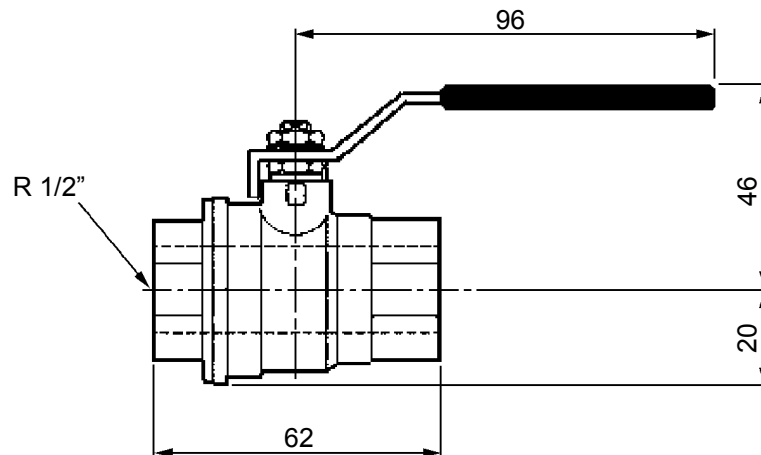
Net weight: 0.20 kg

5437623 VACUUM GAUGE G 1/2"

Operation data Range: 0 ... -100 kPa

Connections G 1/2" B

Shipping data Net weight: 0.49 kg

5437666 VALVE R 1/2"**Materials**

Body: Brass nickel-plated
Ball: Brass chrome-plated
Seal: PTFE
Handle: Carbon Steel

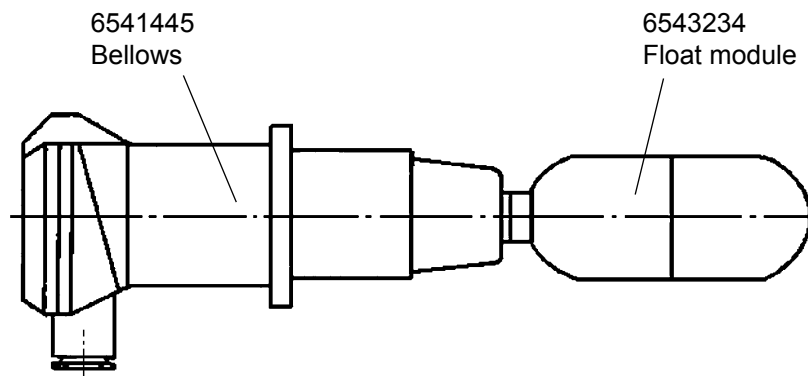
Operating data

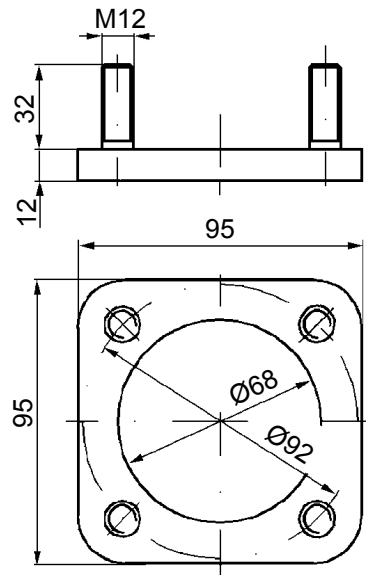
Female B.S.P. thread 1/4" - 1", ISO 7/1
-20° to +90°C
PN10 (up to 80°C)

Shipping data

Net weight: 0.22 kg

5430612 LEVEL SWITCH



5430615 FLANGE FOR LEVEL SWITCH

Materials Flange: Stainless steel EN 1.4404

Shipping data Net weight: 0.56 kg

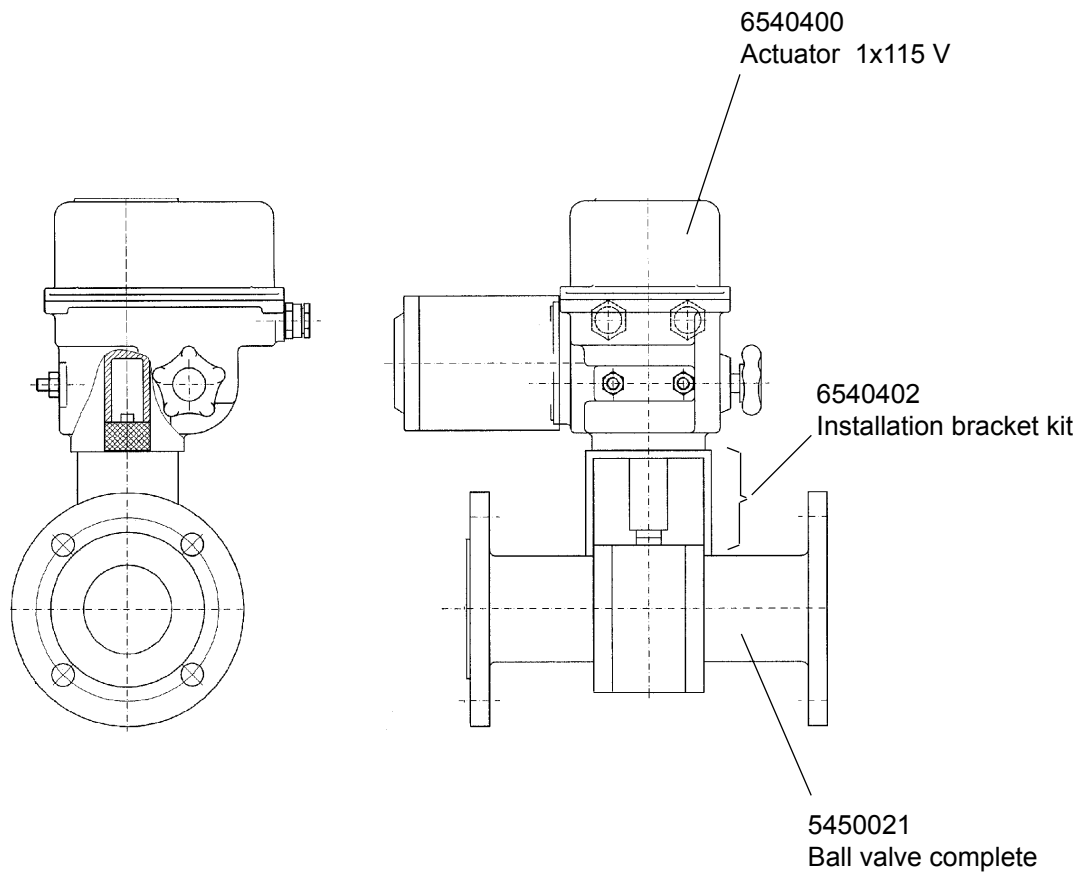
COLLECTING UNITS, DN80

REPLACING PRODUCTS

Old products			Replacing products		
Name	P/N		P/N	Name	Link to document
Discharge valve DN65 115 V	5450232	▶	6540255	Motor valve DN65 115 V 60 Hz	003260-1
	45023.2	▶			
Discharge valve DN65 220 V	5450234	▶	6540215	Motor valve DN65 230 V 50/60 Hz	6:311H
	45023.4	▶			
Ejector DN80	5430841	▶	5430840	Ejector DN80	6:302H
Pump 4/HK	6541200	▶	6547010	Discharge pump kit	002527-4
Pump 4/HK	6541574	▶	6547011	Discharge pump kit	002527-4

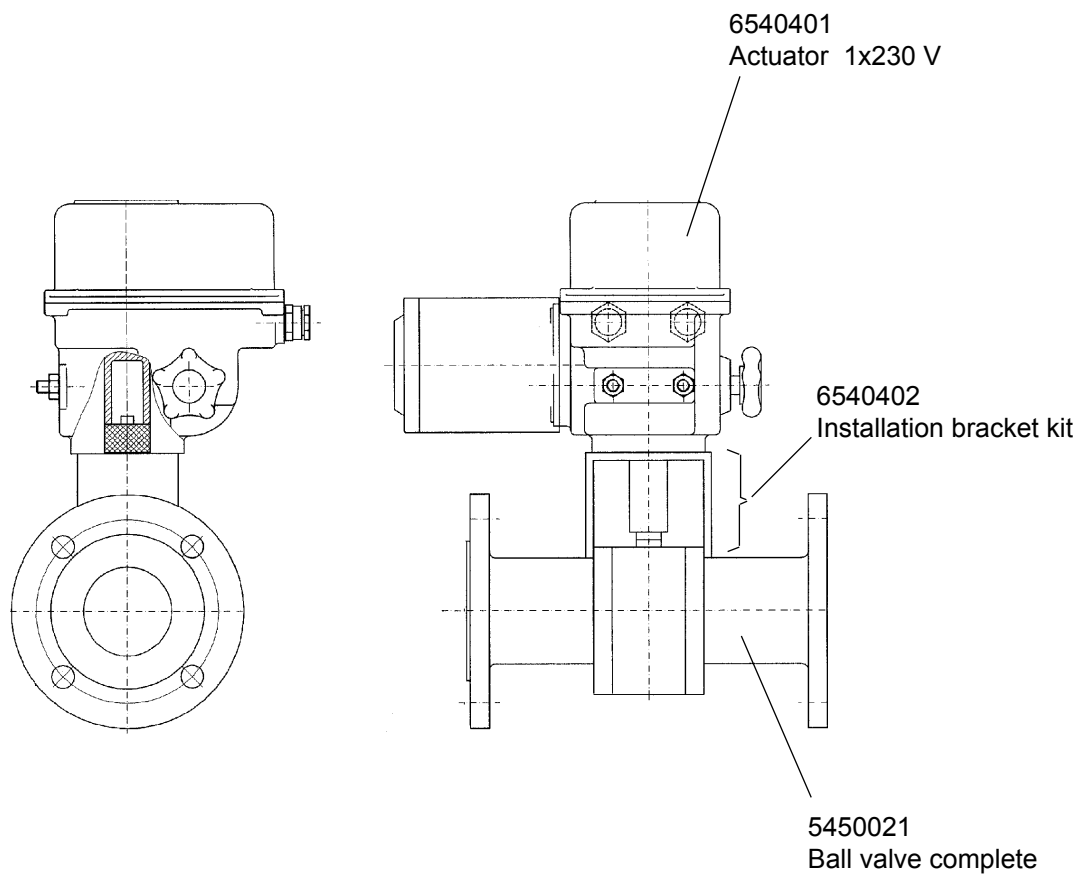
6540255 MOTOR VALVE DN65

P/N 45023.2 and P/N 5450232 are replaced by P/N 6540255 Motor valve complete 1x115 V 60 Hz



6540215 MOTOR VALVE DN65

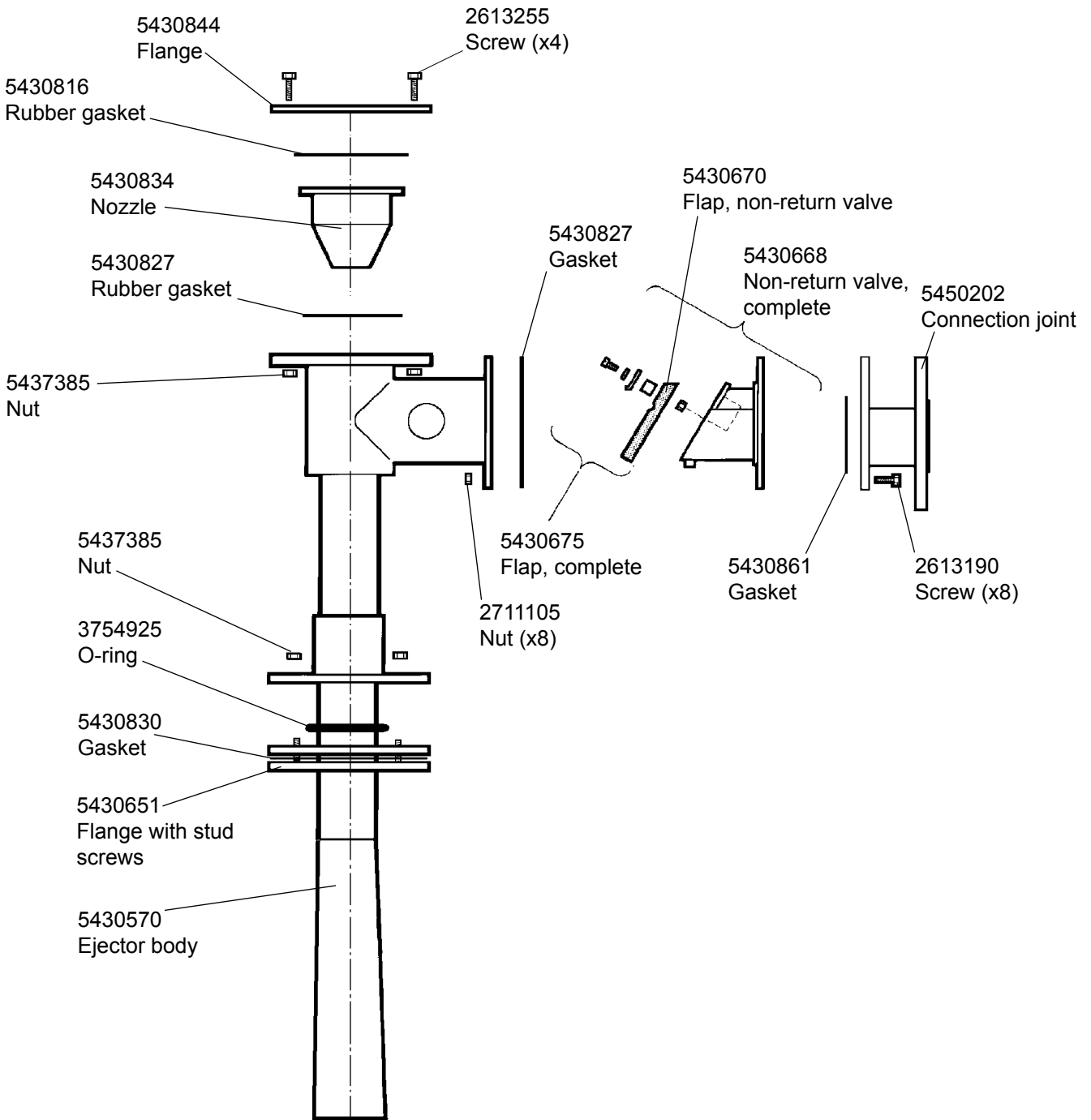
P/N 45023.4 and P/N 5450234 are replaced by P/N 6540215 Motor valve complete 1x230 V 50/60 Hz



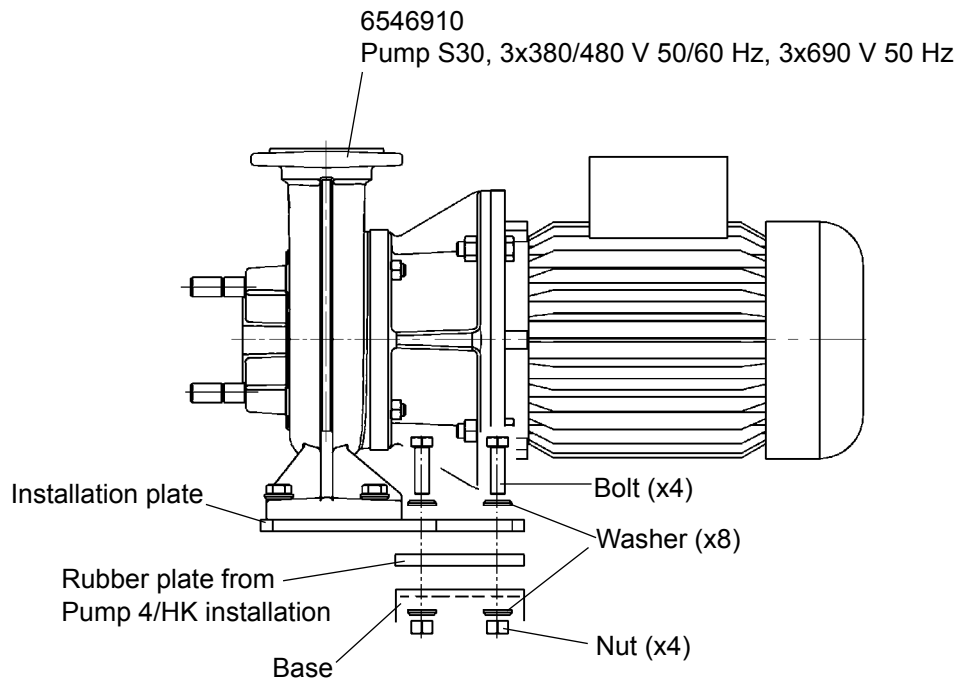
5430840 EJECTOR DN80, NOZZLE Ø30

P/N 5430841 is replaced by P/N 5430840 Ejector with counter flange

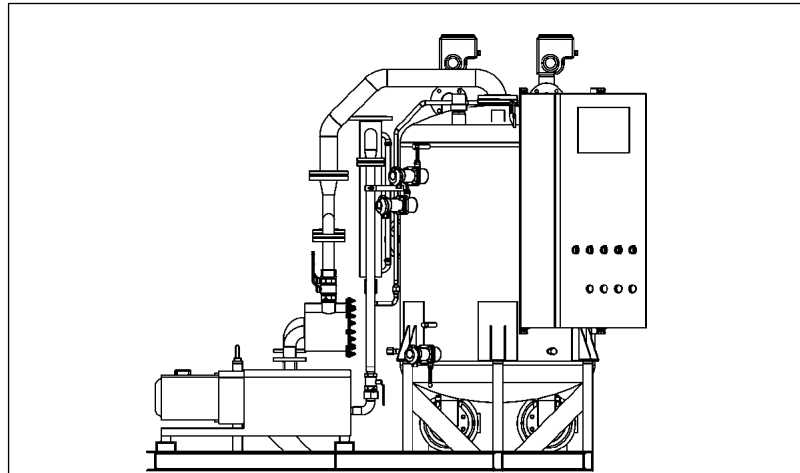
6543037 RECOMMENDED SPARE PART KIT:
 1 x 5430675 Flap complete
 1 x 5430827 Gasket



6547010 PUMP S30 RETROFIT KIT FOR PUMP 4/HK (for P/N 6541200)



VACUUM TANK UNITS

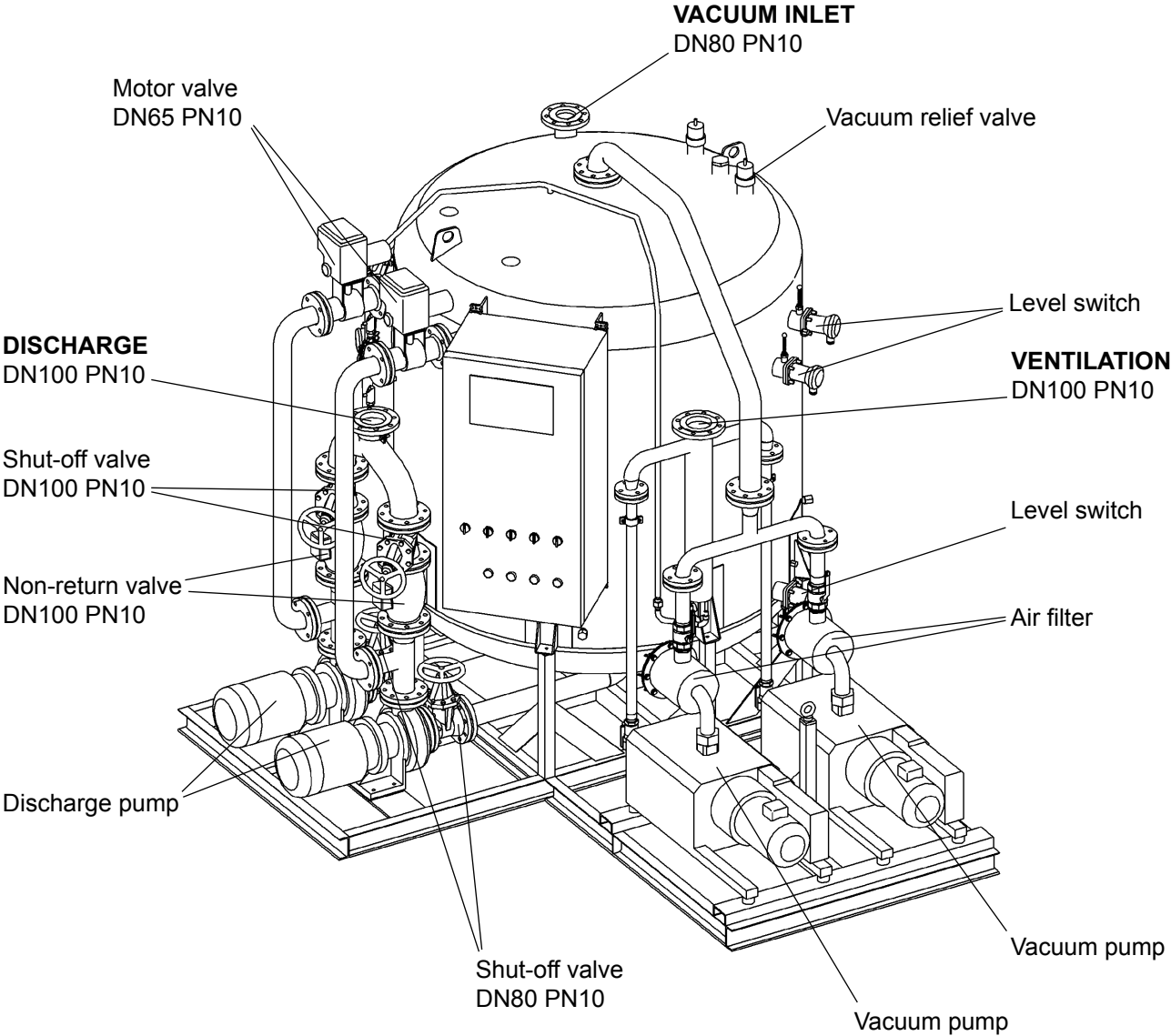


[Spare parts](#)

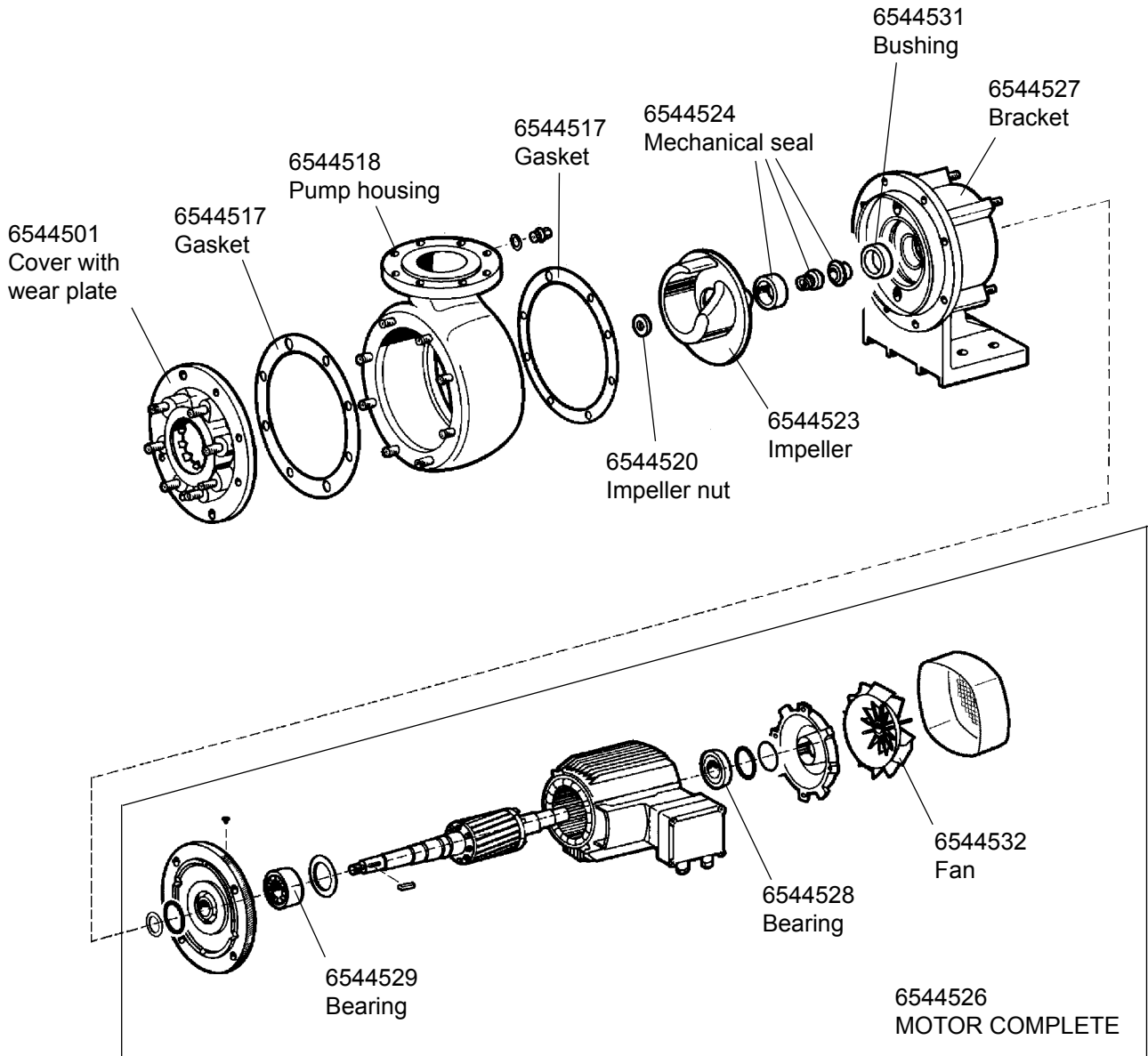
VACUUM TANK UNITS

VACUUM TANK UNITS

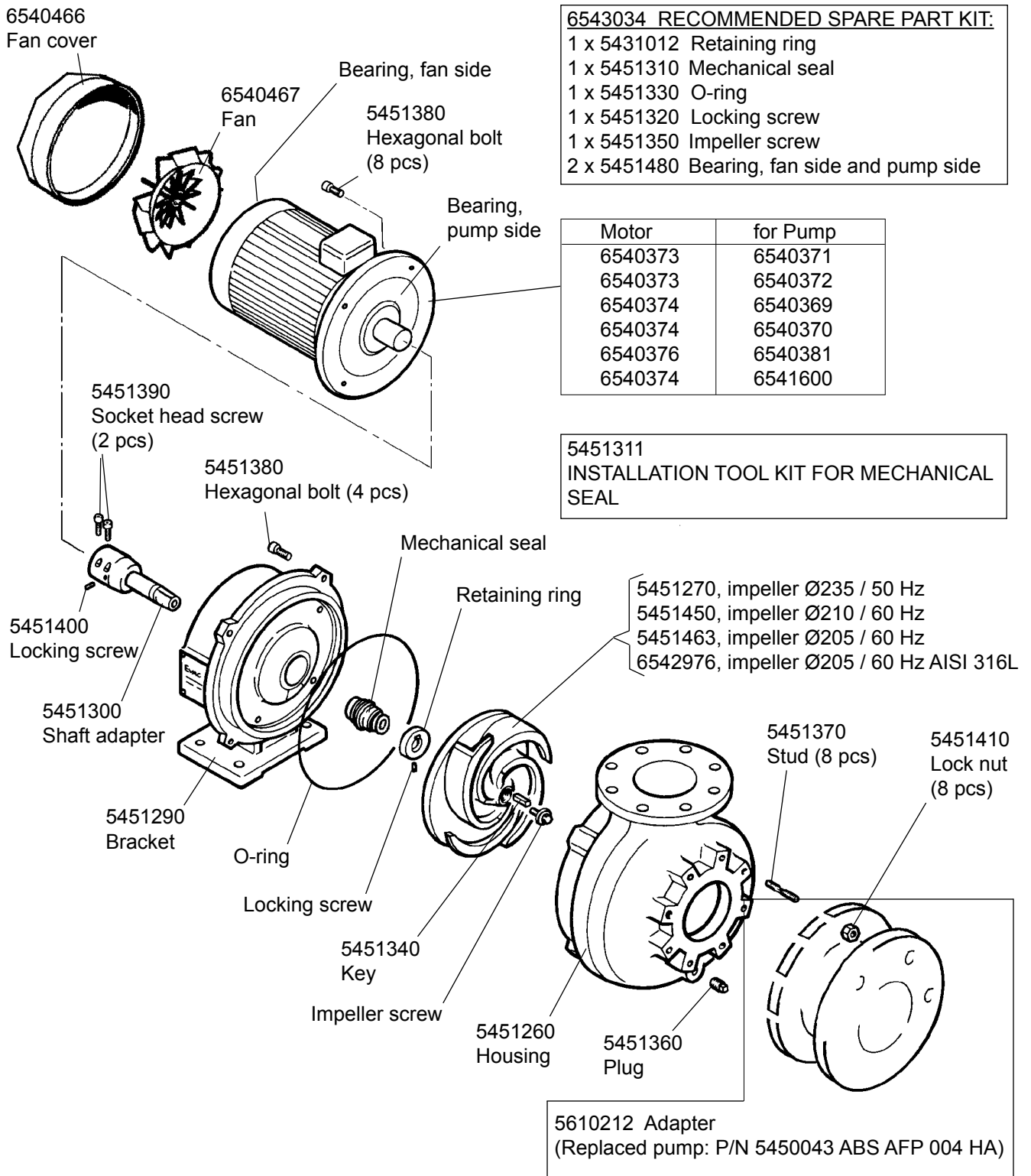
(Example)

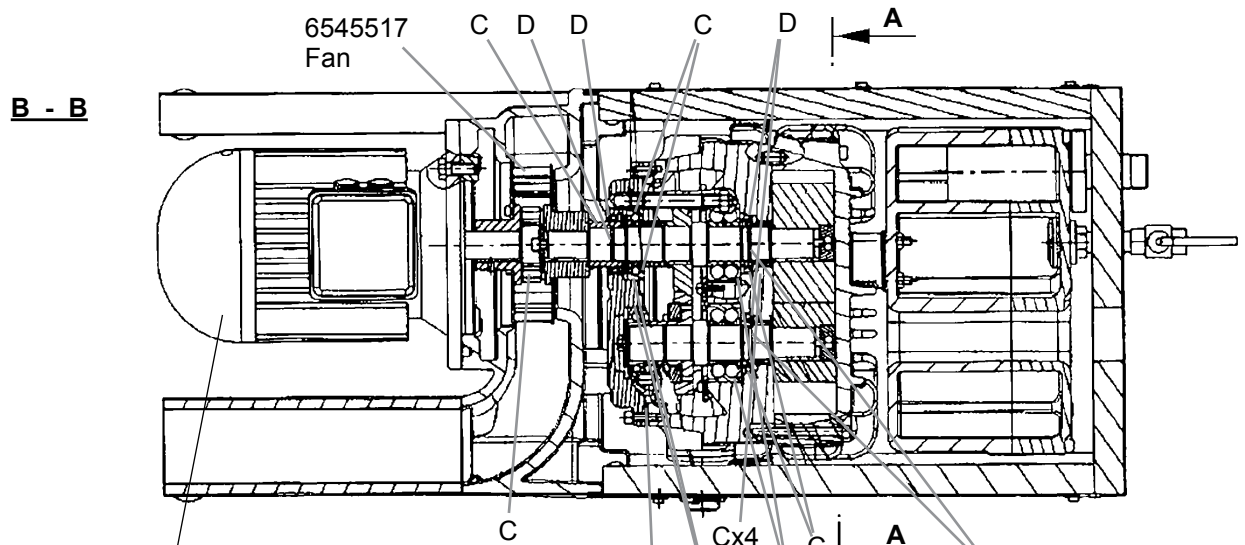


6543759 PUMP TYPE 7.5/HK, 3x400/460 V 50/60 Hz, IMPELLER Ø130

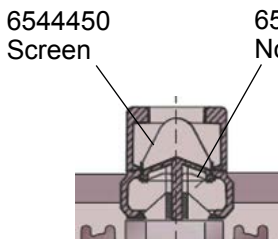
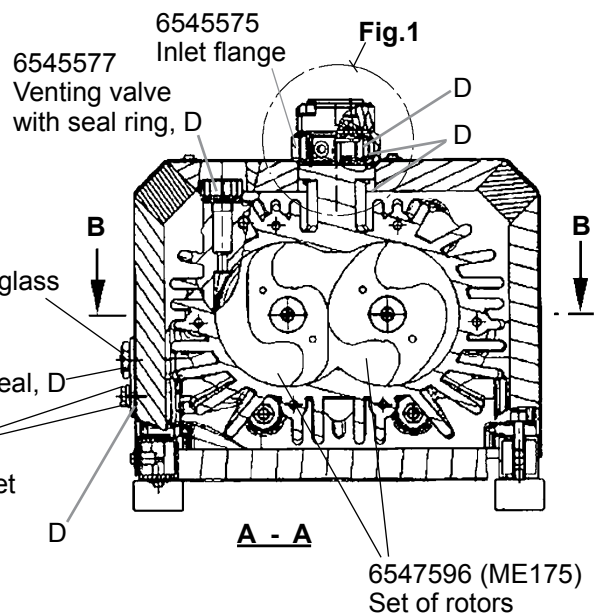
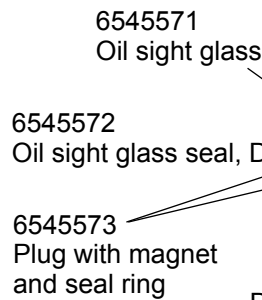


6540371	PUMP EVAC SE 044A, 3x230 V 60 Hz, IMPELLER Ø210
6540372	PUMP EVAC SE 044A, 3x220 V 50 Hz, IMPELLER Ø235
6540369	PUMP EVAC SE 044A, 3x400 V 50 Hz, IMPELLER Ø235
6540370	PUMP EVAC SE 044A, 3x460 V 60 Hz, IMPELLER Ø210
6540381	PUMP EVAC SE 044A, 3x690 V 60 Hz, IMPELLER Ø205
6541600	PUMP EVAC SE 044A, 3x660 V 50 Hz, IMPELLER Ø235



6543361 VACUUM PUMP ME175, 380-440 V 50/60 Hz


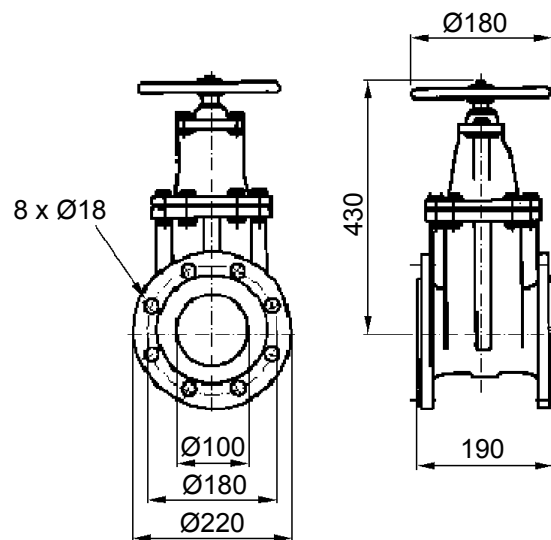
Vacuum pump	Motor, part no.		
	380-420/690 V 50 Hz	440-480 V 60 Hz	690 V 60 Hz
ME175	6550337	6550338	6550339


Fig.1


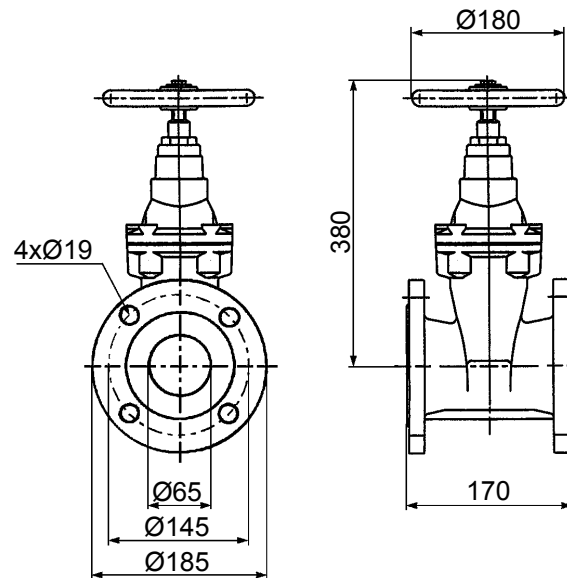
6544452 SEALING SET (mark D)		6544451 OVERHAUL KIT (includes sealing set, mark D and other parts, mark C)
Seal 45-60-8	(x3)	Double row ball bearing
Seal 26x31x2	(x1)	Ball bearing
O-ring 30x2	(x3)	O-ring
O-ring 19x2	(x1)	Collar
O-ring 44x3	(x1)	Piston ring
O-ring 65x3	(x2)	Retaining sleeve
Oil sight glass seal	(x1)	Gear rim
Venting valve R 1/2" with seal ring	(x1)	Sealing set

! NOTE:

When ordering spare parts please always quote the type and the serial no. of the vacuum pump.

5430591 SHUT-OFF VALVE DN100

Materials	Housing: Nodular cast iron GGG50 Slide: EPDM covered Spindle sealing and scraper: Synthetic rubber
Connections	Pressure class: PN 16 Nominal dimension: DN100
Shipping data	Net weight: 31.4 kg Shipping volume: 0.03 m ³

5430599 SHUT-OFF VALVE DN65**Materials**

Housing: Ductile cast iron (GGG50)
Slide: EPDM covered
Spindle sealing and scraper: Synthetic rubber

Connections

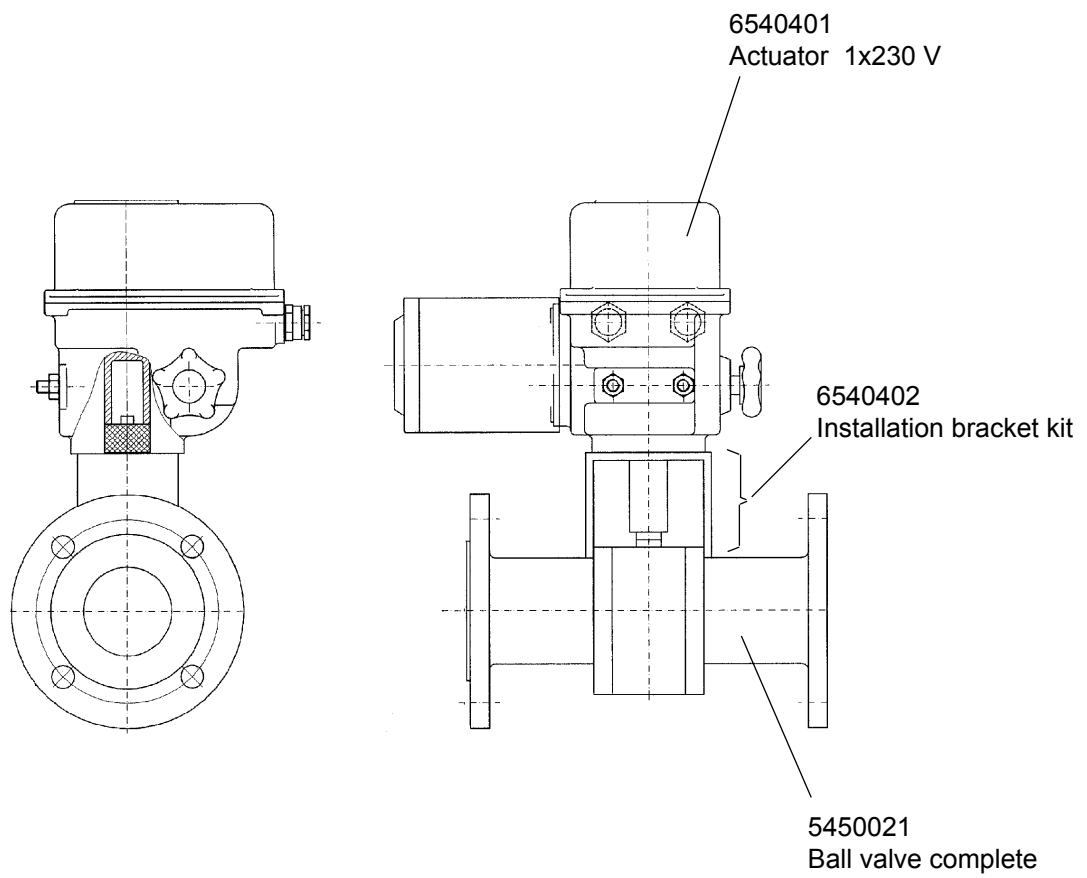
Pressure class: PN16
Nominal dimension: DN65

Shipping data

Net weight: 15 kg

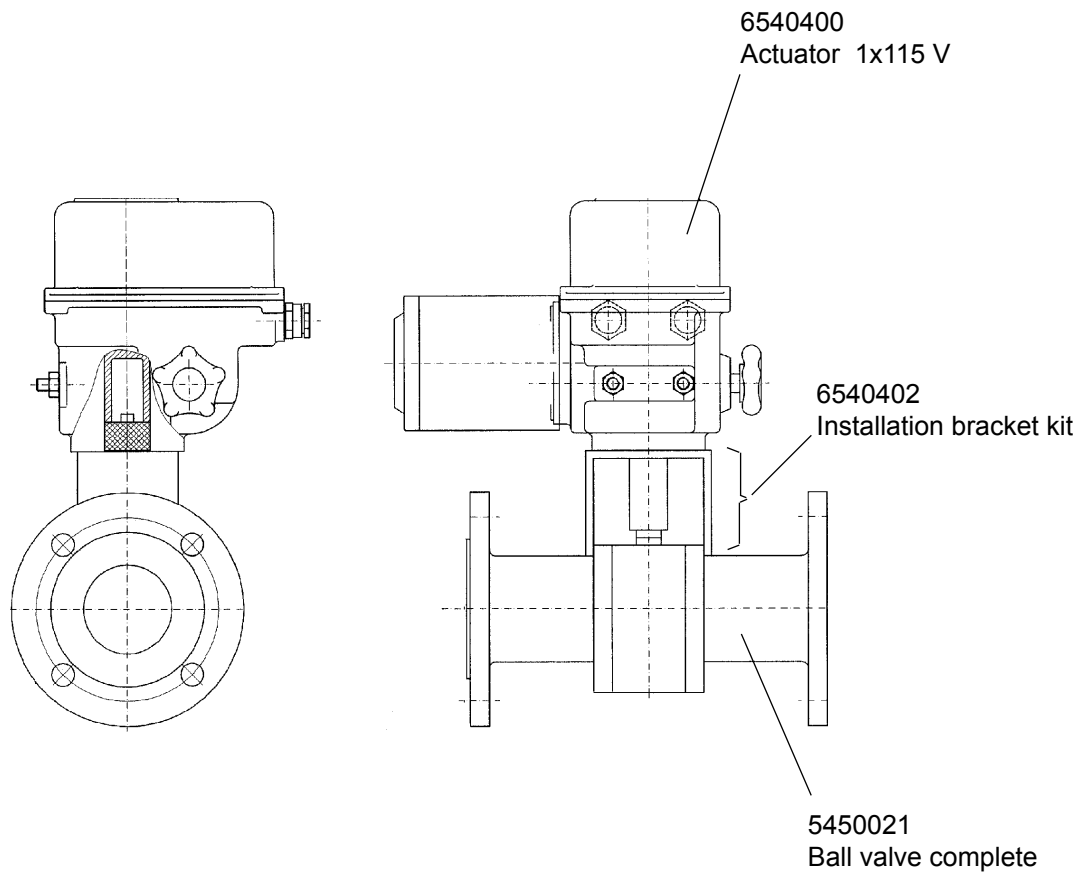
6540215 MOTOR VALVE DN65

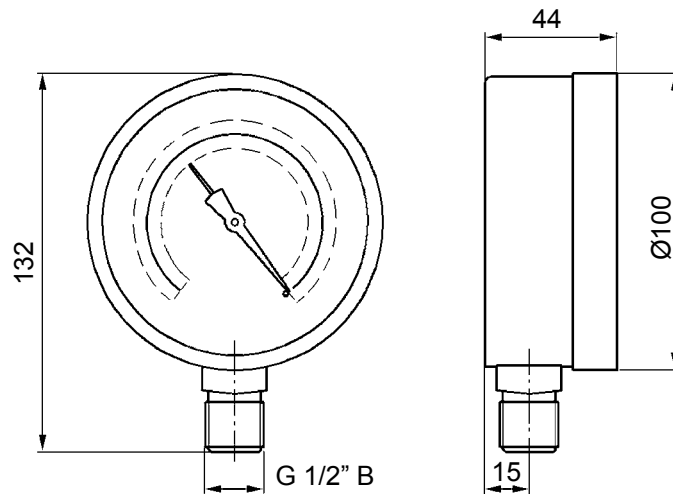
P/N 45023.4 and P/N 5450234 are replaced by P/N 6540215 Motor valve complete 1x230 V 50/60 Hz



6540255 MOTOR VALVE DN65

P/N 45023.2 and P/N 5450232 are replaced by P/N 6540255 Motor valve complete 1x115 V 60 Hz

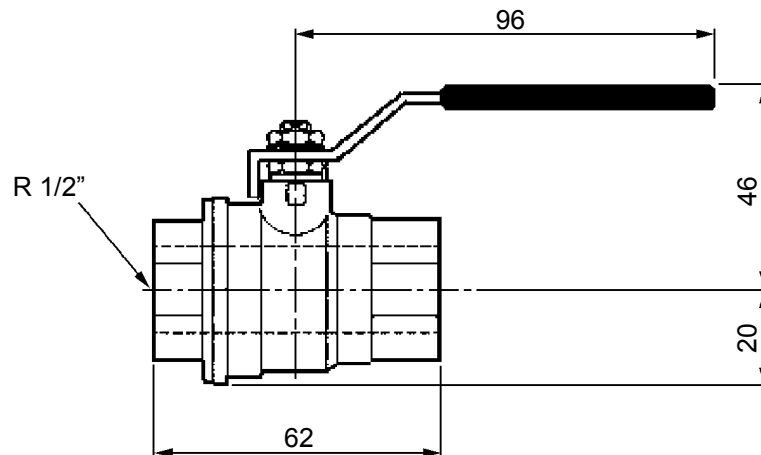


5437623 VACUUM GAUGE G 1/2"

Operation data Range: 0 ... -100 kPa

Connections G 1/2" B

Shipping data Net weight: 0.49 kg

5437666 VALVE R 1/2"**Materials**

Body: Brass nickel-plated
Ball: Brass chrome-plated
Seal: PTFE
Handle: Carbon Steel

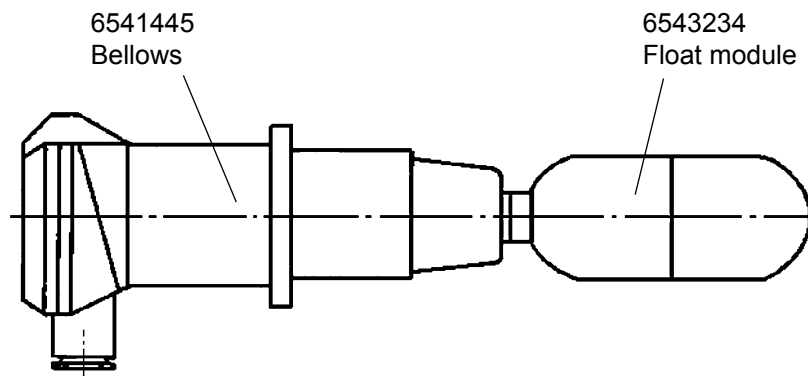
Operating data

Female B.S.P. thread 1/4" - 1", ISO 7/1
-20° to +90°C
PN10 (up to 80°C)

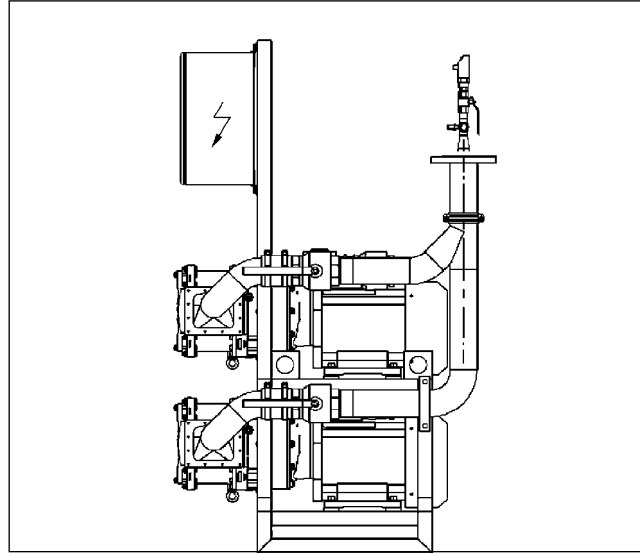
Shipping data

Net weight: 0.22 kg

5430612 LEVEL SWITCH



EVAC ONLINEFLEX

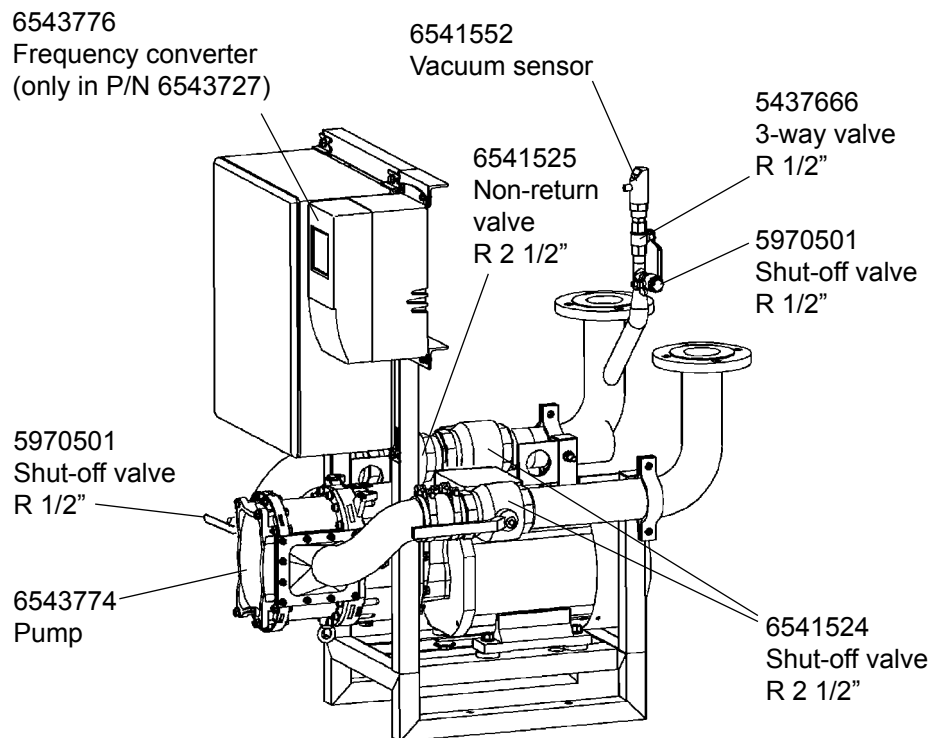


[Spare parts](#)

EVAC ONLINEFLEX

6543726 EVAC ONLINEFLEX F 60

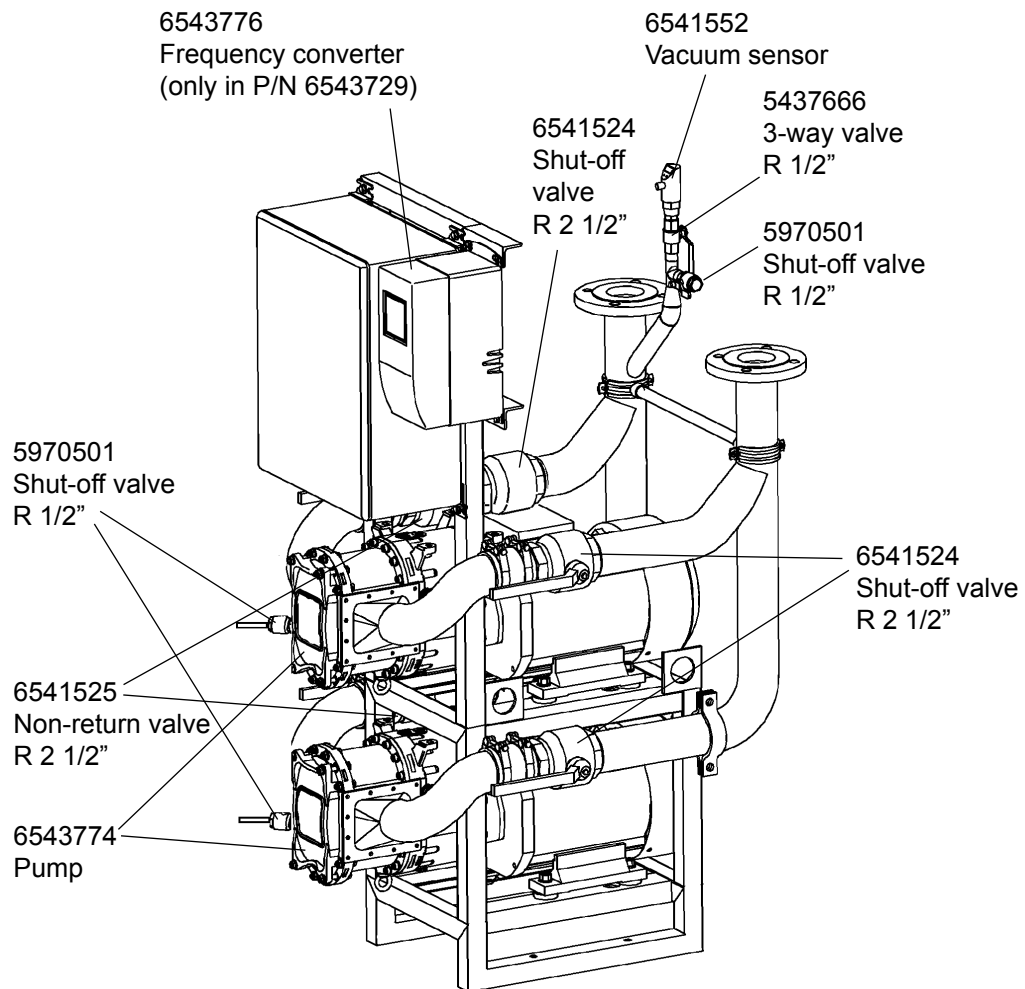
6543727 EVAC ONLINEFLEX Fi 60



EVAC ONLINEFLEX

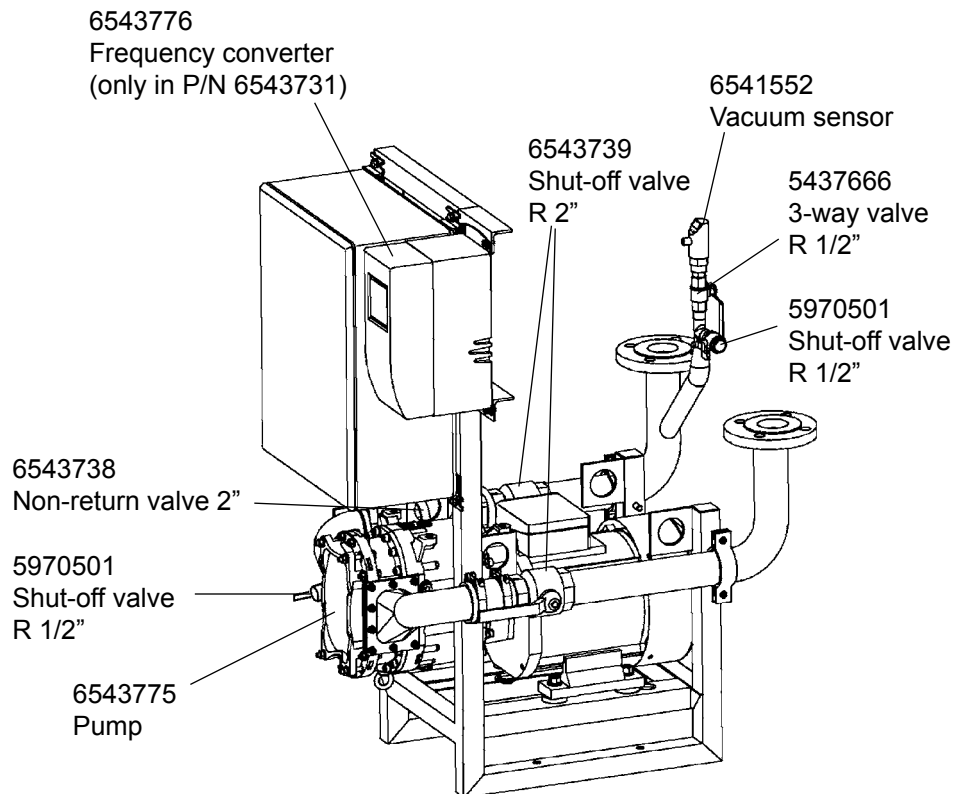
6543728 EVAC ONLINEFLEX 2 F 60

6543729 EVAC ONLINEFLEX 2 Fi 60



EVAC ONLINEFLEX

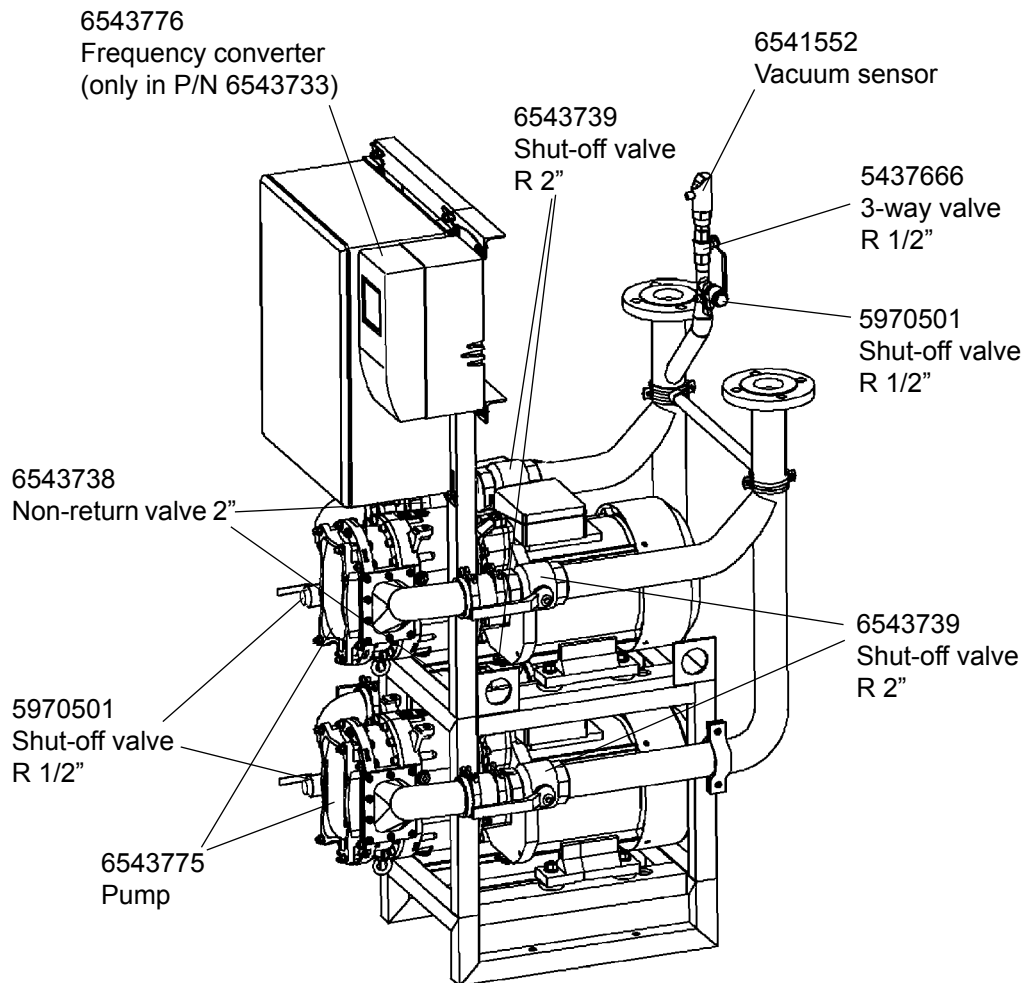
6543730 EVAC ONLINEFLEX F 30
6543731 EVAC ONLINEFLEX Fi 30



EVAC ONLINEFLEX

6543732 EVAC ONLINEFLEX 2 F 30

6543733 EVAC ONLINEFLEX 2 Fi 30



EVAC ONLINEFLEX

- 6545599 EVAC ONLINEFLEX FX 30
- 6550112 EVAC ONLINEFLEX FX 30
- 6545600 EVAC ONLINEFLEX FXi 30
- 6545113 EVAC ONLINEFLEX FXi 30

6543776
Frequency converter
(in P/N 6545600 and P/N 6545113)

6541552
Vacuum sensor

5437666
3-way valve
R 1/2"

5970501
Shut-off valve
R 1/2"

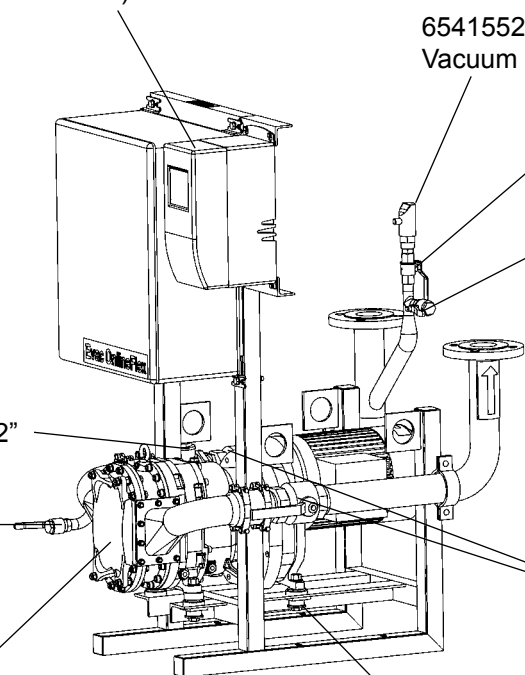
6543738
Non-return valve 2"

5970501
Shut-off valve
R 1/2"

6543739
Shut-off valve
R 2"

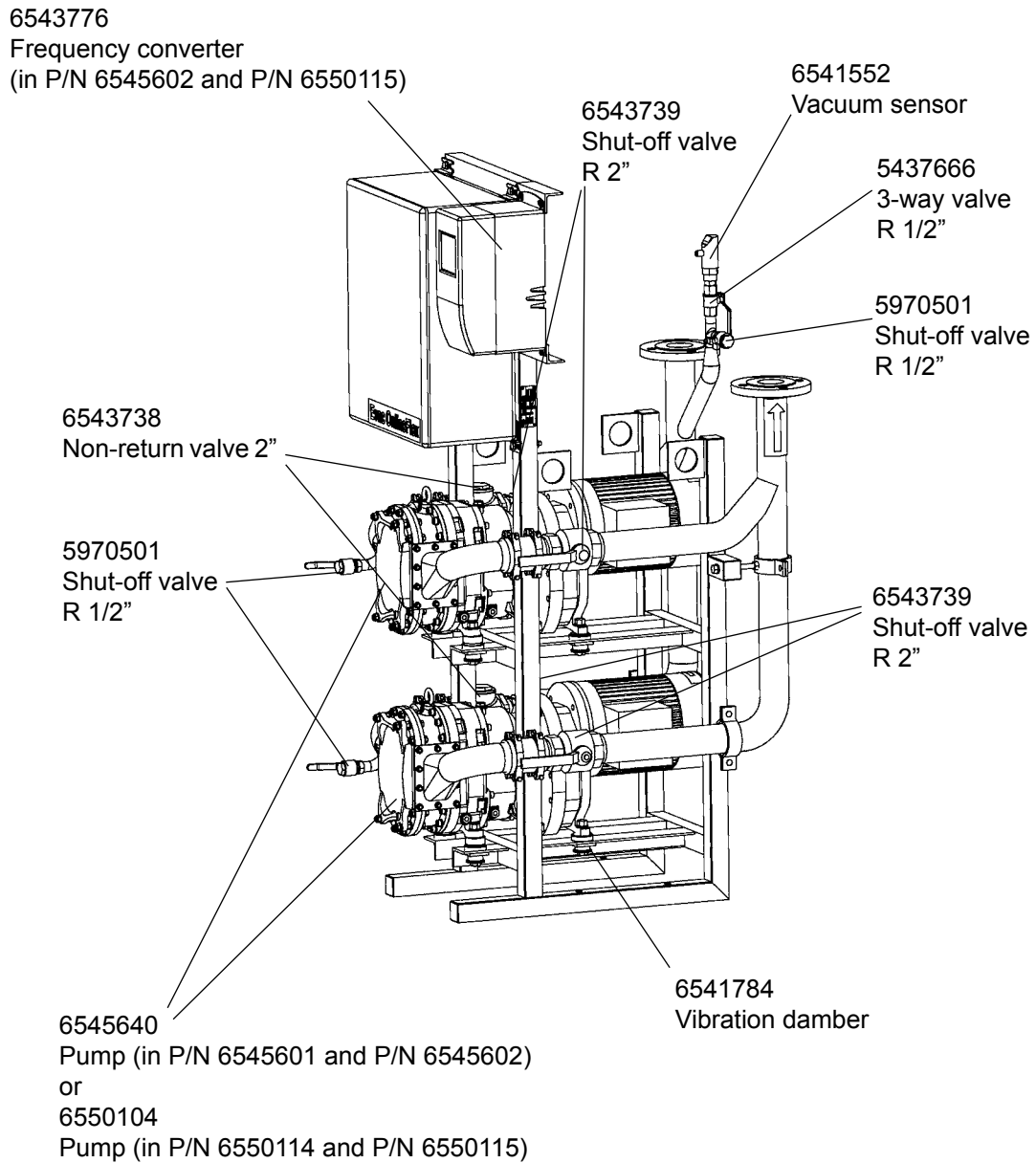
6545640
Pump (in P/N 6545599 and P/N 6545600)
or
6550104
Pump (in P/N 6550112 and P/N 6550113)

6541784
Vibration damper



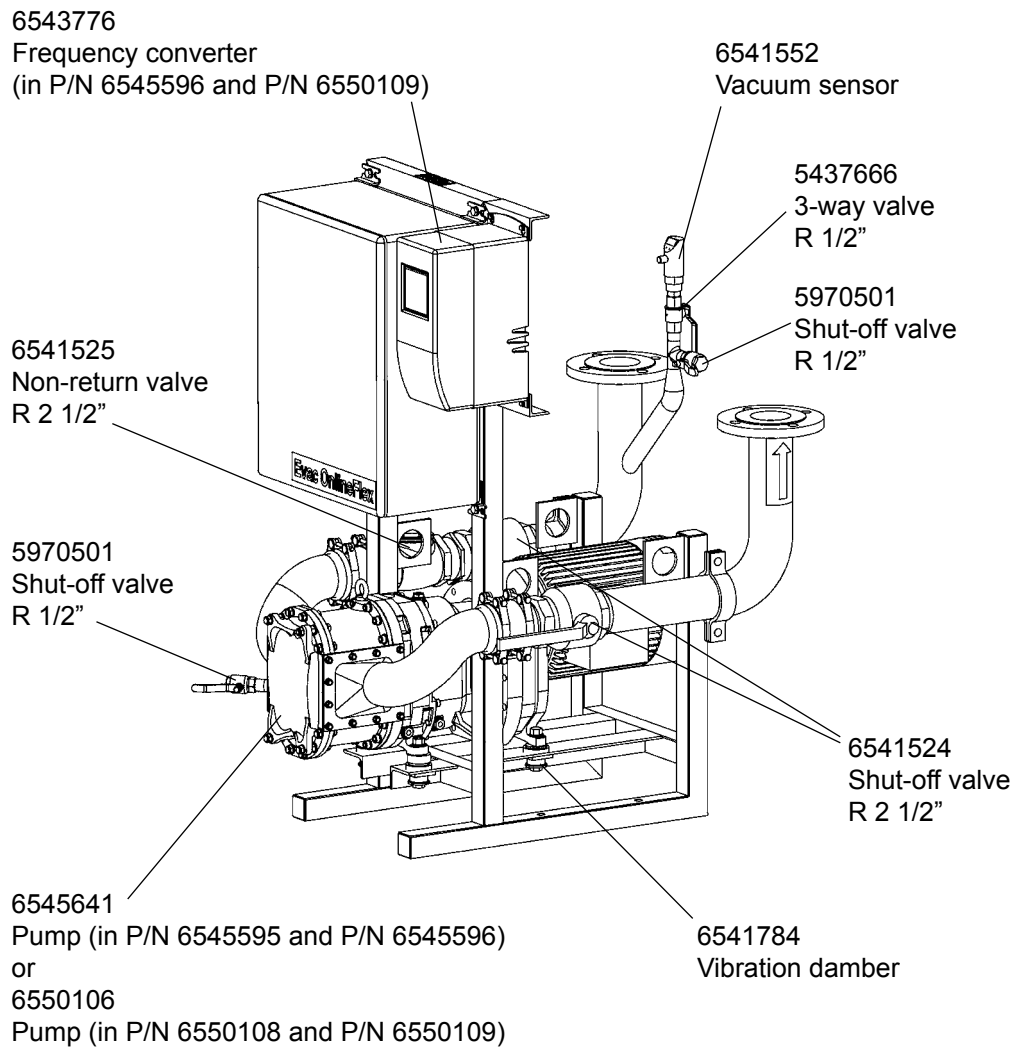
EVAC ONLINEFLEX

- 6545601 EVAC ONLINEFLEX 2 FX 30
- 6550114 EVAC ONLINEFLEX 2 FX 30
- 6545602 EVAC ONLINEFLEX 2 FXi 30
- 6555115 EVAC ONLINEFLEX 2 FXi 30



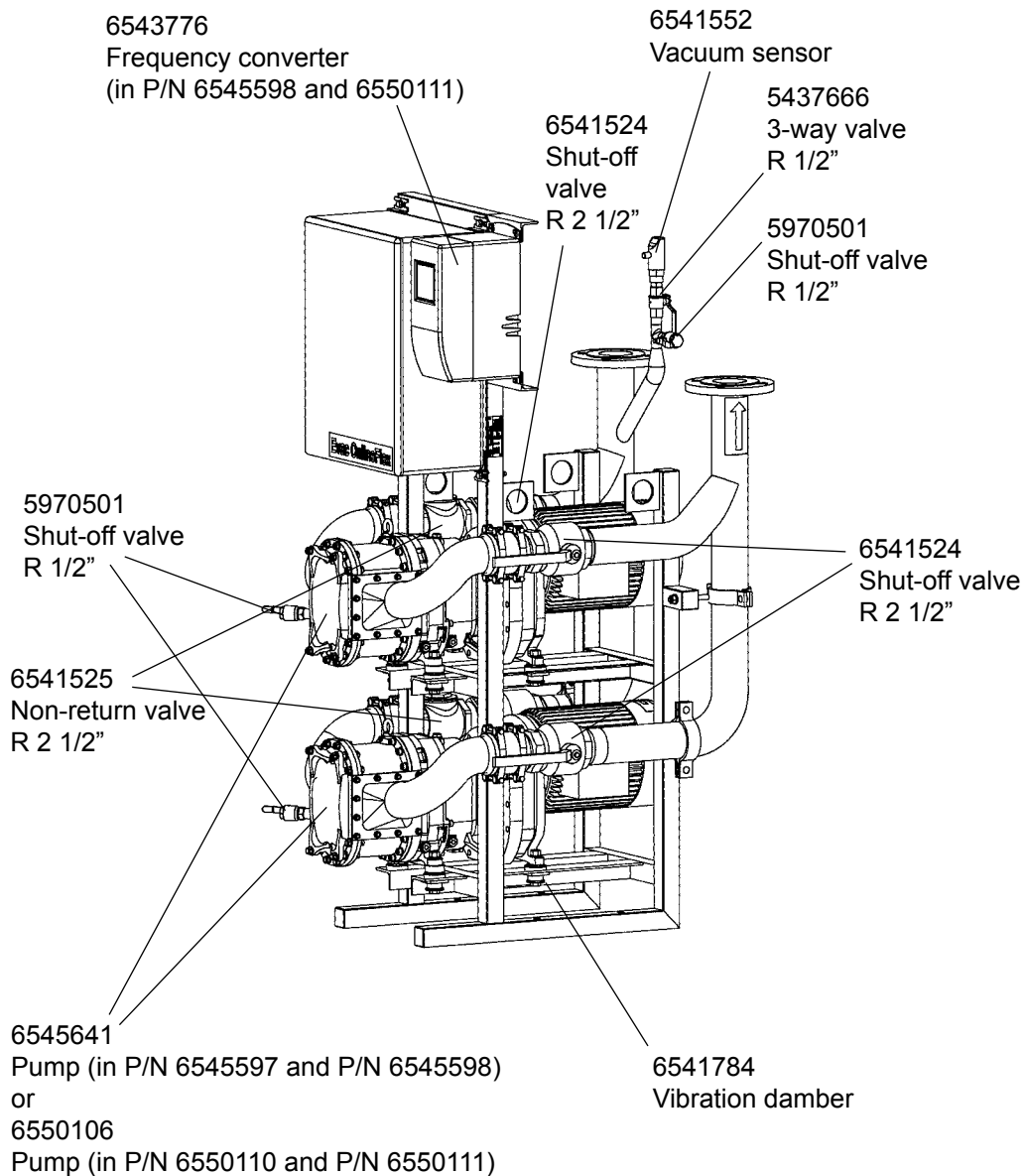
EVAC ONLINEFLEX

- 6545595 EVAC ONLINEFLEX FX 60
- 6550108 EVAC ONLINEFLEX FX 60
- 6545596 EVAC ONLINEFLEX FXi 60
- 6550109 EVAC ONLINEFLEX FXi 60



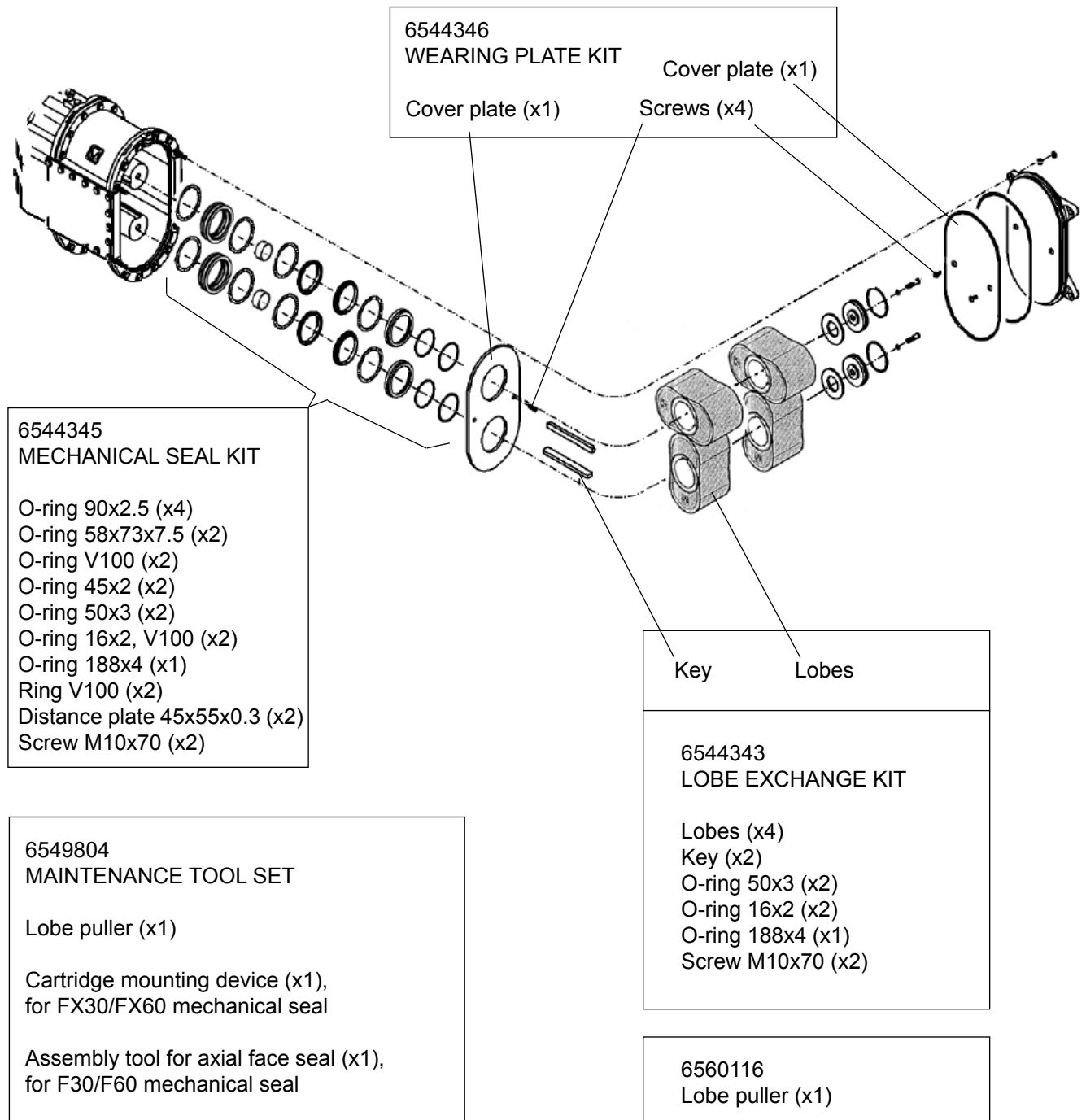
EVAC ONLINEFLEX

- 6545597 EVAC ONLINEFLEX 2 FX 60
- 6550110 EVAC ONLINEFLEX 2 FX 60
- 6545598 EVAC ONLINEFLEX 2 FXi 60
- 6550111 EVAC ONLINEFLEX 2 FXi 60

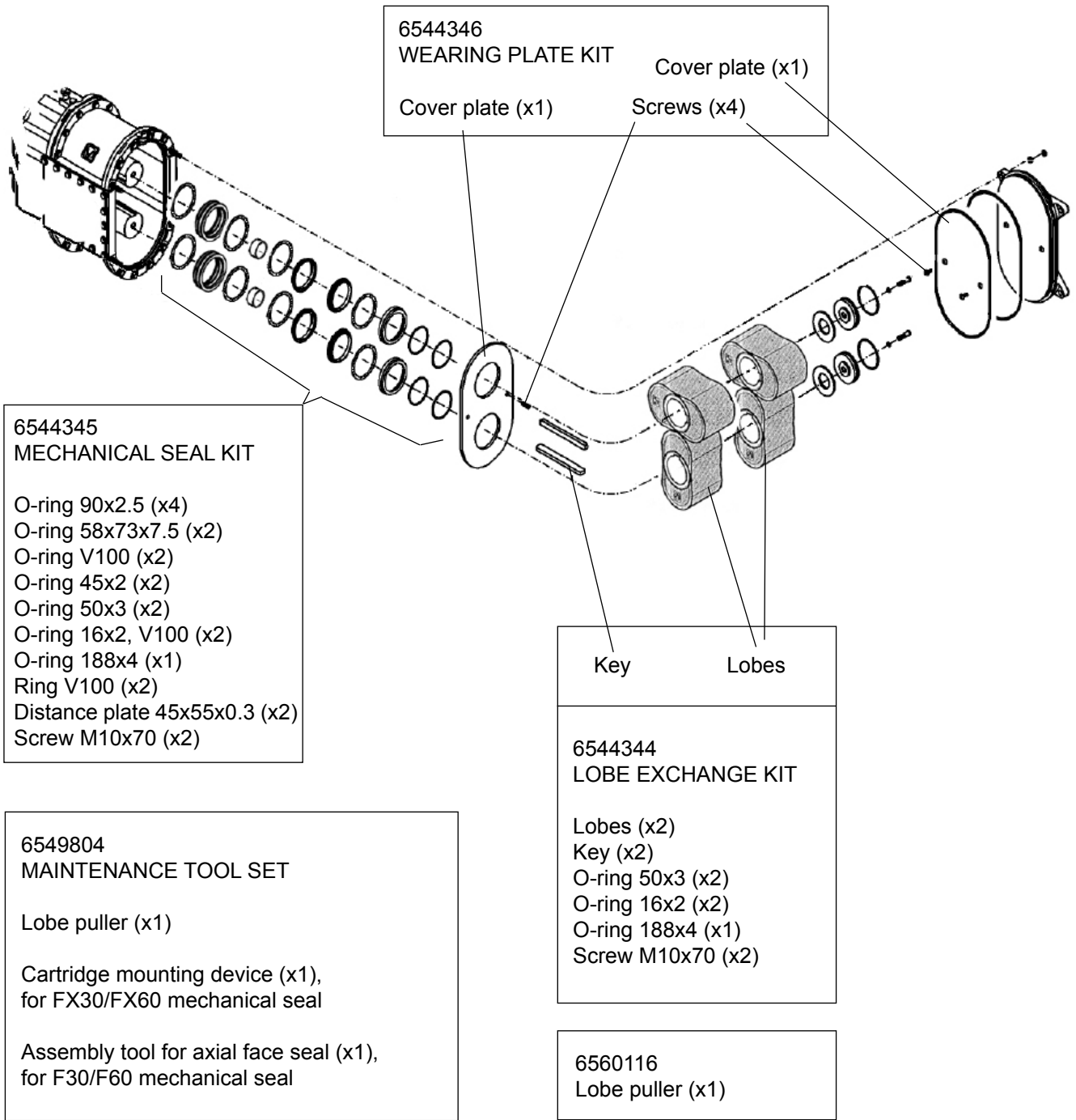


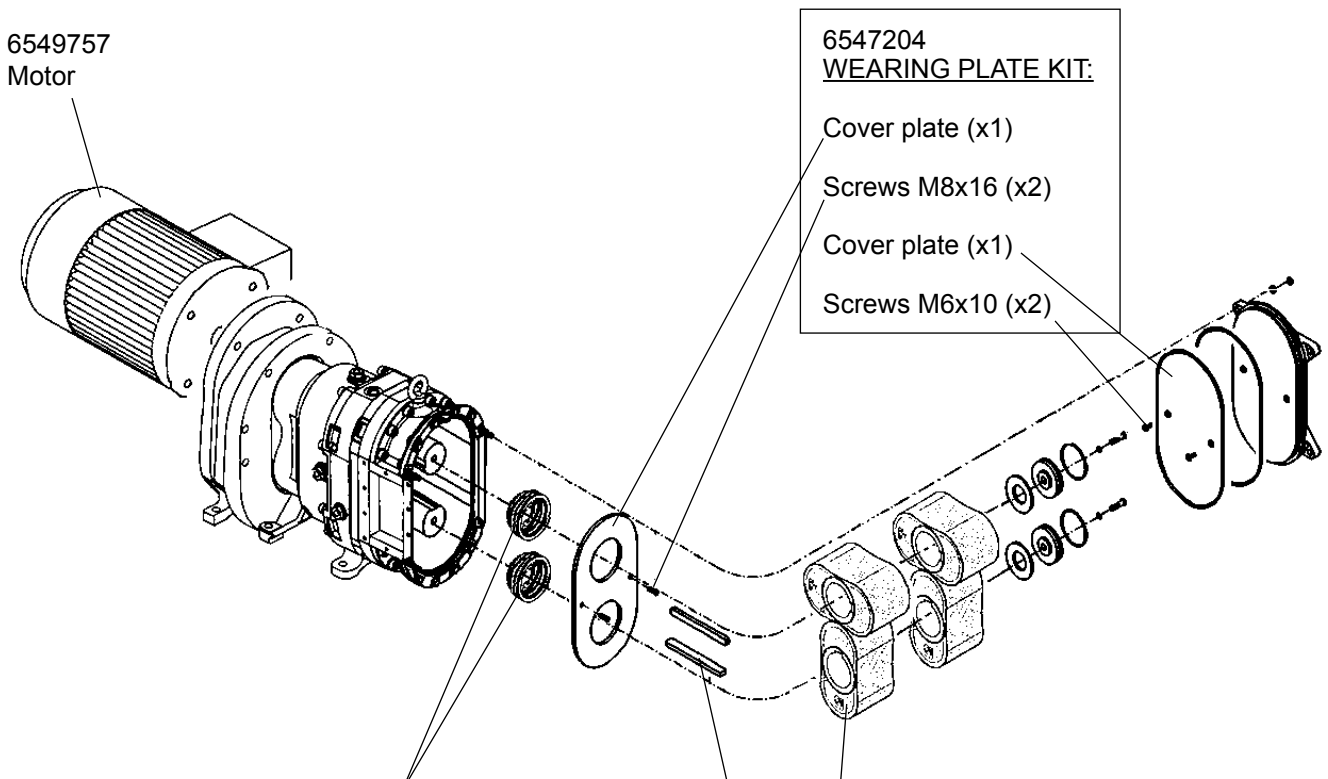
6543774 EVAC ONLINE PUMP F60, 400/440 V 50/60 Hz (not sold as a single item)

6543774 is replaced by P/N 6546545 (for Evac OnlineMax P/N 6543805 and P/N 6544239)



6543775 EVAC ONLINE PUMP F30, 400/440 V 50/60 Hz



6545640 EVAC ONLINE PUMP FX30, 400/690 V 50 Hz, 460 V 60 Hz


6547203
CARTRIDGE MECHANICAL SEAL KIT:
 Cartridge mechanical seal (x2)
 Screw M10x70 (x2)
 Plug 3 mm (x2)
 O-ring 188x4 (x1)
 O-ring 50x3 (x2)
 O-ring 16x2 (x2)

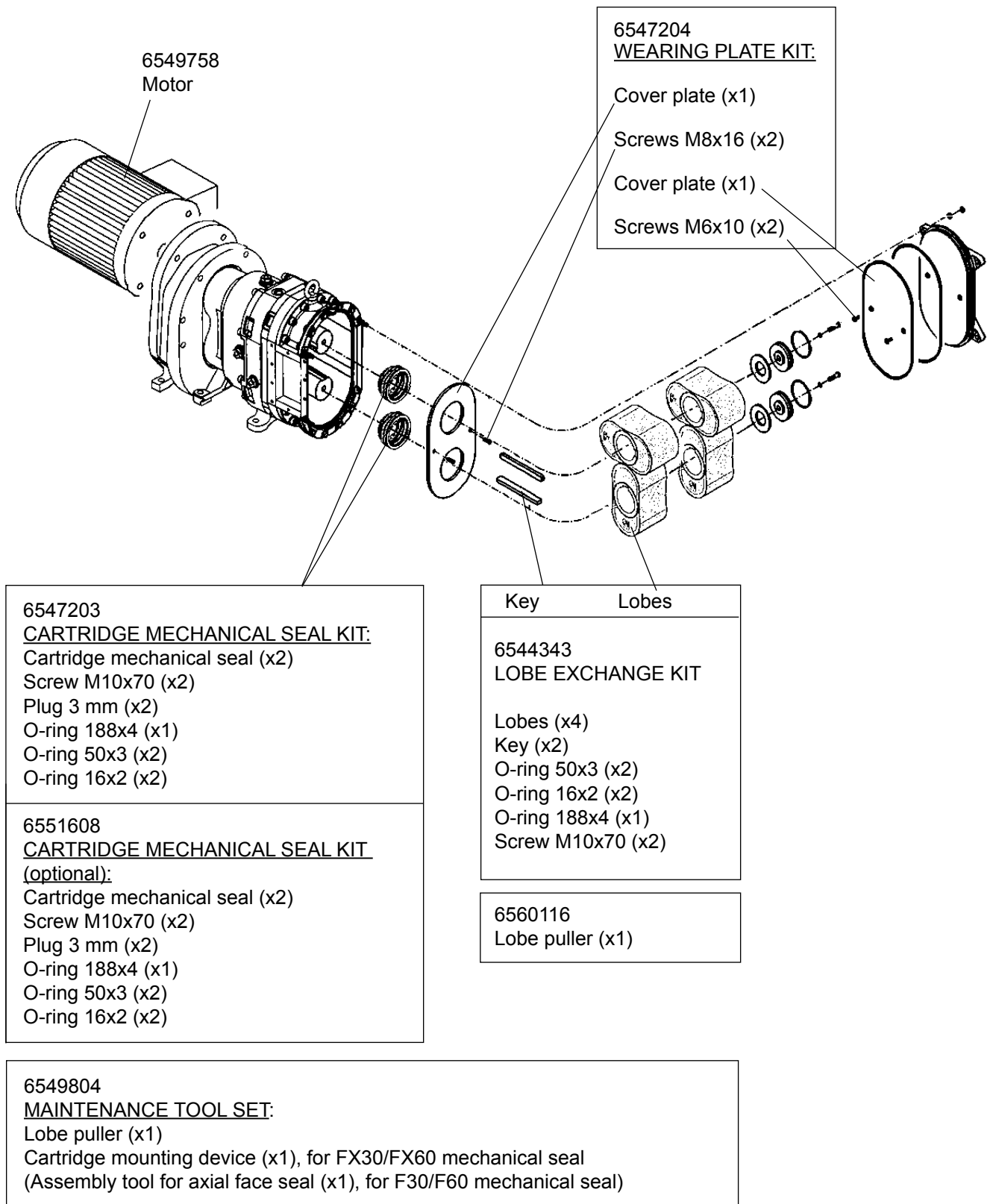
6551608
CARTRIDGE MECHANICAL SEAL KIT
(optional):
 Cartridge mechanical seal (x2)
 Screw M10x70 (x2)
 Plug 3 mm (x2)
 O-ring 188x4 (x1)
 O-ring 50x3 (x2)
 O-ring 16x2 (x2)

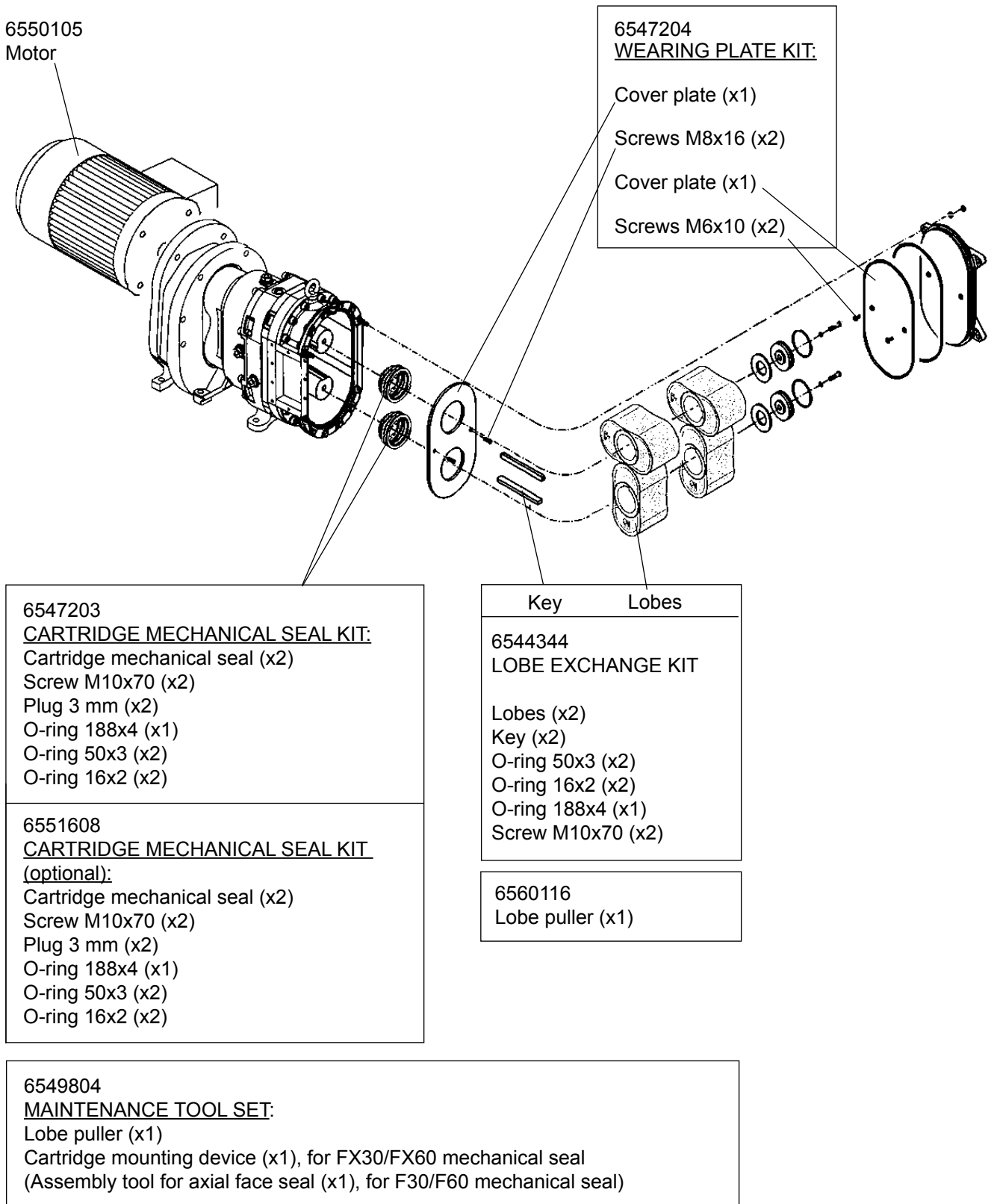
Key	Lobes
6544344	
LOBE EXCHANGE KIT	
Lobes (x2)	
Key (x2)	
O-ring 50x3 (x2)	
O-ring 16x2 (x2)	
O-ring 188x4 (x1)	
Screw M10x70 (x2)	

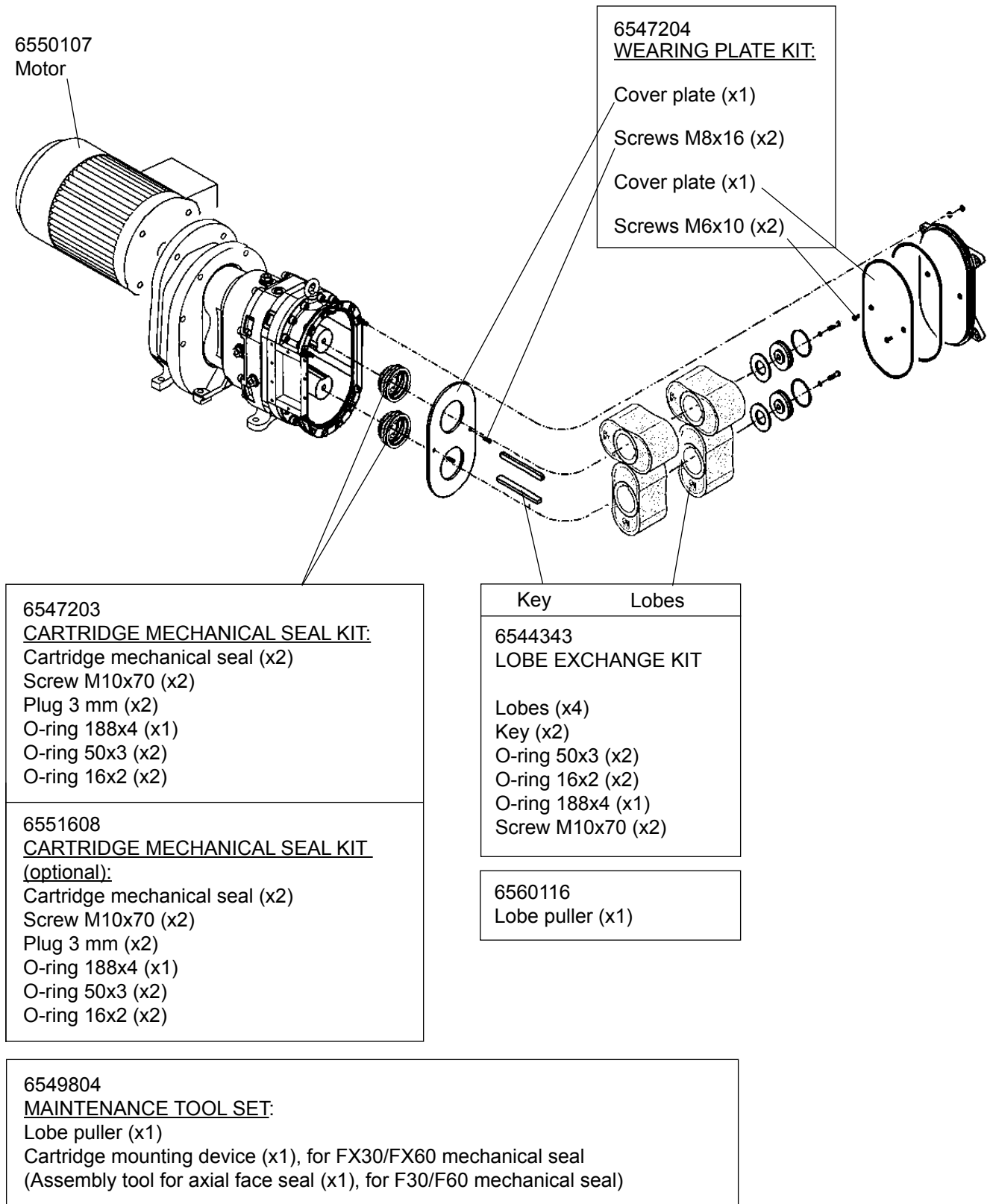
6560116
 Lobe puller (x1)

6549804
MAINTENANCE TOOL SET:
 Lobe puller (x1)
 Cartridge mounting device (x1) for FX30/FX60 mechanical seal
 (Assembly tool for axial face seal (x1) for F30/F60 for the mechanical seal)

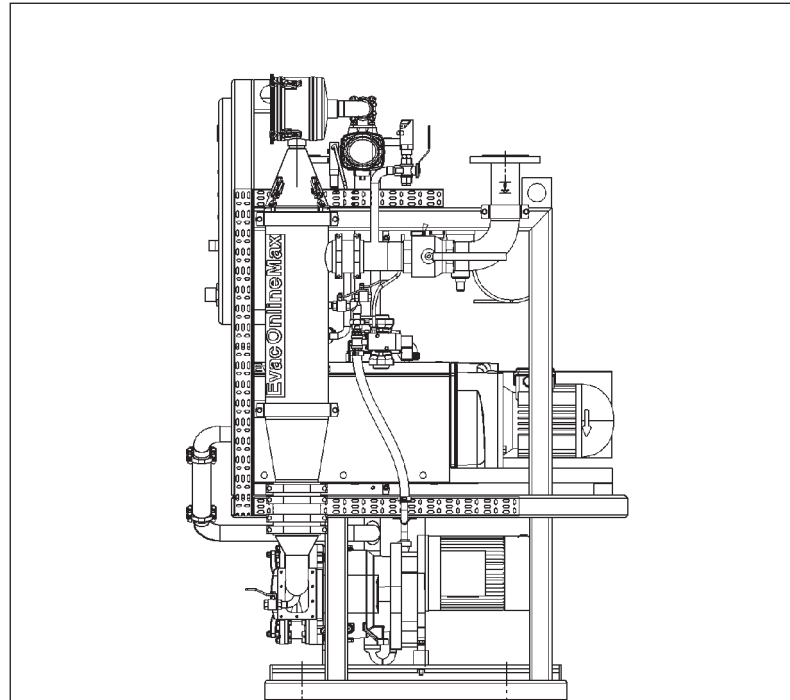
6545641 EVAC ONLINE PUMP FX60, 400/690 V 50 Hz, 460 V 60 Hz



6550104 EVAC ONLINE PUMP FX30, 690 V 60 Hz


6550106 EVAC ONLINE PUMP FX60, 690 V 60 Hz


EVAC ONLINEMAX



[Spare parts](#)

[Replacing products](#)

EVAC ONLINEMAX

6545670 EVAC ONLINEMAX 100, 400/440 V 50/60 Hz, 690 V 50 Hz

6545671 EVAC ONLINEMAX 100, 690 V 60 Hz

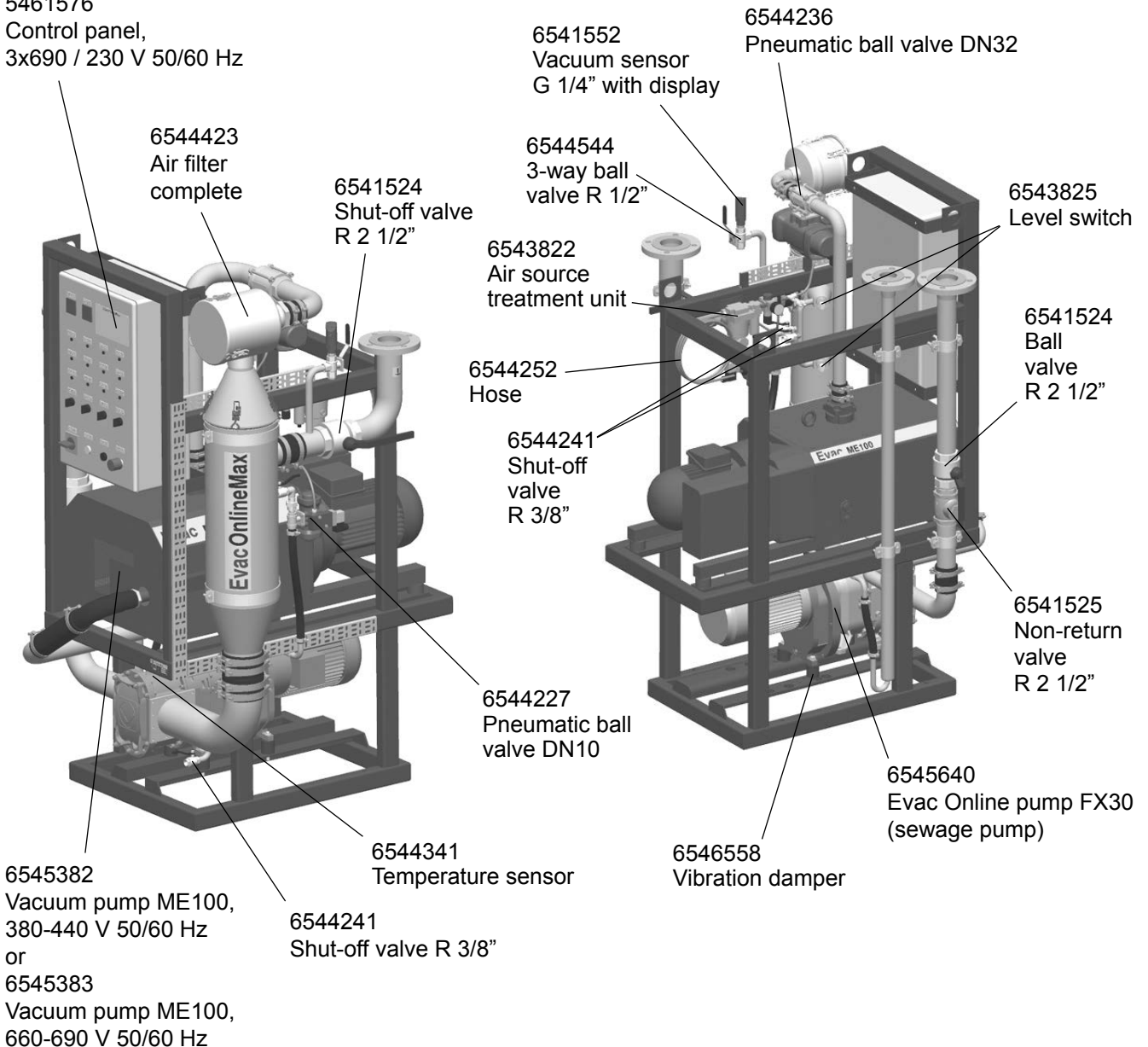
5461575

Control panel,
3x380-480 / 230 V 50/60 Hz

or

5461576

Control panel,
3x690 / 230 V 50/60 Hz



EVAC ONLINEMAX

6543805 EVAC ONLINEMAX 175, 400/440 V 50/60 Hz, 690 V 50 Hz

6544239 EVAC ONLINEMAX 175, 690 V 60 Hz

P/N 6543774 is replaced by P/N 6546545

5461514

Control panel,
3x380-480 / 230 V 50/60 Hz

or

5461515

Control panel,
3x690 / 230 V 50/60 Hz

6544423
Air filter
complete

6541524
Shut-off valve
R 2 1/2"

6544236
Isolation valve DN32

6541552
Vacuum sensor
with display

6544544
3-way valve R 1/2"

6543825
Level switch

6543822
Air source
treatment unit

6544241
Shut-off
valve
R 3/8"

6544241
Shut-off valve
R 3/8"

6541524
Shut-off
valve
R 2 1/2"

6544252
Hose

6541525
Non-return
valve
R 2 1/2"

6544227
Pneumatic ball
valve DN10

6543774
Evac Online pump F60
(sewage pump)

6543980
Vacuum pump ME175,
660-690 V 50/60 Hz
or
6543361

6544341
Temperature sensor

6544241
Shut-off valve R 3/8"

6541784
Vibration damper
(in P/N 6543805)
or
6546558
Vibration damper
(in P/N 6544239)

Vacuum pump ME175,
380-440 V 50/60 Hz

EVAC ONLINEMAX

6545672 EVAC ONLINEMAX 175, 400/440 V 50/60 Hz, 690 V 50 Hz

6545673 EVAC ONLINEMAX 175, 690 V 60 Hz

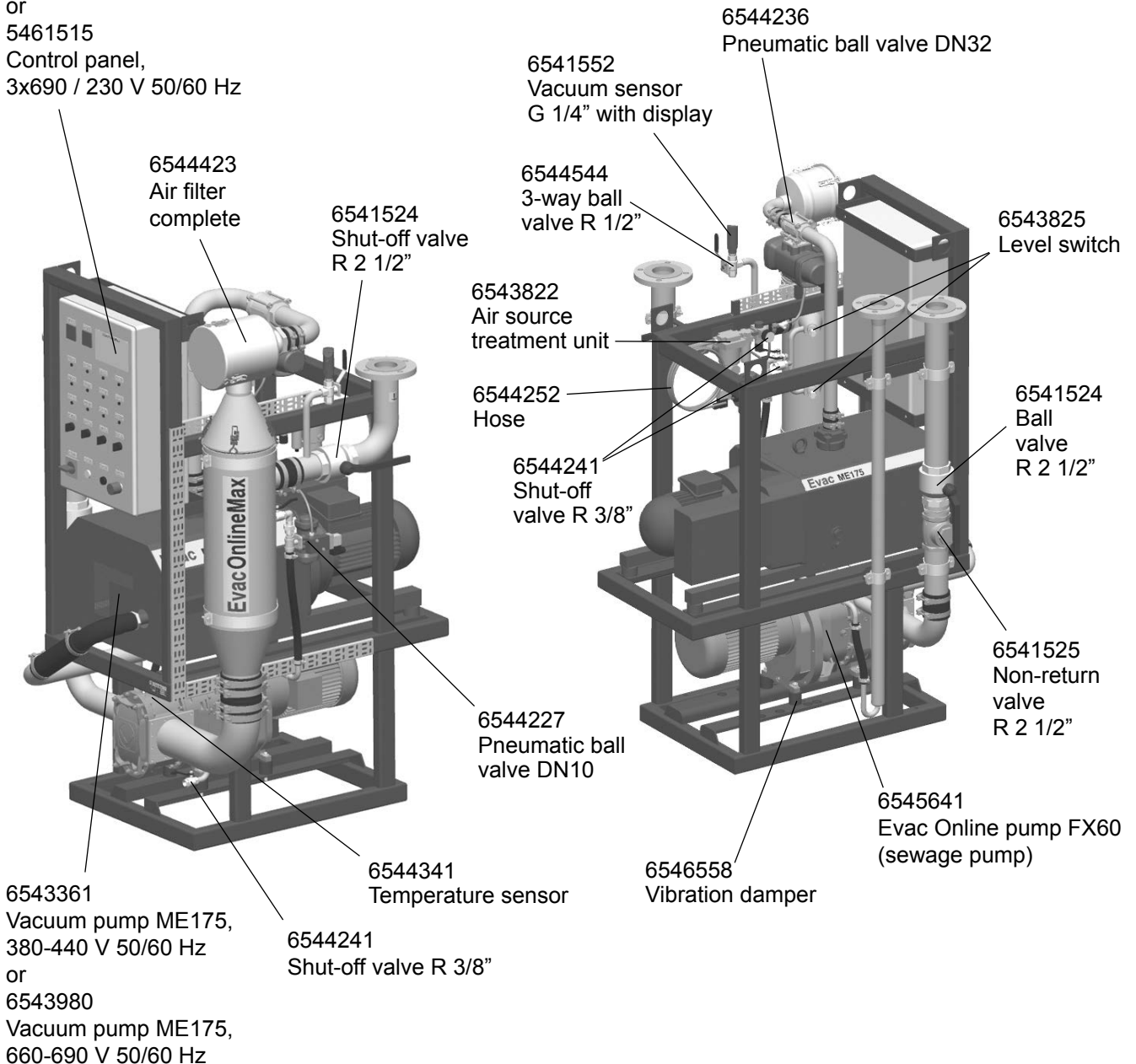
5461514

Control panel,
3x380-480 / 230 V 50/60 Hz

or

5461515

Control panel,
3x690 / 230 V 50/60 Hz



EVAC ONLINEMAX

6545674 EVAC ONLINEMAX 240, 400/440 V 50/60 Hz, 690 V 50 Hz

6545675 EVAC ONLINEMAX 240, 690 V 60 Hz

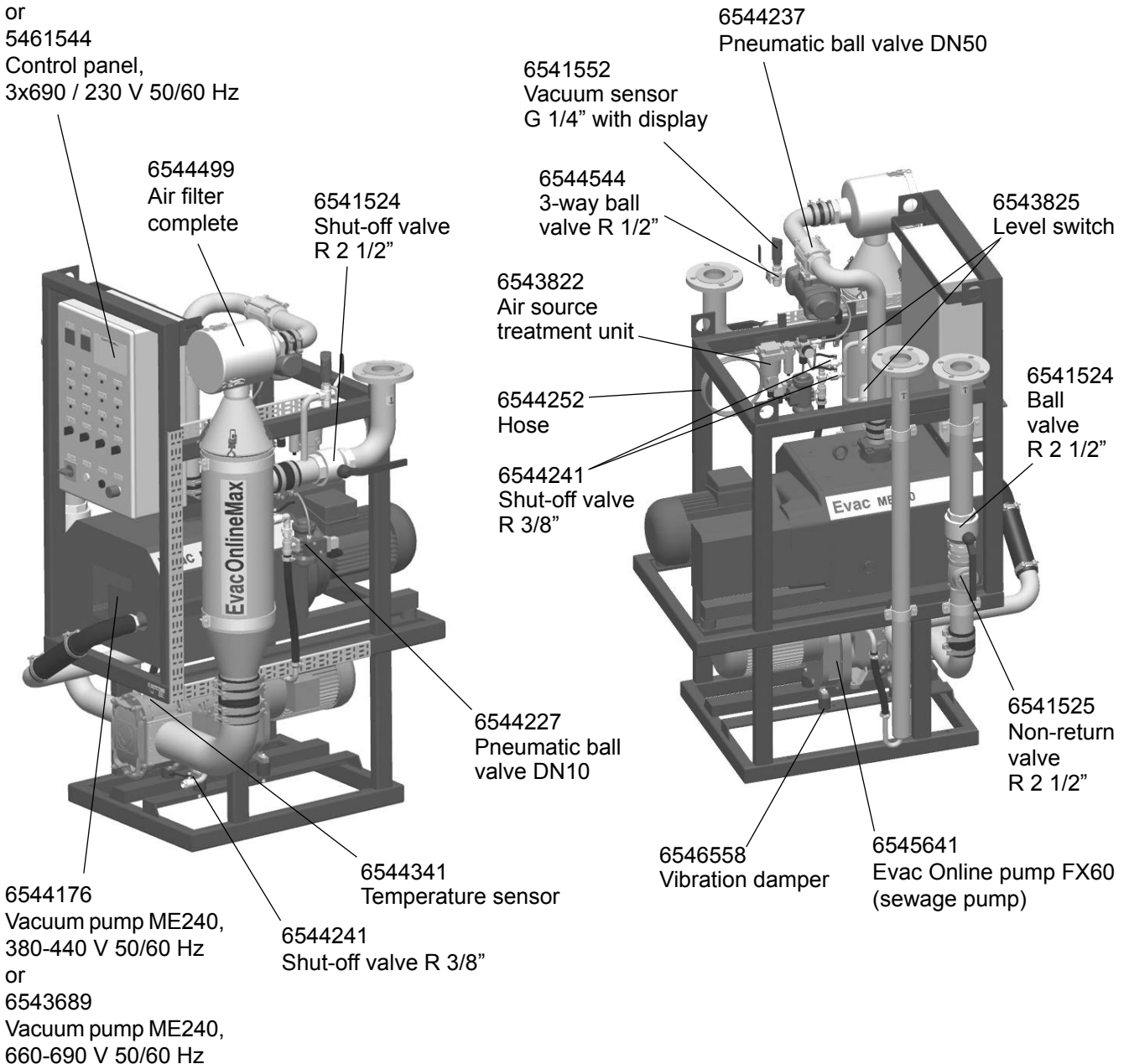
5461543

Control panel,
3x380-480 /230 V 50/60 Hz

or

5461544

Control panel,
3x690 / 230 V 50/60 Hz



EVAC ONLINEMAX

6549433 EVAC ONLINEMAX 100

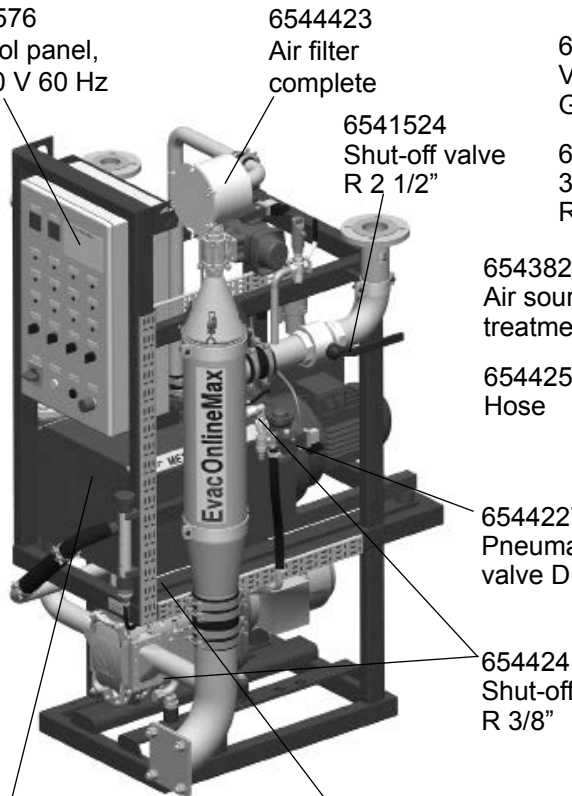
5461575

Control panel,
3x380-420V/690 V 50 Hz, 440-480 V 60 Hz

or

5461576

Control panel,
3x690 V 60 Hz



6550395

Vacuum pump ME100
380-420/690 V 50 Hz

or

6550396

Vacuum pump ME100
440-480 V 60 Hz

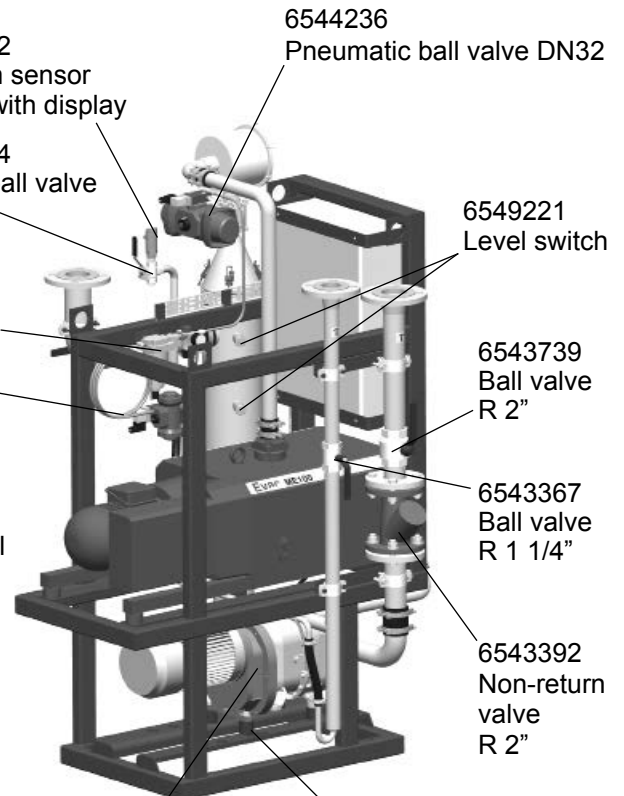
or

6550397

Vacuum pump ME100
690 V 60 Hz

6541552 Vacuum sensor
G 1/4" with display

6544544 3-way ball valve
R 1/2"



6545640

Evac Online pump FX30
(sewage pump)
380-420/690 V 50 Hz, 440-480 60 Hz

or

6550104

Evac Online pump FX30
(sewage pump)
690 V 60 Hz

EVAC ONLINEMAX

6549435 EVAC ONLINEMAX 175

5461514

Control panel,
3x380-420 V 50 Hz, 440-480 V 60 Hz
or

5461515

Control panel,
3x690 V 60 Hz

6544499
Air filter
complete

6541524
Shut-off valve
R 2 1/2"

6541552
Vacuum sensor
G 1/4" with display

6544544
3-way ball valve
R 1/2"

6544236
Pneumatic ball valve DN32

6543822
Air source
treatment unit

6549221
Level switch

6541524
Ball valve
R 2 1/2"

6544252
Hose

6544227
Pneumatic ball
valve DN10

6543367
Ball valve
R 1 1/4"

6543393
Non-return
valve
R 2 1/2"

6544241
Shut-off valve R 3/8"

6546558
Vibration damper

6550398

Vacuum pump ME175
380-420/690 V 50 Hz
or

6550399

Vacuum pump ME175
440-480 V 60 Hz
or

6550400

Vacuum pump ME175
690 V 60 Hz

6544341
Temperature sensor

6545641
Evac Online pump FX60
(sewage pump)
380-420/690 V 50 Hz, 440-480 V 60 Hz
or

6550106
Evac Online pump FX60
(sewage pump)
690 V 60 Hz

EVAC ONLINEMAX

6549437 EVAC ONLINEMAX 240

5461543

Control panel
3x380-420/690 V 50 Hz, 440-480 V 60 Hz
or

5461544

Control panel
3x690 V 60 Hz

6544499
Air filter
complete

6541524
Shut-off valve
R 2 1/2"

6541552
Vacuum sensor
G 1/4" with display

6544237
Pneumatic ball valve DN50

6544544
3-way ball valve
R 1/2"

6543822
Air source
treatment unit

6549221
Level switch

6544252
Hose

6541524
Ball
valve
R 2 1/2"

6544227
Pneumatic ball
valve DN10

6543739
Ball valve
R 2"

6544241
Shut-off valve
R 3/8"

6543393
Non-return
valve
R 2 1/2"

6546558
Vibration damper

6550401

Vacuum pump ME240
380-420/690 V 50 Hz

or

6550402

Vacuum pump ME240
440-680 V 60 Hz

or

6550225

Vacuum pump ME240
690 V 60 Hz

6544341
Temperature sensor

6545641

Evac Online pump FX60
(sewage pump)
380-420/690 V 50 Hz, 440-480 V 60 Hz

or

6550106

Evac Online pump FX60
(sewage pump)
690 V 60 Hz

EVAC ONLINEMAX

6549439 EVAC ONLINEMAX 300

5461543

Control panel,
3x380-420/690 V 50 Hz, 440-480 V 60 Hz
or

5461544

Control panel,
3x690 V 60 Hz

6544499
Air filter complete

6541552
Vacuum sensor
G 1/4"

6544237
Pneumatic ball valve DN50

6541524
Shut-off valve
R 2 1/2"

6544544
3-way ball valve
R 1/2"

6543822
Air source
treatment unit

6549221
Level switch

6544252
Hose

6541524
Ball valve
R 2 1/2"

6544241
Shut-off
valve R 3/8"

6543739
Ball valve
R 2"

6543393
Non-return
valve
R 2 1/2"

6544227
Pneumatic ball valve
DN10

6546558
Vibration damper

6550403
Vacuum pump ME300
380-420/690 V 50 Hz
or

6550404
Vacuum pump ME300
440-480 V 60 Hz
or

6550405
Vacuum pump ME300
690 V 60 Hz

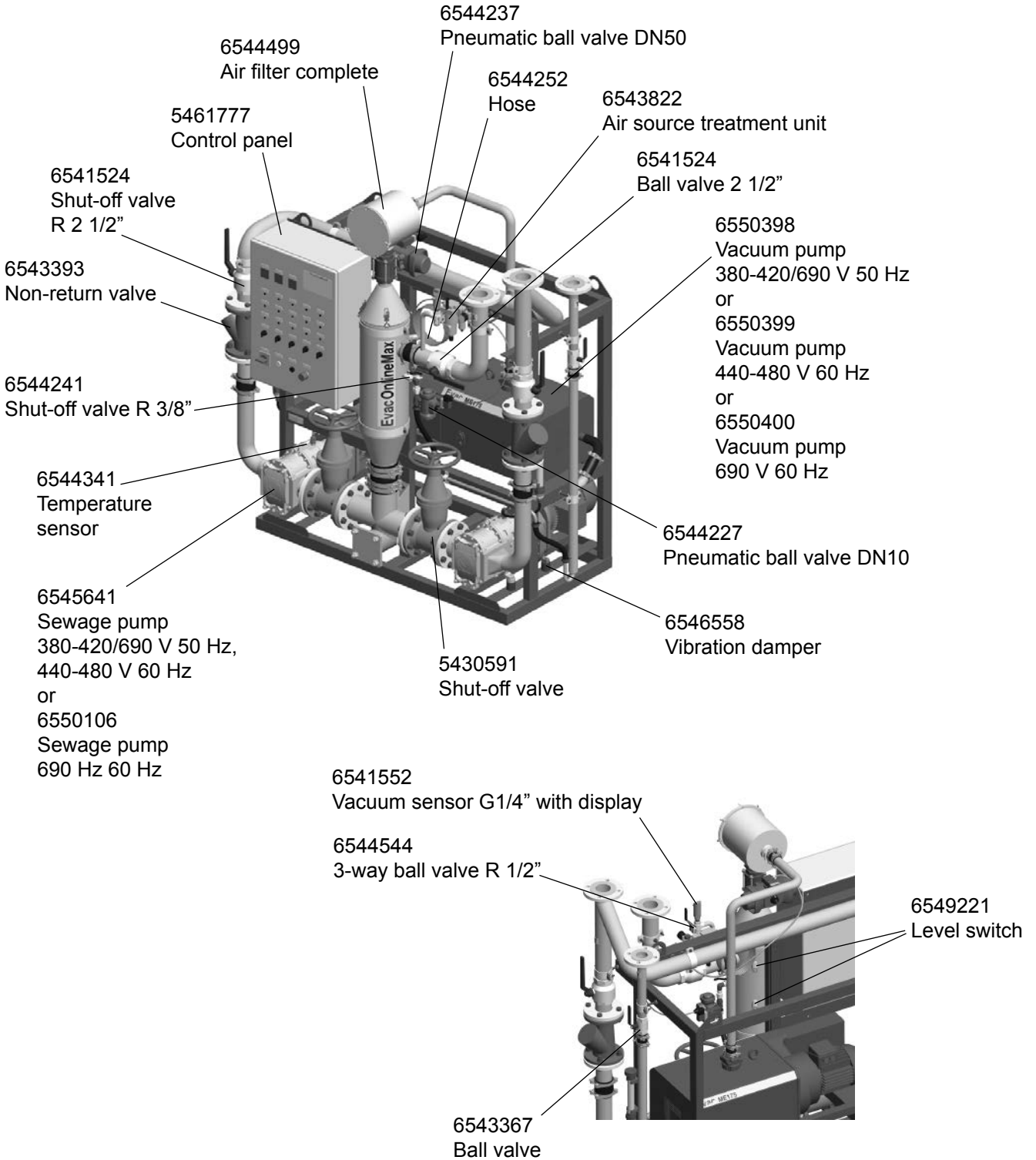
6544341
Temperature sensor

6545641
Evac Online pump FX60
(sewage pump)
380-420/690 V 50 Hz, 440-480 V 60 Hz
or

6550106
Evac Online pump FX60
(sewage pump)
690 V 60 Hz

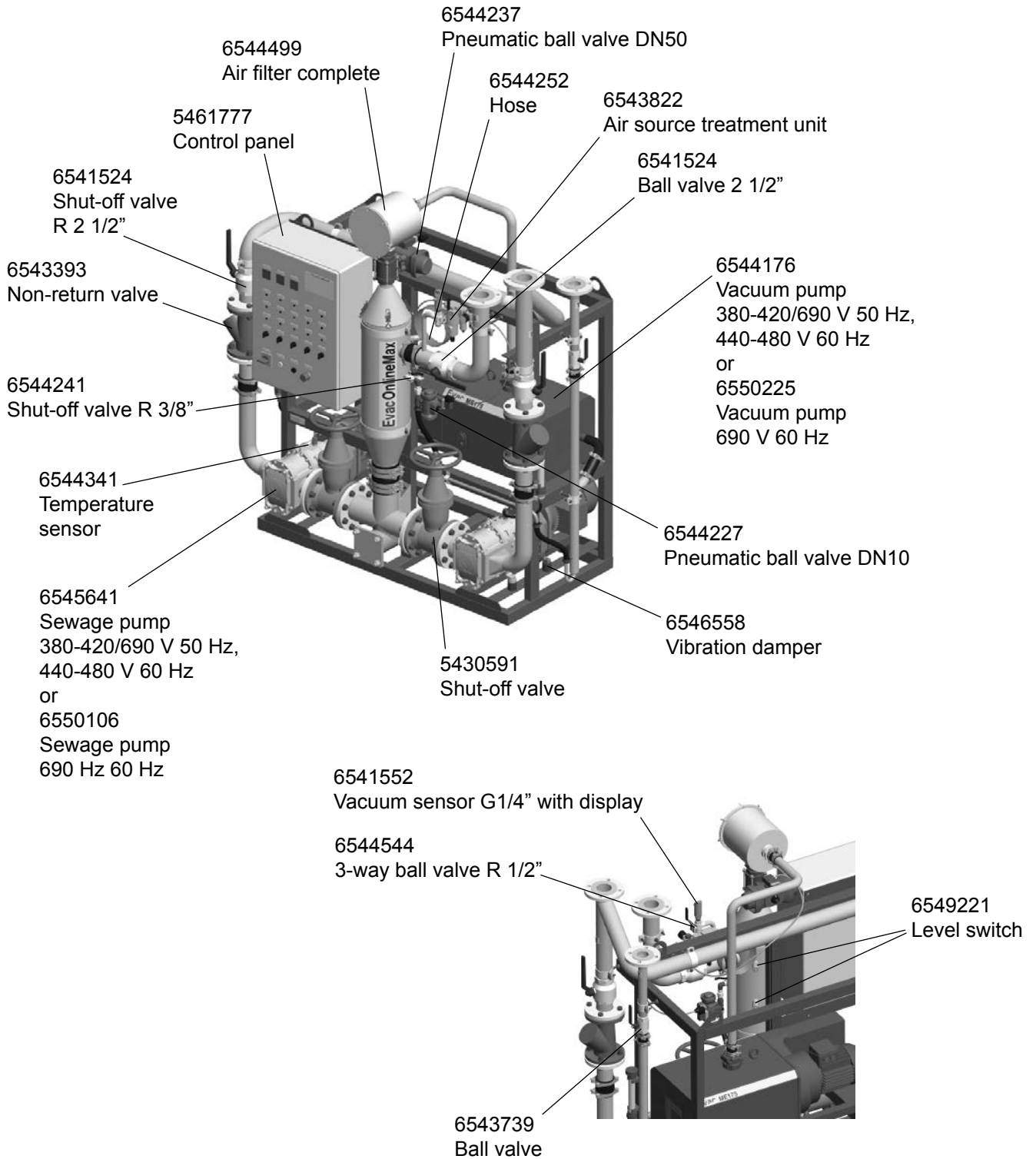
EVAC ONLINEMAX

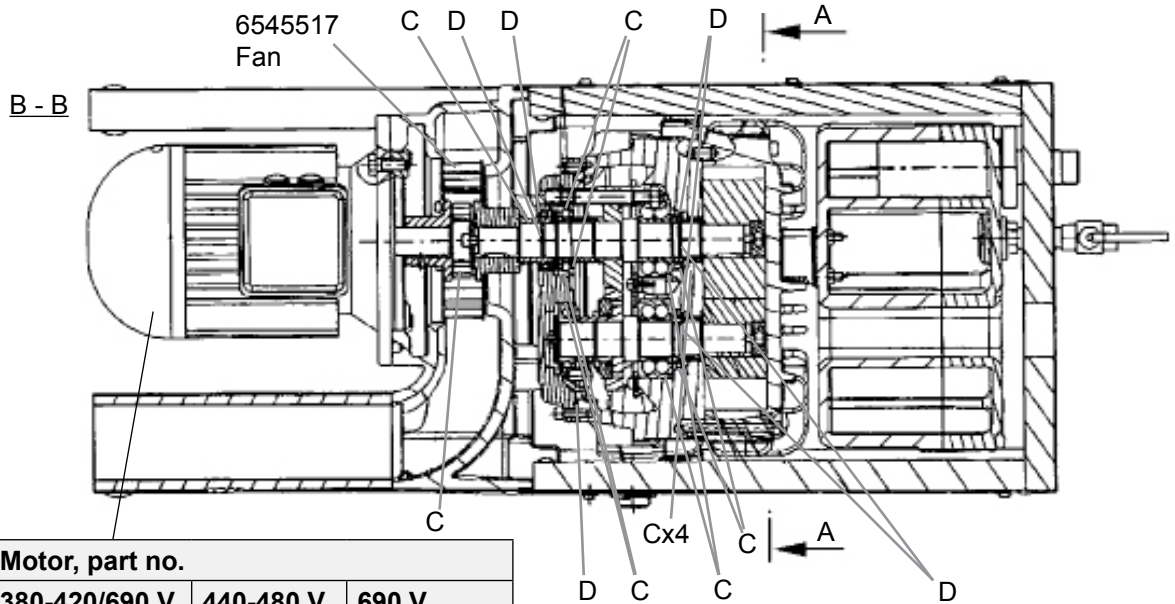
6551088 EVAC ONLINEMAX 175 DF



EVAC ONLINEMAX

6552213 EVAC ONLINEMAX 240 DF



6545382 VACUUM PUMP ME100, 380-460 V 50/60 Hz


Vacuum pump	Motor, part no.		
	380-420/690 V 50 Hz	440-480 V 60 Hz	690 V 60 Hz
ME100	6550331	6550332	6550333

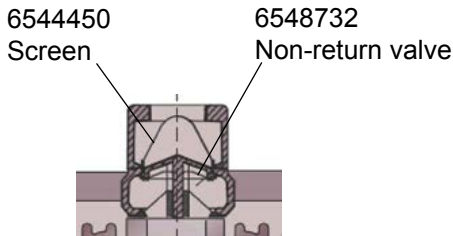
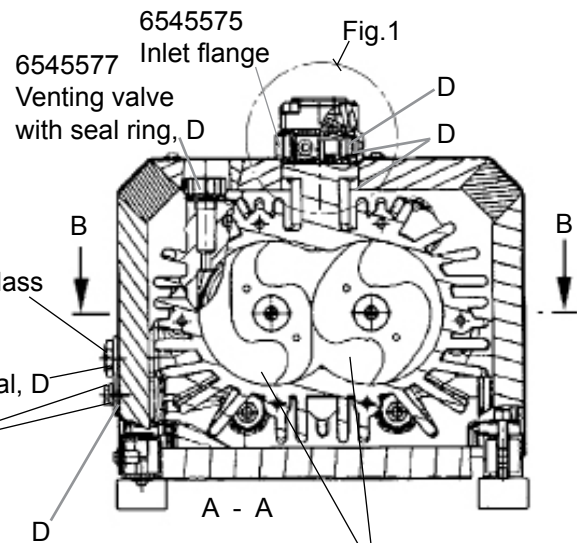
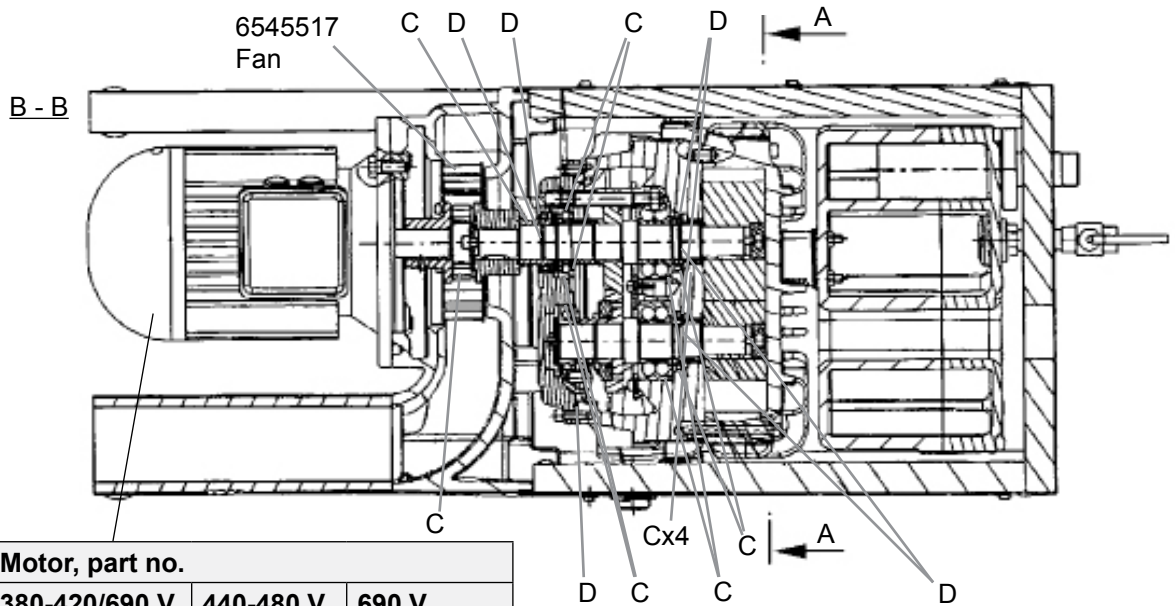


Fig.1

6544452 SEALING SET (mark D)	6544451 OVERHAUL KIT (includes sealing set, mark D and other parts, mark C)
Seal 45-60-8 (x3)	Double row ball bearing (x1)
Seal 26x31x2 (x1)	Ball bearing (x1)
O-ring 30x2 (x3)	O-ring (x1)
O-ring 19x2 (x1)	Collar (x1)
O-ring 44x3 (x1)	Piston ring (x1)
O-ring 65x3 (x2)	Retaining sleeve (x2)
Oil sight glass seal (x1)	Gear rim (x1)
Venting valve R 1/2" with seal ring (x1)	Sealing set (x1)

! NOTE:

When ordering spare parts please always quote the type and the serial no. of the vacuum pump.

6545383 VACUUM PUMP ME100, 660-690 V 50/60 HZ


Vacuum pump	Motor, part no.		
	380-420/690 V 50 Hz	440-480 V 60 Hz	690 V 60 Hz
ME100	6550331	6550332	6550333

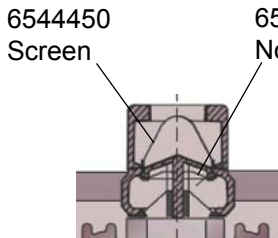
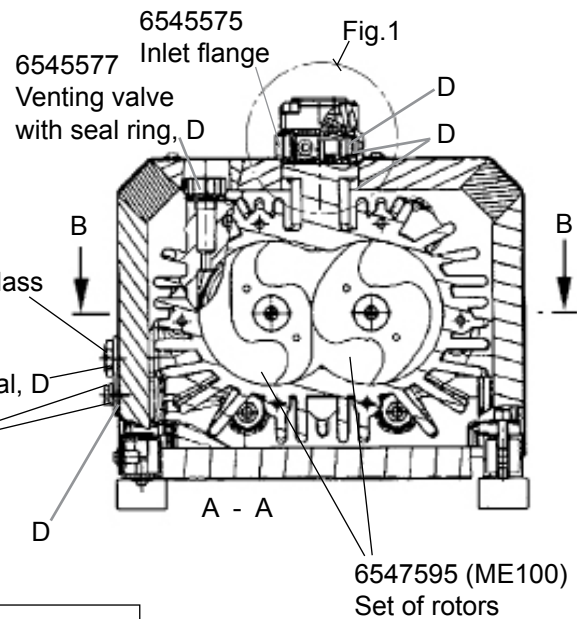


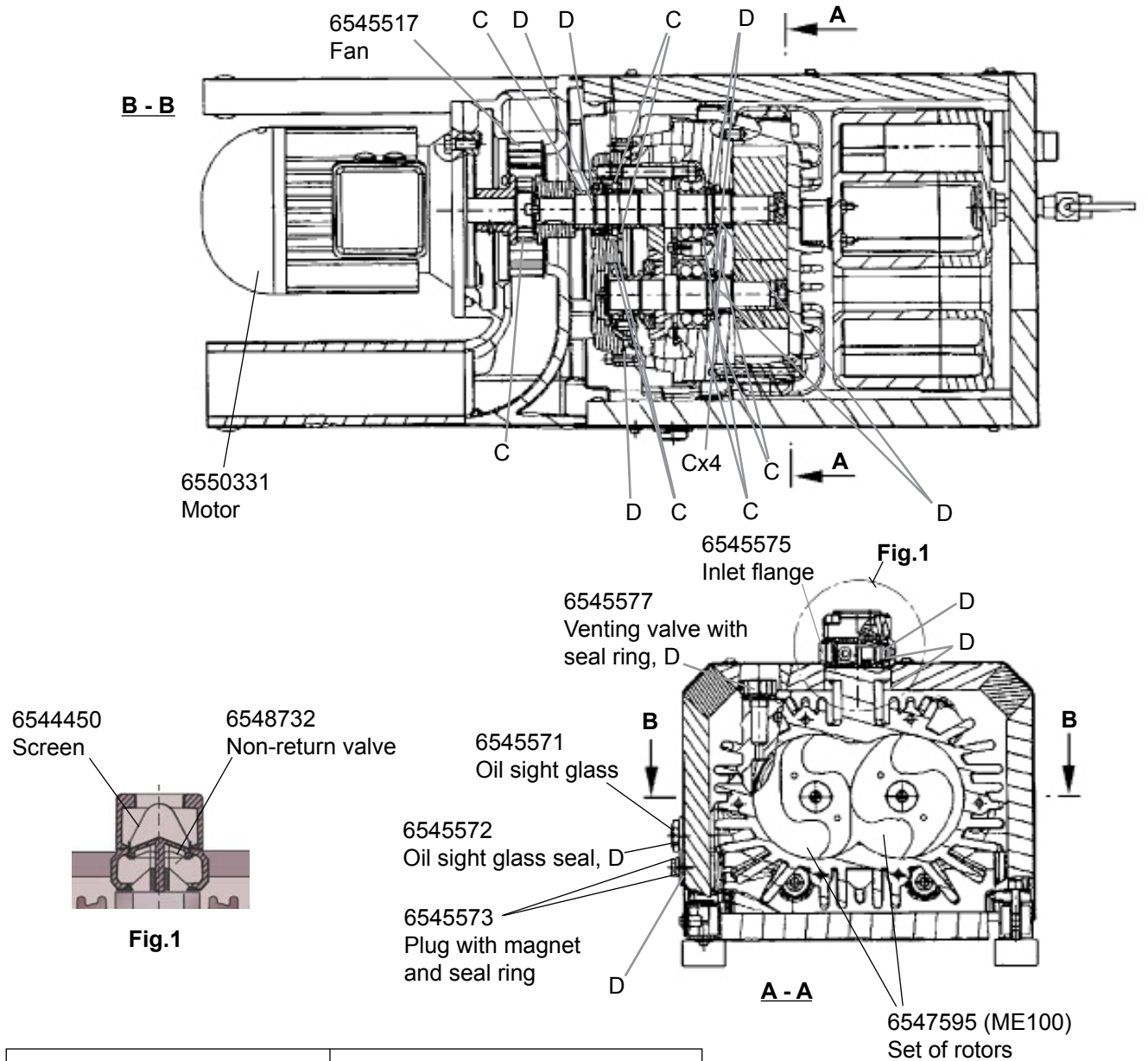
Fig.1

6544452 SEALING SET (mark D)	6544451 OVERHAUL KIT (includes sealing set, mark D and other parts, mark C)
Seal 45-60-8 (x3)	Double row ball bearing (x1)
Seal 26x31x2 (x1)	Ball bearing (x1)
O-ring 30x2 (x3)	O-ring (x1)
O-ring 19x2 (x1)	Collar (x1)
O-ring 44x3 (x1)	Piston ring (x1)
O-ring 65x3 (x2)	Retaining sleeve (x2)
Oil sight glass seal (x1)	Gear rim (x1)
Venting valve R 1/2" with seal ring (x1)	Sealing set (x1)

! NOTE:

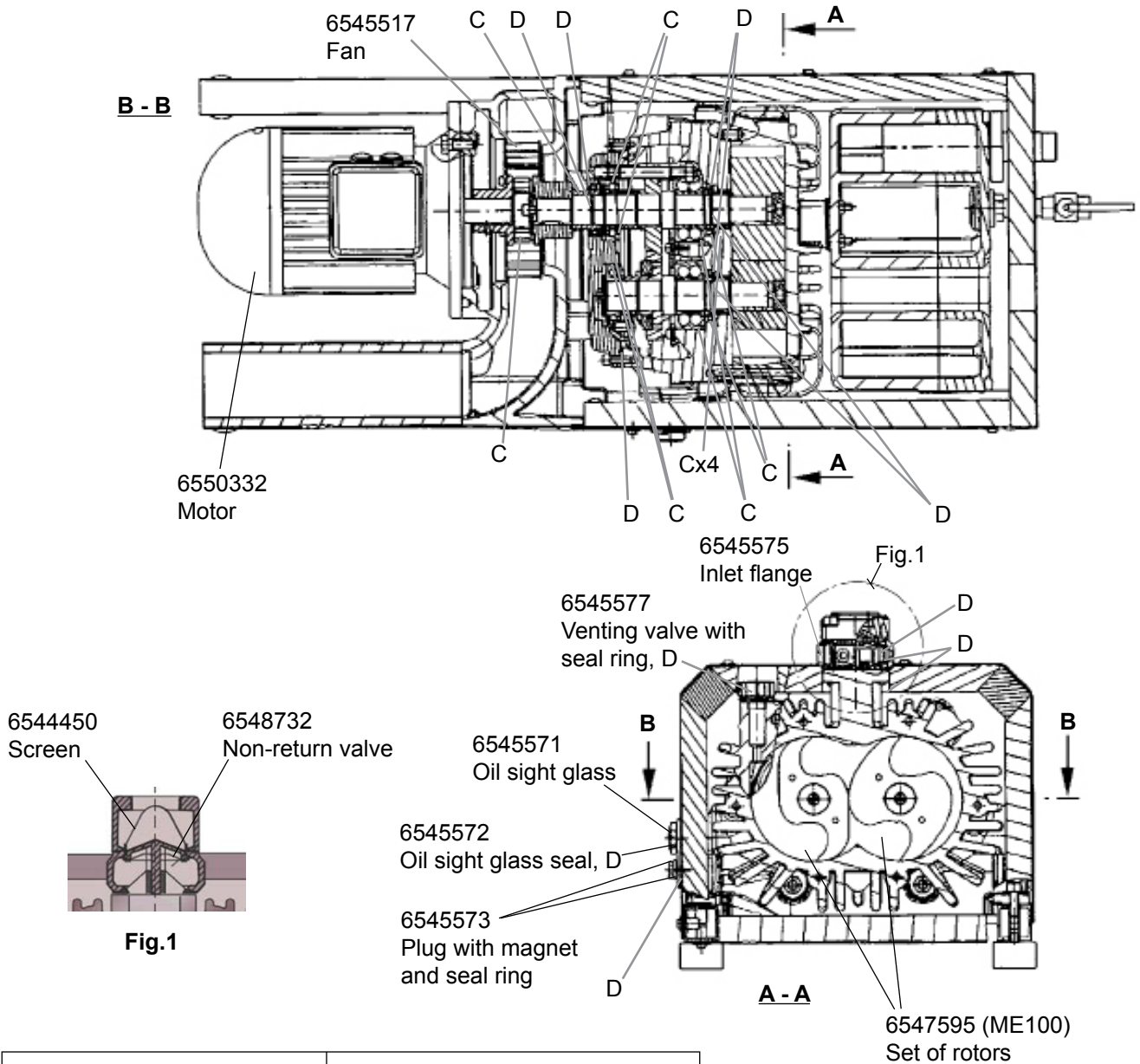
When ordering spare parts please always quote the type and the serial no. of the vacuum pump.

6550395 VACUUM PUMP ME100, 380-420/690 V 50 Hz



6544452 SEALING SET (mark D)		6544451 OVERHAUL KIT (includes sealing set, mark D and other parts, mark C)
Seal 45-60-8	(x3)	Double row ball bearing (x1)
Seal 26x31x2	(x1)	Ball bearing (x1)
O-ring 30x2	(x3)	O-ring (x1)
O-ring 19x2	(x1)	Collar (x1)
O-ring 44x3	(x1)	Piston ring (x1)
O-ring 65x3	(x2)	Retaining sleeve (x2)
Oil sight glass seal	(x1)	Gear rim (x1)
Venting valve R 1/2" with seal ring	(x1)	Sealing set (x1)

! NOTE:
 When ordering spare parts please always
 quote the type and the serial no. of the
 vacuum pump.

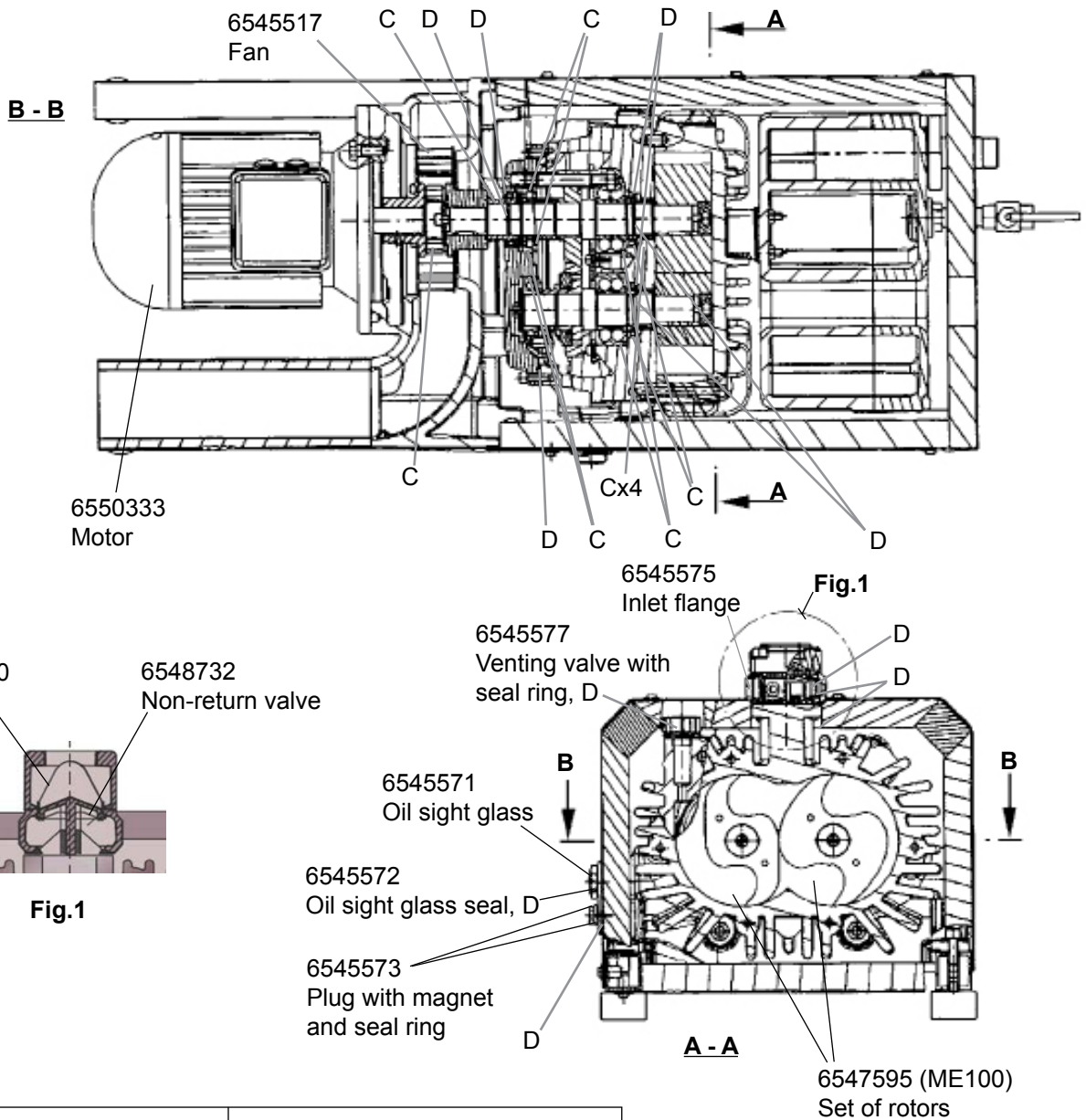
6550396 VACUUM PUMP ME100, 440-480 V 60 Hz


6544452 SEALING SET (mark D)		6544451 OVERHAUL KIT (includes sealing set, mark D and other parts, mark C)
Seal 45-60-8	(x3)	Double row ball bearing (x1)
Seal 26x31x2	(x1)	Ball bearing (x1)
O-ring 30x2	(x3)	O-ring (x1)
O-ring 19x2	(x1)	Collar (x1)
O-ring 44x3	(x1)	Piston ring (x1)
O-ring 65x3	(x2)	Retaining sleeve (x2)
Oil sight glass seal	(x1)	Gear rim (x1)
Venting valve R 1/2" with seal ring	(x1)	Sealing set (x1)

! NOTE:

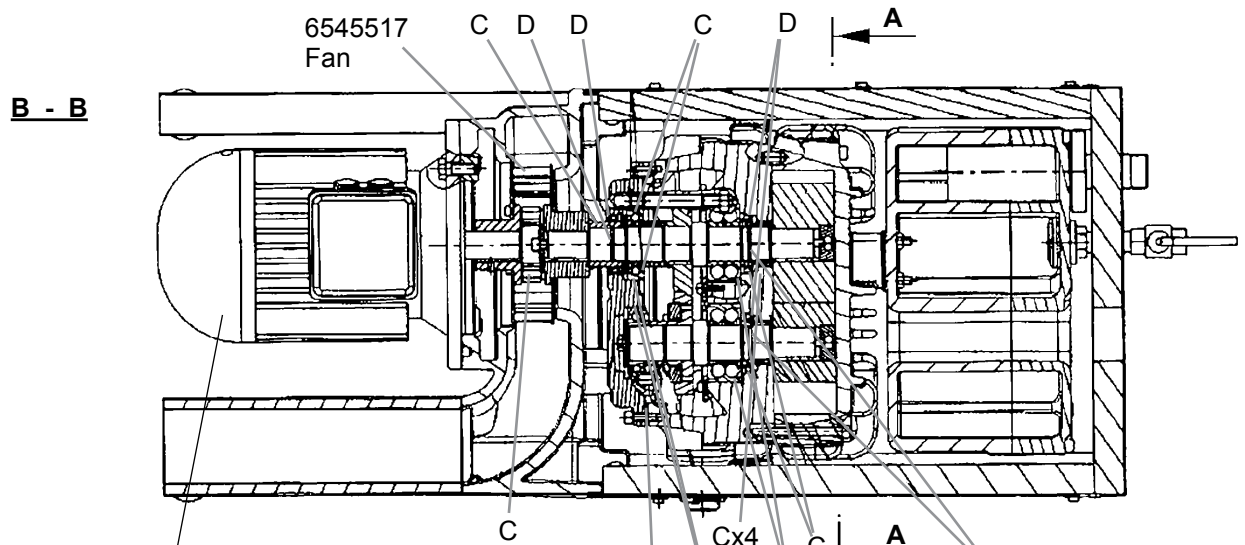
When ordering spare parts please always quote the type and the serial no. of the vacuum pump.

6550397 VACUUM PUMP ME100, 690 V 60 Hz

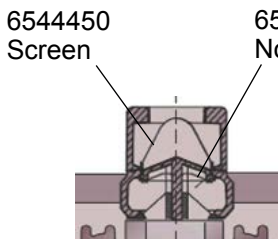
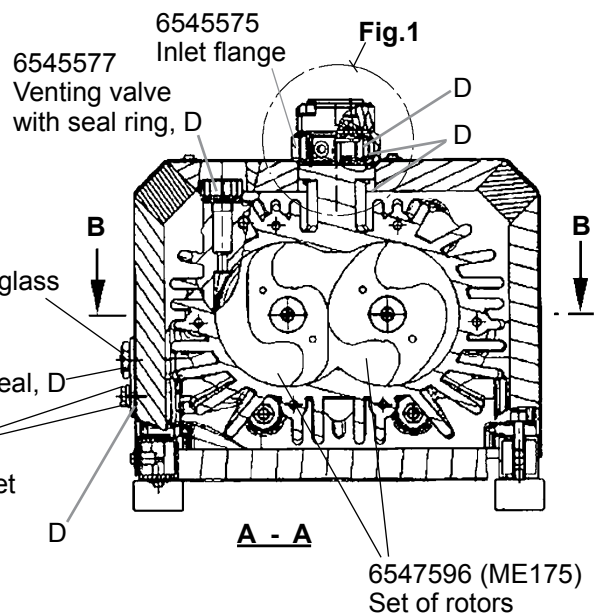


6544452 SEALING SET (mark D)		6544451 OVERHAUL KIT (includes sealing set, mark D and other parts, mark C)
Seal 45-60-8	(x3)	Double row ball bearing (x1)
Seal 26x31x2	(x1)	Ball bearing (x1)
O-ring 30x2	(x3)	O-ring (x1)
O-ring 19x2	(x1)	Collar (x1)
O-ring 44x3	(x1)	Piston ring (x1)
O-ring 65x3	(x2)	Retaining sleeve (x2)
Oil sight glass seal	(x1)	Gear rim (x1)
Venting valve R 1/2" with seal ring	(x1)	Sealing set (x1)

! NOTE:
 When ordering spare parts please always quote the type and the serial no. of the vacuum pump.

6543361 VACUUM PUMP ME175, 380-440 V 50/60 Hz


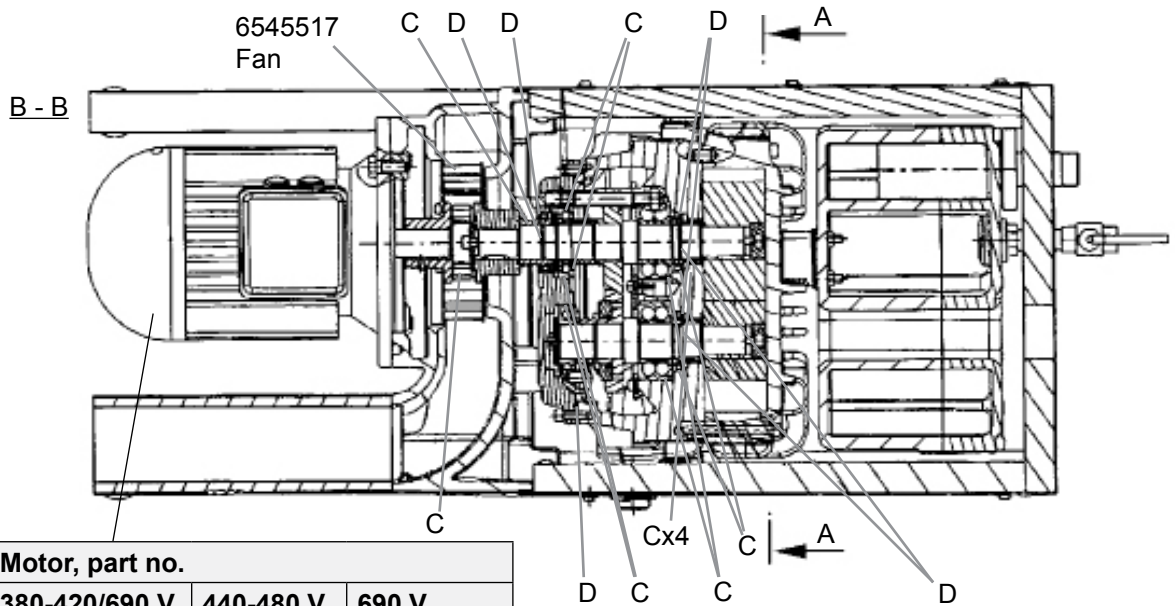
Vacuum pump	Motor, part no.		
	380-420/690 V 50 Hz	440-480 V 60 Hz	690 V 60 Hz
ME175	6550337	6550338	6550339


Fig.1

6544452 SEALING SET (mark D)		6544451 OVERHAUL KIT (includes sealing set, mark D and other parts, mark C)
Seal 45-60-8	(x3)	Double row ball bearing
Seal 26x31x2	(x1)	Ball bearing
O-ring 30x2	(x3)	O-ring
O-ring 19x2	(x1)	Collar
O-ring 44x3	(x1)	Piston ring
O-ring 65x3	(x2)	Retaining sleeve
Oil sight glass seal	(x1)	Gear rim
Venting valve R 1/2" with seal ring	(x1)	Sealing set

! NOTE:

When ordering spare parts please always quote the type and the serial no. of the vacuum pump.

6543980 VACUUM PUMP ME175, 660-690 V 50/60 HZ


Vacuum pump	Motor, part no.		
	380-420/690 V 50 Hz	440-480 V 60 Hz	690 V 60 Hz
ME175	6550337	6550338	6550339

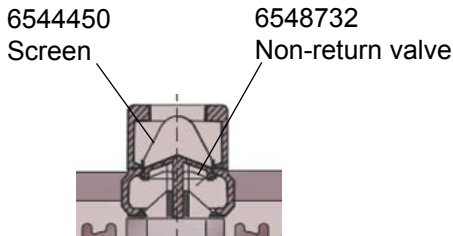
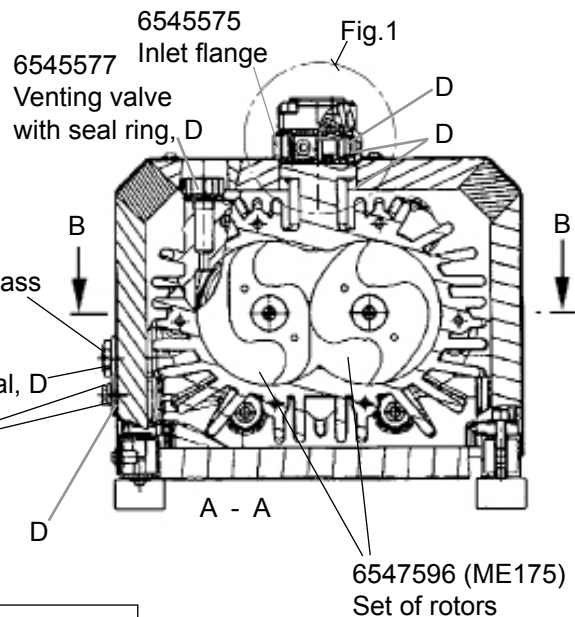


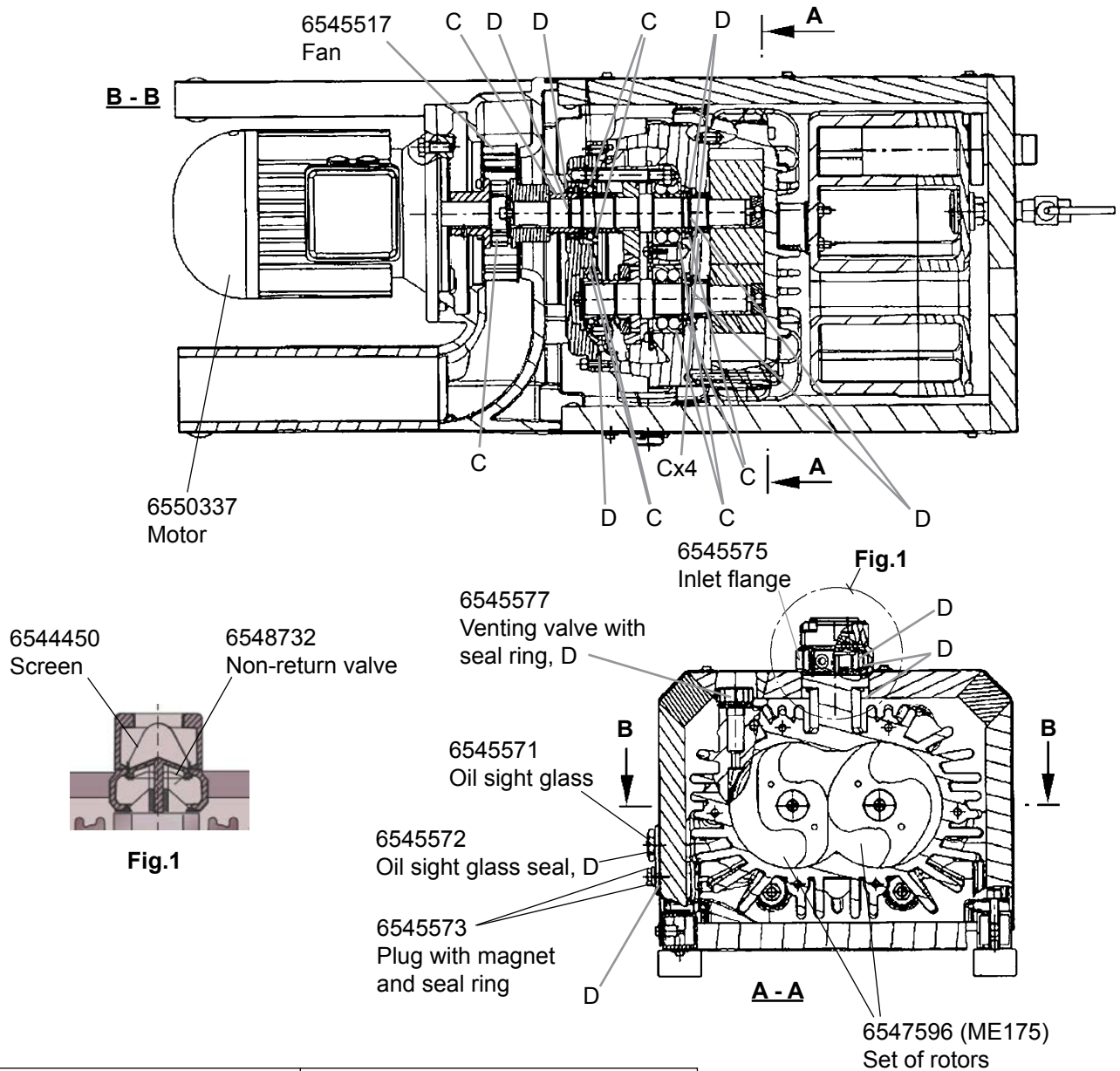
Fig.1

6544452 SEALING SET (mark D)	6544451 OVERHAUL KIT (includes sealing set, mark D and other parts, mark C)
Seal 45-60-8 (x3)	Double row ball bearing (x1)
Seal 26x31x2 (x1)	Ball bearing (x1)
O-ring 30x2 (x3)	O-ring (x1)
O-ring 19x2 (x1)	Collar (x1)
O-ring 44x3 (x1)	Piston ring (x1)
O-ring 65x3 (x2)	Retaining sleeve (x2)
Oil sight glass seal (x1)	Gear rim (x1)
Venting valve R 1/2" with seal ring (x1)	Sealing set (x1)

! NOTE:

When ordering spare parts please always quote the type and the serial no. of the vacuum pump.

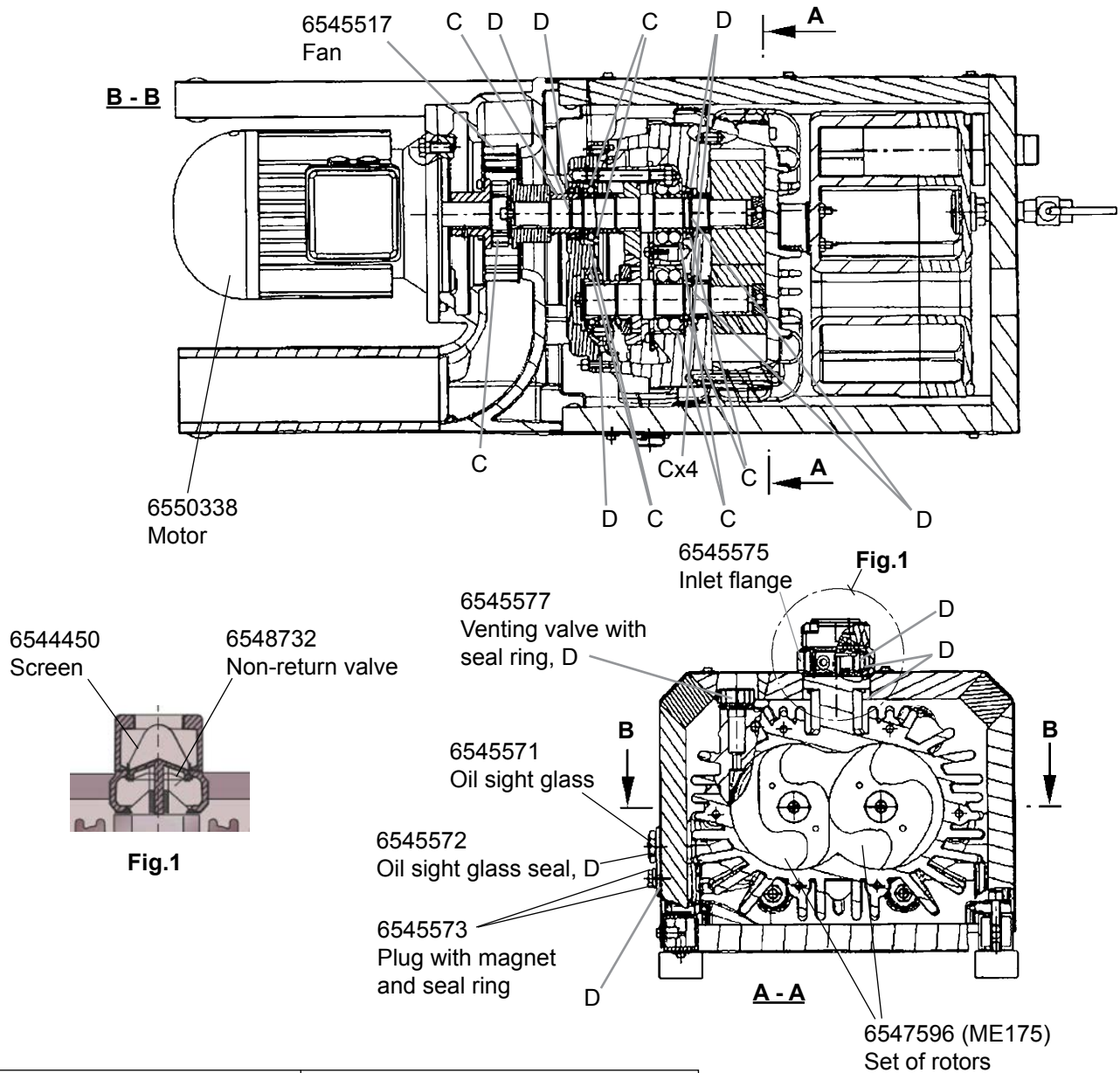
6550398 VACUUM PUMP ME175, 380-420/690 V 50 Hz



6544452 SEALING SET (mark D)		6544451 OVERHAUL KIT (includes sealing set, mark D and other parts, mark C)
Seal 45-60-8	(x3)	Double row ball bearing
Seal 26x31x2	(x1)	Ball bearing
O-ring 30x2	(x3)	O-ring
O-ring 19x2	(x1)	Collar
O-ring 44x3	(x1)	Piston ring
O-ring 65x3	(x2)	Retaining sleeve
Oil sight glass seal	(x1)	Gear rim
Venting valve R 1/2" with seal ring	(x1)	Sealing set

! NOTE:
 When ordering spare parts please always
 quote the type and the serial no. of the
 vacuum pump.

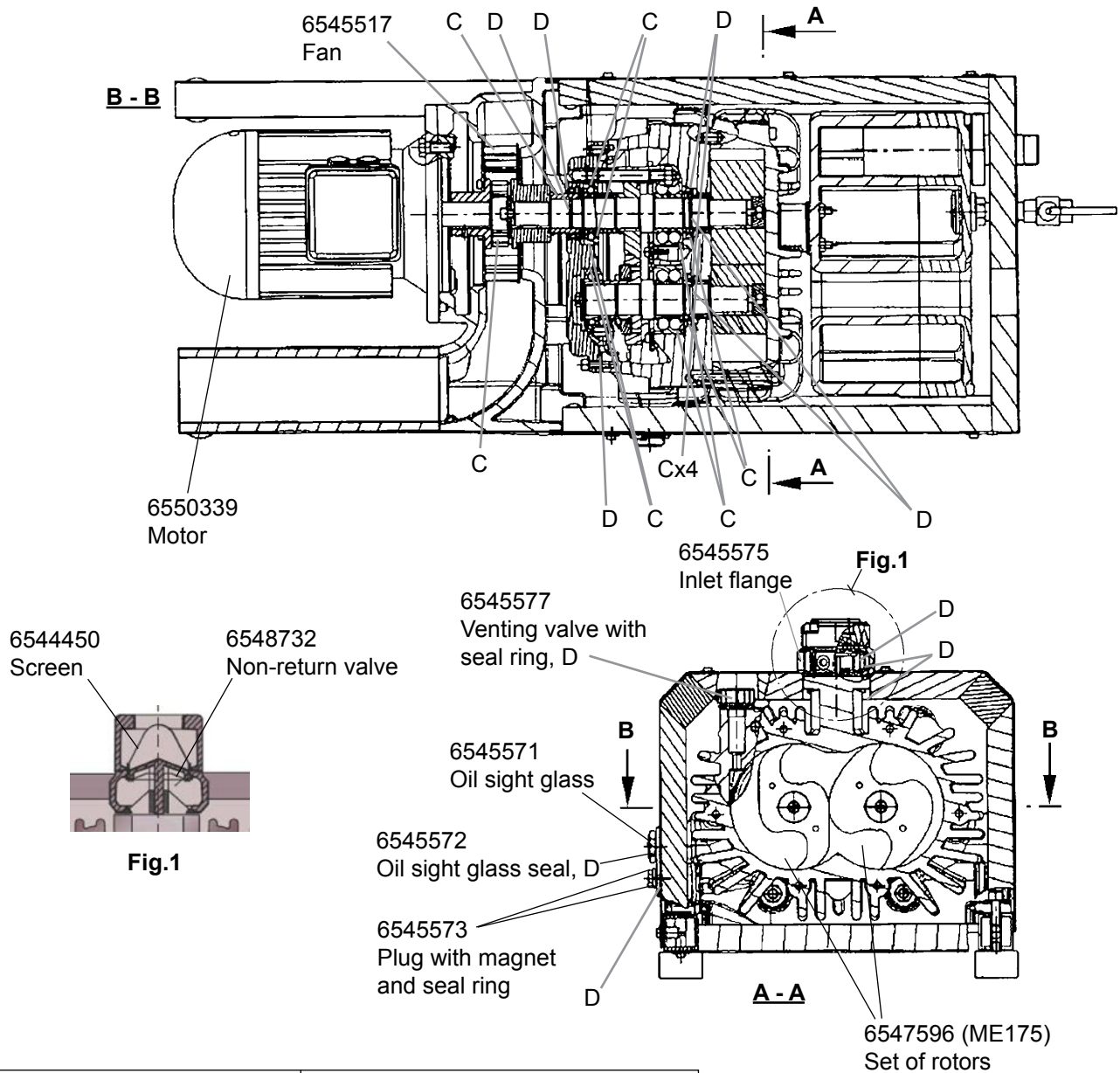
6550399 VACUUM PUMP ME175, 440-480 V 60 Hz



6544452 SEALING SET (mark D)		6544451 OVERHAUL KIT (includes sealing set, mark D and other parts, mark C)
Seal 45-60-8	(x3)	Double row ball bearing (x1)
Seal 26x31x2	(x1)	Ball bearing (x1)
O-ring 30x2	(x3)	O-ring (x1)
O-ring 19x2	(x1)	Collar (x1)
O-ring 44x3	(x1)	Piston ring (x1)
O-ring 65x3	(x2)	Retaining sleeve (x2)
Oil sight glass seal	(x1)	Gear rim (x1)
Venting valve R 1/2" with seal ring	(x1)	Sealing set (x1)

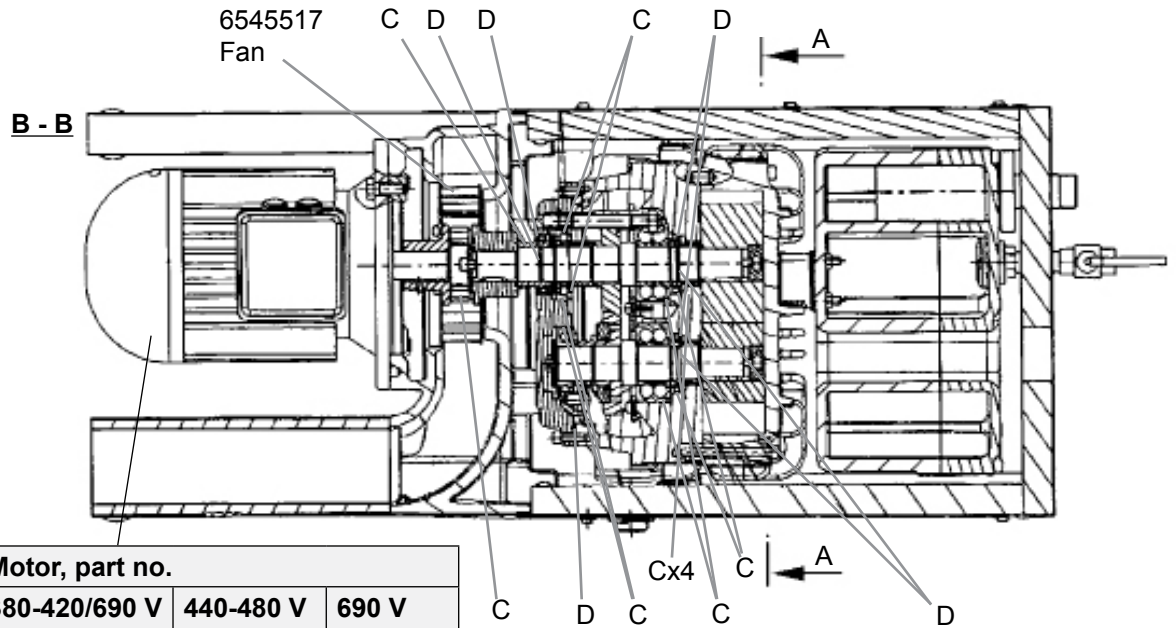
! NOTE:
 When ordering spare parts please always
 quote the type and the serial no. of the
 vacuum pump.

6550400 VACUUM PUMP ME175, 690 V 60 Hz

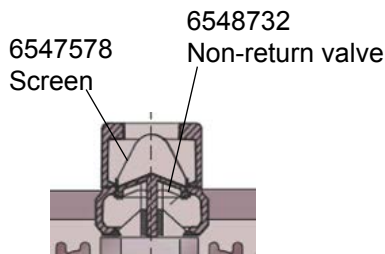
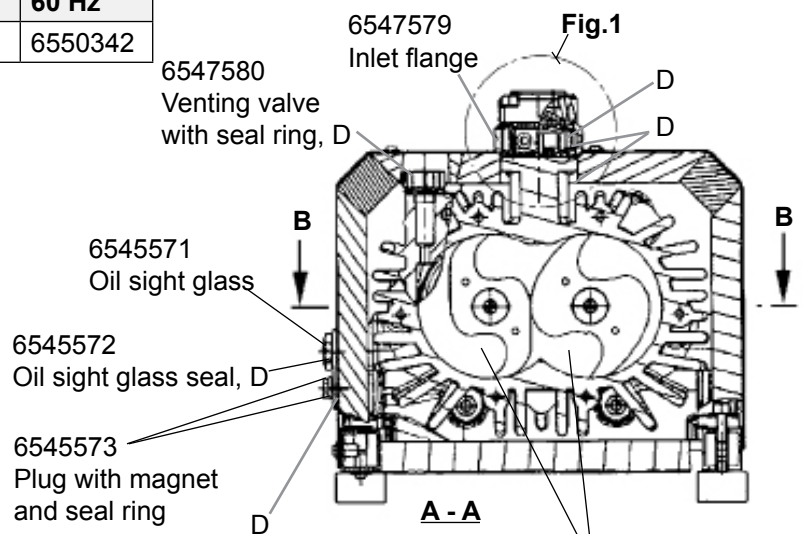


6544452 SEALING SET (mark D)		6544451 OVERHAUL KIT (includes sealing set, mark D and other parts, mark C)	
Seal 45-60-8	(x3)	Double row ball bearing	(x1)
Seal 26x31x2	(x1)	Ball bearing	(x1)
O-ring 30x2	(x3)	O-ring	(x1)
O-ring 19x2	(x1)	Collar	(x1)
O-ring 44x3	(x1)	Piston ring	(x1)
O-ring 65x3	(x2)	Retaining sleeve	(x2)
Oil sight glass seal	(x1)	Gear rim	(x1)
Venting valve R 1/2" with seal ring	(x1)	Sealing set	(x1)

! NOTE:
 When ordering spare parts please always
 quote the type and the serial no. of the
 vacuum pump.

6543689 VACUUM PUMP ME240, 660-690 V 50/60 Hz


Vacuum pump	Motor, part no.		
	380-420/690 V 50 Hz	440-480 V 60 Hz	690 V 60 Hz
ME240	6550340	6550341	6550342

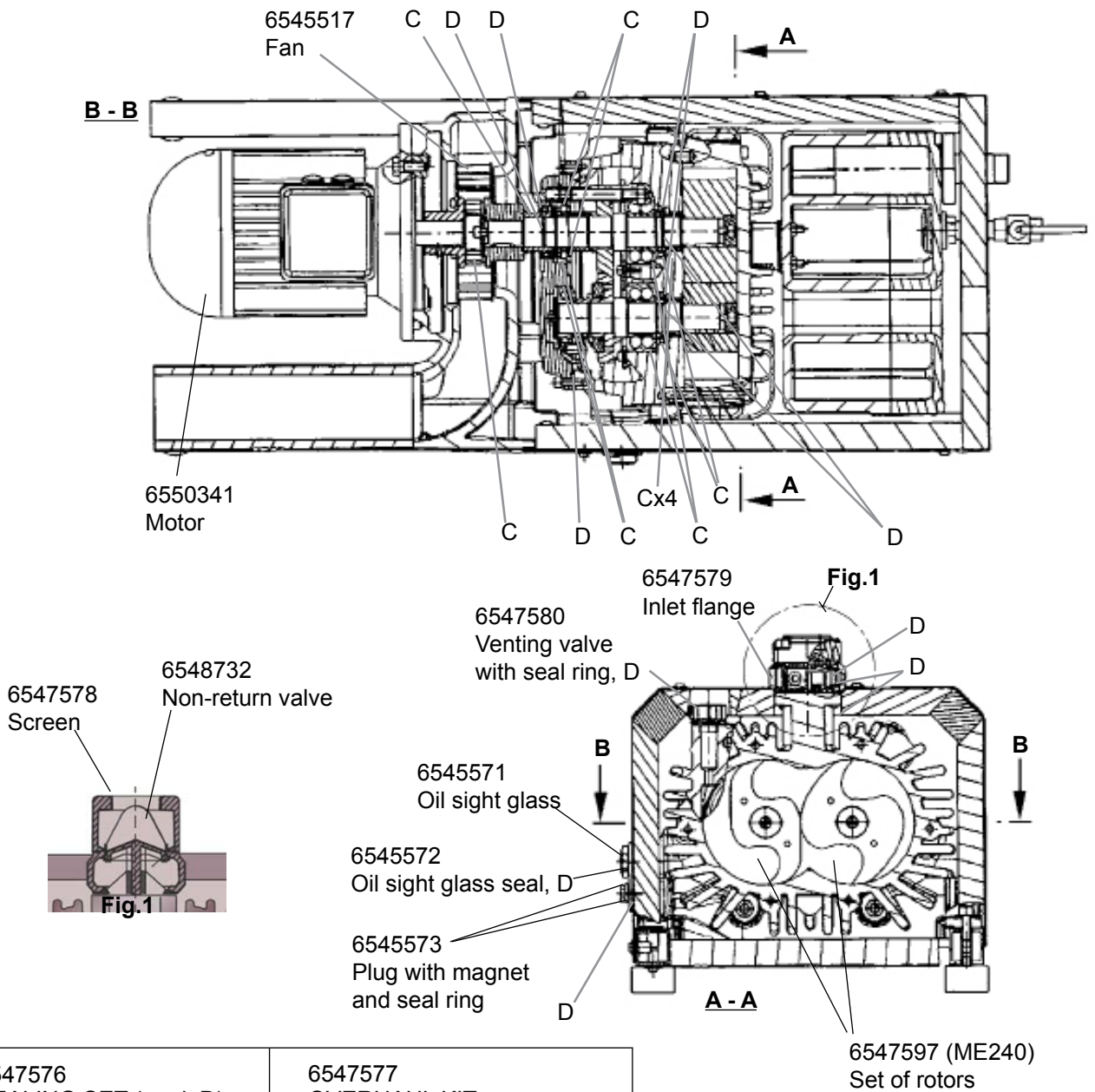

Fig.1

Fig.1

6547576 SEALING SET (mark D)	6547577 OVERHAUL KIT (includes sealing set, mark D and other parts, mark C)
Seal 55-72-8 (x2)	Ball bearing (x2)
Seal 48-72-8 (x1)	Cylinder bearing (x2)
Seal 17-21-1.5 (x1)	Retaining sleeve (x1)
Seal 26-31-2 (x1)	Piston ring (x4)
Seal G 3/8 (x1)	Push ring (x2)
O-ring 250x3 (x1)	Gear rim (x1)
O-ring 35x1.5 (x1)	Gear rim (x1)
O-ring 42x1.5 (x2)	Sealing set (x1)
O-ring 65x3 (x1)	
O-ring 87x3 (x2)	
Oil sight glass seal (x1)	
Venting valve G1/2" (x1)	

 6547597 (ME240)
Set of rotors

NOTE !

When ordering spare parts please always quote the type and the serial no. of the vacuum pump.

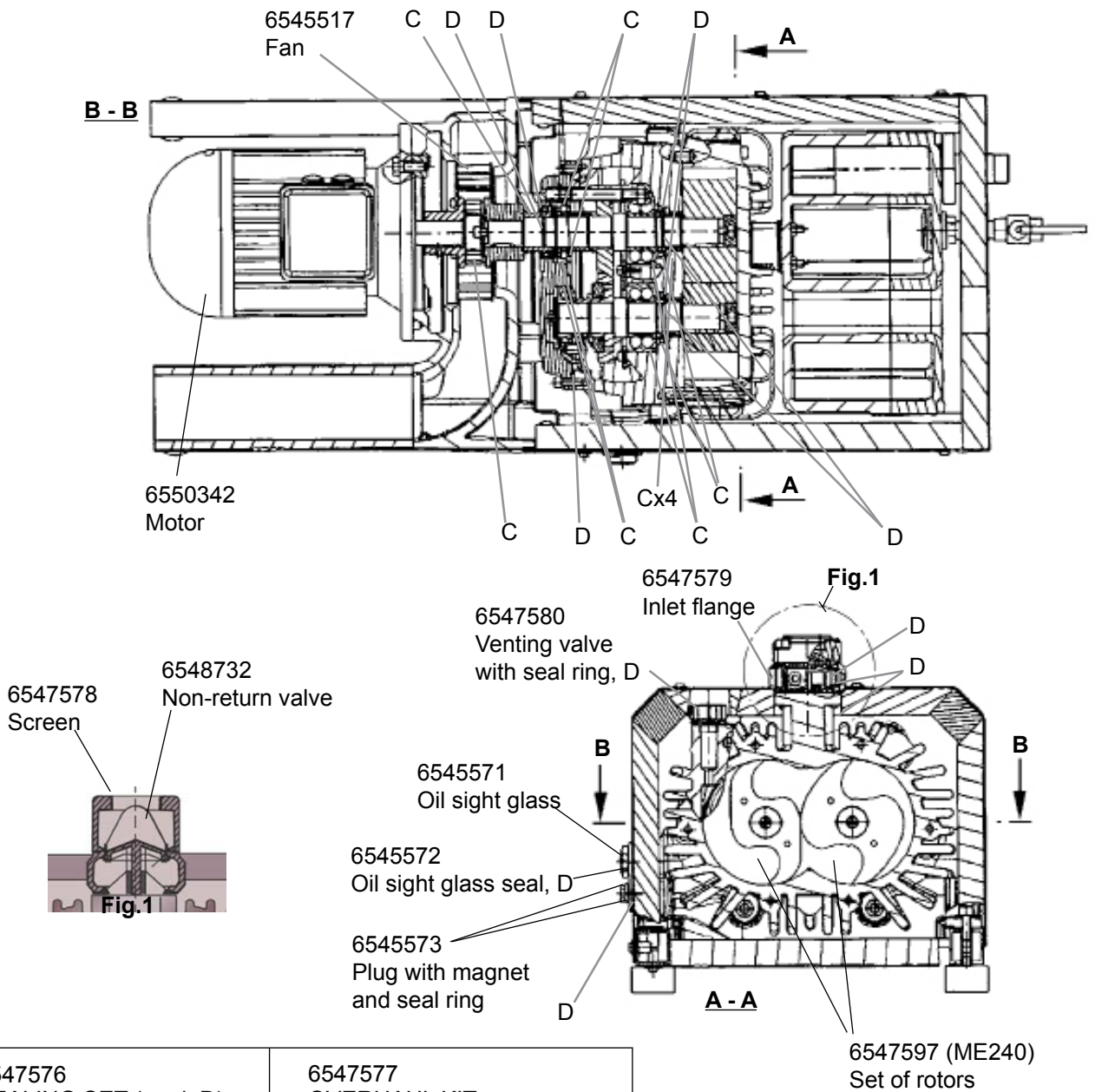
6550402 VACUUM PUMP ME240, 440-480 V 60 Hz


6547576	SEALING SET (mark D)
Seal 55-72-8	(x2)
Seal 48-72-8	(x1)
Seal 17-21-1.5	(x1)
Seal 26-31-2	(x1)
Seal G 3/8	(x1)
O-ring 250x3	(x1)
O-ring 35x1.5	(x1)
O-ring 42x1.5	(x2)
O-ring 65x3	(x1)
O-ring 87x3	(x2)
Oil sight glass seal	(x1)
Venting valve G1/2"	(x1)

6547577	OVERHAUL KIT
	(includes sealing set, mark D and other parts, mark C)
Ball bearing	(x2)
Cylinder bearing	(x2)
Retaining sleeve	(x1)
Piston ring	(x4)
Push ring	(x2)
Gear rim	(x1)
Gear rim	(x1)
Sealing set	(x1)

NOTE !

When ordering spare parts please always quote the type and the serial no. of the vacuum pump.

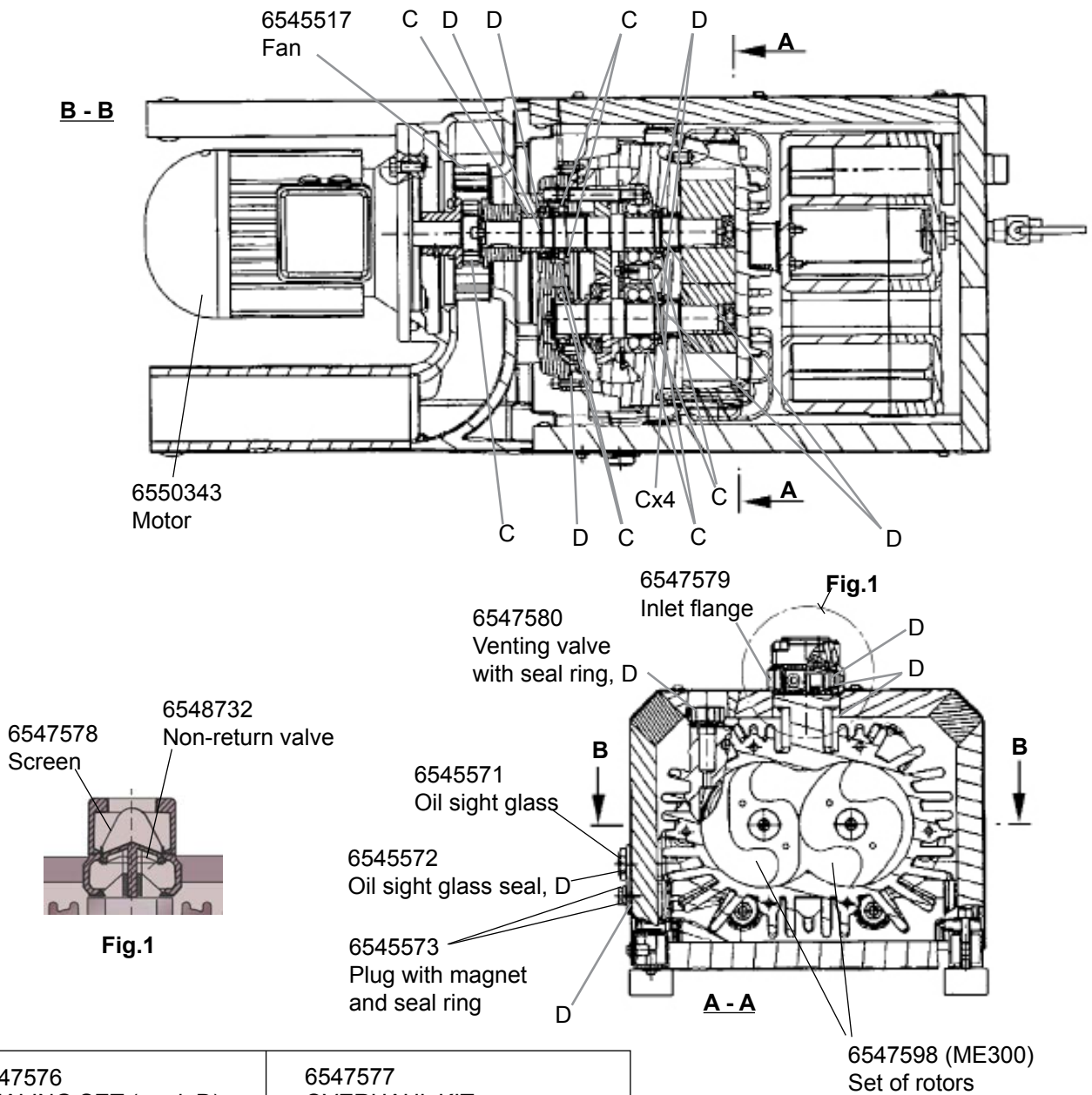
6550225 VACUUM PUMP ME240, 690 V 50 Hz


6547576 SEALING SET (mark D)	6547577 OVERHAUL KIT (includes sealing set, mark D and other parts, mark C)
Seal 55-72-8 (x2)	Ball bearing (x2)
Seal 48-72-8 (x1)	Cylinder bearing (x2)
Seal 17-21-1.5 (x1)	Retaining sleeve (x1)
Seal 26-31-2 (x1)	Piston ring (x4)
Seal G 3/8 (x1)	Push ring (x2)
O-ring 250x3 (x1)	Gear rim (x1)
O-ring 35x1.5 (x1)	Gear rim (x1)
O-ring 42x1.5 (x2)	Sealing set (x1)
O-ring 65x3 (x1)	
O-ring 87x3 (x2)	
Oil sight glass seal (x1)	
Venting valve G1/2" (x1)	

 6547597 (ME240)
Set of rotors

NOTE !

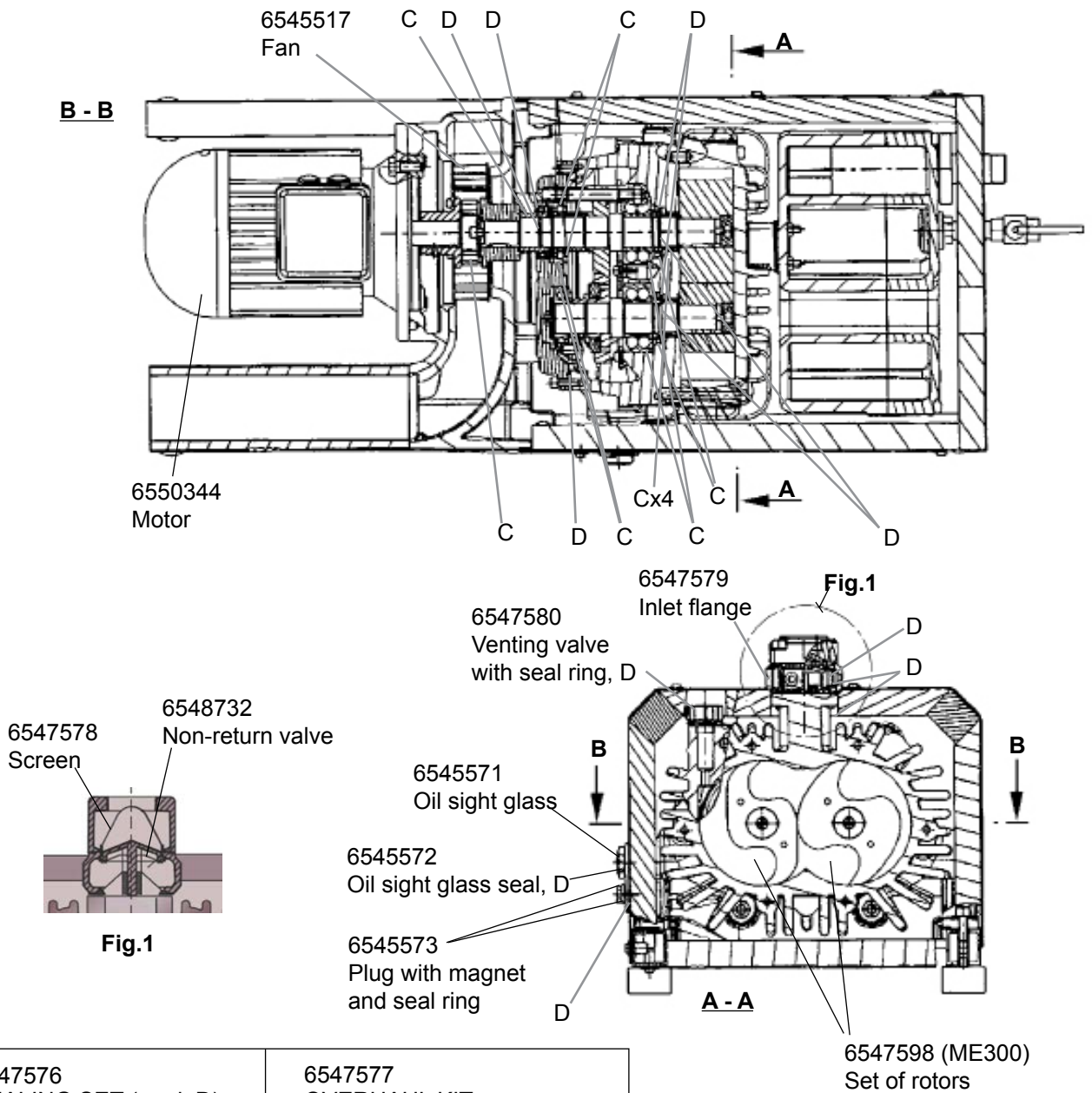
When ordering spare parts please always quote the type and the serial no. of the vacuum pump.

6550403 VACUUM PUMP ME300, 380-420/690 V 50 Hz


6547576 SEALING SET (mark D)	6547577 OVERHAUL KIT (includes sealing set, mark D and other parts, mark C)
Seal 55-72-8 (x2)	Ball bearing (x2)
Seal 48-72-8 (x1)	Cylinder bearing (x2)
Seal 17-21-1.5 (x1)	Retaining sleeve (x1)
Seal 26-31-2 (x1)	Piston ring (x4)
Seal G 3/8 (x1)	Push ring (x2)
O-ring 250x3 (x1)	Gear rim (x1)
O-ring 35x1.5 (x1)	Gear rim (x1)
O-ring 42x1.5 (x2)	Sealing set (x1)
O-ring 65x3 (x1)	
O-ring 87x3 (x2)	
Oil sight glass seal (x1)	
Venting valve G1/2" (x1)	

NOTE !

When ordering spare parts please always quote the type and the serial no. of the vacuum pump.

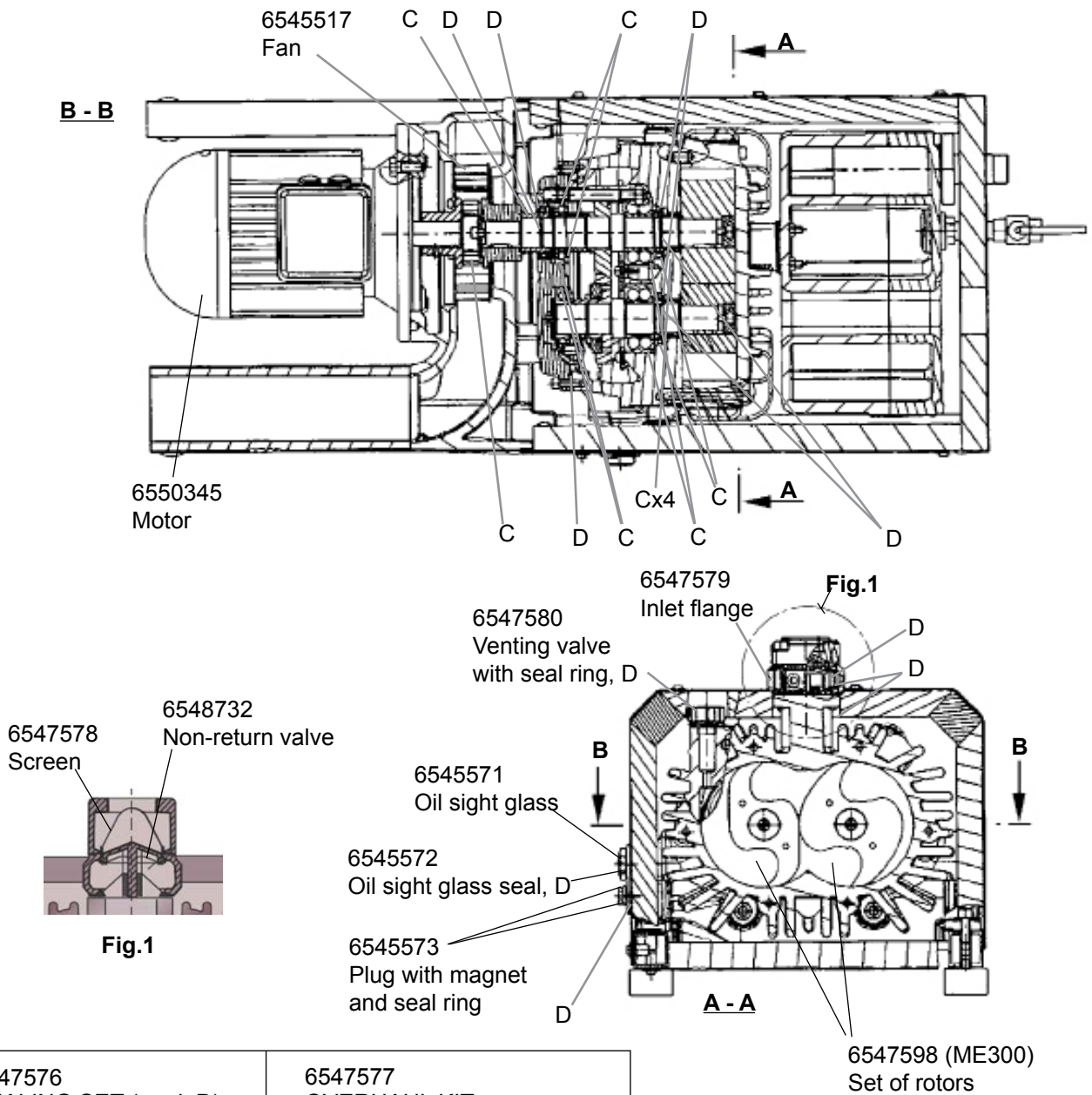
6550404 VACUUM PUMP ME300, 440-480 V 60 Hz


6547576 SEALING SET (mark D)	6547577 OVERHAUL KIT (includes sealing set, mark D and other parts, mark C)
Seal 55-72-8 (x2)	Ball bearing (x2)
Seal 48-72-8 (x1)	Cylinder bearing (x2)
Seal 17-21-1.5 (x1)	Retaining sleeve (x1)
Seal 26-31-2 (x1)	Piston ring (x4)
Seal G 3/8 (x1)	Push ring (x2)
O-ring 250x3 (x1)	Gear rim (x1)
O-ring 35x1.5 (x1)	Gear rim (x1)
O-ring 42x1.5 (x2)	Sealing set (x1)
O-ring 65x3 (x1)	
O-ring 87x3 (x2)	
Oil sight glass seal (x1)	
Venting valve G1/2" (x1)	

 6547598 (ME300)
Set of rotors

NOTE !

When ordering spare parts please always quote the type and the serial no. of the vacuum pump.

6550405 VACUUM PUMP ME300, 660-690 V 50/60 Hz


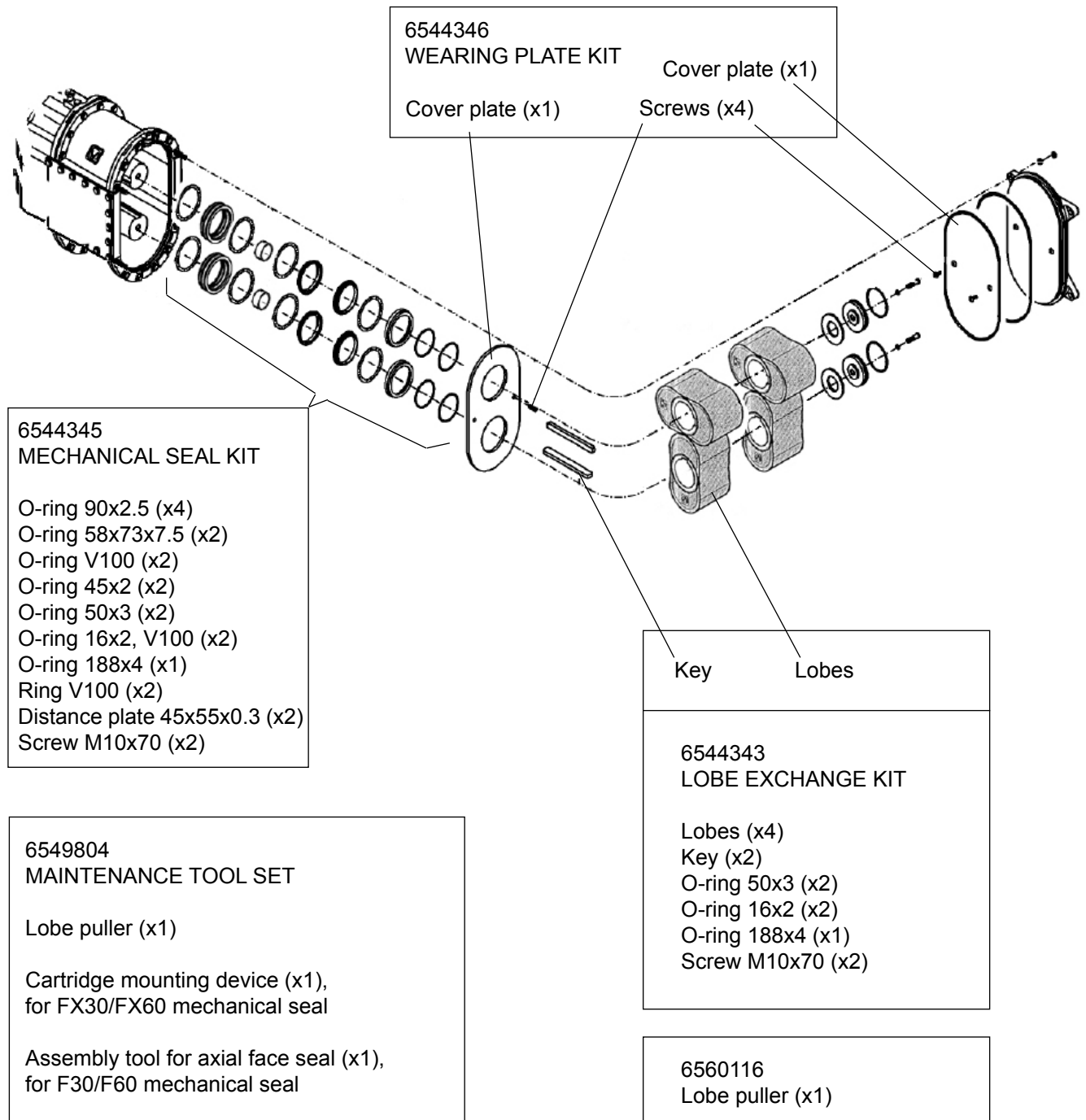
6547576	SEALING SET (mark D)	6547577	OVERHAUL KIT
Seal 55-72-8	(x2)	(includes sealing set, mark D	and other parts, mark C)
Seal 48-72-8	(x1)		
Seal 17-21-1.5	(x1)	Ball bearing	(x2)
Seal 26-31-2	(x1)	Cylinder bearing	(x2)
Seal G 3/8	(x1)	Retaining sleeve	(x1)
O-ring 250x3	(x1)	Piston ring	(x4)
O-ring 35x1.5	(x1)	Push ring	(x2)
O-ring 42x1.5	(x2)	Gear rim	(x1)
O-ring 65x3	(x1)	Gear rim	(x1)
O-ring 87x3	(x2)	Sealing set	(x1)
Oil sight glass seal	(x1)		
Venting valve G1/2"	(x1)		

NOTE !

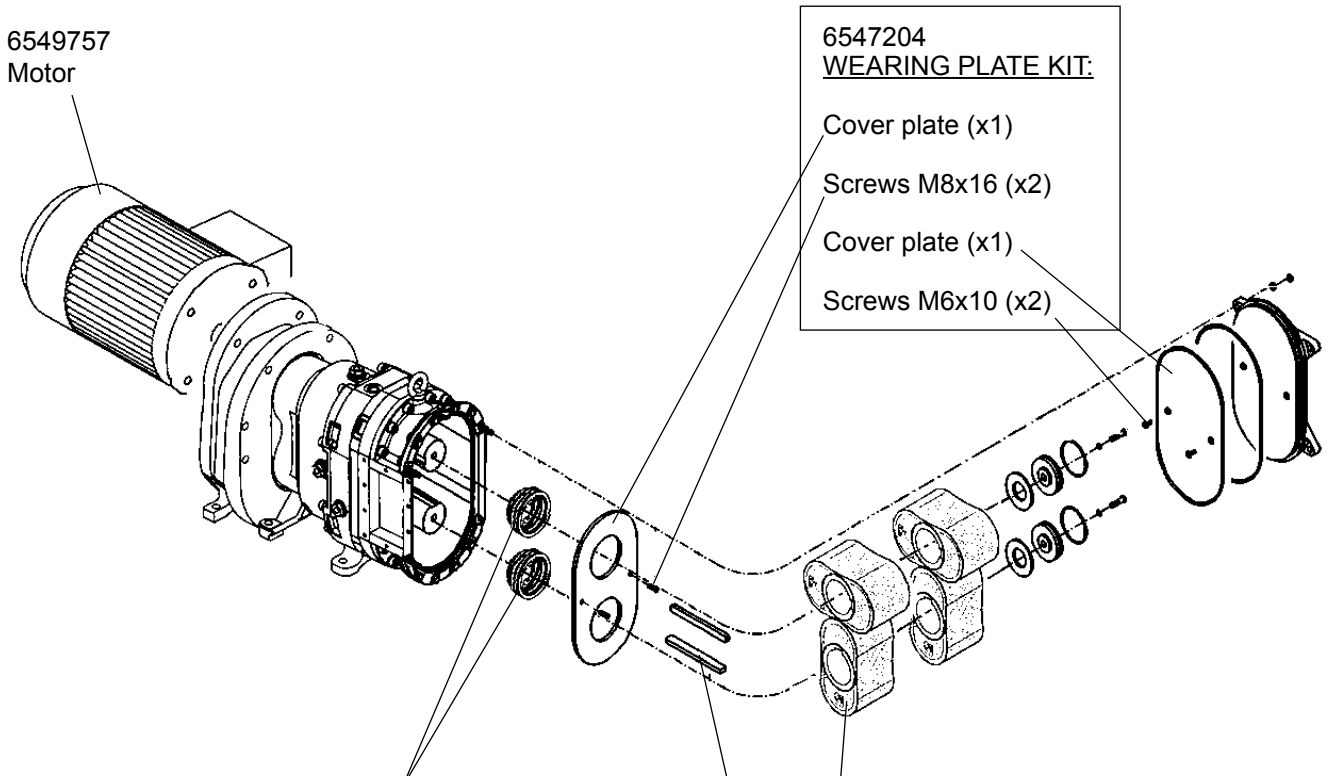
When ordering spare parts please always quote the type and the serial no. of the vacuum pump.

6543774 EVAC ONLINE PUMP F60, 400/440 V 50/60 Hz (not sold as a single item)

6543774 is replaced by P/N 6546545 (for Evac OnlineMax P/N 6543805 and P/N 6544239)



6545640 EVAC ONLINE PUMP FX30, 400/690 V 50 Hz, 460 V 60 Hz



6549757
Motor

- 6547204
WEARING PLATE KIT:
- Cover plate (x1)
 - Screws M8x16 (x2)
 - Cover plate (x1)
 - Screws M6x10 (x2)

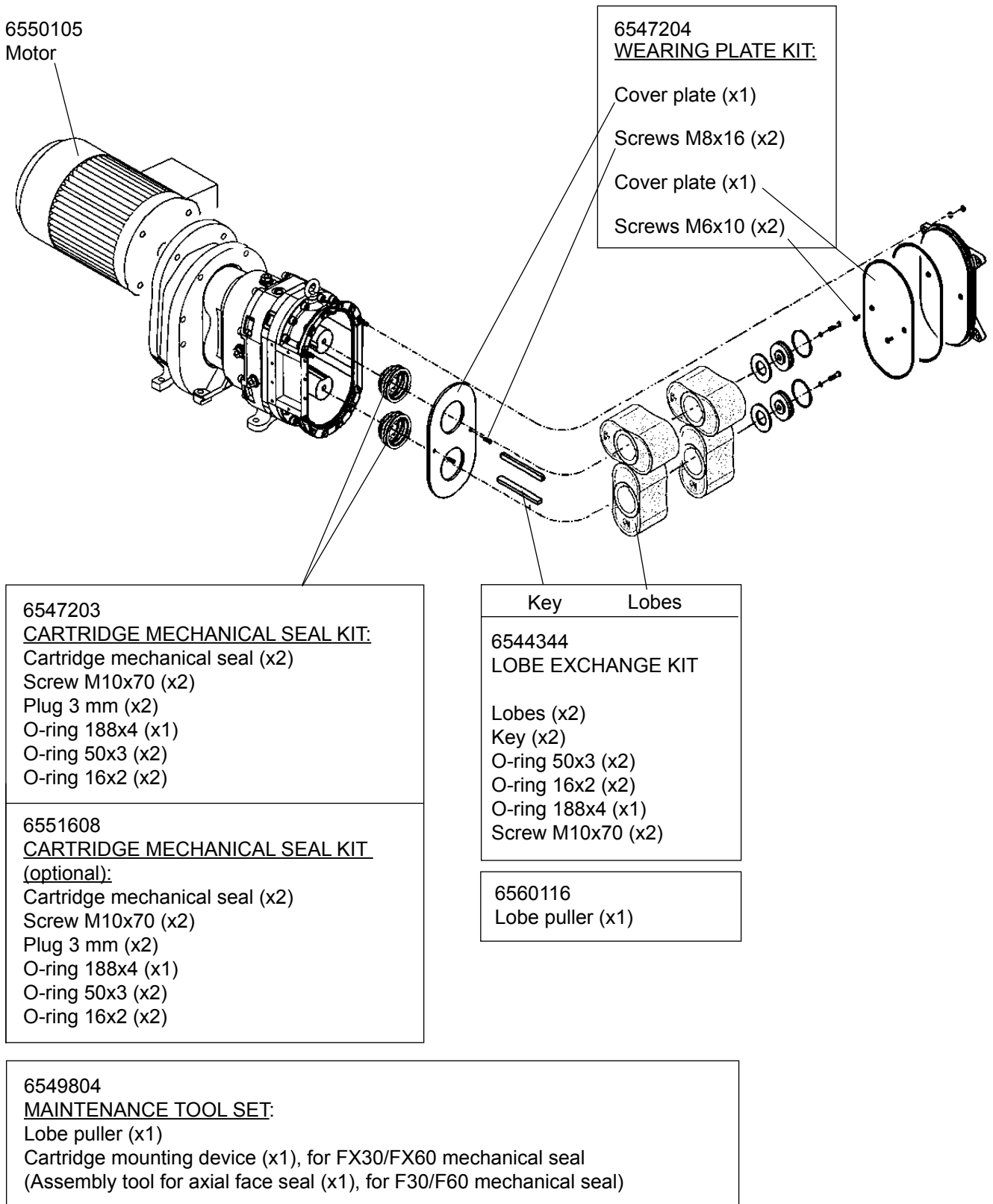
- 6547203
CARTRIDGE MECHANICAL SEAL KIT:
- Cartridge mechanical seal (x2)
 - Screw M10x70 (x2)
 - Plug 3 mm (x2)
 - O-ring 188x4 (x1)
 - O-ring 50x3 (x2)
 - O-ring 16x2 (x2)

- 6551608
CARTRIDGE MECHANICAL SEAL KIT
(optional):
- Cartridge mechanical seal (x2)
 - Screw M10x70 (x2)
 - Plug 3 mm (x2)
 - O-ring 188x4 (x1)
 - O-ring 50x3 (x2)
 - O-ring 16x2 (x2)

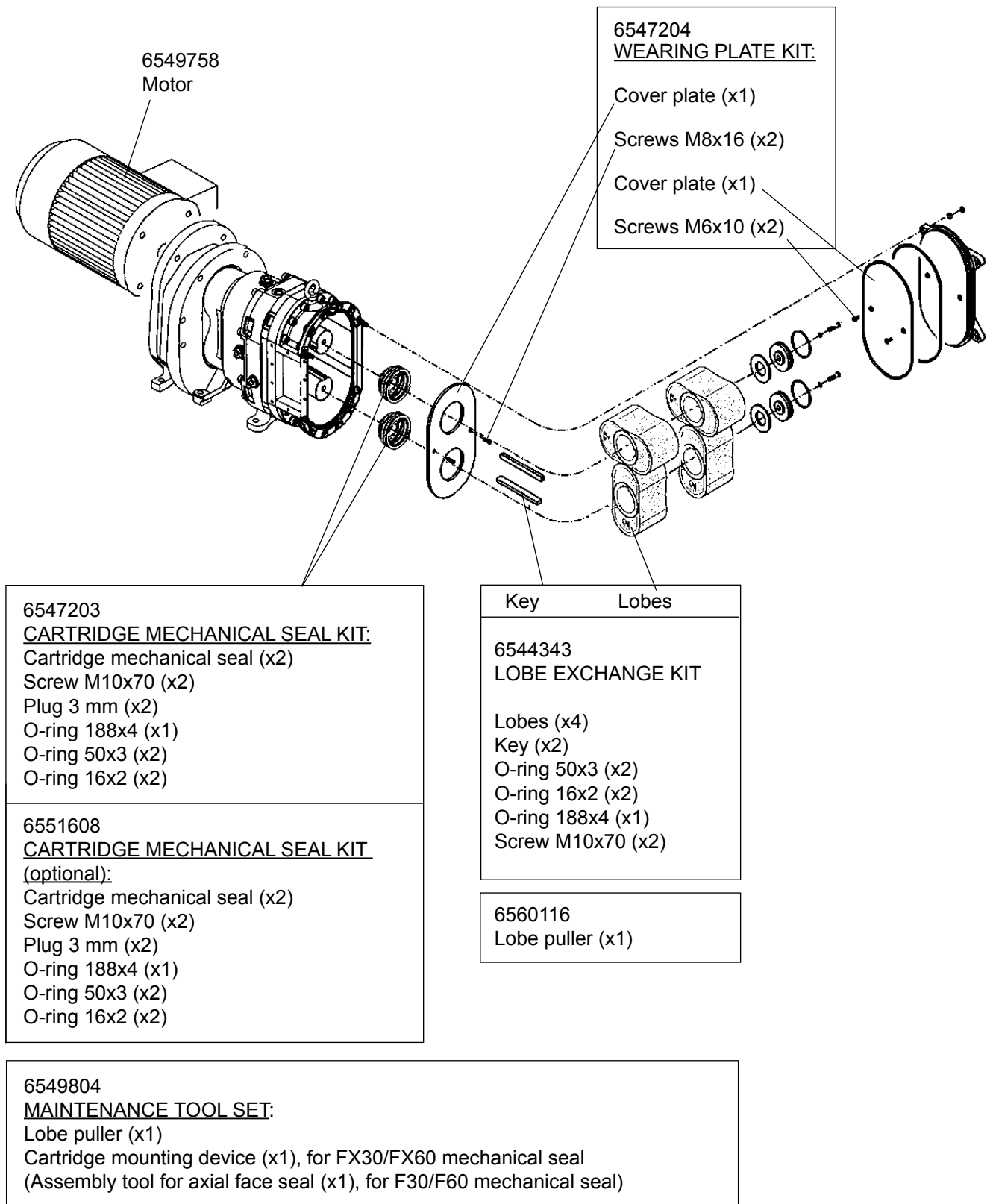
- | Key | Lobes |
|-------------------------------------|-------|
| 6544344
<u>LOBE EXCHANGE KIT</u> | |
| Lobes (x2) | |
| Key (x2) | |
| O-ring 50x3 (x2) | |
| O-ring 16x2 (x2) | |
| O-ring 188x4 (x1) | |
| Screw M10x70 (x2) | |

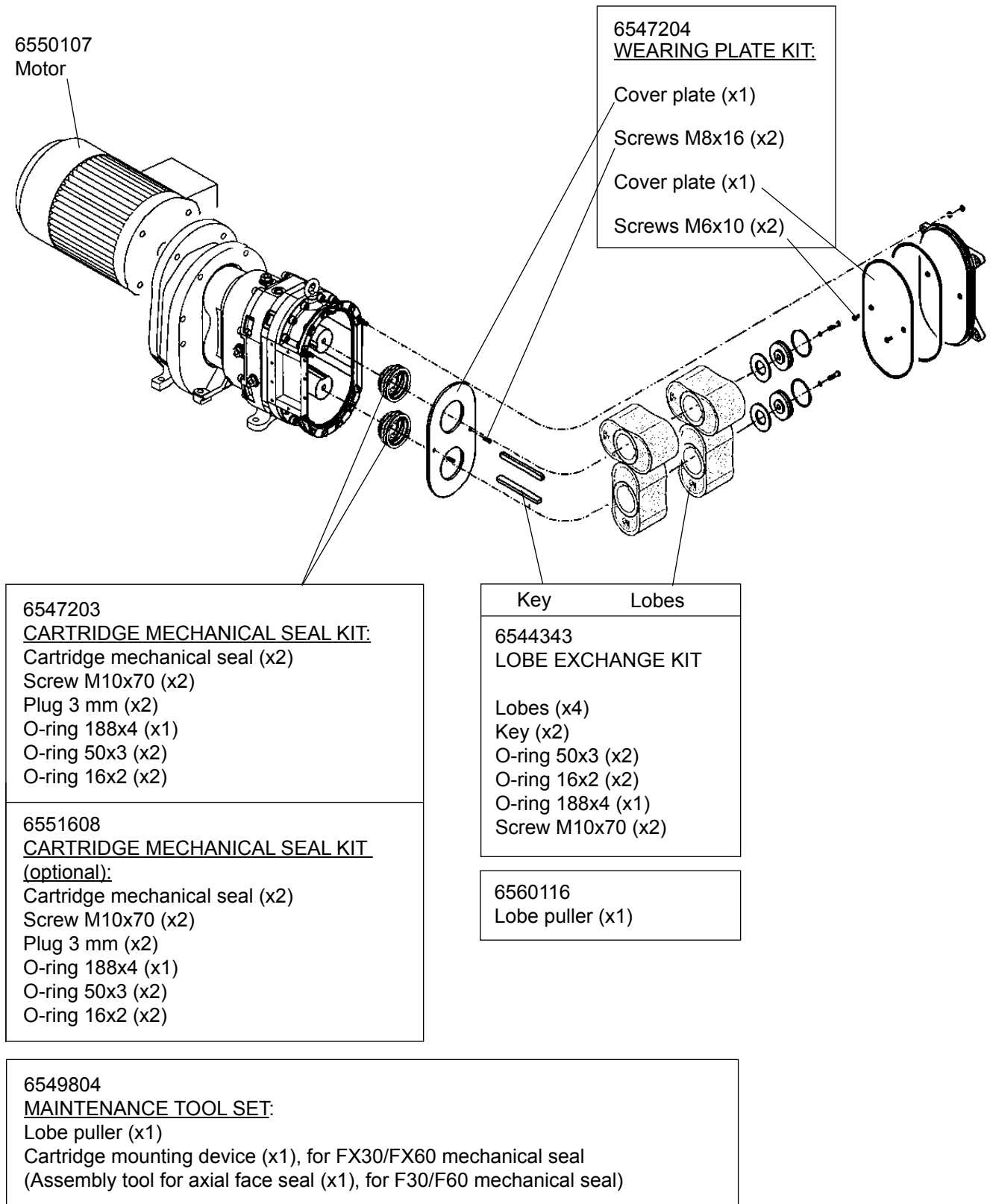
- 6560116
Lobe puller (x1)

- 6549804
MAINTENANCE TOOL SET:
- Lobe puller (x1)
 - Cartridge mounting device (x1) for FX30/FX60 mechanical seal
 - (Assembly tool for axial face seal (x1) for F30/F60 for the mechanical seal)

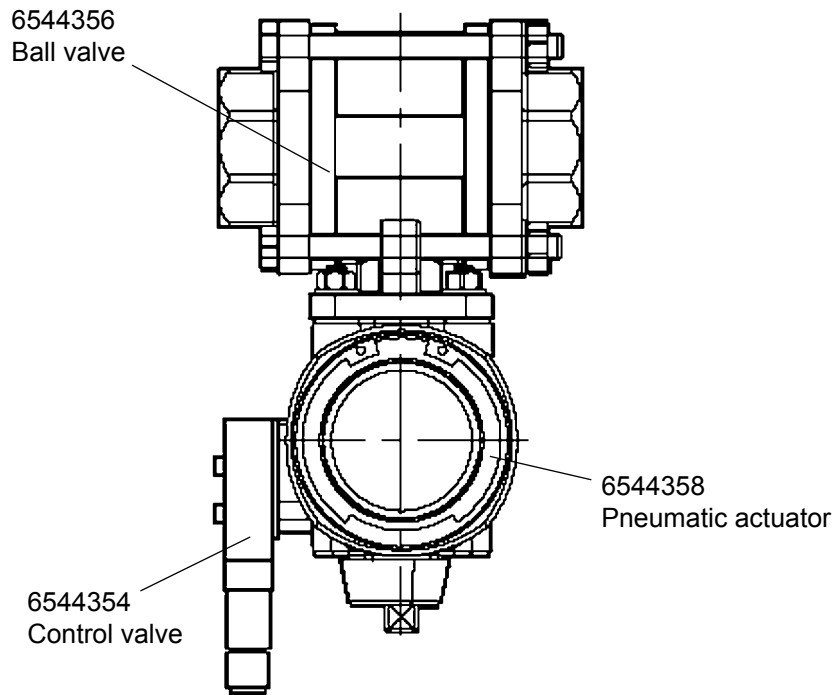
6550104 EVAC ONLINE PUMP FX30, 690 V 60 Hz


6545641 EVAC ONLINE PUMP FX60, 400/690 V 50 Hz, 460 V 60 Hz

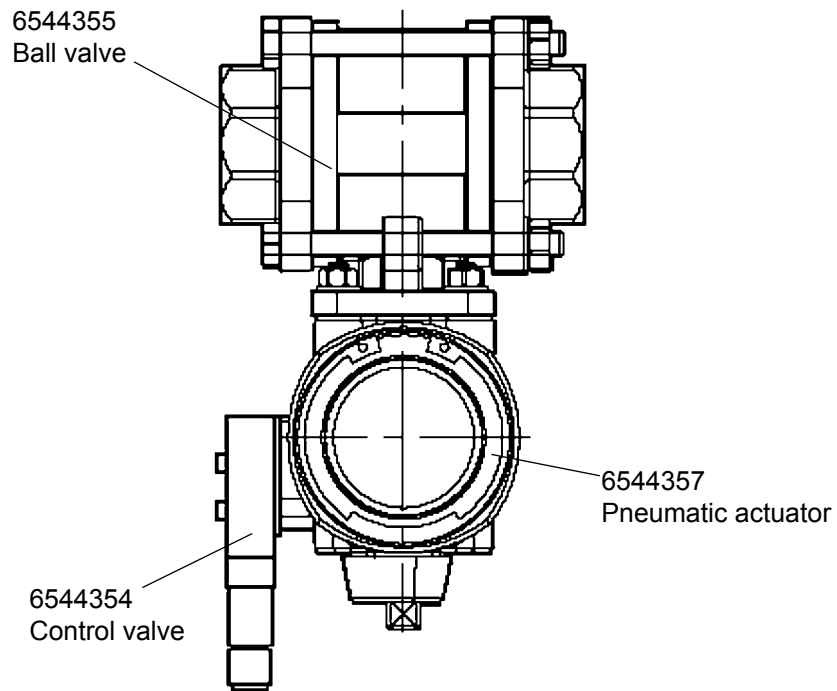


6550106 EVAC ONLINE PUMP FX60, 690 V 60 Hz


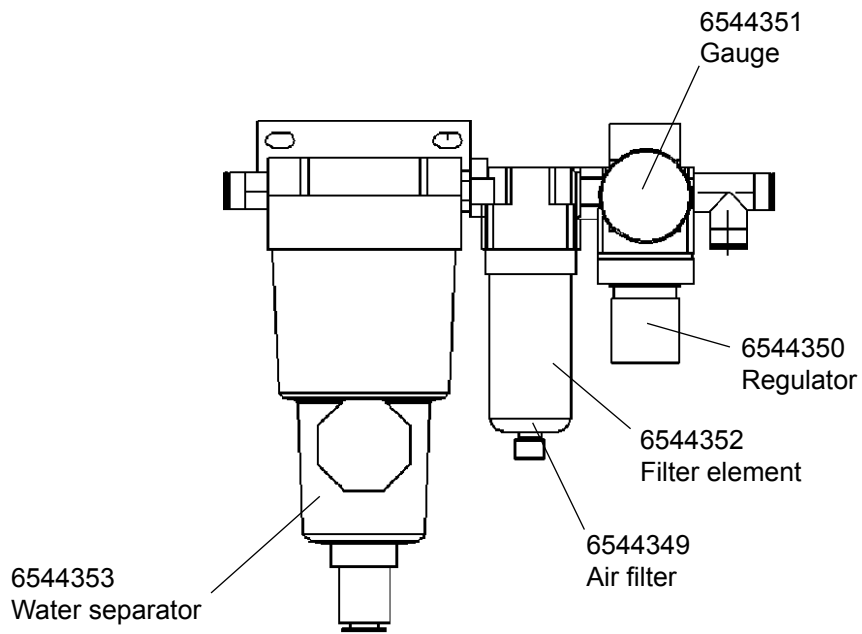
6544227 PNEUMATIC BALL VALVE DN10



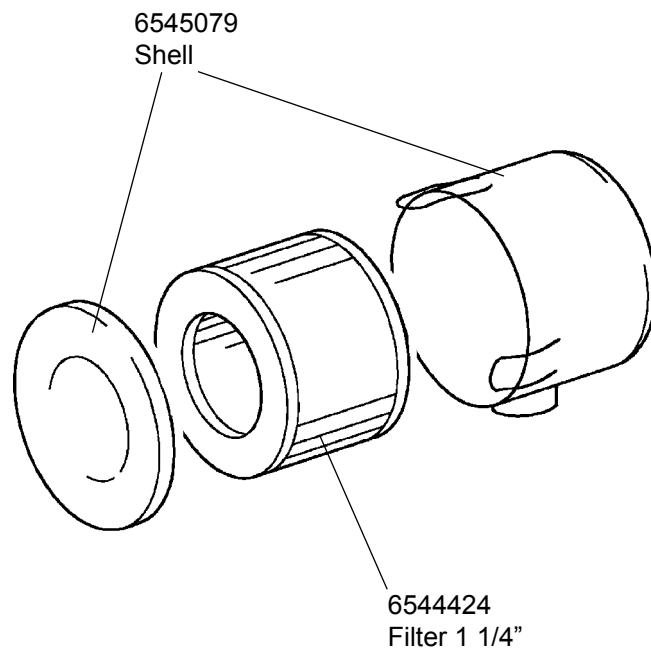
6544236 PNEUMATIC BALL VALVE DN32



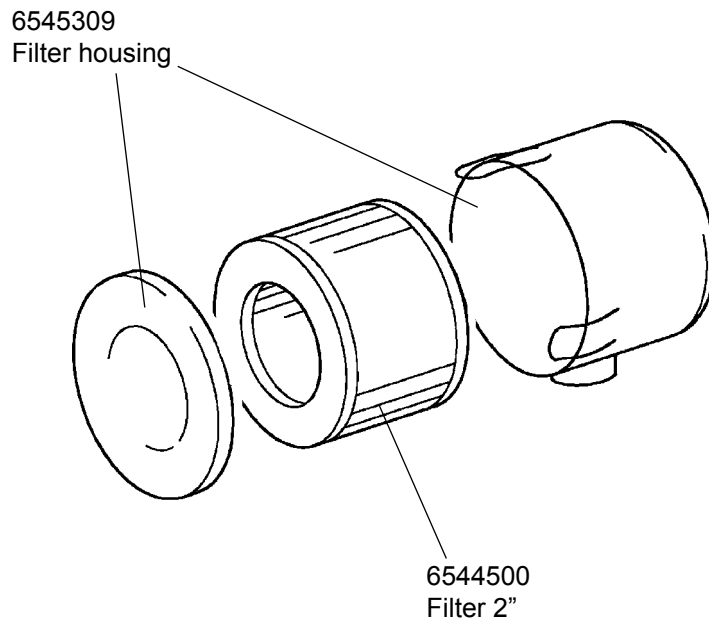
6543822 AIR SOURCE TREATMENT UNIT



6544423 AIR FILTER COMPLETE



6544499 AIR FILTER COMPLETE 2"





EVAC ONLINEMAX

REPLACING PRODUCTS

Old products		Replacing products		
Name	P/N	P/N	Name	Link to document
Evac Online pump F60	6543774	▶ 6546545	Sewage pump FX60 retrofit kit	002531-4

P/N 6546545 SEWAGE PUMP FX60 RETROFIT KIT

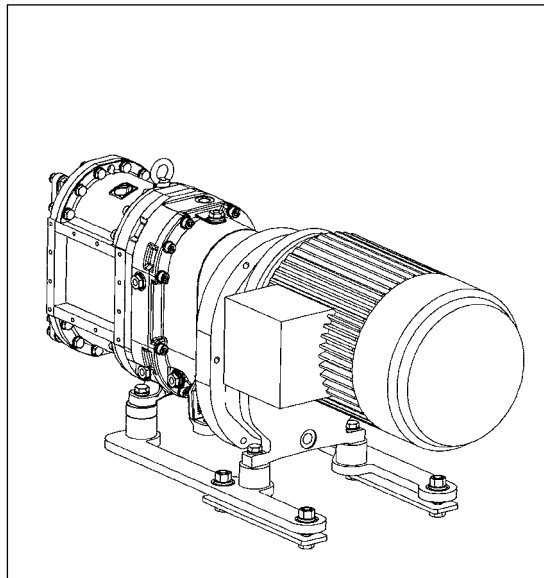


Table of contents

Installation:

P/N 6546545 Sewage pump FX60 retrofit kit Doc no. 002530-2

Spare parts:

P/N 6546545 Sewage pump FX60 retrofit kit Doc no. 002528-2

P/N 6545641 Evac Online Pump FX60 Doc no. 003262-1

6546545 SEWAGE PUMP FX60 RETROFIT KIT**Retrofit kit for the units:**

P/N 6543805, Evac OnlineMax 175, 400/440 V

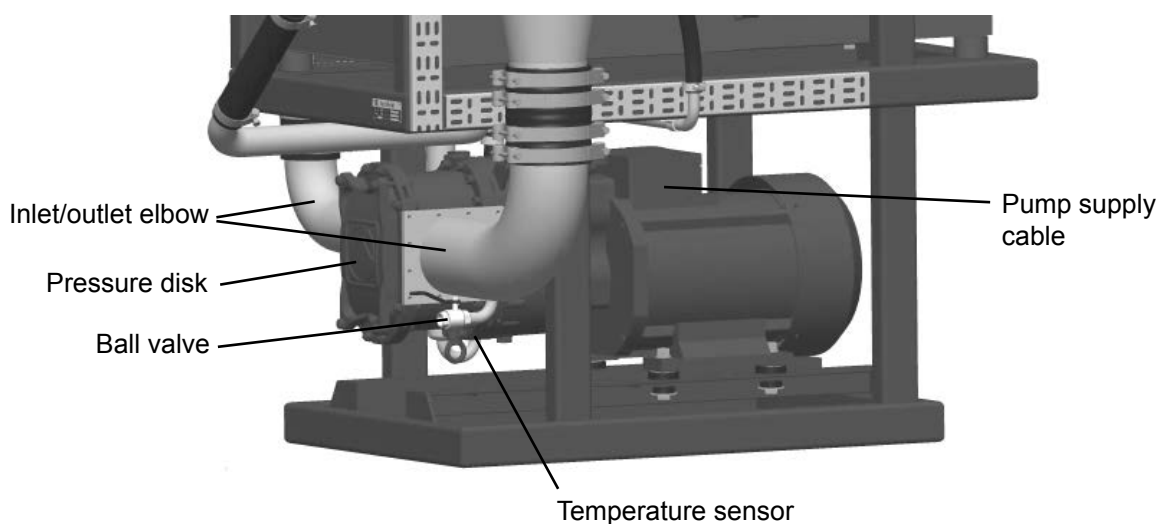
P/N 6544239, Evac OnlineMax 175, 690 V

P/N 6544174, Evac OnlineMax 240, 400/440 V

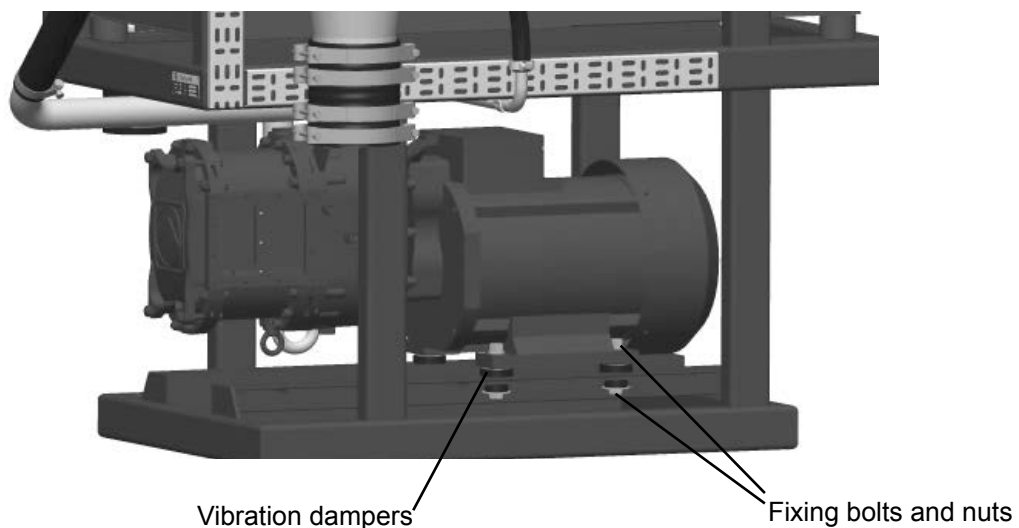
P/N 6544421, Evac OnlineMax 240, 690 V

1. Preparation of the existing OnlineMax unit

- Shut down the OnlineMax unit and unplug it from the electrical supply.
- Drain all sewage from the pump and the piping through the ball valve and the pressure disk.
- Disconnect the supply cable of the sewage pump.
- Disconnect the cable of the temperature sensor and remove the sensor from the pump housing.
- Loose the hose clamps and remove the inlet/outlet elbows from the pump.

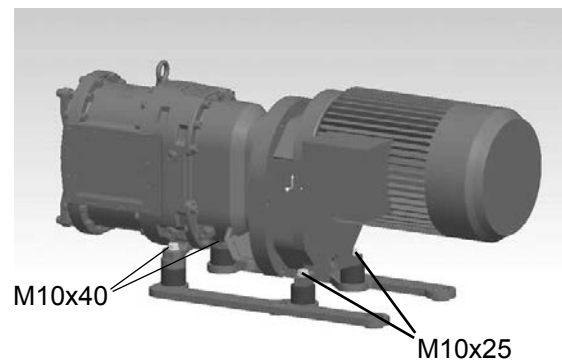


- Loose the fixing bolts/nuts and remove the pump.
- Finally remove the old vibration dampers from the pump base.

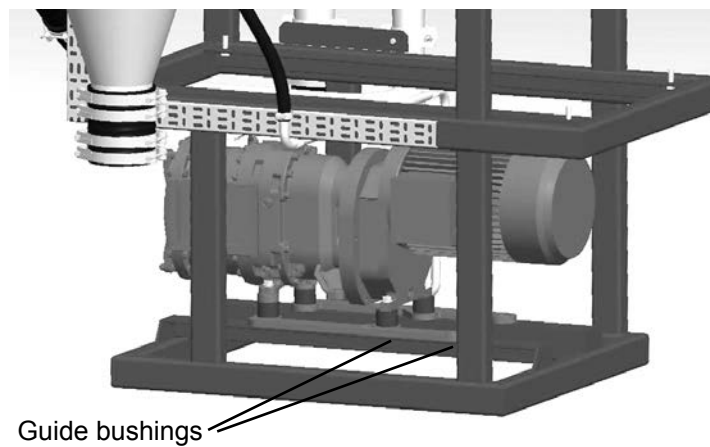


6546545 SEVAGE PUMP FX60 RETROFIT KIT**2. Preparation of the Sewage pump FX60 retrofit kit**

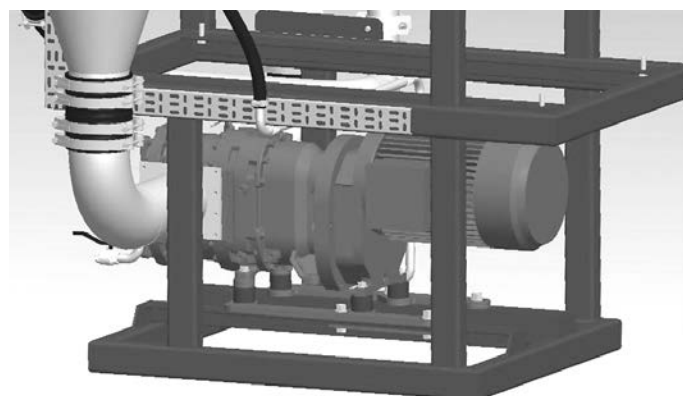
- Preassemble the adapter plates, the vibration dampers and the FX60 pump with the bolts.

**3. Installation of the Sewage pump FX60 kit to the OnlineMax unit**

- Install the preassembled retrofit pump on the pump base. Ensure that the adapter plate bushings will drop into the old fixing holes of the base.

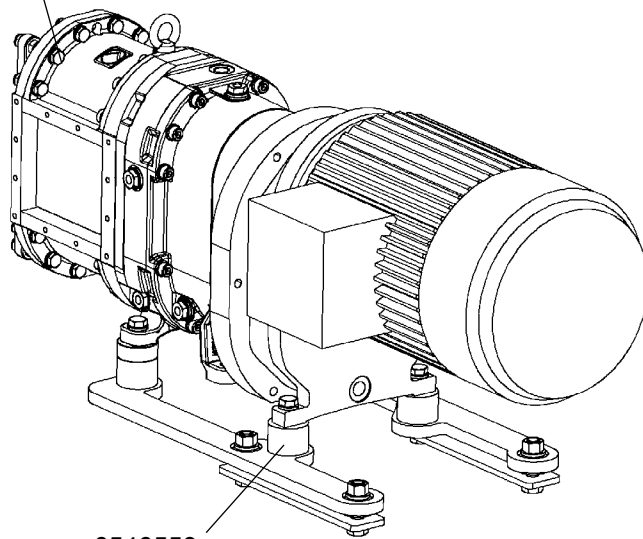


- Secure the adapter plates with the fixing bars and the screws.
- Reassemble the piping with the inlet/outlet elbows.
- Install the temperature sensor and connect the cable.
- Connect the supply cable of the FX60 pump.



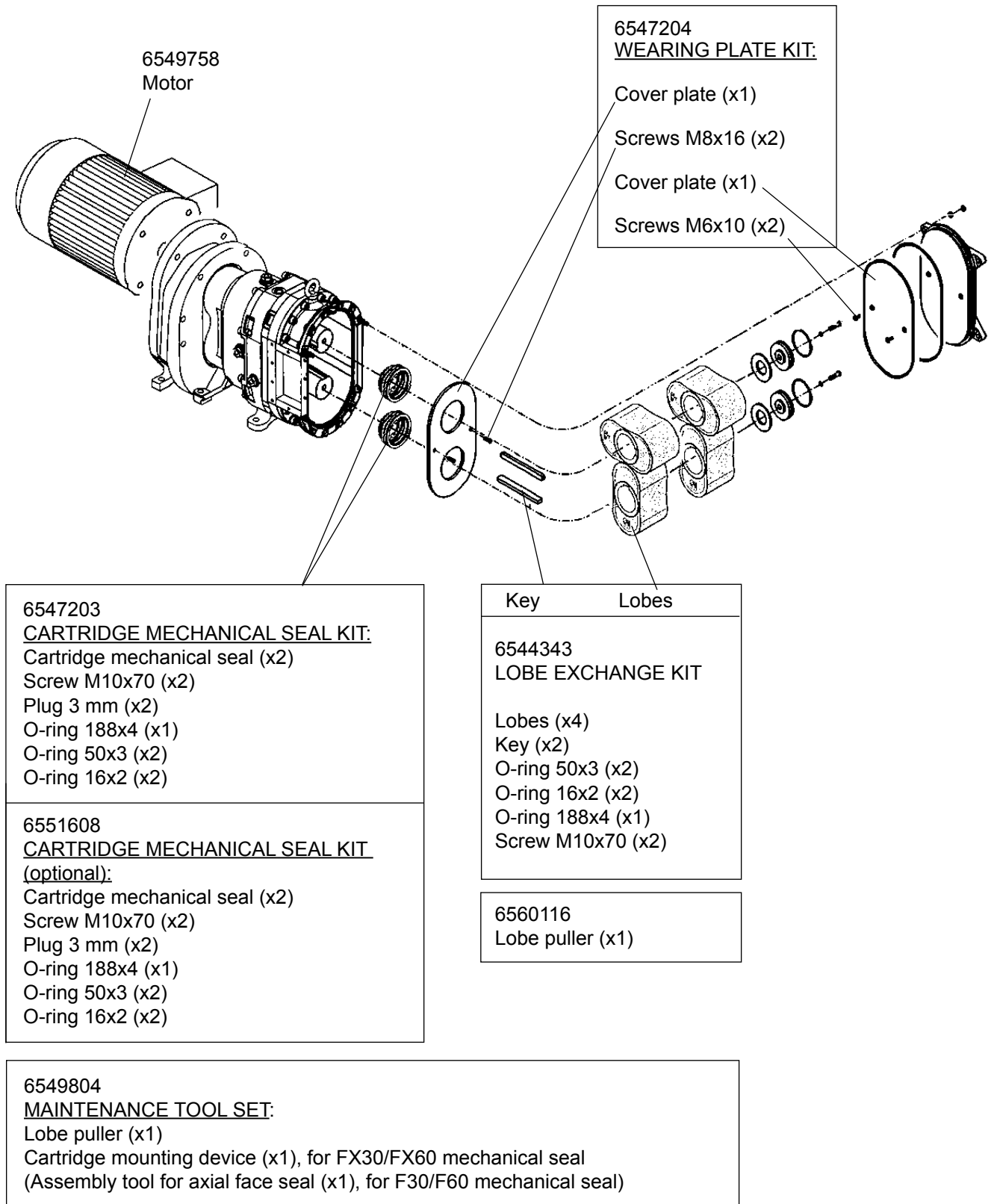
6546545 SEWAGE PUMP FX60 RETROFIT KIT

6545641
Evac Online pump FX60

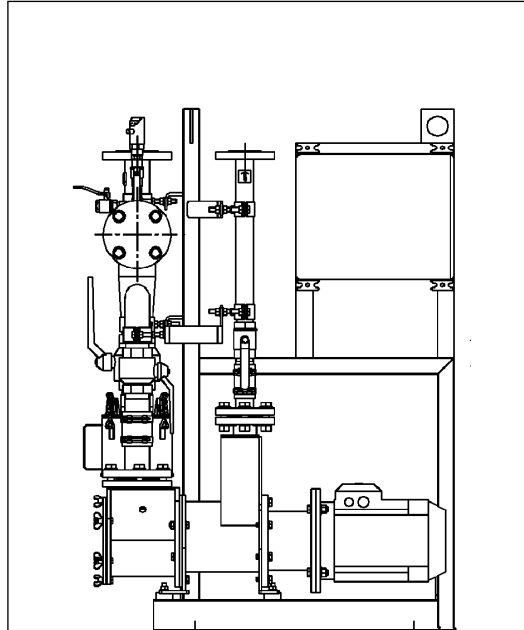


6546559
Damper

6545641 EVAC ONLINE PUMP FX60, 400/690 V 50 Hz, 460 V 60 Hz



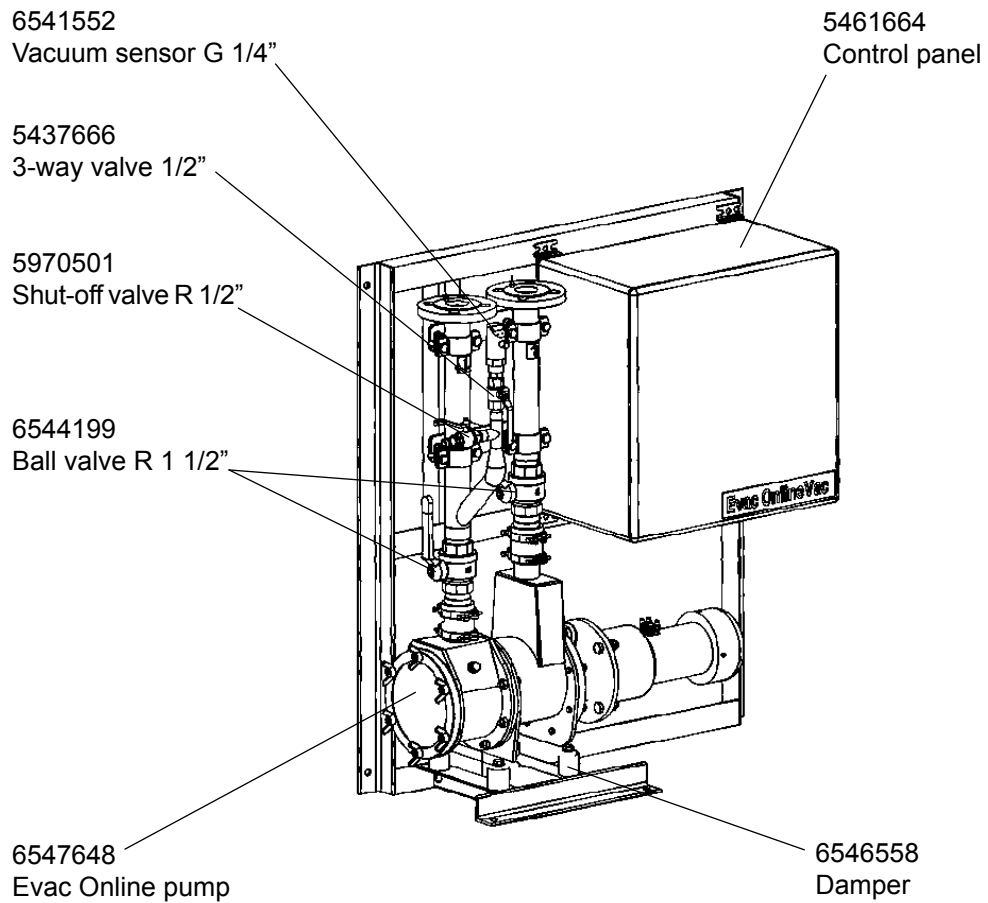
EVAC ONLINEVAC



[Spare parts](#)

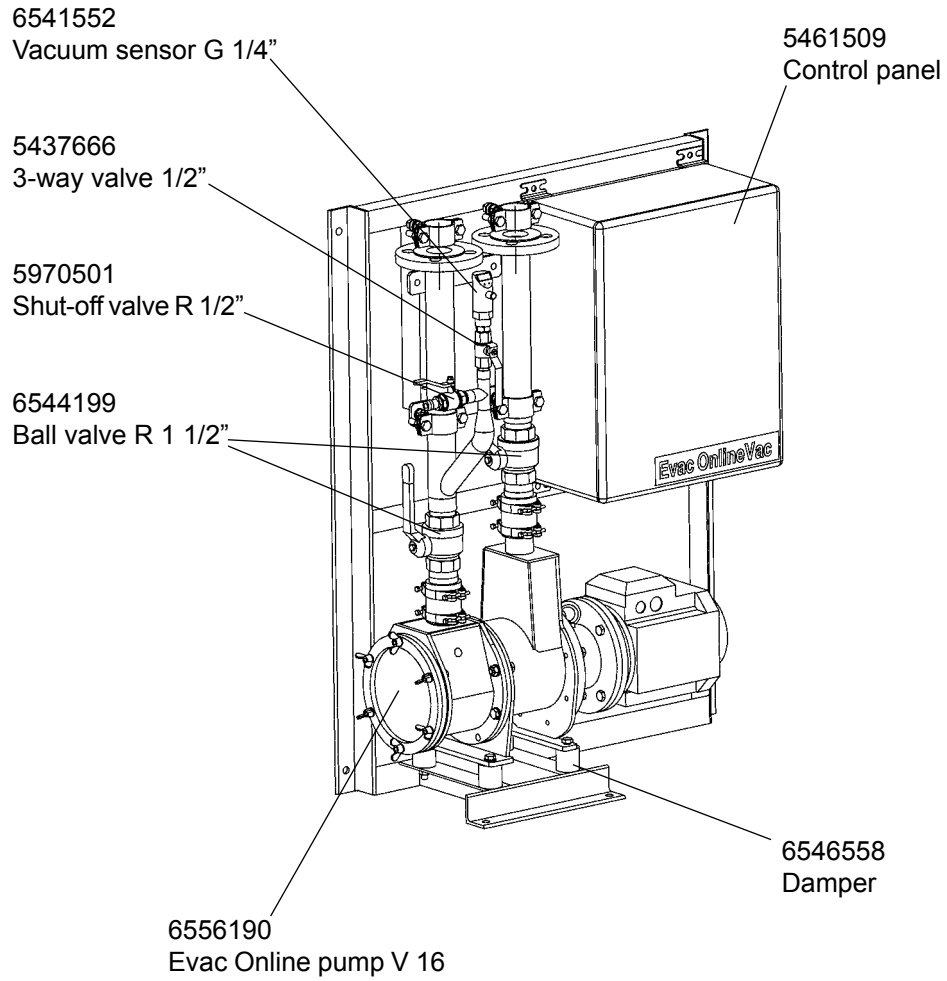
EVAC ONLINEVAC

6547655 EVAC ONLINEVAC 16, 24 V DC



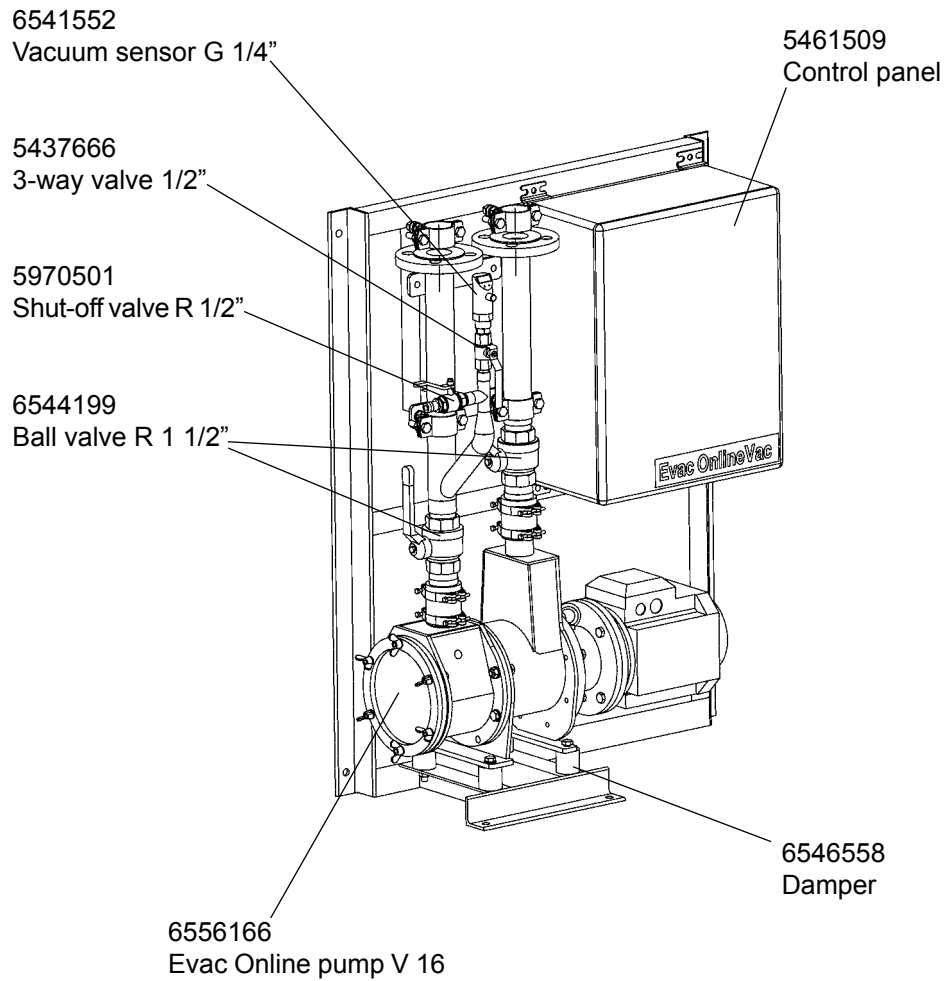
EVAC ONLINEVAC

6547682 EVAC ONLINEVAC 16, 3x380-420 V 50 Hz, 3x440-480 V 60 Hz



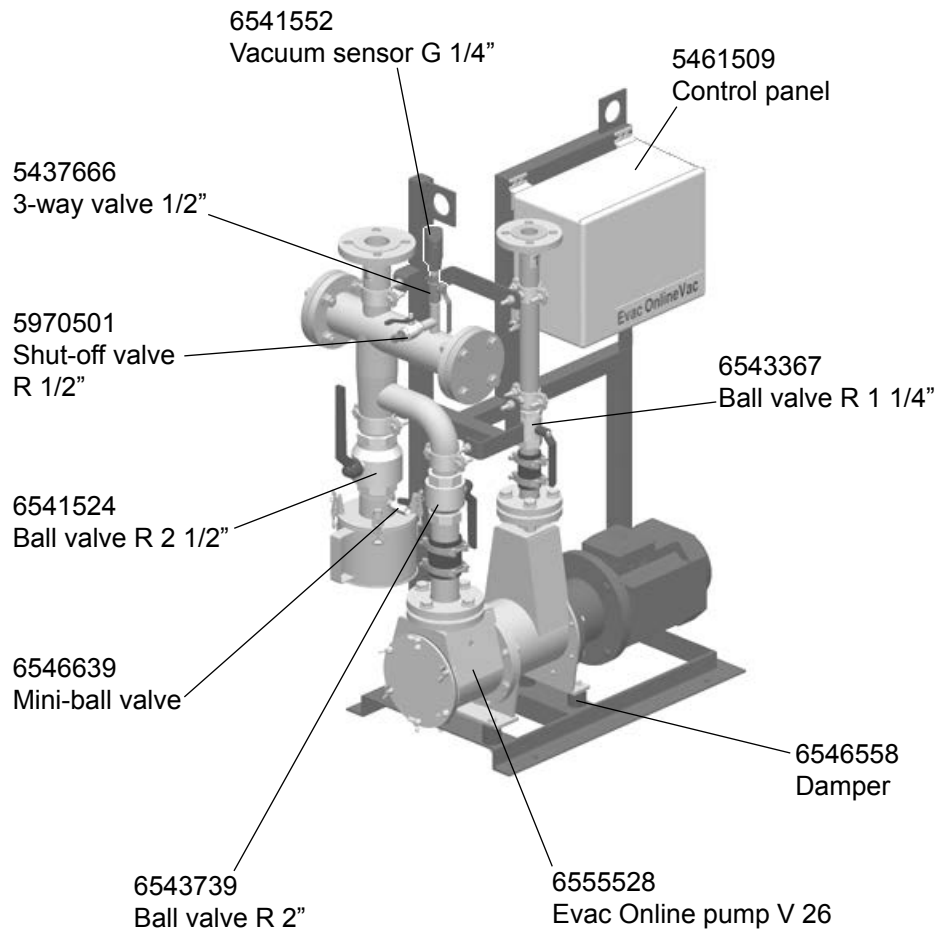
EVAC ONLINEVAC

6547683 EVAC ONLINEVAC 16, 3x690 V 60 Hz



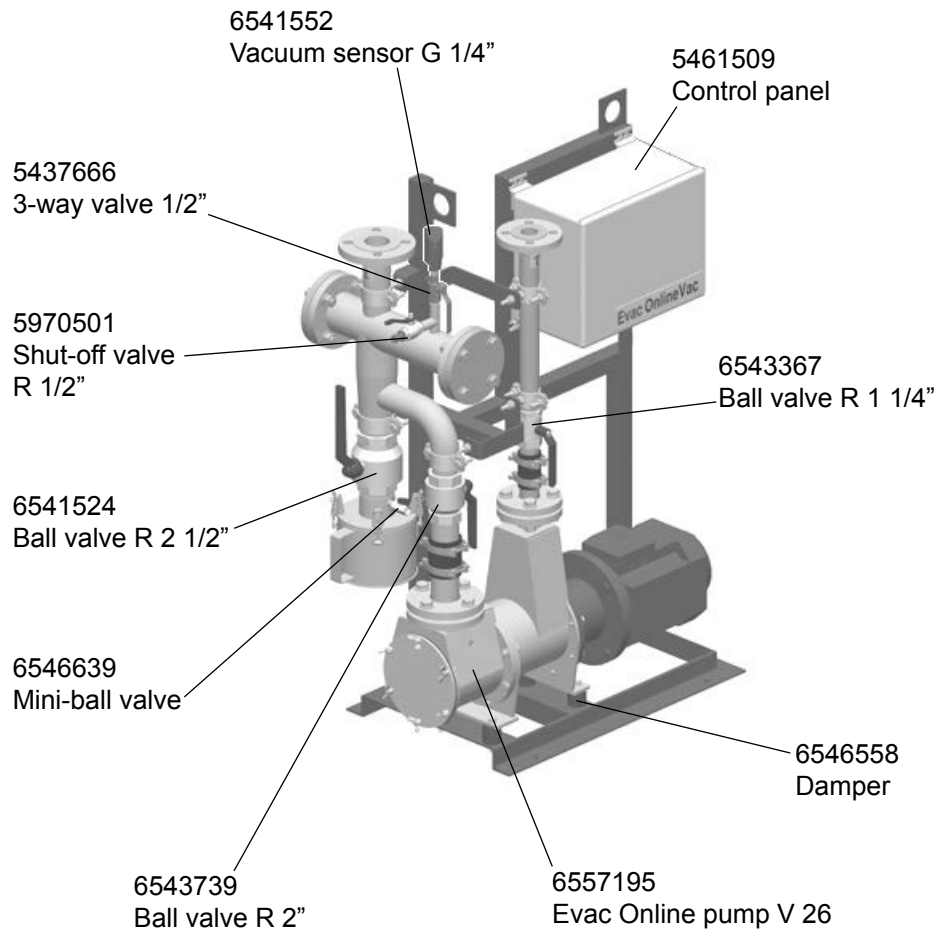
EVAC ONLINEVAC

6546717 EVAC ONLINEVAC 26, 3x380-420 V 50 Hz, 3x440-480 V 60 Hz



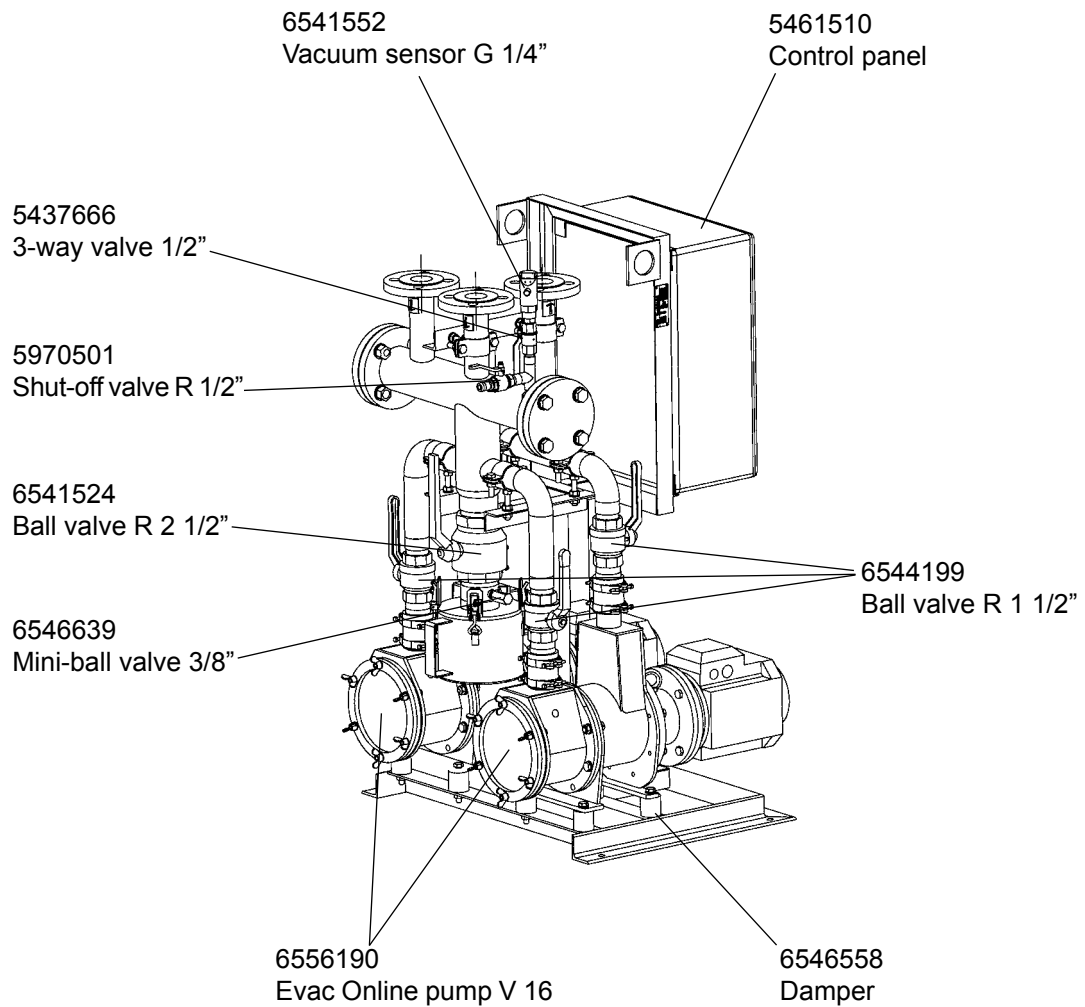
EVAC ONLINEVAC

6546718 EVAC ONLINEVAC 26, 3x690 V 60 Hz



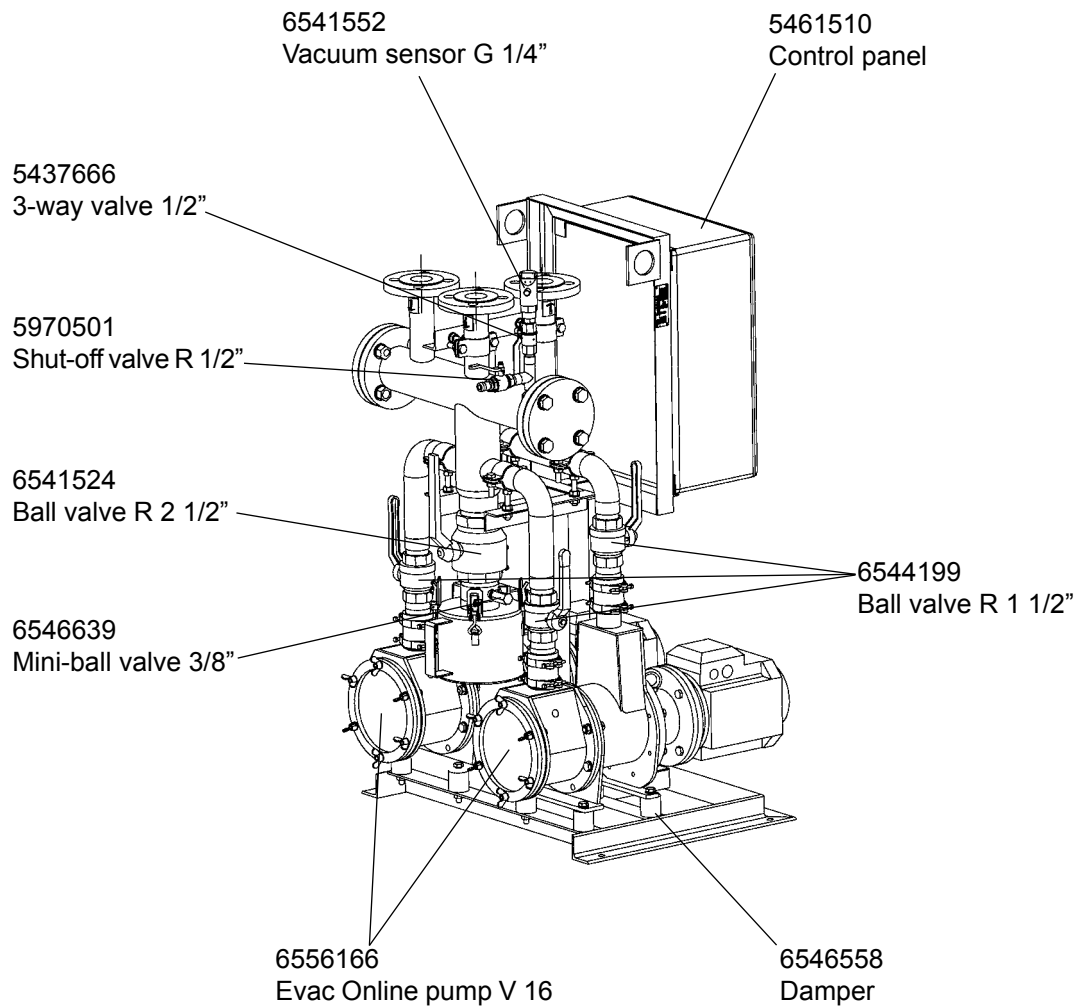
EVAC ONLINEVAC

6547684 EVAC ONLINEVAC 32, 3x380-420 V 50 Hz, 3x440-480 V 60 Hz



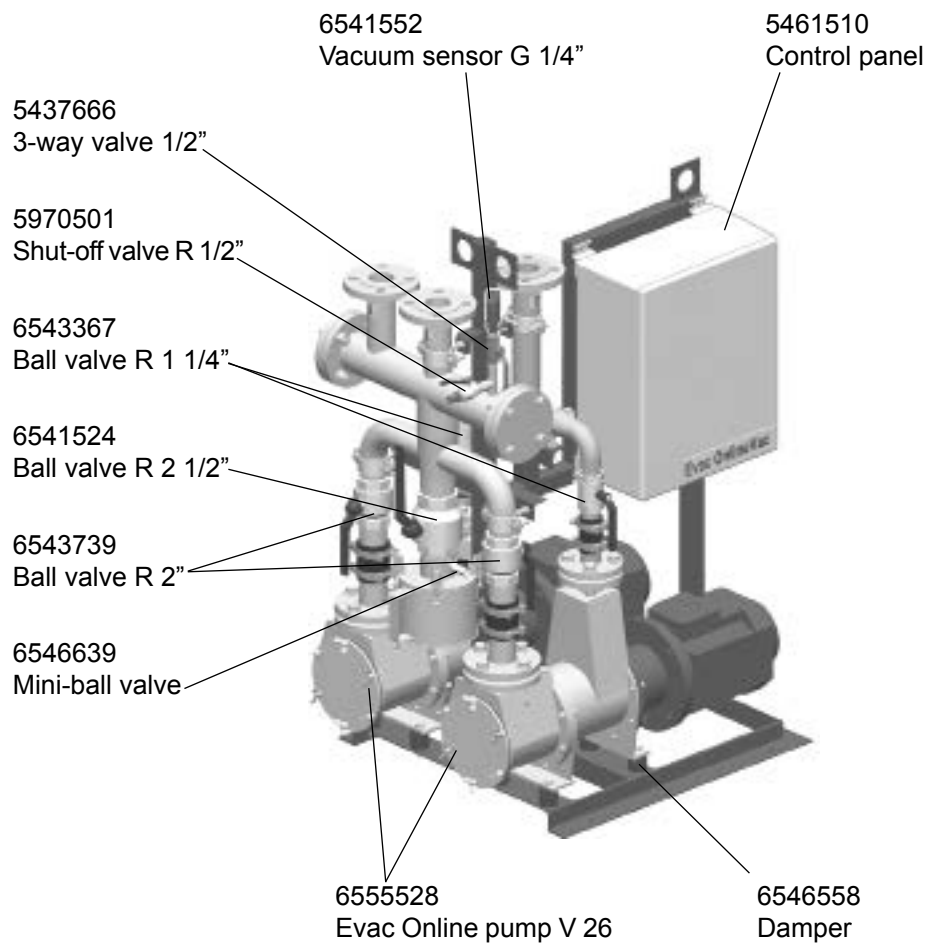
EVAC ONLINEVAC

6547685 EVAC ONLINEVAC 32, 3x690 V 60 Hz



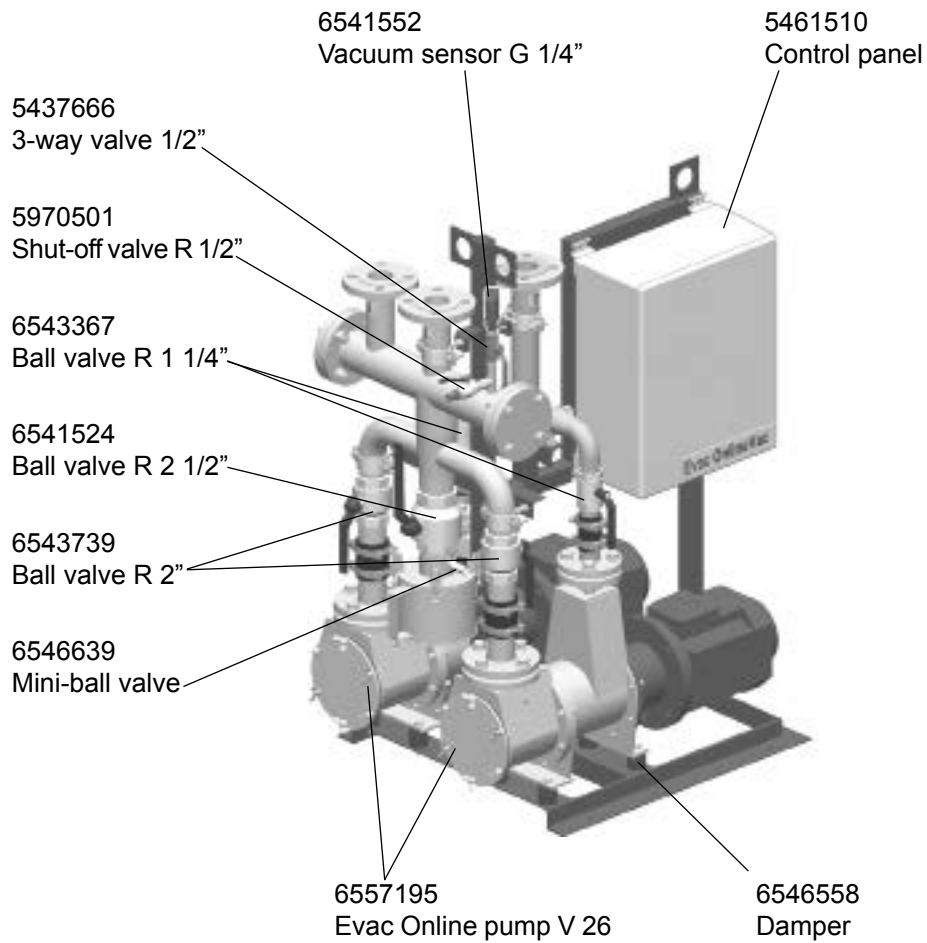
EVAC ONLINEVAC

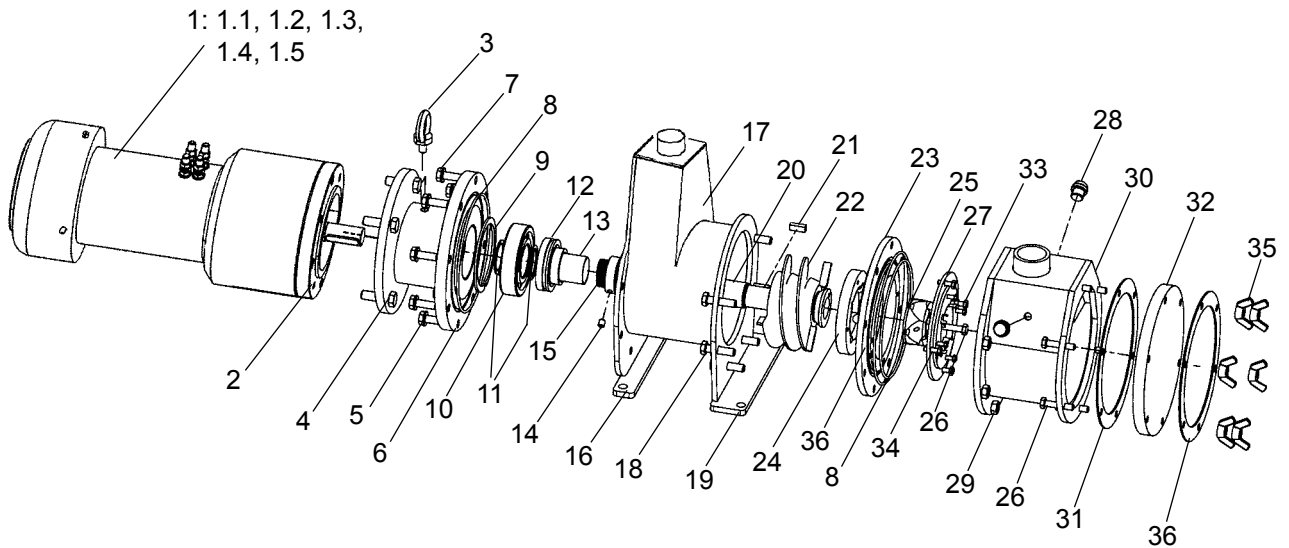
6546719 EVAC ONLINEVAC 52, 3x380-420 V 50 Hz, 3x440-480 V 60 Hz



EVAC ONLINEVAC

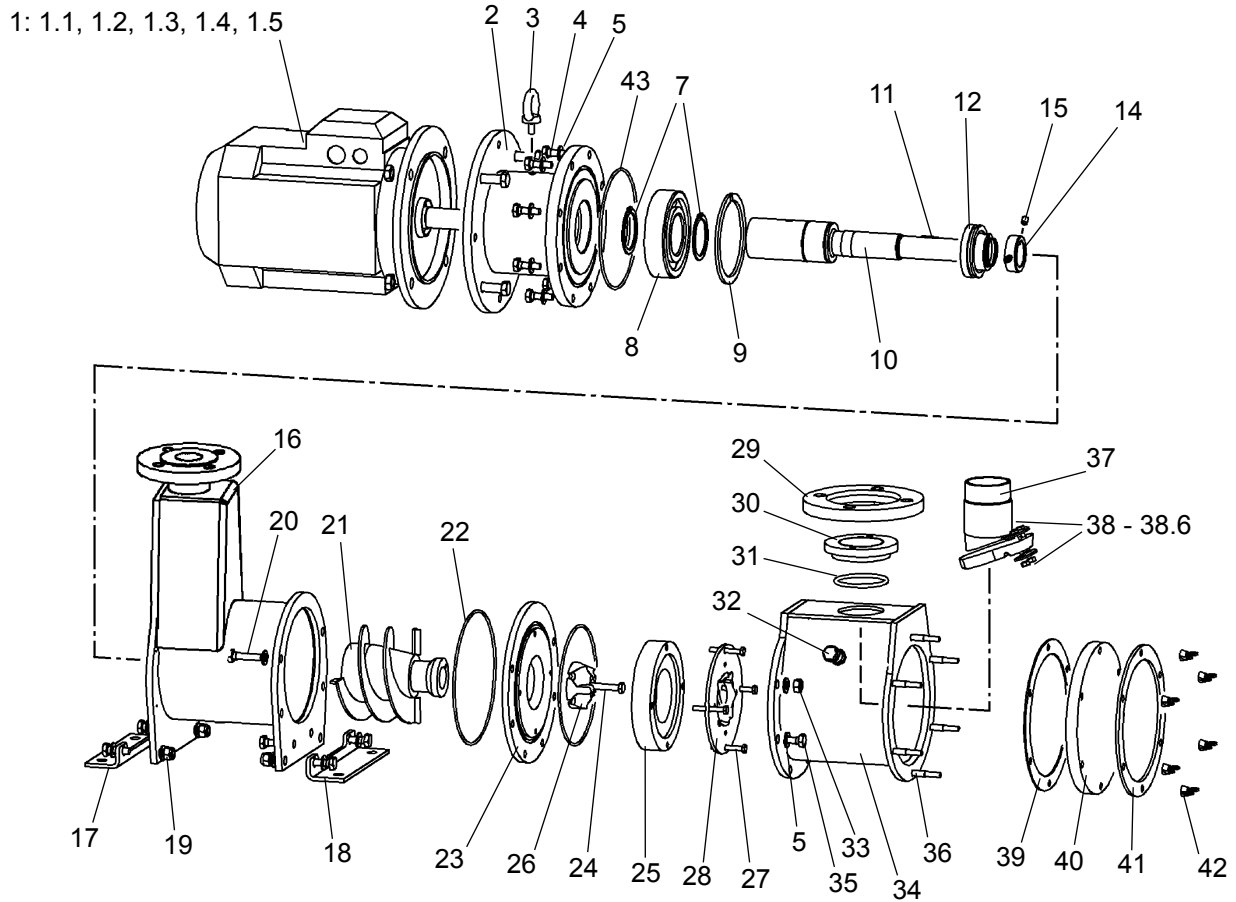
6546720 EVAC ONLINEVAC 52, 3x690 V 60 Hz



6547648 EVAC ONLINE PUMP V 16, 24 V DC


Item	Qty	Description	Part No.
1	1	Motor	-
1.1	1	Bearing, Drive end	-
1.2	1	Bearing, Non-Drive end	-
1.3	1	Shaft	-
1.4	1	Fan	-
1.5	1	Fan Cover	-
2	4	Nut M12	6554277
3	1	Eye Bolt M10x17	6554278
4	4	Bolt M12x40	6554279
5	8	Washer M10	6554280
6	1	Connection Flange	6548549
7	8	Bolt M10x30	6554281
8	2	O-Ring 160x3	6547043
9	1	Lock ring	6554282
10	1	Bearing	6549314
11	2	Lock Ring 42x1.75	6554283
12	1	Mechanical seal	6551985
13	1	Sleeve	6548540
14	2	Screw M8x10	6554284
15	1	Mechanical seal	6547044
16	1	Rear Mounting Plate	6548552

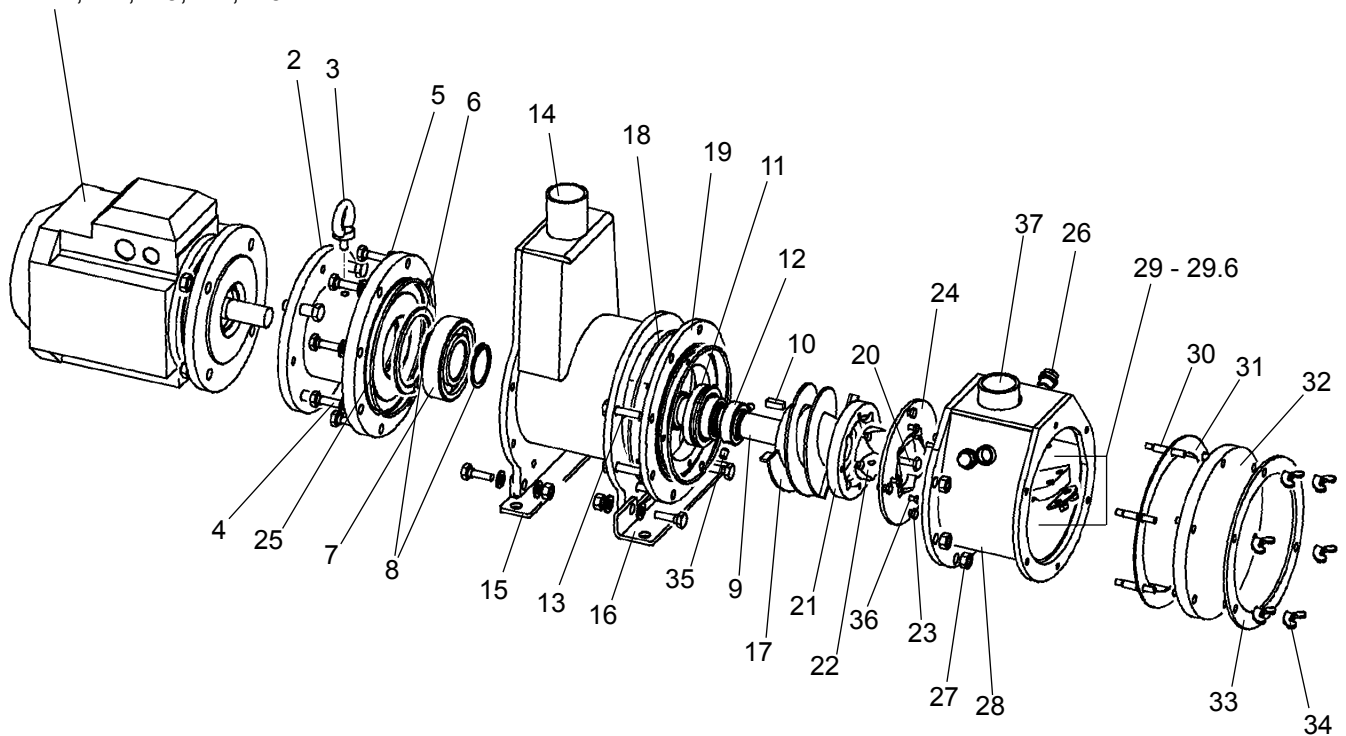
Item	Qty	Description	Part No.
17	1	Screw Housing	6549313
18	6	Bolt M10x40	6554285
19	1	Front Mounting Plate	6548553
20	1	Shaft	6548551
21	1	Key B8x7x22	6554286
22	1	Helical Screw	6548550
23	1	Spacer Plate	6748547
24	1	Inlet Flange	6549255
25	1	Macerator hub	6547049
26	7	Bolt M8x40	6554291
27	1	Macerator ring	6547050
28	2	Plug R 3/8"	6554288
29	6	Nut M10	6554289
30	1	Inlet Housing	6548544
31	1	Gasket	6547052
32	1	Transparent End Plate	6548545
33	4	Bolt M5x20	6549520
34	8	Bolt M10x30	6554281
35	6	Wing Nut M8	6554292
36	1	Support Ring	6548546

655528 EVAC ONLINE PUMP V 26, 380-420 V 50 Hz, 440-480 V 60 Hz


Item	Qty	Description	Part No.	Item	Qty	Description	Part No.
1	1	Motor	6558001	24	1	Bolt	-
1.1	1	Bearing, Drive end	5451480	25	1	Flange	6548539
1.2	1	Bearing, Non-Drive end	5451480	26	1	Macerator hub	6547049
1.3	1	Shaft	-	27	4	Bolt	-
1.4	1	Fan	6547040	28	1	Macerator ring	6547050
1.5	1	Fan Cover	6547041	29	1	Flange	6548535
2	1	Bearing house	6548538	30	1	Collar	6548534
3	1	Eye bolt	6554278	31	1	O-ring	-
4	12	Screw	6554281	32	2	Plug	6554288
5	24	Washer	6554280	33	2	Nut	6554289
7	2	Lock ring	-	34	1	Front housing	6548528
8	1	Bearing	6547042	35	4	Screw	-
9	1	Lock ring	6554282	36	6	Stud bolt	6554291
10	1	Shaft	6547055	37	1	Check valve	6548533
11	1	Key	6554286	38	1	Flap complete	5430675
12	1	Mechanical seal	6547044	38.1	2	Washer	-
14	1	Locking ring	6554671	38.2	1	Flap	-
15	1	Screw	6554284	38.3	1	Washer	-
16	1	Rotor housing	6551997	38.4	2	Bushing	-
17	1	Support foot	6555590	38.5	2	Nut	-
18	1	Support foot	6555589	38.6	2	Screw	-
19	4	Lock nut	-	39	1	Gasket	6547052
20	2	Screw	6554285	40	1	Transparent plate	6548545
21	1	Helical screw	6551993	41	1	Support ring	6548546
22	1	O-ring	6547048	42	6	Wing nut	6554292
23	1	Front flange	6548527	43	2	O-ring	6547043

6556166 EVAC ONLINE PUMP V 16, 3×690 V 60 Hz

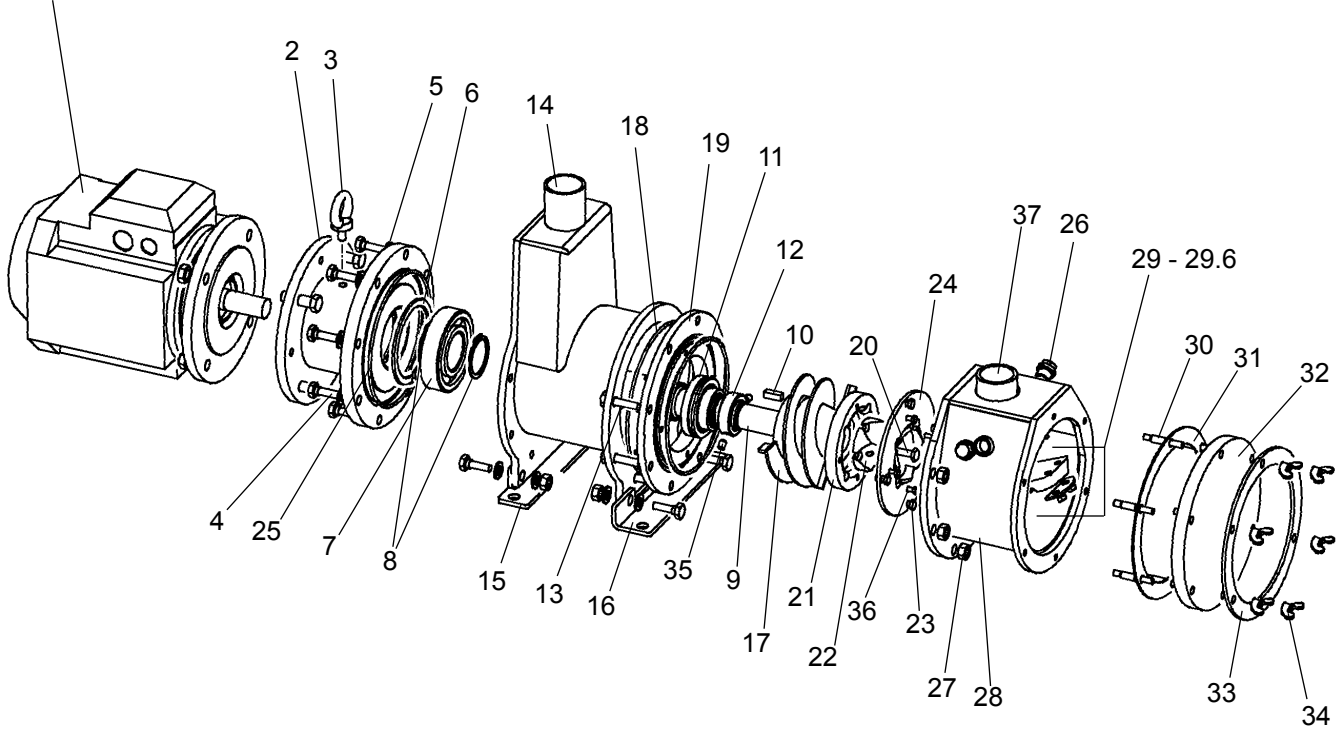
1: 1.1, 1.2, 1.3, 1.4, 1.5



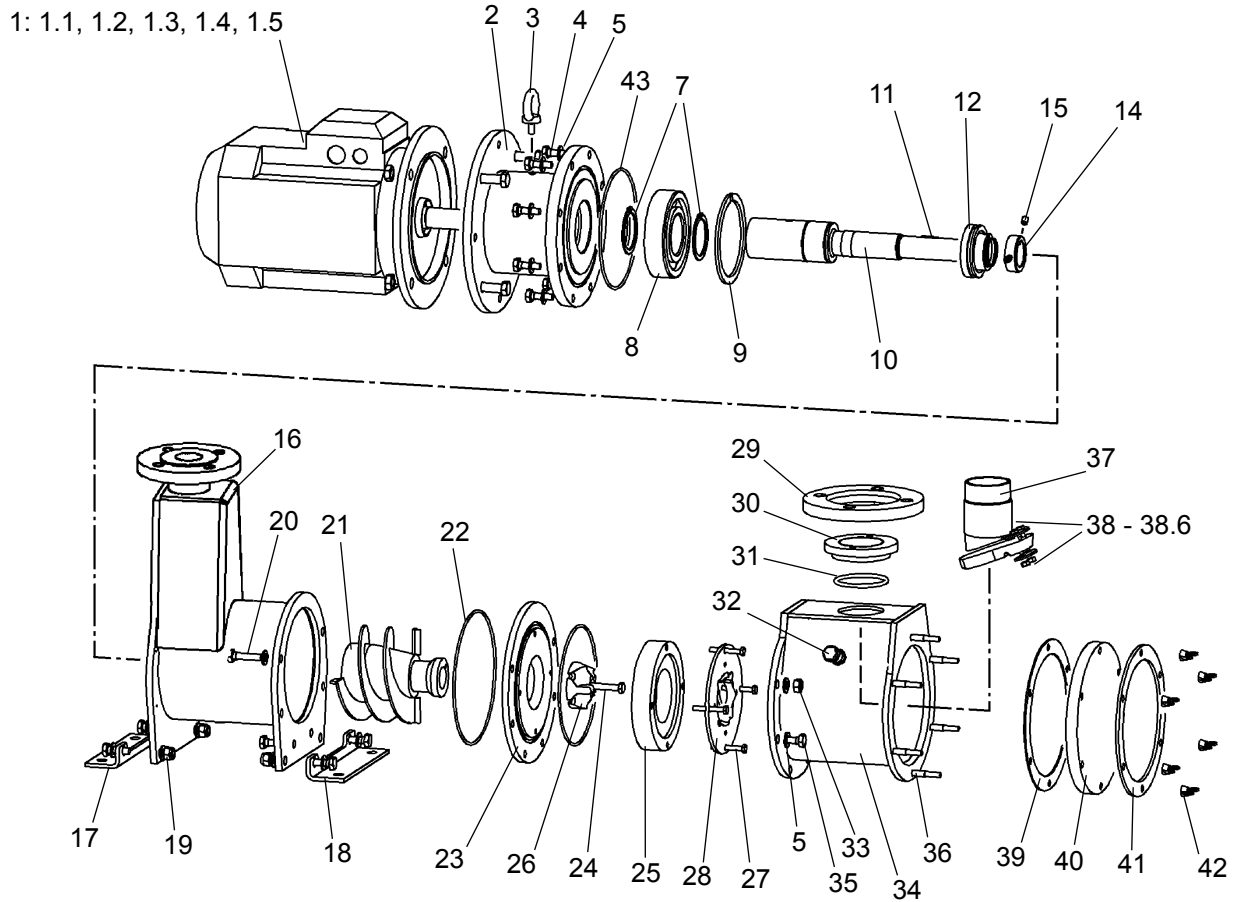
Item	Qty	Description	Part No.	Item	Qty	Description	Part No.
1	1	Motor	6547691	20	1	Bolt	6554290
1.1	1	Bearing, Drive end	6550317	21	1	Macerator hub	6549255
1.2	1	Bearing, Non-Drive end	6551110	22	1	Grinder	6547049
1.3	1	Shaft	-	23	4	Bolt	6554287
1.4	1	Fan	6555404	24	1	Macerator ring	6547050
1.5	1	Fan cover	6555405	25	2	O-ring	6547043
2	1	Connection flange	6548549	26	2	Plug	6554288
3	1	Eye bolt	6554278	27	10	Nut	6554289
4	12	Screw	6554281	28	1	Inlet housing	6552846
5	16	Washer	6554280	29	1	Flap complete	5430675
6	1	Lock ring	6554282	29.1	2	Washer	-
7	1	Bearing	6549314	29.2	1	Flap	-
8	2	Lock ring	6554283	29.3	2	Washer	-
9	1	Shaft	6548551	29.4	2	Bushing	-
10	1	Key	6554286	29.5	2	Nut	-
11	1	Mechanical seal	6547044	29.6	2	Screw	-
12	1	Locking ring	6554671	30	6	Stud bolt	6554291
13	6	Screw	6554285	31	1	Gasket	6547052
14	1	Screw housing	6551999	32	1	Transparent plate	6548545
15	1	Support foot	6556767	33	1	Support ring	6548546
16	1	Support foot	6556768	34	6	Wing nut	6554292
17	1	Helical screw	6551189	35	2	Screw	6554284
18	1	O-ring	6547048	36	4	Bolt	6549520
19	1	Spacer plate	6548547	37	1	Check valve	6548533

6556190 EVAC ONLINE PUMP V 16, 380-420 V 50 Hz, 440-480 V 60 Hz

1: 1.1, 1.2, 1.3, 1.4, 1.5

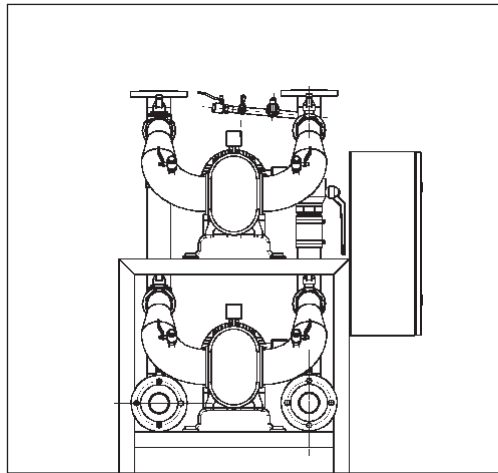


Item	Qty	Description	Part No.	Item	Qty	Description	Part No.
1	1	Motor	6547690	20	1	Bolt	6554290
1.1	1	Bearing, Drive end	6550317	21	1	Inlet flange	6549255
1.2	1	Bearing, Non-Drive end	6551110	22	1	Grinder	6547049
1.3	1	Shaft	-	23	4	Bolt	6554287
1.4	1	Fan	6555404	24	1	Macerator ring	6547050
1.5	1	Fan cover	6555405	25	2	O-ring	6547043
2	1	Connection flange	6548549	26	2	Plug	6554288
3	1	Eye bolt	6554278	27	10	Nut	6554289
4	12	Screw	6554281	28	1	Inlet housing	6552846
5	16	Washer	6554280	29	1	Flap complete	5430675
6	1	Lock ring	6554282	29.1	2	Washer	-
7	1	Bearing	6549314	29.2	1	Flap	-
8	2	Lock ring	6554283	29.3	2	Washer	-
9	1	Shaft	6548551	29.4	2	Bushing	-
10	1	Key	6554286	29.5	2	Nut	-
11	1	Mechanical seal	6547044	29.6	2	Screw	-
12	1	Locking ring	6554671	30	6	Stud bolt	6554291
13	6	Screw	6554285	31	1	Gasket	6547052
14	1	Screw housing	6551999	32	1	Transparent plate	6547053
15	1	Support foot	6556767	33	1	Support ring	6548546
16	1	Support foot	6556768	34	6	Wing nut	6554292
17	1	Helical screw	6553302	35	2	Screw	6554284
18	1	O-ring	6547048	36	4	Bolt	6549520
19	1	Spacer plate	6548547	37	1	Check valve	6548533

6557195 EVAC ONLINE PUMP V 26, 690 V 60 Hz


Item	Qty	Description	Part No.	Item	Qty	Description	Part No.
1	1	Motor	6558013	24	1	Bolt	-
1.1	1	Bearing, Drive end	5451480	25	1	Flange	6548539
1.2	1	Bearing, Non-Drive end	5451480	26	1	Macerator hub	6547049
1.3	1	Shaft	-	27	4	Bolt	-
1.4	1	Fan	6547040	28	1	Macerator ring	6547050
1.5	1	Fan Cover	6547041	29	1	Flange	6548535
2	1	Bearing house	6548538	30	1	Collar	6548534
3	1	Eye bolt	6554278	31	1	O-ring	-
4	12	Screw	6554281	32	2	Plug	6554288
5	24	Washer	6554280	33	2	Nut	6554289
7	2	Lock ring	-	34	1	Front housing	6548528
8	1	Bearing	6547042	35	4	Screw	-
9	1	Lock ring	6554282	36	6	Stud bolt	6554291
10	1	Shaft	6547055	37	1	Check valve	6548533
11	1	Key	6554286	38	1	Flap complete	5430675
12	1	Mechanical seal	6547044	38.1	2	Washer	-
14	1	Locking ring	6554671	38.2	1	Flap	-
15	1	Screw	6554284	38.3	1	Washer	-
16	1	Rotor housing	6551997	38.4	2	Bushing	-
17	1	Support foot	6555590	38.5	2	Nut	-
18	1	Support foot	6555589	38.6	2	Screw	-
19	4	Lock nut	-	39	1	Gasket	6547052
20	2	Screw	6554285	40	1	Transparent plate	6548545
21	1	Helical screw	6551993	41	1	Support ring	6548546
22	1	O-ring	6547048	42	6	Wing nut	6554292
23	1	Front flange	6548527	43	2	O-ring	6547043

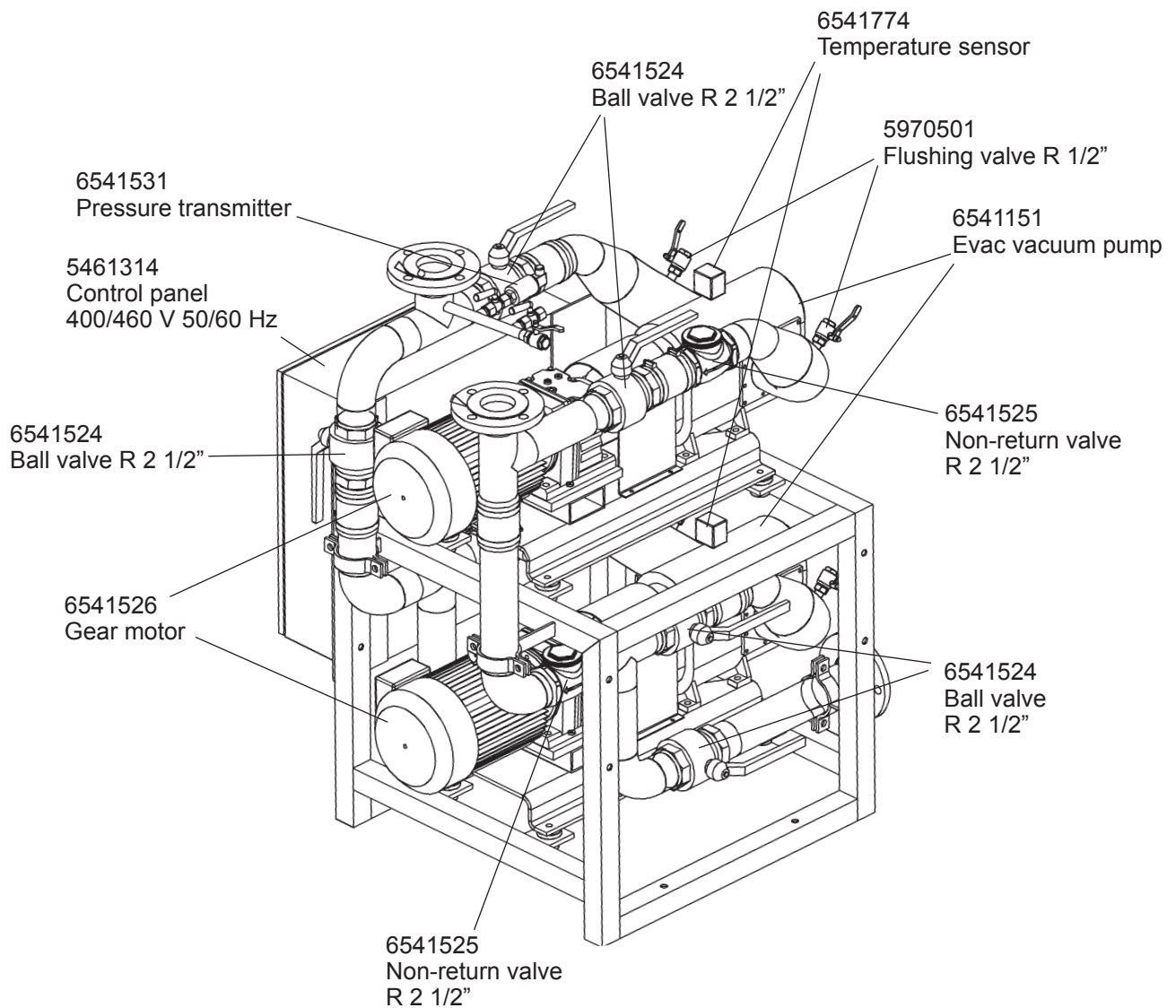
EVAC ON-LINE UNIT



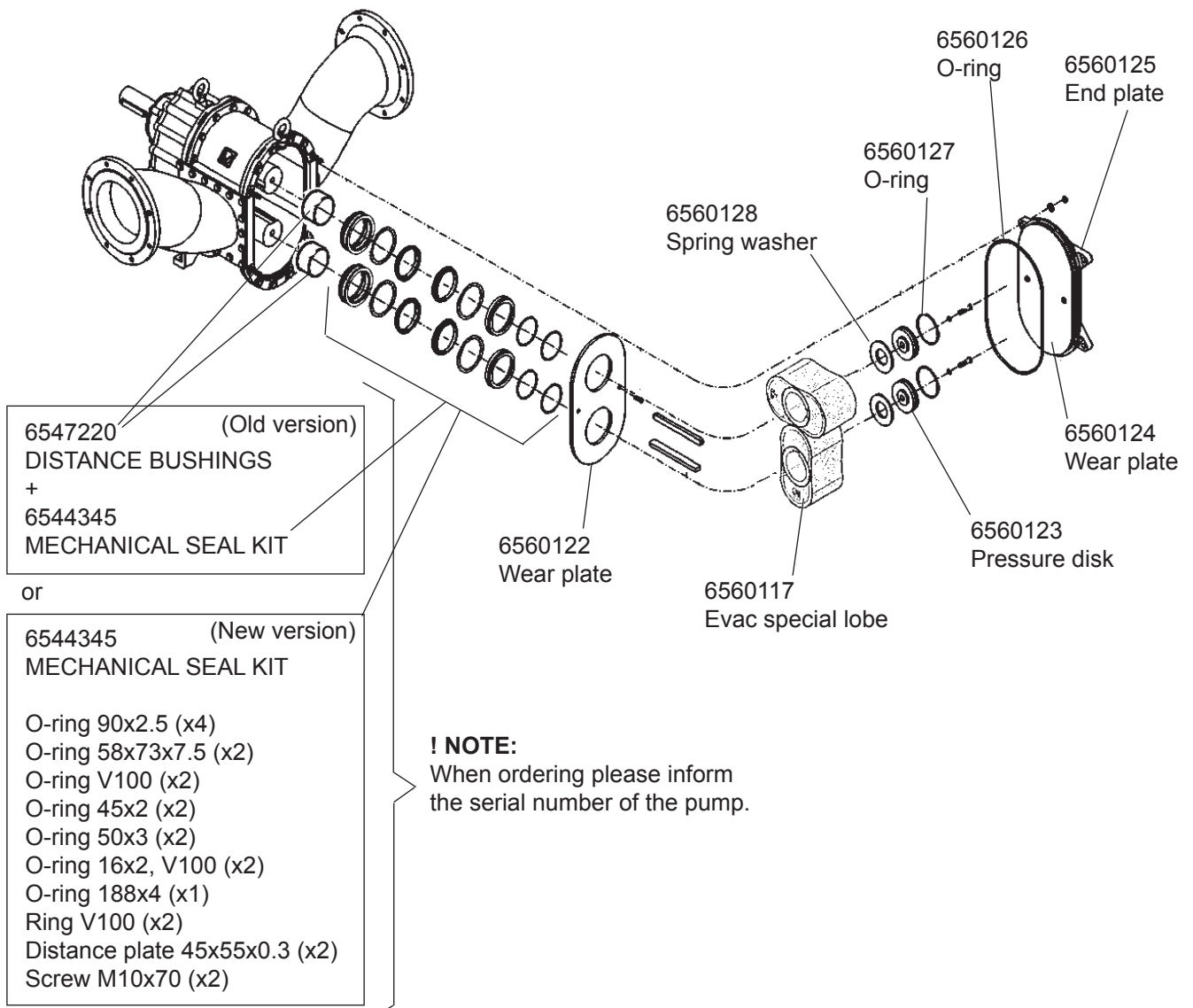
[Spare parts](#)

COLLECTING UNITS

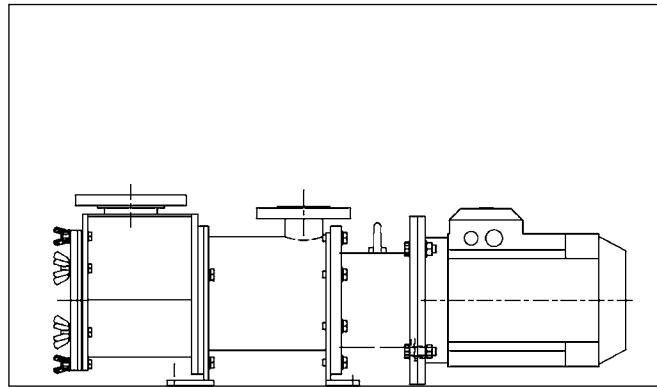
6542271 ON-LINE, MANUAL DISCHARGE



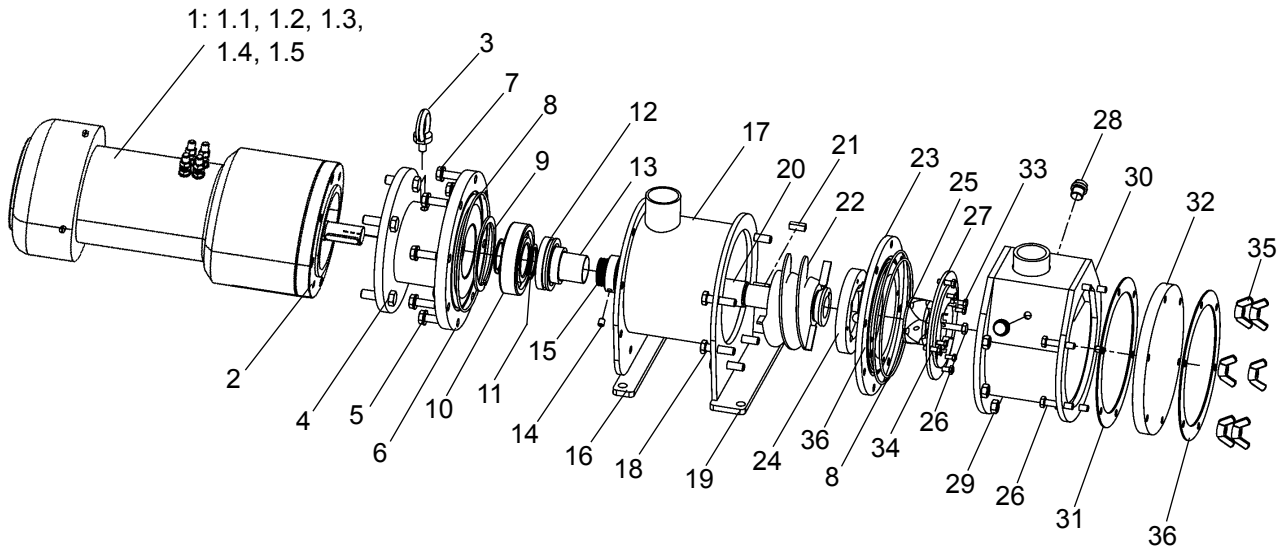
6541151 EVAC VACUUM PUMP



EVAC ONLINE PUMPS

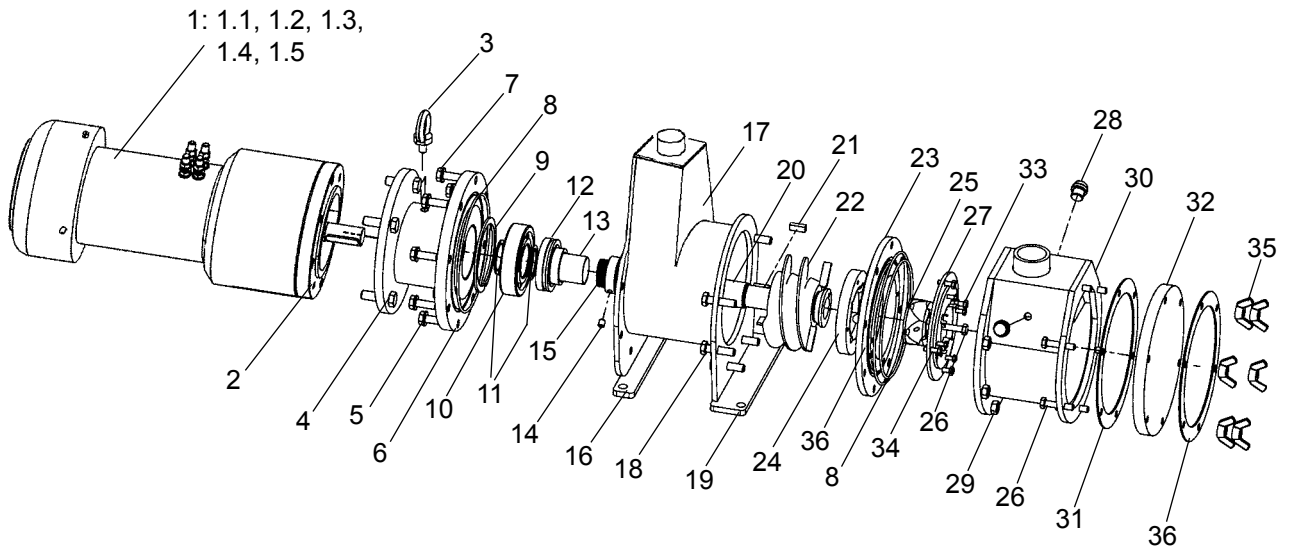


[Spare parts](#)

6549312 EVAC ONLINE PUMP E 16, 24 V DC


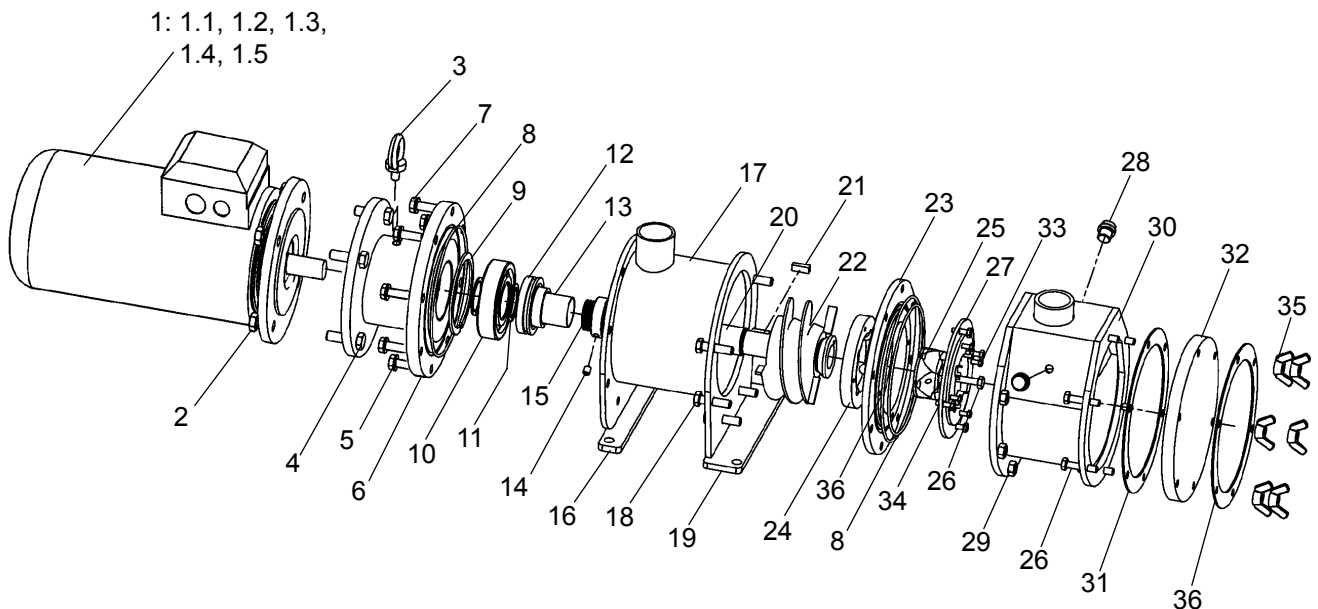
Item	Qty	Description	Part No.
1	1	Motor	
1.1	1	Bearing, Drive end	
1.2	1	Bearing, Non-Drive end	
1.3	1	Shaft	
1.4	1	Fan	
1.5	1	Fan Cover	
2	4	6-Nut M12	
3	1	Eye Bolt M10x17	
4	4	Bolt M12x40	
5	8	Washer M10	
6	1	Connection Flange	6548549
7	8	Bolt M10x30	
8	2	O-Ring 160x3	6547043
9	1	J120-DIN472	
10	1	Bearing	6549314
11	2	Lock Ring 42x1.75	
12	1	MAMEC 35	
13	1	Sleeve	6548540
14	2	Screw M8x10	
15	1	Mechanical Seal	6547044
16	1	Rear Mounting Plate	6548552

Item	Qty	Description	Part No.
17	1	Screw Housing	6548548
18	6	Bolt M10x40	
19	1	Front Mounting Plate	6548553
20	1	Shaft	6548551
21	1	Key B8x7x22	
22	1	Helical Screw	6548550
23	1	Spacer Plate	6748547
24	1	Inlet Flange	6549255
25	1	Grinder	6547049
26	7	Bolt M8x40	
27	1	Grinder Ring	6547050
28	2	Plug R3/8"	
29	6	Nut M10	
30	1	Inlet Housing	6548544
31	1	Gasket	6547052
32	1	Transparent End Plate	6548545
33	4	Bolt M5x20	6549520
34	8	Bolt M10x30	
35	6	Wing Nut M8	
36	1	Support Ring	6548546

6547648 EVAC ONLINE PUMP V 16, 24 V DC


Item	Qty	Description	Part No.
1	1	Motor	-
1.1	1	Bearing, Drive end	-
1.2	1	Bearing, Non-Drive end	-
1.3	1	Shaft	-
1.4	1	Fan	-
1.5	1	Fan Cover	-
2	4	Nut M12	6554277
3	1	Eye Bolt M10x17	6554278
4	4	Bolt M12x40	6554279
5	8	Washer M10	6554280
6	1	Connection Flange	6548549
7	8	Bolt M10x30	6554281
8	2	O-Ring 160x3	6547043
9	1	Lock ring	6554282
10	1	Bearing	6549314
11	2	Lock Ring 42x1.75	6554283
12	1	Mechanical seal	6551985
13	1	Sleeve	6548540
14	2	Screw M8x10	6554284
15	1	Mechanical seal	6547044
16	1	Rear Mounting Plate	6548552

Item	Qty	Description	Part No.
17	1	Screw Housing	6549313
18	6	Bolt M10x40	6554285
19	1	Front Mounting Plate	6548553
20	1	Shaft	6548551
21	1	Key B8x7x22	6554286
22	1	Helical Screw	6548550
23	1	Spacer Plate	6748547
24	1	Inlet Flange	6549255
25	1	Macerator hub	6547049
26	7	Bolt M8x40	6554291
27	1	Macerator ring	6547050
28	2	Plug R 3/8"	6554288
29	6	Nut M10	6554289
30	1	Inlet Housing	6548544
31	1	Gasket	6547052
32	1	Transparent End Plate	6548545
33	4	Bolt M5x20	6549520
34	8	Bolt M10x30	6554281
35	6	Wing Nut M8	6554292
36	1	Support Ring	6548546

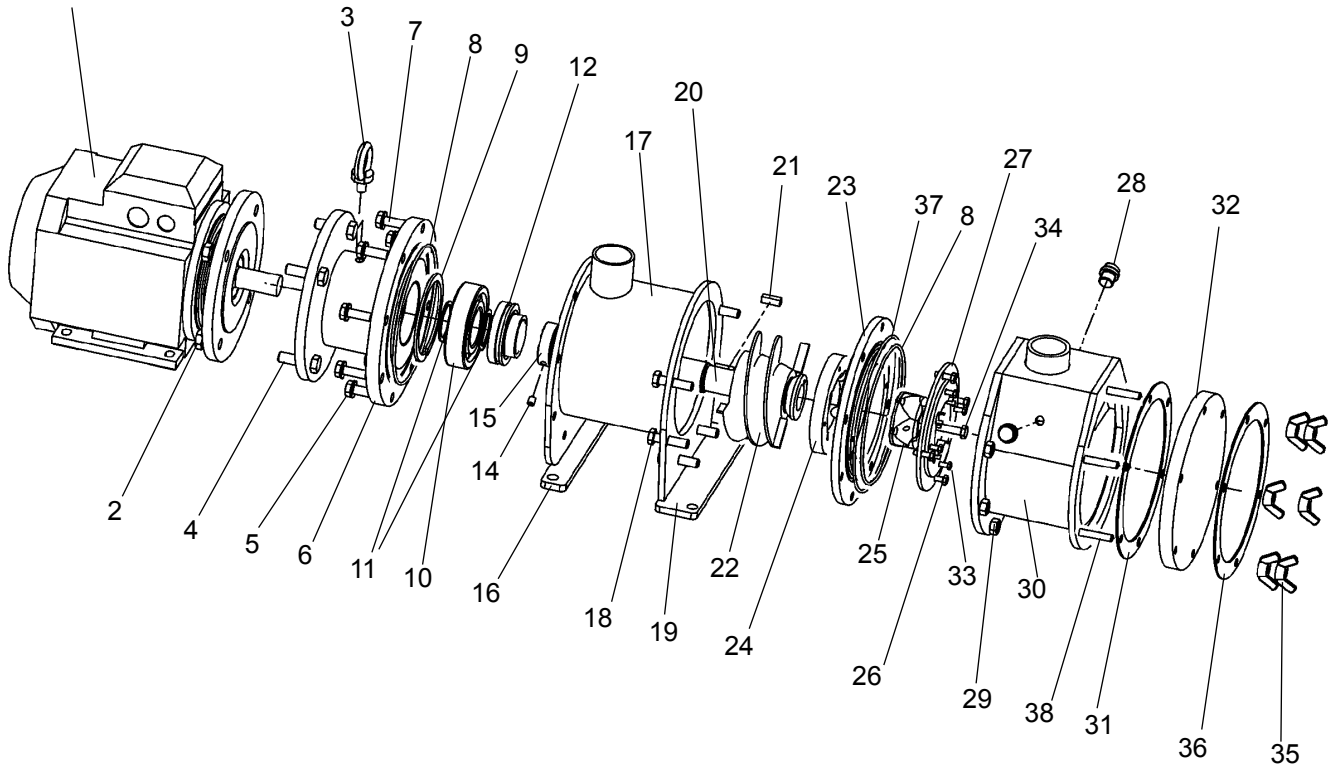
6549311 EVAC ONLINE PUMP E 16, 1x230 V 50 Hz, 1-PHASE


Item	Qty	Description	Part No.
1	1	Motor	
1.1	1	Bearing, Drive end	
1.2	1	Bearing, Non-Drive end	
1.3	1	Shaft	
1.4	1	Fan	
1.5	1	Fan Cover	
2	4	Nut M12	6554277
3	1	Eye Bolt M10x17	6554278
4	4	Bolt M12x40	6554279
5	8	Washer M10	6554280
6	1	Connection Flange	6548549
7	8	Bolt M10x30	6554282
8	2	O-Ring 160x3	6547043
9	1	Lock ring	6554282
10	1	Bearing	6549314
11	2	Lock Ring 42x1.75	6554671
12	1	Mechanical Seal	6547044
13	1	Sleeve	6548540
14	2	Screw M8x10	6554284
15	1	Mechanical Seal	6547044
16	1	Rear Mounting Plate	6548552

Item	Qty	Description	Part No.
17	1	Screw Housing	6548548
18	6	Bolt M10x40	6554285
19	1	Front Mounting Plate	6548553
20	1	Shaft	6548551
21	1	Key B8x7x22	6554286
22	1	Helical Screw	6548550
23	1	Spacer Plate	6748547
24	1	Inlet Flange	6549255
25	1	Macerator hub	6547049
26	7	Bolt M8x40	6554291
27	1	Macerator ring	6547050
28	2	Plug R 3/8"	6554288
29	6	Nut M10	6554289
30	1	Inlet Housing	6548544
31	1	Gasket	6547052
32	1	Transparent End Plate	6548545
33	4	Bolt M5x20	6549520
34	8	Bolt M10x30	6554281
35	6	Wing Nut M8	6554292
36	1	Support Ring	6548546

6547688 EVAC ONLINE PUMP E 16, 3x400/460 V 50 Hz, (not sold as a single item)
P/N 6547688 is replaced by P/N 655935

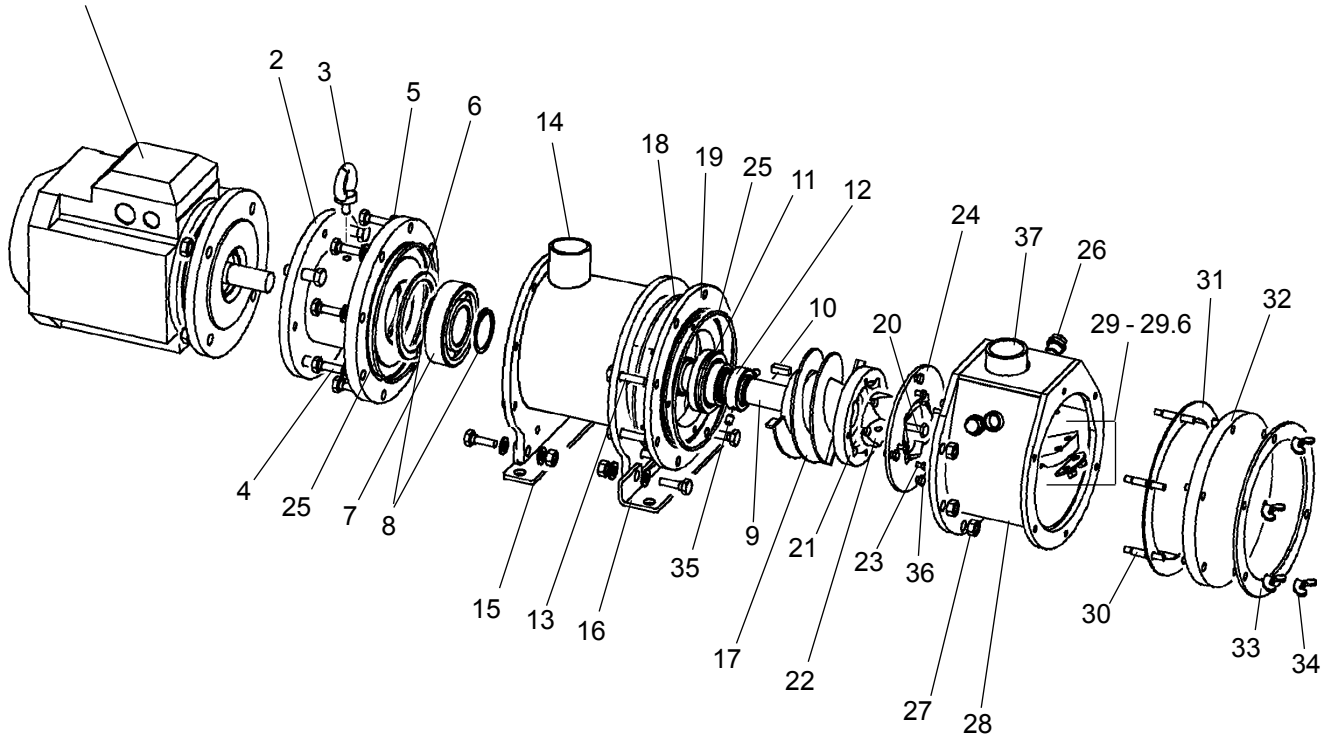
1: 1.1, 1.2, 1.3, 1.4, 1.5



Item	Qty	Description	Part No.	Item	Qty	Description	Part No.
1	1	Motor	6547690	20	1	Shaft	6548551
1.1	1	Bearing, Drive end	6550317	21	1	Key B8x7x22	6554286
1.2	1	Bearing, Non-Drive end	6551110	22	1	Helical Screw	6551189
1.3	1	Shaft	-	23	1	Spacer Plate	6548547
1.4	1	Fan	6555404	24	1	Inlet Flange	6549255
1.5	1	Fan Cover	6555405	25	1	Macerator hub	6547049
2	4	6-Nut M12	6554277	26	7	Bolt M6x12	6554287
3	1	Eye Bolt M10x17	6554278	27	1	Macerator ring	6547050
4	4	Bolt M12x40	6554279	28	2	Plug R 3/8"	6554288
5	8	Washer M10	6554280	29	6	Nut M10	6554289
6	1	Connection Flange	6548549	30	1	Inlet Housing	6548544
7	8	Bolt M10x30	6554281	31	1	Gasket	6547052
8	2	O-Ring 160x3	6547043	32	1	Transparent End Plate	6548545
9	1	Lock ring	6554282	33	4	Bolt M5x20	6549520
10	1	Bearing	6549314	34	1	Bolt M8x35	6554290
11	2	Lock Ring 42x1.75	6554283	35	6	Wing Nut M8	6554292
12	1	Mechanical Seal	6547044	36	1	Support Ring	6548546
14	2	Screw M8x10	6554284	37	1	O-ring 179.5x3	6547048
15	1	Locking Ring	6554671	38	6	Stud bolt	6554291
16	1	Rear Mounting Plate	6548552				
17	1	Screw Housing	6548548				
18	6	Bolt M10x40	6554285				
19	1	Front Mounting Plate	6548553				

6555935 EVAC ONLINE PUMP E 16, 3×380-420 V 50 Hz, 440-480 V 60 Hz

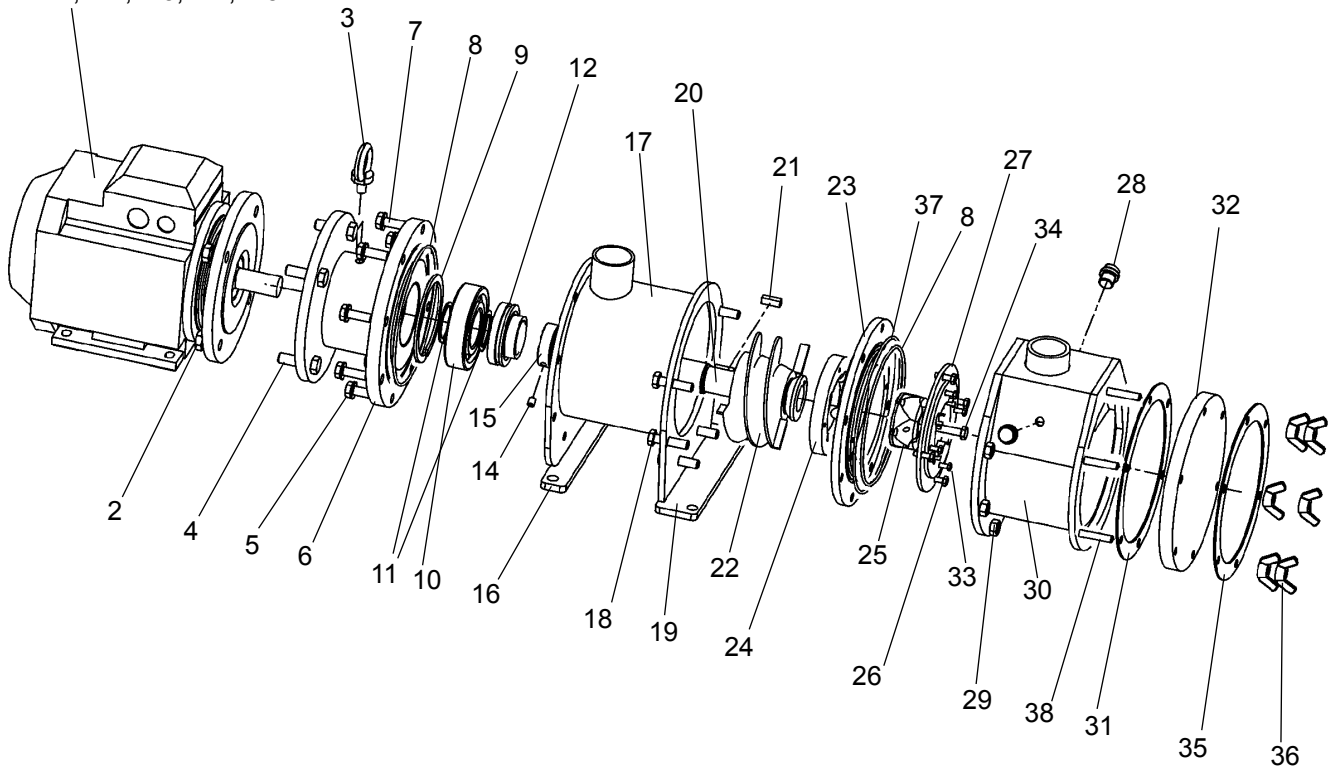
1: 1.1, 1.2, 1.3, 1.4, 1.5



Item	Qty	Description	Part No.	Item	Qty	Description	Part No.
1	1	Motor	6547690	20	1	Bolt	6554290
1.1	1	Bearing, Drive end	6550317	21	1	Macerator hub	6549255
1.2	1	Bearing, Non-Drive end	6551110	22	1	Grinder	6547049
1.3	1	Shaft	-	23	4	Bolt	6549520
1.4	1	Fan	6555404	24	1	Macerastor ring	6547050
1.5	1	Fan Cover	6555405	25	2	O-ring	6547043
2	1	Connection flange	6548549	26	2	Plug	6554288
3	1	Eye bolt	6554278	27	10	Nut	6554289
4	12	Screw	6554281	28	1	Inlet housing	6552846
5	16	Washer	6554280	29	1	Flap complete	5430675
6	1	Lock ring	6554282	29.1	2	Washer	-
7	1	Bearing	6549314	29.2	1	Flap	-
8	2	Lock ring	6554283	29.3	2	Washer	-
9	1	Shaft	6548551	29.4	2	Bushing	-
10	1	Key	6554286	29.5	2	Nut	-
11	1	Mechanical seal	6547044	29.6	2	Screw	-
12	1	Locking ring	6554671	30	6	Stud bolt	6554291
13	6	Screw	6554285	31	1	Gasket	6547052
14	1	Screw housing	6555897	32	1	Transparent plate	6548545
15	1	Support foot	6555874	33	1	Support ring	6548546
16	1	Support foot	6555873	34	6	Wing nut	6554292
17	1	Helical screw	6551189	35	2	Screw	6554284
18	1	O-ring	6547048	36	4	Bolt	6554287
19	1	Spacer plate	6548547	37	1	Check valve	6548533

6547689 EVAC ONLINE PUMP E 16, 3x690 V 60 Hz, (not sold as a single item)
P/N 6547689 is replaced by P/N 6556172

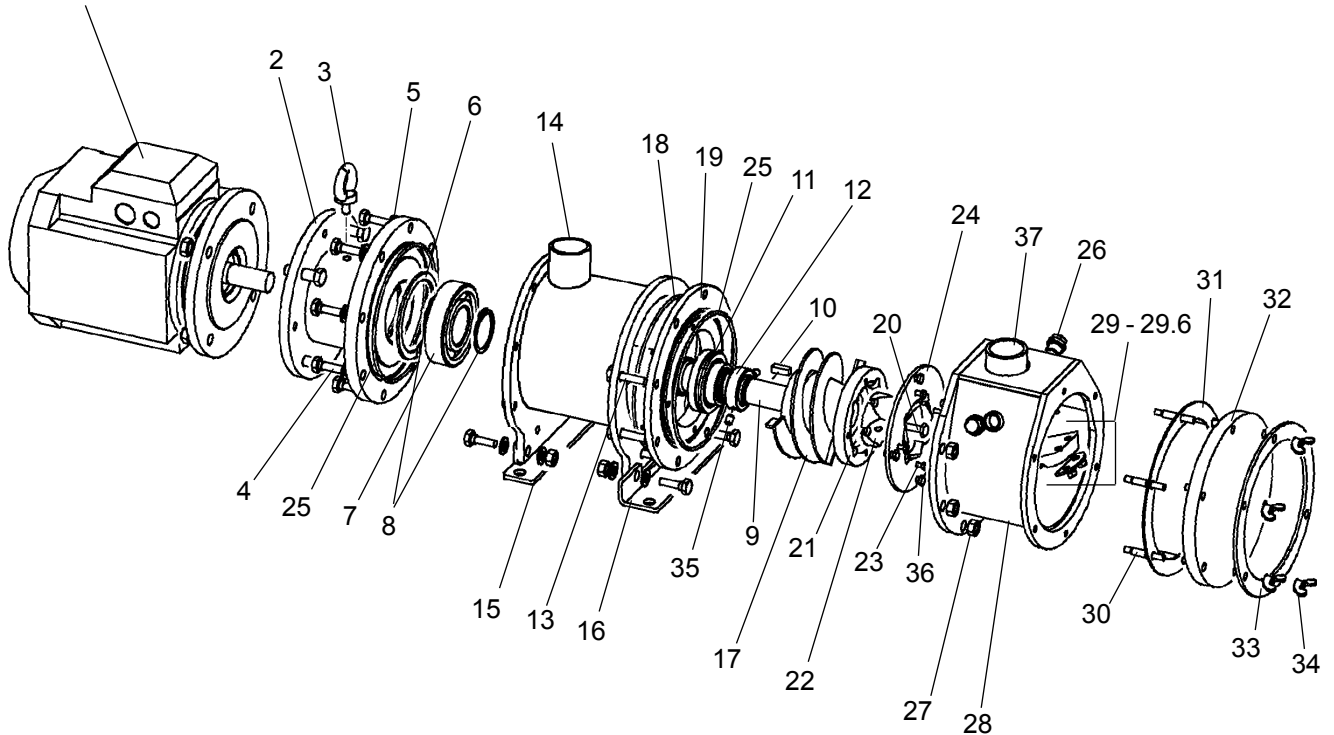
1: 1.1, 1.2, 1.3, 1.4, 1.5



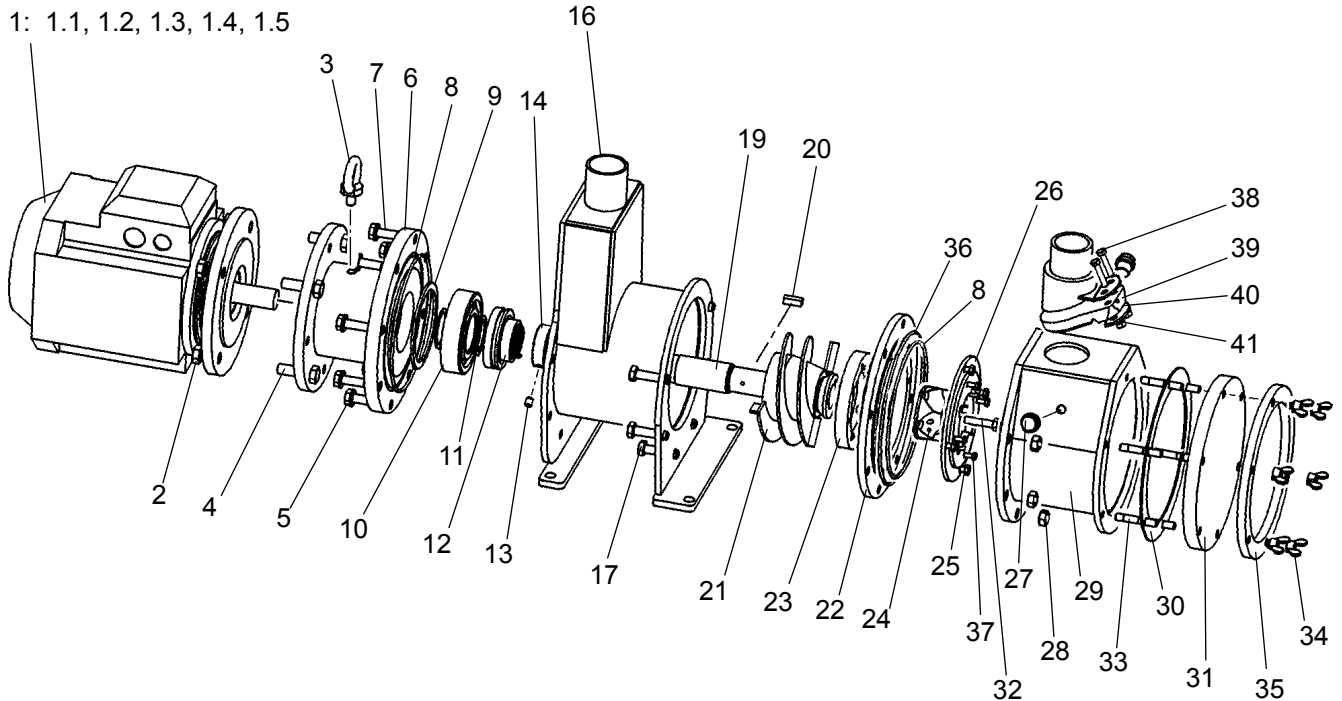
Item	Qty	Description	Part No.	Item	Qty	Description	Part No.
1	1	Motor	6547691	20	1	Shaft	6548551
1.1	1	Bearing, Drive end	-	21	1	Key B8x7x22	6554286
1.2	1	Bearing, Non-Drive end	-	22	1	Helical Screw	6551189
1.3	1	Shaft	-	23	1	Spacer Plate	6548547
1.4	1	Fan	-	24	1	Inlet Flange	6549255
1.5	1	Fan Cover	-	25	1	Grinder	6547049
2	4	6-Nut M12	6554277	26	7	Bolt M6x12	6554287
3	1	Eye Bolt M10x17	6554278	27	1	Grinder Ring	6547050
4	4	Bolt M12x40	6554279	28	2	Plug R 3/8"	6554288
5	8	Washer M10	6554280	29	6	Nut M10	6554289
6	1	Connection Flange	6548549	30	1	Inlet Housing	6548544
7	8	Bolt M10x30	6554281	31	1	Gasket	6547052
8	2	O-Ring 160x3	6547043	32	1	Transparent End Plate	6548545
9	1	J120-DIN472	6554282	33	4	Bolt M5x20	6549520
10	1	Bearing	6549314	34	1	Bolt M8x35	6554290
11	2	Lock Ring 42x1.75	6554283	35	6	Wing Nut M8	6554292
12	1	Mechanical seal	6547044	36	1	Support Ring	6548546
14	2	Screw M8x10	6554284	37	1	O-ring 179.5x3	6547048
15	1	Locking Ring	6554671	38	6	Stud bolt	6554291
16	1	Rear Mounting Plate	6548552				
17	1	Screw Housing	6548548				
18	6	Bolt M10x40	6554285				
19	1	Front Mounting Plate	6548553				

6556172 EVAC ONLINE PUMP E 16, 3×690 V 60 Hz

1: 1.1, 1.2, 1.3, 1.4, 1.5



Item	Qty	Description	Part No.	Item	Qty	Description	Part No.
1	1	Motor	6547691	20	1	Bolt	6554290
1.1	1	Bearing, Drive end	6550317	21	1	Macerator hub	6549255
1.2	1	Bearing, Non-Drive end	6551110	22	1	Grinder	6547049
1.3	1	Shaft	-	23	4	Bolt	6549520
1.4	1	Fan	6555404	24	1	Macerastor ring	6547050
1.5	1	Fan Cover	6555405	25	2	O-ring	6547043
2	1	Connection flange	6548549	26	2	Plug	6554288
3	1	Eye bolt	6554278	27	10	Nut	6554289
4	12	Screw	6554281	28	1	Inlet housing	6552846
5	16	Washer	6554280	29	1	Flap complete	5430675
6	1	Lock ring	6554282	29.1	2	Washer	-
7	1	Bearing	6549314	29.2	1	Flap	-
8	2	Lock ring	6554283	29.3	2	Washer	-
9	1	Shaft	6548551	29.4	2	Bushing	-
10	1	Key	6554286	29.5	2	Nut	-
11	1	Mechanical seal	6547044	29.6	2	Screw	-
12	1	Locking ring	6554671	30	6	Stud bolt	6554291
13	6	Screw	6554285	31	1	Gasket	6547052
14	1	Screw housing	6555897	32	1	Transparent plate	6548545
15	1	Support foot	6555874	33	1	Support ring	6548546
16	1	Support foot	6555873	34	6	Wing nut	6554292
17	1	Helical screw	6551189	35	2	Screw	6554284
18	1	O-ring	6547048	36	4	Bolt	6554287
19	1	Spacer plate	6548547	37	1	Check valve	6548533

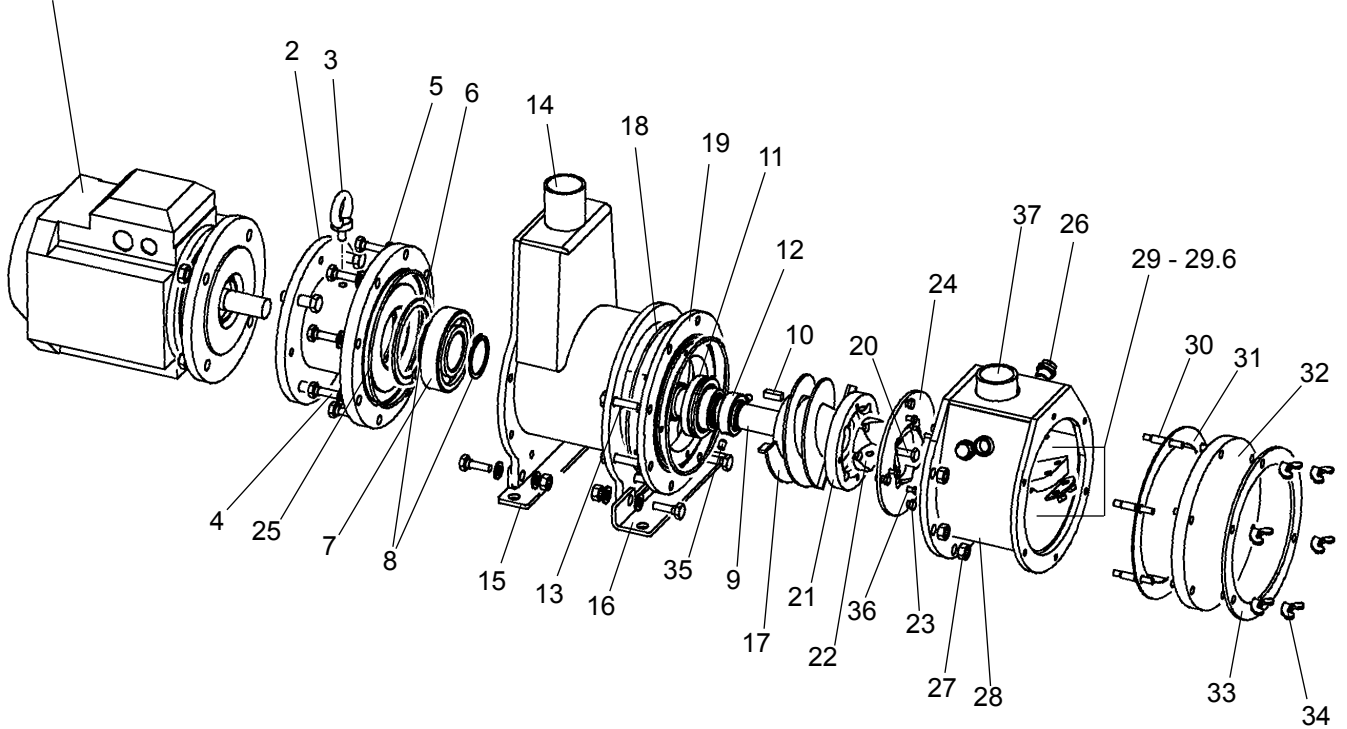
6547686 EVAC ONLINE PUMP V 16, 3x380-420 V 50 Hz, 3x440-480 V 60 Hz, (not sold as a single item)
P/N 6547686 is replaced by P/N 6556190


Item	Qty	Description	Part No.
1	1	Motor	6554295
1.1	1	Bearing, drive end	6555402
1.2	1	Bearing, non-drive end	6555403
1.3	1	Shaft	-
1.4	1	Fan	6555404
1.5	1	Fan cover	6555405
2	4	6-nut M12	6554277
3	1	Eye bolt M10x17	6554278
4	4	Bolt M12x40	6554279
5	8	Washer M10	6554280
6	1	Connection flange	6548549
7	8	Bolt M10x30	6554281
8	2	O-ring 160x3	6547043
9	1	J120-DIN472	6554282
10	1	Bearing	6549314
11	2	Lock ring 42x1.75	6554283
12	1	Mechanical seal	6547044
13	2	Screw M8x10	6554284
14	1	Lock ring	6554671
16	1	Screw housing	6551999
17	6	Bolt M10x40	6554285
19	1	Shaft	6548551
20	1	Key B8x7x22	6554286
21	1	Helical screw	6553302
22	1	Spacer plate	6548547
23	1	Inlet flange	6549255

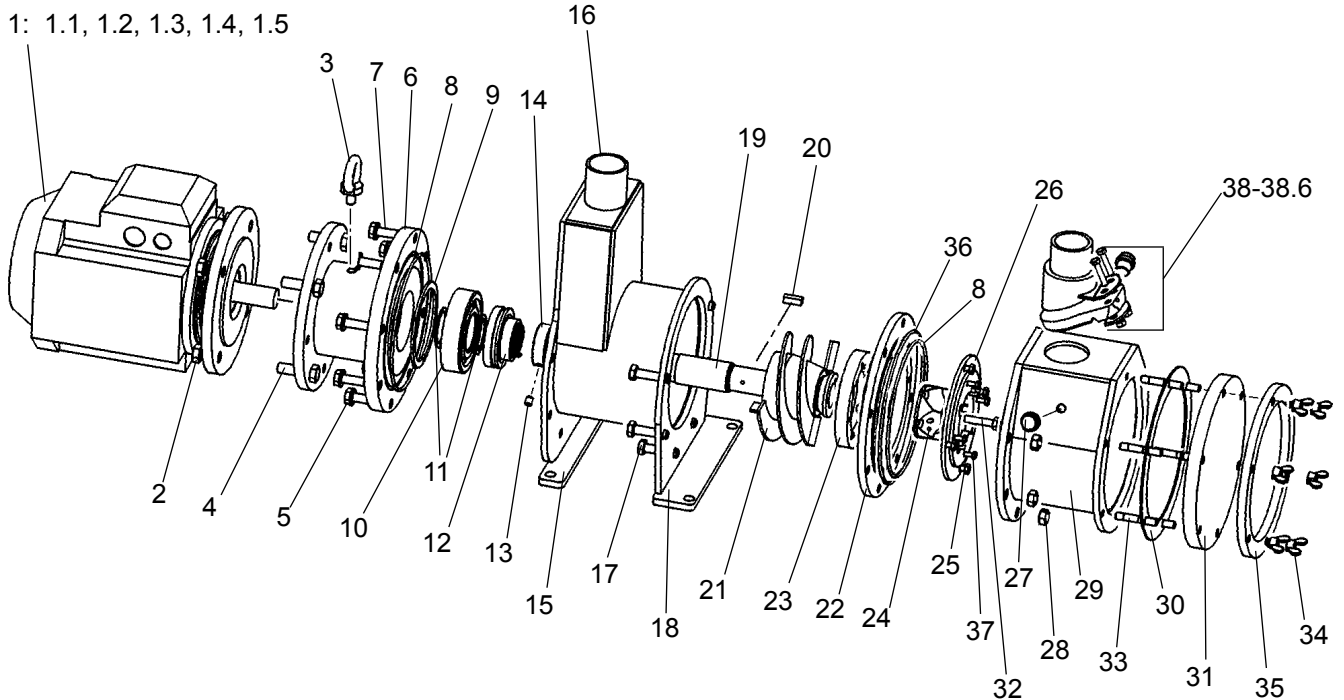
Item	Qty	Description	Part No.
24	1	Grinder	6547049
25	4	Bolt M6x12	6554287
26	1	Grinder ring	6547050
27	2	Plug R 3/8"	6554288
28	6	Nut M10	6554289
29	1	Inlet housing	6552846
30	1	Gasket	6547052
31	1	Transparent end plate	6547053
32	4	Bolt M8x35	6554290
33	6	Stud bolt M8x40	6554291
34	6	Wing nut M8	6554292
35	1	Support ring	6548546
36	1	O-ring	6547048
37	4	Bolt M5x20	6549520
38	2	Screw M6x30	6554293
39	1	Flap	5430670
40	1	Support of flap	6552847
41	2	Nut M6	6554294

6556190 EVAC ONLINE PUMP V 16, 380-420 V 50 Hz, 440-480 V 60 Hz

1: 1.1, 1.2, 1.3, 1.4, 1.5



Item	Qty	Description	Part No.	Item	Qty	Description	Part No.
1	1	Motor	6547690	20	1	Bolt	6554290
1.1	1	Bearing, Drive end	6550317	21	1	Inlet flange	6549255
1.2	1	Bearing, Non-Drive end	6551110	22	1	Grinder	6547049
1.3	1	Shaft	-	23	4	Bolt	6554287
1.4	1	Fan	6555404	24	1	Macerator ring	6547050
1.5	1	Fan cover	6555405	25	2	O-ring	6547043
2	1	Connection flange	6548549	26	2	Plug	6554288
3	1	Eye bolt	6554278	27	10	Nut	6554289
4	12	Screw	6554281	28	1	Inlet housing	6552846
5	16	Washer	6554280	29	1	Flap complete	5430675
6	1	Lock ring	6554282	29.1	2	Washer	-
7	1	Bearing	6549314	29.2	1	Flap	-
8	2	Lock ring	6554283	29.3	2	Washer	-
9	1	Shaft	6548551	29.4	2	Bushing	-
10	1	Key	6554286	29.5	2	Nut	-
11	1	Mechanical seal	6547044	29.6	2	Screw	-
12	1	Locking ring	6554671	30	6	Stud bolt	6554291
13	6	Screw	6554285	31	1	Gasket	6547052
14	1	Screw housing	6551999	32	1	Transparent plate	6547053
15	1	Support foot	6556767	33	1	Support ring	6548546
16	1	Support foot	6556768	34	6	Wing nut	6554292
17	1	Helical screw	6553302	35	2	Screw	6554284
18	1	O-ring	6547048	36	4	Bolt	6549520
19	1	Spacer plate	6548547	37	1	Check valve	6548533

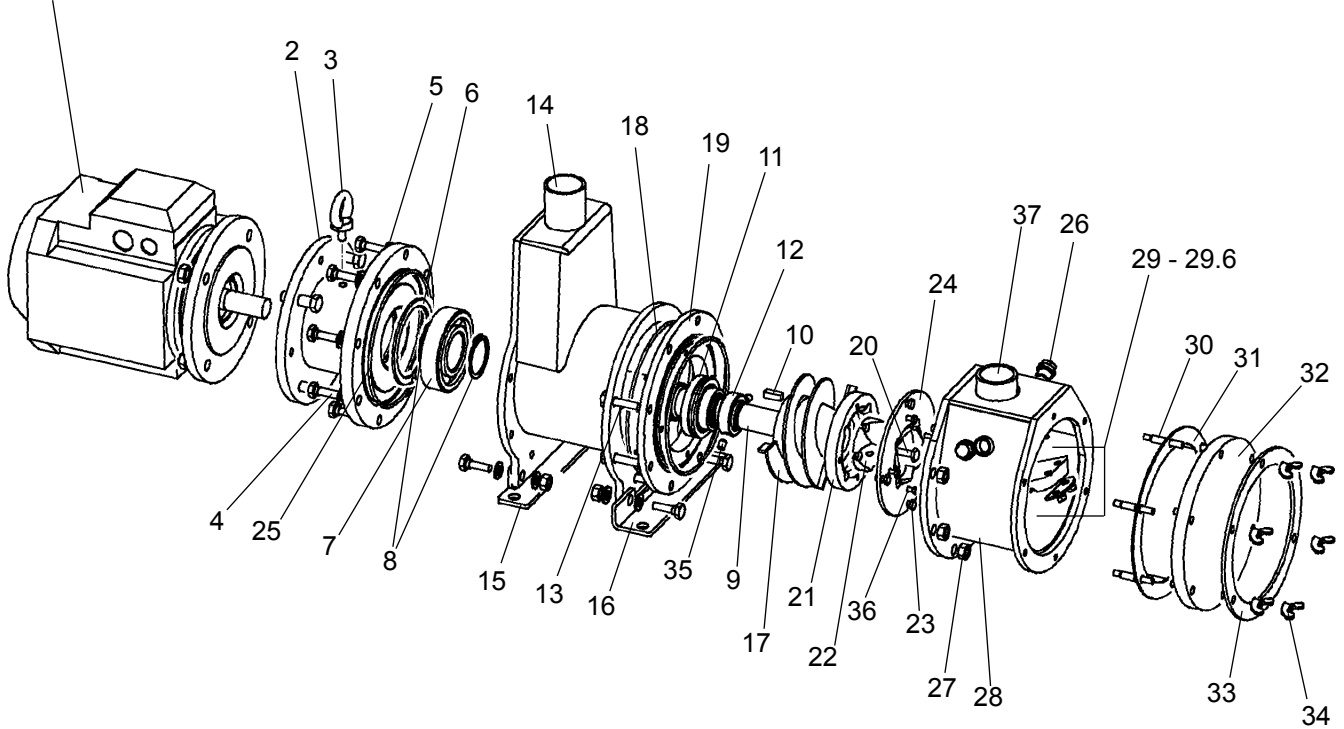
6547687 EVAC ONLINE PUMP V 16, 3x690 V 60 Hz, (not sold as a single item)
P/N 6547687 is replaced by P/N 6556166


Item	Qty	Description	Part No.
1	1	Motor	6554296
1.1	1	Bearing, drive end	6555402
1.2	1	Bearing, non-drive end	6555403
1.3	1	Shaft	-
1.4	1	Fan	6555404
1.5	1	Fan cover	6555405
2	4	6-nut M12	6554277
3	1	Eye bolt M10x17	6554278
4	4	Bolt M12x40	6554279
5	8	Washer M10	6554280
6	1	Connection flange	6548549
7	8	Bolt M10x30	6554281
8	2	O-ring 160x3	6547043
9	1	Lock ring	6554282
10	1	Bearing	6549314
11	2	Lock ring 42x1.75	6554283
12	1	Mechanical seal	6547044
13	2	Screw M8x10	6554284
14	1	Lock ring	6554671
15	1	Rear mounting plate	6548552
16	1	Screw housing	6551999
17	6	Bolt M10x40	6554285
18	1	Front mounting plate	6548553
19	1	Shaft	6548551
20	1	Key B8x7x22	6554286
21	1	Helical screw	6553302

Item	Qty	Description	Part No.
22	1	Spacer plate	6548547
23	1	Inlet flange	6549255
24	1	Macerator hub	6547049
25	4	Bolt M6x12	6554287
26	1	Macerator ring	6547050
27	2	Plug R 3/8"	6554288
28	6	Nut M10	6554289
29	1	Inlet housing	6552846
30	1	Gasket	6547052
31	1	Transparent end plate	6547053
32	4	Bolt M8x35	6554290
33	6	Stud bolt M8x40	6554291
34	6	Wing nut M8	6554292
35	1	Support ring	6548546
36	1	O-ring	6547048
37	4	Bolt M5x20	6549520
38	1	Flap complete	5430675
38.1	2	Washer	-
38.2	1	Flap	-
38.3	2	Washer	-
38.4	2	Bushing	-
38.5	2	Nut	-
38.6	2	Screw	-

6556166 EVAC ONLINE PUMP V 16, 3×690 V 60 Hz

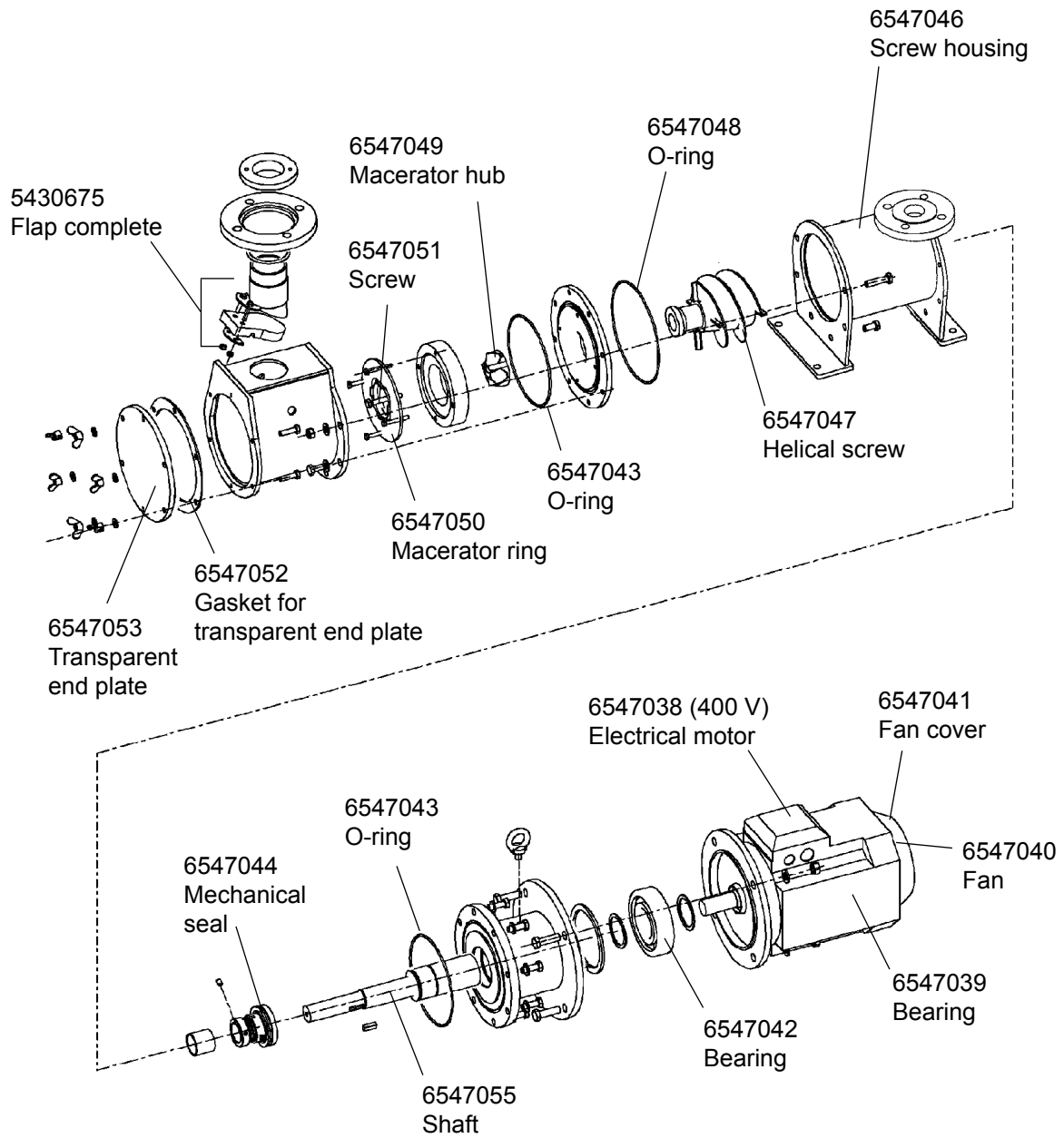
1: 1.1, 1.2, 1.3, 1.4, 1.5



Item	Qty	Description	Part No.	Item	Qty	Description	Part No.
1	1	Motor	6547691	20	1	Bolt	6554290
1.1	1	Bearing, Drive end	6550317	21	1	Macerator hub	6549255
1.2	1	Bearing, Non-Drive end	6551110	22	1	Grinder	6547049
1.3	1	Shaft	-	23	4	Bolt	6554287
1.4	1	Fan	6555404	24	1	Macerator ring	6547050
1.5	1	Fan cover	6555405	25	2	O-ring	6547043
2	1	Connection flange	6548549	26	2	Plug	6554288
3	1	Eye bolt	6554278	27	10	Nut	6554289
4	12	Screw	6554281	28	1	Inlet housing	6552846
5	16	Washer	6554280	29	1	Flap complete	5430675
6	1	Lock ring	6554282	29.1	2	Washer	-
7	1	Bearing	6549314	29.2	1	Flap	-
8	2	Lock ring	6554283	29.3	2	Washer	-
9	1	Shaft	6548551	29.4	2	Bushing	-
10	1	Key	6554286	29.5	2	Nut	-
11	1	Mechanical seal	6547044	29.6	2	Screw	-
12	1	Locking ring	6554671	30	6	Stud bolt	6554291
13	6	Screw	6554285	31	1	Gasket	6547052
14	1	Screw housing	6551999	32	1	Transparent plate	6548545
15	1	Support foot	6556767	33	1	Support ring	6548546
16	1	Support foot	6556768	34	6	Wing nut	6554292
17	1	Helical screw	6551189	35	2	Screw	6554284
18	1	O-ring	6547048	36	4	Bolt	6549520
19	1	Spacer plate	6548547	37	1	Check valve	6548533

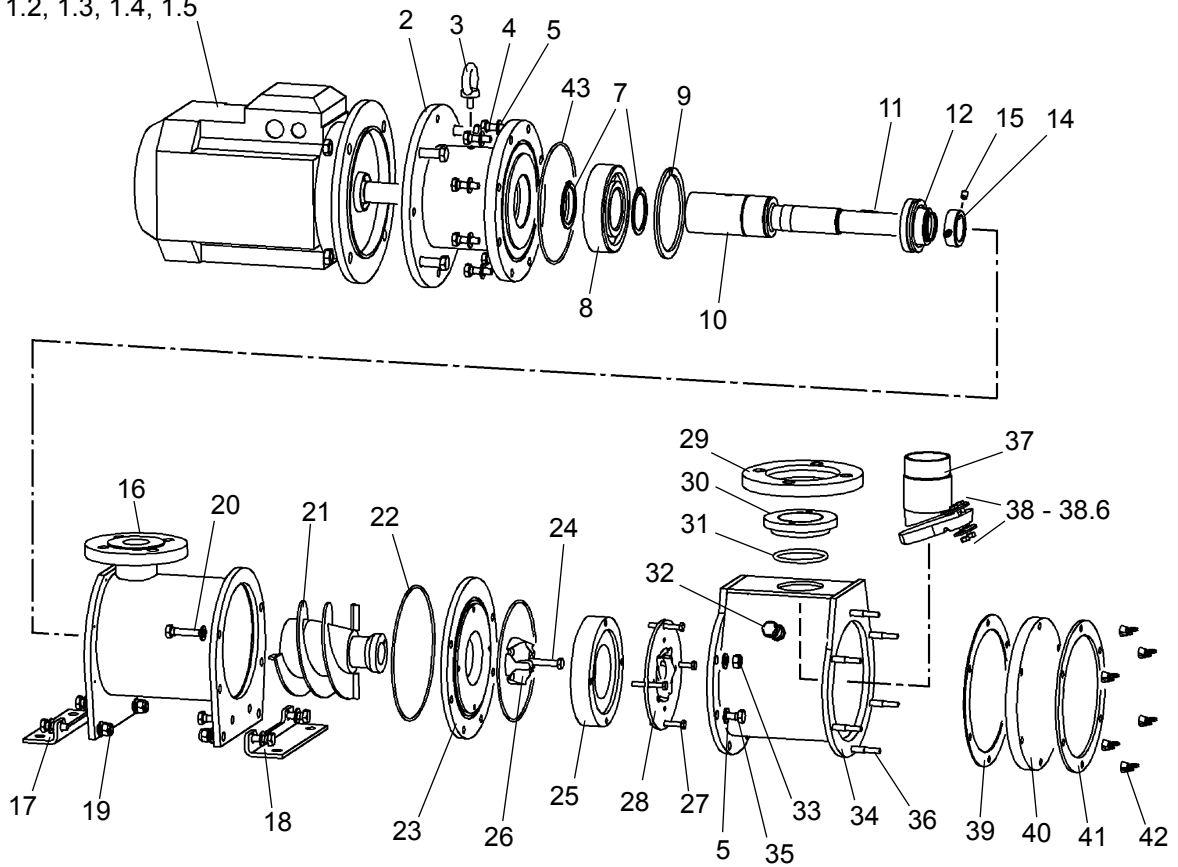
6546723 EVAC ONLINE PUMP E 26, 380/460 V, (not sold as a single item)

P/N 6546723 is replaced by P/N 6555530



655530 EVAC ONLINE PUMP E 26 , 380-420 V 50 Hz, 440-480 V 60 Hz

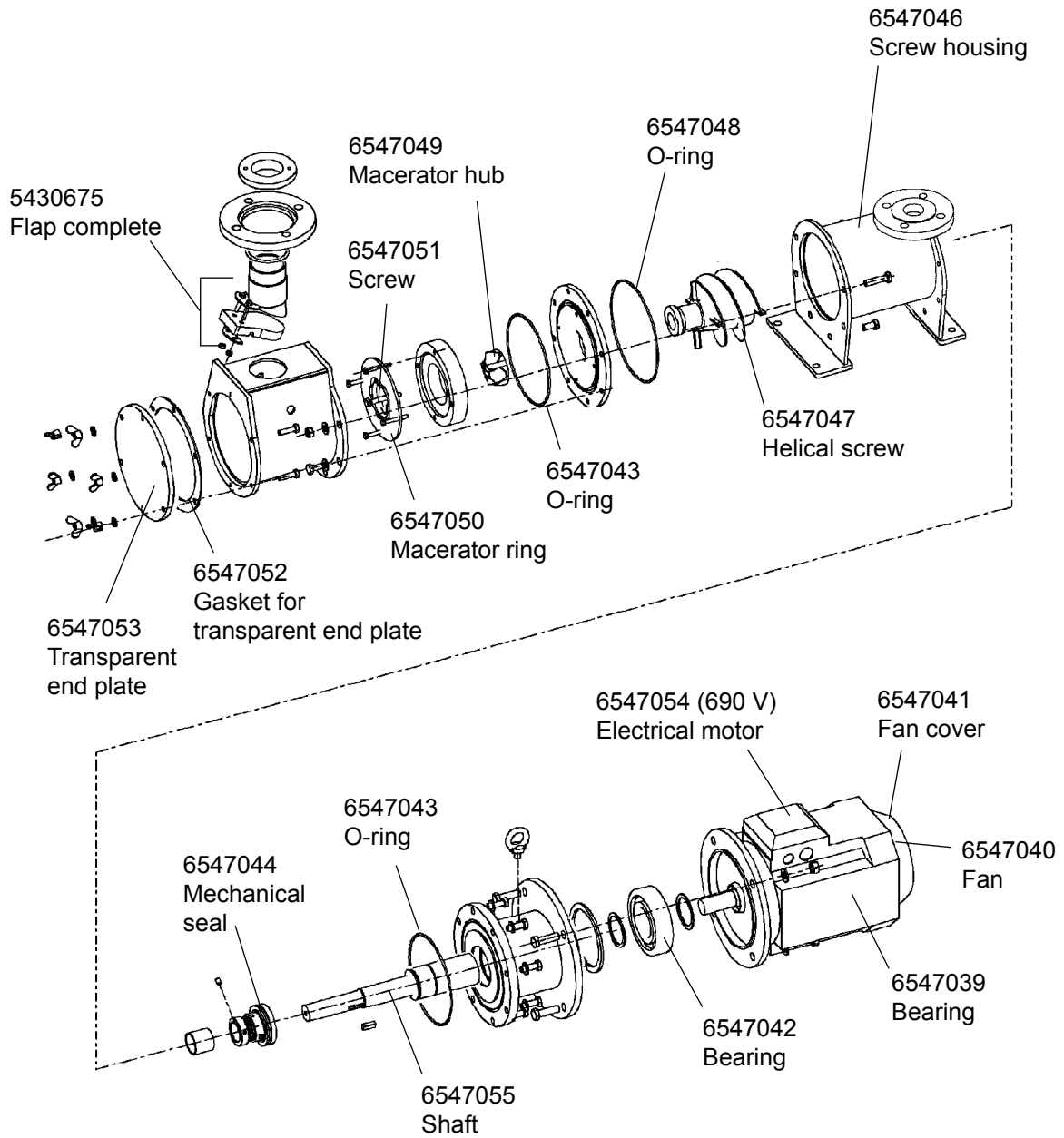
1: 1.1, 1.2, 1.3, 1.4, 1.5



Item	Qty	Description	Part No.	Item	Qty	Description	Part No.
1	1	Motor	6558001	24	1	Bolt	-
1.1	1	Bearing, Drive end	5451480	25	1	Flange	6548539
1.2	1	Bearing, Non-Drive end	5451480	26	1	Macerator hub	6547049
1.3	1	Shaft	-	27	4	Bolt	-
1.4	1	Fan	6547040	28	1	Macerator ring	6547050
1.5	1	Fan Cover	6547041	29	1	Flange	6548535
2	1	Bearing house	6548538	30	1	Collar	6548534
3	1	Eye bolt	6554278	31	1	O-ring	-
4	12	Screw	6554281	32	2	Plug	6554288
5	24	Washer	6554280	33	2	Nut	6554289
7	2	Lock ring	-	34	1	Front housing	6548528
8	2	Bearing	6547042	35	4	Screw	-
9	1	Lock ring	6554282	36	6	Stud bolt	6554291
10	1	Shaft	6547055	37	1	Check valve	6548533
11	1	Key	-	38	1	Flap complete	5430675
12	1	Mechanical seal	6547044	38.1	2	Washer	-
14	1	Locking ring	6554671	38.2	1	Flap	-
15	1	Screw	6554284	38.3	2	Washer	-
16	1	Rotor housing	6547046	38.4	2	Bushing	-
17	1	Support foot	6555590	38.5	2	Nut	-
18	1	Support foot	6555589	38.6	2	Screw	-
19	4	Lock nut	-	39	1	Gasket	6547052
20	2	Screw	-	40	1	Transparent plate	6548545
21	1	Helical screw	6551993	41	1	Support ring	6548546
22	1	O-ring	6547048	42	6	Wing nut	6554292
23	1	Front flange	6548527	43	2	O-ring	6547043

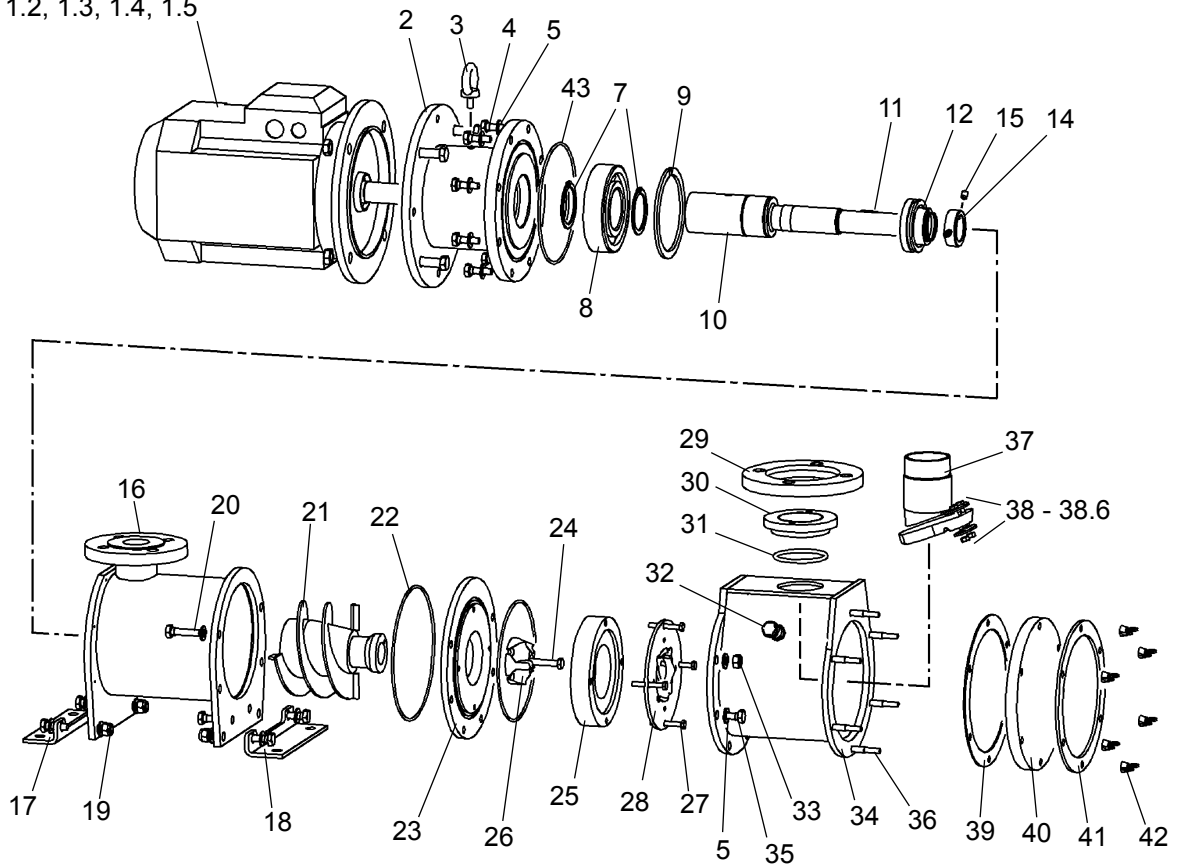
6546724 EVAC ONLINE PUMP E 26, 3×690 V 60 Hz, (not sold as a single item)

P/N 6546724 is replaced by P/N 6557961



6557961 EVAC ONLINE PUMP E 26, 3×690 V 60 Hz

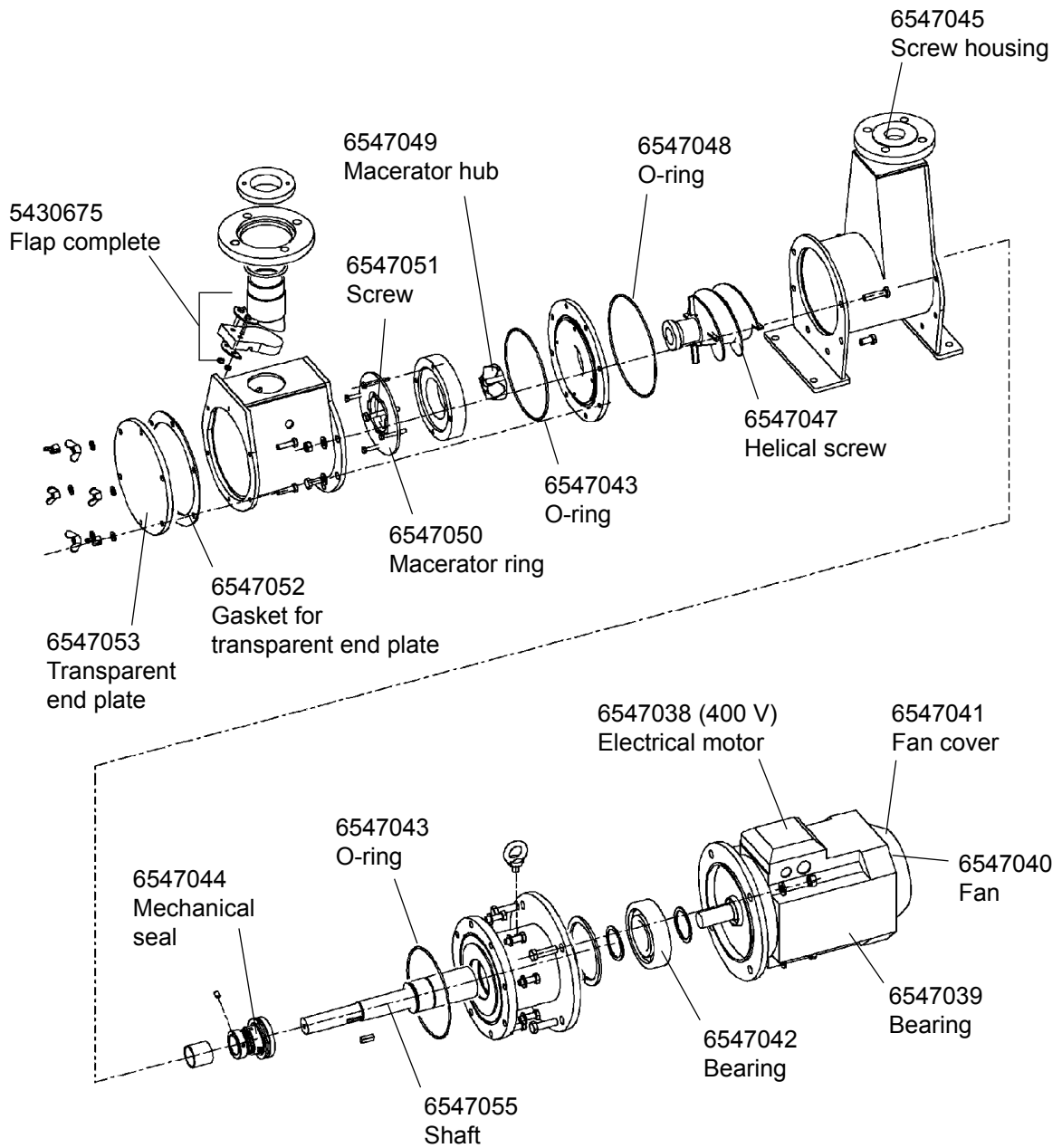
1: 1.1, 1.2, 1.3, 1.4, 1.5

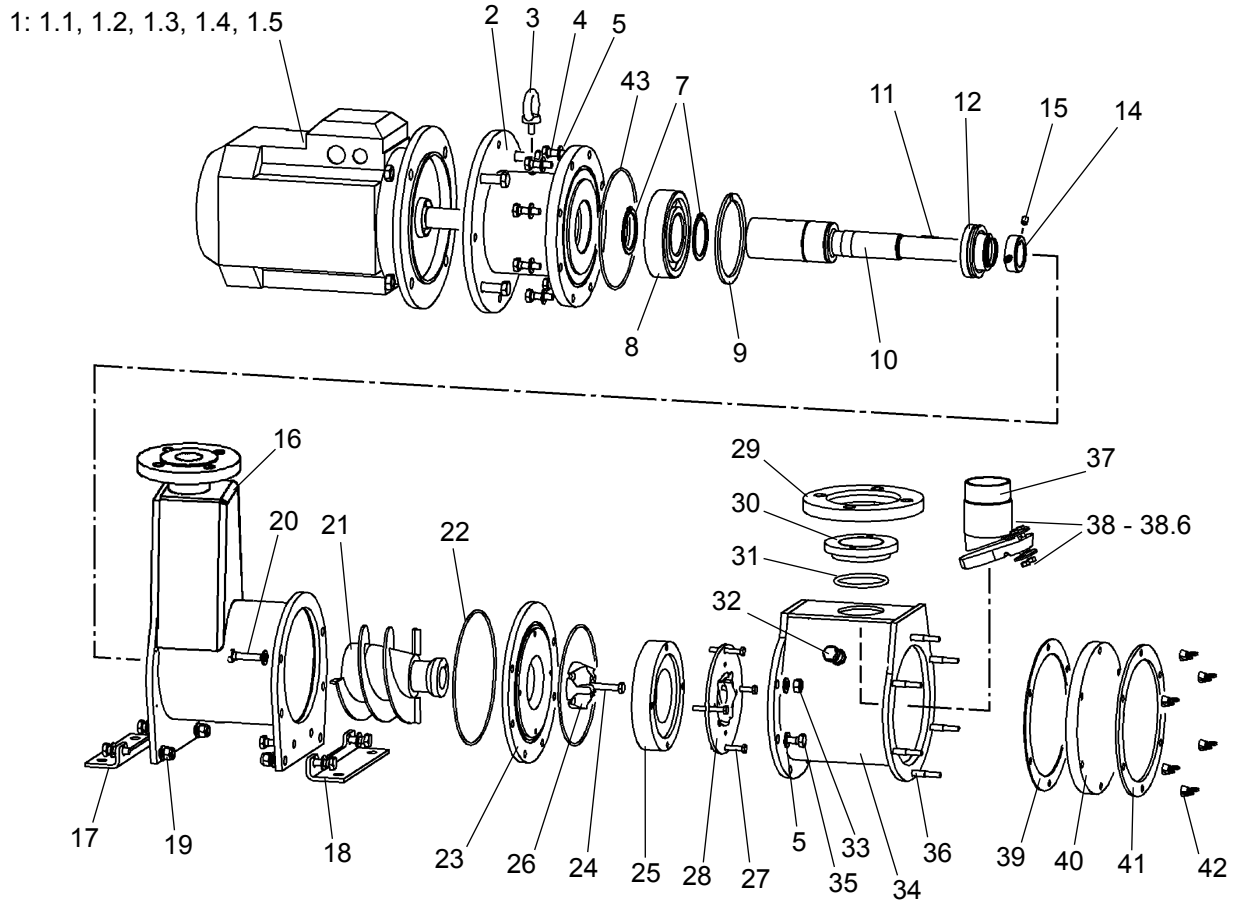


Item	Qty	Description	Part No.	Item	Qty	Description	Part No.
1	1	Motor	6558013	24	1	Bolt	-
1.1	1	Bearing, Drive end	5451480	25	1	Flange	6548539
1.2	1	Bearing, Non-Drive end	5451480	26	1	Macerator hub	6547049
1.3	1	Shaft	-	27	4	Bolt	-
1.4	1	Fan	6547040	28	1	Macerator ring	6547050
1.5	1	Fan Cover	6547041	29	1	Flange	6548535
2	1	Bearing house	6548538	30	1	Collar	6548534
3	1	Eye bolt	6554278	31	1	O-ring	-
4	12	Screw	6554281	32	2	Plug	6554288
5	24	Washer	6554280	33	2	Nut	6554289
7	2	Lock ring	-	34	1	Front housing	6548528
8	2	Bearing	6547042	35	4	Screw	-
9	1	Lock ring	6554282	36	6	Stud bolt	6554291
10	1	Shaft	6547055	37	1	Check valve	6548533
11	1	Key	-	38	1	Flap complete	5430675
12	1	Mechanical seal	6547044	38.1	2	Washer	-
14	1	Locking ring	6554671	38.2	1	Flap	-
15	1	Screw	6554284	38.3	2	Washer	-
16	1	Rotor housing	6547046	38.4	2	Bushing	-
17	1	Support foot	6555590	38.5	2	Nut	-
18	1	Support foot	6555589	38.6	2	Screw	-
19	4	Lock nut	-	39	1	Gasket	6547052
20	2	Screw	-	40	1	Transparent plate	6548545
21	1	Helical screw	6551993	41	1	Support ring	6548546
22	1	O-ring	6547048	42	6	Wing nut	6554292
23	1	Front flange	6548527	43	2	O-ring	6547043

6546721 EVAC ONLINE PUMP V 26, 3×380 V 50 Hz, 3×460 V 60 Hz, (not sold as a single item)

P/N 6546721 is replaced by P/N 655528

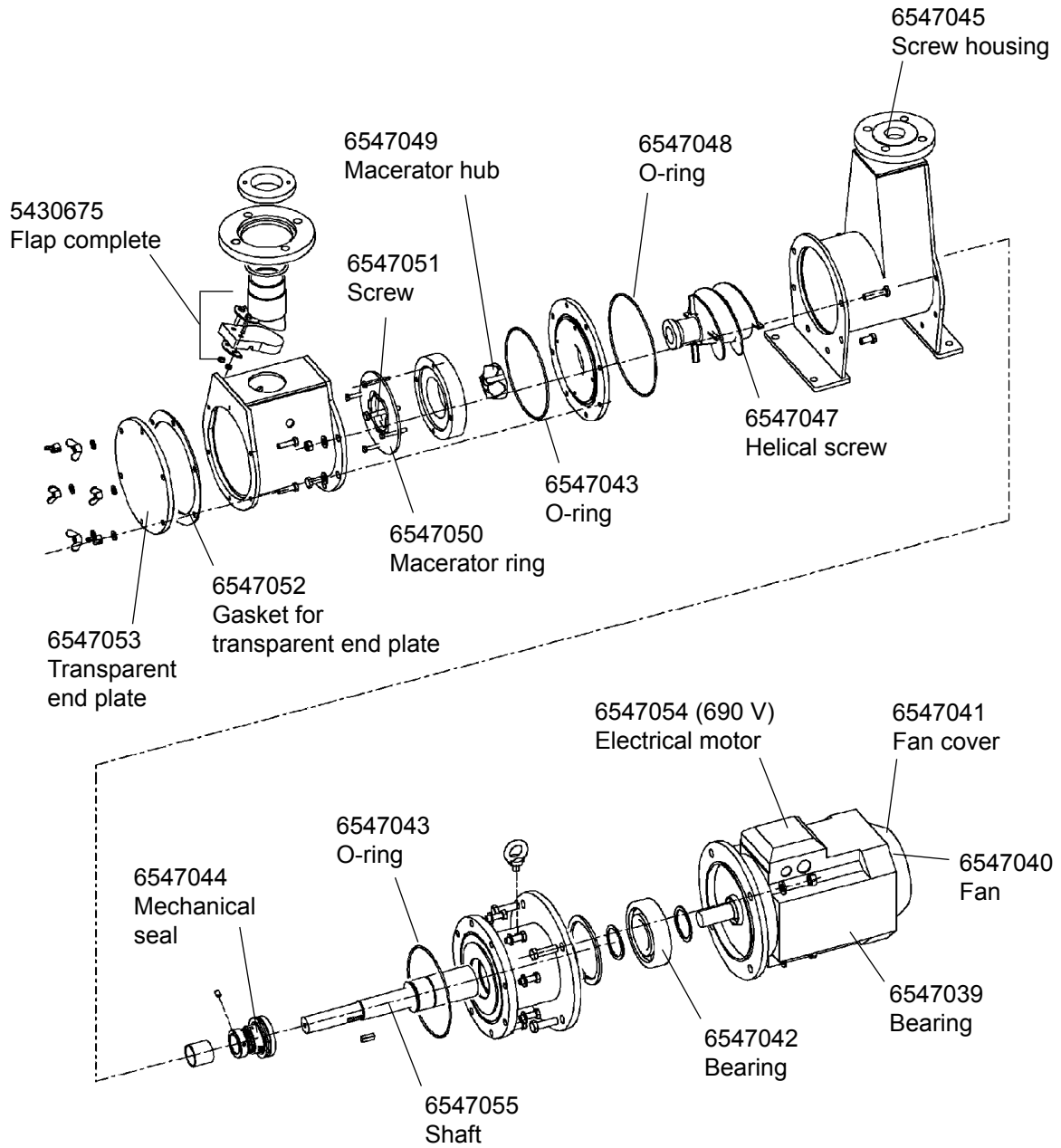


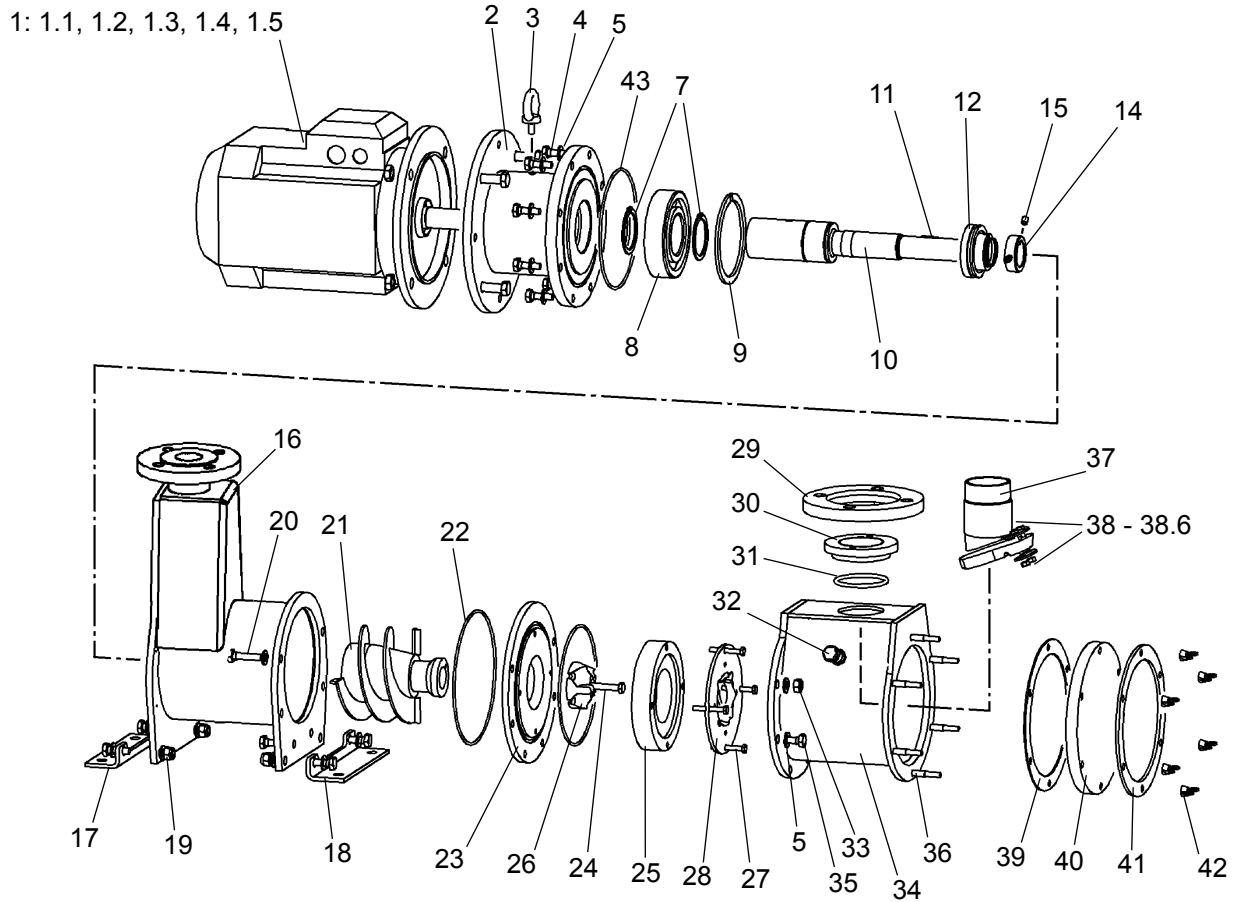
655528 EVAC ONLINE PUMP V 26, 380-420 V 50 Hz, 440-480 V 60 Hz


Item	Qty	Description	Part No.	Item	Qty	Description	Part No.
1	1	Motor	6558001	24	1	Bolt	-
1.1	1	Bearing, Drive end	5451480	25	1	Flange	6548539
1.2	1	Bearing, Non-Drive end	5451480	26	1	Macerator hub	6547049
1.3	1	Shaft	-	27	4	Bolt	-
1.4	1	Fan	6547040	28	1	Macerator ring	6547050
1.5	1	Fan Cover	6547041	29	1	Flange	6548535
2	1	Bearing house	6548538	30	1	Collar	6548534
3	1	Eye bolt	6554278	31	1	O-ring	-
4	12	Screw	6554281	32	2	Plug	6554288
5	24	Washer	6554280	33	2	Nut	6554289
7	2	Lock ring	-	34	1	Front housing	6548528
8	1	Bearing	6547042	35	4	Screw	-
9	1	Lock ring	6554282	36	6	Stud bolt	6554291
10	1	Shaft	6547055	37	1	Check valve	6548533
11	1	Key	6554286	38	1	Flap complete	5430675
12	1	Mechanical seal	6547044	38.1	2	Washer	-
14	1	Locking ring	6554671	38.2	1	Flap	-
15	1	Screw	6554284	38.3	1	Washer	-
16	1	Rotor housing	6551997	38.4	2	Bushing	-
17	1	Support foot	6555590	38.5	2	Nut	-
18	1	Support foot	6555589	38.6	2	Screw	-
19	4	Lock nut	-	39	1	Gasket	6547052
20	2	Screw	6554285	40	1	Transparent plate	6548545
21	1	Helical screw	6551993	41	1	Support ring	6548546
22	1	O-ring	6547048	42	6	Wing nut	6554292
23	1	Front flange	6548527	43	2	O-ring	6547043

6546722 EVAC ONLINE PUMP V 26, 3x690 V 60 Hz, (not sold as a single item)

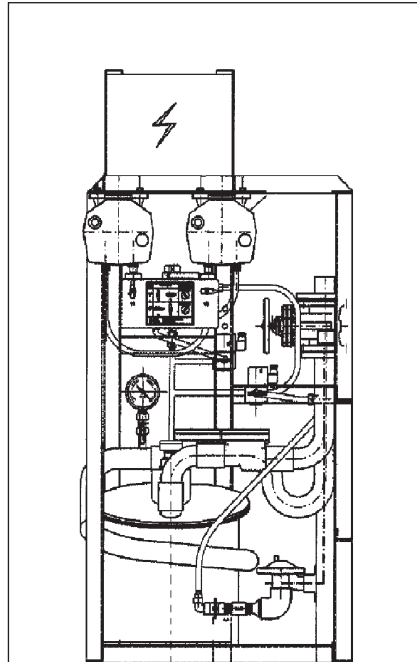
P/N 6546722 is replaced by P/N 6557195



6557195 EVAC ONLINE PUMP V 26, 690 V 60 Hz


Item	Qty	Description	Part No.	Item	Qty	Description	Part No.
1	1	Motor	6558013	24	1	Bolt	-
1.1	1	Bearing, Drive end	5451480	25	1	Flange	6548539
1.2	1	Bearing, Non-Drive end	5451480	26	1	Macerator hub	6547049
1.3	1	Shaft	-	27	4	Bolt	-
1.4	1	Fan	6547040	28	1	Macerator ring	6547050
1.5	1	Fan Cover	6547041	29	1	Flange	6548535
2	1	Bearing house	6548538	30	1	Collar	6548534
3	1	Eye bolt	6554278	31	1	O-ring	-
4	12	Screw	6554281	32	2	Plug	6554288
5	24	Washer	6554280	33	2	Nut	6554289
7	2	Lock ring	-	34	1	Front housing	6548528
8	1	Bearing	6547042	35	4	Screw	-
9	1	Lock ring	6554282	36	6	Stud bolt	6554291
10	1	Shaft	6547055	37	1	Check valve	6548533
11	1	Key	6554286	38	1	Flap complete	5430675
12	1	Mechanical seal	6547044	38.1	2	Washer	-
14	1	Locking ring	6554671	38.2	1	Flap	-
15	1	Screw	6554284	38.3	1	Washer	-
16	1	Rotor housing	6551997	38.4	2	Bushing	-
17	1	Support foot	6555590	38.5	2	Nut	-
18	1	Support foot	6555589	38.6	2	Screw	-
19	4	Lock nut	-	39	1	Gasket	6547052
20	2	Screw	6554285	40	1	Transparent plate	6548545
21	1	Helical screw	6551993	41	1	Support ring	6548546
22	1	O-ring	6547048	42	6	Wing nut	6554292
23	1	Front flange	6548527	43	2	O-ring	6547043

FU-40 AND FU-40/2



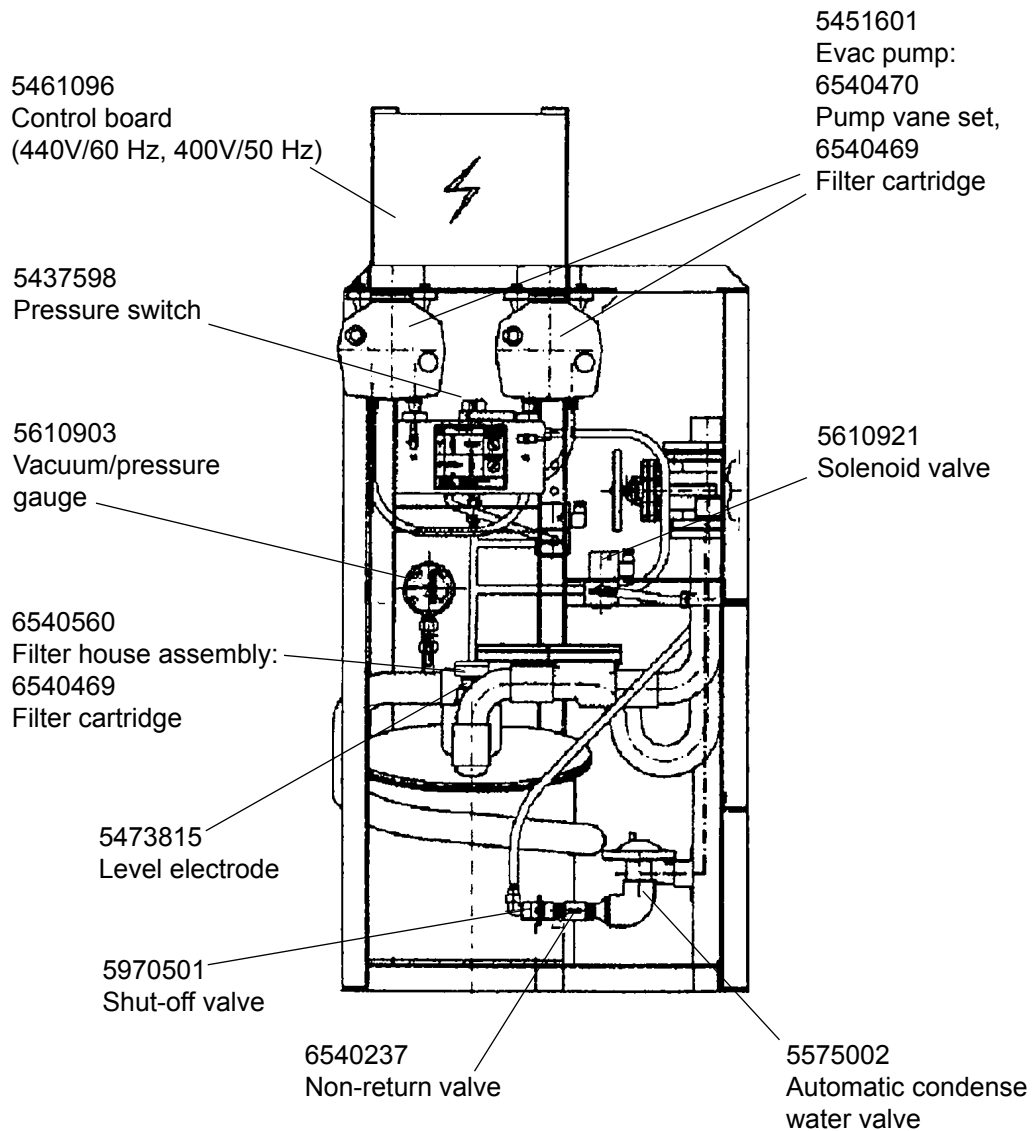
[Spare parts](#)

[Replacing products](#)

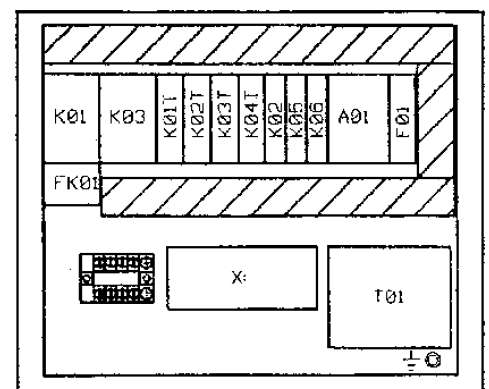
COLLECTING UNITS

5610900 FU-40
5610920 FU-40/2

Detailed spare part list available on request



Control panel, Spare part list		
Item	Description	Part no.
		400 V 50 Hz, 440 V 60 Hz
A01	Level relay	1000801
FK01	Overload relay	1000802
H00	Signal light	6541825
K01	Contactors	6542620





FU40 AND FU40/2

REPLACING PRODUCTS

Old products			Replacing products	
Name	P/N		P/N	Name
Solenoid valve	5610901	▶	5610921	Solenoid valve
3-way valve PVC	5610925	▶	6541022	3-way ball valve AISI 316

4. WASTE TREATMENT SOLUTIONS

4.1 BIOLOGICAL SEWAGE TREATMENT PLANTS

4.2 PHYSICAL / CHEMICAL SEWAGE TREATMENT

4.3 EVAC STANDARD MBR UNITS

4.4 DRY WASTE HANDLING SYSTEMS

4.5 FOOD WASTE COLLECTING SYSTEMS

4. WASTE TREATMENT SOLUTIONS

4.1 BIOLOGICAL SEWAGE TREATMENT PLANTS

STANDARD
EVAC STP and EVAC STP STAINLESS STEEL

STANDARD EVAC STP COMBI



BIOLOGICAL SEWAGE TREATMENT PLANS

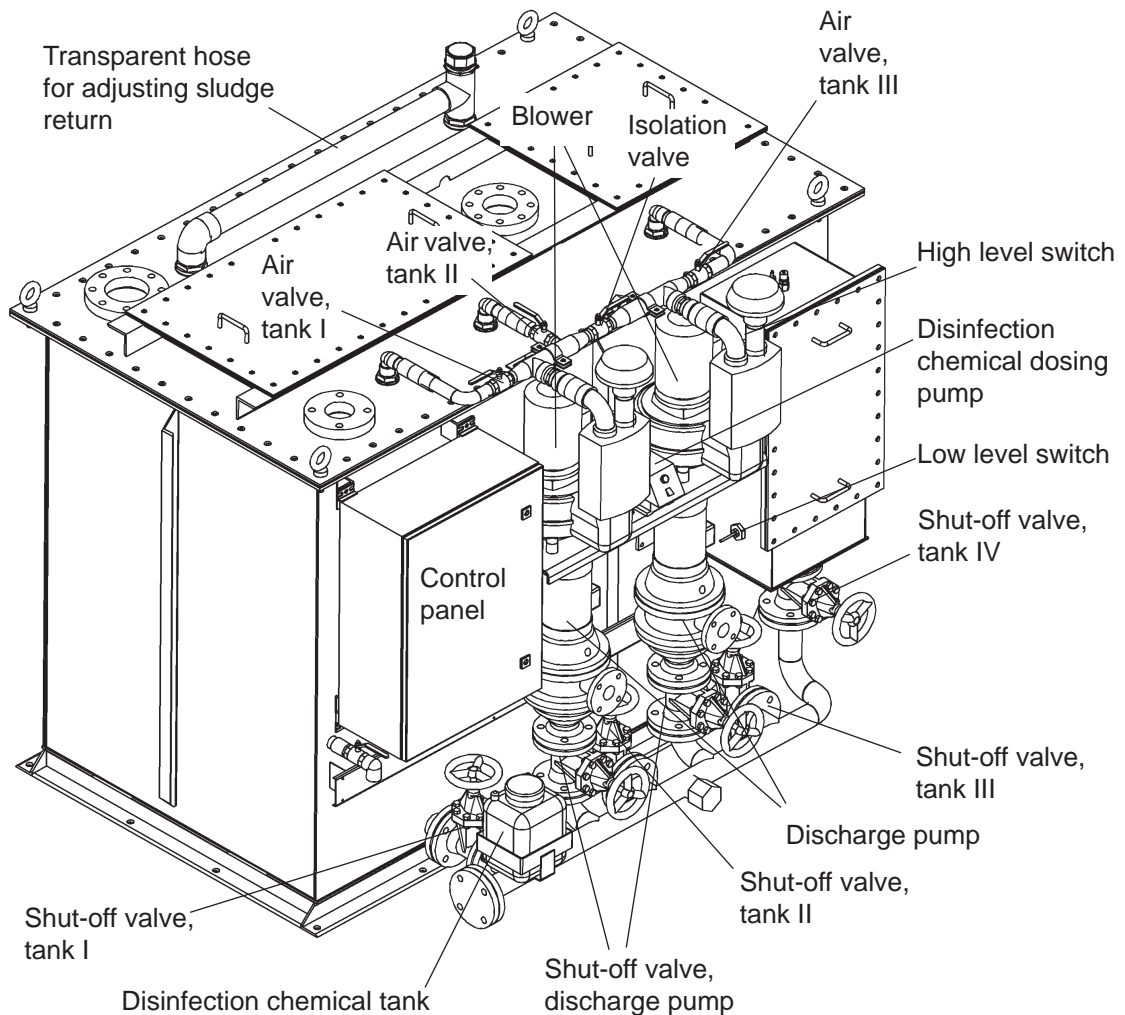
**STANDARD
EVAC STP and EVAC STP STAINLESS STEEL**

[Spare parts](#)

[Replacing products](#)

SEWAGE TREATMENT PLANTS

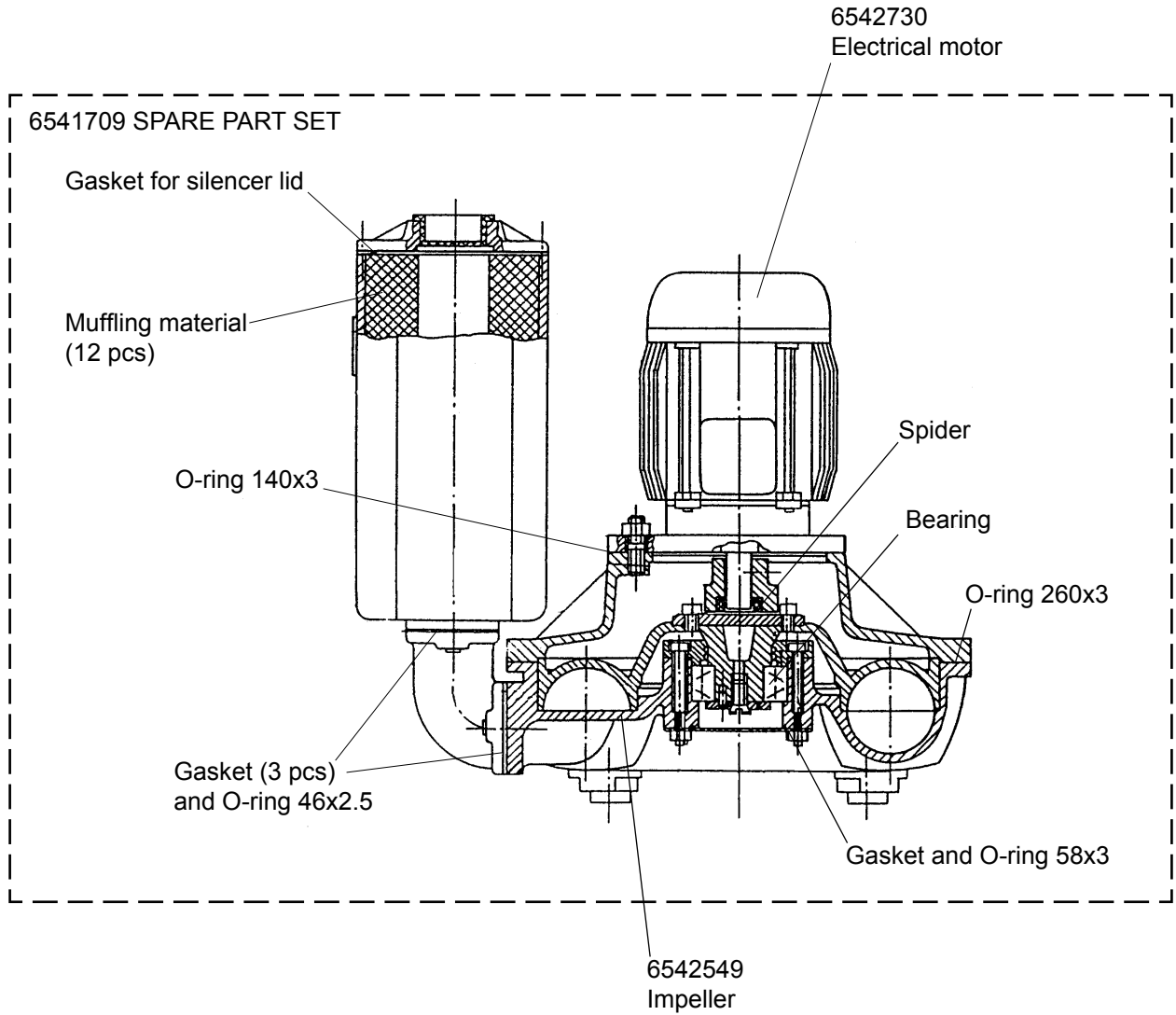
STANDARD EVAC STP, COMPONENTS



Components (pcs) per EVAC STP type

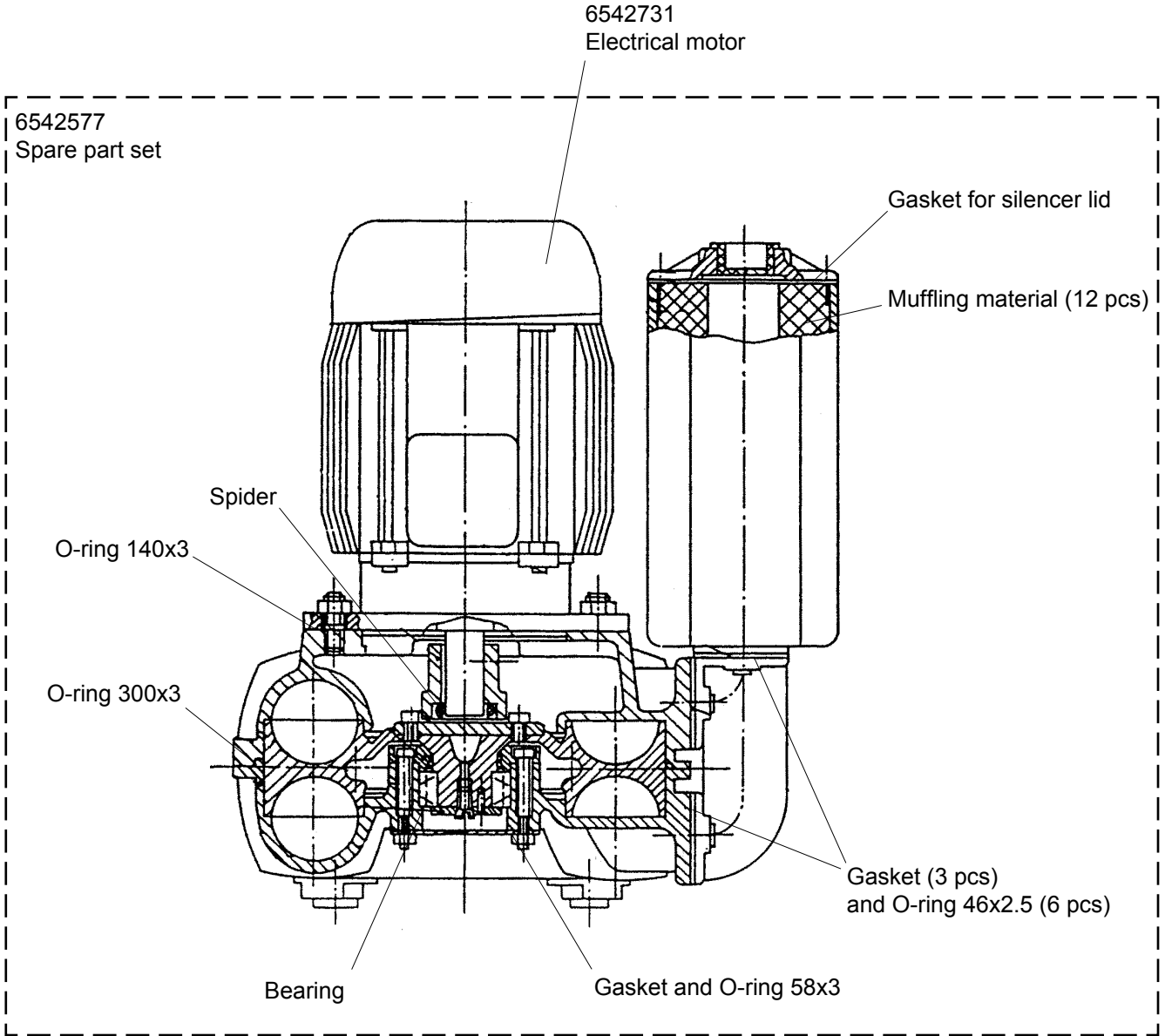
P/N	Name	STP 20	STP 40	STP 55	STP 100	STP 125
70302001	Blower V12YR	1-2	1-2	1-2	1-2	
70303001	Blower V22YR					1-2
70235001	Discharge pump ES120	1-2	1-2	1-2	1-2	1-2
5430595	Shutt-off valve, disch. pump	1-2	1-2	1-2	1-2	1-2
6542675	Dosing pump set	1	1	1	1	1
70701001	Level switch SSP/3K	2	2	2	2	2
5430595	Shut-off valve, tank I	1	1	1	1	1
5430595	Shut-off valve, tank II	1	1	1	1	1
5430595	Shut-off valve, tank III	1	1	1	1	1
5430595	Shut-off valve, tank IV	1	1	1	1	1
6541699	Air valve, tank I	1	1	1	1	1
6541699	Air valve, tank II	1	1	1	1	1
6541699	Air valve, tank III	1	1	1	2	2
6541699	Isolation valve	1	1	1	1	1

70302001 AIR BLOWER V12YR, 400 V 50 Hz, 690 V 50 Hz, 460 V 60 Hz



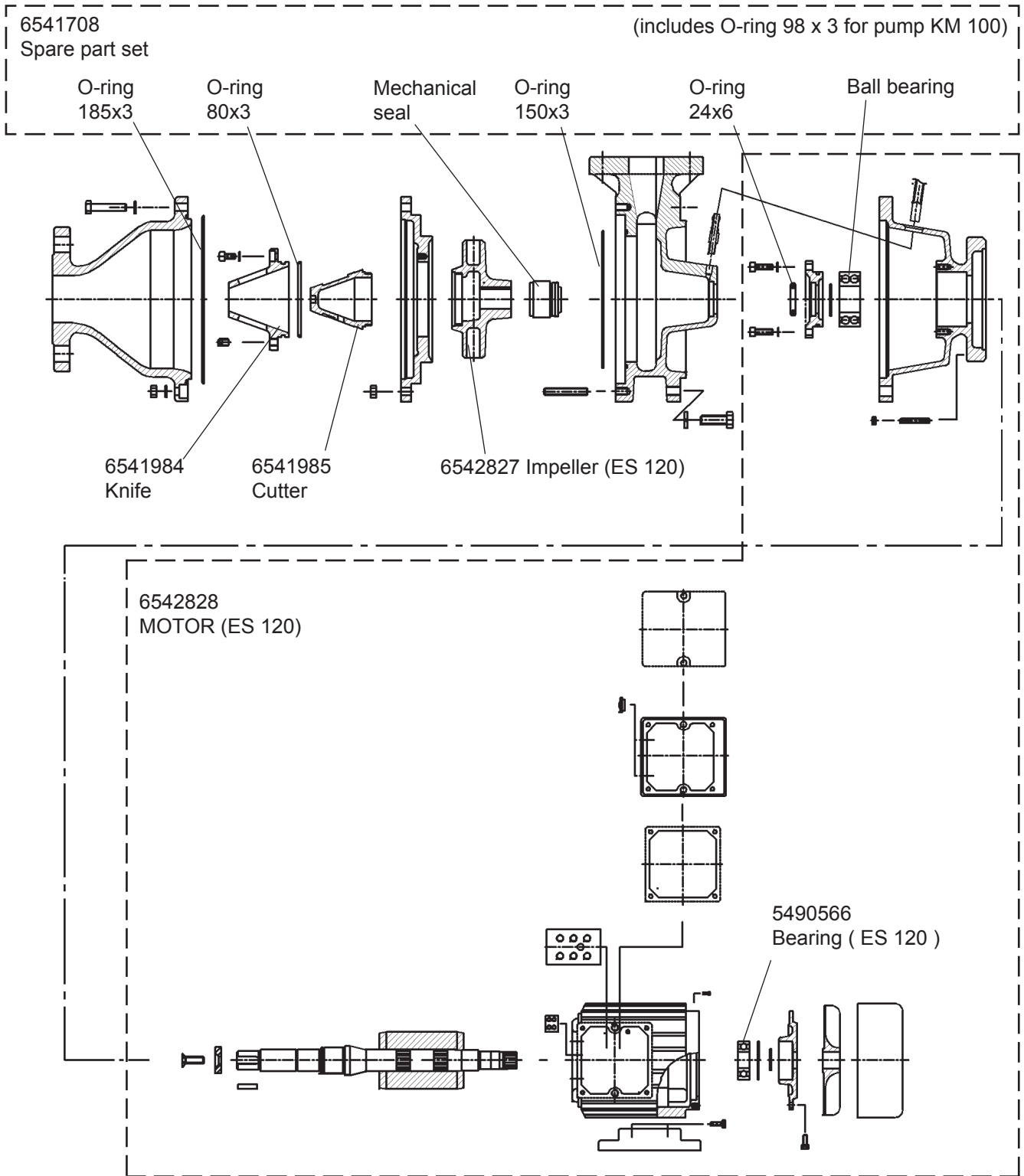
! NOTE: Spare parts included in spare part set are not sold separately.

70303001 AIR BLOWER V22YR, 3×400/460 V, 50/60 Hz



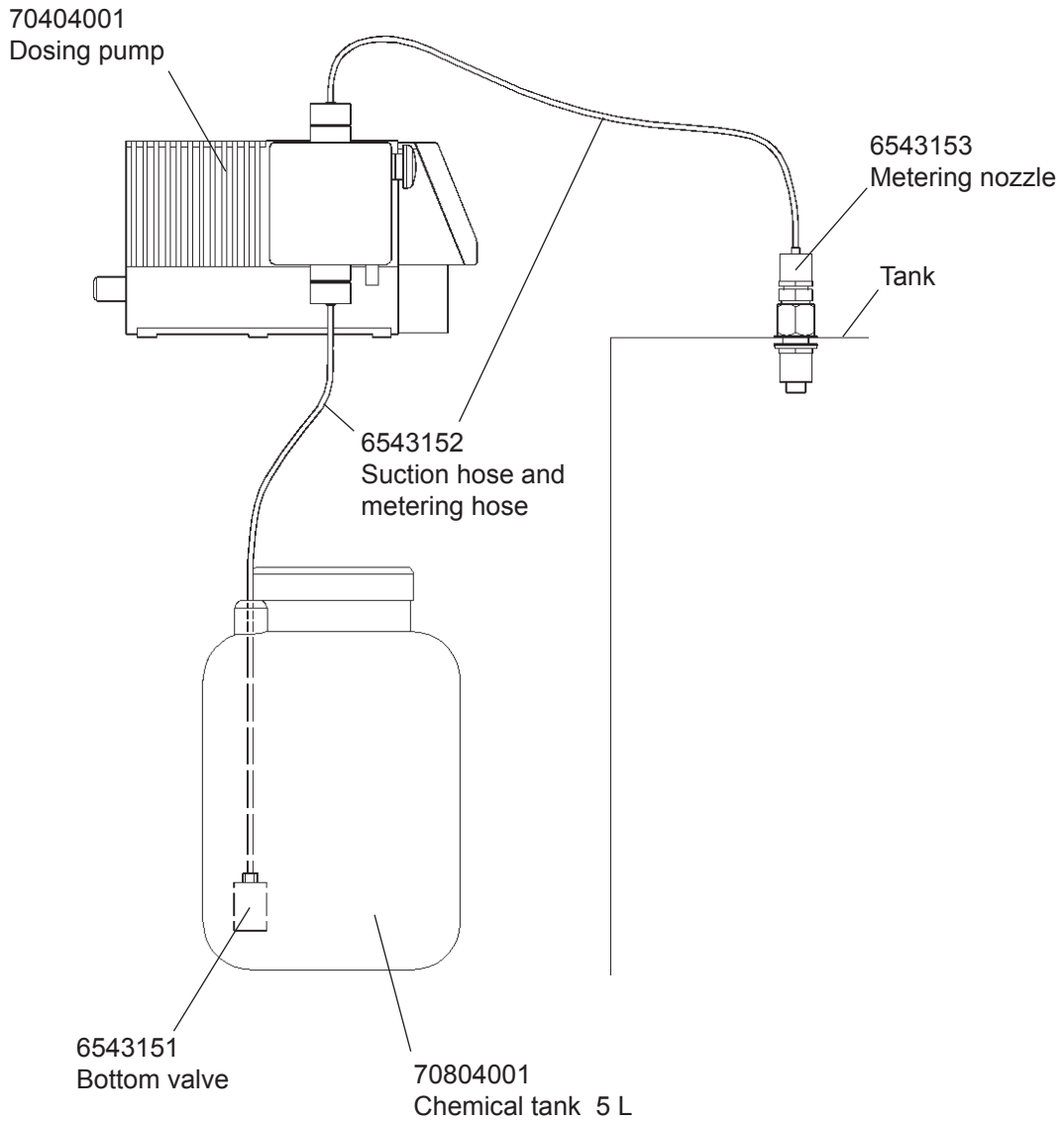
! NOTE: Spare parts included in spare part set are not sold separately.

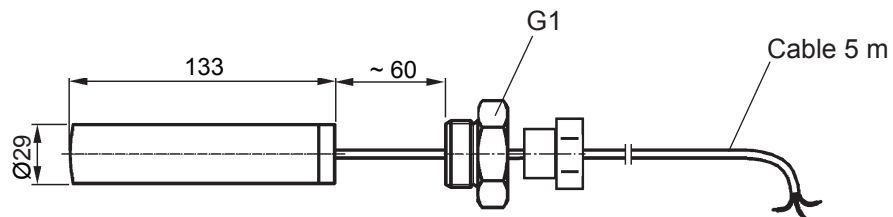
70235001 PUMP ES 120, 3x400/480 V, 50/60 Hz, IMPELLER Ø120



! NOTE: Spare parts included in spare part set are not sold separately.

6542675 DOSING PUMP SET, CHEMICAL TANK 5 L



70701001 LEVEL SWITCH

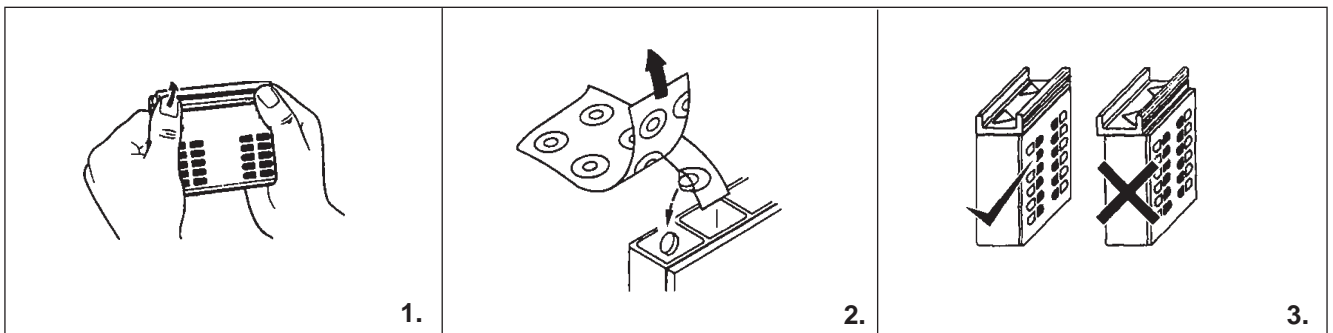
Components	Float switch Cable: 3 x 0.75 mm ²
Materials	Body: Polypropylene Cable: RYFLEX
Operating data	Max. operating pressure: 1 bar (+20°C) Operating temperature: +8°C ... +60°C
Electrical data	Voltage: 24 V =/~ ... 250 V =/~ Nominal power: Max. 350 W Current: 0.2 A ~ ... 3 A ~ Protection class: IP68

SEWAGE TREATMENT PLANTS

6542517 CHLORINE TEST KIT

The test kit includes one tester and the tablets.

Instructions for using the chlorine test kit



1. Take a test sample from the effluent pipe after chamber IV.
2. Remove the lid (see picture 1.) and rinse the compartments with the test sample.
3. Fill all compartments to the top with the test sample to be analysed. This is done by scooping up fluid a few inches below the surface.
4. Add one PHENOLRED tablet to the left hand compartment by tearing open the foil strip (see picture 2.) without touching the tablets with your fingers.
5. Add one DPD No.1-tablet to the right hand compartment by tearing open the foil strip (see picture 2.) without touching the tablet with your fingers.
6. Replace the lid of the TESTER with the arrows pointing towards to printed front (see picture 3.).
7. The tablets will quickly disintegrate. Invert the TESTER several times to mix the contents thoroughly.
8. Take the readings by holding the TESTER towards natural daylight. Select the closest colour match against the colour standard and see the corresponding values.
9. The value on the left is the pH-value.
10. The value on the right is the concentration of free chlorine (mg/l).

Important

- Touching the tablet with your fingers can lead to inaccurate results.
- The colour matching must be carried out immediately after the tablets have dissolved in the test sample.
- The TESTER and the lid should be thoroughly rinsed after each measurement to prevent errors by cross contamination.
- pH values below 6.8 also produce a yellow colouration, so a reading of 6.8 may be incorrect. A pH above 8.2 also produce a red colouration, so a reading of 8.2 may be incorrect.
- Water samples with low values of Total Alkalinity may give wrong pH readings.

! CAUTION: The reagent tablets are only to be used for chemical analysis. They must not be used for any other purpose.

SEWAGE TREATMENT PLANTS

6541968 TEST DEVICE, VOLUME 1 LITRE

Includes one plastic funnel (height 500mm).

Sludge test and sludge handling

It is important to keep a sludge content within certain limits i.e. a good biological balance for the treatment process in the sewage treatment unit.

Sludge content test, aeration chambers I and II

Measure the sludge levels in aeration tanks I and II using test cocks while the blowers are running.

- Fill the plastic funnel with 1000ml of waste water and throw the first "sample" water away immediately. This will "clean" the sample valve and increase the test's accuracy significantly.
- Fill the plastic funnel (imhoff glass) with 1000ml of waste water from the test cock of aeration chamber I or aeration chamber II while the blower(s) is running.
- Let the sludge settle for 30 minutes.
- Observe the color and odor of the sludge. If the biological process is running well, the sample color will be grey or browns and the sample will not smell significantly. If the sample color is black and/or it smells, it is an indication that the biological process does not work properly.
- Read the sludge quantity from the side of the glass.



Sludge content measurement:

- below 300 ml/l = sludge content too low for biological process, contact Evac.
- between 300 ml/l and 600 ml/l = normal
- above 600 ml/l = sludge content too high, discharge sludge. See "Treatment unit operation, sludge discharge".

! NOTE: When sludge readings exceed 600ml per 1000ml, sludge must be discharged and the treatment unit must be filled up with fresh water. It is recommended to discharge the treatment unit before entering a restricted area or harbour, in order ensure maximum storage capacity in the treatment unit.

! NOTE: Use "shut-off valve, tank II" for discharging to ensure that there is always a minimum bacterial population left in chamber I after discharging.

! NOTE: Never discharge aeration chamber I below the minimum volume on the same day as aeration chamber II. Always ensure that there is at best a minimum bacterial population in either chamber I or chamber II to avoid the collapse of the biological process.

! NOTE: Never discharge sludge in a harbour or restricted area.

SEWAGE TREATMENT PLANTS

REPLACING PRODUCTS

Old product:
P/N 70301001
Air blower V11Y
3 x 480V, 60Hz

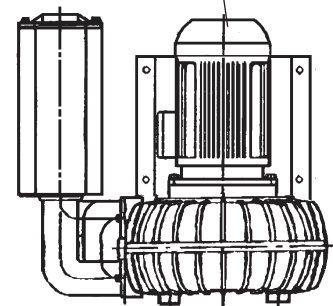
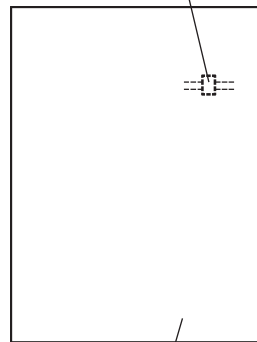
Replacing product

P/N 6542813 :

P/N 70302001 Air blower V12Y
+
P/N 6543936 Motor protector

Motor protector

Air blower V12Y



Control panel



BIOLOGICAL SEWAGE TREATMENT PLANS

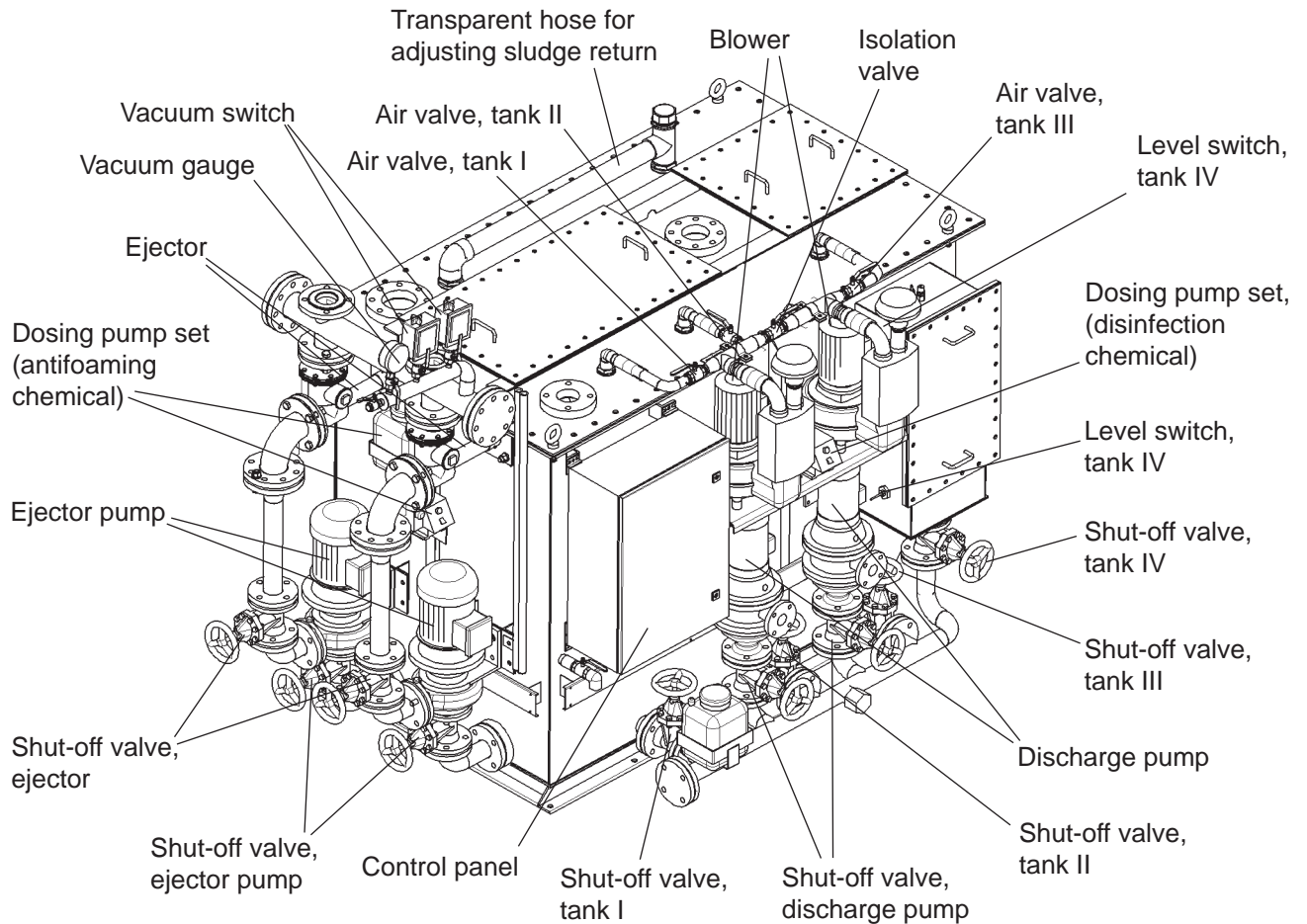
STANDARD EVAC STP COMBI

[Spare parts](#)

[Replacing products](#)

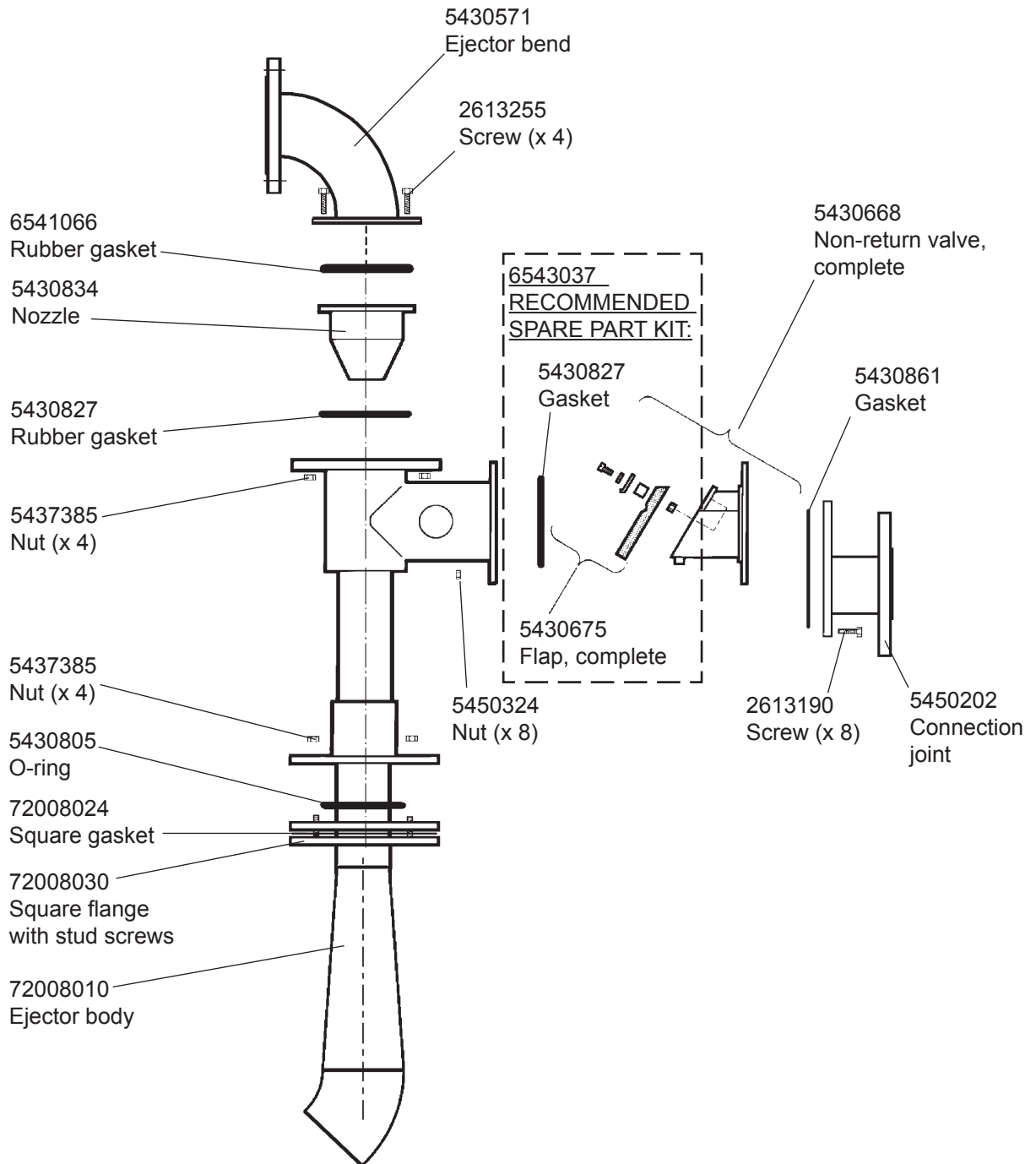
COMBINED UNITS

STANDARD EVAC STP COMBI, COMPONENTS


Components (pcs) per EVAC STP C type

P/N	Name	STP 20C	STP 40C	STP 55C	STP 100C	STP 125C
72008000	Ejector DN80	1	1-2	1-2	1-2	1-2
5430595	Shut-off valve, ejector	1-2	1-2	1-2	1-2	1-2
6541200	Ejector pump 4/HK 50	1-2	1-2	1-2	1-2	1-2
5430595	Shut-off valve, ejector pump	1-2	1-2	1-2	1-2	1-2
6542675	Dosing pump set, antifoam.	1	1	1	1	1
5437623	Vacuum gauge	1	1	1	1	1
5437598	Vacuum switch	2	2	2	2	2
70302001	Blower V12YR	1-2	1-2	1-2	1-2	
70303001	Blower V22YR					1-2
70235001	Discharge pump ES120	1-2	1-2	1-2	1-2	1-2
5430595	Shut-off valve, disch. pump	1-2	1-2	1-2	1-2	1-2
6542675	Dosing pump set, disinf.	1	1	1	1	1
70701001	Level switch SSP/3K	2	2	2	2	2
5430595	Shut-off valve, tank I	1	1	1	1	1
5430595	Shut-off valve, tank II	1	1	1	1	1
5430595	Shut-off valve, tank III	1	1	1	1	1
5430595	Shut-off valve, tank IV	1	1	1	1	1
6541699	Air valve, tank I	1	1	1	1	1
6541699	Air valve, tank II	1	1	1	1	1
6541699	Air valve, tank III	1	1	1	2	2
6541699	Isolation valve	1	1	1	1	1

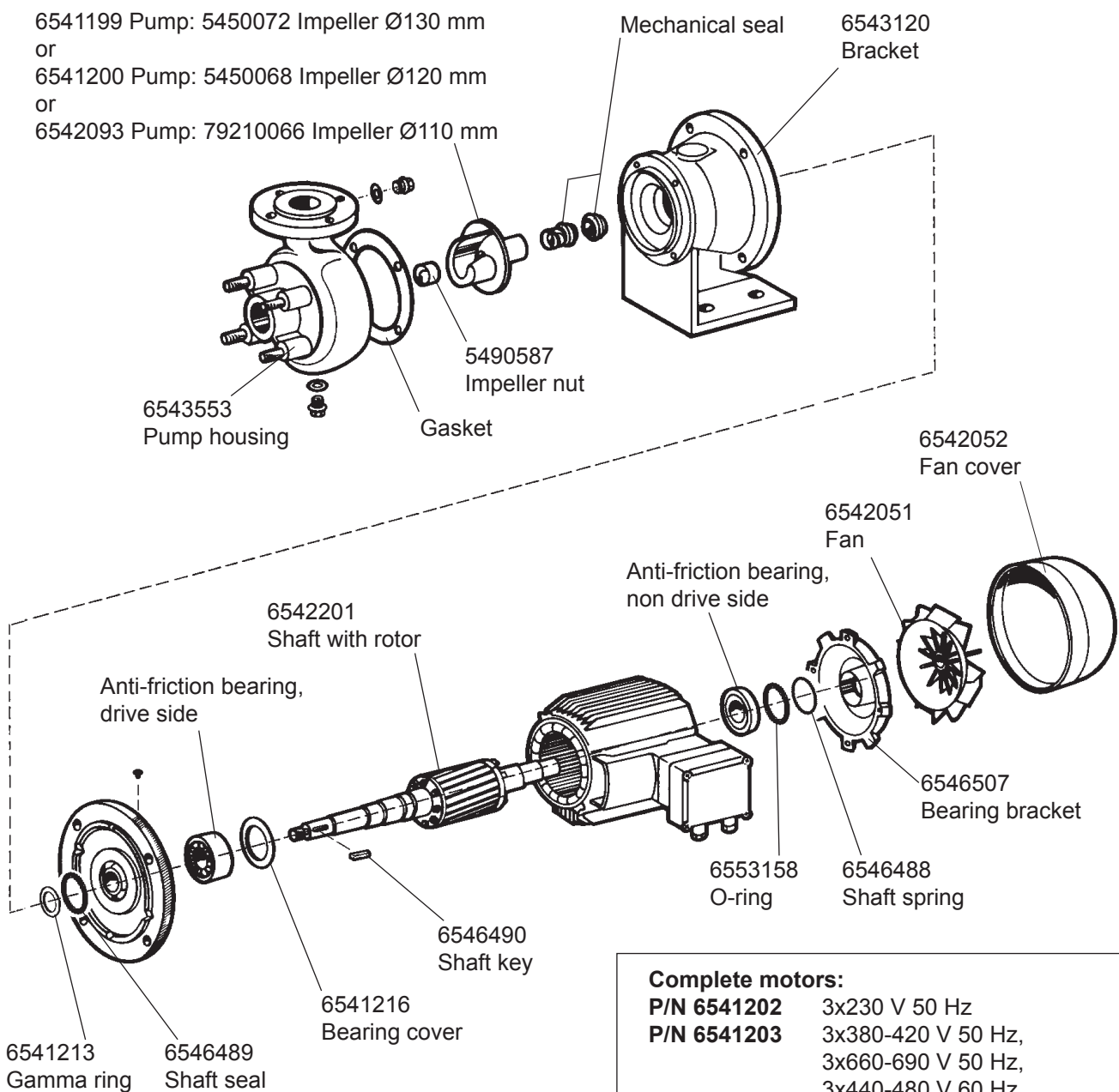
72008000 EJECTOR DN80, NOZZLE Ø30



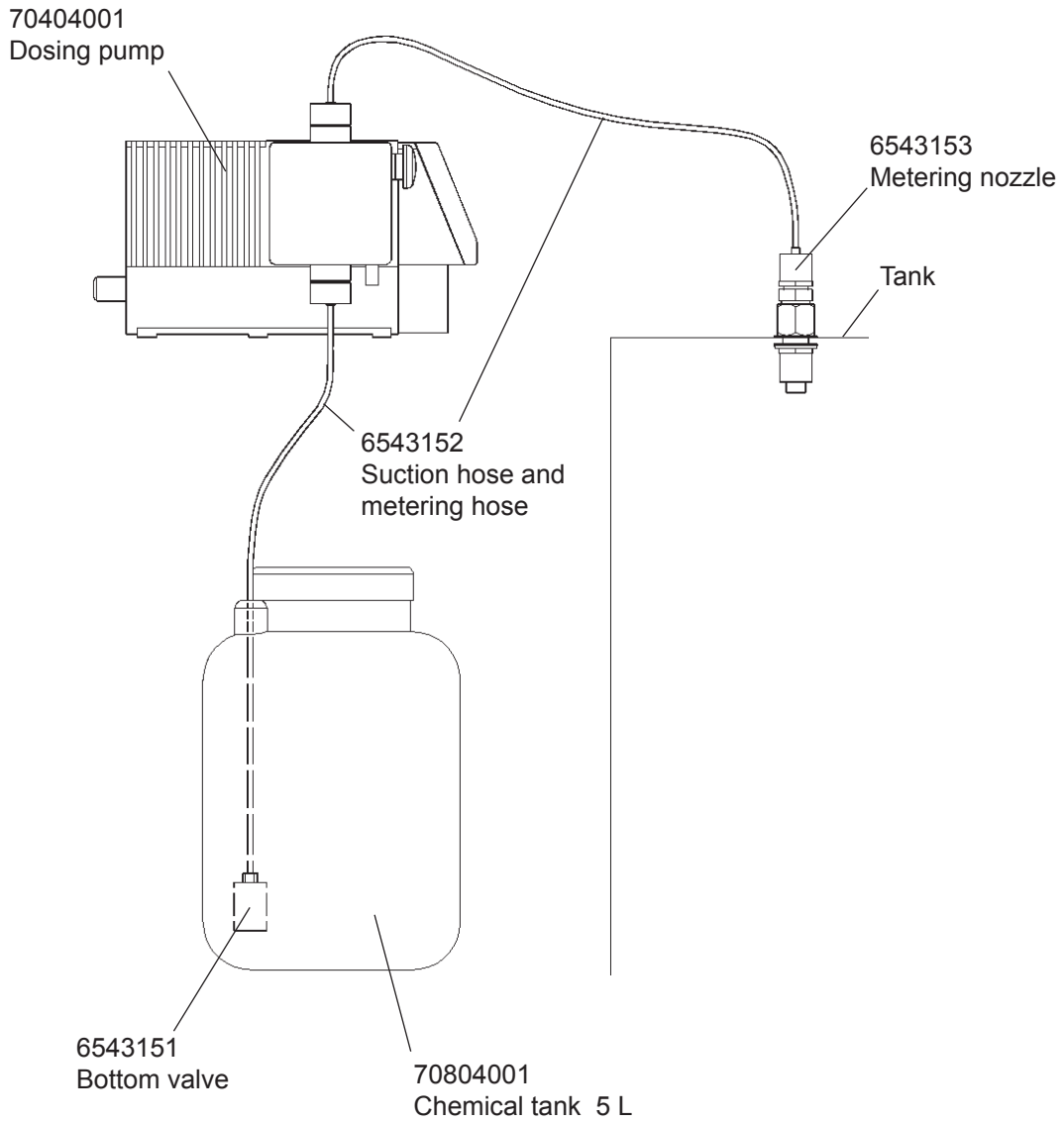
- 6541199 PUMP 4/HK 50-F, 3x230 V 50/60 Hz**
6541200 PUMP 4/HK 50-F, 3x400/460 V 50/60 Hz
6541574 PUMP 4/HK 50-F, 3x690 V 60 Hz
6542093 PUMP 4/HK 50-F, 3x400/460 V 50 Hz, 690 V 60 Hz

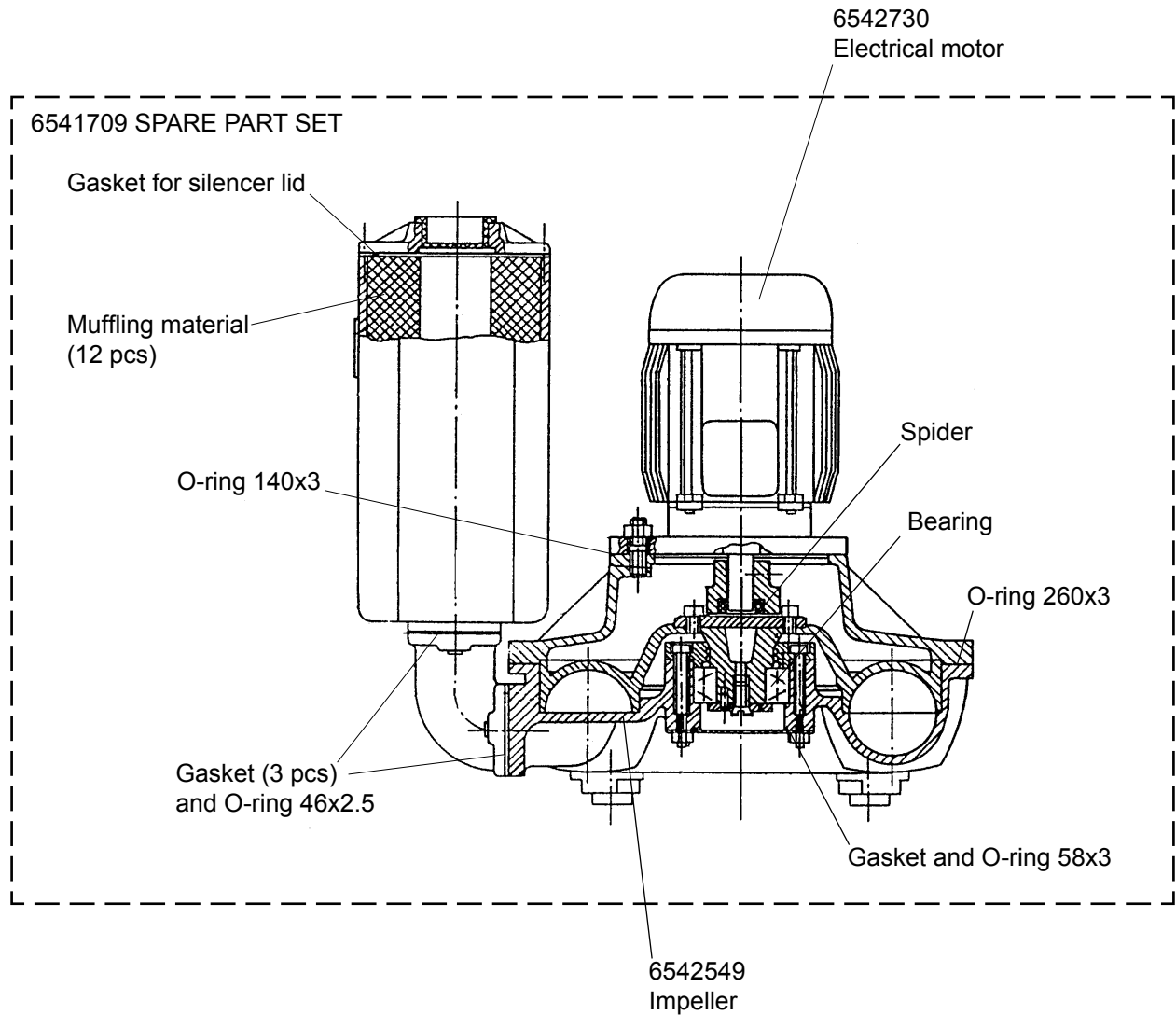
6543035 RECOMMENDED SPARE PART KIT:

- 1 x 5490548 Anti-friction bearing, drive side
 1 x 5490566 Anti-friction bearing, non drive side
 1 x 5490580 Mechanical seal
 1 x 5490590 Gasket



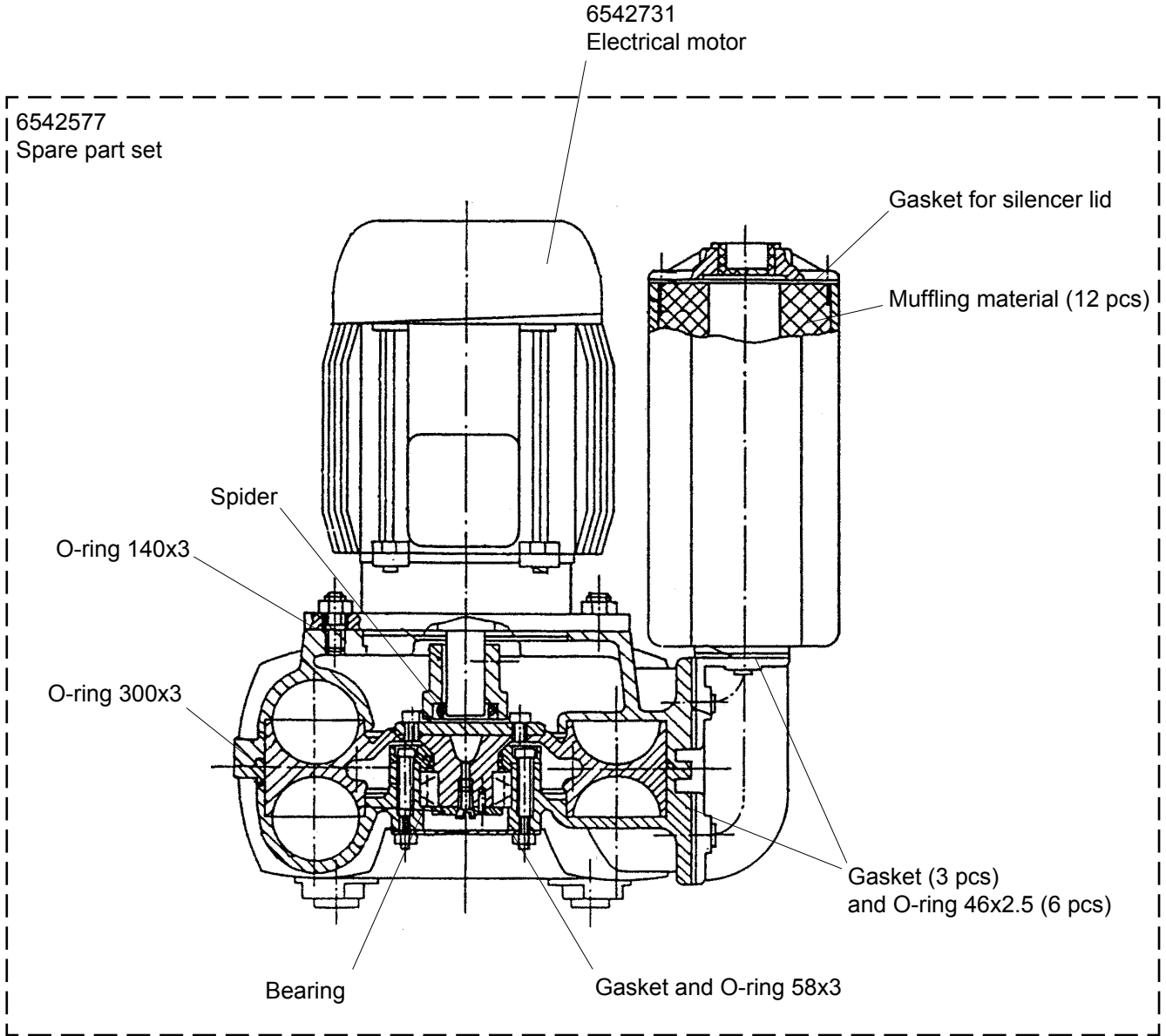
6542675 DOSING PUMP SET, CHEMICAL TANK 5 L



70302001 AIR BLOWER V12YR, 400 V 50 Hz, 690 V 50 Hz, 460 V 60 Hz

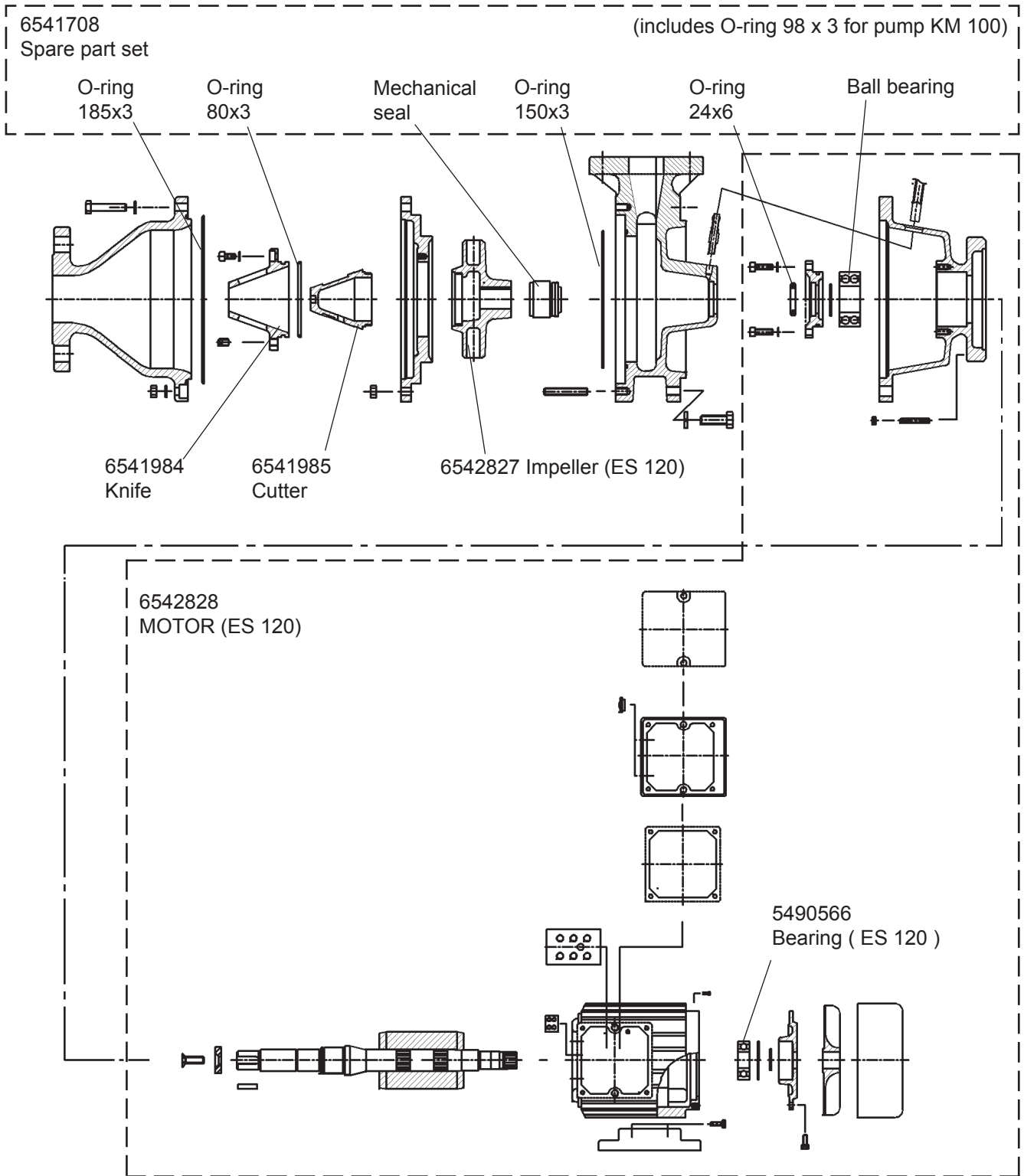
! NOTE: Spare parts included in spare part set are not sold separately.

70303001 AIR BLOWER V22YR, 3×400/460 V, 50/60 Hz



! NOTE: Spare parts included in spare part set are not sold separately.

70235001 PUMP ES 120, 3x400/480 V, 50/60 Hz, IMPELLER Ø120



! NOTE: Spare parts included in spare part set are not sold separately.

SEWAGE TREATMENT PLANTS

REPLACING PRODUCTS

Old product:
P/N 70301001
Air blower V11Y
3 x 480V, 60Hz

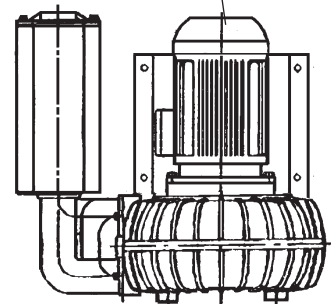
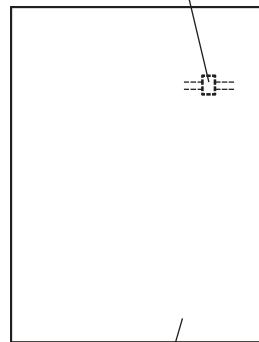
Replacing product

P/N 6542813 :

P/N 70302001 Air blower V12Y
+
P/N 6543936 Motor protector

Motor protector

Air blower V12Y



Control panel

4. WASTE TREATMENT SOLUTIONS

4.2 PHYSICAL / CHEMICAL SEWAGE TREATMENT

ORCA III

[Spare parts](#)



ORCA III

6549024 ORCA III 15
6549025 ORCA III 35

6549026 ORCA III 50
6549027 ORCA III 65

6549028 ORCA III 100
6549029 ORCA III 200

1 YEAR SPARE PARTS FOR ORCA III UNITS

(Macerator pump 25-110 series)

Component	Spare part		ORCA III 15	ORCA III 35	ORCA III 50	ORCA III 65	ORCA III 100	ORCA III 200
			Spare part kit, no.	Spare part kit, no.	Spare part kit, no.	Spare part kit, no.	Spare part kit, no.	Spare part kit, no.
	P/N	Name	6549647	6549649	6549651	6549653	6549655	6549657
Macerator pump (25-100 series)	6549045	Anti-friction bearing (non drive side)	X	X	X	X	X	X
	6549047	Gasket	X	X	X	X	X	X
	6549048	Gasket	X	X	X	X	X	X
	6549049	O-ring	X	X	X	X	X	X
	6549051	Labyrinth ring	X	X	X	X	X	X
Sludge - Sea water - Recirculation/ discharge pump	6549073	Kit, complete of gasget	X	X	X	X	X	X
	6549075	Kit complete of plug	X	X	X	X	X	X
	6549079	Impeller	X	X	-	-	-	-
	6549082	Impeller	-	-	X	X	X	-
	6549089	Impeller	-	-	-	-	-	X
Sea water - Recirculation/ discharge pump	6549084	Kit, complete of gasket	-	-	-	-	X	-
	6549089	Impeller	-	-	-	-	X	-
	6549094	Impeller	-	-	-	-	-	X
Dosing pump	6549099	Maintenance kit	X	-	-	-	-	-
	6549100	Maintenance kit	-	X	X	X	X	X
Solenoid valve	6549135	Coil	-	-	-	-	X	X
	6549132	Coil	X	X	X	X	-	-
3-way pneumatic valve	6549104	Actuator	X	X	X	X	X	X
	6549105	Plug	X	X	X	X	X	X
Sacrificial anode	6549984	Sacrificial anode	X	X	X	X	-	-
	6549985	Sacrificial anode	-	-	-	-	X	X
Disc filter	6549110	Disc filter	X	X	X	X	X	X



ORCA III

6549024 ORCA III 15
6549025 ORCA III 35

6549026 ORCA III 50
6549027 ORCA III 65

6549028 ORCA III 100
6549029 ORCA III 200

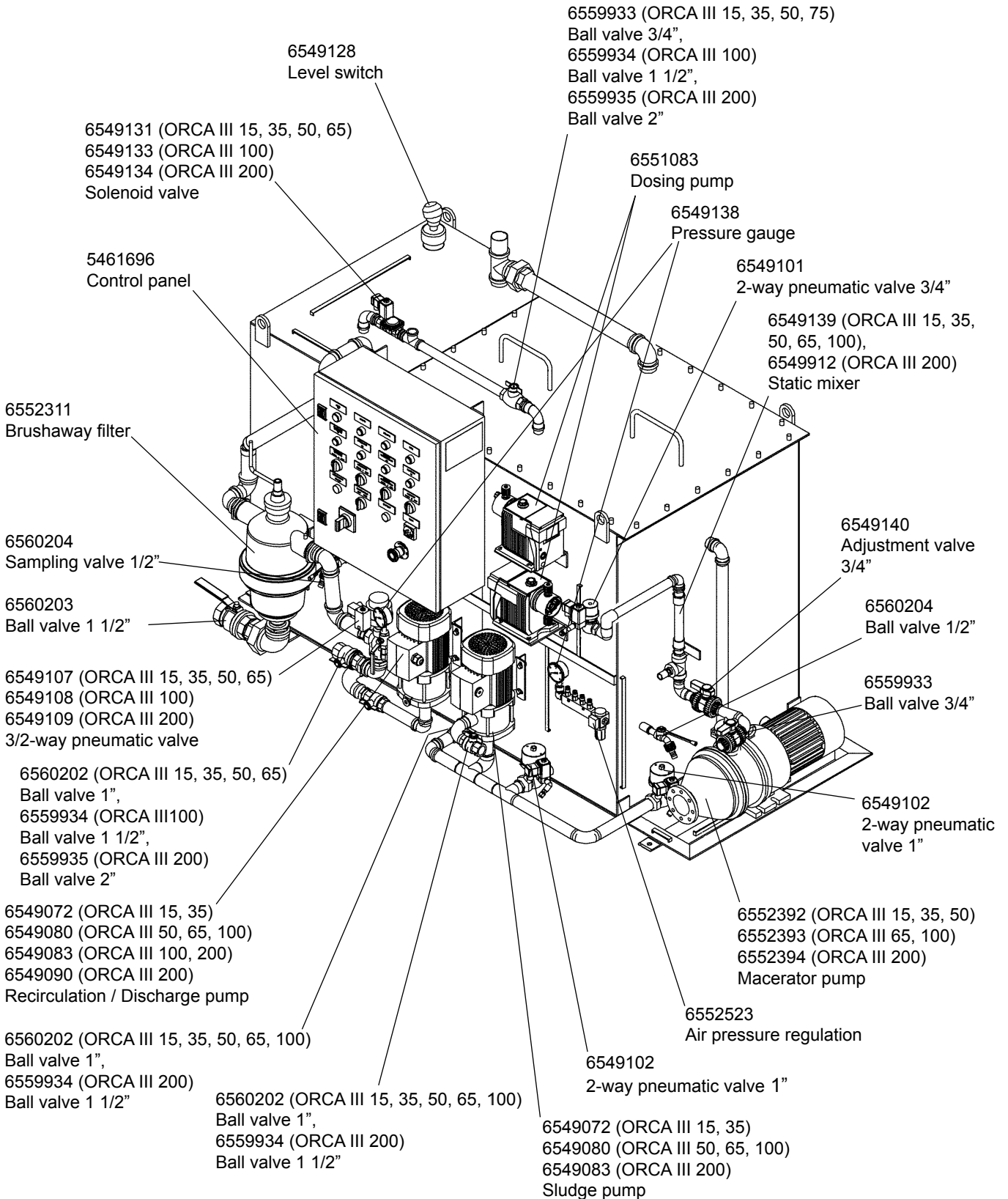
1 YEAR SPARE PARTS FOR ORCA III UNITS

(Macerator pump KM100 series)

Component	Spare part		ORCA III 15	ORCA III 35	ORCA III 50	ORCA III 65	ORCA III 100	ORCA III 200
			Spare part kit, no.	Spare part kit, no.	Spare part kit, no.	Spare part kit, no.	Spare part kit, no.	Spare part kit, no.
	P/N	Name	6553862	6553859	6553863	6553860	6553864	6553928
Macerator pump (KM100 series)	6552346	Angular ball bearing	X	X	X	X	X	X
	6552347	O-ring	X	X	X	X	X	X
	6552360	End, face seal	X	X	X	X	X	X
Sludge pump	6549073	Kit, gasget complete	X	X	X	X	X	-
	6549084	Kit, gasket complete	-	-	-	-	-	X
	6549075	Kit, plug complete	X	X	X	X	X	X
	6549079	Impeller	X	X	-	-	-	-
	6549082	Impeller	-	-	X	X	X	-
	6549089	Impeller	-	-	-	-	-	X
Sea water - Recirculation/ discharge pump	6549084	Kit, gasget complete	-	-	-	-	X	-
	6549089	Impeller	-	-	-	-	X	-
	6549094	Impeller	-	-	-	-	-	X
Dosing pump	6551142	Maintenance kit	X	X	X	X	X	X
Solenoid valve	6549132	Coil	X	X	X	X	-	-
	6549135	Coil	-	-	-	-	X	X
3-way pneumatic valve	6549104	Actuator	X	X	X	X	X	X
	6549105	Plug	X	X	X	X	X	X
Sacrificial anode	6549983	Sacrificial anode	X	X	X	X	X	-
	6549984	Sacrificial anode	-	-	-	-	-	X
2" T Brushaway filter	6552314	O-ring	X	X	X	X	X	X
	6552320	O-ring seal	X	X	X	X	X	X
	6552324	Cap seal	X	X	X	X	X	X

ORCA III

6549024	ORCA III 15	6549026	ORCA III 50	6549028	ORCA III 100
6549025	ORCA III 35	6549027	ORCA III 65	6549029	ORCA III 200



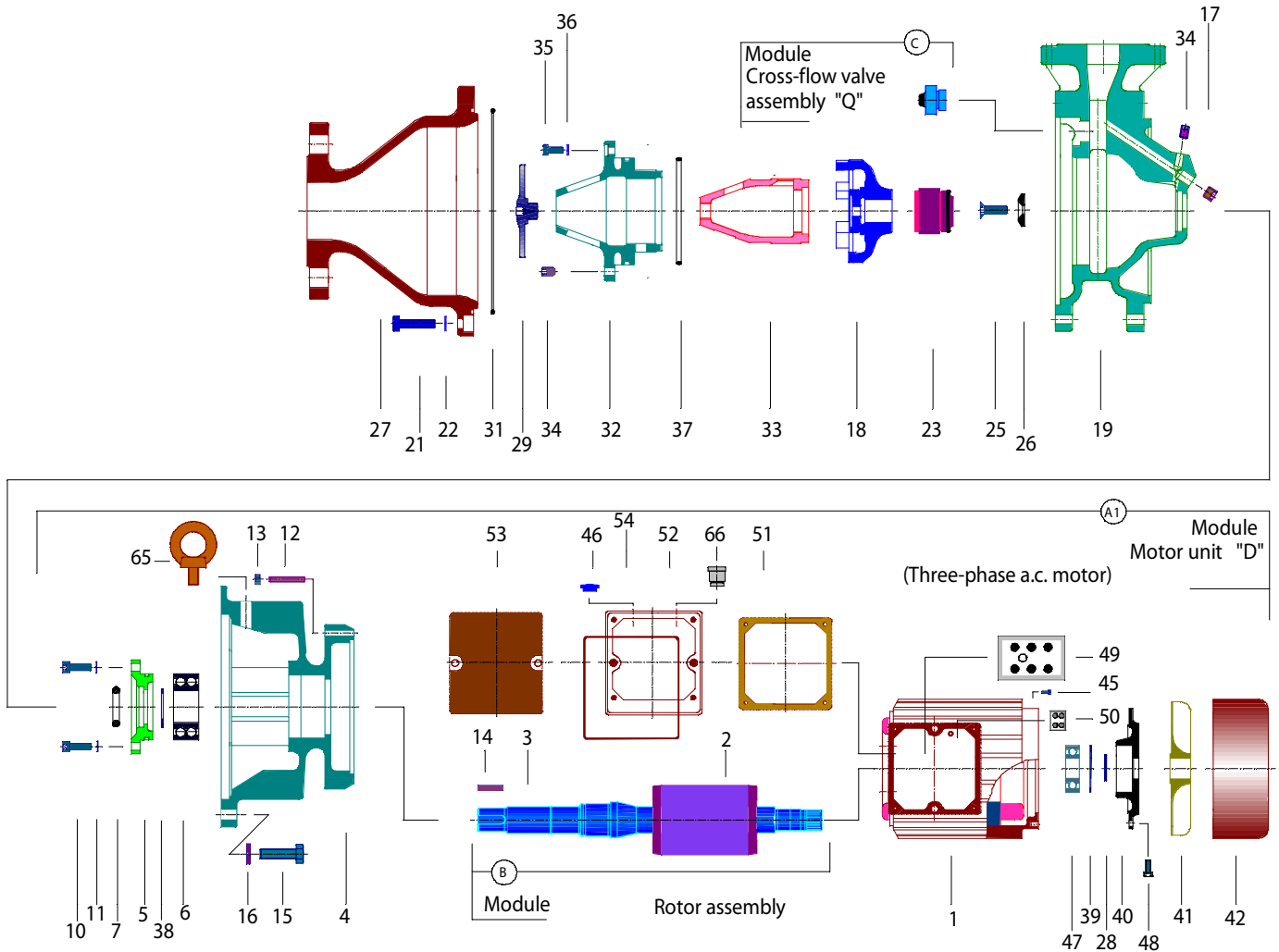
ORCA III 15, 35, 50, 65, 100 & 200

Macerator Pump

6552392 Pump OMCRP 100/6

6552393 Pump OMCRP 100/4

6552394 Pump OMCRP 100/2



ORCA III Model	Pump model	P/N Evac Pump and motor complete	P/N Evac Motor	P/N Evac Pump body
ORCA III 15, 35, 50,	OMCRP 100-6	6552392	6552398	6552395
ORCA III 65, 100	OMCRP 100-4	6552393	6552399	6552396
ORCA III 200	OMCRP 100-2	6552394	6552400	6552397

**ORCA III 15, 35, 50, 65, 100 & 200**

Macerator Pump

6552392 Pump OMCRP 100/6

6552393 Pump OMCRP 100/4

6552394 Pump OMCRP 100/2

Pos	Q.	Description	P/N Evac
1	1	Pedestal, complete all versions	x
2	1	Rotor package all versions	x
3	1	Shaft all versions	x
4	1	Pump skirt all versions	x
5	1	Bearing cover	6552345
6	1	Angular ball bearing 3206 2RS C0	6552346
7	1	O-ring 24x6 70NBR	6552347
9	1	Wiper	x
10	4	Hexagon socket screw M6x20 ISO4762-A2	6552348
11	4	Spring lock washer 6 DIN127-A2	6552349
12	3	Spring lock washer M5x40 DIN938-A2	6552350
13	3	Hexagon nut M5 ISO7042-A2	6552351
14	1	Parallel key B6/6x22 DIN6885	6552352
15	4	Hexagon screw M10x35 ISO4014-A2	6552353
16	4	lock washer B10 DIN127-A2	6552354
17	1	Grub screw M12x10 ISO4026-A2	6552355
18	1	Rotary disk ϕ 100mm	6552356
19	1	Pump housingt all versions	6552357
20	1	Locking screw M16x1,5 DIN908-A2	x
21	5	Hexagon screw M8x35 ISO4014-A2	6552358
22	5	Spring lock washer B8 DIN127-A2	6552359
23	1	End-face seal product-end	6552360
25	1	Countersunk screw M8x30 DIN7991-A2	6552361
26	1	Rotor disc retaining washer	6552362
27	1	Intake 50 / 235	6552363
28	1	Locking ring 25 DIN471	x
29	1	Cyclone	6552364
31	1	O-ring 185x3 70NBR	6552365
32	1	Multiple knife	6552366

**ORCA III 15, 35, 50, 65, 100 & 200**

Macerator Pump

6552392 Pump OMCRP 100/6

6552393 Pump OMCRP 100/4

6552394 Pump OMCRP 100/2

33	1	Multiple cutter	6552367
34	5	Grub screw M8x12 ISO4026-A2	6552368
35	4	Hexagon socket screw M6x16 DIN7984-A2	6552369
36	4	Spring lock washer 6 DIN7980-A2	6552370
37	1	O-Ring 98x3 70NBR Spring lock washer	x
38	1	Locking ring 30 DIN471	6552371
39	1	Undular washer	x
40	1	End plate	x
41	1	Blower	x
42	1	Rotor hood	x
43	2	Motor base	x
44	4	Hexagon screw M6x35 ISO4017-A2	x
45	2	Cheese head screw M4x5 ISO1207:ZN	x
46	1	Sealing plug M25	x
47	1	Grooved ball bearing all versions	x
48	3	Hexagon socket screw M5x20 ISO4762:ZN	x
49	1	Terminal base	x
50	1	Terminal strip	x
51	1	Flat packing	x
52	1	terminal box lower section	x
53	1	terminal box cover	x
54	1	terminal box lower section	x
65	1	Lifting eye bolts M10 ISO3266-A2	x
66	1	Discharge resistor M25	x
67	1	Pump base	x
68	2	Hexagon socket screw M10x30 ISO4762-A2	x

NOTE: For enquiries and orders of spare parts please let us have the serial numbers of the sewage treatment unit.



ORCA III 15, 35

Recirculation/Discharge – Sludge – Seawater Pump

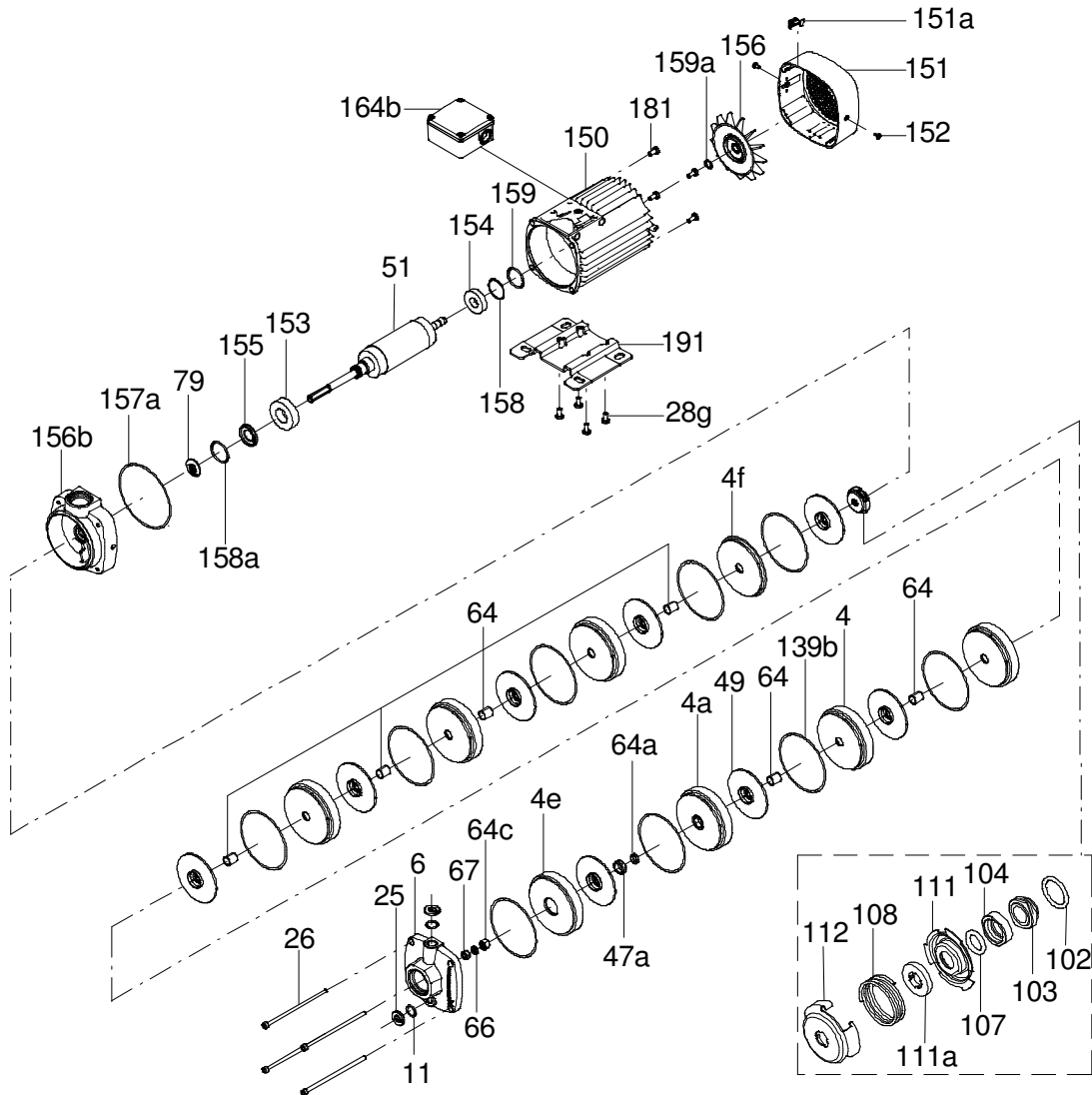
6549072 Pump ORSSP1-4, 3 x 380-415V / 50Hz, 3 x 440-480V / 60Hz

2	Kit, motor bearing Complete	6549074	1
2.1	79 Diverting disc		1
2.2	79 Diverting disc		1
2.3	151.a Installation indicator		1
2.4	153 Ball bearing		1
2.5	154 Ball bearing		1
2.6	155 Bearing cover		1
2.7	155 Bearing cover		1
2.8	158 Corrugated spring		1
2.9	158.a O-ring		1
2.10	159 O-ring		1
3	Kit, plug Complete	6549075	1
3.1	11 O-ring		2
3.2	11 O-ring		2
3.3	25 Plug		2
4	Kit, repair Complete	6549076	1
4.1	45 Neck ring		14
4.2	65 Neck ring retainer		14
5	4.e Chamber, bottom	6549077	1
6	6 Inlet part	6549078	1
7	49 Impeller	6549079	4

ORCA III 50, 65 Recirculation/Discharge – Sludge – Seawater Pump

ORCA III 100 Sludge Pump

6549080 Pump ORSSP5-2, 3 x 380-415V / 50Hz, 3 x 440-480V / 60Hz



A/A	No.	Description	P/N EVAC	Qty.
1		Kit, gaskets Complete	6549073	1
1.1	64.c	Clamp		1
1.2	66	Washer		1
1.3	67	Lock nut		1
1.4	102	O-ring		1
1.5	102	O-ring		1
1.6	103	Seal ring, stationary		1
1.7	104	Rotating seal face		1
1.8	107	O-ring		1
1.9	107	O-ring		1
1.10	108	Spring		1
1.11	111	Retainer for seal ring		1
1.12	111.a	Stop ring		1
1.13	112	Driver for shaft seal		1
1.14	139.b	Gasket		10

**ORCA III 50, 65** Recirculation/Discharge – Sludge – Seawater Pump**ORCA III 100** Sludge Pump

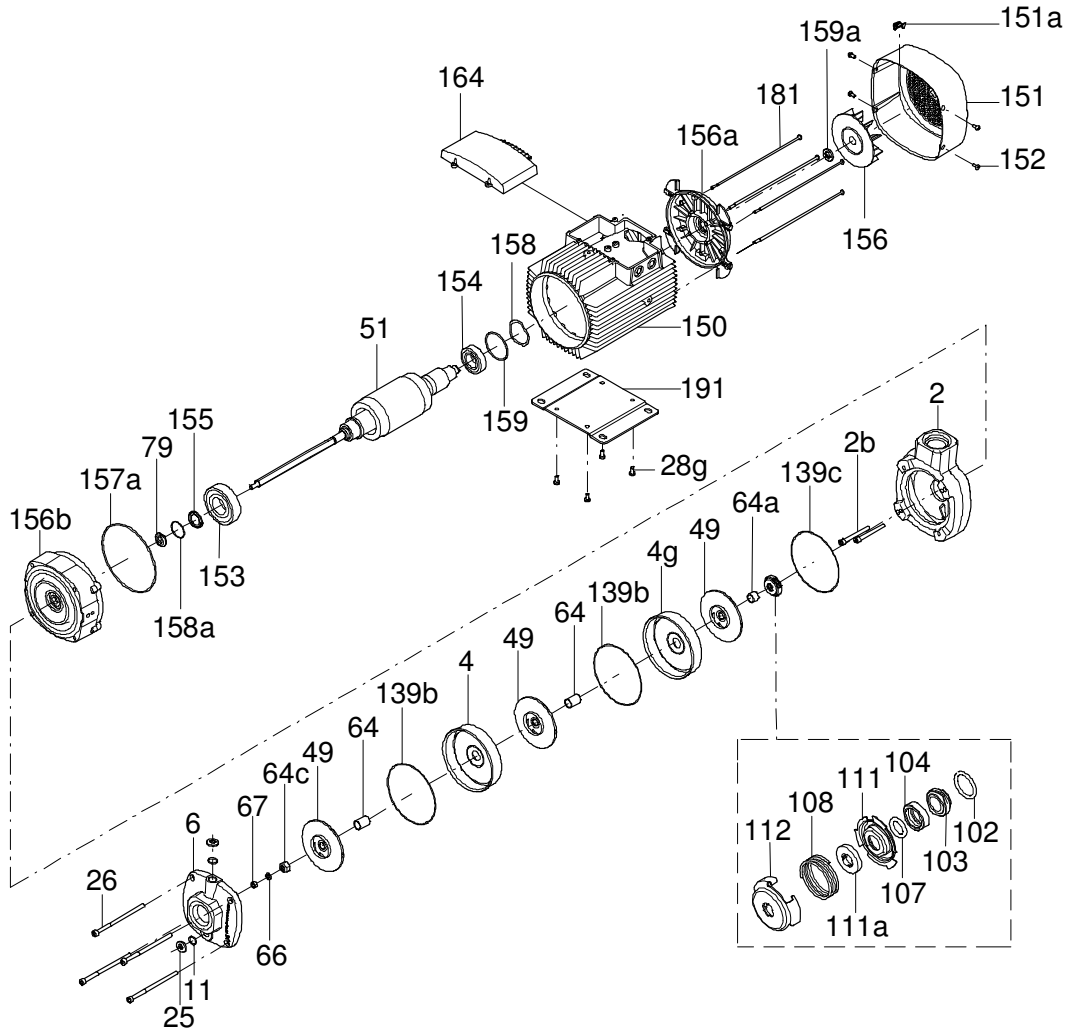
6549080 Pump ORSSP5-2, 3 x 380-415V / 50Hz, 3 x 440-480V / 60Hz

2	Kit, motor bearing Complete	6549074	1
2.1	79 Diverting disc		1
2.2	79 Diverting disc		1
2.3	151.a Installation indicator		1
2.4	153 Ball bearing		1
2.5	154 Ball bearing		1
2.6	155 Bearing cover		1
2.7	155 Bearing cover		1
2.8	158 Corrugated spring		1
2.9	158.a O-ring		1
2.10	159 O-ring		1
3	Kit, plug Complete	6549075	1
3.1	11 O-ring		2
3.2	11 O-ring		2
3.3	25 Plug		2
4	Kit, repair Complete	6549076	1
4.1	45 Neck ring		14
4.2	65 Neck ring retainer		14
5	4.e Chamber, bottom	6549077	1
6	6 Inlet part	6549081	1
7	49 Impeller	6549082	2

ORCA III 100 Recirculation/Discharge – Seawater Pump

ORCA III 200 Sludge Pump

6549083 Pump ORSSP10-2, 3 x 380-415V / 50Hz, 3 x 440-480V / 60Hz



A/A	No.	Description	P/N EVAC	Qty
1	Kit, gaskets Complete		6549084	1
1.1	64.c	Clamp		1
1.2	66	Washer		1
1.3	67	Lock nut		1
1.4	102	O-ring		1
1.5	102	O-ring		1
1.6	103	Seal ring, stationary		1
1.7	104	Rotating seal face		1
1.8	107	O-ring		1
1.9	107	O-ring		1
1.10	108	Spring		1
1.11	111	Retainer for seal ring		1
1.12	111.a	Stop ring		1
1.13	112	Driver for shaft seal		1
1.14	139.b	Gasket		6



ORCA III 100 Recirculation/Discharge – Seawater Pump

ORCA III 200 Sludge Pump

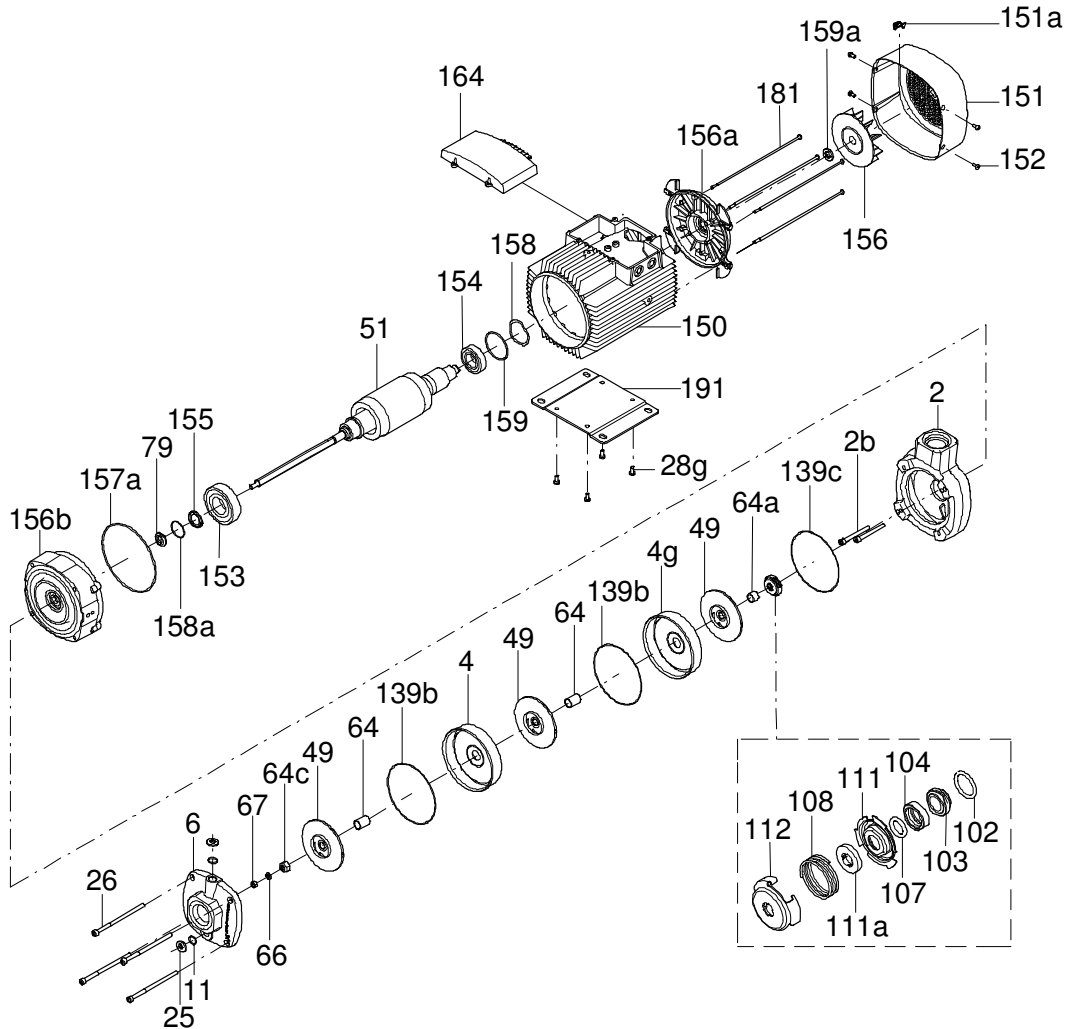
6549083 Pump ORSSP10-2, 3 x 380-415V / 50Hz, 3 x 440-480V / 60Hz

1.15	139.c	Gasket		1
2		Kit, motor bearing Complete	6549085	1
2.1	79	Diverting disc		1
2.2	79	Diverting disc		1
2.3	151.a	Installation indicator		1
2.4	153	Ball bearing		1
2.5	154	Ball bearing		1
2.6	155	Bearing cover		1
2.7	155	Bearing cover		1
2.8	158	Corrugated spring		1
2.9	158.a	O-ring		1
2.10	159	O-ring		1
2.11	159a	Gasket		1
3		Kit, plug Complete	6549075	1
3.1	11	O-ring		2
3.2	11	O-ring		2
3.3	25	Plug		2
4		Kit, repair Complete	6549086	1
4.1	45	Seal ring		8
4.2	65	Neck ring retainer		8
4.3	105	Shaft seal cpl.		1
5	4	Chamber w/o guide vanes	6549087	1
6	6	Inlet part	6549088	1
7	49	Impeller	6549089	2

ORCA III 200

Recirculation/Discharge – Seawater Pump

6549090 Pump ORSSP15-2, 3 x 380-415V / 50Hz, 3 x 440-480V / 60Hz



A/A	No.	Description	P/N EVAC	Qty
1	Kit, gaskets Complete		6549084	1
1.1	64.c	Clamp		1
1.2	66	Washer		1
1.3	67	Lock nut		1
1.4	102	O-ring		1
1.5	102	O-ring		1
1.6	103	Seal ring, stationary		1
1.7	104	Rotating seal face		1
1.8	107	O-ring		1
1.9	107	O-ring		1
1.10	108	Spring		1
1.11	111	Retainer for seal ring		1
1.12	111.a	Stop ring		1
1.13	112	Driver for shaft seal		1
1.14	139.b	Gasket		6
1.15	139.c	Gasket		1



ORCA III 200

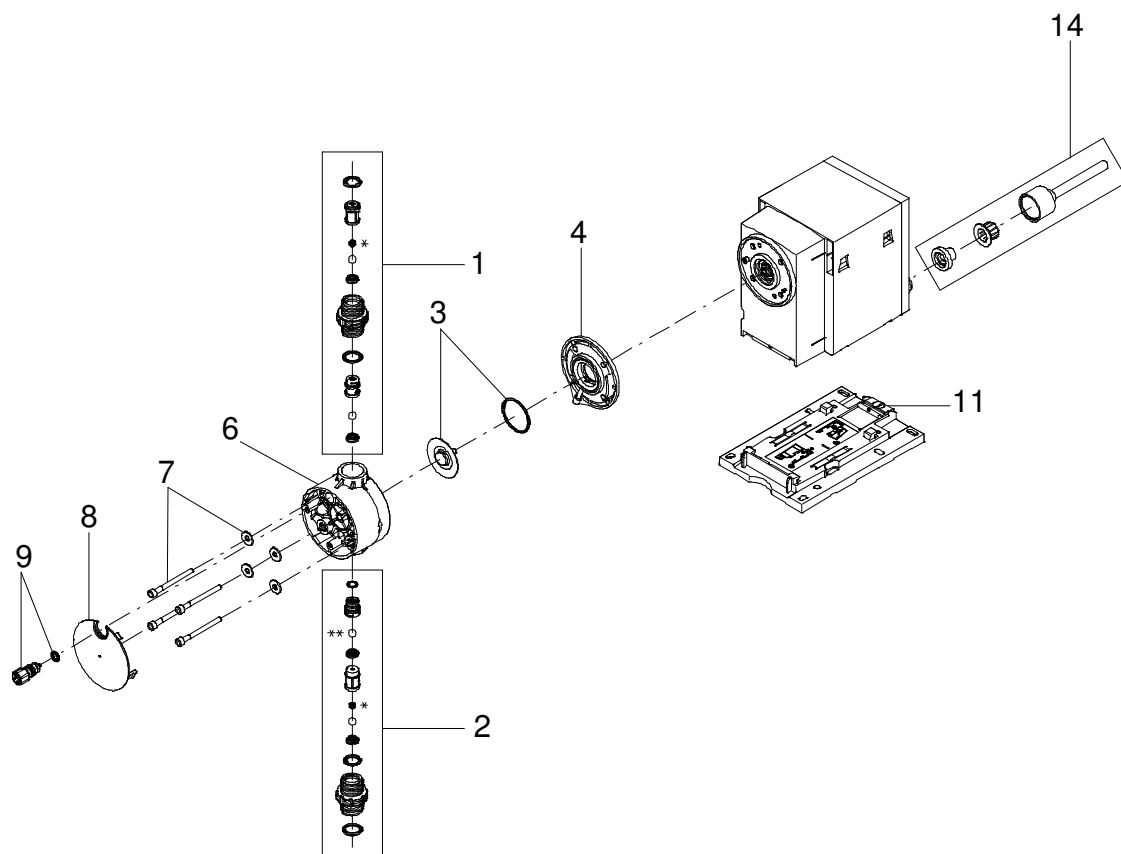
Recirculation/Discharge – Seawater Pump

6549090 Pump ORSSP15-2, 3 x 380-415V / 50Hz, 3 x 440-480V / 60Hz

2	Kit, motor bearing Complete	6549091	1
2.1	79 Diverting disc		1
2.2	79 Diverting disc		1
2.3	151.a Installation indicator		1
2.4	153 Ball bearing		1
2.5	154 Ball bearing		1
2.6	155 Bearing cover		1
2.7	155 Bearing cover		1
2.8	158 Corrugated spring		1
2.9	158.a O-ring		1
2.10	159 O-ring		1
2.11	159a Gasket		1
3	Kit, plug Complete	6549075	1
3.1	11 O-ring		2
3.2	11 O-ring		2
3.3	25 Plug		2
4	Kit, repair Complete	6549086	1
4.1	45 Seal ring		8
4.2	65 Neck ring retainer		8
4.3	105 Shaft seal cpl.		1
	Motor	6549092	1
5	4 Chamber w/o guide vanes	6549087	1
6	6 Inlet part	6549093	1
7	49 Impeller	6549094	2
8	191 Foot	6549095	1

ORCA III 15, 35, 50, 65, 100, 200

6551083 Dosing Pump DDE 6 - 10



No	Description	P/N Evac	Qty.	Unit
	Kit, diaphragm	6551140	1	PC
3	O-ring		1	PC
3	Diaphragm		1	PC
	Kit, pump head	6551141	1	PC
1	Valve		1	PC
2	Valve		1	PC
3	O-ring		1	PC
3	Diaphragm		1	PC
3	Diaphragm		1	PC
4	Pump head		1	PC
4	Screw		4	PC
6	Pump head		1	PC
7	Washer		4	PC
8	Disc		1	PC
9	Venting valve		1	PC
	Kit, valve	6551142	1	PC
1	Valve		1	PC
2	Valve		1	PC
3	O-ring		1	PC



DATE: 15/02/2013	Doc.002573-8a
Spare Parts	

ORCA III 15, 35, 50, 65, 100, 200
6551083 Dosing Pump DDE 6 - 10

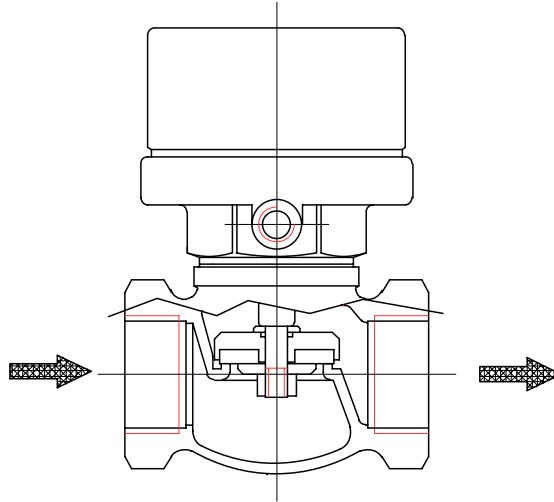
3	Diaphragm		1	PC
4	Screw		4	PC
7	Washer		4	PC
	Kit, valve	6551143	1	PC
1	Valve		1	PC
2	Valve		1	PC
11	Base plate	6551144	1	PC
14	Power cord	6551145	1	PC

ORCA III

6549101 2-way pneumatic valve 3/4"

6549102 2-way pneumatic valve 1"

6549103 2-way pneumatic valve 1 1/2"



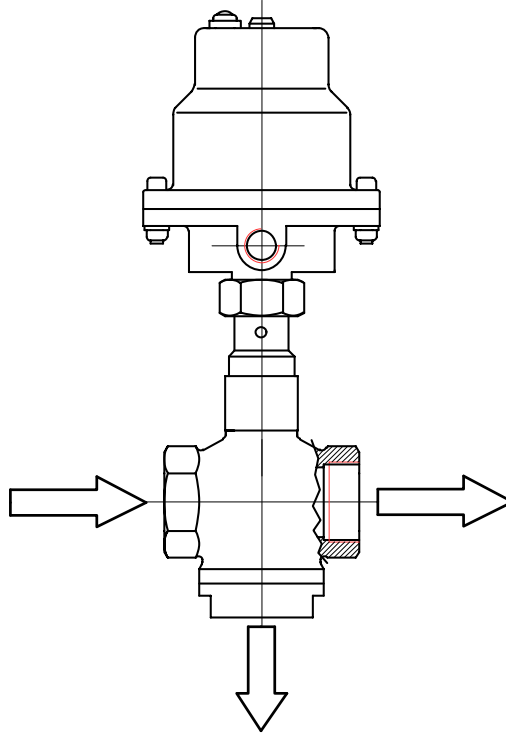
Description	Orca III Model	Qty.	P/N Evac
2 way pneumatic valve 3/4"	Orca III 15, 35, 50, 65, 100, 200	1 PC	6549101
2 way pneumatic valve 1"	Orca III 15, 35, 50, 65, 100	2 PC	6549102
2 way pneumatic valve 1"	Orca III 200	1 PC	6549102
2 way pneumatic valve 1 1/2"	Orca III 200	1 PC	6549103
Actuator 3/2, 1/8 220AC	Common parts to all models	1 PC	6549104
Plug		1 PC	6549105
Nipple		1 PC	6549106

ORCA III

6549107 3/2-way pneumatic valve 1"

6549108 3/2-way pneumatic valve 1 1/2"

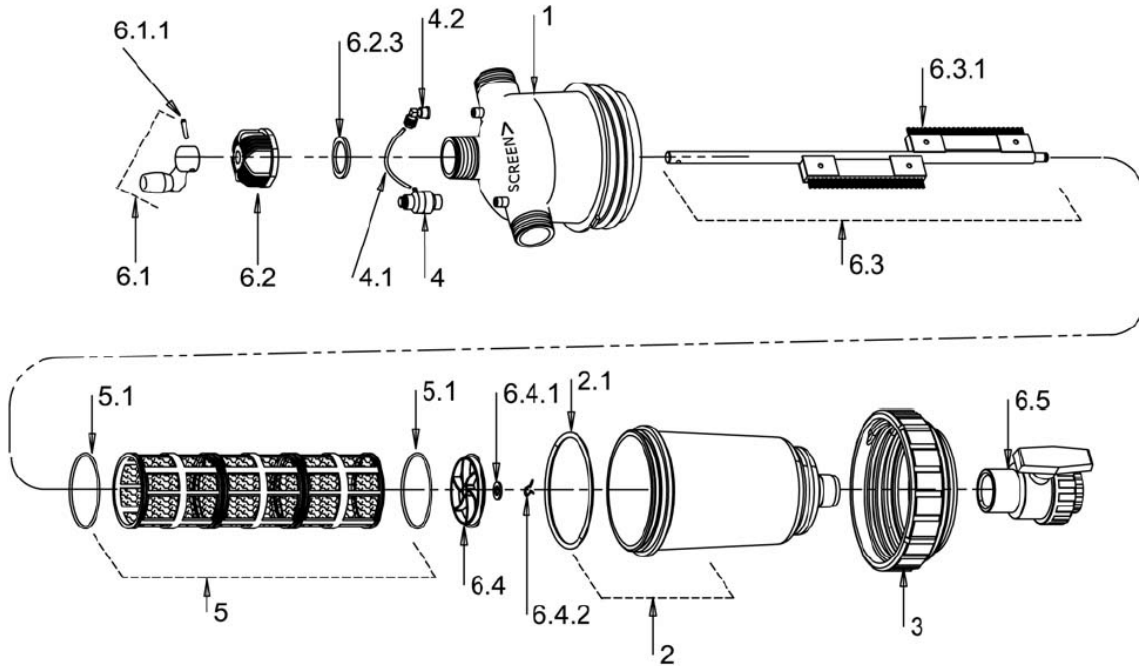
6549109 3/2-way pneumatic valve 2"



Description	Orca III Model	Qty.	P/N Evac
3/2 way pneumatic valve 1"	Orca III 15, 35, 50, 65	1 PC	6549107
3/2 way pneumatic valve 1 1/2"	Orca III 100	1 PC	6549108
3/2 way pneumatic valve 2"	Orca III 200	1 PC	6549109
Actuator 3/2, 1/8 220AC	Common parts to all models	1 PC	6549104
Plug		1 PC	6549105
Nipple		1 PC	6549106

ORCA III 15, 35, 50, 65, 100, 200

6552311 Brushaway filter 300 microns



No	Description	P/N EVAC
1	HOUSING 2"T/2"T-S PA BLACK BSPT	6552312
2	LID 2"T BSPT	6552313
2.1	O-RING P2-437 50SH 2"S LID NBR WELL LUB.	6552314
3	NYLON TIGHTENING NUT BLACK (T FILTER)	6552315
4	PRESSURE DIF. INDICATOR	6552316
4.1	CONTROL TUBE 6MM BLACK	6552317
4.2	L-CONNECTOR 1/4"MX6MM BLACK-RED	6552318
5	WEAVEWIRE ST316 465SQ.CM S300MIC F/2"PL	6552319
5.1	O-RING SEAL P2-242 (2"/3" SCREEN)NBR"S"	6552320
6.1	OPERATING HANDLE (2"-4")	6552321
6.1.1	PIN SUCTION SCANNER HANDLE	6552322
6.2	CAP ASSEMBLY 2" (DRILLED) BSPT	6552323
6.2.3	CAP SEAL 2"NBR	6552324
6.3	BRUSH ASSEMBLY 2"T	6552325
6.3.1	PLASTIC BRUSH UNIT (242MM) 2"T/8" B/A	6552326
6.4	CENTERING RING FOR BRUSH SHAFT	6552327
6.4.1	FLAT WASHER M12 DIN125 S/ST304	6552328
6.4.2	AXIS LOCKING SPRING	6552329
6.5	BALL VALVE 1 1/2",PVC,THREADED	6552330

Assembly procedure:

1. Release the pressure and drain the filter.
2. Remove the filter lid and screen.

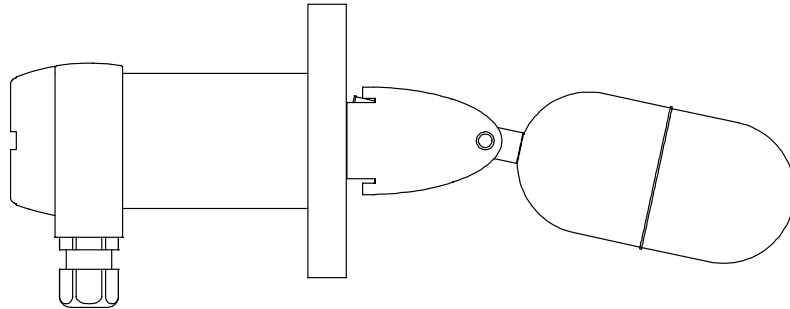
**ORCA III 15, 35, 50, 65, 100, 200**

6552311 Brushaway filter 300 microns

3. Tighten the Cap Assembly (#6.2) on the upper port thread of the filter. Verify that the seal (#6.2.5) is in its place.
4. Lubricate the Brush Unit Shaft with some silicon grease and insert it through the filter housing (#1) into the central hole of the Cap Assembly (#6.2).
5. Install the Handle (#6.1) on the Shaft by means of the pin (#6.1.1).
6. Install the Centering Disc (#6.4) on the bottom edge of the Screen Cylinder (#5).
7. Install the Screen Cylinder (#5) inside the filter housing, the Brush Unit (#6.3) should pass through the Screen Cylinder and the Brush unit Lower Shaft should come out from the central hole of the Centering Disc.
8. Place the Washer (#6.4.1) and lock it with the Axis Locking Spring (#6.4.2).
9. Close the filter lid and tighten it with the Tightening Nut (#3).
10. Install a 1/12" Ball Valve (#6.5). If the ball valve is not supplied with the kit, a manual 1 1/2" valve must be installed.
11. Rotate the handle clockwise to verify smooth movement.
12. Optional: Install the Clogging Indicator on the 1/4" inlet pressure check port. Connectors (#4.2) should be installed on the 1/4" outlet port. The 6-mm tube should be connected between the Connector (#4.2) and the Clogging Indicator (#4).



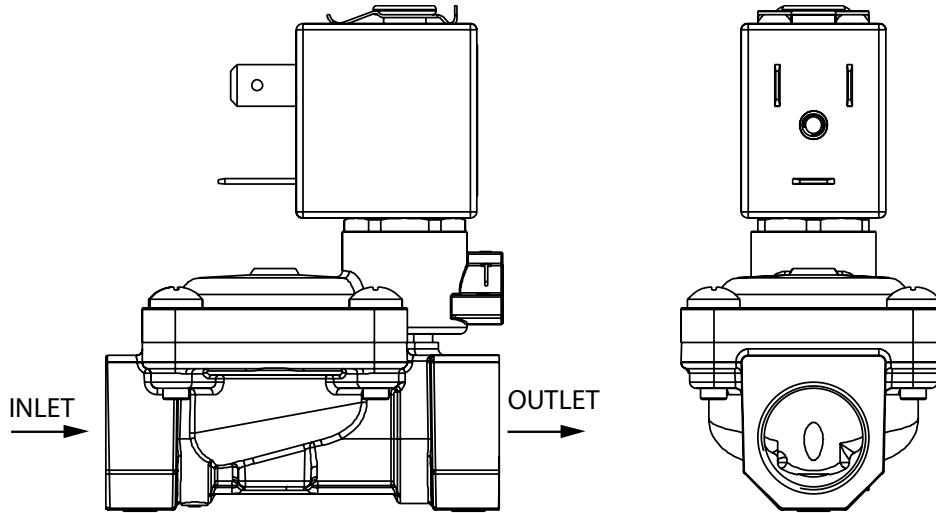
ORCA III 15, 35, 50, 65, 100, 200
6549128 Holding Tank Level Switch



Description	P/N Evac
Holding Tank Level Switch	6549128
Bolts and gaskets	6549129
Counter flanges	6549130

ORCA III

6549131 3/4" Solenoid valve

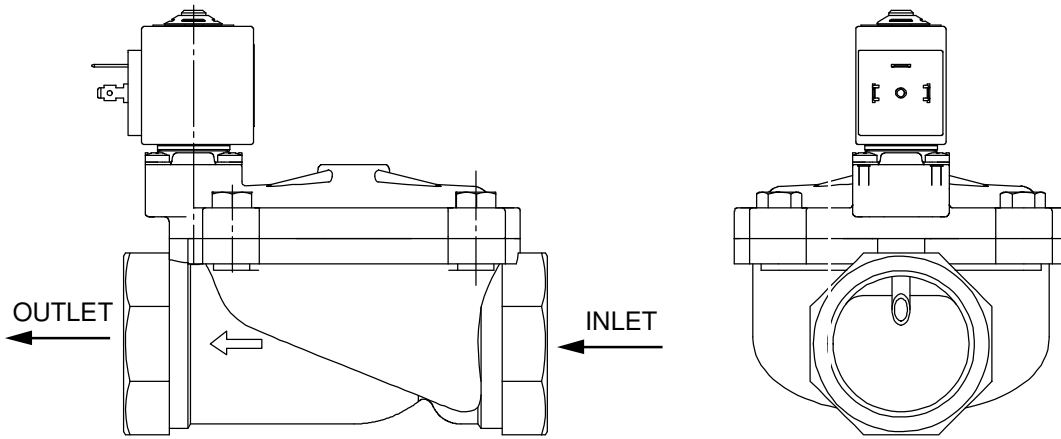


Description	Orca III Model	Qty	P/N Evac
Solenoid valve 3/4"	Orca III 15, 35, 50, 65	1	6549131
Coil	Orca III 15, 35, 50, 65	1	6549132
Plug	Orca III 15, 35, 50, 65	1	6549176

ORCA III

6549133 1 1/2" Solenoid valve

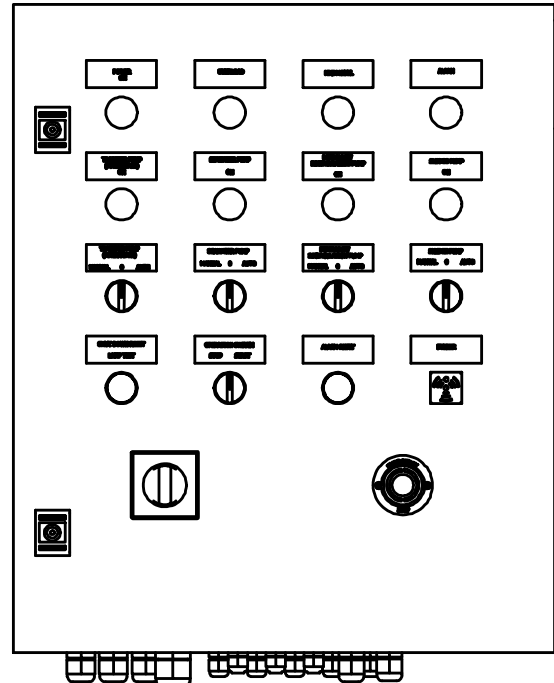
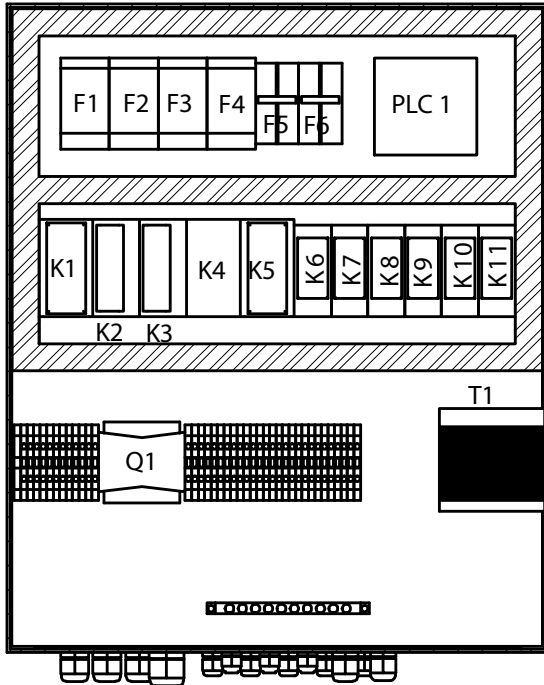
6549134 2" Solenoid valve



Description	Orca III Model	Qty.	P/N Evac
Solenoid valve 1 1/2"	Orca III 100	1	6549133
Solenoid valve 2"	Orca III 200	1	6549134
Coil	Orca III 100, 200	1	6549135
Plug	Orca III 100, 200	1	6549177
Diaphragm Kit	Orca III 100, 200	1	6549136

ORCA III 15, 35, 50, 65, 100, 200

5461696 Control panel



	Description	Type	P/N EVAC
	Control panel complete		5461696
	Cabin	NSYCRN65200	6549142
ORCA III 15-65			
F1	Motor circuit breaker (Voltage 380-480V)	GV2ME08	6549143
F2, F3, F4	Motor circuit breaker (Voltage 380-480V)	GV2ME07	6549144
ORCA III 100			
F1, F2, F3	Motor circuit breaker (Voltage 380-480V)	GV2ME08	6549143
F4	Motor circuit breaker (Voltage 380-480V)	GV2ME07	6549144
ORCA III 200			
F1	Motor circuit breaker (Voltage 380-480V)	GV2ME10	6549171
F2, F3	Motor circuit breaker (Voltage 380-480V)	GV2ME14	6549901
F4	Motor circuit breaker (Voltage 380-480V)	GV2ME08	6549143
F1, F2, F3, F4	Auxiliary contact block	GVAE11	6549145
F5, F6	Switch-fuse	C60N2C2	6549146
PLC1	TWIDO LOGIC CONTROLLER	TWDLCAA24DRF	6549147
ES	Emergency stop button	XB4BS542	6549148
B1, B2	Push button NO	XB4BA21	6549149
B2	Auxiliary Contact block NO	ZBE101	6549150
K1, K2, K3, K4, K5	Contactors	LC1D09P7	6549616
K1	Auxiliary contact	LADN22	6549617



ORCA III 15, 35, 50, 65, 100, 200

5461696 Control panel

K2, K3	Auxiliary contact	LADN11	6549618
K5	Auxiliary contact	LADN40	6549619
K6, K7, K8, K9, K10, K11	MINATURE RELAY	RXM4AB1P7	6549620
K6, K7, K8, K9, K10, K11	SIMPLE SOCKET	RXZE2M114M	6549621
Q1	Main switch	VARIO VCF0	6549622
Q1	Axle	25-40AV217	6549623
Q1	DOOR INTERLOCC	VARIO KZ32	6549624
T1	TRANSFORMER	STO160	6549625
S1, S2, S3, S4	Switch	XB4BD33	6549626
S3, S4	Auxiliary Contact block NO	ZBE101	6549627
S5	Switch	XB4BD21	6549628
BZ1	BUZZER	AC 90~240V	6549629
L1	LED-signal lamp, white	AD 22-22DSW	6549630
L2, L3, L4, L5	LED-signal lamp, green	AD 22-22DSG	6549631
L6, L7, L8	LED-signal lamp, red	AD 22-22DSR	6549632
	CABLE GLAND	PG-9	6549633
	CABLE GLAND	PG-11	6549634
	CABLE GLAND	PG-13,5	6549635
	CABLE GLAND	PG-16	6549636
	CABLE GLAND	PG-29	6553611
X1 1-12, X2 13-41	TERMINAL AB1	AB1VV435U	6549637
X1 12, X2 28, X2 41	TERMINAL END PLATE	AB1AC24	6549638
X2 41	GROUND TERMINAL	AB1TP435U	6549639
	TERMINAL STOP	AB1AB8P35	6549640

4. WASTE TREATMENT SOLUTIONS

4.3 EVAC STANDARD MBR UNITS

EVAC MBR 8 - 32

EVAC MBR 8C - 32C

EVAC MBR 40 - 240

EVAC MBR 40C - 240C

[Spare parts](#)

STANDARD MBR UNITS

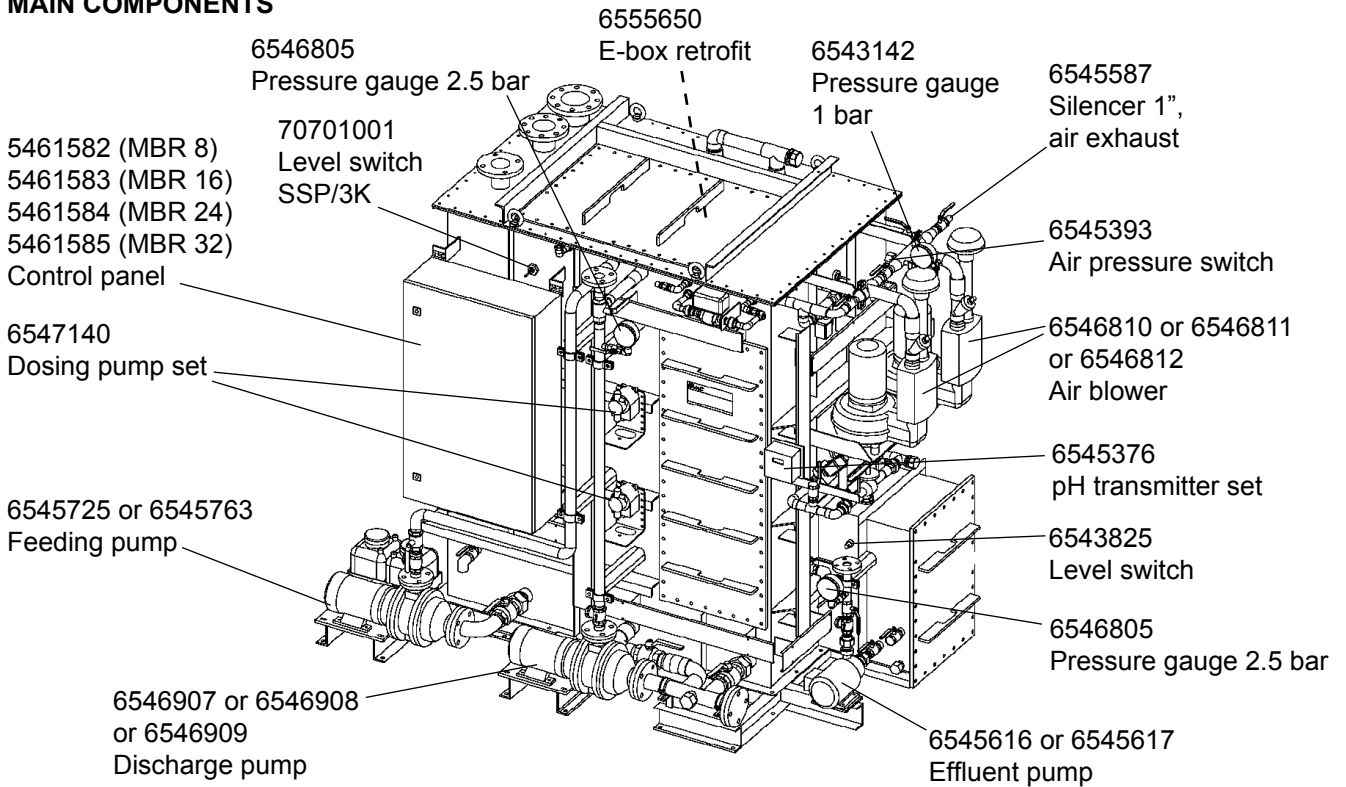
6545260 EVAC MBR 8 6545268 EVAC MBR 24
 6545264 EVAC MBR 16 6545272 EVAC MBR 32

P/N 5913502 is replaced by P/N 6546805 (Pressure gauge)

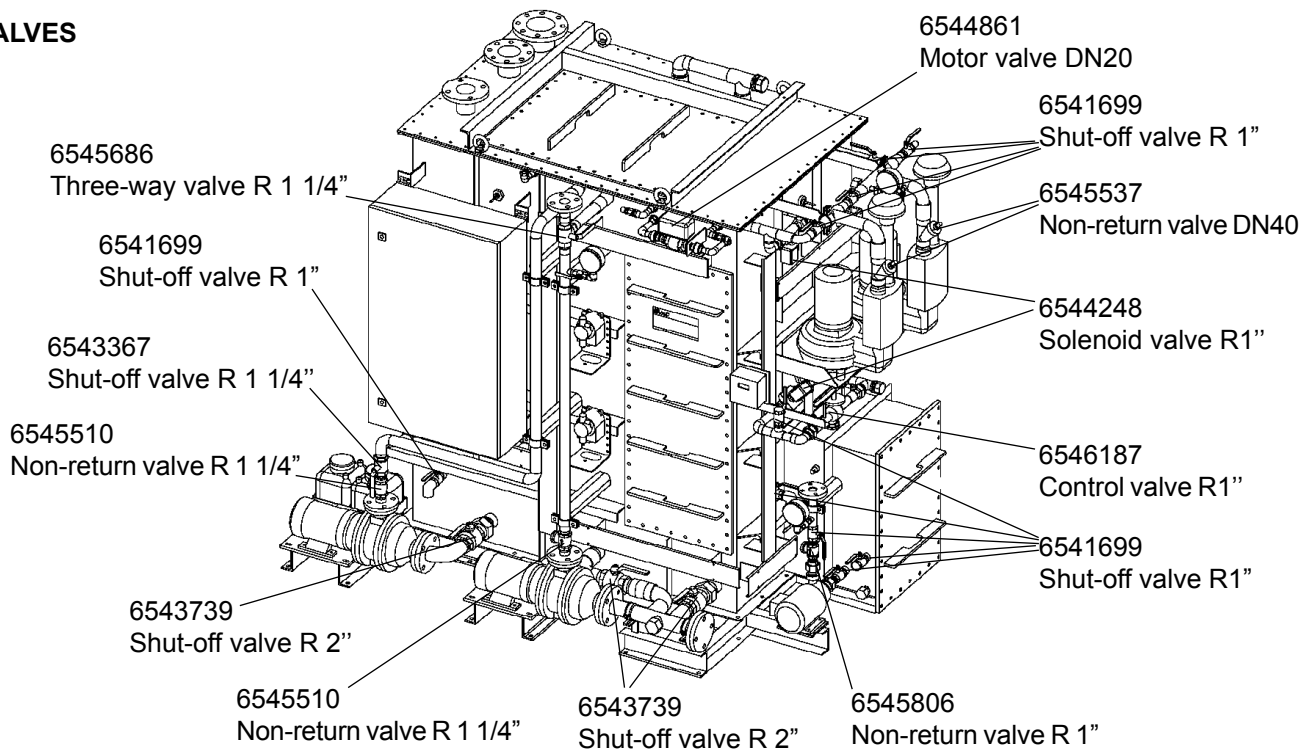
P/N 6544066 (M-box) is replaced by P/N 6555650 (E-box retrofit)

P/N 6548992 (Full frame membrane) is replaced by P/N 6555744 (E-box 2)

MAIN COMPONENTS



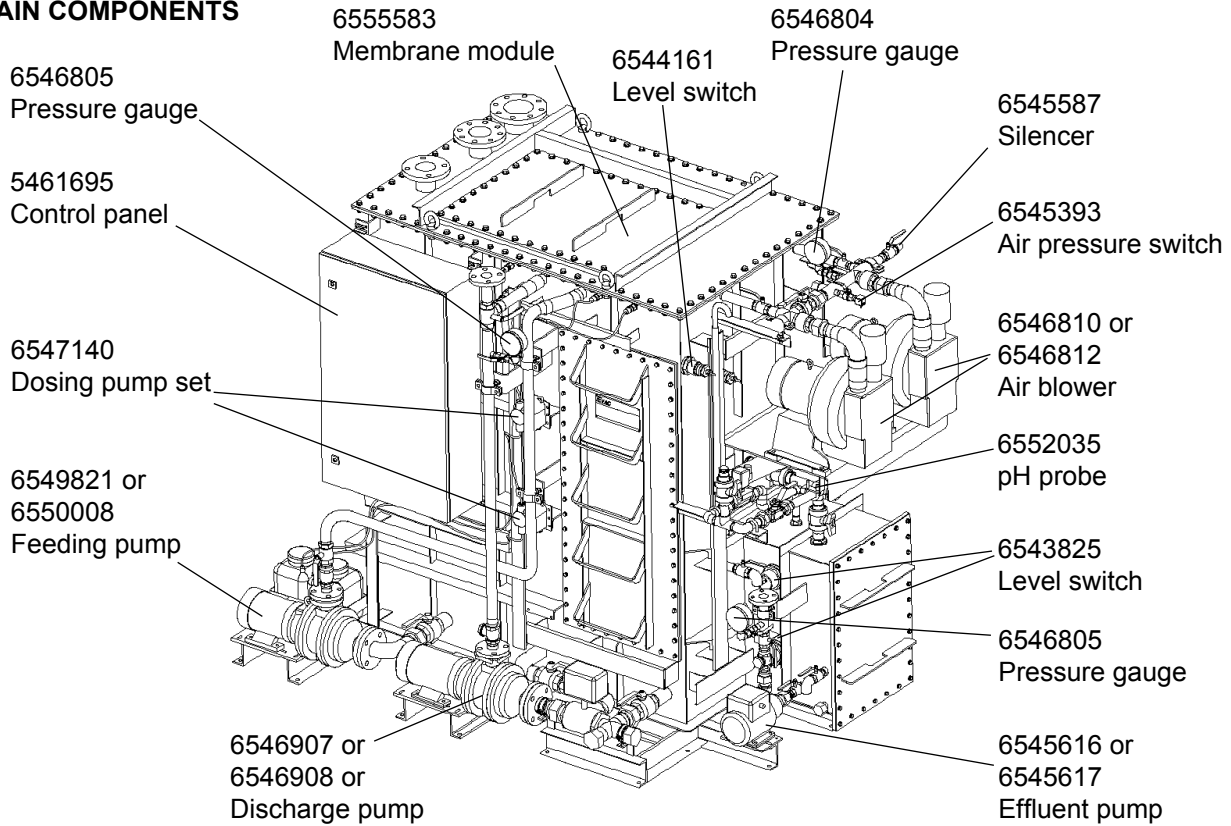
VALVES



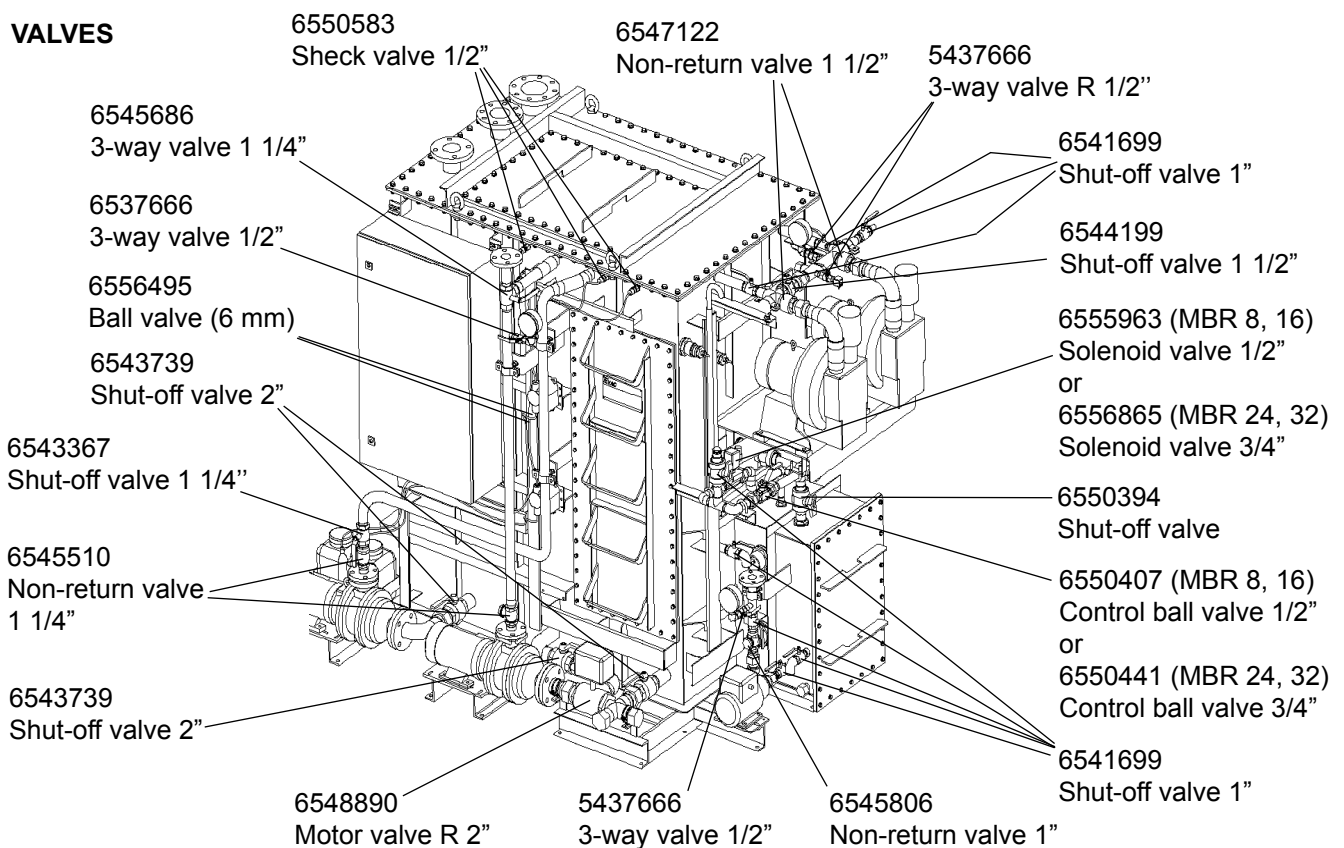
STANDARD MBR UNITS

6549370 EVAC MBR 8 6549374 EVAC MBR 24
 6549372 EVAC MBR 16 6549376 EVAC MBR 32

MAIN COMPONENTS



VALVES



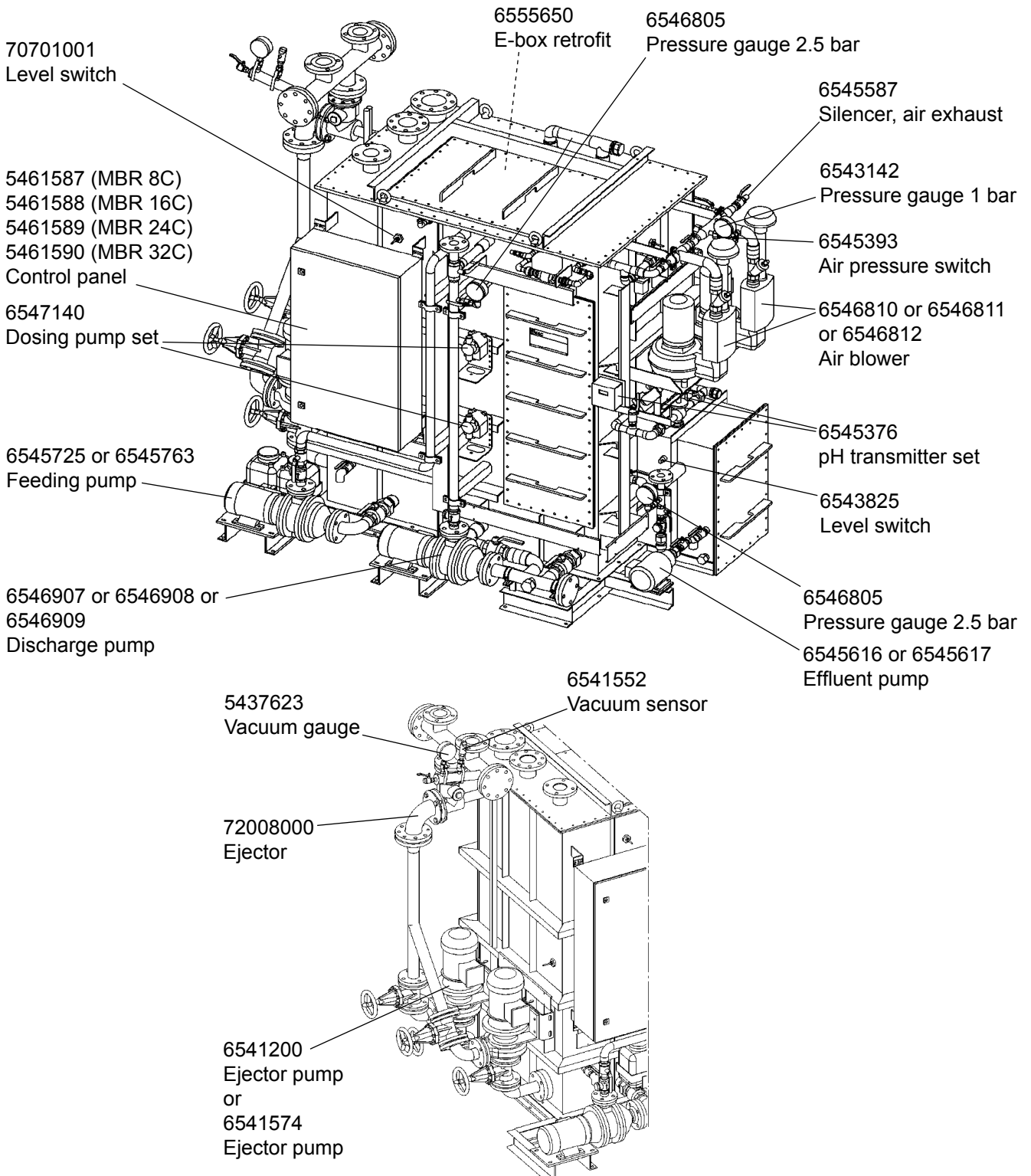
STANDARD MBR UNITS

6545261 EVAC MBR 8C 6545269 EVAC MBR 24C
 6545265 EVAC MBR 16C 6545273 EVAC MBR 32C

P/N 5913502 is replaced by P/N 6546805 (Pressure gauge)
 P/N 6544066 (M-box) is replaced by P/N 6555650 (E-box retrofit)

P/N 6548992 (Full frame membrane) is replaced by P/N 6555744 (E-box 2)

MAIN COMPONENTS

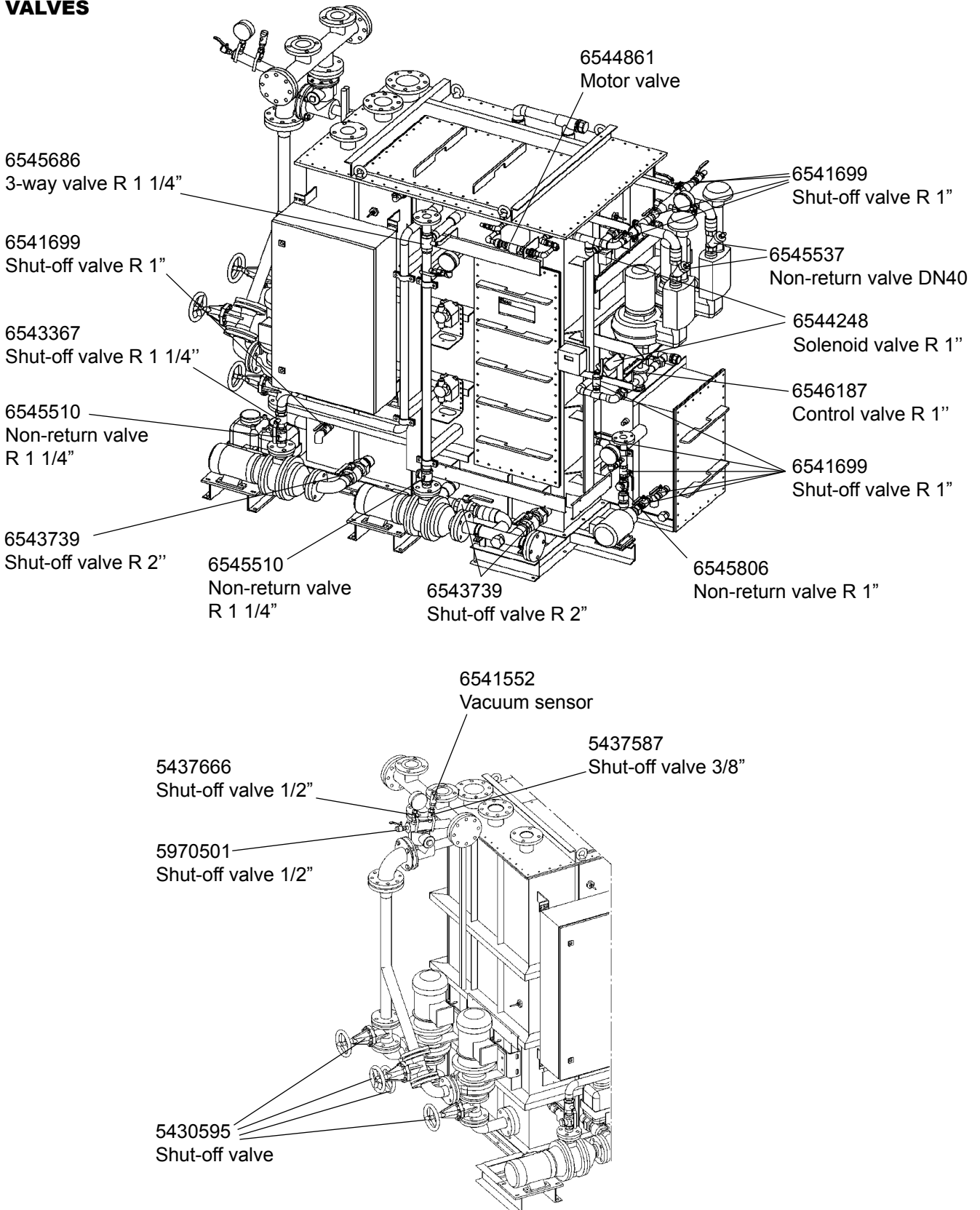


STANDARD MBR UNITS

6545261 EVAC MBR 8C
6545265 EVAC MBR 16C

6545269 EVAC MBR 24C
6545273 EVAC MBR 32C

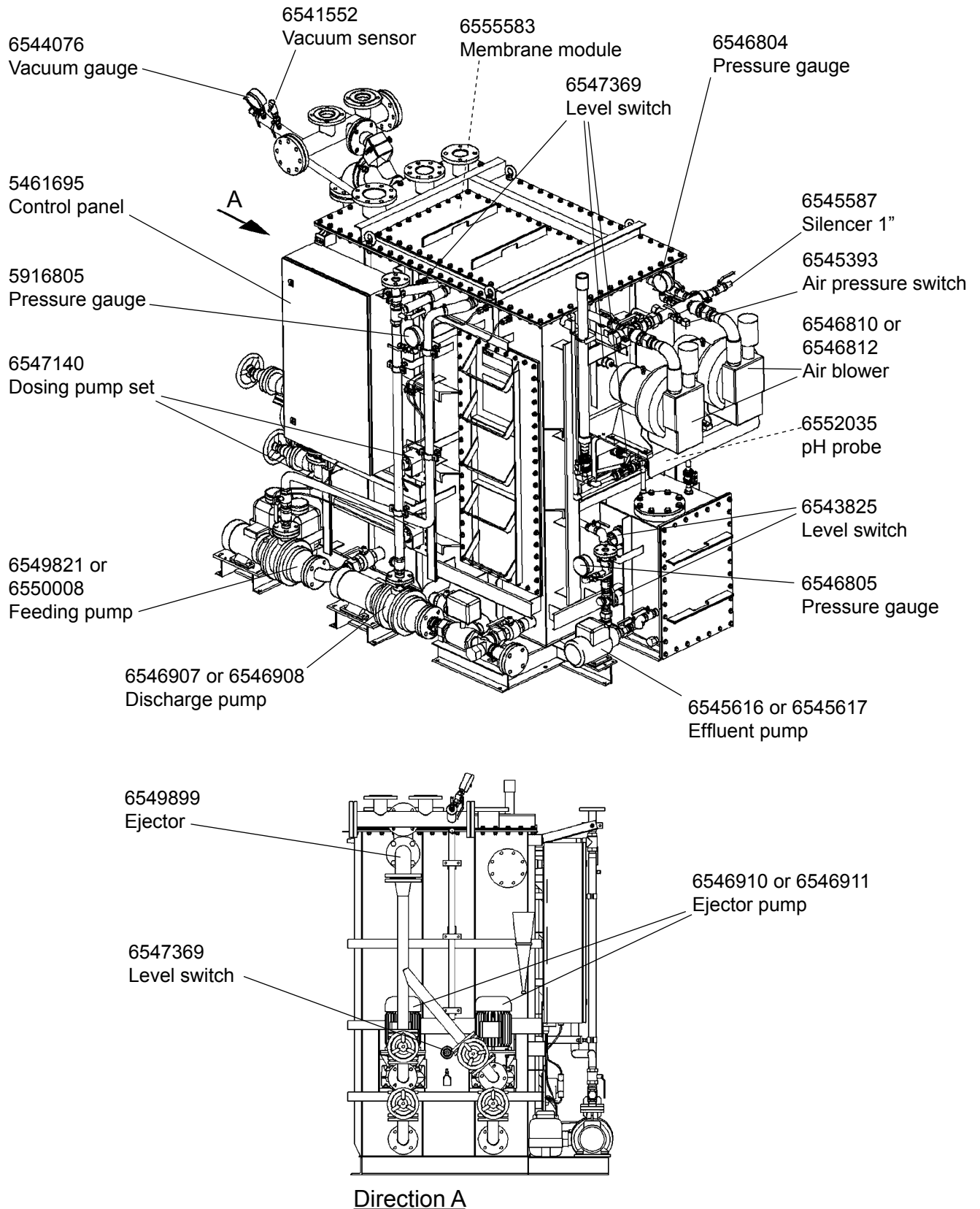
VALVES



STANDARD MBR UNITS

6549371 EVAC MBR 8C 6549375 EVAC MBR 24C
 6549373 EVAC MBR 16C 6549377 EVAC MBR 32C

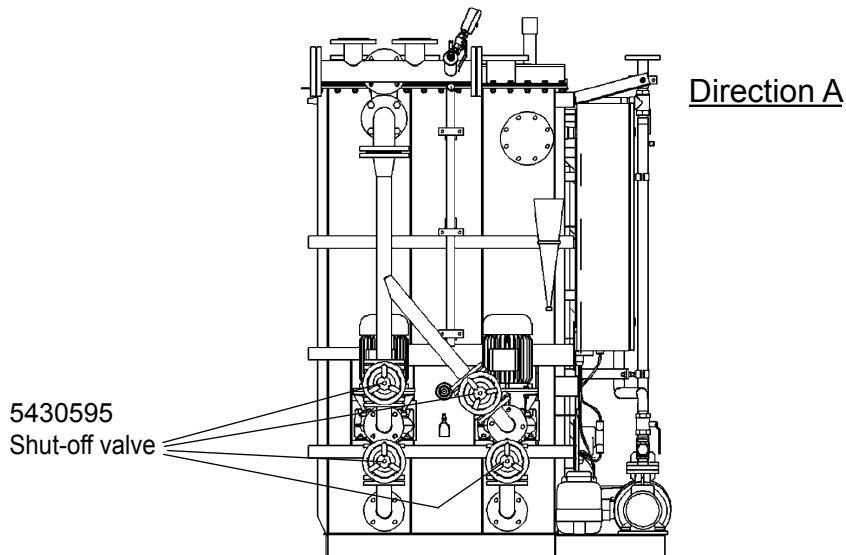
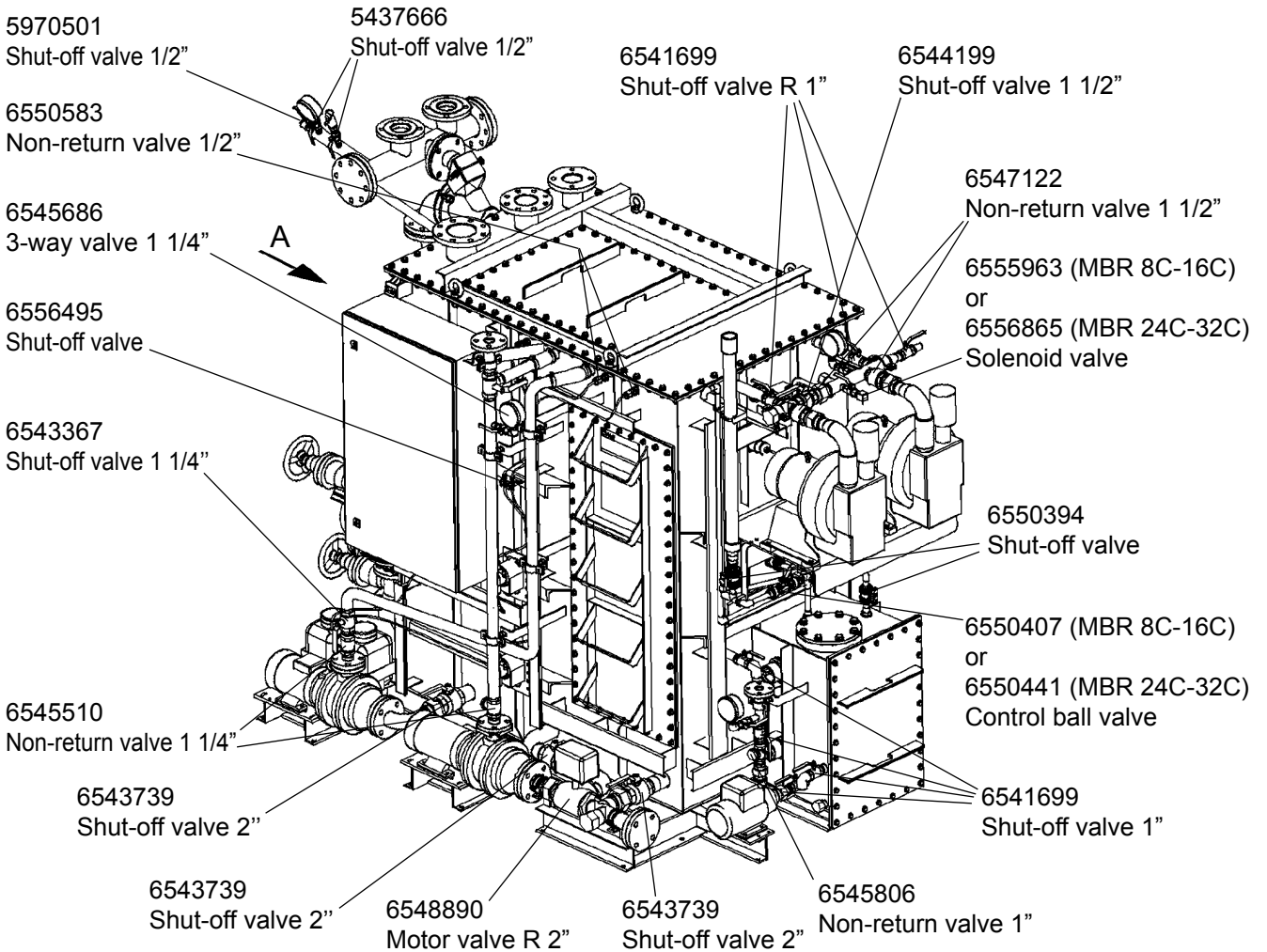
MAIN COMPONENTS



STANDARD MBR UNITS

6549371 EVAC MBR 8C 6549375 EVAC MBR 24C
 6549373 EVAC MBR 16C 6549377 EVAC MBR 32C

VALVES



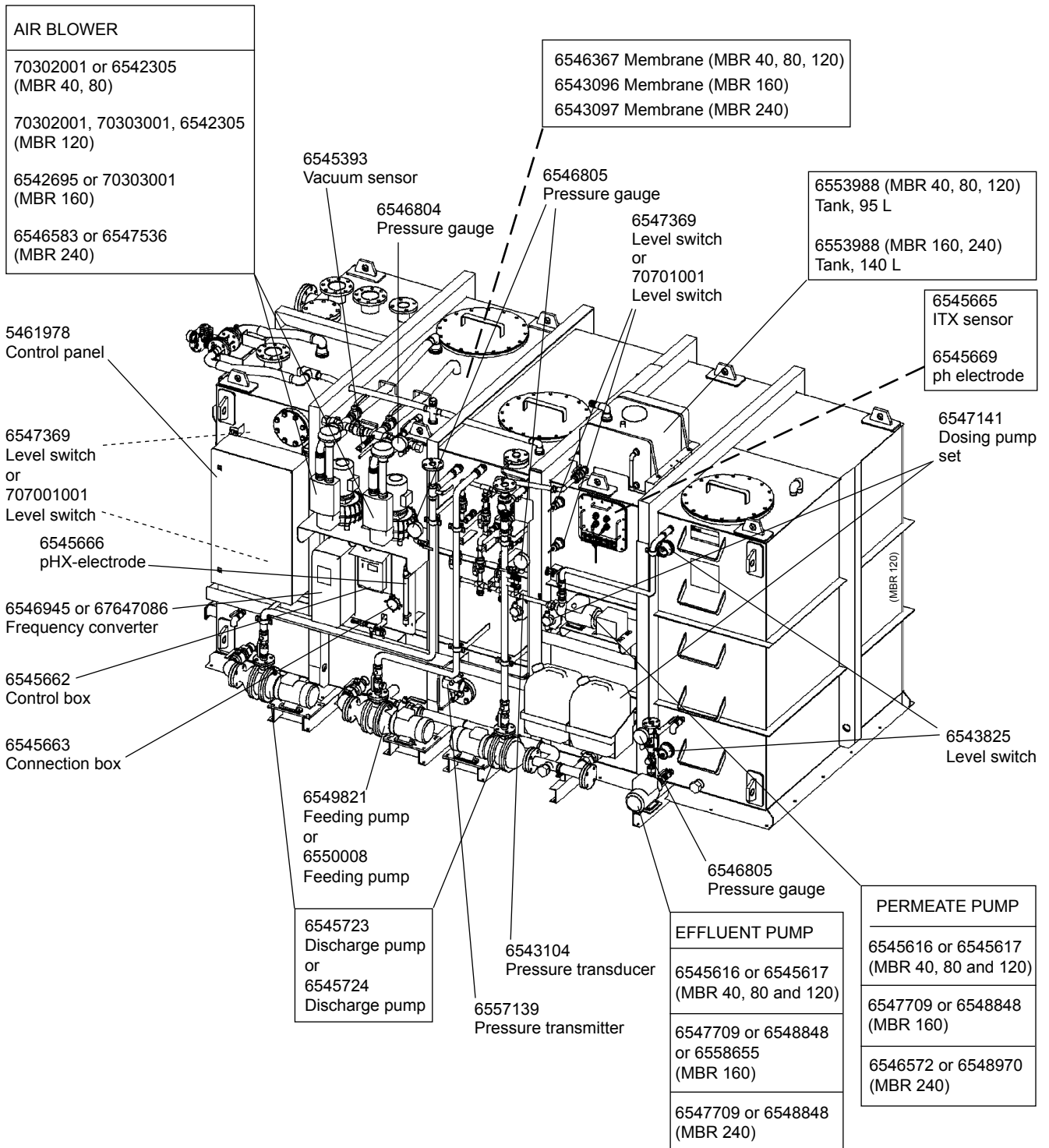
STANDARD MBR UNITS

6546142 EVAC MBR 40
6546143 EVAC MBR 80

6546144 EVAC MBR 120
6546145 EVAC MBR 160

6546146 EVAC MBR 240

MAIN COMPONENTS



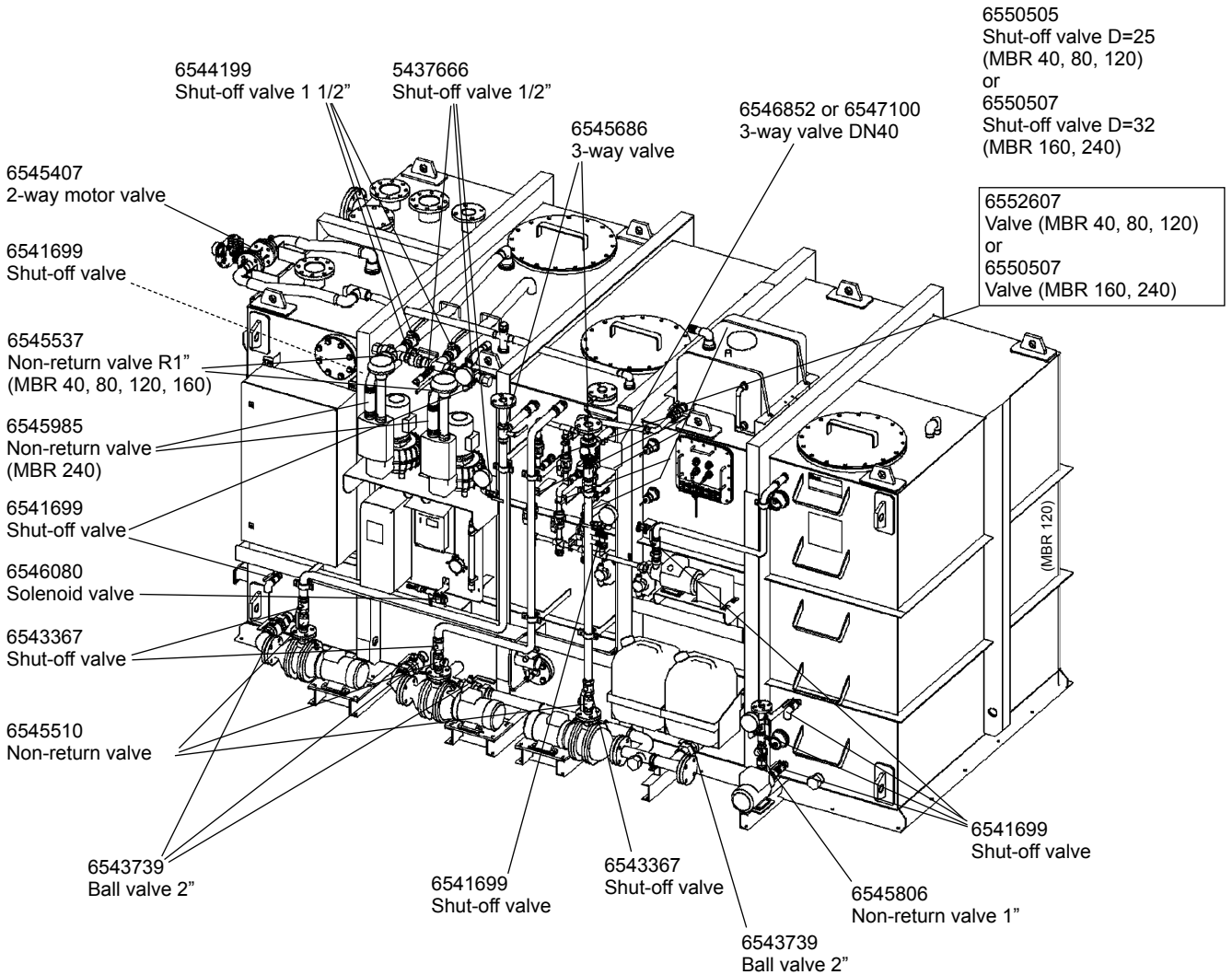
STANDARD MBR UNITS

6546142 EVAC MBR 40
6546143 EVAC MBR 80

6546144 EVAC MBR 120
6546145 EVAC MBR 160

6546146 EVAC MBR 240

VALVES



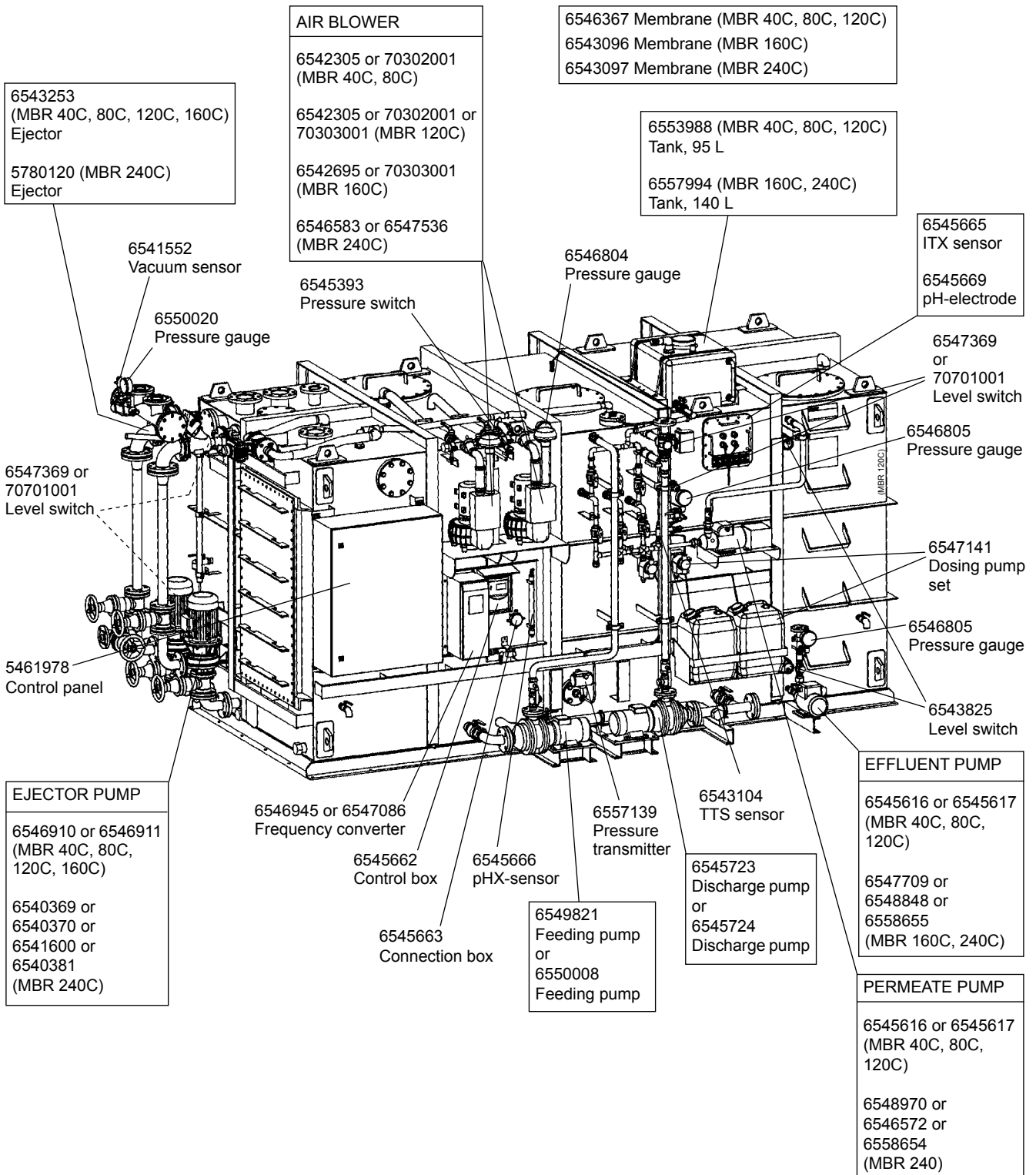
STANDARD MBR UNITS

6546101 EVAC MBR 40C
6546094 EVAC MBR 80C

6546098 EVAC MBR 120C
6546099 EVAC MBR 160C

6546100 EVAC MBR 240C

MAIN COMPONENTS



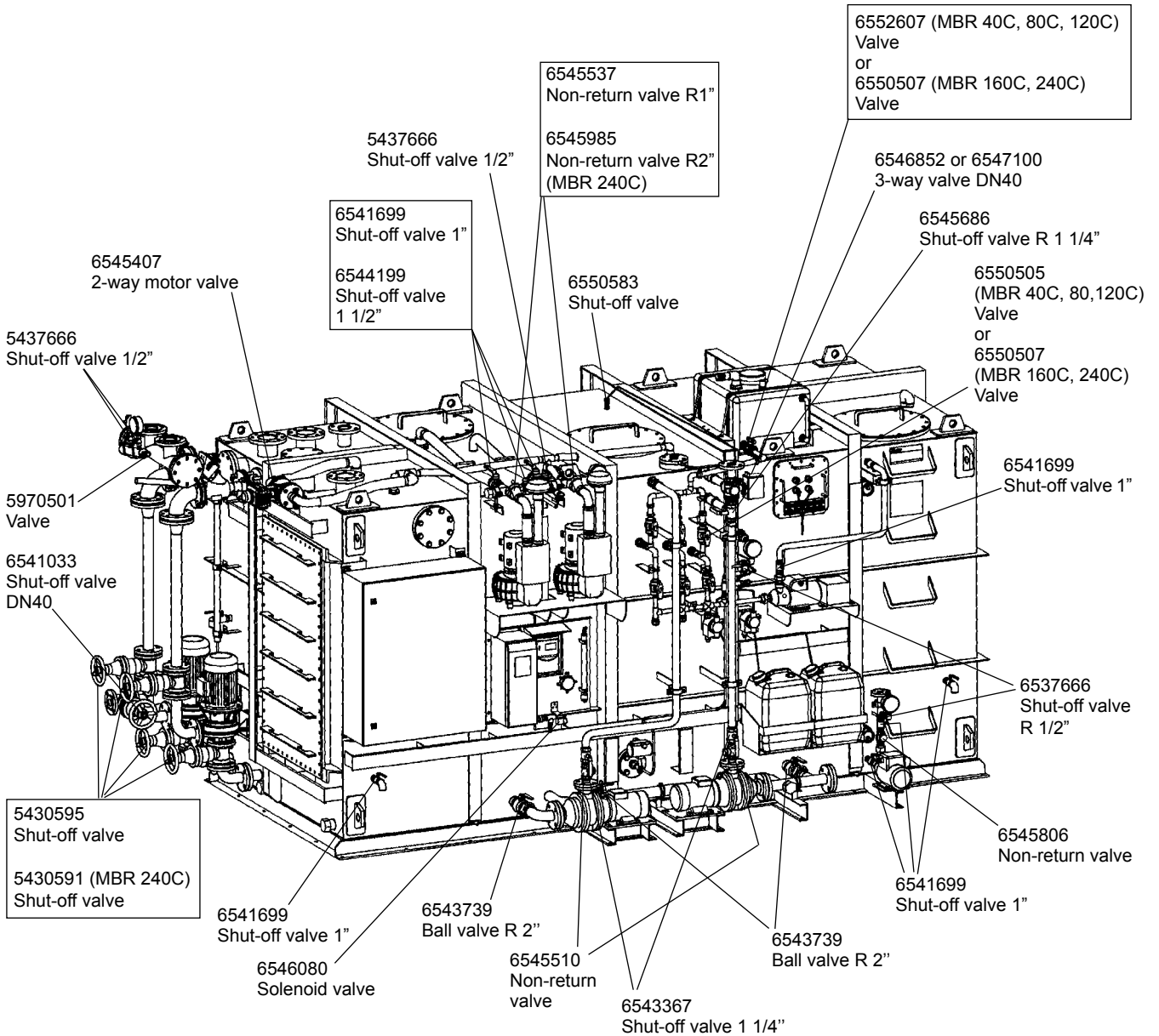
STANDARD MBR UNITS

6546101 EVAC MBR 40C
6546094 EVAC MBR 80C

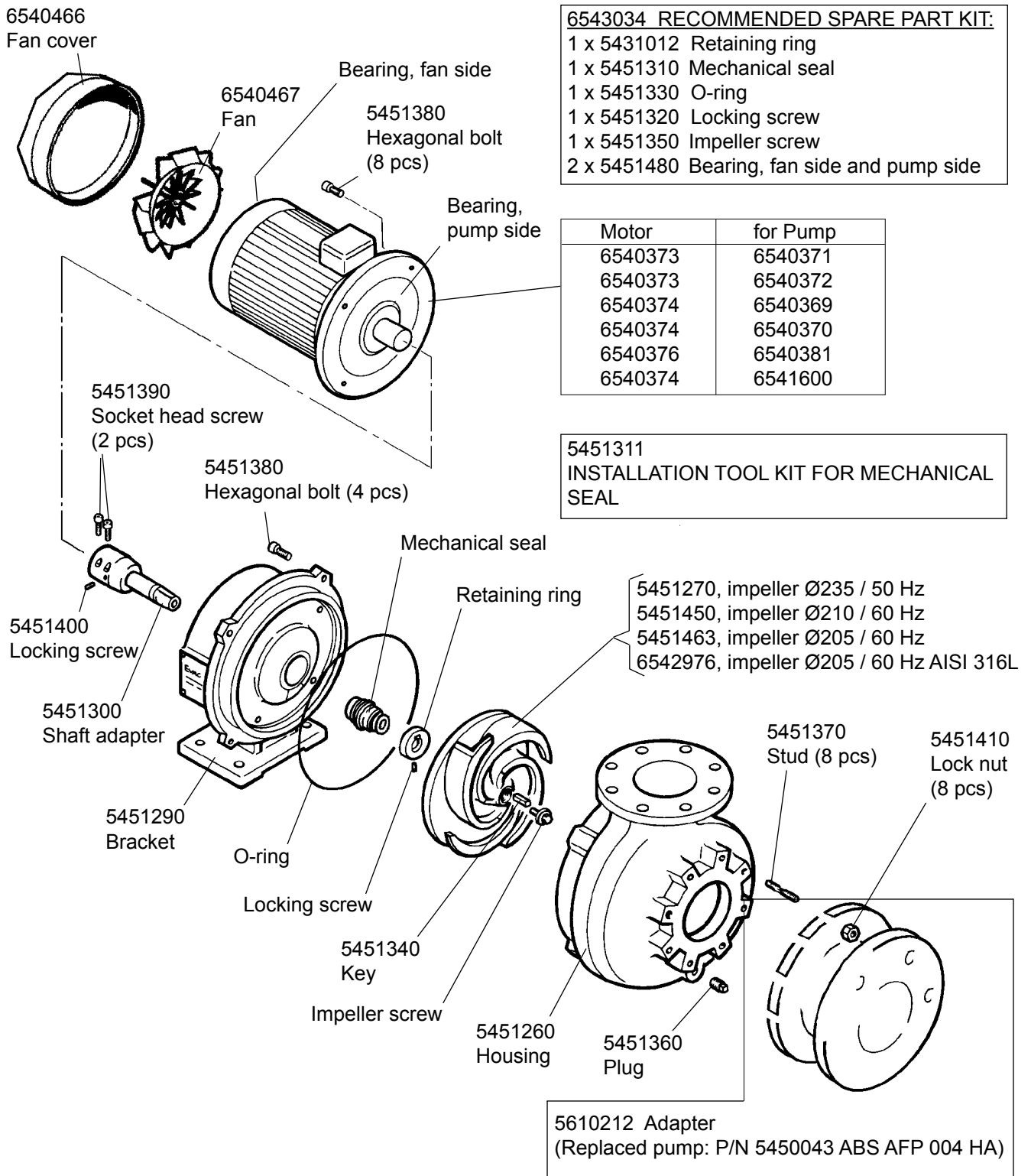
6546098 EVAC MBR 120C
6546099 EVAC MBR 160C

6546100 EVAC MBR 240C

VALVES



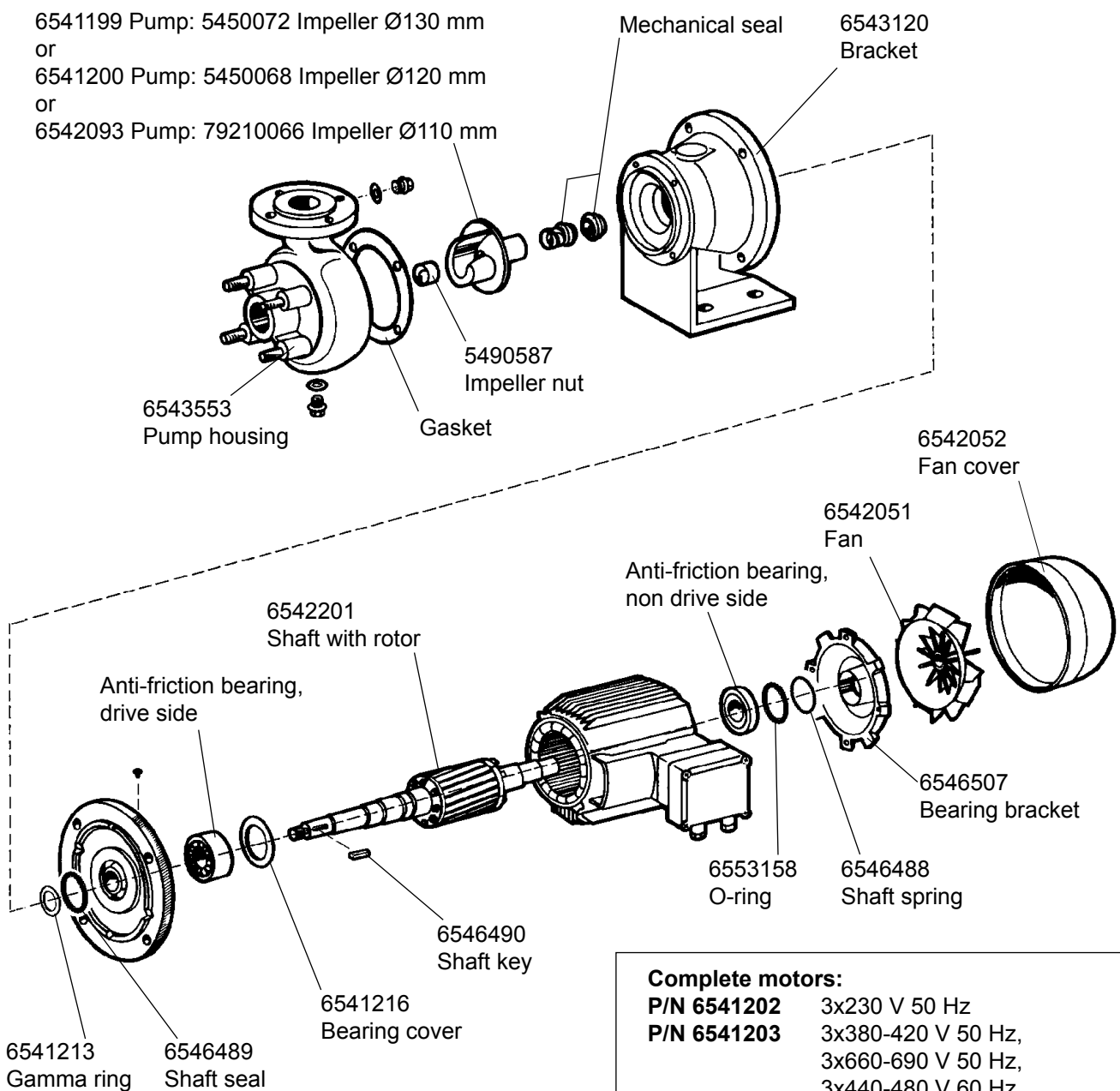
6540371	PUMP EVAC SE 044A, 3x230 V 60 Hz, IMPELLER Ø210
6540372	PUMP EVAC SE 044A, 3x220 V 50 Hz, IMPELLER Ø235
6540369	PUMP EVAC SE 044A, 3x400 V 50 Hz, IMPELLER Ø235
6540370	PUMP EVAC SE 044A, 3x460 V 60 Hz, IMPELLER Ø210
6540381	PUMP EVAC SE 044A, 3x690 V 60 Hz, IMPELLER Ø205
6541600	PUMP EVAC SE 044A, 3x660 V 50 Hz, IMPELLER Ø235



- 6541199 PUMP 4/HK 50-F, 3x230 V 50/60 Hz**
6541200 PUMP 4/HK 50-F, 3x400/460 V 50/60 Hz
6541574 PUMP 4/HK 50-F, 3x690 V 60 Hz
6542093 PUMP 4/HK 50-F, 3x400/460 V 50 Hz, 690 V 60 Hz

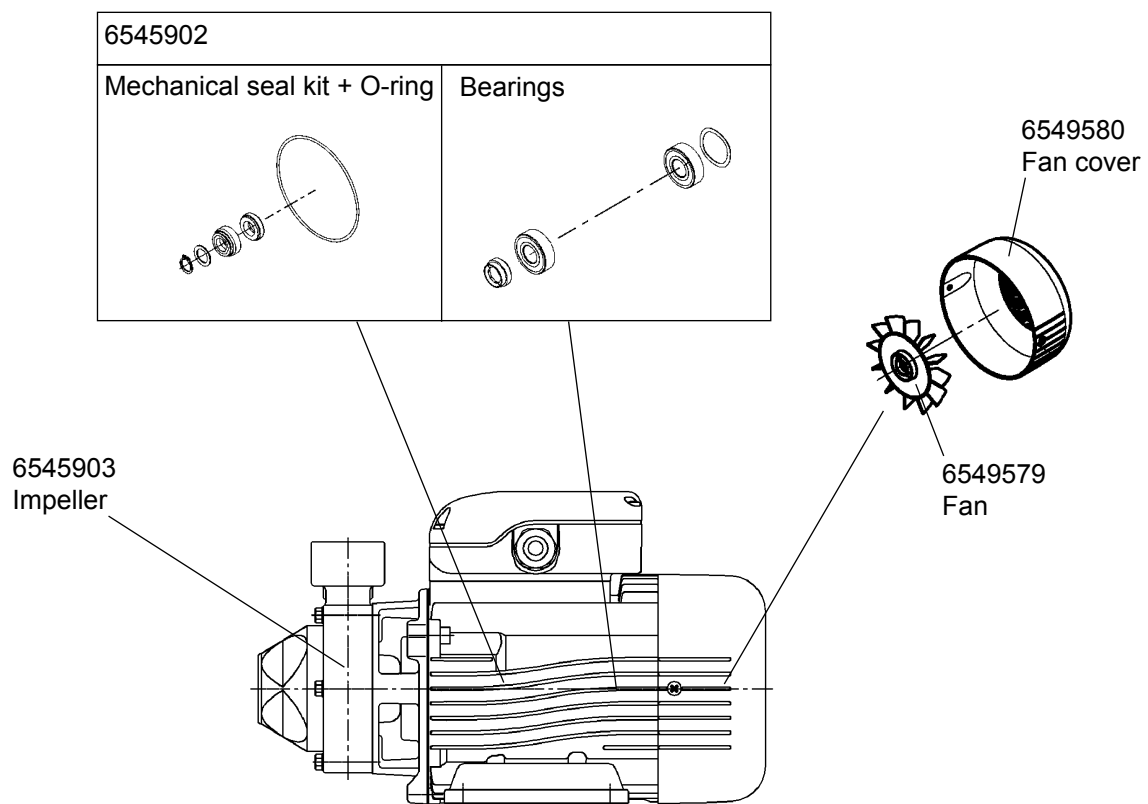
6543035 RECOMMENDED SPARE PART KIT:

- 1 x 5490548 Anti-friction bearing, drive side
 1 x 5490566 Anti-friction bearing, non drive side
 1 x 5490580 Mechanical seal
 1 x 5490590 Gasket



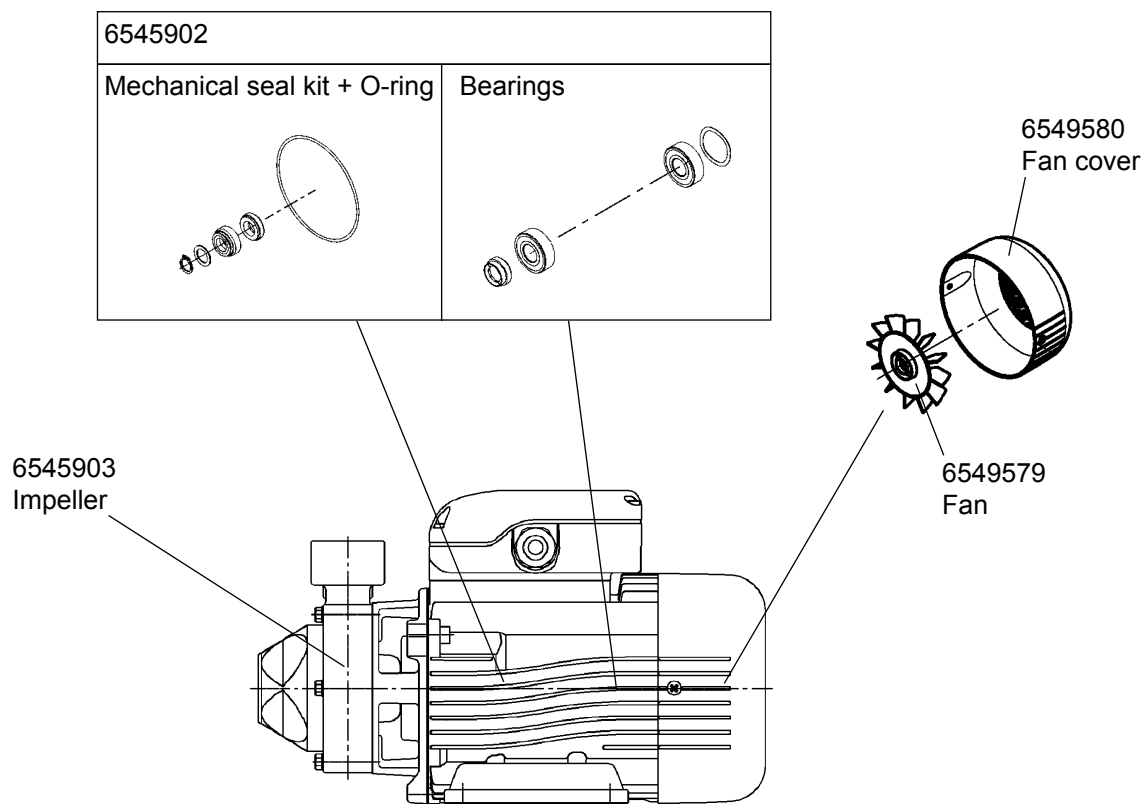
6545616 EFFLUENT PUMP**6545799
SPARE PART SET**

1 x 6545902 Mechanical seal kit + O-ring + bearings
1 x 6545903 Impeller

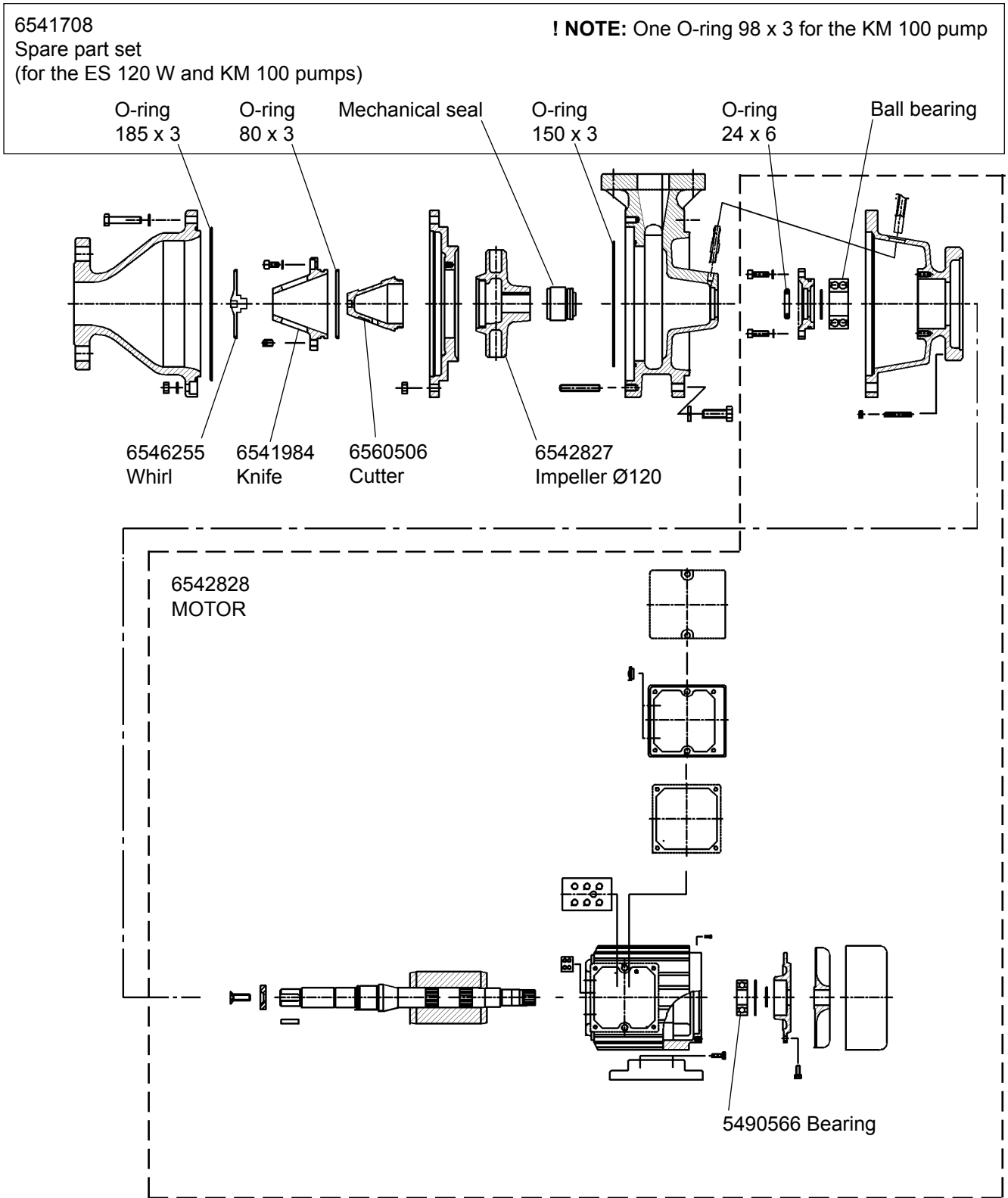


6545617 EFFLUENT PUMP**6545799
SPARE PART SET**

1 x 6545902 Mechanical seal kit + O-ring + bearings
1 x 6545903 Impeller

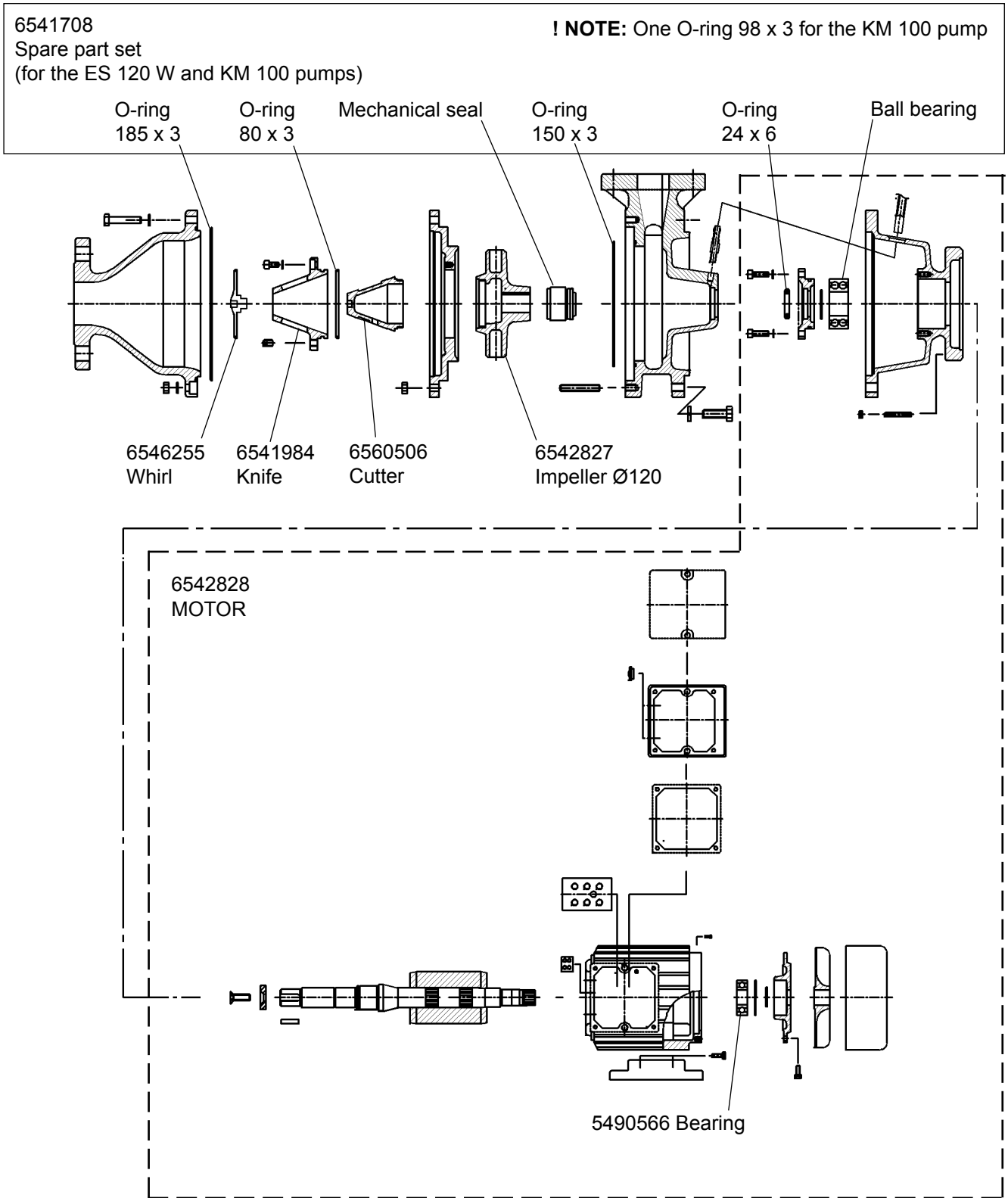


6545723 PUMP ES 120 W



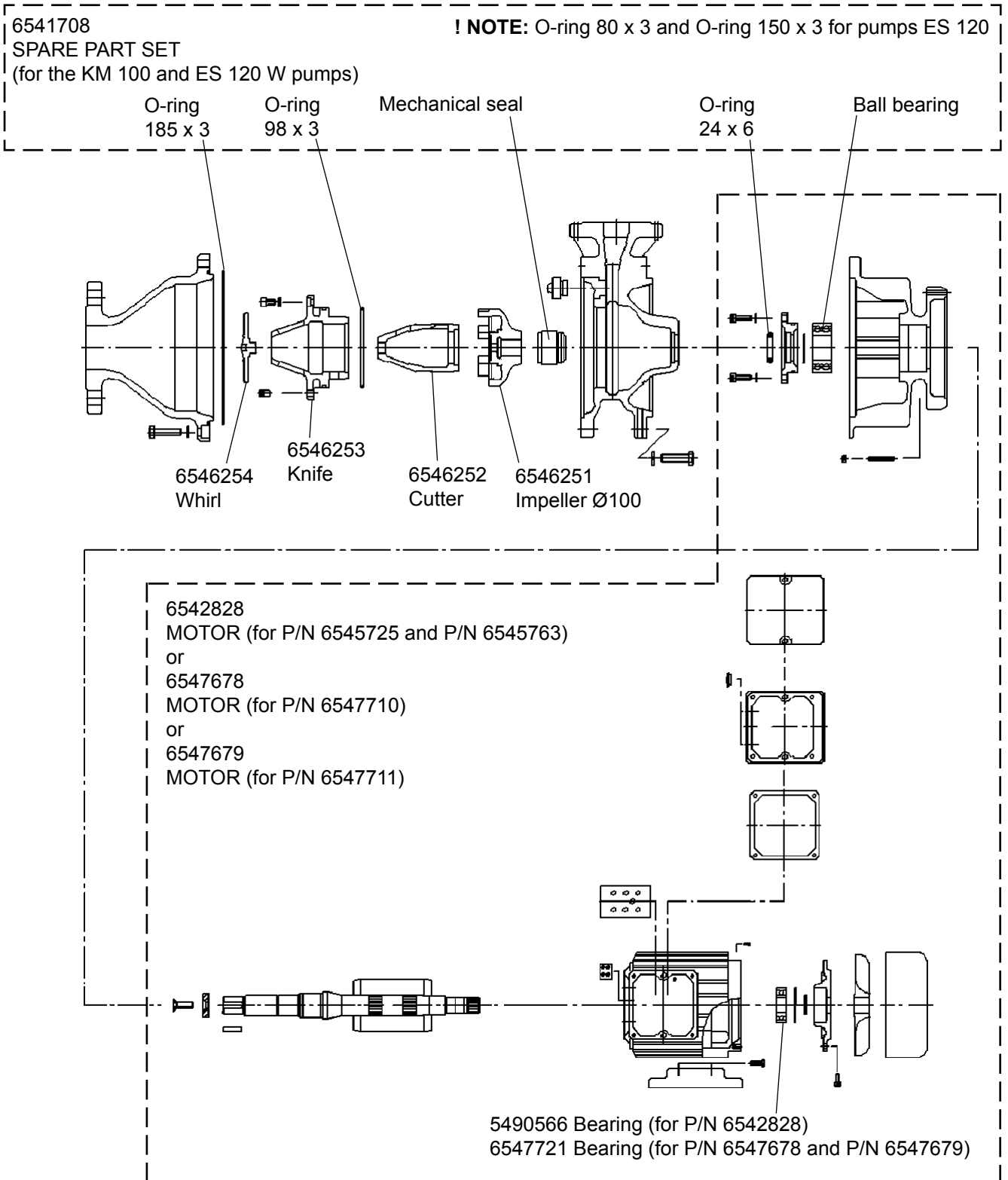
! NOTE: Spare parts which includes in spare part set are not sold separately.

6545724 PUMP ES 120 W



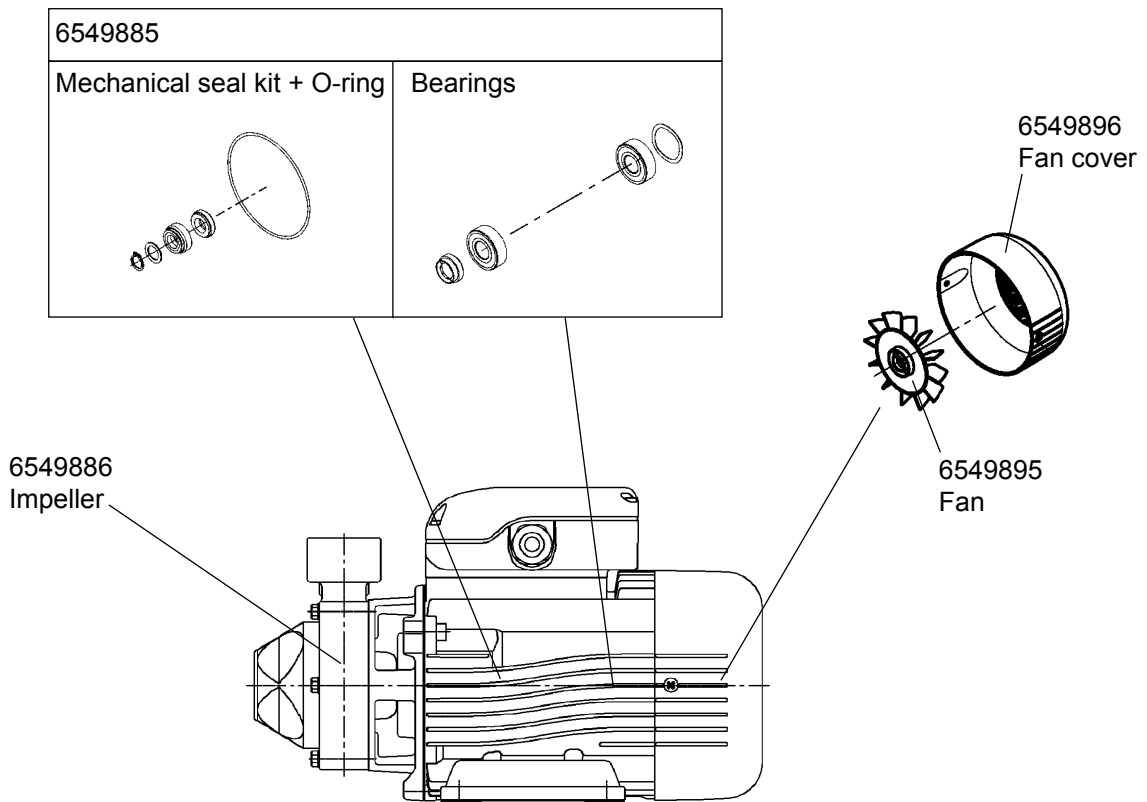
! NOTE: Spare parts which includes in spare part set are not sold separately.

- 6545725 PUMP KM 100
- 6545763 PUMP KM 100
- 6547710 PUMP KM 100
- 6547711 PUMP KM 100

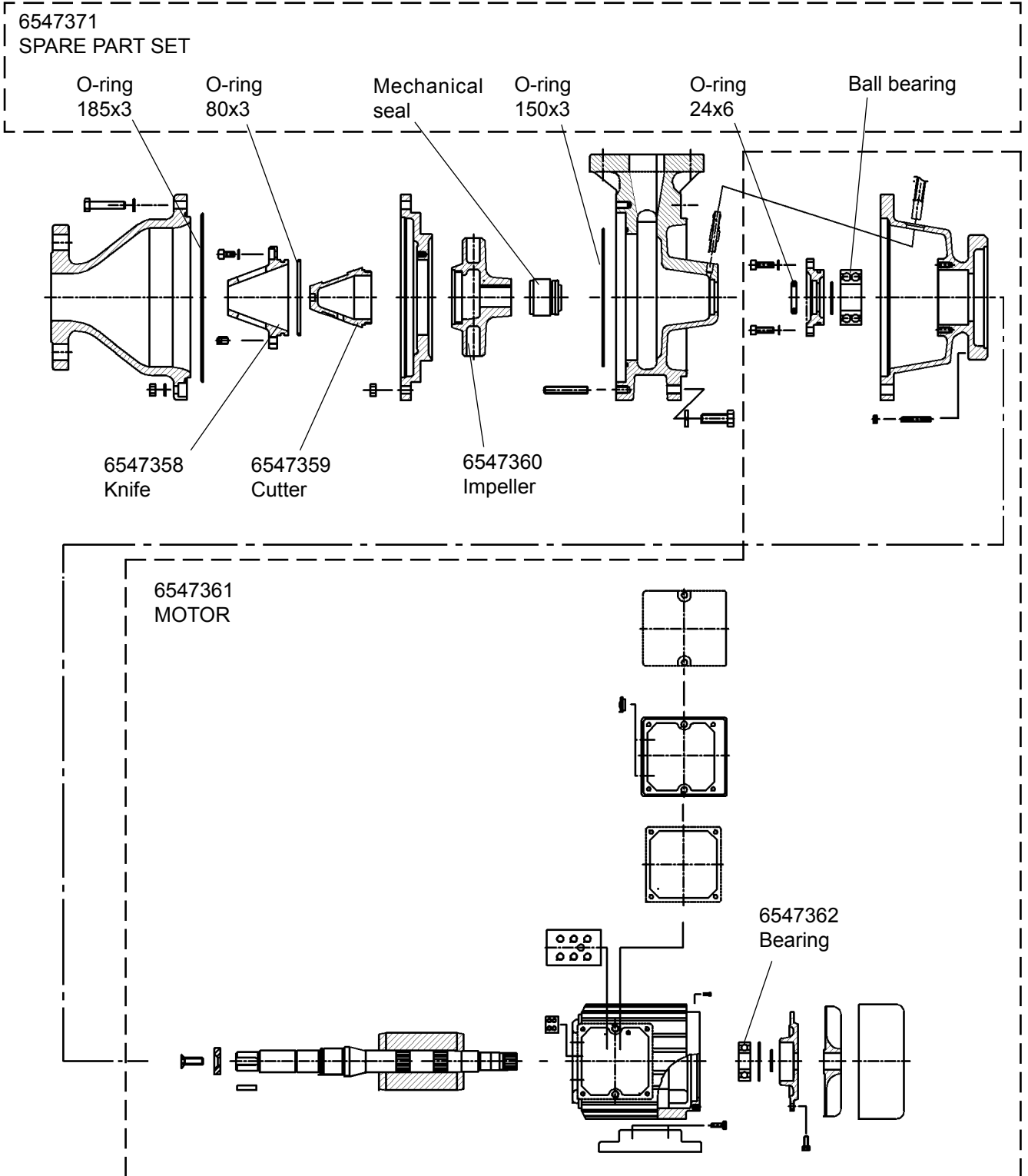


! NOTE: Spare parts which includes in spare part set are not sold separately.

6546572 EFFLUENT PUMP



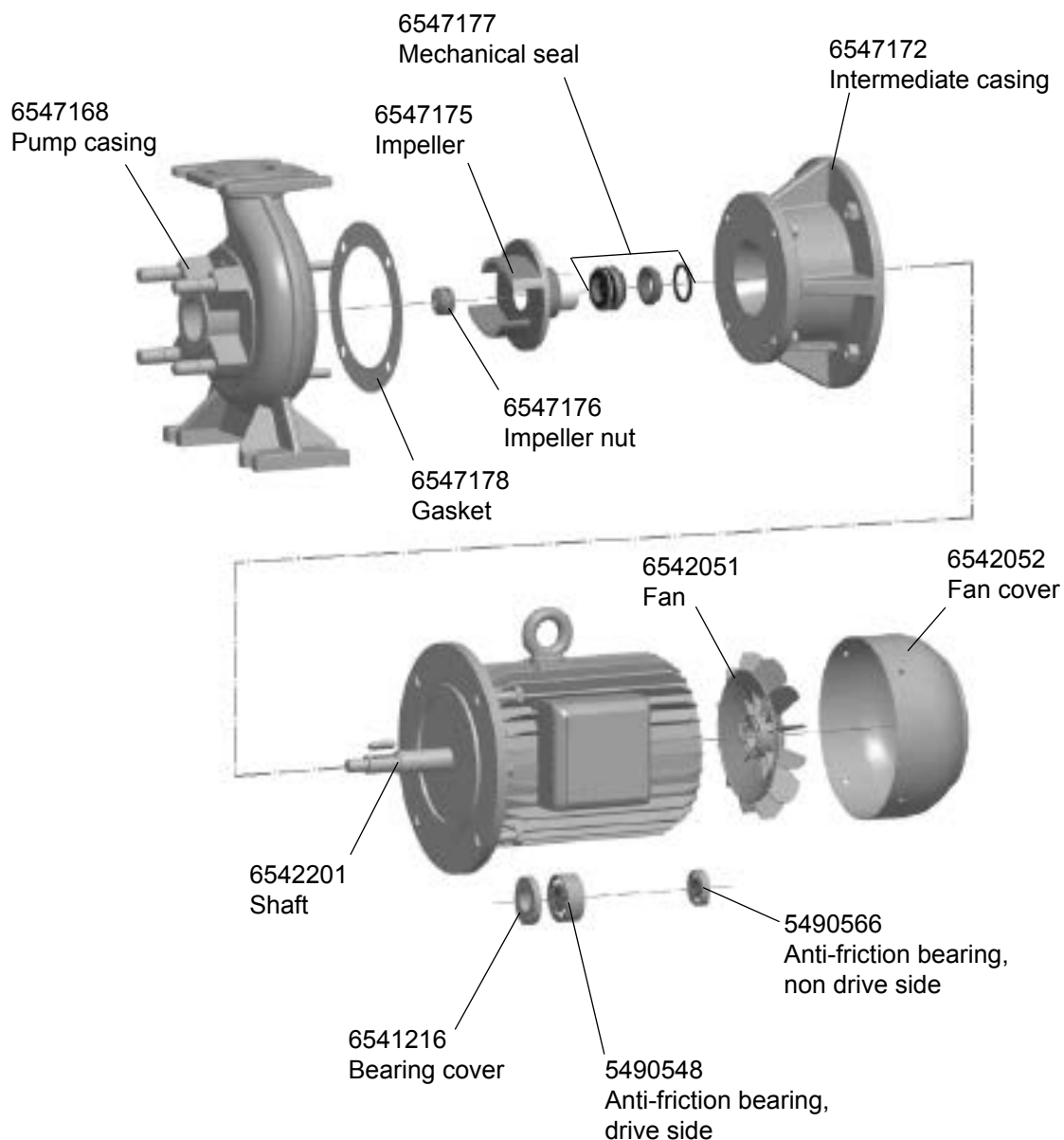
- 6546907 PUMP GEV 40, 3 x 380-415 V 50 Hz, 3 x 440 V 60 Hz
- 6546908 PUMP GEV 40, 3 x 660-690 V 60 Hz
- 6546909 PUMP GEV 40, 3 x 660-690 V 50 Hz



! NOTE: Spare parts which includes in spare part set are not sold separately.

6546910 PUMP S30, 3x380/480 V 50/60 Hz, 3x400/460 V 50, 3x690 V 50 Hz
6547222 RECOMMENDED SPARE PART KIT:

- 1 x 5490548 Anti-friction bearing, drive side
- 1 x 5490566 Anti-friction bearing, non drive side
- 1 x 6547177 Mechanical seal
- 1 x 6547178 Gasket

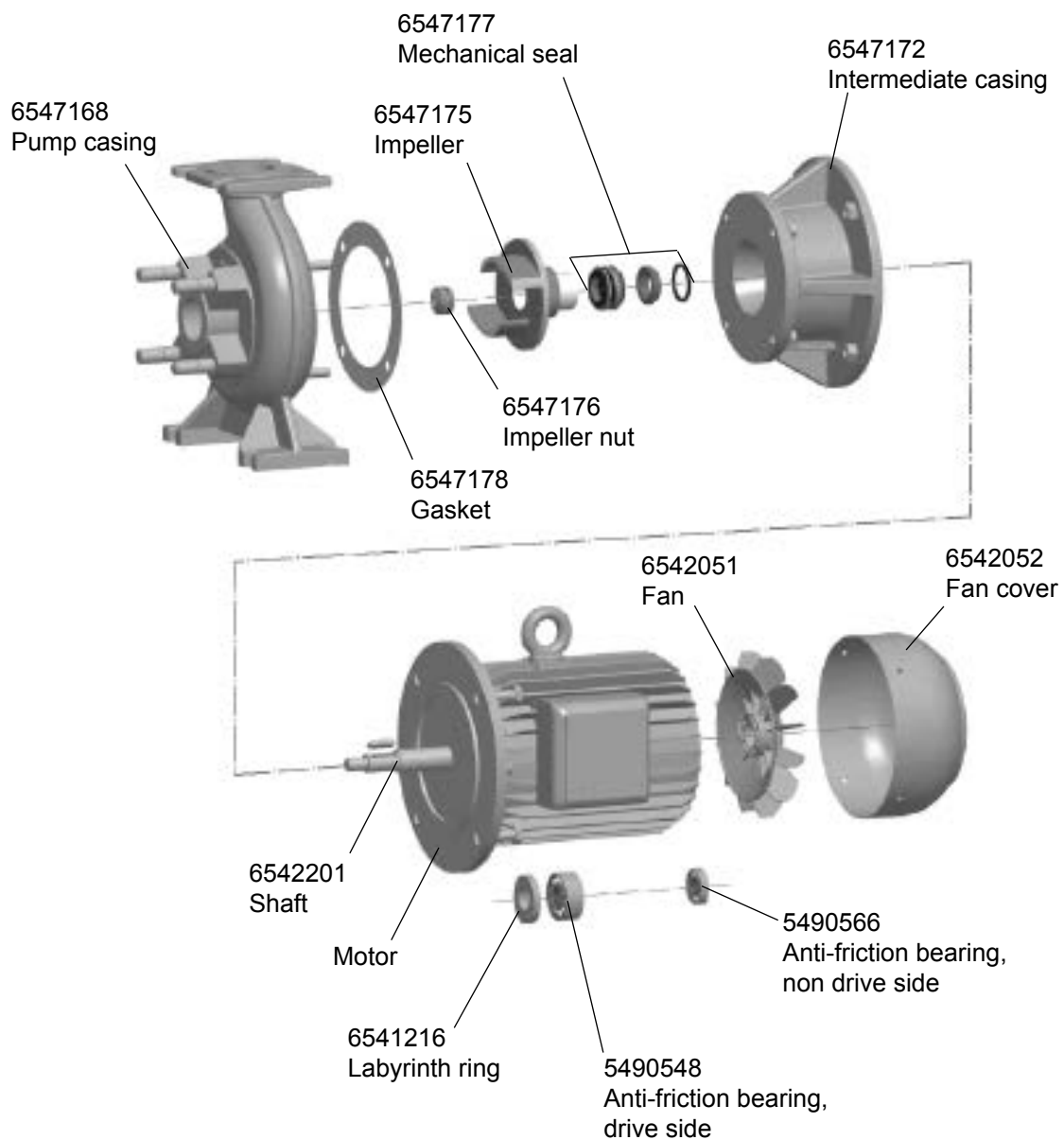

COMPLETE MOTOR:

- P/N 6541203** 3x380-420 V 50 Hz,
3x660-690 V 50 Hz,
3x440-480 V 60 Hz

6546911 PUMP S30, 3x690 V 60 Hz

6547222 RECOMMENDED SPARE PART KIT:

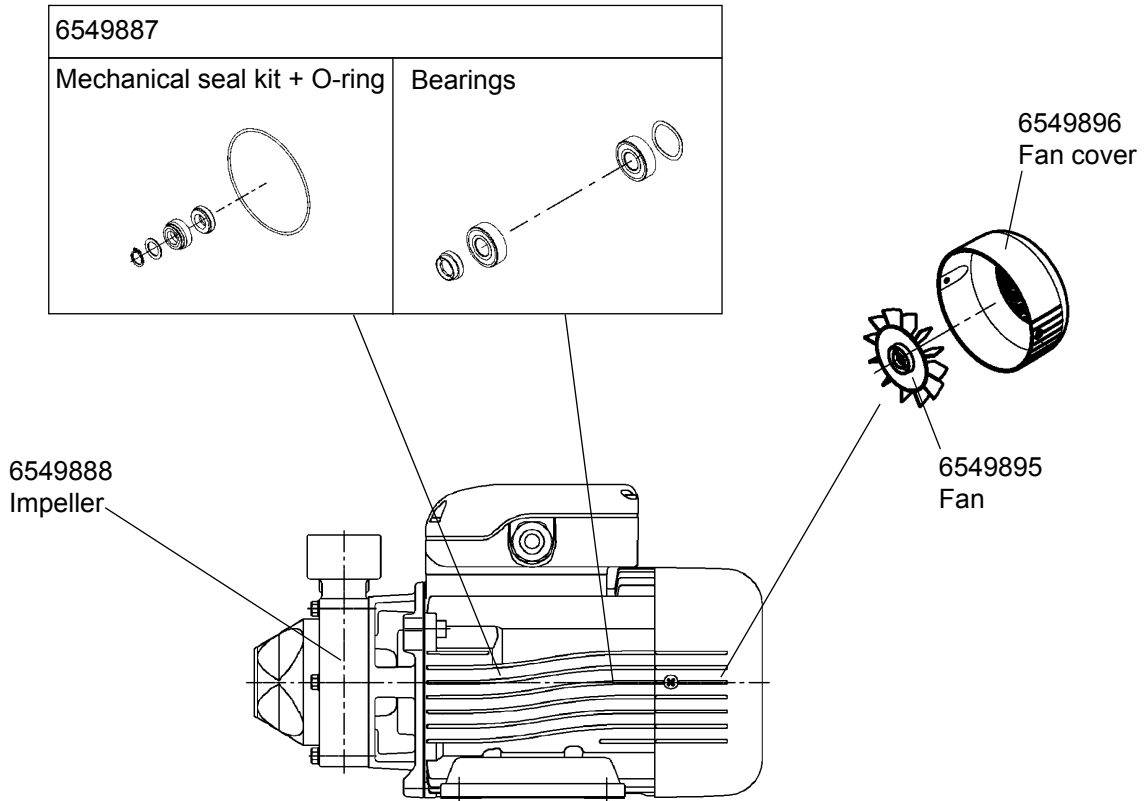
- 1 x 5490548 Anti-friction bearing, drive side
- 1 x 5490566 Anti-friction bearing, non drive side
- 1 x 6547177 Mechanical seal
- 1 x 6547178 Gasket



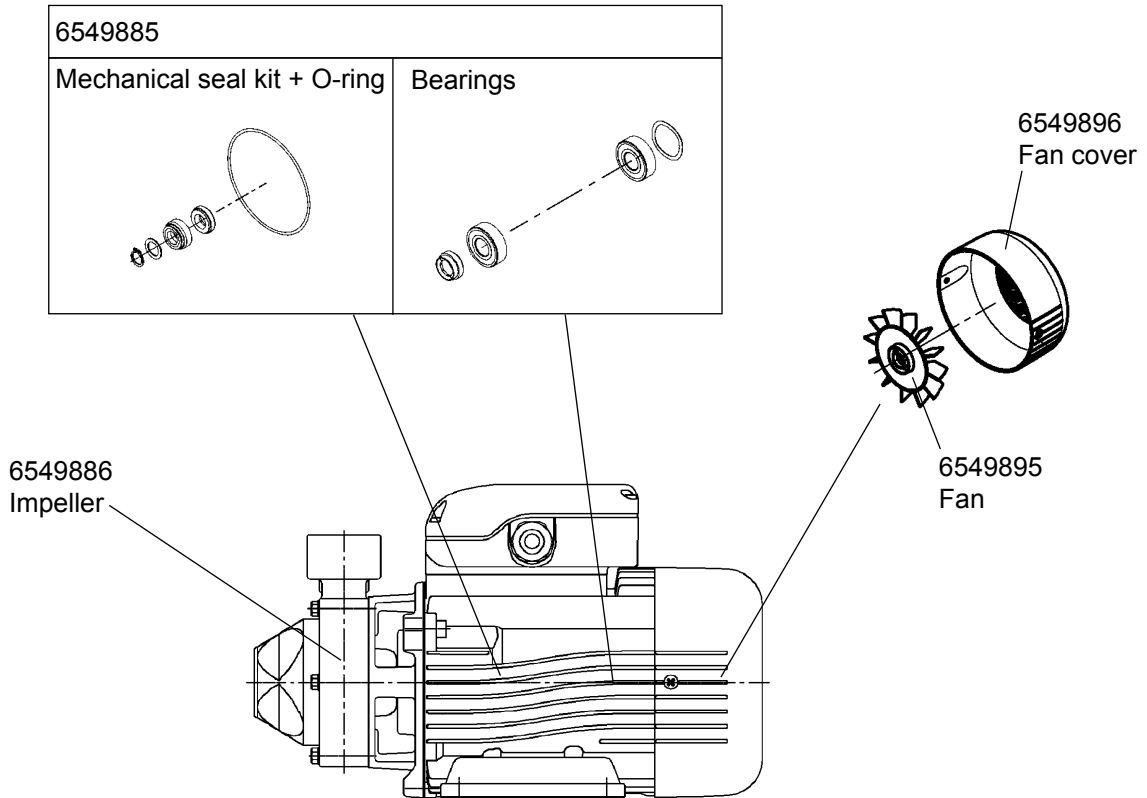
COMPLETE MOTOR:

P/N 6559188

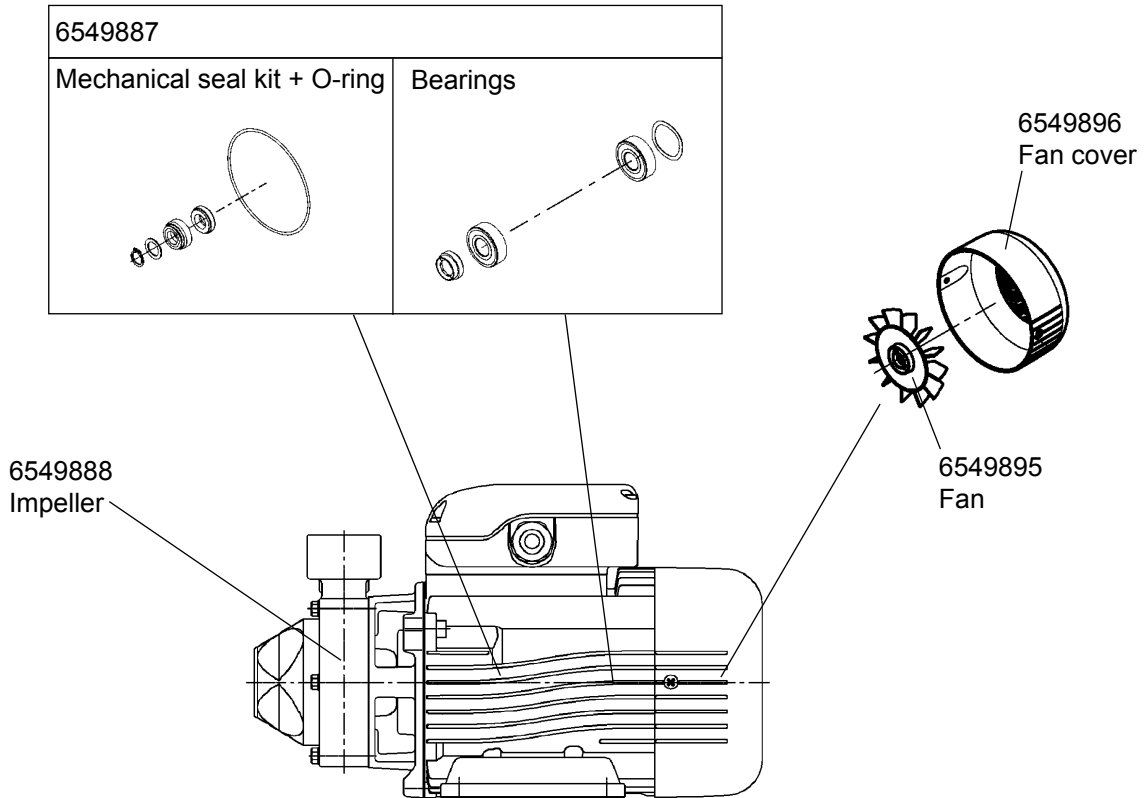
6547709 EFFLUENT PUMP



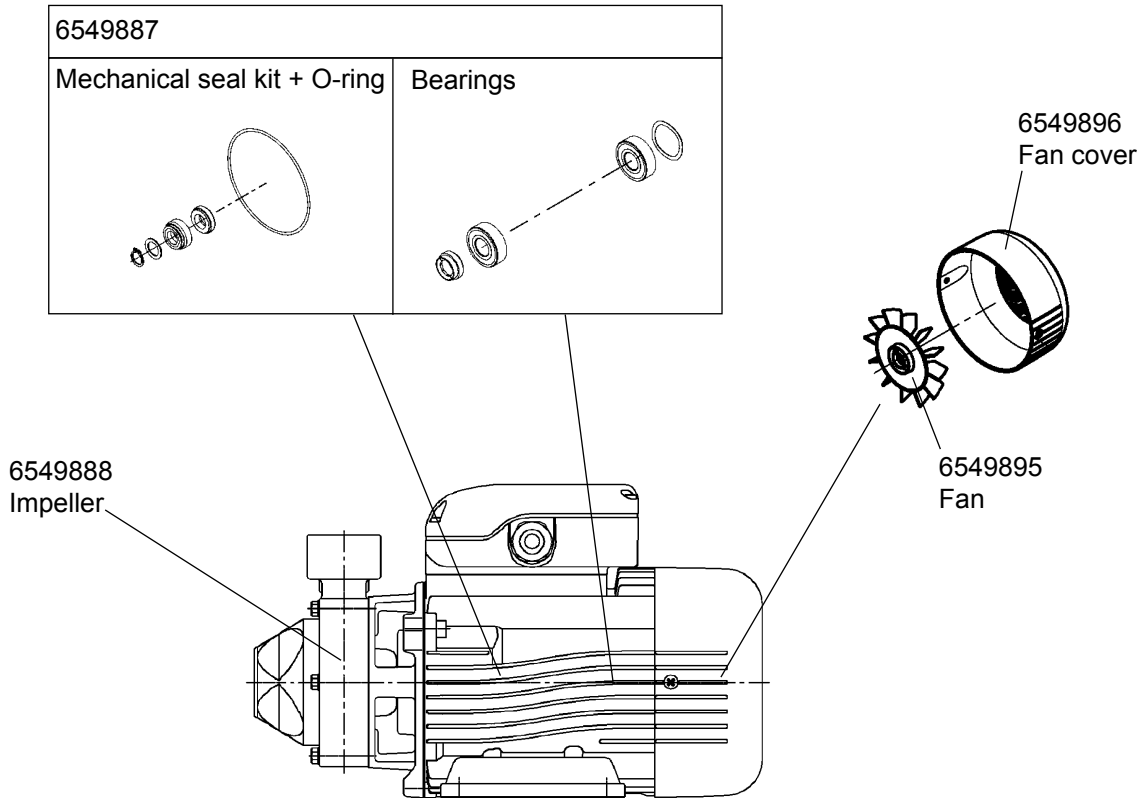
6558654 EFFLUENT PUMP



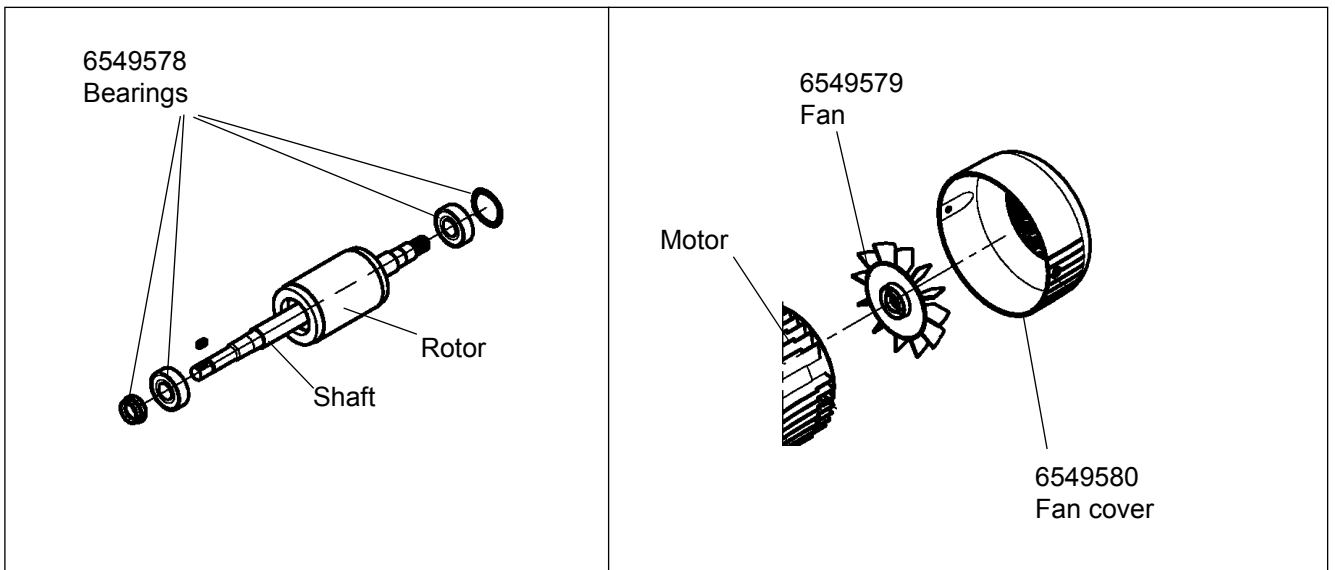
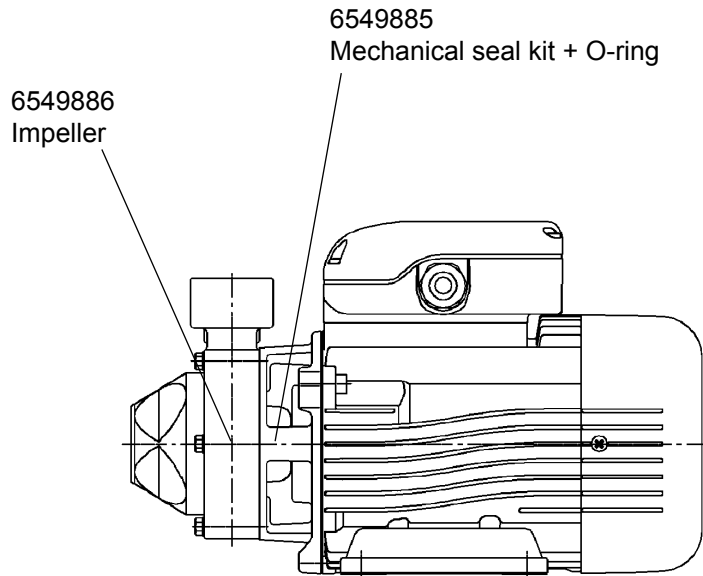
6558655 EFFLUENT PUMP



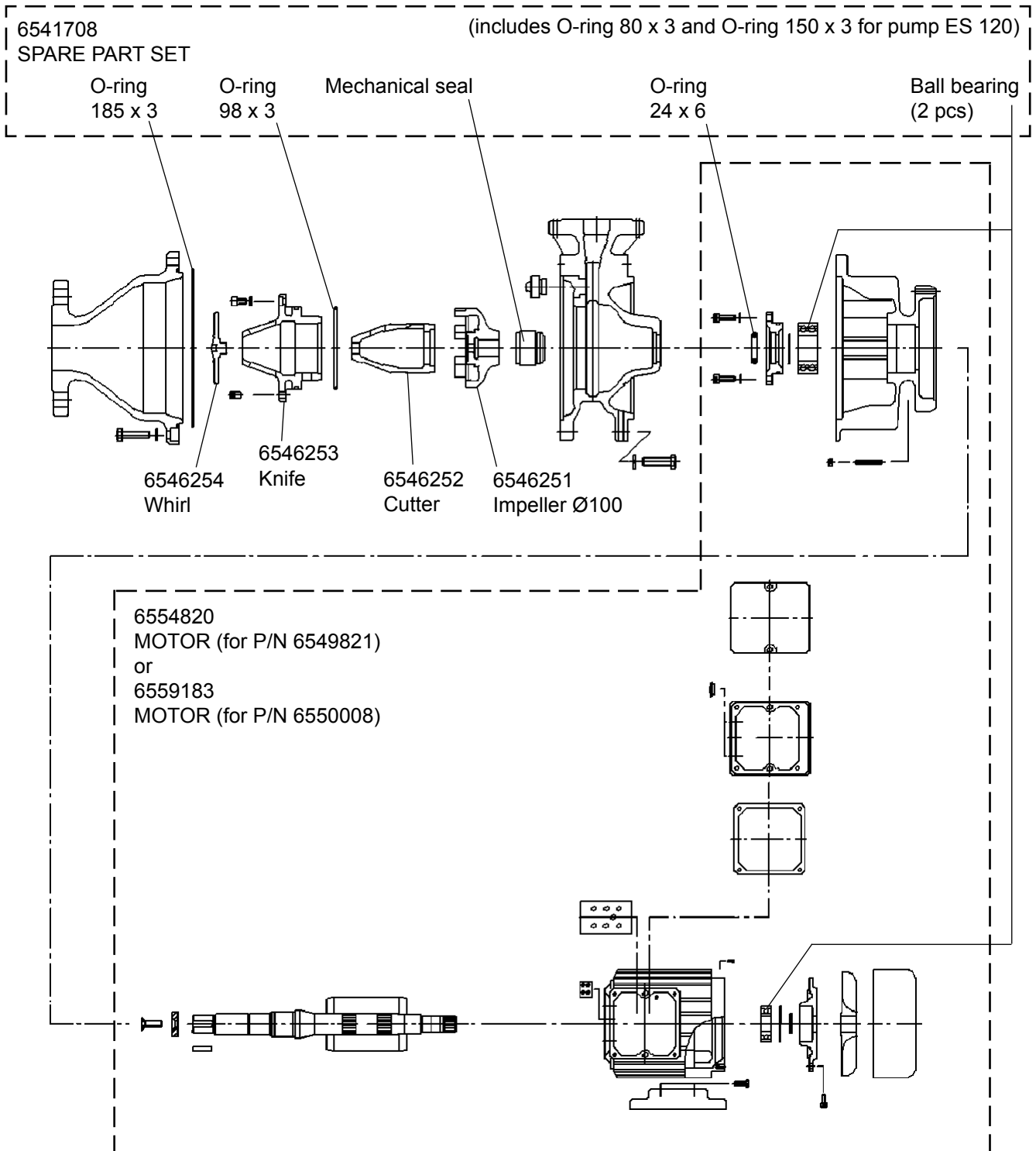
6548848 EFFLUENT PUMP



6548970 EFFLUENT PUMP

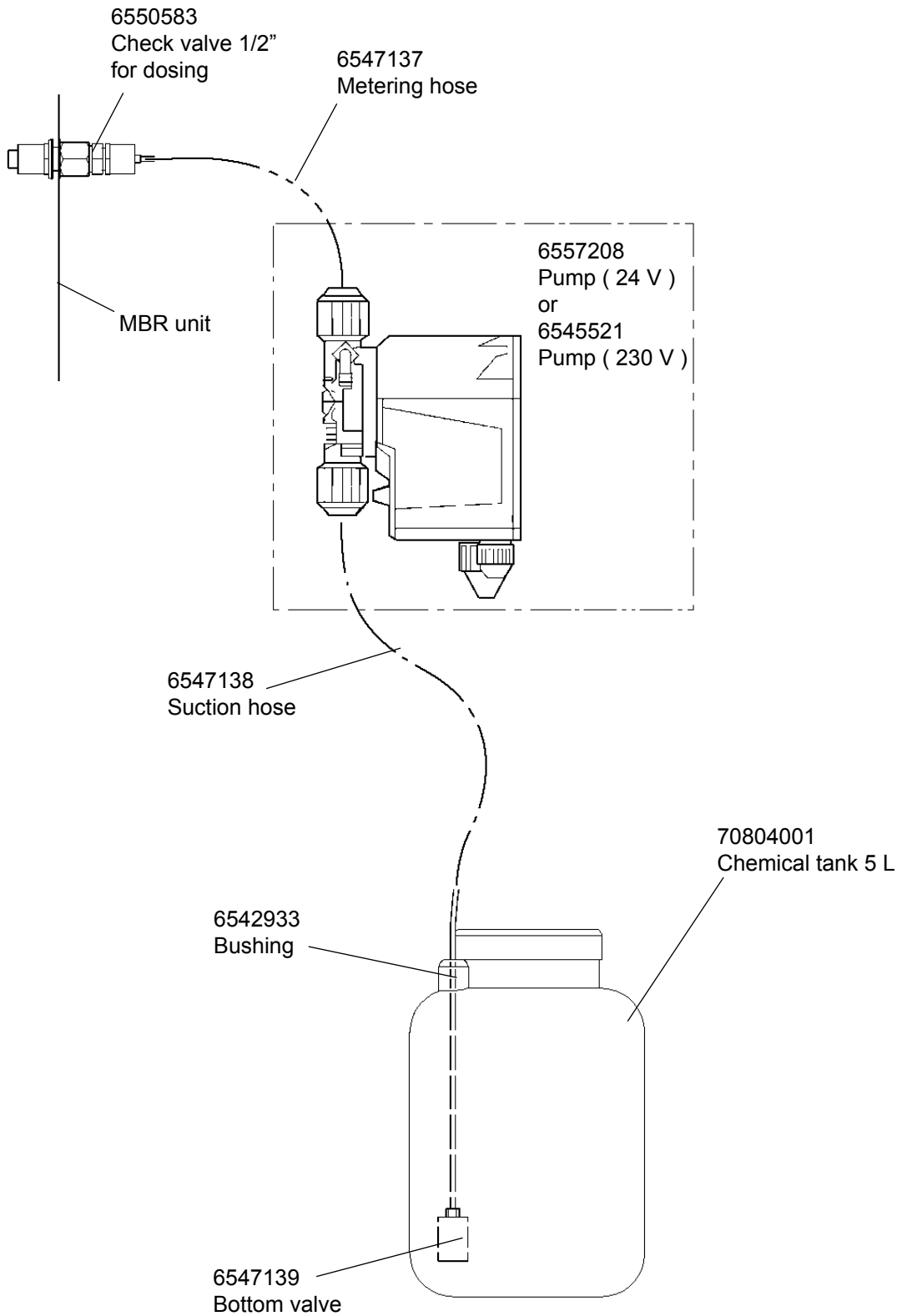


6549821 PUMP
6550008 PUMP

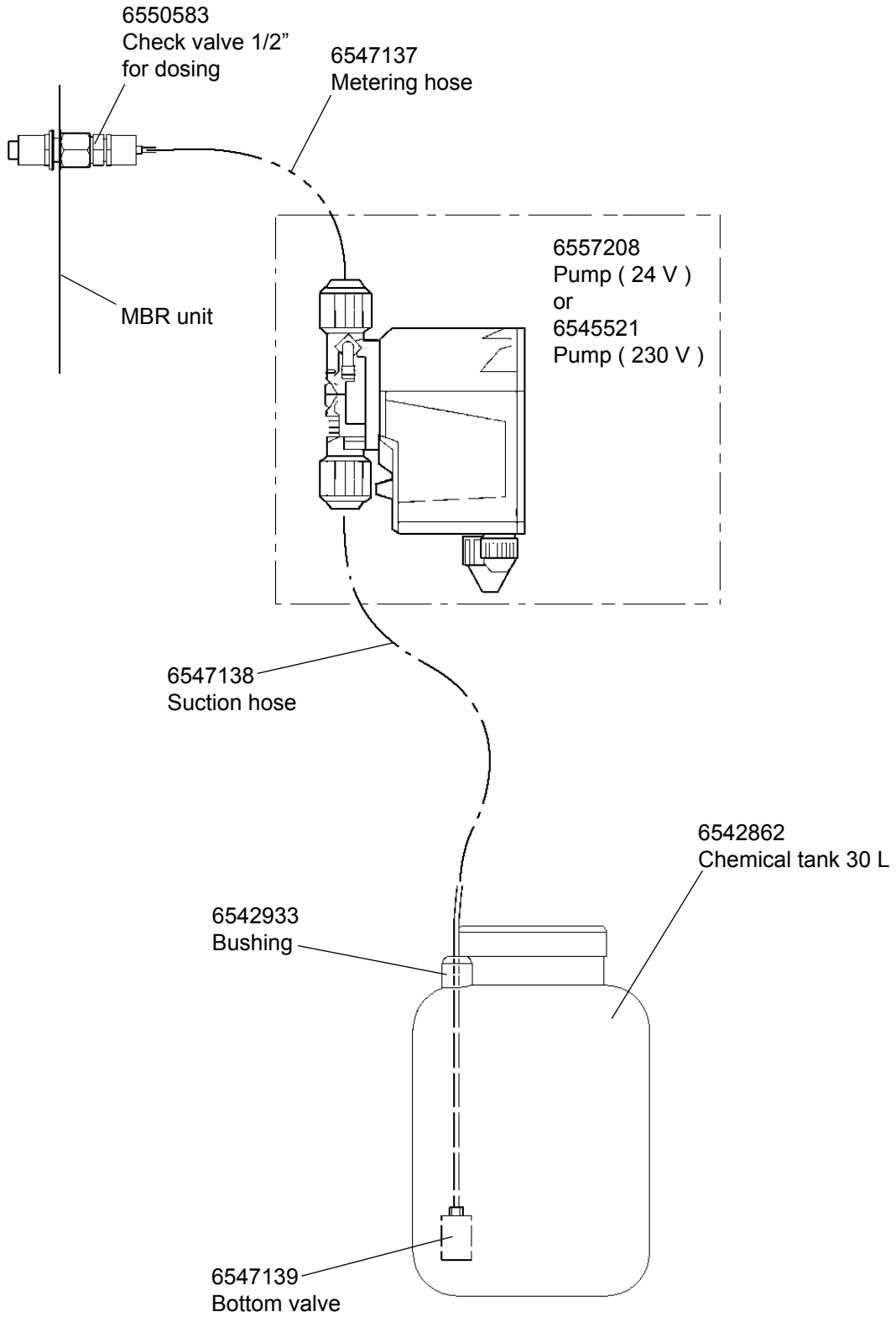


! NOTE: Spare parts which includes in spare part set are not sold separately.

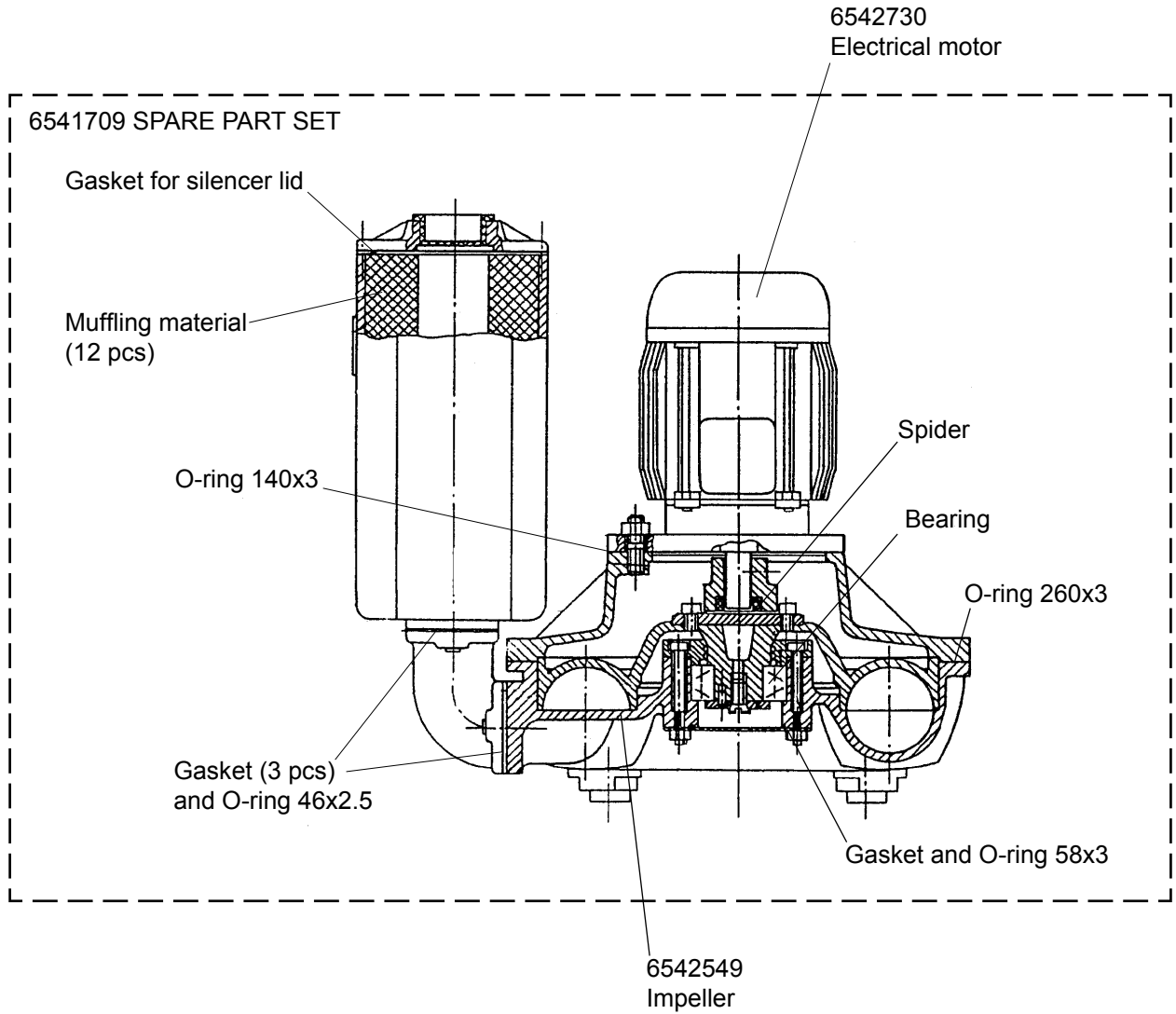
6547140 DOSING PUMP SET, CHEMICAL TANK 5 L



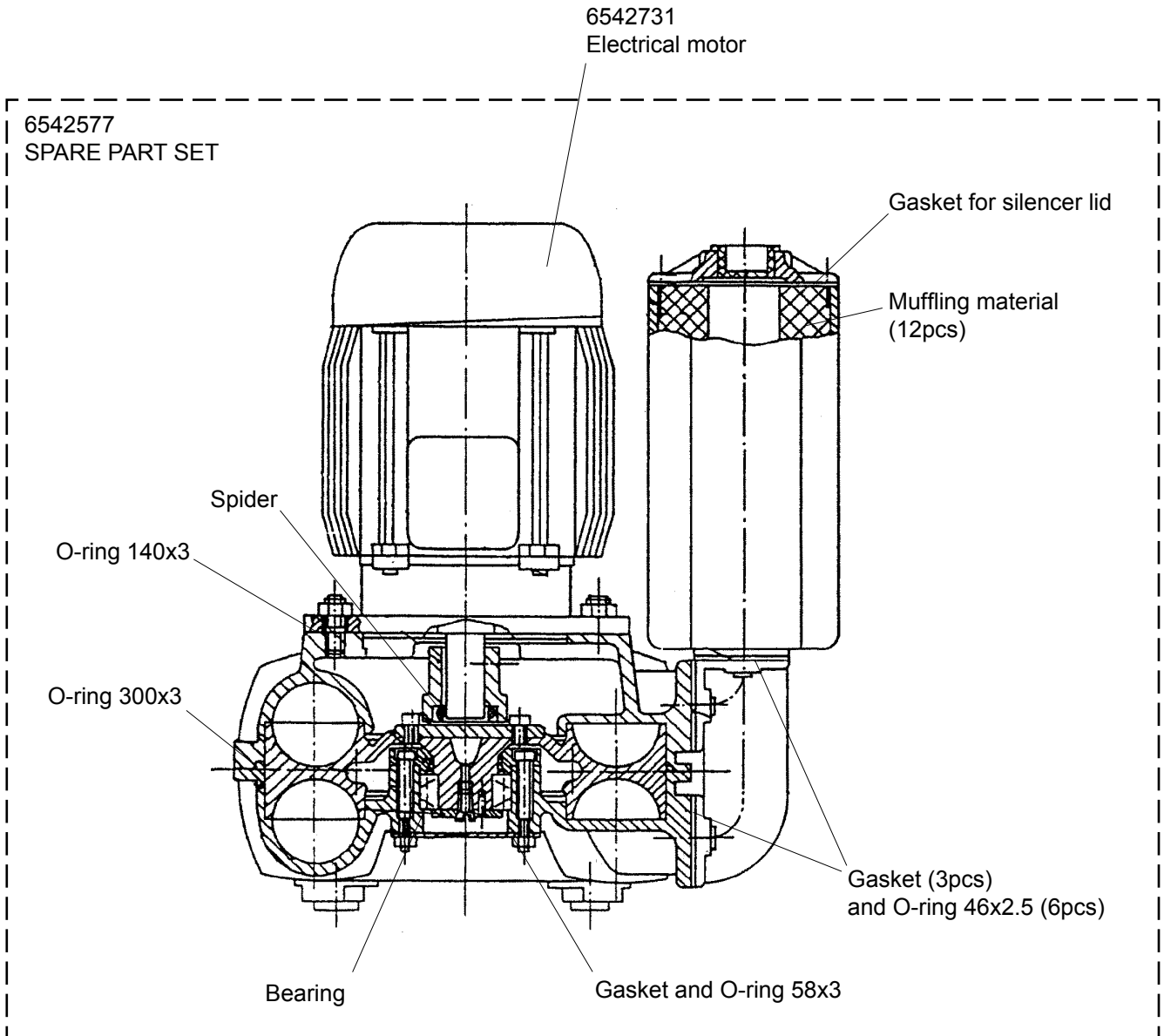
6547141 DOSING PUMP SET, CHEMICAL TANK 30 L



6542305 AIR BLOWER



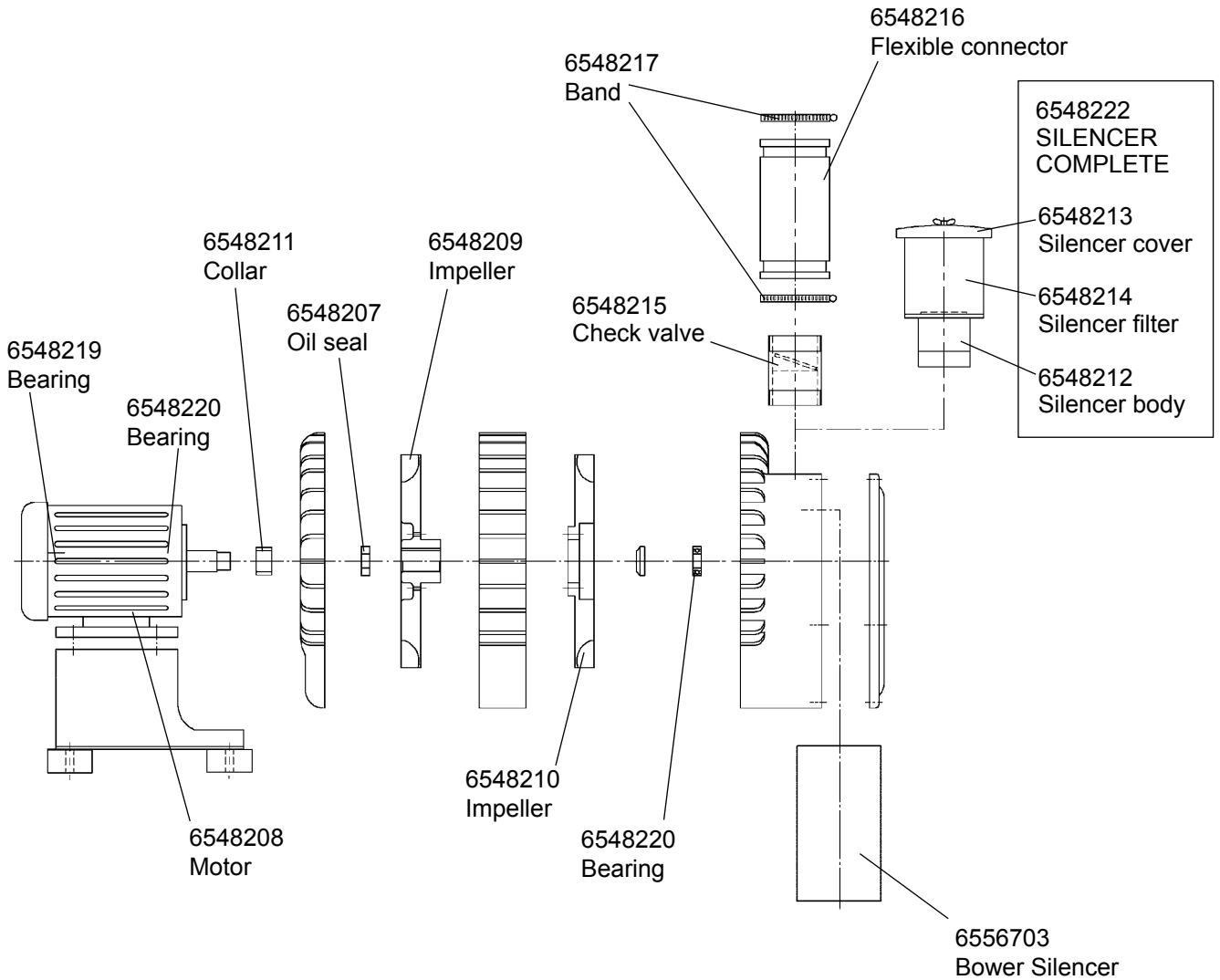
! NOTE: Spare parts included in spare part set are not sold separately.

6542695 AIR BLOWER

! NOTE: Spare parts included in spare part set are not sold separately.

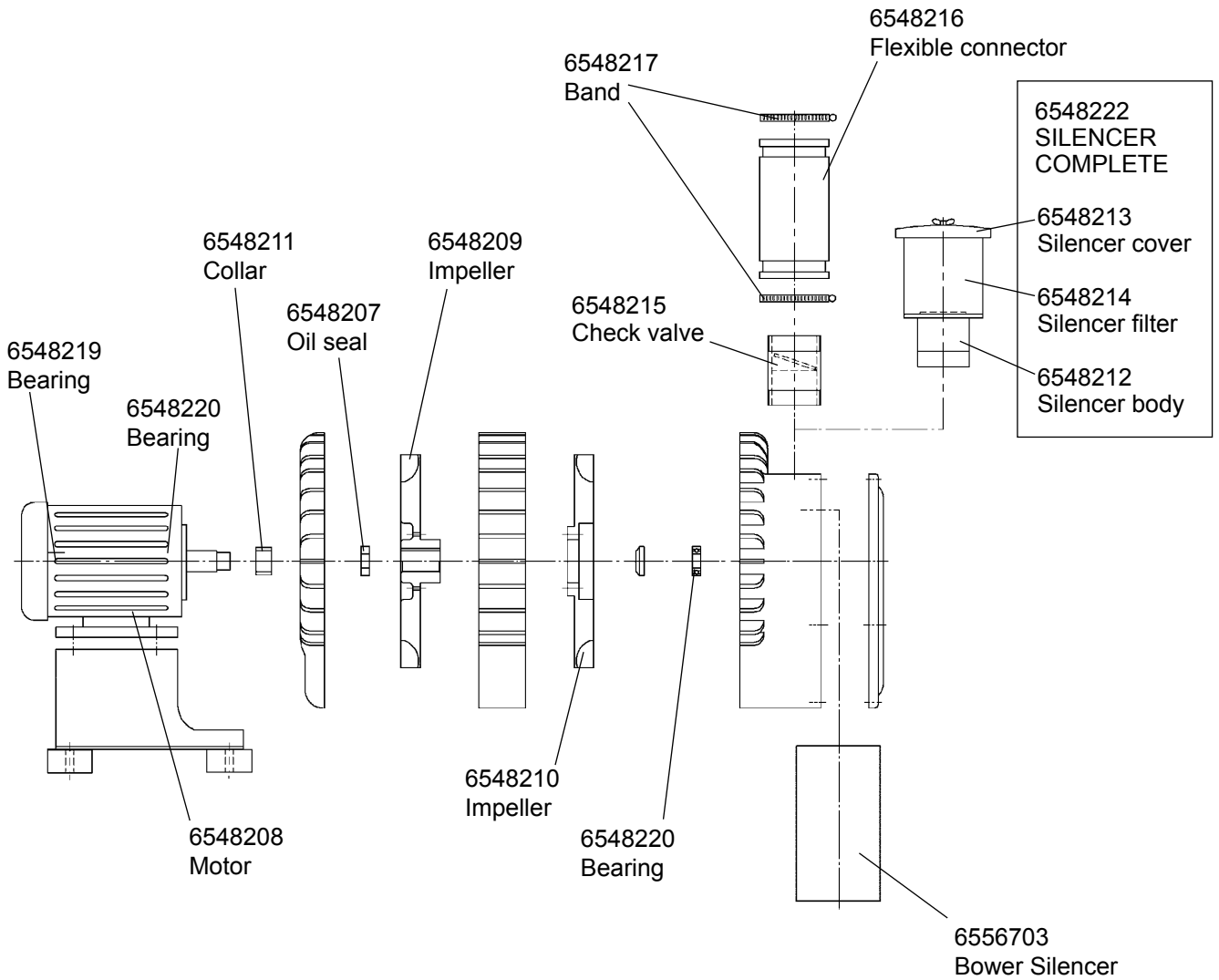
6546810 AIR BLOWER, 3x440-480 V 60 Hz, 3x660-720 V 50 Hz

6548168
 SPARE PART KIT:
 1 x 6548219 Bearing 1 (motor)
 2 x 6548220 Bearing 2 (motor, blower)
 1 x 6548222 Silencer complete



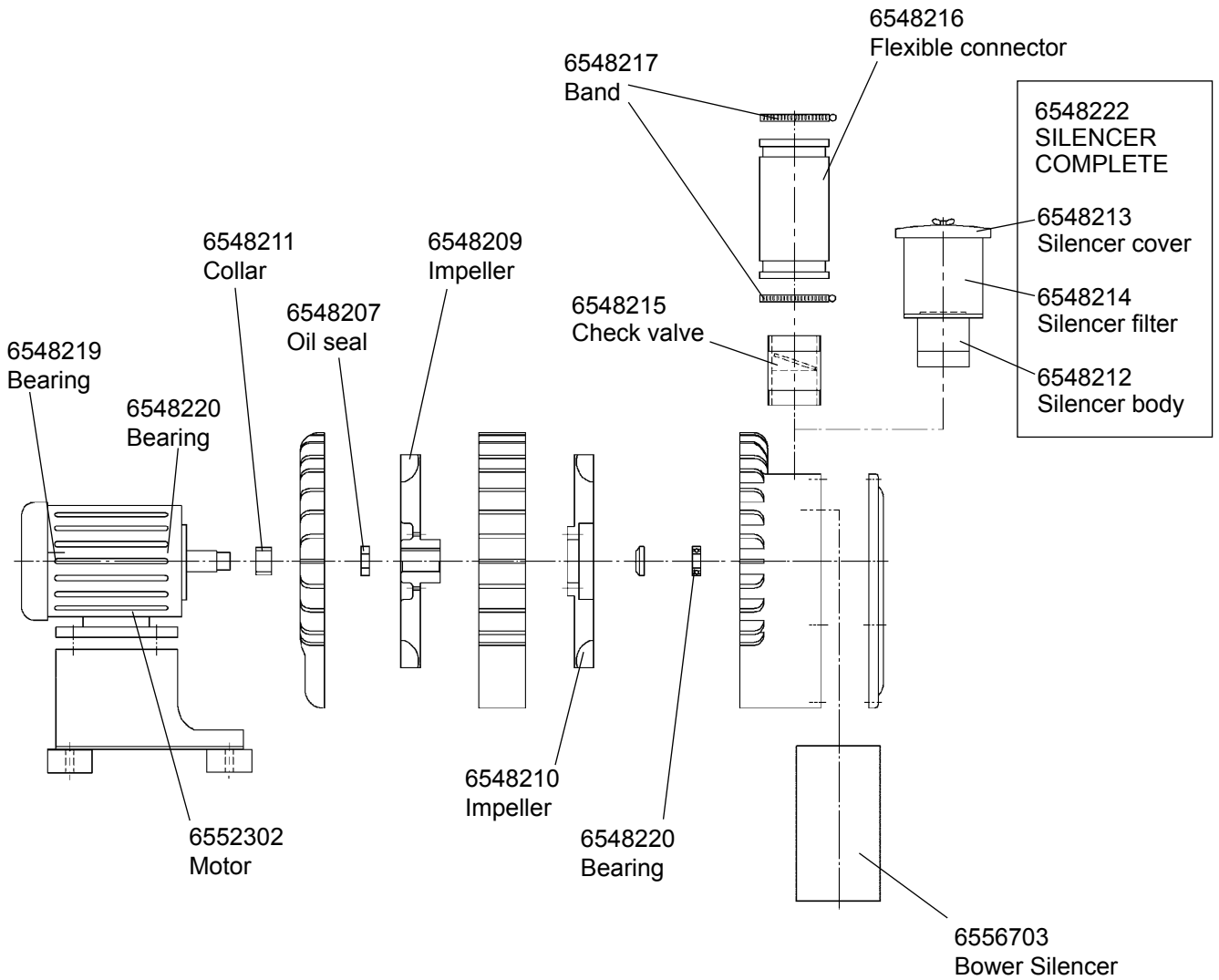
6546811 AIR BLOWER

6548168
 SPARE PART KIT:
 1 x 6548219 Bearing 1 (Motor)
 2 x 6548220 Bearing 2 (Motor)
 1 x 6548222 Silencer complete

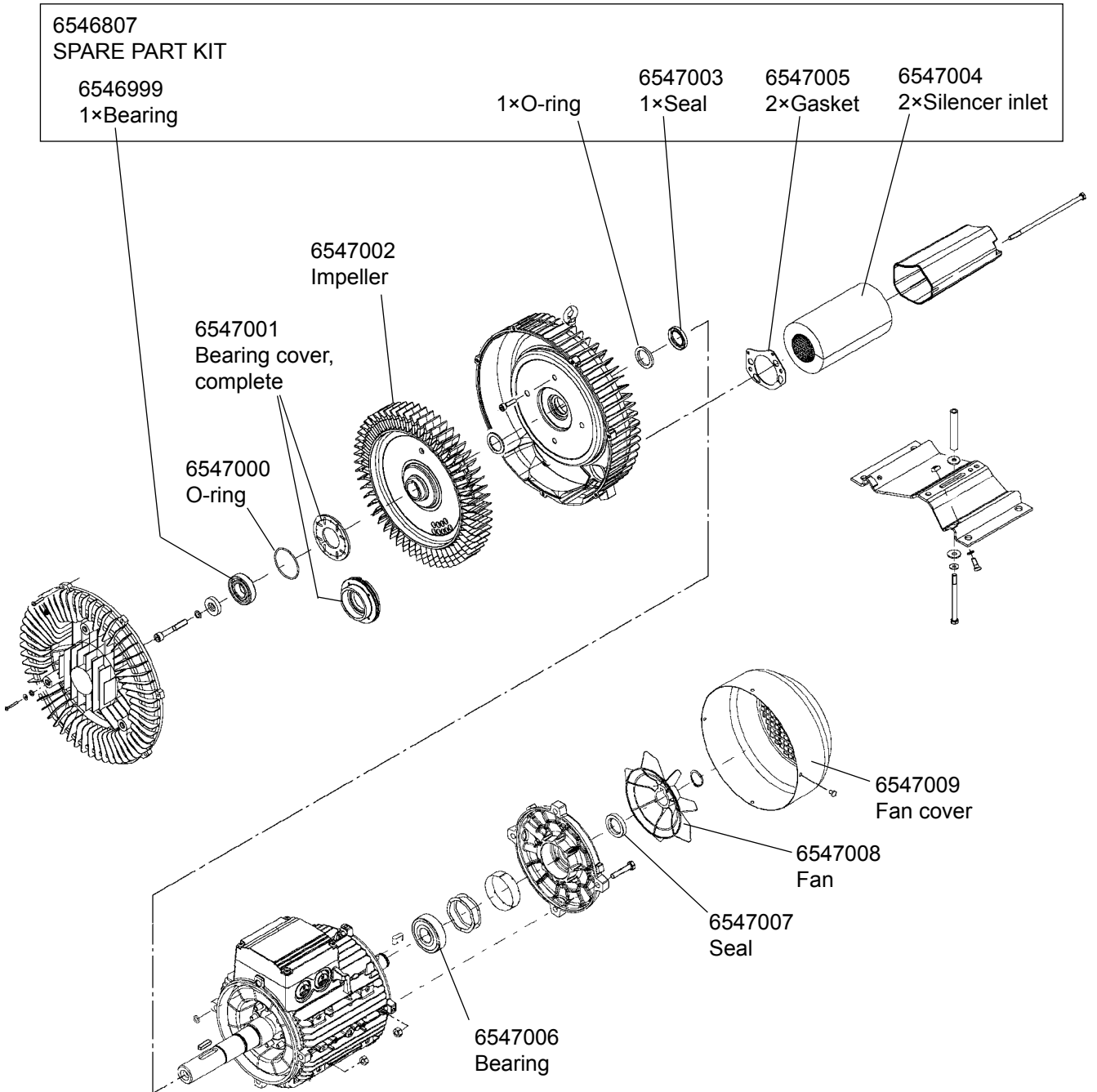


6546812 AIR BLOWER, 3x380-415 V 60 Hz, 3x660-720 V 60 Hz

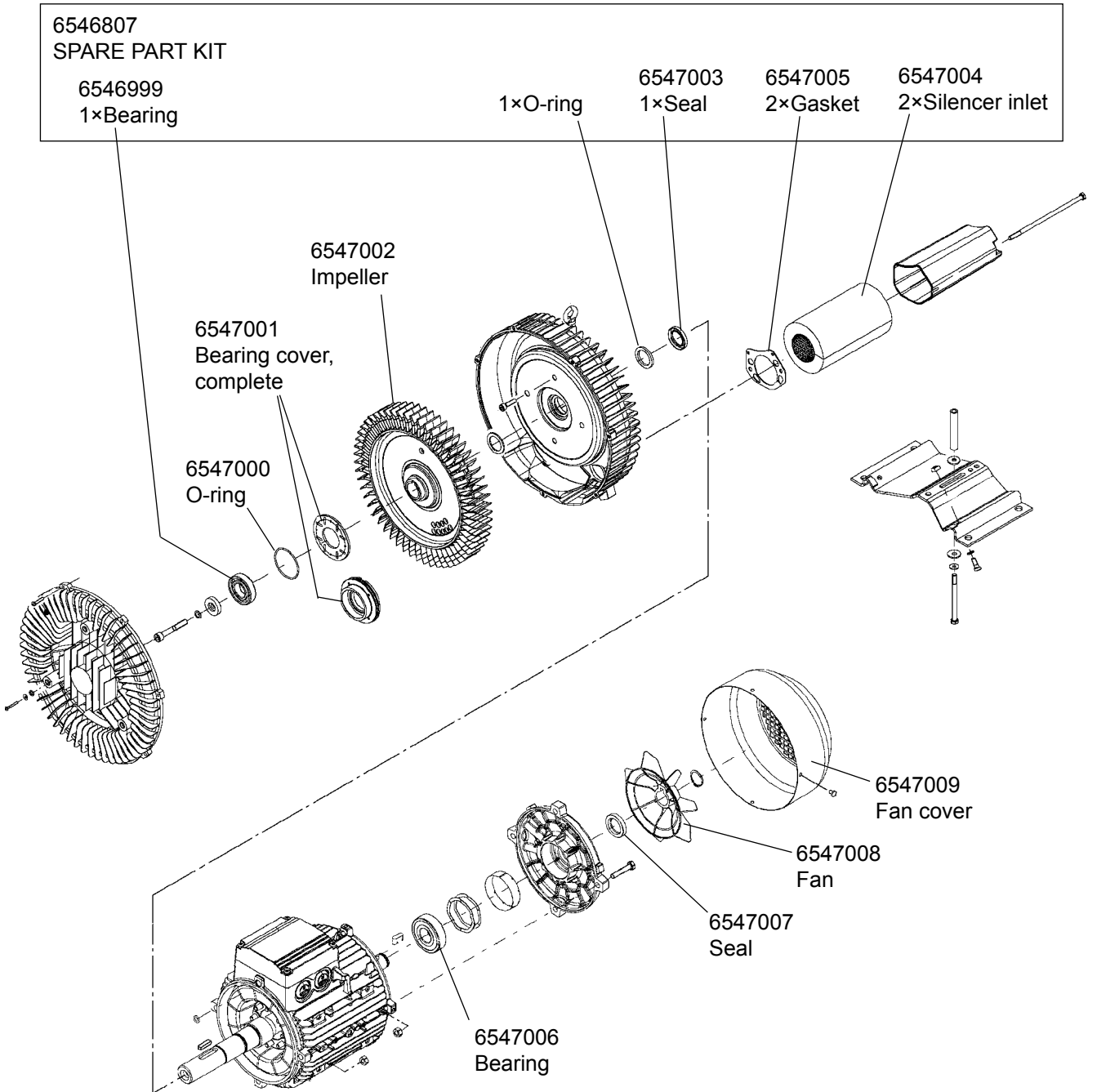
6548168
 SPARE PART KIT
 1 x 6548219 Bearing 1 (Motor)
 2 x 6548220 Bearing 2 (Motor)
 1 x 6548222 Silencer complete



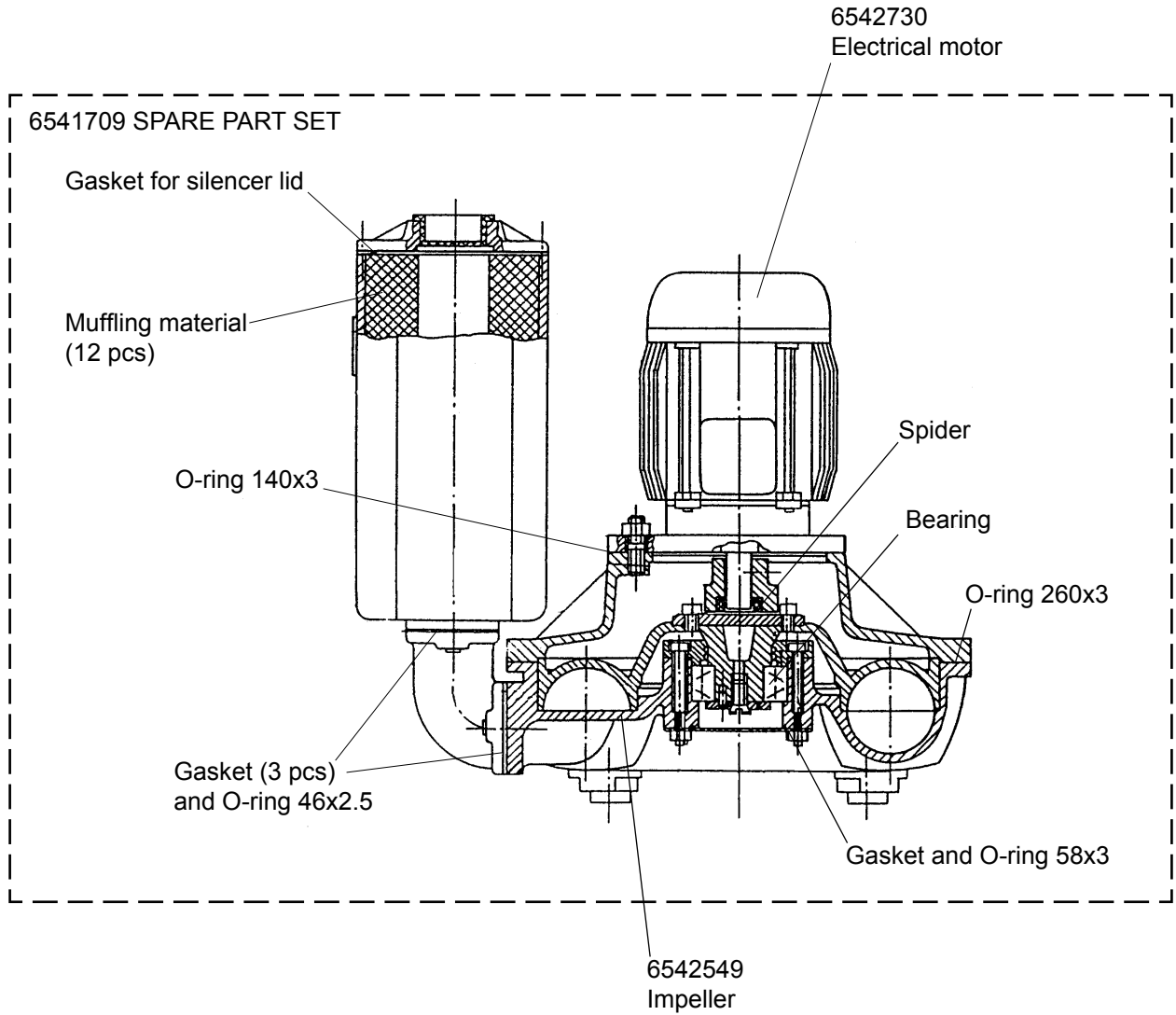
6546583 AIR BLOWER



6547536 AIR BLOWER

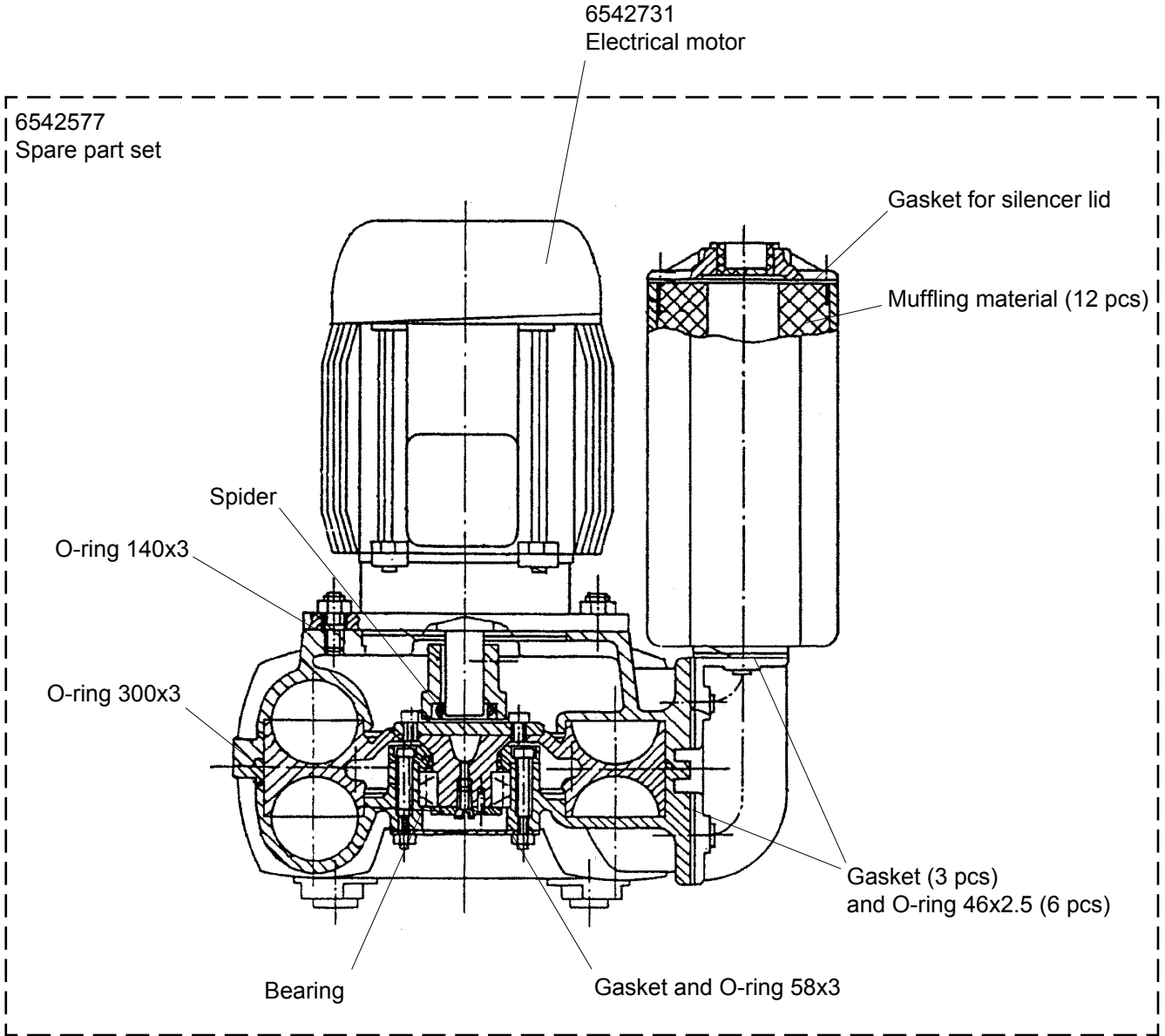


70302001 AIR BLOWER V12YR, 400 V 50 Hz, 690 V 50 Hz, 460 V 60 Hz



! NOTE: Spare parts included in spare part set are not sold separately.

70303001 AIR BLOWER V22YR, 3×400/460 V, 50/60 Hz

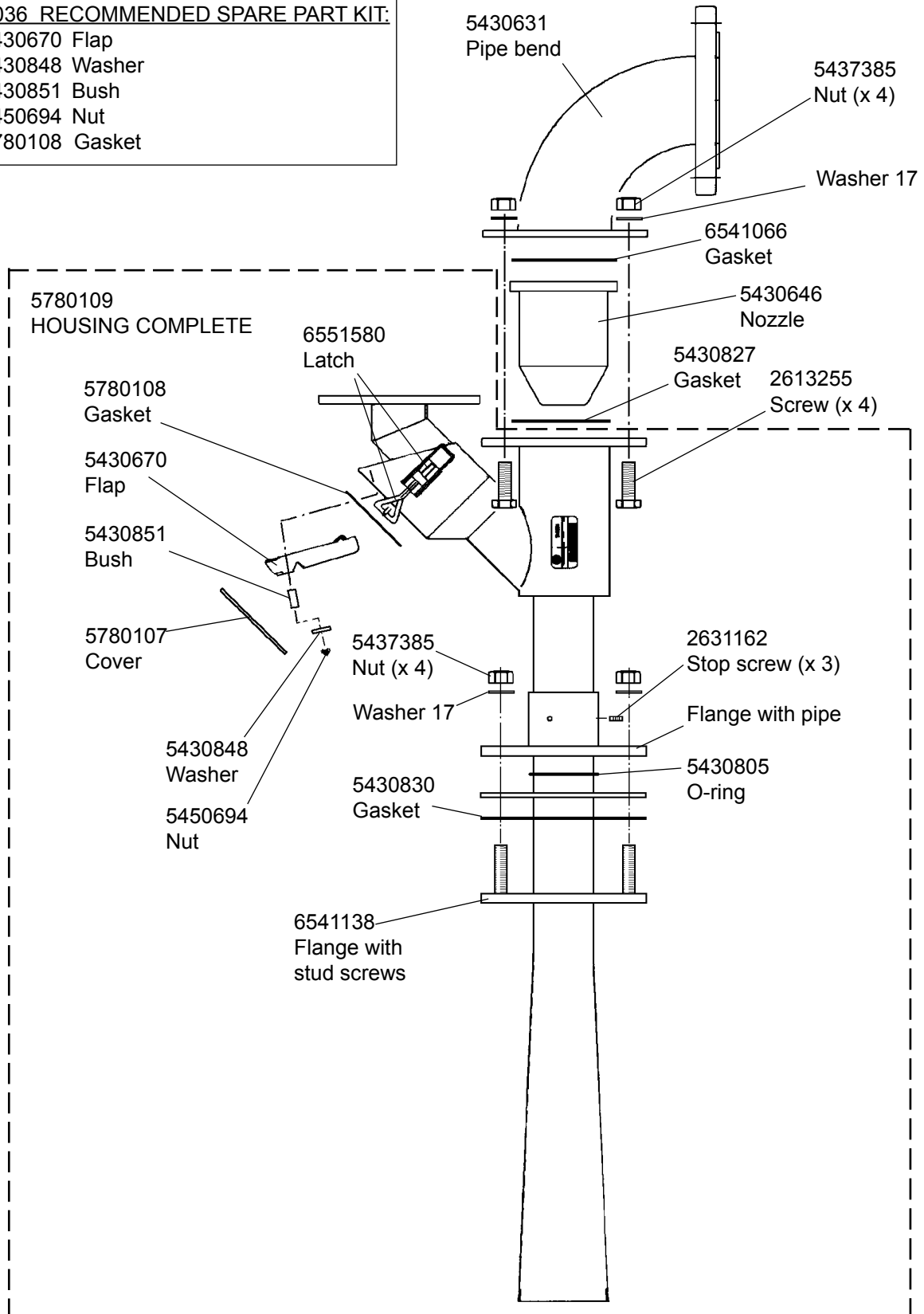


! NOTE: Spare parts included in spare part set are not sold separately.

5780120 EJECTOR DN100, MARVAC

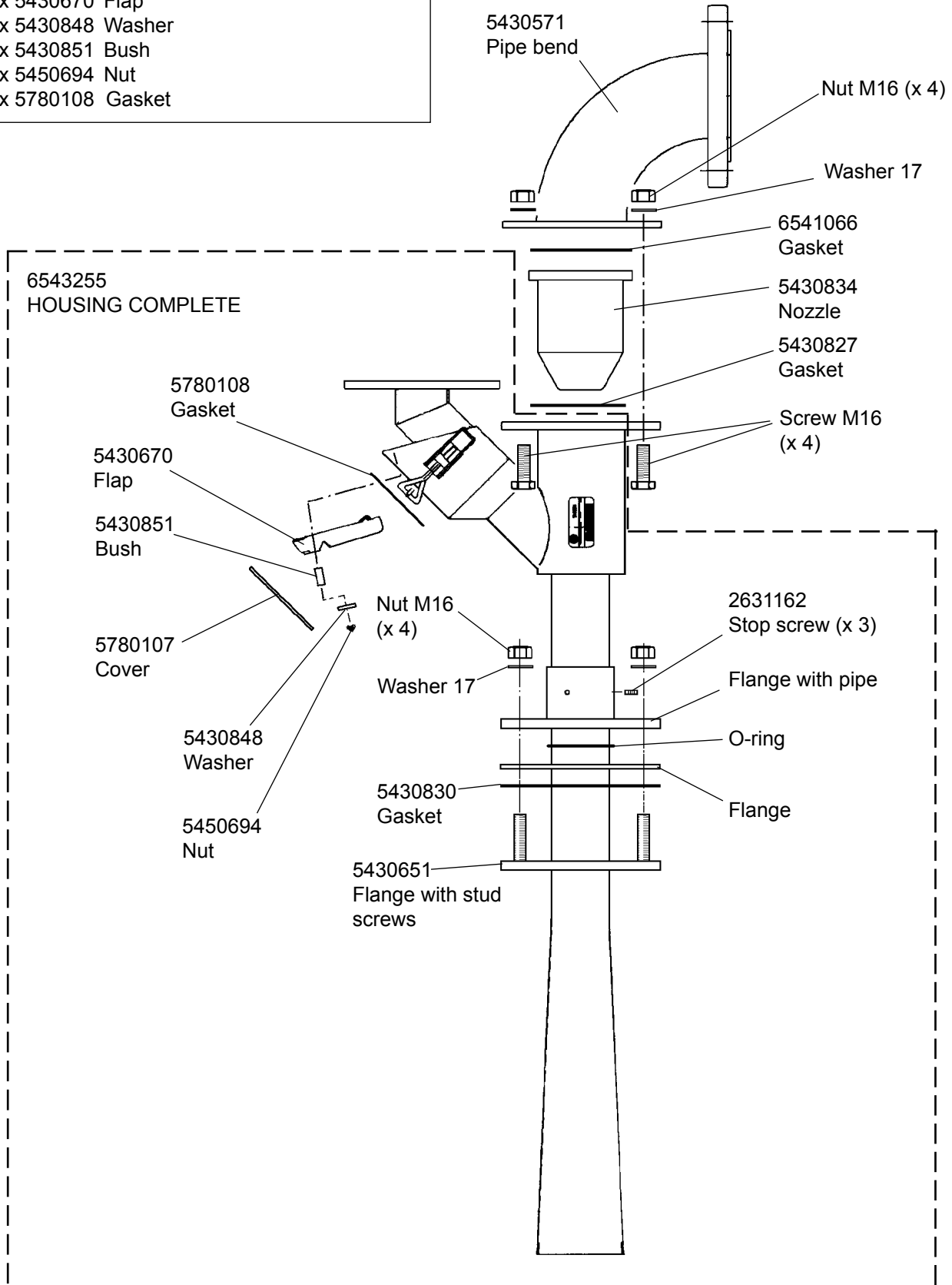
6543036 RECOMMENDED SPARE PART KIT:

- 1 x 5430670 Flap
- 1 x 5430848 Washer
- 2 x 5430851 Bush
- 2 x 5450694 Nut
- 1 x 5780108 Gasket



6543253 EJECTOR DN80, MARVAC

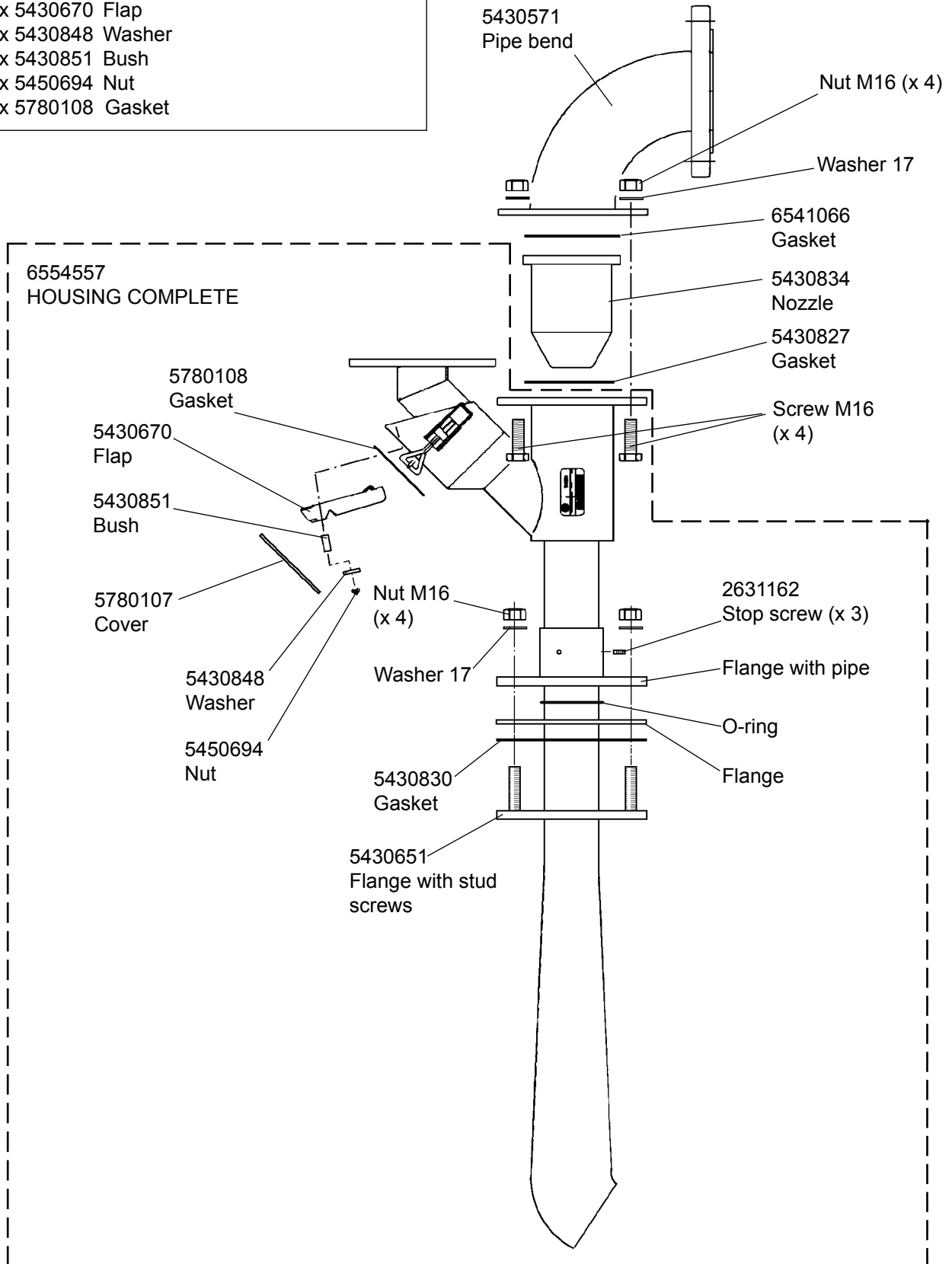
- 6543036 RECOMMENDED SPARE PART KIT:**
- 1 x 5430670 Flap
 - 1 x 5430848 Washer
 - 2 x 5430851 Bush
 - 2 x 5450694 Nut
 - 1 x 5780108 Gasket



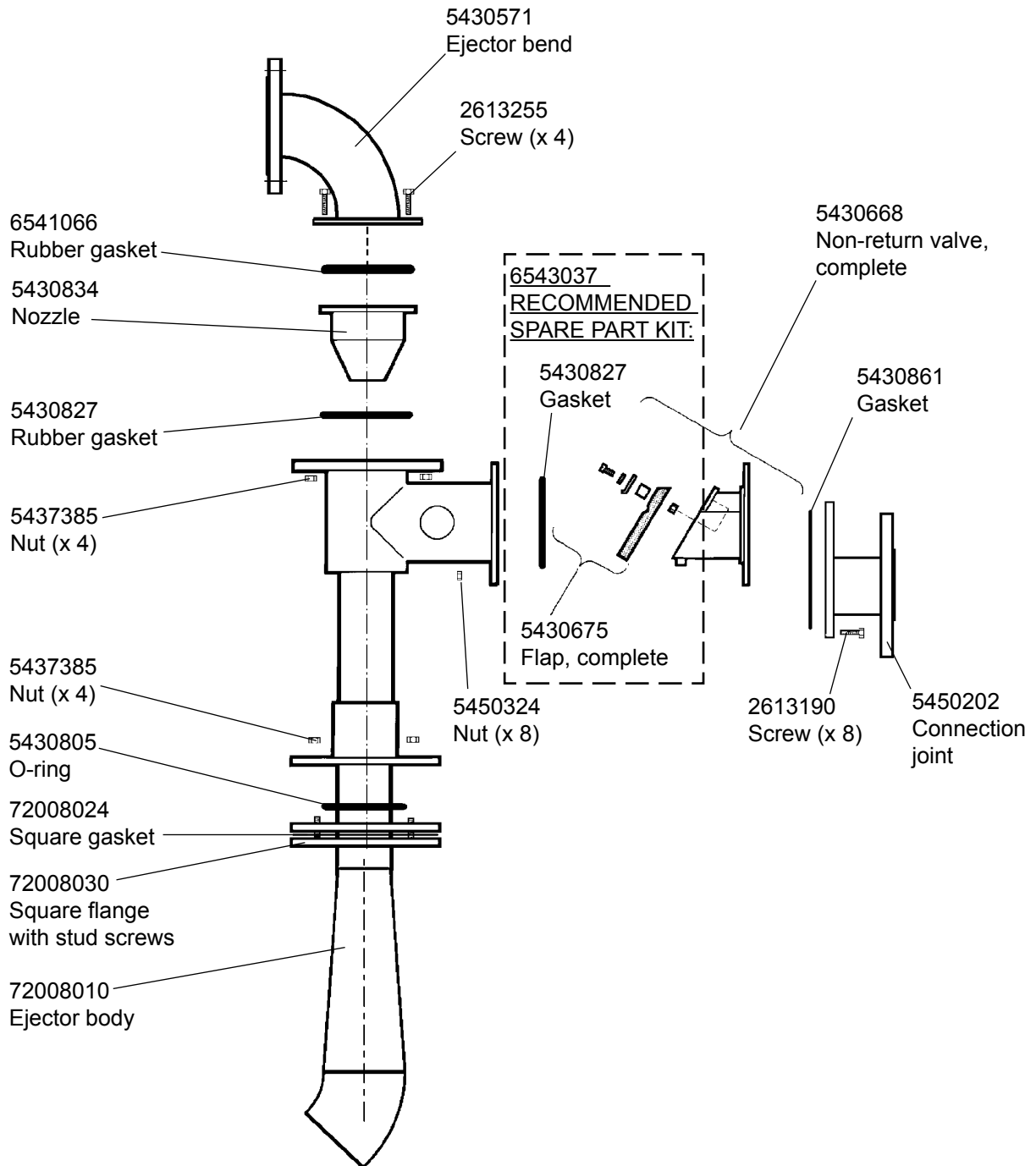
6549899 EJECTOR DN80, MARVAC

6543036 RECOMMENDED SPARE PART KIT:

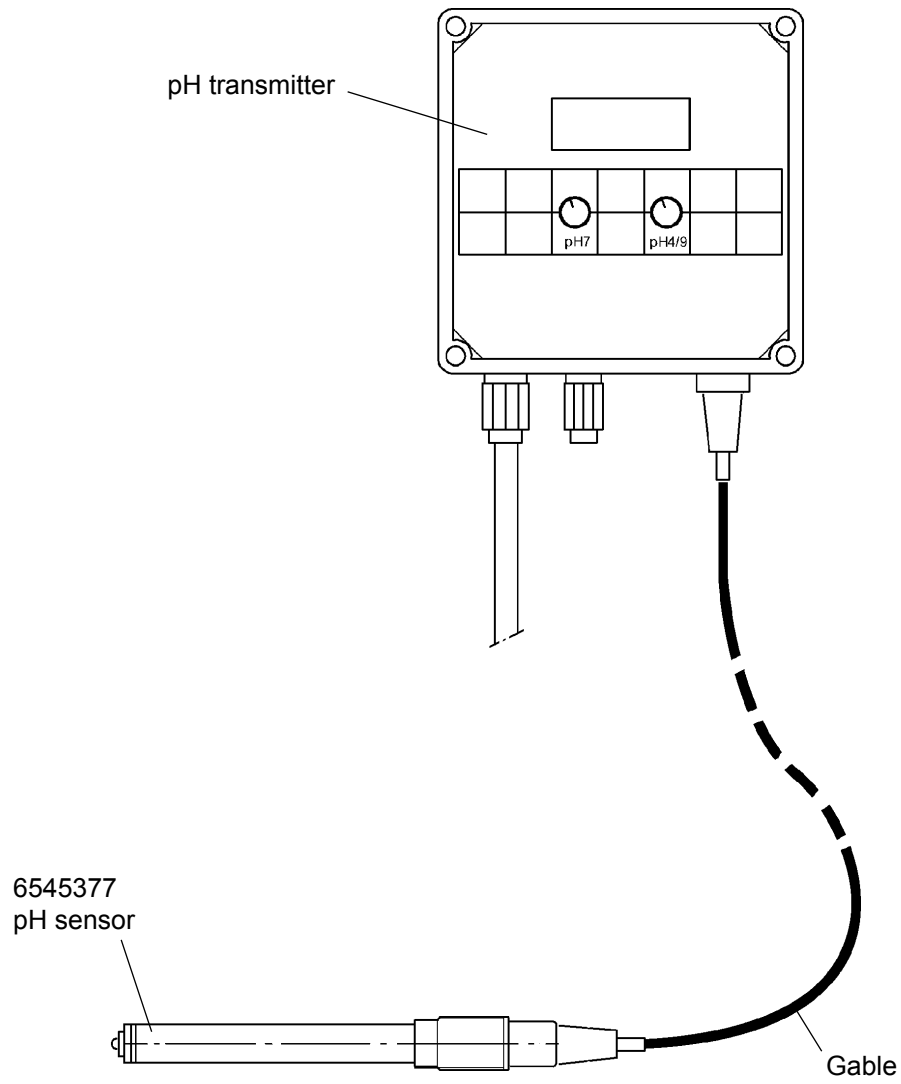
- 1 x 5430670 Flap
- 1 x 5430848 Washer
- 2 x 5430851 Bush
- 2 x 5450694 Nut
- 1 x 5780108 Gasket



72008000 EJECTOR DN80, NOZZLE Ø30



6545376 pH TRANSMITTER SET



4. WASTE TREATMENT SOLUTIONS

4.4 DRY WASTE HANDLING SYSTEMS

NORSK INOVA WASTE TREATMENT SYSTEMS

[General](#)

GARBAGE HANDLING SYSTEMS

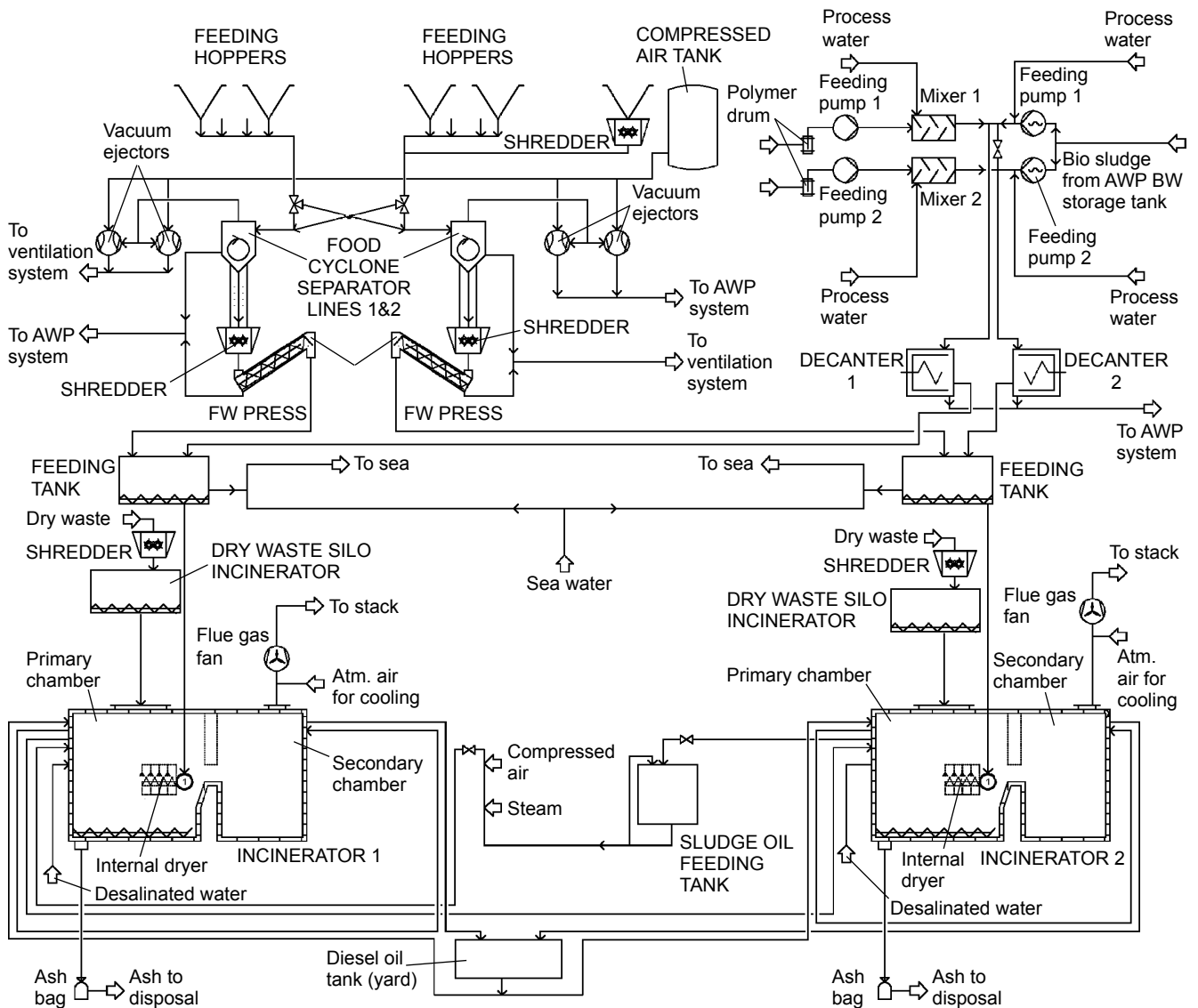
NORSK INOVA WASTE TREATMENT SYSTEMS

1. Introduction

The system is designed for the handling of wet and dry waste in a healthy and environmentally-friendly way with minimum energy use. It has been developed with the aim of cost effective installation and maintenance. The waste generated on board a ship is processed in order to reduce volume through compaction, shredding and burning. The main components are:

- Control system
- Food waste system
- Bio residue treatment system
- Waste incinerator system
- Recycling and storage system

Process diagram



GARBAGE HANDLING SYSTEMS

NORSK INOVA WASTE TREATMENT SYSTEMS

2. Control system

The main components of the control system are:

- Operator station
- Programmable Logic Controllers (PLC)
- Distributed input and output (I/O) modules

The PLC is connected to distributed I/O units for the collection of data from the process and activation of commands or control signals to the process, and to an operator station for plant control and monitoring via the Human Machine Interface (HMI).

The HMI system provides:

- Plant/process-related graphic pictures
- Alarm handling (system and process alarms)
- Trend displays
- Hour counters
- Parameter settings
- Manual and automatic operation of motors and valves.

The operator can access all plants, the Waste Incinerator system, Food Waste System and the Bio Residue Treatment System from the operator station. All plant-related information can be monitored and controlled from the same operator station through the same HMI software.

The control system is designed for the extensive use of data communication buses like Ethernet, Profibus DP and ASI bus (Actuator Sensor Interface), to reduce cabling to a minimum. For communication with the ship's main control system (IAMCS) a Mod bus serial bus interface is provided. The dry waste compactor, the tin cans densifier and the glass breaker are operated as "stand alone" units.

3. Food waste system

The Food Waste System is designed on vacuum conveying technology. The system allows segregated conveying of the food waste generated on board. It is completely automatic and designed as an entirely closed assembly. Food waste will be transported from the in-feed units and to the cyclone without any residence time in the pipeline. From the cyclone the food waste drops into a shredder before water is removed in a water press that also conveys the food waste with approx. 20% DSC into the silos. The main components are:

- Infeed units
- Cyclones
- Shredder
- Vacuum pumps
- Wet waste silo
- Water press

The food is transported from the in-feed units to the cyclone by vacuum in the pipelines. The vacuum is generated by the vacuum pumps. Each pump skid has the capacity to serve the whole system.

Food waste is collected in the hoppers, with approx. 30 l capacity, located in the different galleys or food preparation areas. When the operator requests that the hoppers are emptied by pressing the appropriate button, a sluice valve in the infeed unit, (in a preferential sequence when there are multiple simultaneous requests), will open as soon as the injectors have generated a sufficient vacuum in the pipeline after the last emptying. One of the in-feed units will be equipped with a bone shredder. At the bottom of the cyclone is a chute, divided into two sections by sliding valves, through which the food waste is then fed by gravity into the shredder. This is a sluice system that makes it possible to operate the vacuum system even if one of the valves is open.

GARBAGE HANDLING SYSTEMS

NORSK INOVA WASTE TREATMENT SYSTEMS

The collecting lines are designed to handle the total amount of food waste generated throughout the day, and consequently the processing lines can work independently, collecting the food waste from the designated feeding units or switching all the units to one collecting line due to the cross-connection facility. To cross-connect the two lines, two remotely operated valves are installed.

The shredder located below the cyclone starts automatically when the collecting cycle is activated. The shredder is designed to cut the wet waste below the minimum IMO size to allow overboard discharge.

The average dry solids content (DSC) of the shredded waste is approx. 5-7%, and prior to feeding into the incinerator the water presses increases the DSC to approx. 20% by squeezing the slurry to separate excess water. A water drain is installed to collect and discharge separated water into suitable tanks for processing. The press is controlled by the PLC system.

The dewatered waste from the screw press is conveyed to the stainless steel silos. The silos are provided with a level sensor, vent line connection and inspection hatch. Food waste is then transported to the next process, or to an overboard system, by a transportation screw located in the bottom of the silo.

4. Bio residue treatment system

The Advanced Waste Water Treatment System is installed for the purification of grey and black water from cabins, galleys, toilets, etc. The output of the system is clean water that is discharged into the sea, and bio residue that is further treated on board in a dedicated system consisting of:

- Transfer pumps
- Macerator
- Polymer mixing station
- Dewatering unit
- Bio residue holding tank

A screw pump transfers the bio sludge from the collection tank to the polymer mixing tank. Thereafter the sludge is mixed with a polymer to enhance dewatering capabilities.

The dewatering unit delivers a residue with dry solids content (DSC) of approx. 20% by weight with an in-feed capacity of 4 m³/h bio sludge with 2-3% DSC. Separated reject water and bio residues flow by gravity back to the wastewater mixing tank and the bio residue holding tank. The system is closed. Unpleasant odours are removed in the combustion process and will not cause unfavourable conditions in machinery or passenger areas.

5. Waste incinerator system

The main components are:

- Sorting table
- Shredder
- Dry waste silo
- Incinerator, including
 - Hydraulic power pack
 - Feeding gates
 - Flue gas fan
 - Smoke density monitor
 - Water injection
 - Sludge oil burner
 - Sludge oil tank
- Internal dryer
- Ash vacuum transport system (optional)

GARBAGE HANDLING SYSTEMS

NORSK INOVA WASTE TREATMENT SYSTEMS

A sorting table is installed in the carbage room. From this table the waste is manually fed into the heavy-duty shredder located below in order to maximize volume reduction and homogenize the garbage burning value. A control panel is mounted on the shredder body. The unit stops in the event of a high level alarm or activation of a smoke detector in the garbage silo.

The shredded burnable waste is fed by gravity into the dry waste silo that is kept pressurized in order to avoid unpleasant smels emanating from the waste. The silo is equipped with a level sensor, heat detector and a connection for fire fighting. The feeding of burnable waste to the incinerator takes place automatically by means of a screw in the bottom of the silo and conveys the garbage into the vertical steel duct on top of the incinerator. Gravity the waste to fall into the incinerator's feeding chamber with hydraulically driven upper and lower sliding gates. The automatically operated knife gate valve isolates the dry garbage silo from the garbage room.

The hydraulic power pack, for operation of the hydraulic actuators for the feeding gates and the shut of gate valve, is provided with a non-burnable fluid and is designed as a compounded, self-contained unit. Should blackout conditions occur, the hydraulic accumulator will automatically closes all gates.

In the incinerator, the burning of waste takes place in two steps. In the primary chamber, with a temperature of approximately 850 - 950°C, decomposition is achieved by partial pyrolysis. The complete breakdown of gases and residual components takes place in the secondary chamber, with a minimum temperature of 850°C. The flue gas is odourless. When the incinerator starts up, the primary and the secondary oil burners are activated until the set point of 850°C is reached.

The incinerator is equipped with a water injection system for increased waste burning capacity. The feeding of normal waste into of the incinerator takes place at the primary chamber temperature below a given limit. The water injection will shorten the period between two waste feedings and thus increase the waste burning capacity. The energy for waste burning evaporates the water instead of heating the inner incinerator walls and atmosphere.

The incinerator is designed to burn mixed solid waste, sludge oil and dewatered wet waste, separately or simultaneously. It is also designed to handle waste which is 100% plastics, but PVC-based types of plastic should be sorted and removed out in order to avoid dioxin generation. The flue gas temperature inside the burning chambers and the long residence time of the flue gas in the secondary chamber ensures a low amount of particles, NOx and CO emissions.

Spare parts requests:

Evac Norway AS
Norway
Tel.: + 47 350 29700
e-mail: evac.norway@evac.com
www.evac.com

4. WASTE TREATMENT SOLUTIONS

4.5 FOOD WASTE HANDLING SYSTEMS

EVAC MFS / SMFS

EVAC FOOD WASTE TANK

EVAC VU175

4. WASTE TREATMENT SOLUTIONS

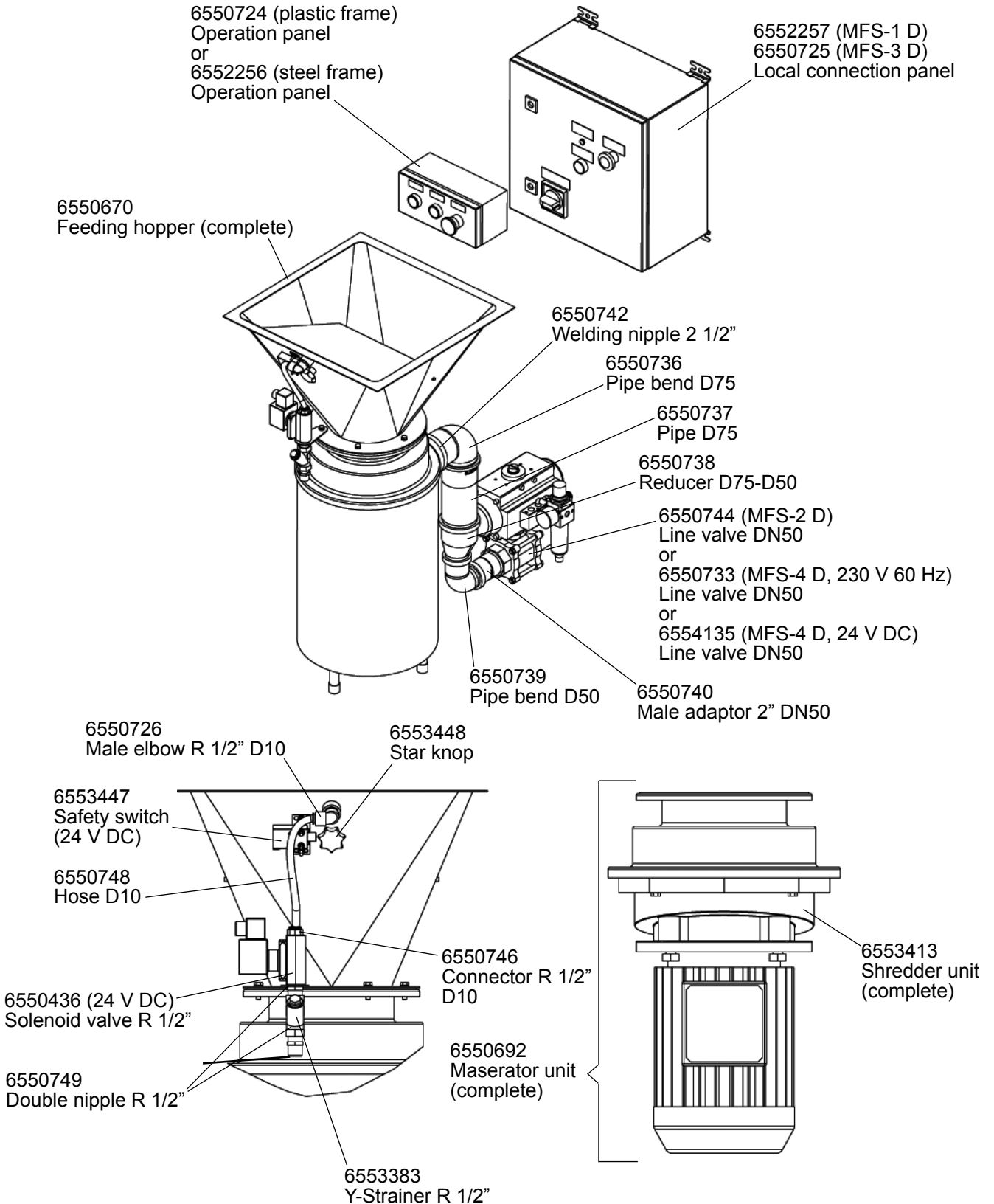
4.5 FOOD WASTE HANDLING SYSTEMS

EVAC MFS / SMFS

[Spare parts](#)

EVAC MFS

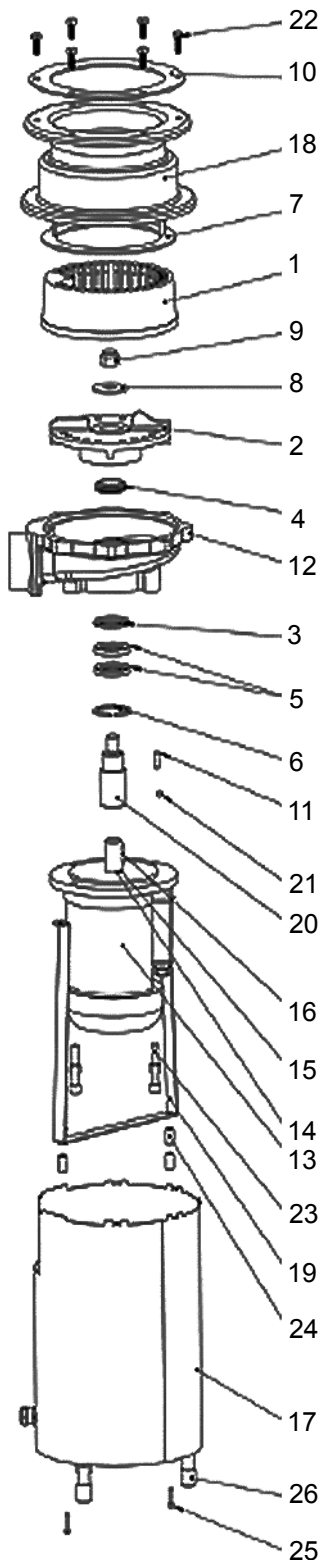
6550766 MFS-1 D, 3x380-415 V 50 Hz, 3x440-480 V 60 Hz
 6550731 MFS-3 D, 3x380-415 V 50 Hz, 3x440-480 V 60 Hz



EVAC MFS

6550766 MFS-1 D, 3x380-415 V 50 Hz, 3x440-480 V 60 Hz

6550731 MFS-3 D, 3x380-415 V 50 Hz, 3x440-480 V 60 Hz



Item	Description	Part no.
1	Stationary shredder	6554200
2	Rotary shredder	6554201
3	Washer for V-ring seal	6554202
4	V-ring seal	6554203
5	Axel seal, 2 pcs, with stainless spring	6554204
6	Locking ring, SgH	6554205
7	Seal for stationary shredder	6554206
8	Washer	6554207
9	Axel nut	6554208
10	Seal for hood flange	6554209
11	Key for carrier	6554210
12	End shield	6554211
13	Motor with drained upper flange *	6550691**
14	Axel seal, 1 pc. motor drive side, 1 pc. motor fan side *	6554212**
15	Bearing, 1 pc. motor drive side, 1 pc. motor fan side *	6554213**
16	Key for motor shaft *	6554214**
17	Housing	6554215
18	Hood	6554216
19	Strap for housing	6554217
20	Carrier	6554218
21	Fixing screw for carrier, SK6SS M6x6	6554219
22	Screw and nut, 6 pcs, stainless, M6S M8x16 and M6M M8	6554220
23	Screw, 4 pcs MC6S M12x30	6554221
24	Nut, 4 pcs, washer, 4 pcs LM6S M8, 4 pcs,	6554222
25	Screw and washer, 2 pcs, stainless M6S M5x20	6554223
26	Adjustable legs, 3 pcs	6554224

Spare parts not shown in drawing		Part no.
27	Special grease for seals and carrier	6554225
28	Rubber sealing compound	6554226
29	Torque protection bar for fixing MFS to the wall / bulkhead	6554227
30	Torque protection clamb, 3 pcs for fixing MFS legs to floor	6554228
31	Jam release wrench for rotary shredder	6554118
32	Contactora with motor protector and coil *	6554229**
33	Contactora coil *	6554230**
34	Rubber protector with 90mm inlet opening	6554231

* Voltage and manufacture required when ordering

** ID for voltage: 380-415 V 50 Hz, 440-480 V 60 Hz

SERVICE PACKAGE 1: 6554500

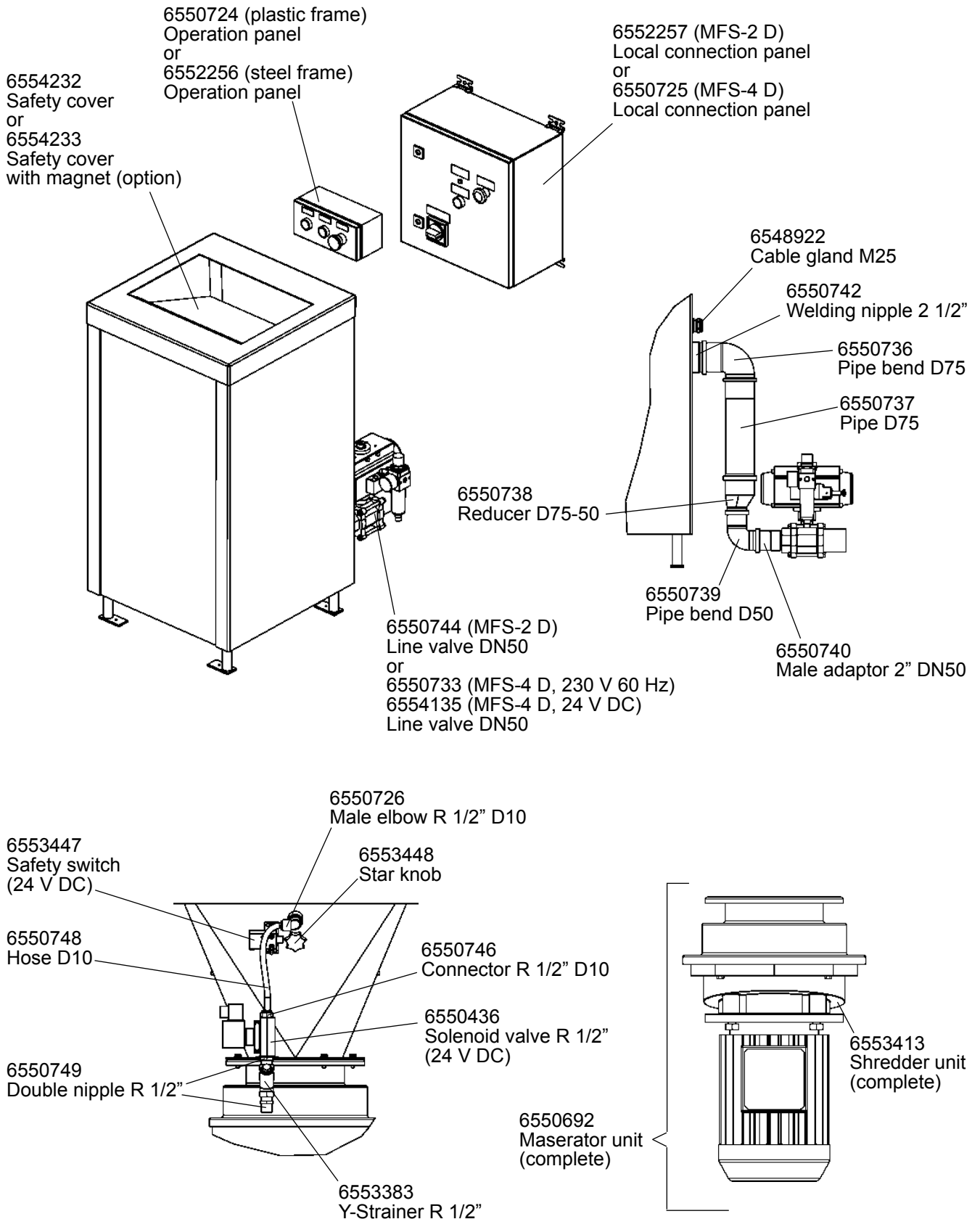
Items to be replaced when carrying out a preventative maintenance. Article number: 3, 4, 5, 6, 7, 8, 9, 10, 11, 27, 28. If required Solenoid valve (24 V DC: 6550436) , Safety switch (24 V DC: 6553447) and (33) Contactora coil.

SERVICE PACKAGE 2: 6554501

Items required when replacing parts subject to wear are items included in Service Package 1 plus the following. Article number: 1, 2, 20, 21, 22, 23, 24, 25.

EVAC MFS

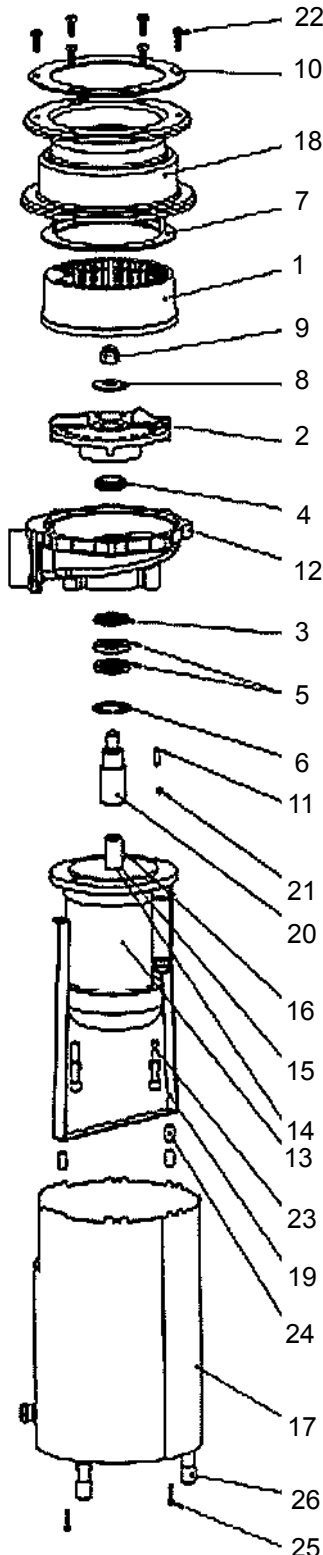
6550669 MFS-2 D, 3x380-415 V 50 Hz, 3x440-480 V 60 Hz
 6551965 MFS-4 D, 3x380-415 V 50 Hz, 3x440-480 V 60 Hz



EVAC MFS

6550669 MFS-2 D, 3x380-415 V 50 Hz, 3x440-480 V 60 Hz

6551965 MFS-4 D, 3x380-415 V 50 Hz, 3x440-480 V 60 Hz



Item	Description	Part no.
1	Stationary shredder	6554200
2	Rotary shredder	6554201
3	Washer for V-ring seal	6554202
4	V-ring seal	6554203
5	Axel seal, 2 pcs, with stainless spring	6554204
6	Locking ring, SgH	6554205
7	Seal for stationary shredder	6554206
8	Washer	6554207
9	Axel nut	6554208
10	Seal for hood flange	6554209
11	Key for carrier	6554210
12	End shield	6554211
13	Motor with drained upper flange *	6550691**
14	Axel seal, 1 pc. motor drive side, 1 pc. motor fan side *	6554212**
15	Bearing, 1 pc. motor drive side, 1 pc. motor fan side *	6554213**
16	Key for motor shaft *	6554214**
17	n/a	n/a
18	Hood	6554216
19	n/a	n/a
20	Carrier	6554218
21	Fixing screw for carrier, SK6SS M6x6	6554219
22	Screw and nut, 6 pcs, stainless, M6S M8x16 and M6M M8	6554220
23	Screw, 4 pcs MC6S M12x30	6554221
24	Nut, 4 pcs, washer, 4 pcs LM6S M8, 4 pcs,	6554222
25	n/a	n/a
26	n/a	n/a

Spare parts not shown in drawing		Part no.
27	Special grease for seals and carrier	6554225
28	Rubber sealing compound	6554226
29	n/a	n/a
30	n/a	n/a
31	Jam release wrench for rotary shredder	6554118
32	Contactora with motor protector and coil *	6554229**
33	Contactora coil *	6554230**
34	Rubber protector with 90 mm inlet opening	6554231

n/a = not available for this model

* Voltage and manufacture required when ordering

** Parts for voltage: 380-415 V 50 Hz, 440-480 V 60 Hz

SERVICE PACKAGE 1: P/N 6554500

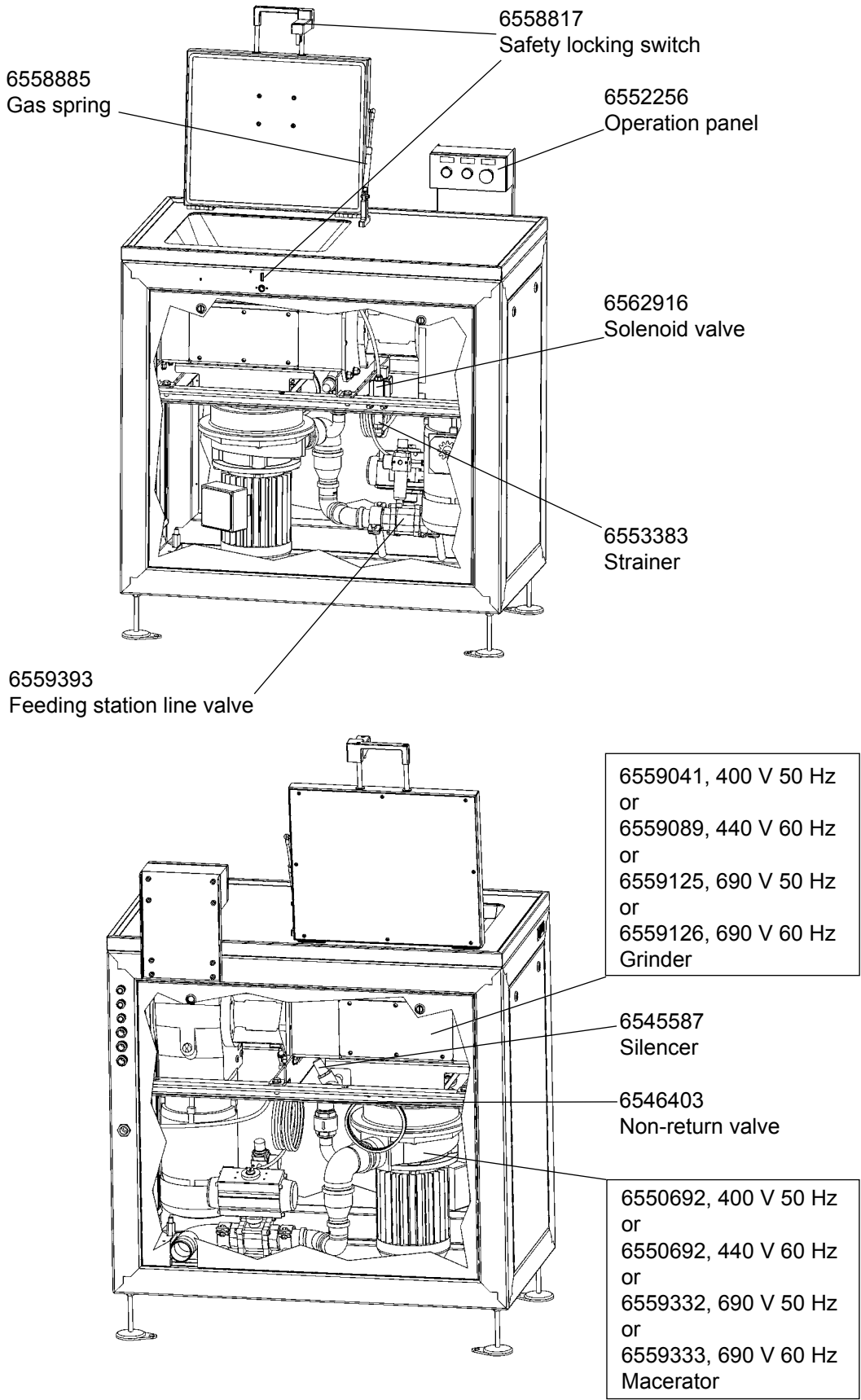
Items to be replaced when carrying out a preventative maintenance.

Article number: 3, 4, 5, 6, 7, 8, 9, 10, 11, 27, 28. If required Solenoid valve (6550436, 24 V DC), Safety switch (6553447, 24 V DC) and (33) Contactora coil.

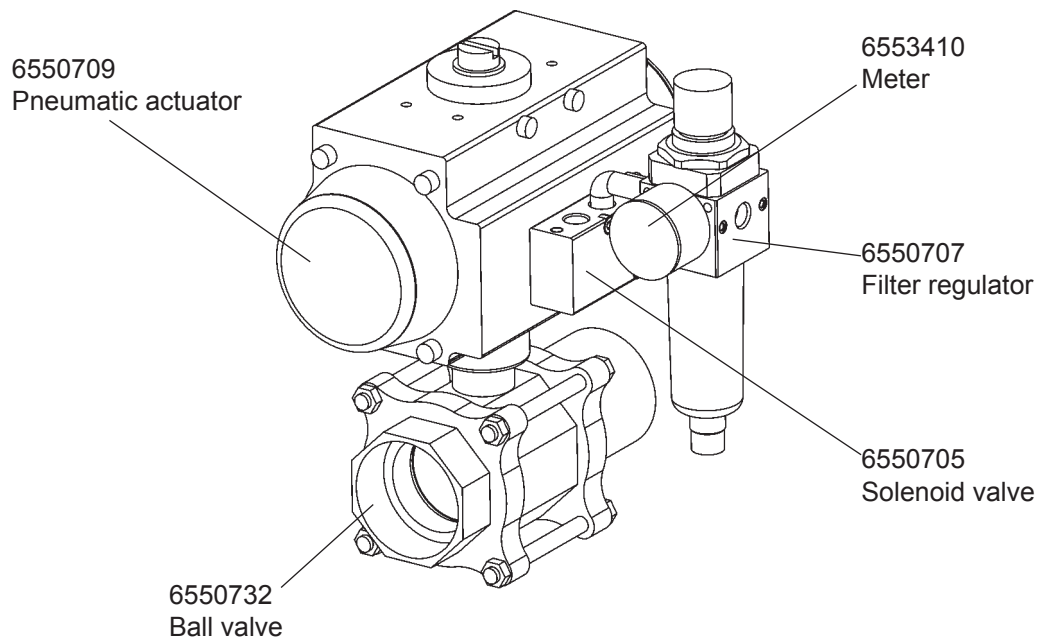
SERVICE PACKAGE 2: P/N 6554501

Items required when replacing parts subject to wear are items included in Service Package 1 plus the following. Article no.: 1, 2, 20, 21, 22, 23, 24, 25.

EVAC SMFS



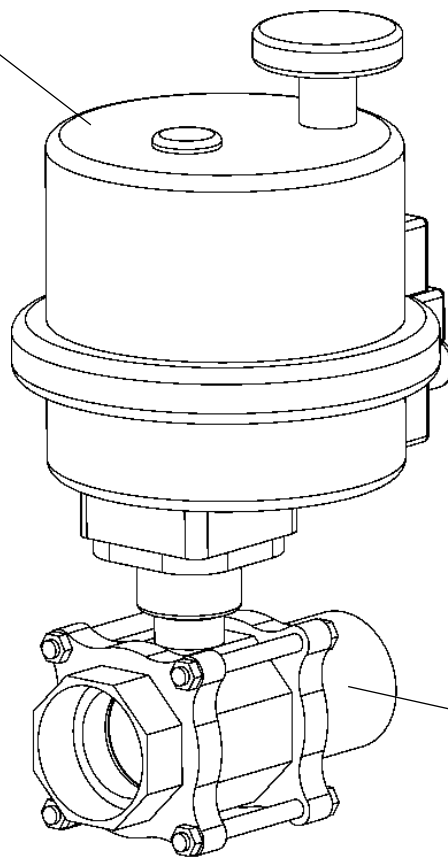
6550744 PNEUMATIC BALL VALVE DN50



EVAC MFS

6550733 ELECTRIC BALL VALVE DN50, 230 V 60 Hz
6554135 ELECTRIC BALL VALVE DN50, 24 V DC

6550720 (230 V 60 Hz)
6554134 (24 V DC)
Electric actuator



6550732
Ball valve

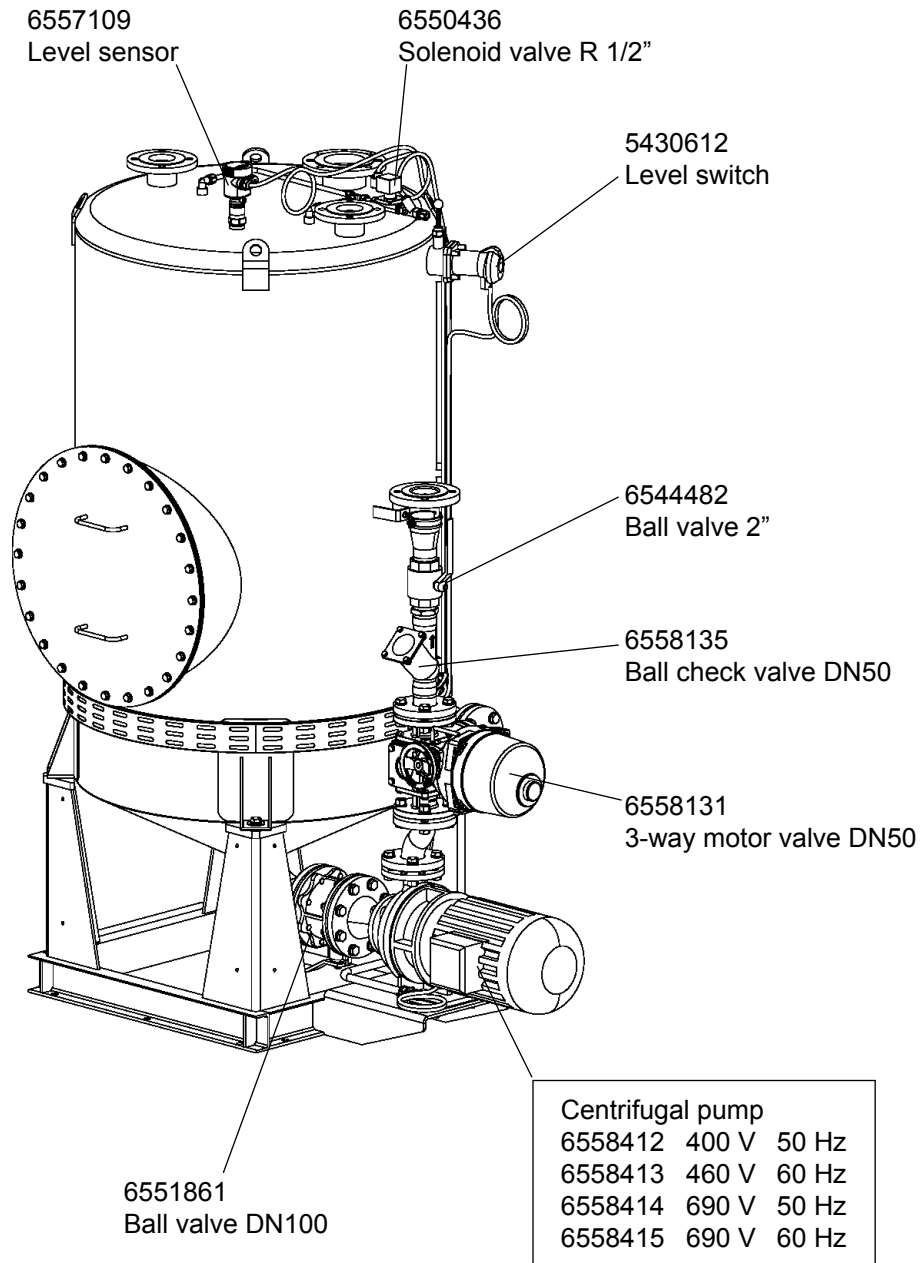
4. WASTE TREATMENT SOLUTIONS

4.5 FOOD WASTE HANDLING SYSTEMS

EVAC FOOD WASTE TANK

[Spare parts](#)

- 6558116 FOOD WASTE TANK 1 m³
- 6558117 FOOD WASTE TANK 2 m³
- 6558118 FOOD WASTE TANK 3.5 m³
- 6558119 FOOD WASTE TANK 5 m³



- 6558412 PUMP, 3x400 V 50 Hz**
- 6558413 PUMP, 3x460 V 60 Hz**
- 6558414 PUMP, 3x690 V 50 Hz**
- 6558415 PUMP, 3x690 V 60 Hz**

6558412 and 6558414 Pump

- 6558566 RECOMMENDED SPARE PART KIT**
- 1 x 6558350 Anti-friction bearing, drive side
 - 1 x 6558395 Anti-friction bearing, non drive side
 - 1 x 6558563 Mechanical seal
 - 1 x 6558552 Gasket

6558413 and 6558415 Pump

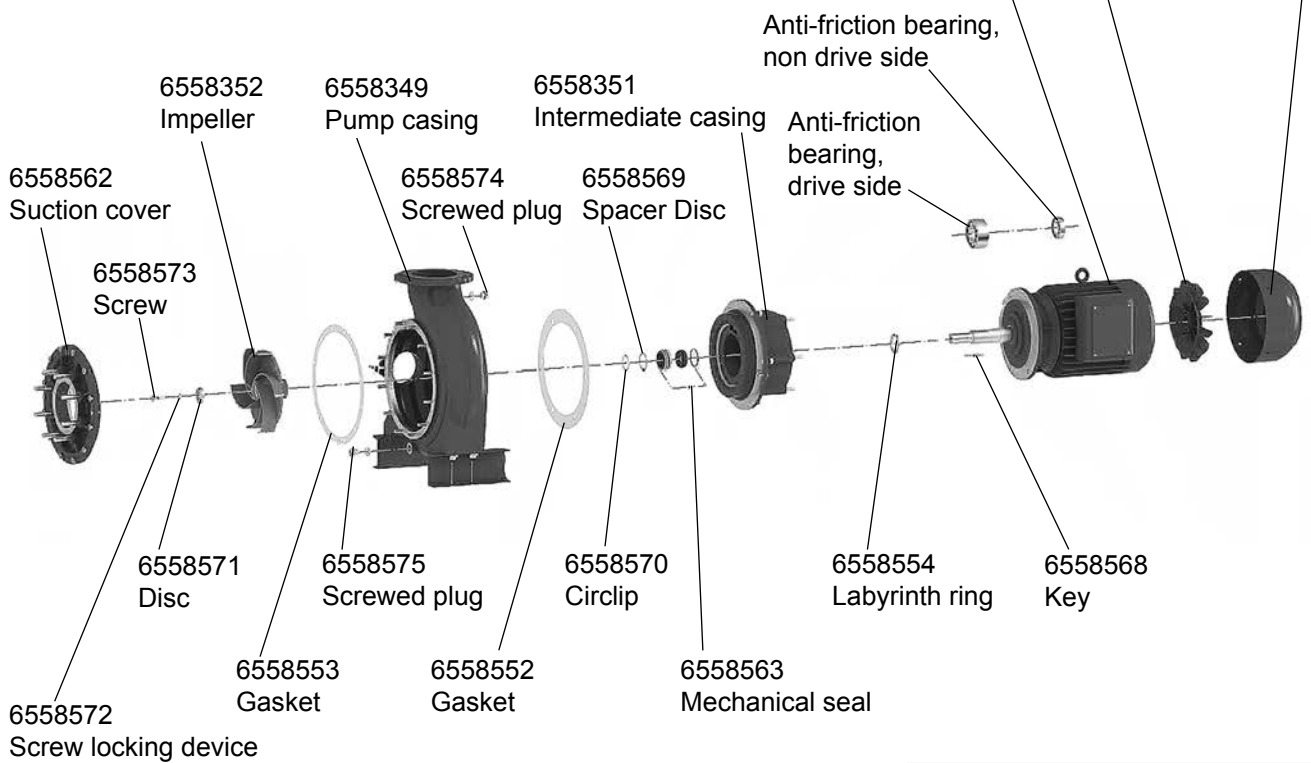
- 6558567 RECOMMENDED SPARE PART KIT:**
- 1 x 6558564 Anti-friction bearing, drive side
 - 1 x 6558565 Anti-friction bearing, non drive side
 - 1 x 6558563 Mechanical seal
 - 1 x 6558552 Gasket

6558412 and 6558414 Pump

- | | | |
|------------------|---------|-----------|
| 6558558 | 6558396 | 6558397 |
| Shaft with motor | Fan | Fan cover |

6558413 and 6558415 Pump

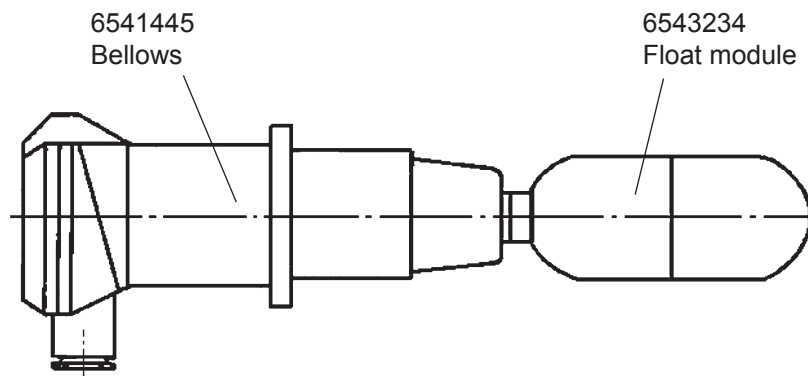
- | | | |
|------------------|---------|-----------|
| 6558559 | 6558556 | 6558555 |
| Shaft with motor | Fan | Fan cover |



Complete motors:

- | | |
|--------------------|---------------|
| P/N 6558398 | 3x400 V 50 Hz |
| P/N 6558399 | 3x460 V 60 Hz |
| P/N 6558560 | 3x690 V 50 Hz |
| P/N 6558561 | 3x690 V 60 Hz |

5430612 LEVEL SWITCH



4. WASTE TREATMENT SOLUTIONS

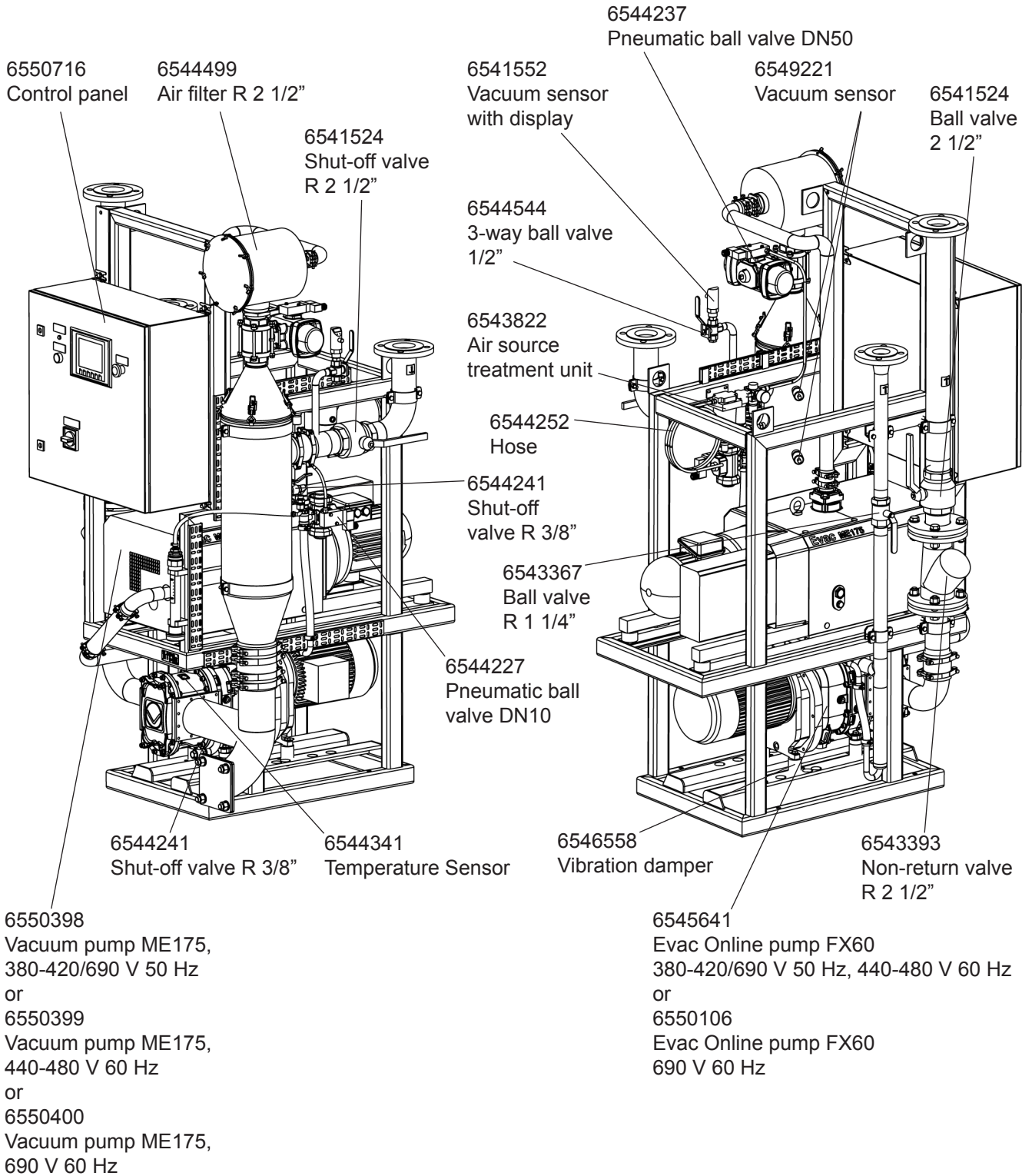
4.5 FOOD WASTE HANDLING SYSTEMS

EVAC VU175

[Spare parts](#)

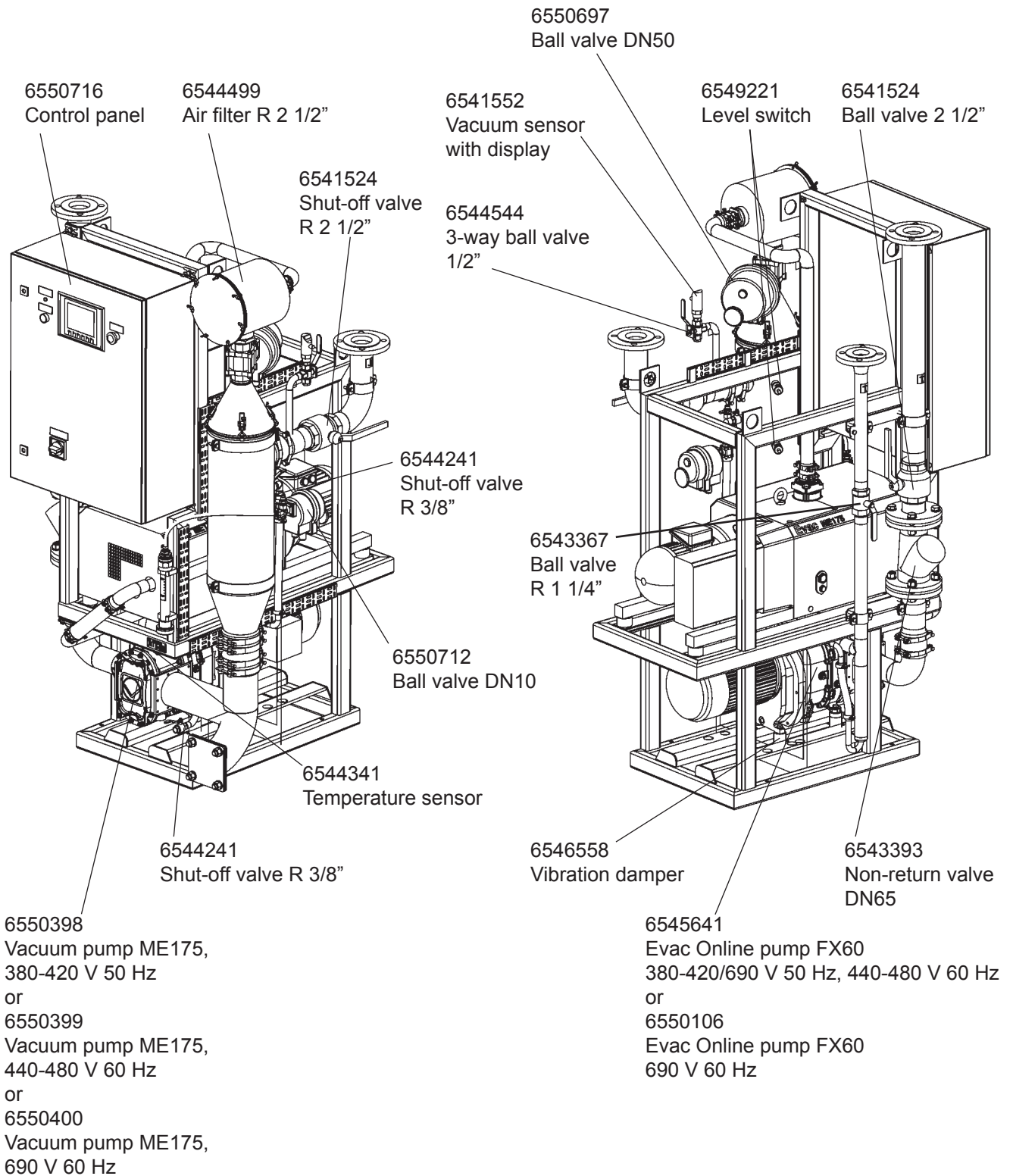
EVAC VU175

6550717 VU175P

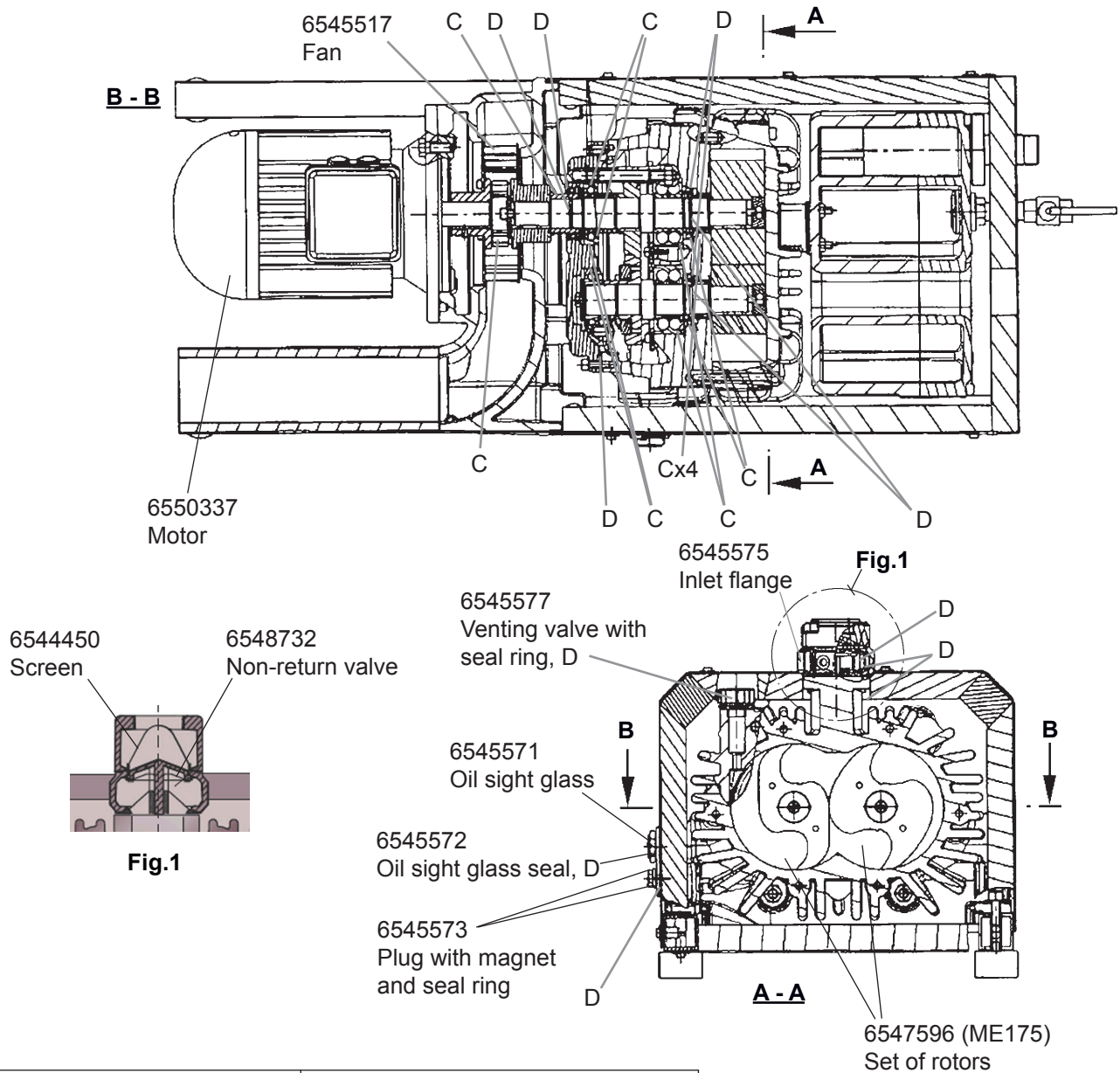


EVAC VU175

6550710 VU175E



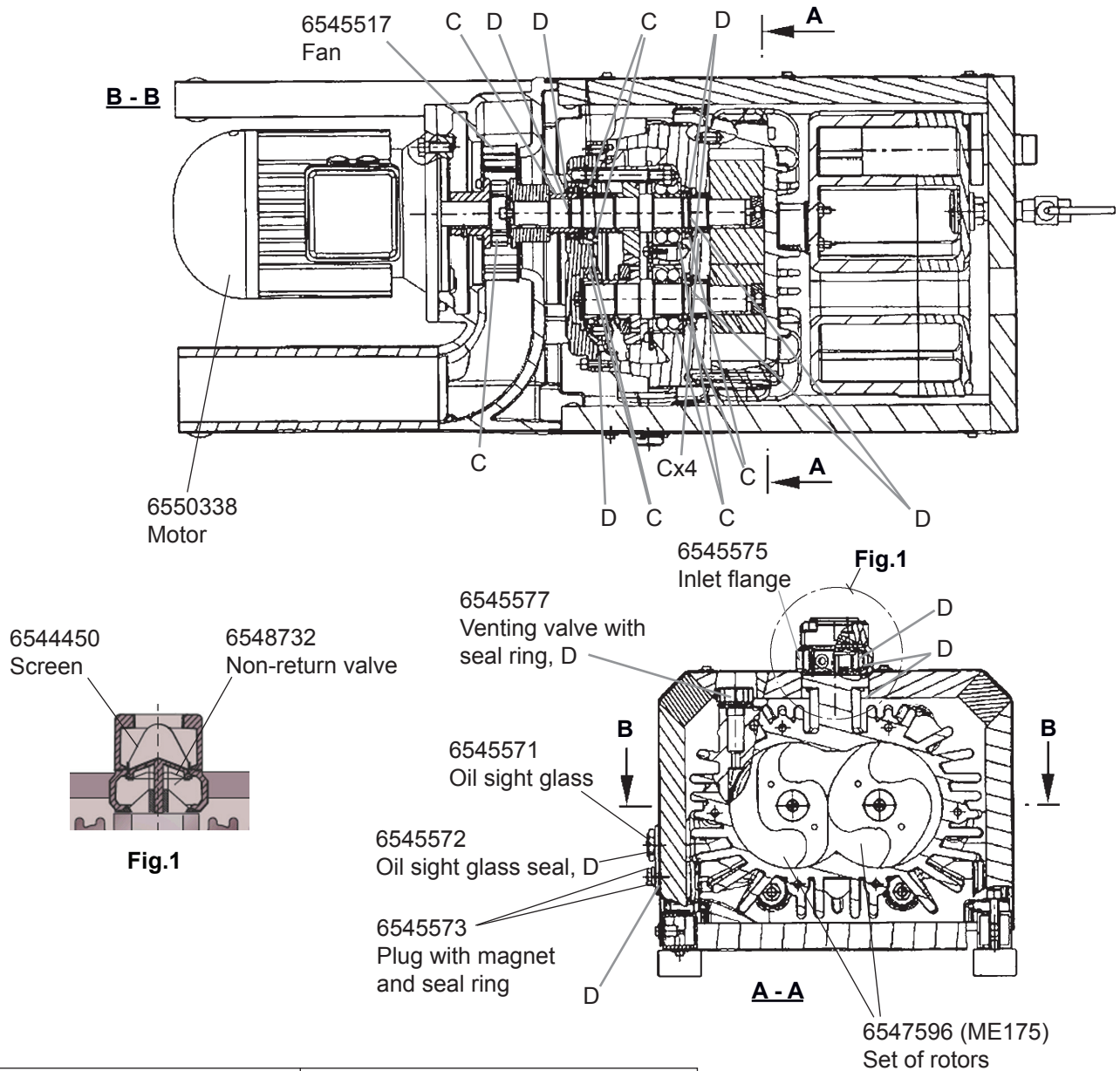
6550398 VACUUM PUMP ME175, 380-420/690 V 50 Hz



6544452 SEALING SET (mark D)		6544451 OVERHAUL KIT (includes sealing set, mark D and other parts, mark C)	
Seal 45-60-8	(x3)	Double row ball bearing	(x1)
Seal 26x31x2	(x1)	Ball bearing	(x1)
O-ring 30x2	(x3)	O-ring	(x1)
O-ring 19x2	(x1)	Collar	(x1)
O-ring 44x3	(x1)	Piston ring	(x1)
O-ring 65x3	(x2)	Retaining sleeve	(x2)
Oil sight glass seal	(x1)	Gear rim	(x1)
Venting valve R 1/2" with seal ring	(x1)	Sealing set	(x1)

! NOTE:
 When ordering spare parts please always
 quote the type and the serial no. of the
 vacuum pump.

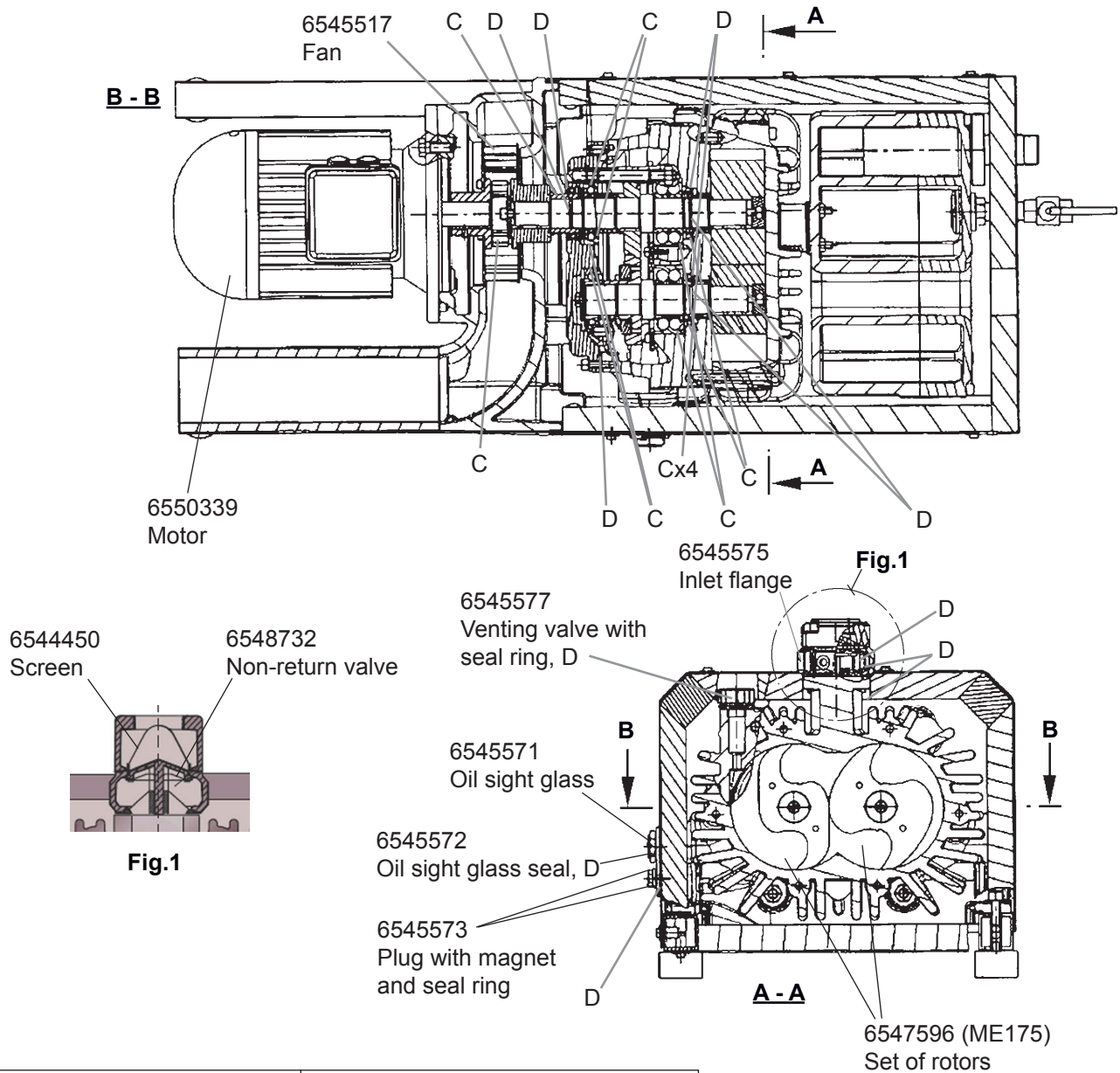
6550399 VACUUM PUMP ME175, 440-480 V 60 Hz



6544452 SEALING SET (mark D)		6544451 OVERHAUL KIT (includes sealing set, mark D and other parts, mark C)
Seal 45-60-8	(x3)	Double row ball bearing
Seal 26x31x2	(x1)	Ball bearing
O-ring 30x2	(x3)	O-ring
O-ring 19x2	(x1)	Collar
O-ring 44x3	(x1)	Piston ring
O-ring 65x3	(x2)	Retaining sleeve
Oil sight glass seal	(x1)	Gear rim
Venting valve R 1/2" with seal ring	(x1)	Sealing set

! NOTE:
 When ordering spare parts please always
 quote the type and the serial no. of the
 vacuum pump.

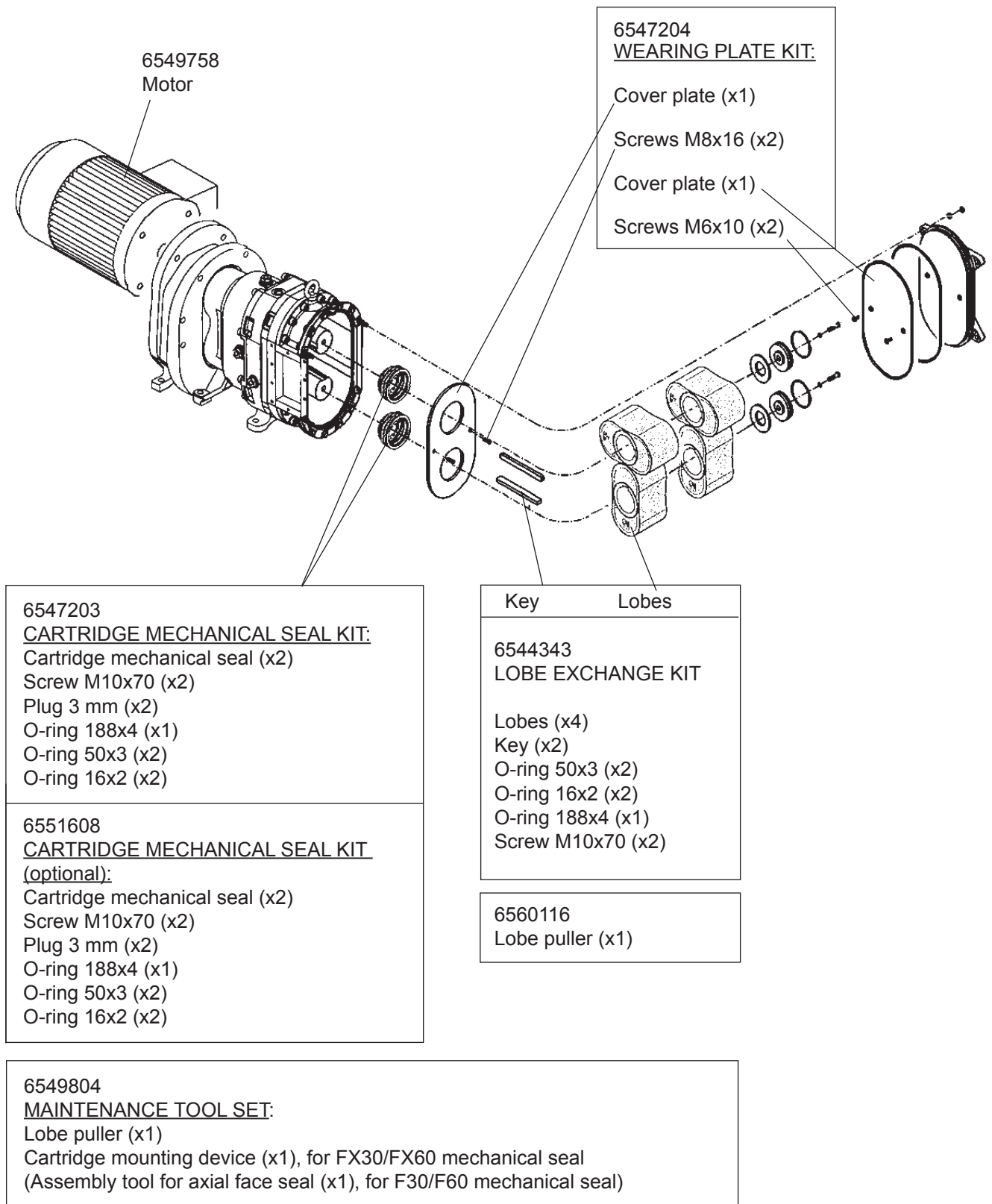
6550400 VACUUM PUMP ME175, 690 V 60 Hz

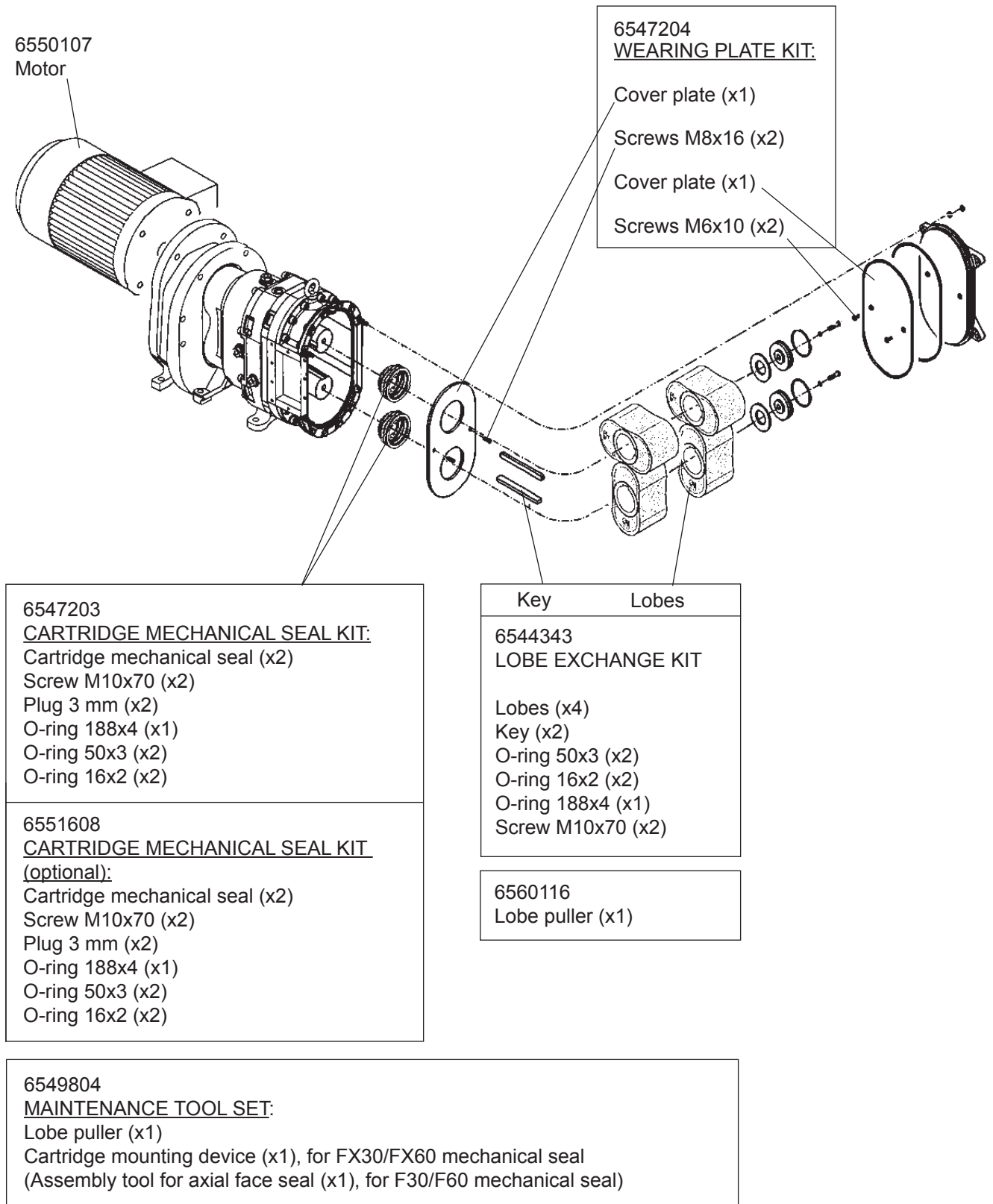


6544452 SEALING SET (mark D)		6544451 OVERHAUL KIT (includes sealing set, mark D and other parts, mark C)
Seal 45-60-8	(x3)	Double row ball bearing
Seal 26x31x2	(x1)	Ball bearing
O-ring 30x2	(x3)	O-ring
O-ring 19x2	(x1)	Collar
O-ring 44x3	(x1)	Piston ring
O-ring 65x3	(x2)	Retaining sleeve
Oil sight glass seal	(x1)	Gear rim
Venting valve R 1/2" with seal ring	(x1)	Sealing set

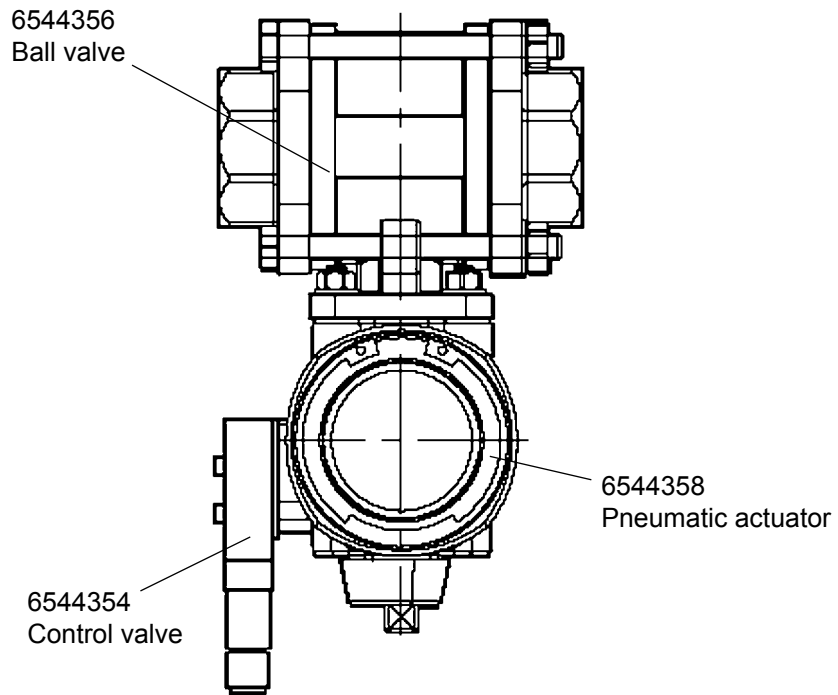
! NOTE:
 When ordering spare parts please always
 quote the type and the serial no. of the
 vacuum pump.

6545641 EVAC ONLINE PUMP FX60, 400/690 V 50 Hz, 460 V 60 Hz

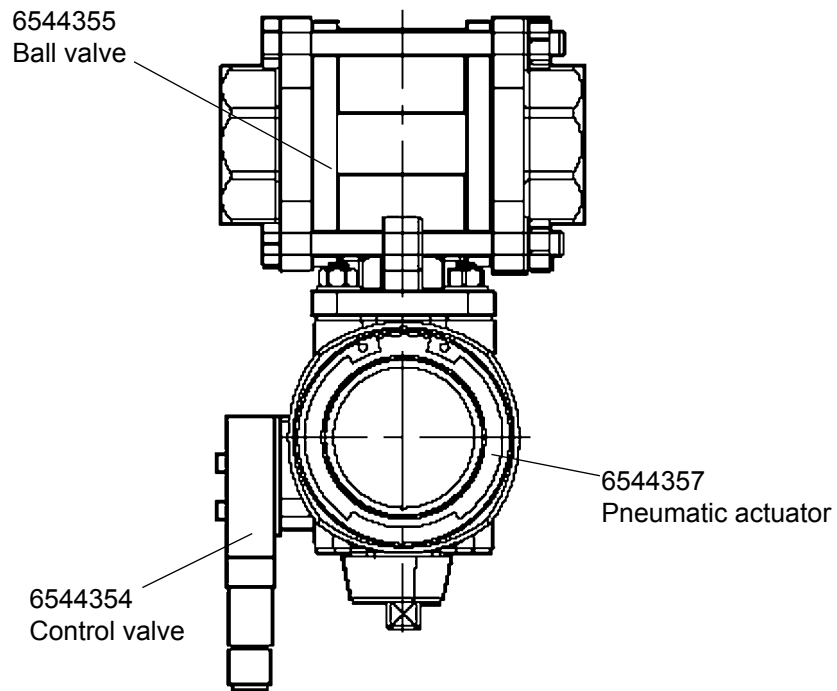


6550106 EVAC ONLINE PUMP FX60, 690 V 60 Hz


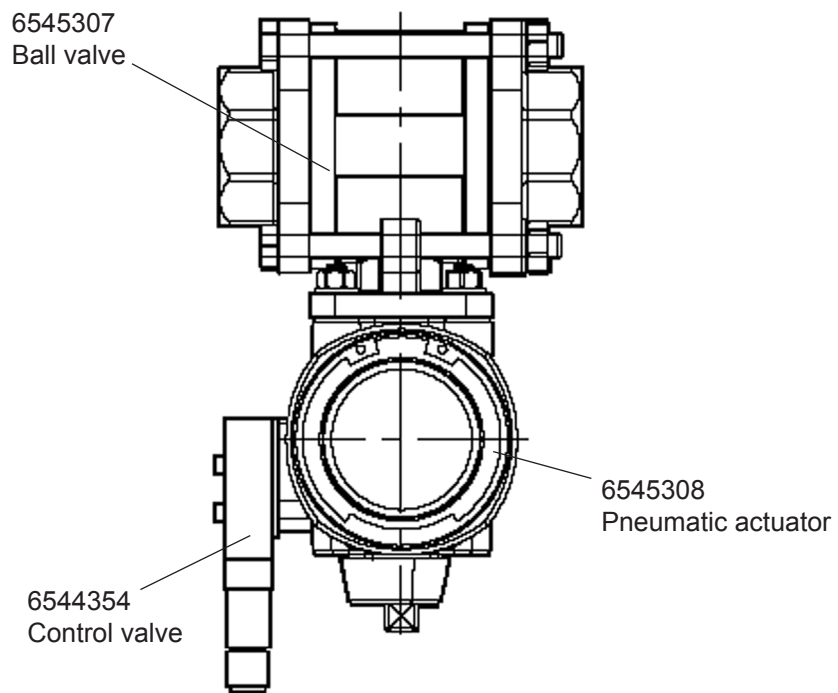
6544227 PNEUMATIC BALL VALVE DN10



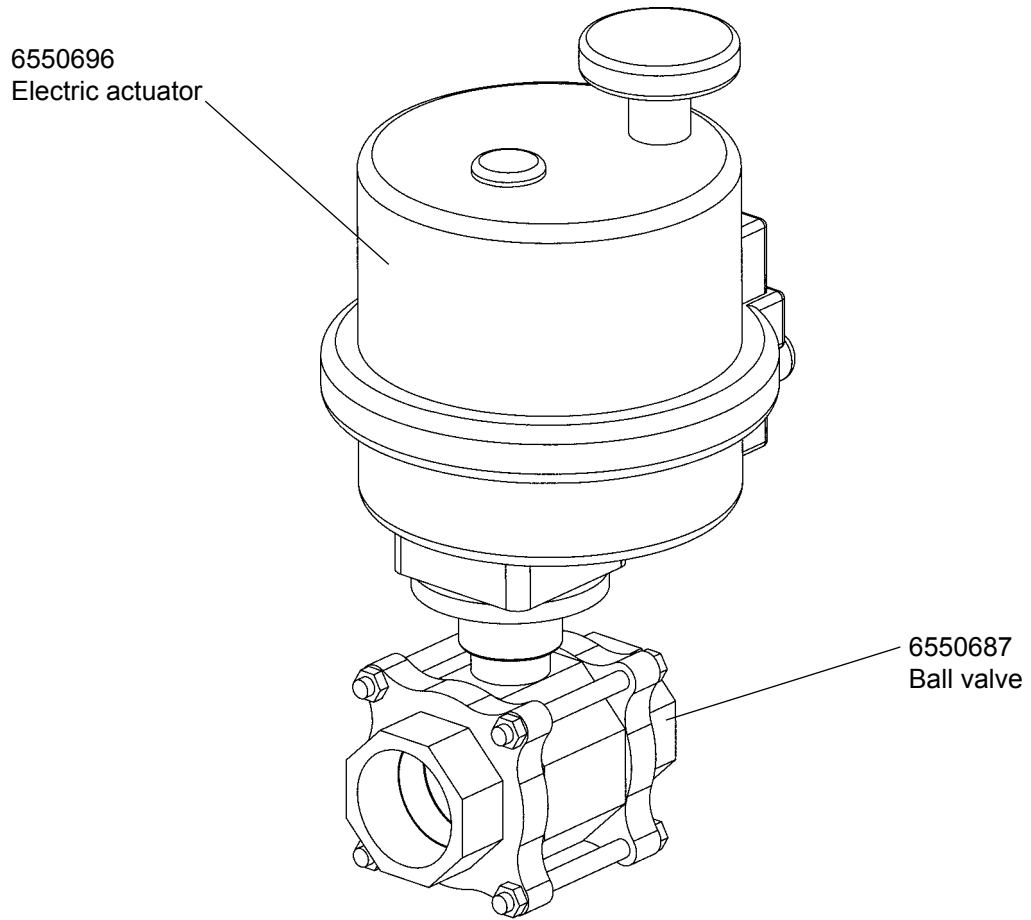
6544236 PNEUMATIC BALL VALVE DN32



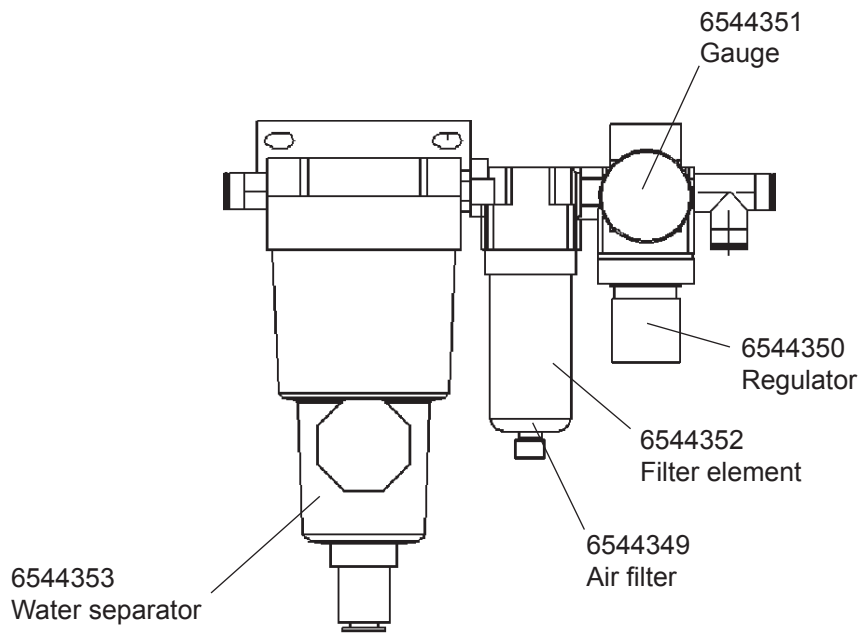
6544237 PNEUMATIC BALL VALVE DN50



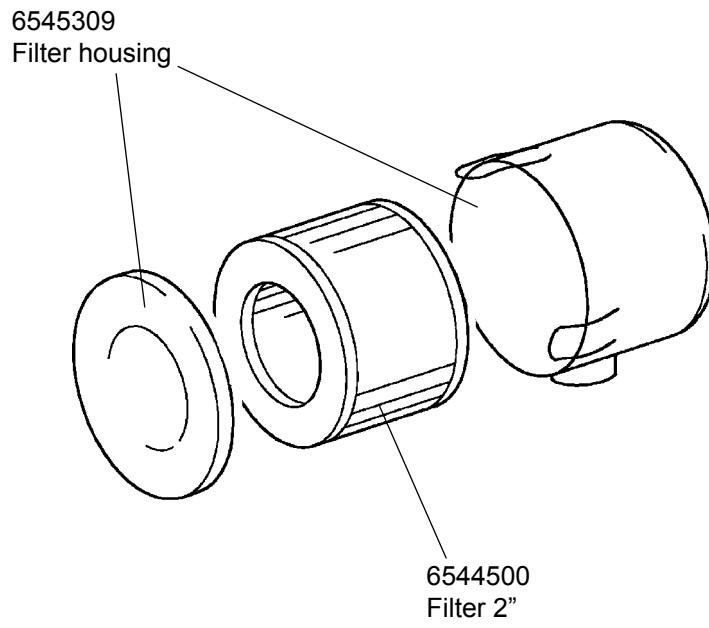
6550712 ELECTRIC BALL VALVE DN10, 24 V DC



6543822 AIR SOURCE TREATMENT UNIT



6544499 AIR FILTER COMPLETE 2"



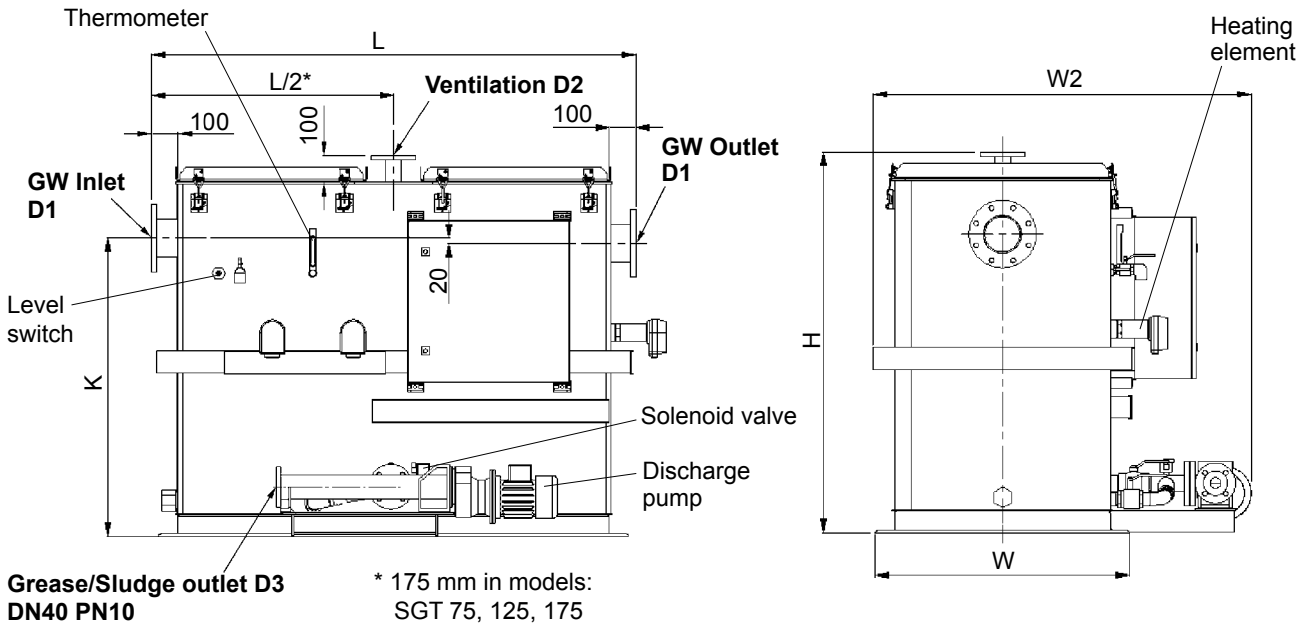
5. STANDARD GREASE SEPARATORS

STANDARD GREASE SEPARATORS, AUTOMATIC

[Spare parts](#)

GREASE SEPARATORS

STANDARD GREASE SEPARATORS, AUTOMATIC (SGT)



Tolerances: EN ISO 13920-CH

Capacity

Type	P/N	Nominal size NS	Grease storing volume m ³	Total tank volume m ³	Weight, dry kg	Weight, wet kg
SGT 75 **	6547025	0.5	0.035	0.190	110	270
SGT 125	6543249	1	0.050	0.340	290	560
SGT 175	6543890	1.5	0.070	0.530	350	780
SGT 250	6543175	2	0.100	0.780	425	1010
SGT 500	6543555	4	0.200	1.570	730	1895
SGT 750	6542347	7	0.300	2.460	980	2860
SGT 1000	6547176	10	0.400	3.400	1100	3560

Dimensions

Type	P/N	L	W	H	K	W2	D1 (PN10)	D2 (PN10)
SGT 75 **	6547025	820	350	1070	870	680	DN80	DN32
SGT 125	6543249	940	540	1190	970	1020	DN80	DN32
SGT 175	6543890	1150	590	1285	1025	1100	DN80	DN40
SGT 250	6543175	1300	690	1355	1050	1200	DN100	DN100
SGT 500	6543555	1800	945	1410	1105	1400	DN125	DN125
SGT 750	6542347	2200	1140	1430	1110	1600	DN125	DN125
SGT 1000	6547176	2400	1345	1470	1140	1800	DN125	DN125

** No automation, only heating element with thermostat and hand pump for discharge.

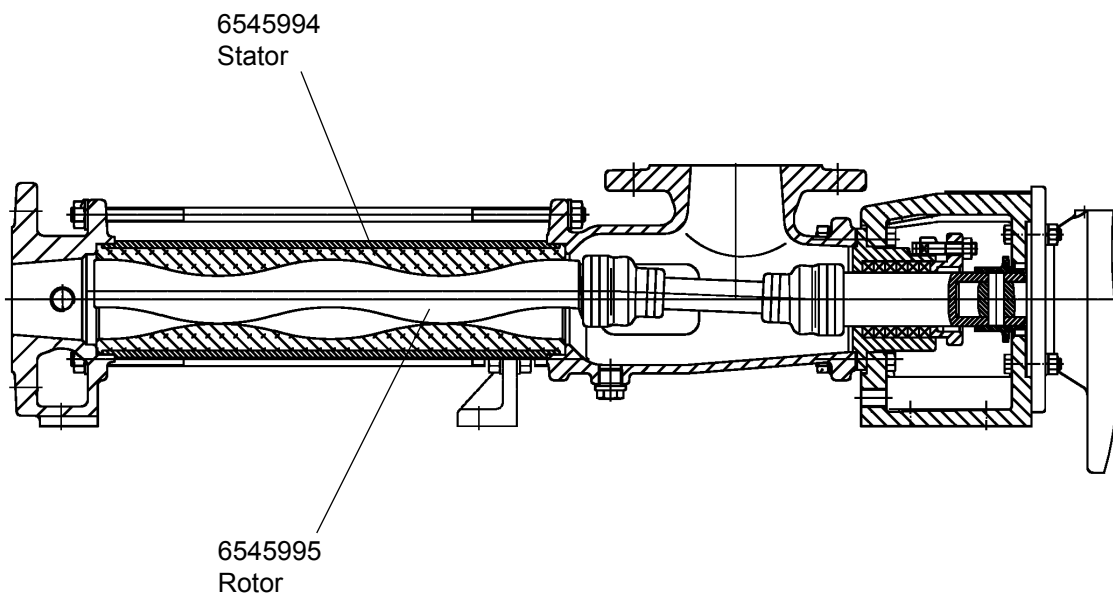
Materials: EN S235JR

Fixing to base: Welded or bolted to steel structure

! NOTE: Other non-standard sizes available on special request. Please consult EVAC.

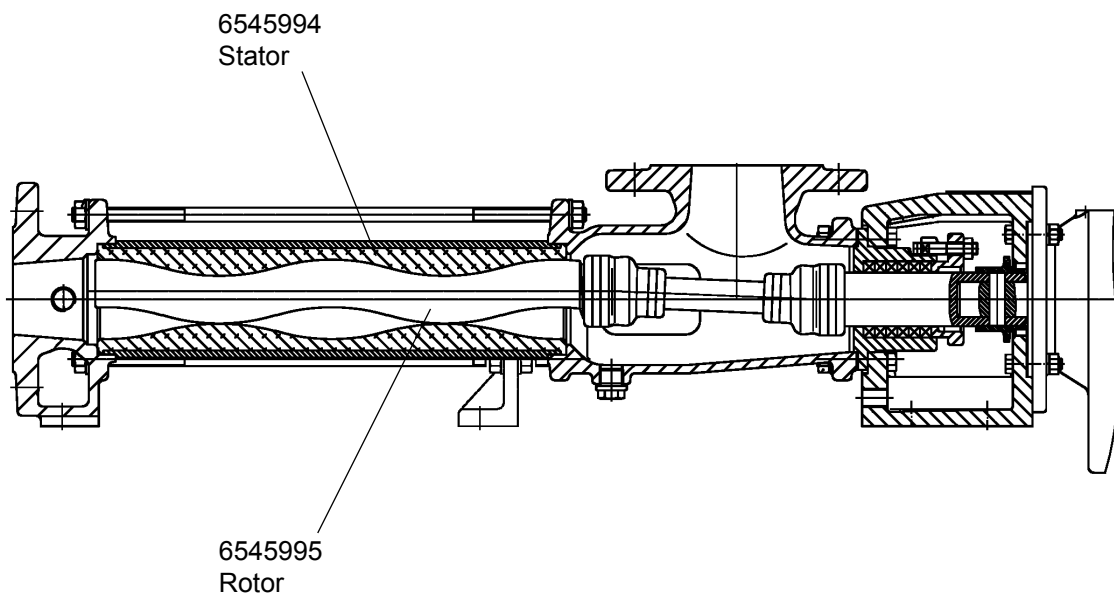
GREASE SEPARATORS

6542852 DISCHARGE PUMP



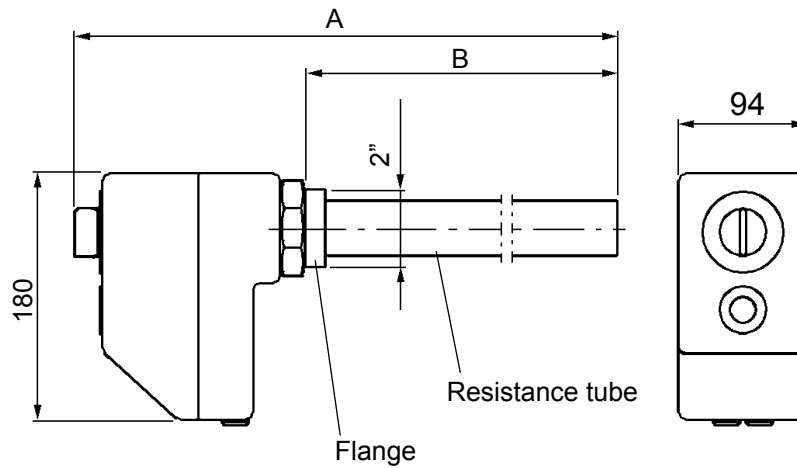
GREASE SEPARATORS

6545255 DISCHARGE PUMP



GREASE SEPARATORS

6552204 HEATING ELEMENT 1500 W
 6552503 HEATING ELEMENT 3000 W
 6552206 HEATING ELEMENT 6000 W



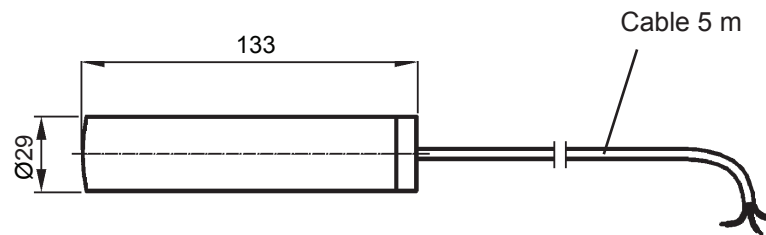
P/N	A	B
6552204	358	190
6552503	428	260
6552206	638	470

Materials

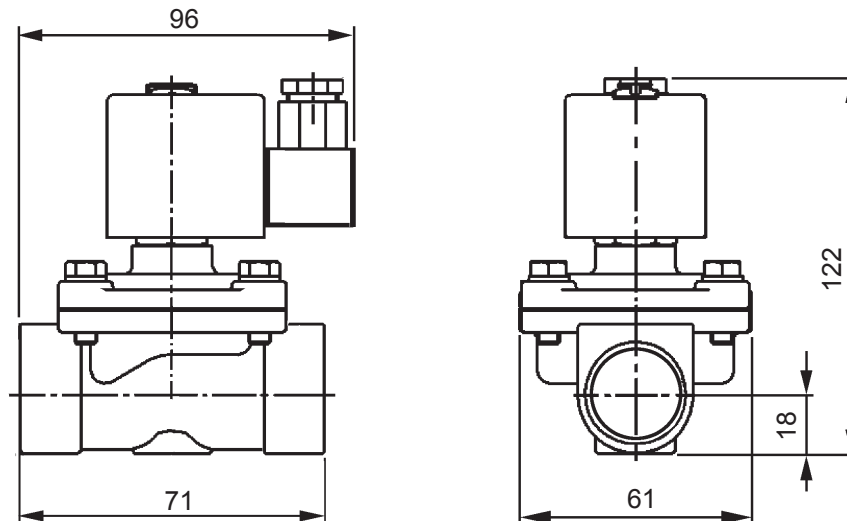
Box: Silumin
 Lid: Carbonate
 Flange: Brass
 Resistance tube: Acid proof steel (AISI 316)

Electrical data

Voltage: 380-480 V
 Protection class: IP54

6547369 LEVEL SWITCH

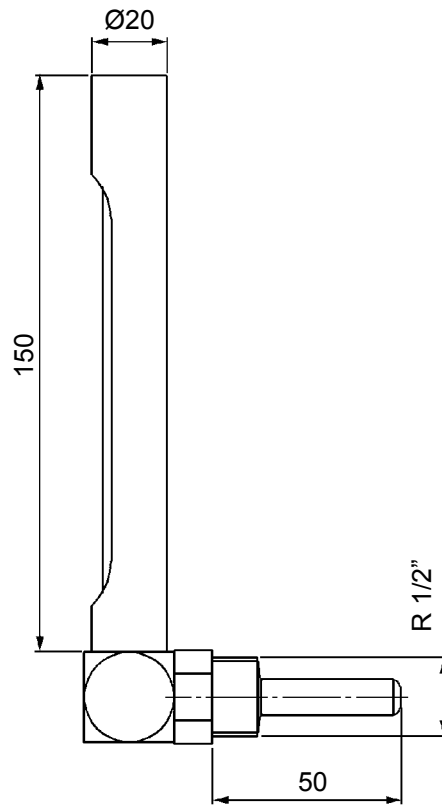
Materials	Level switch: Polypropylene Cable: RYFLEX
Operating data	Max. operating pressure: 1 bar (+20°C) Operating temperature: +8°C ... +60°C
Electrical data	Voltage: 24 V =/~ ... 250 V =/~ Nominal power: Max. 350 W Current: 0.2 A ~ ... 3 A ~ Protection class: IP68

6540349 SOLENOID VALVE 1/2"

Materials	Body: Brass Core, springs: Stainless steel Sealing, diaphragm and disc: NBR
Operation data	Temperature range: -20°C to +85°C Max. viscosity: 65 mm ² /s Response time: 15 - 120 ms Max. operating pressure differential: 3 bar
Electrical data	Voltage: 230 V AC Protection class: IP65
Connections	Rp 1/2"
Shipping data	Net weight: 1.0 kg

GREASE SEPARATORS

6540904 THERMOMETER



Materials	Body: Brass Meter: Glass
Operating data	Temperature range: 0 to +130°C
Connection	R 1/2"
Weight	0.5 kg

6. OTHER PRODUCTS

URINALS AND VALVES

URINALS			
<p>Porcelain urinal with autoflush</p>	<p>Porcelain urinal</p>	<p>Stainless steel urinal</p>	<p>Flushing valve</p>

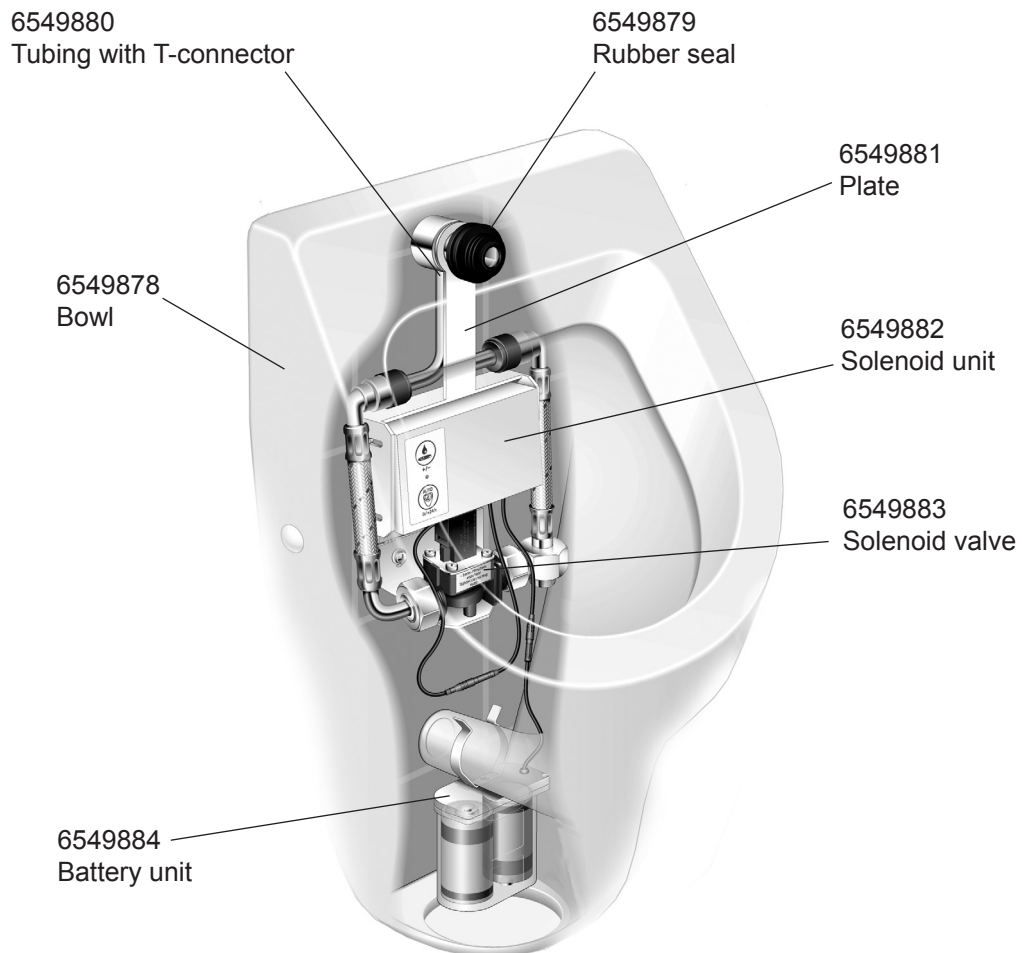
[Spare parts](#)

NON-RETURN VALVES		
<p>Non-return valve</p>	<p>EvacNoback valve</p>	
<p>Non-return valve with flanges</p>	<p>Non-return valve with threads</p>	<p>Non-return valve with pipe stud connections</p>

[Spare parts](#)

URINALS

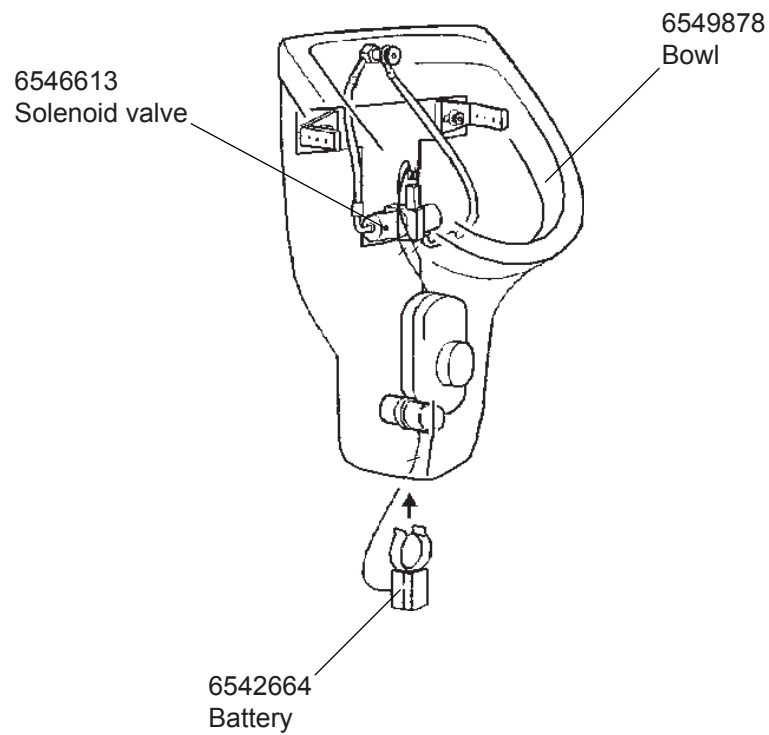
6549929 AUTOFLUSH URINAL



URINALS

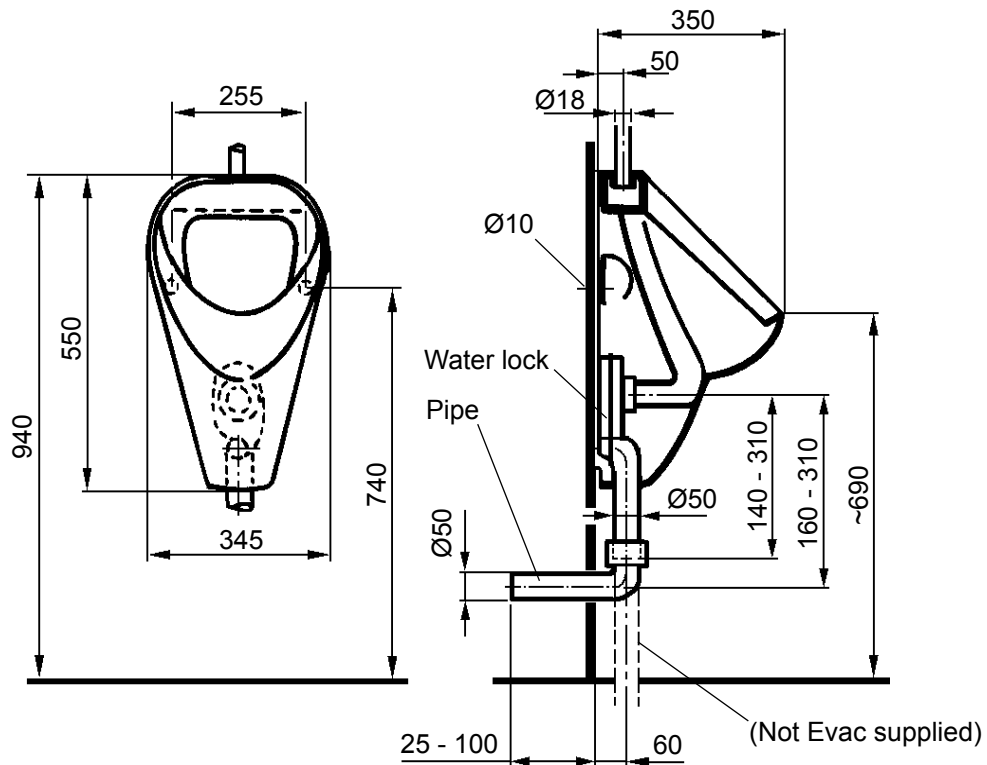
6545121 URINAL AUTOFLUSH (not sold as a single item)

P/N 6545121 is replaced by P/N 6549929



URINALS

6542707 PORCELAIN URINAL



WALL CONNECTION KIT CONSISTS OF:
 Wall plug S10 (x2)
 Wall screw M8x110 (x2)
 Nylon nut BU M8 (x2)

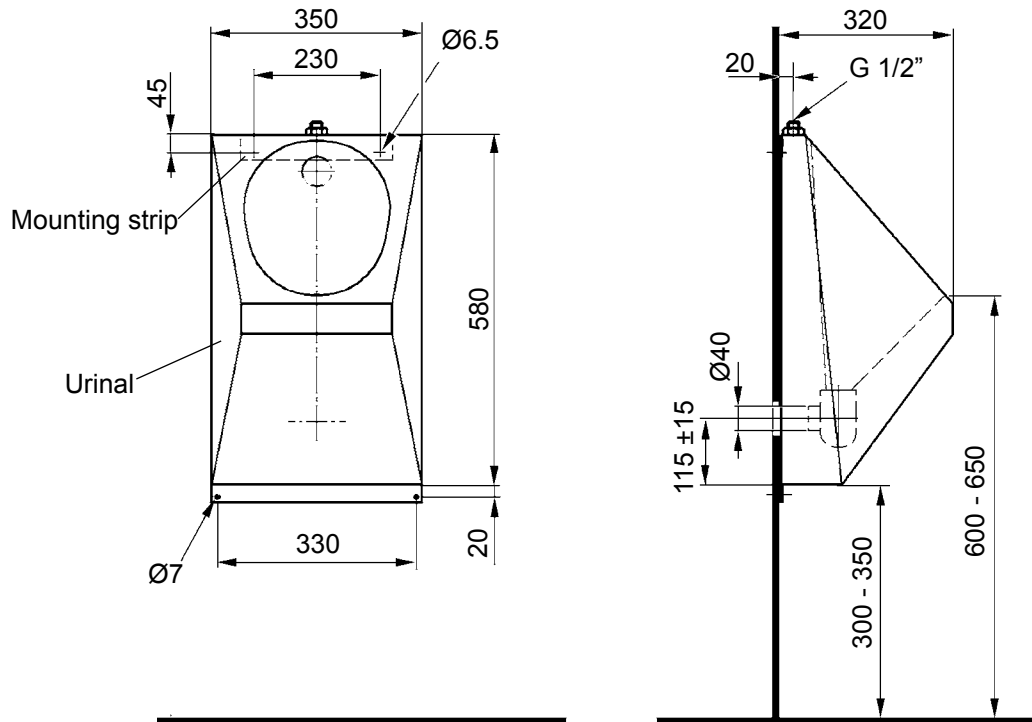
Materials Bowl: White porcelain

Connections Inlet: $\text{Ø}18$
 Outlet: 1 1/4"

Shipping data Weight: 11 kg

URINALS

5990481 WALL URINAL



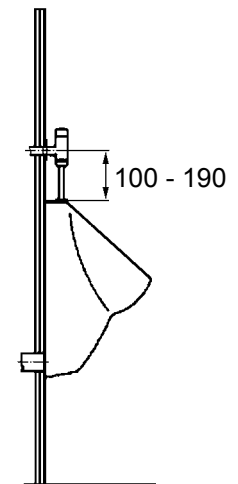
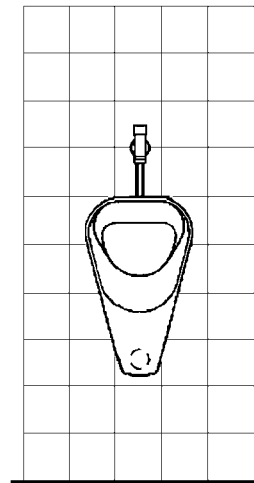
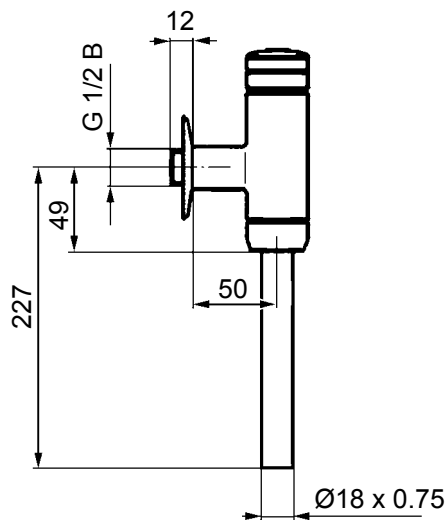
Materials Urinal: EN 1.4301

Connections Inlet: G 1/2"
Outlet: Ø40

Shipping data Net weight: 7.5 kg

URINALS

5979312 FLUSHING VALVE, DN15

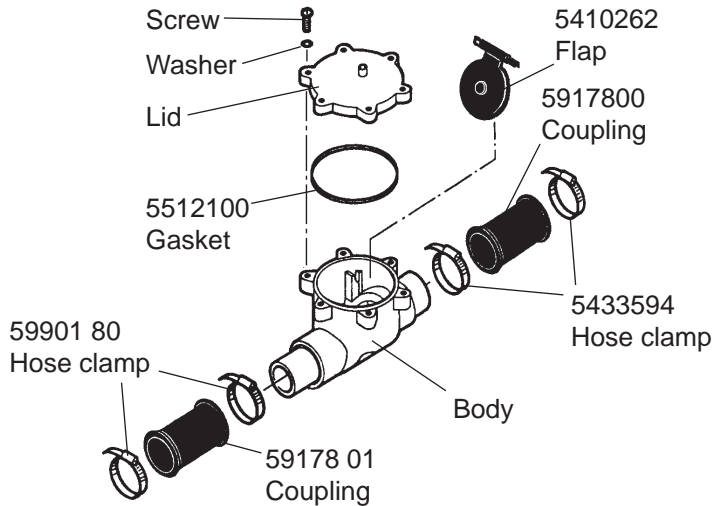


Materials	Chromium plated brass
Operation data	Water pressure: 1.0 ... 4.0 bar Water flow: 0.3 ... 0.7 l/s Water consumption: 2 - 4 litres/flush
Connections	Water supply: G 1/2" B Flushing supply: Ø18
Mark of approval	PA-IX 3503/II
Shipping data	Net weight: 0.6 kg

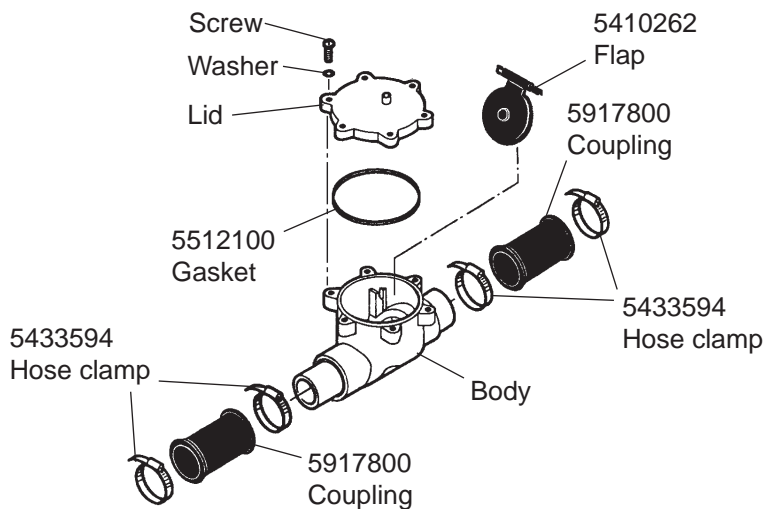
NON-RETURN VALVES

- 5509700 NON-RETURN VALVE DN50
- 5973400 NON-RETURN VALVE DN40 - DN50
- 5973401 NON-RETURN VALVE DN40 - DN40
- 5973402 NON-RETURN VALVE DN50 - DN50

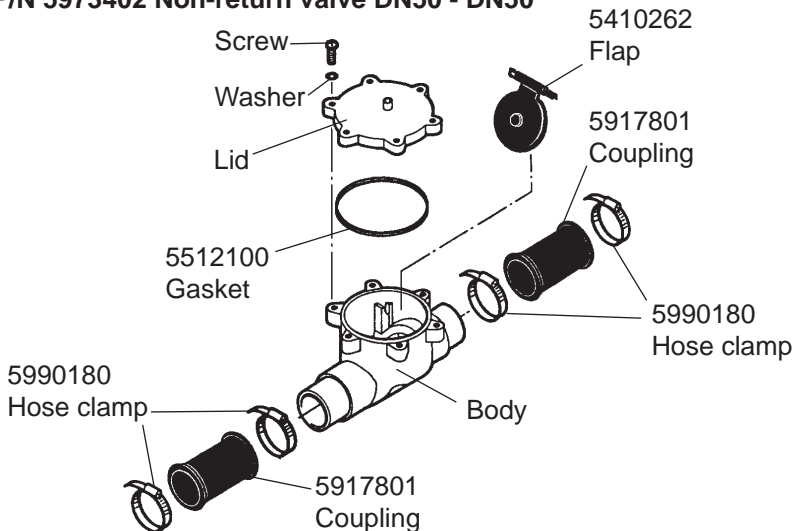
P/N 5973400 Non-return valve DN40 - DN50



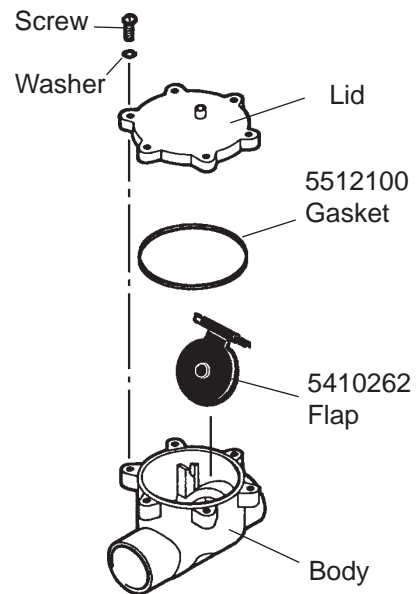
P/N 5973401 Non-return valve DN40 - DN40



P/N 5973402 Non-return valve DN50 - DN50



P/N 5509700 Non-return valve DN50

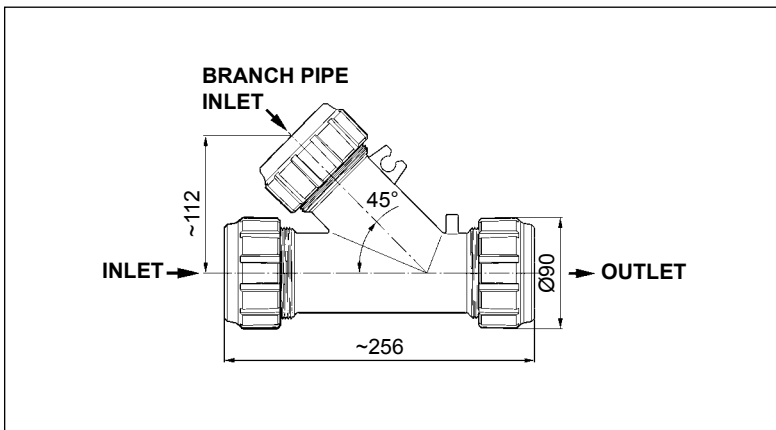


PIPING

6543063 EVACNOBACK VALVE

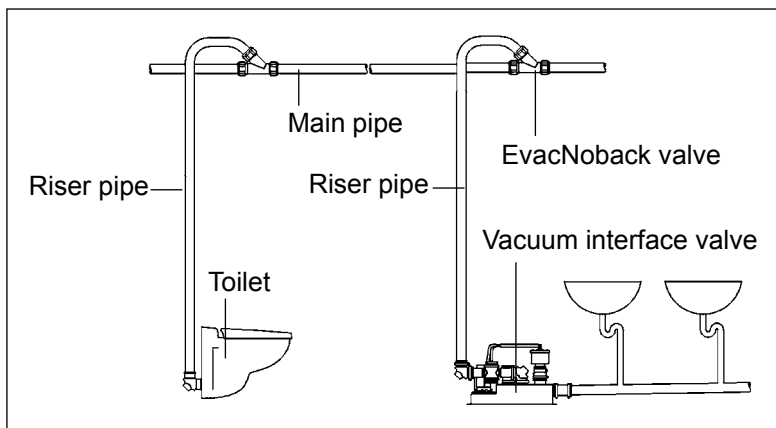
EvacNoback valve P/N 6543063

- prevents back flows and improves vacuum system operations •

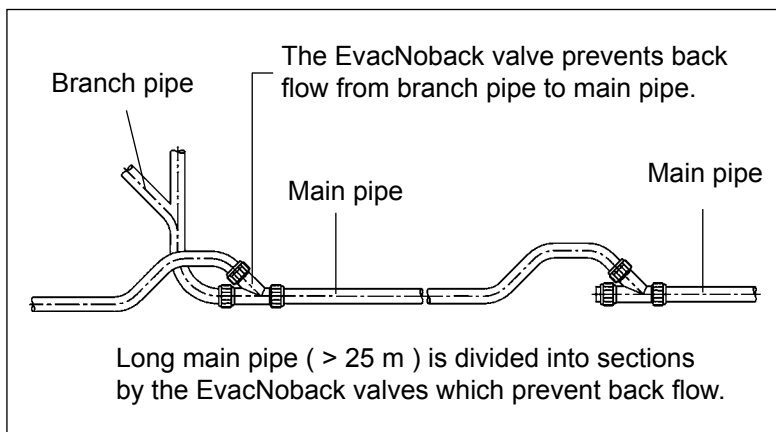


- compact size
- flexible to install
- fits to most pipe sizes with adapters
can be tilted 45° to save installation space

Recommended installation places for the EvacNoback valve



- every toilet with riser
- every vacuum interface valve with riser



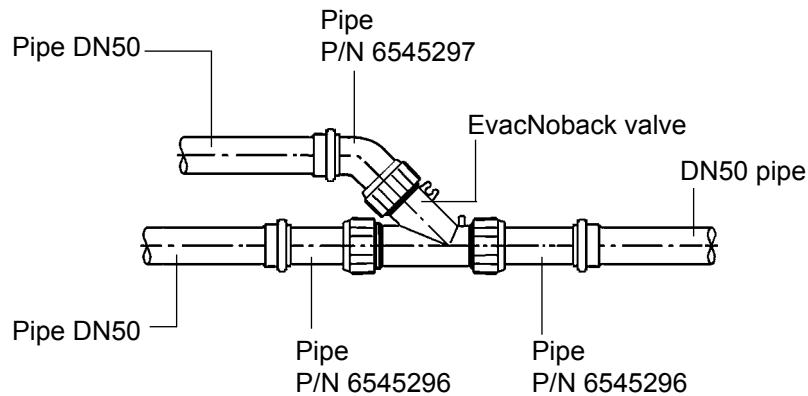
- in long horizontal branch pipes and main pipes there is a risk of back flow (during rolling, pitching or trimming of ship)

PIPING

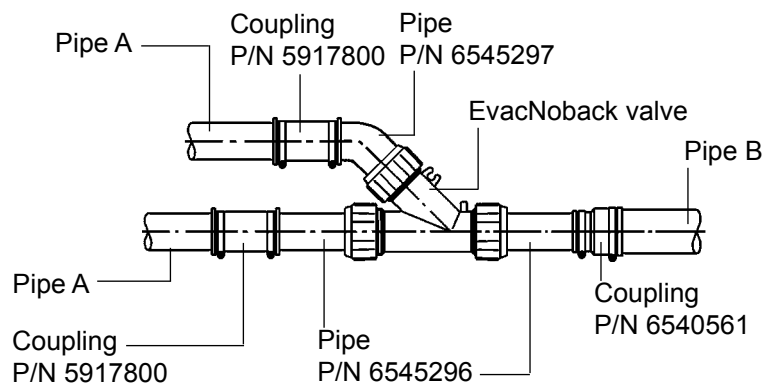
6543063 EVACNOBACK VALVE

Installation options

Blücher or ACO DN50 pipes:
(example)



Other pipes with rubber couplings:
(example)



Pipe	Outside diameter (mm)	Coupling P/N
A	48.3	5917800
	50	
	53	
B	63	6540561
	60.3	

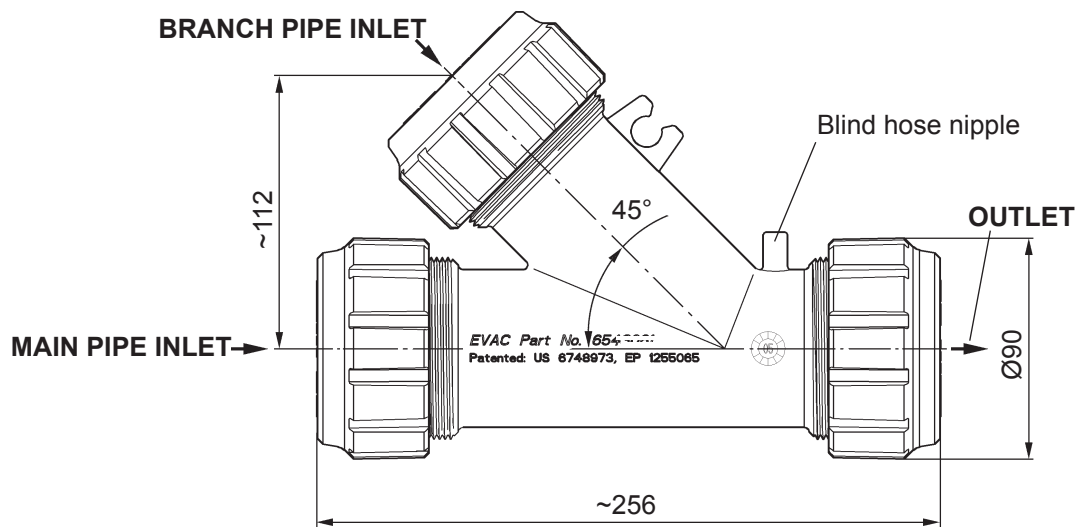
! Note: P/N 6545297 and P/N 6545296 are Blücher/ ACO standard parts.

better system reliability in marine environments

NON-RETURN VALVES

6543063 EVACNOBACK VALVE

Patented: EP 1255065, US 6748973

**Materials**

Valve body: PP
Nut: PP
Rubber valve hose: EPDM
O-ring: EPDM

Connection

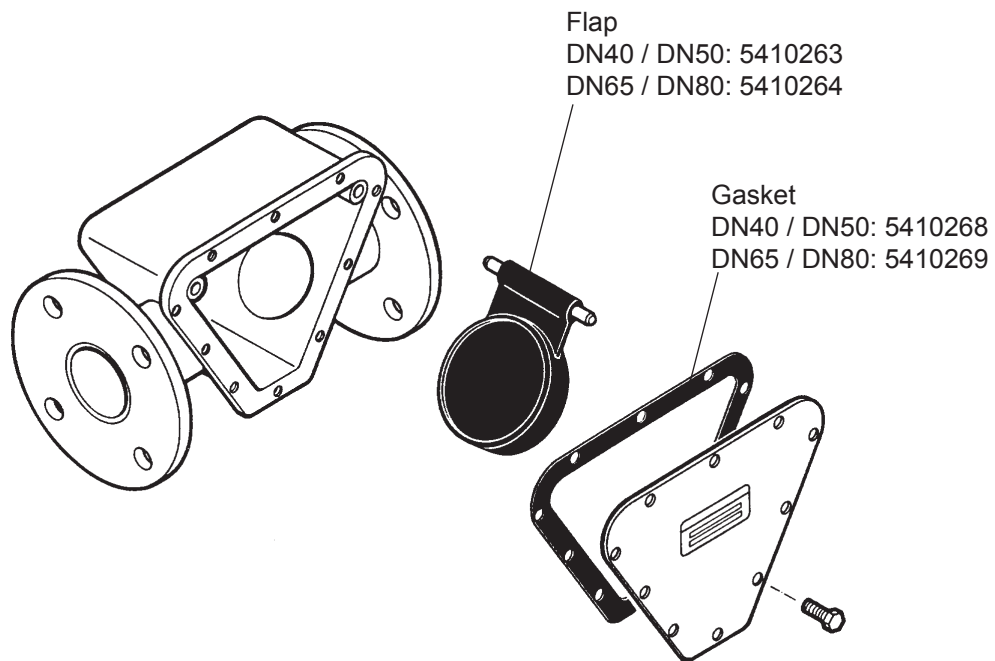
Inlets and outlets are for steel pipes Blücher/Europipe D 50 and Aco D 50

Shipping data

Net weight: 0.550 kg
Shipping weight: 0.7 kg
Shipping volume: 0.009 m³

NON-RETURN VALVES

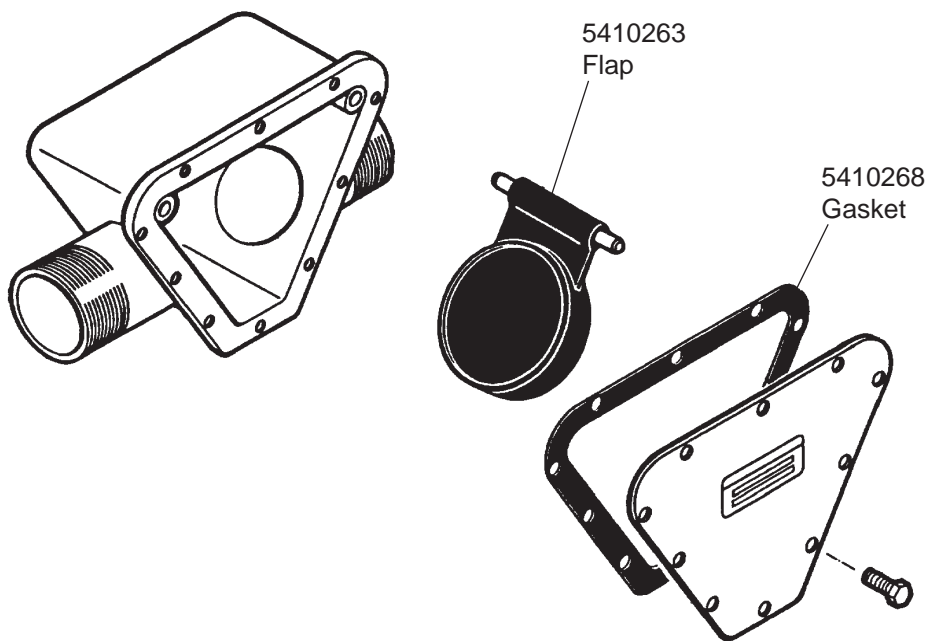
- 5410219 NON-RETURN VALVE WITH FLANGES DN40
- 5410220 NON-RETURN VALVE WITH FLANGES DN50
- 5410221 NON-RETURN VALVE WITH FLANGES DN65
- 5410222 NON-RETURN VALVE WITH FLANGES DN80



NON-RETURN VALVES

5430330 NON-RETURN VALVE DN40 WITH THREADS

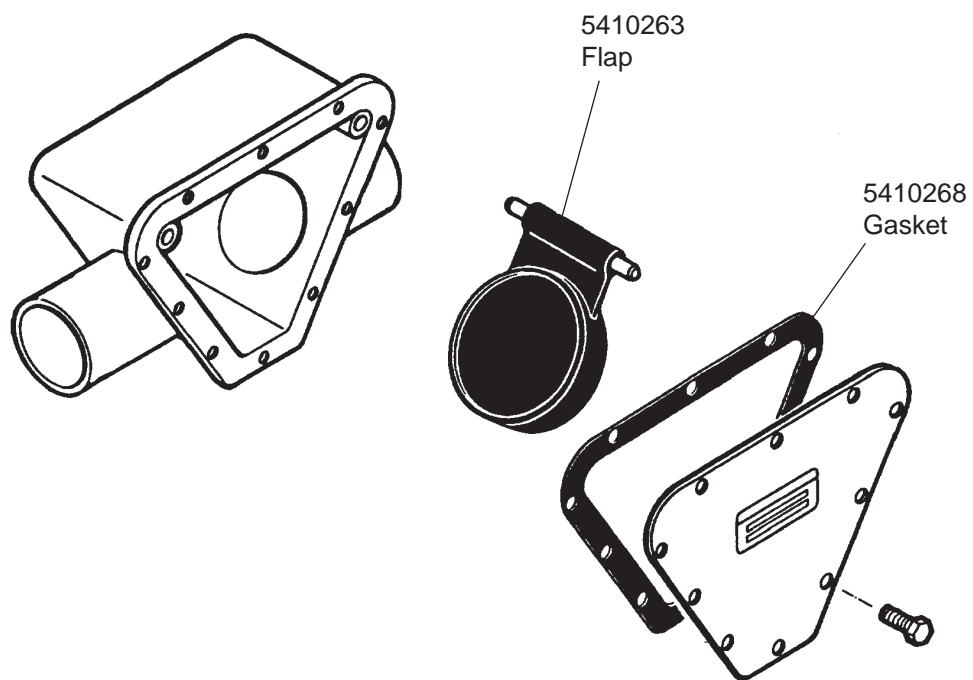
5430333 NON-RETURN VALVE DN50 WITH THREADS



NON-RETURN VALVE

5430337 NON-RETURN VALVE DN50 WITH PIPE STUD CONNECTIONS

5430338 NON-RETURN VALVE DN40 WITH PIPE STUD CONNECTIONS



TECHNICAL SERVICES





TECHNICAL SERVICES

Dear customer

If you need services onboard please send your specific quotation request by
evac.spareparts@evac.com

or

If you need technical assistance concerning Evac products please contact us by
evac.technicalsupport@evac.com

Evac Oy

After Sales Support

PIPE OPERATIONS AND MAINTENANCE

OPERATION AND MAINTENANCE

CHEMICAL RESISTANCE OF MAJOR POLYMERS USED
IN EVAC COMPONENTS

CHEMICAL RESISTANCE OF MAJOR ELASTOMERS USED
IN EVAC COMPONENTS

CHEMICAL RESISTANCE OF METAL PIPES USED
IN EVAC SYSTEMS

EVAC MARINE CHEMICAL POLICY



PIPING

OPERATION AND MAINTENANCE

Table of contents	Page
1. General	2
2. Pipe cleaning	2
3. Pipe cleaning examples	3

PIPING

OPERATION AND MAINTENANCE

1. General

This document provides information on pipe operation and maintenance and should be used as advisory only. The maintenance must be carried out by qualified and authorized personnel to avoid any risks and misuses. Safety instructions must be followed while carrying out maintenance.

Follow-up of pipe condition

As sewage is an aggressive liquid and can cause corrosion, which may lead to leakages in pipes and in system components, it is recommended that the piping should be inspected 2 - 4 times per year visually through the cleaning plugs and flanges.

During inspection also check the cleanliness of the pipe. The risk of built-up deposits is most likely in horizontal pipe lines, near urinals, in places where the sewage flow is slow, and in areas with high temperatures. If any serious deposits or build-ups occur, clean the pipe with the following method: rinse the piping with a lime-removing agent, e.g. 15 - 30% phosphoric acid or similar. The agent should be poured into the toilet at the end of each main branch of piping. The acid should be allowed to work for some hours depending on the amount of built-up solids. Occasionally a piping treatment may be necessary in which toilets and other components are removed and piping plugged, and filled with a circulating chemical for 4 - 24 hours at regular intervals.

! NOTE: Before filling the piping with chemicals, check the pipes for leaks by filling them with water. Strong chemicals may be harmful to the pipes and the biological treatment plant.

! HINT: Today's camera technology (camera into vacuum piping) makes it very easy to locate problem sections in the piping and to find indications on how frequently the pipes should be cleaned.

2. Pipe cleaning

Best results will be achieved if regular cleaning procedures are adopted from the very beginning of the vessel's delivery from the yard.

Evac has developed an automatic dosing pump set (P/N 6540390) through which cleaning chemicals can be fed into the piping automatically.

Pipe cleaning with chemicals

Over time vacuum sewage piping may exhibit signs of built-up deposits. In most cases this problem may either be reduced or totally eliminated by undertaking relatively simple preventive maintenance measures. It is recommended that ships experiencing problems with build-ups adopt the following maintenance routine:

- Install automatic dosing pump sets in strategic locations of the piping.
- Pour suitable chemicals (see attached list) into each toilet at the end of each vacuum line with a build-up problem and flush the toilets.
- Initially repeat the procedure every week. Once the problem has been brought under control, repeat the treatment regularly.
- In service cases it is recommended to contact an experienced service company to solve the problem.

! NOTE: If used excessively, certain chemicals may degrade the performance of some biological treatment plants. Local regulations must be adhered to when handling some of the listed chemicals.

PIPING

OPERATION AND MAINTENANCE

RECOMMENDED PIPE CLEANING CHEMICALS

Please consult Evac Oy.
Evac item 6569701

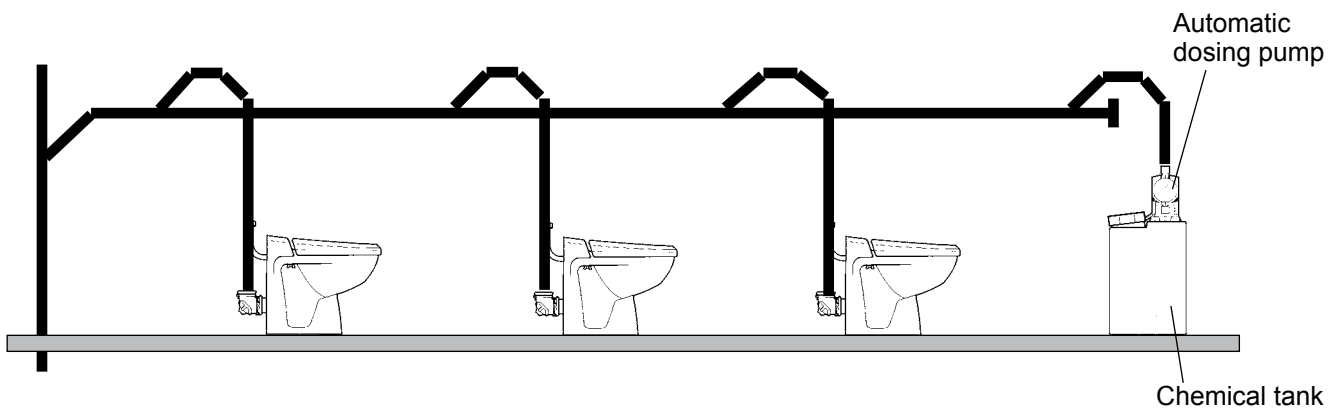
3. Pipe cleaning examples

Best results will be achieved when regular cleaning procedures are adopted from the very beginning of the vessel's delivery from the yard.

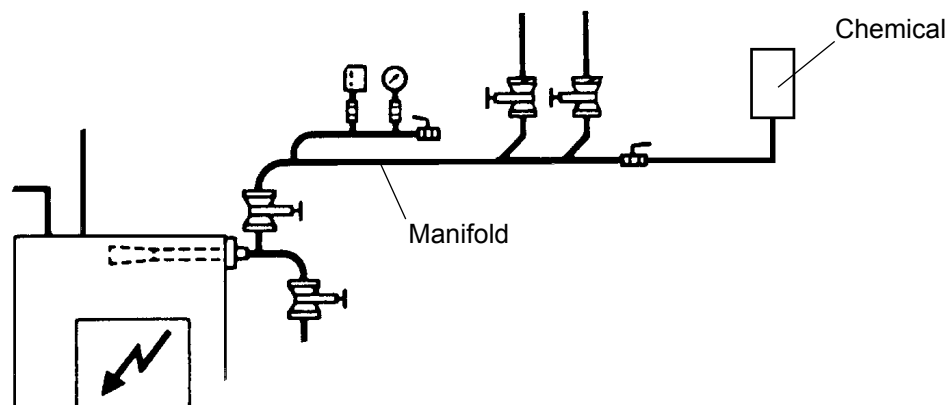
Build-ups tend to form in places such as low bends in the horizontal part of the piping, where the sewage may lie still for longer periods of time or where the flow velocity is low. Heat stimulates the build-up of deposits.

Piping cleaning, dosing method

1. Pipe cleaning is carried out by an automatic dosing unit at the end of pipe line approximately once per week.



2. It is recommended to dose the manifold and the collecting unit with chemicals, to keep the pumps and ejector valves free from deposits.



! NOTE: It is recommended to use the dosing method regularly to avoid the need of using more complicated methods.

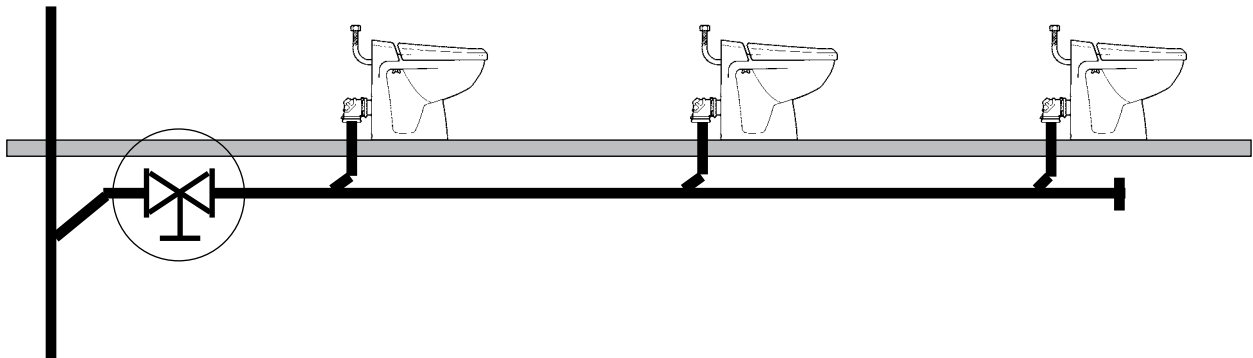
PIPING

OPERATION AND MAINTENANCE

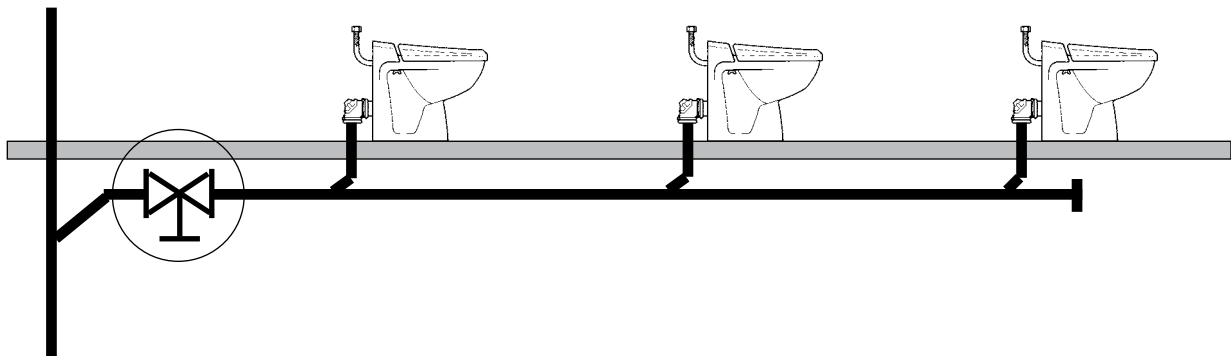
Piping cleaning, cooking method

! NOTE: Only for toilets with discharge pipes downwards.

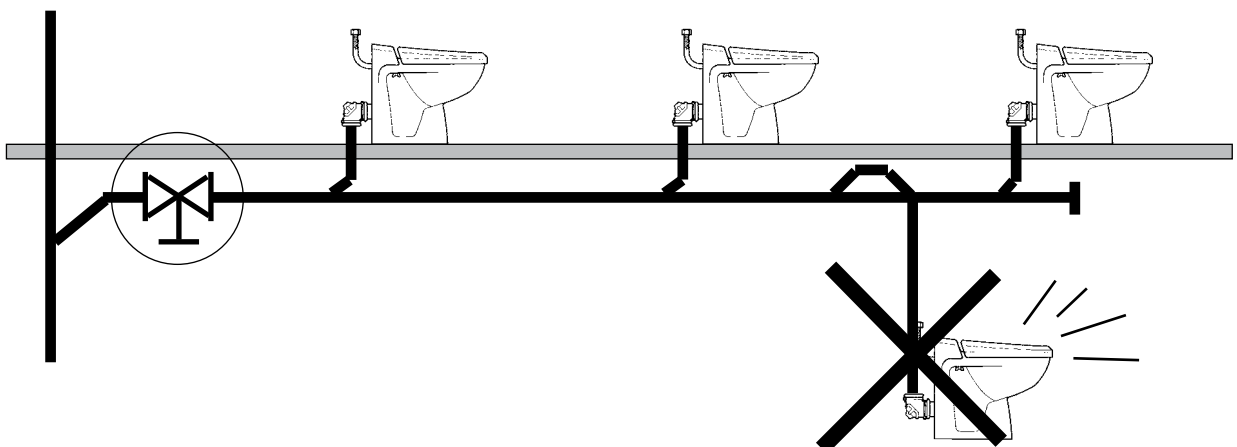
1. Estimate the volume of the piping system in order to fill the piping with the correct amount of chemical for the treatment.



2. Isolate the horizontal branch pipe undergoing treatment from the vertical main pipe with the shut-off valve.



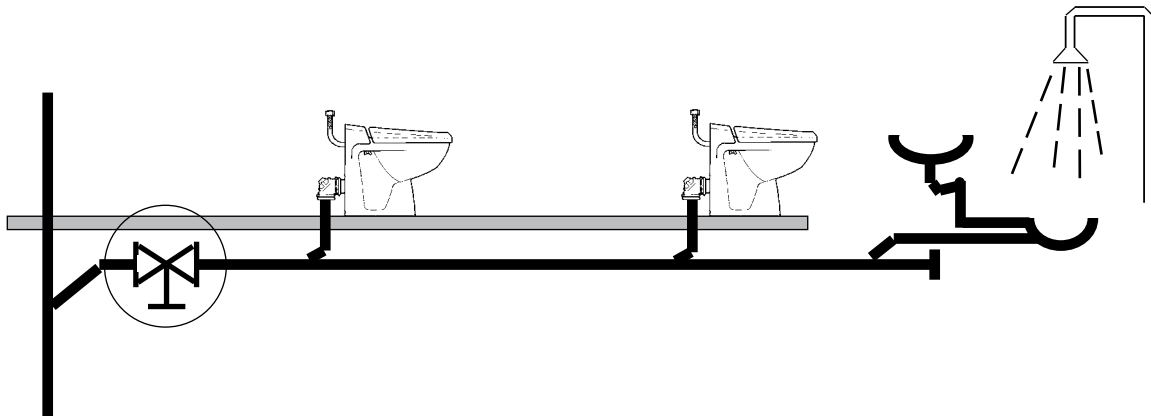
3. Check the piping drawings to be sure that there are no connections to, for instance, toilets with riser pipes. Chemical mixture may overflow through the riser toilets.



PIPING

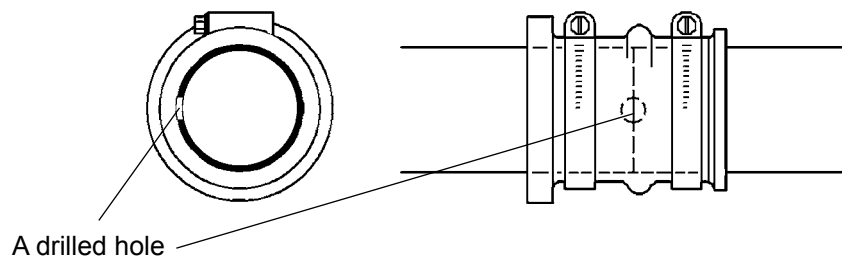
OPERATION AND MAINTENANCE

4. It is always recommended to pressure test the piping with water to ensure that there are no leaks or connections with overflow possibility before chemicals are fed into the pipe.

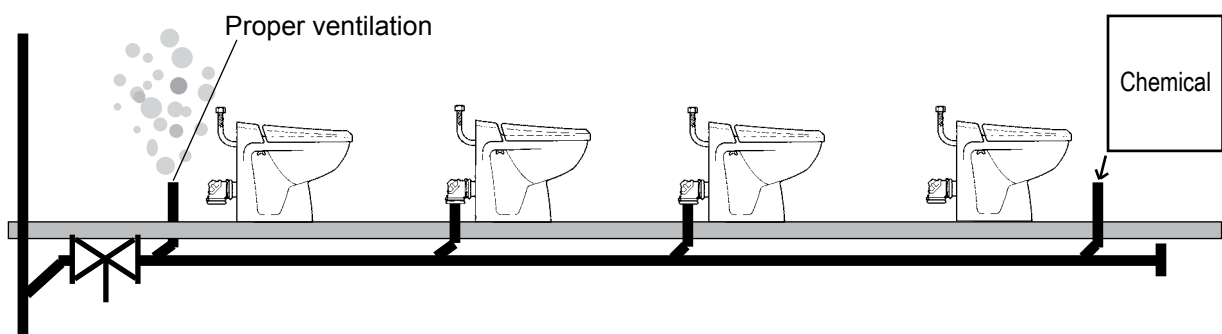


5. There can be places in the piping system where a drilled hole has been used to find the location of a pipe blockage.

Occasionally such drill holes may have been plugged inappropriately only to with stand vacuum, not pressure or chemicals. In this case there is a risk the cleaning chemical may penetrate the plugged hole and cause leakage. Such holes shall be secured properly by ordinary connectors prior to the work and pressure tested with water.



6. To ventilate the piping during chemical filling, open the vacuum piping end to the chemical feeding. It is important that the open end of the piping system is well ventilated, because the chemical cleaning process is creating toxic gases. Do not have naked flames, sparks, or any sources of fire in the vicinity of the open end of piping.



PIPING

OPERATION AND MAINTENANCE

7. Fill the branch pipe with the cleaning chemical. The reaction between the deposits and the chemical will start immediately and the “cooking process” begins.
8. During treatment, the piping can be “knocked” to dislodge the deposits from the pipe walls.
9. Normally the treatment time varies from 4 to 24 hours.
10. After treatment, flush the piping thoroughly with water starting from the toilets nearest the vertical main pipe. (If the flushing will be started from the end of the horizontal main pipe, there is a risk that the removed deposits will block the pipe). Occasionally a second treatment may be necessary.

Piping cleaning, circulation method

There are specialized companies to clean sewage pipes by circulating cleaning chemicals through the piping section. All components are first disconnected from the section pipe to be cleaned. Piping is filled with water to be sure that there are no leaks. Chemical circulation hoses are connected to the pipe to be cleaned. Chemical is circulated until the section pipe is clean.

When using cleaning chemicals always follow manufacturer’s instructions for safe use chemical and disposal.

PIPE CLEANING AND CLEANING CHEMICALS

CHEMICAL RESISTANCE OF MAJOR POLYMERS USED IN EVAC COMPONENTS

Chemicals	PP	PE	PVC	PA
Acetaldehyde	1	3	4	1
Acetamide	1	1	4	1
Acetic Acid 80%	1	4	4	4
Acetone	1	2	4	1
Acetylene	1	1	1	1
Alcohols: Amyl	2	2	1	1
Bennzyl	1	4	4	1
Butyl	1	1	1	1
Ethyl	1	2	3	1
Isopropyl	1	1	1	2
Methyl	1	1	1	1
Aluminum Sulfate	1	1	1	1
Ammonia	1	3	1	2
Ammonia Nitrate	1	-	2	4
Aniline	3	2	3	3
Anti-Freeze	4	-	1	4
Aromatic Hydrocarbons	4	3	4	-
Arsenic Acid	1	2	1	3
Barium Carbonate	1	2	1	1
Barium Sulfate	2	2	2	1
Benzaldehyde	1	1	4	3
Benzene	3	3	3	1
Benzoic Acid	3	2	1	3
Benzol	1	3	-	4
Borax	2	1	2	1
Boric Acid	1	1	1	2
Butadiene	4	4	3	1
Butane	3	3	3	1
Butylene	-	2	3	2
Calcium Sulfate	1	2	1	4
Carbon Bisulfide	3	-	4	1
Carbon Dioxide	1	3	1	1
Carbon Disulfide	4	3	4	2
Carbonic Acid	2	2	1	1
Chloric Acid	-	-	1	4
Chlorine, anhydrous	2	2	3	4
Chloroform	3	3	4	4
Chromic Acid 50%	2	1	3	4
Citric Acid	1	1	2	1
Clorox (Bleach)	4	-	1	1
Copper Sulfate	1	2	1	3
Cyanic Acid	-	-	-	-
Diesel Fuel	1	3	1	1
Ethane	3	-	4	4
Ethylene Glycol	1	1	1	2
Fatty Acids	2	1	2	1
Ferric Chloride	2	1	1	3
Ferric Sulfate	2	1	1	1
Fluorine	4	3	4	4
Formaldehyde 100%	3	2	1	4
Formic Acid	1	2	1	3
Gasoline	3	3	3	1
Grease	-	-	1	-
Heptane	3	2	3	1
Hydrazine	3	-	-	-
Hydrochloric Acid 20%	2	1	1	4
Hydrochloric Acid 100%	2	-	2	4
Hydrogen Peroxyde 30%	2	3	1	4
Hydrogen Peroxyde 100%	2	3	3	4
Iodine	4	1	4	4

Chemicals	PP	PE	PVC	PA
Magnesium Hydroxide	1	1	1	2
Mercury	2	1	2	1
Oleum 100%	4	4	4	4
Petrolatum	4	2	2	4
Phenol	2	2	3	3
Phosphoric Acid	2	2	2	2
Picric Acid	2	-	4	3
Potassium Carbonate	1	1	1	1
Silver Nitrate	1	2	1	1
Sodium Bicarbonate	1	1	1	1
Stearic Acid	1	2	2	1
Sulfuric Acid 105	1	1	1	4
Sulfuric Acid >75%	3	2	4	4
Tannic Acid	1	2	1	3
Toluene	3	2	4	1
Zinc Sulfate	1	1	1	1

! NOTE: Always check chemical resistance of Evac components if you are using any of the listed chemicals in your sewage system.

PP = Poly propene
PE = Polyethylene
PVC = Polyvinyl chloride
PA = Polyamide

Class:
 1 = Very good
 2 = Good
 3 = Moderate
 4 = Not recommended

PIPE CLEANING AND CLEANING CHEMICALS

CHEMICAL RESISTANCE OF MAJOR ELASTOMERS USED IN EVAC COMPONENTS

Chemical Agent	NR	NBR	EPDM	SBR
Acetaldehyde	3	4	1	4
Acetylene	1	1	-	1
Acetophenone	3	4	1	4
Acetone	1	1	1	4
Acetic Acid 10%	4	4	3	4
Acetic Acid 50%	4	4	4	3
Acetic Acid 25%	4	4	4	4
Acetic Acid 100%	4	1	1	2
Boric Acid 10%	1	1	1	1
Citric Acid	1	1	1	1
Chloroacetic Acid	3	3	3	3
Chromic Acid 40%	4	4	4	4
Formic Acid	3	2	2	2
Formic Acid	-	-	-	3
Phosphoric Acid 60%	2	1	1	3
Hypochlorous Acidc	-	1	-	2
Lactic Acid	1	1	-	1
Maleic Acid	1	-	2	2
Naphthenic Acid	-	-	-	1
Nitric Acid 10%	2	2	3	3
Nitric Acidc 65%	4	4	4	4
Palmitic Acid	3	3	2	1
Salicyclic Acid	1	-	1	3
Stearic Acid	3	3	2	2
Sulfuric Acid 10%	1	1	1	3
Sulfuric Acid 20%	1	1	-	1
Sulfuric Acid 25%	1	1	-	4
Sulfuric Acid 50%	1	1	-	4
Sulfuric Acid 60%	1	1	-	4
Sulfuric Acid 75%	4	4	-	4
Sulfuric Acid 65%	4	4	3	4
Sulfurous Acid	1	2	2	2
Tannic Acid	1	3	-	2
Tartaric Acid 10%	1	1	2	1
Deionized water	2	1	1	1
Turpentine	4	4	-	4
Acrylonitrile	1	4	2	4
Ammonia	2	1	1	1
Aniline	2	2	2	4
Aniline	4	4	1	4
Asphalt	4	4	4	1
ASTM 1OIL	4	3	4	1
ASTM 2 OIL	4	4	4	1
ASTM 3 OIL	4	4	4	1
Benzene	4	4	4	4
Sodium Bicarbonate	1	1	1	1
Carbon dioxide	1	1	1	1
Butter	4	4	3	1
Butadene	-	-	-	4
Liquid Butane	4	4	4	1
Fuel A (100% Isoctane)	4	3	4	1
Fuel B (70% Isoctane, 50%Toluol)	4	4	4	2
Fuel C (50% Isoctane, 50%Toluol)	4	4	4	2
Fuel with methanol or ethanol	4	4	4	3
Kerosene	4	4	-	1
Cyclohexane	4	4	4	1
Cloroacetone	-	-	1	4
Chlorobenzene	4	4	4	4
Chloroforme	4	4	4	4
Choloroprene chlorine	4	4	4	4

Chemical Agent	NR	NBR	EPDM	SBR
Dry chlorine	3	3	3	-
Wet chlorine	4	4	4	4
Dibutyl phthalate	4	4	1	4
Diethylene glycol	1	1	1	1
Diethyl sebacate	4	-	2	4
Dinitrotoluene	-	4	4	4
Diocyl phthalate	4	4	1	3
Diocyl sebacate	4	-	2	3
Epychlorohydrin	-	-	2	4
Hexane	4	4	4	1
Ethanol	1	1	1	2
Fluorobenzene	4	4	4	4
Formaldehyde 40%	1	1	-	1
Freon 11	2	2	4	1
Freon 12	1	1	2	1
Freon 21	3	3	3	3
Freon 22	1	1	1	1
Freon 113	3	2	3	3
Freon 114	1	-	1	1
Glycerine	1	1	1	1
Silicone wax	-	-	1	1
Hydrogen	1	-	1	1
Calcium Hydroxide	1	1	-	2
Sodium hypochlorite 10%	2	2	1	2
Milk	2	-	1	1
Mercury	1	1	-	1
Methanol	1	1	1	2
Methyl ethyl ketone	3	3	1	4
Naphtha	4	4	4	2
Nitrobenzene	4	4	1	4
Nitroethane	2	3	2	4
Nitrometane	1	1	2	4
Nitropropane	3	3	1	4
Animal oli (Whale-seal)	4	4	2	1
Cereal oil	4	4	1	1
Coconut oil	3	-	3	-
Cod liver oil	4	-	2	1
Olive oil	4	3	3	1
Cotton seed oil	4	4	2	1
Silicone oil	-	-	1	1
Castor oil	2	1	1	2
Oxygen	3	3	1	1
Ozone	4	4	1	4
Perchloroethylene	4	4	4	3
Potassium Permanganate 25%	4	-	4	-
Tetraethyllead	-	-	4	-
Propane	4	-	1	2
Soda (sodium hydroxide) 10%	1	1	1	1
Styrene	4	4	4	4
Toluene	4	4	4	4
Trichloroethylene	4	4	4	4
Sulfur	3	3	1	1

NR= Natural rubber

NBR = Nitrile rubber

EPDM = Ethylene propylene rubber

SBR = Styrene butadiene rubber

Class:

1 = Very good

2 = Good

3 = Moderate

4 = Not recommended

! NOTE: Always check chemical resistance of Evac components if you are using any of the listed chemicals in your sewage system.



PIPE CLEANING AND CLEANING CHEMICALS

CHEMICAL RESISTANCE OF METAL PIPES USED IN EVAC SYSTEMS

Chemical	Pipes				
	SS315	Black steel	Calvanized steel	Epoxy coated, galvanized steel, type LORO	CuNiFer
Hydrochloric Acid 100%	2	3	3	4	3
Hydrochloric Acid 20%	2	3	3	4	3
Phosphoric Acid	2	1	2	2	2
Chlorine	2	2	2	2	2

Scale:

1 = Very good

2 = Good

3 = Moderate

4 = Not recommended



EVAC MARINE CHEMICAL POLICY

EVAC MARINE CHEMICAL POLICY

More than 8000 ships in operation with Evac systems result questions from customers about optimal running costs and easy maintenance. Vacuum sanitary system and sewage treatment plant operation require the use of chemicals and cleaning, disinfection and foam prevention. Chemicals are used for toilet and bathroom cleaning, for preventing sewage piping from clogging, to get rid of foam and smell from collection unit and for effluent disinfection at sewage treatment plants.

Some general facts about cleaning agents

Chlorine based cleaners are mostly used for toilets and bathrooms. Many brands are commercially available, relatively inexpensive and killing bacteria well. High chlorine can also kill the "good" bacteria in biological treatment plants. Enzyme based biodegradable agents are the latest state of the art agents. They may not be as fast acting as chemicals, but are more environmentally friendly.

Water quality, piping material, temperature, all have effects on the build-up of deposit in vacuum piping. Experience has shown that organic stuff can be removed with base type chemicals and enzymes, but hard inorganic built-up of deposit requires use of acids.

Evac's chemical policy

Evac is not selling or marketing any chemicals. Evac can only assist, consult and recommend how to use chemicals in vacuum systems and treatment plants to maintain high hygiene and efficient system operation. Responsibility of the chemical policy is at Evac Customer support Department.

Companies in the Evac network, who can also assist in chemical matters are Transvac Marine Systems UK, Qua-Vac B.V NL, Virtus GmbH D and Excelsum International NL. International chemical suppliers are eg. UNITOR, DREW and DOW.

Whenever your customer or you have questions about usage and effects of chemicals or new product brands are entering the market, we are willing to be involved in helping and finding the best customer solution and chemical supplier.

Best regards,
Evac Oy
Customer Support

Markus Peltola



*Cleantech Solutions.
Anywhere.*

Evac Oy (Marine Head Office)
Finland
Tel + 358 20 763 0200
Fax + 358 20 763 0222
evac.marine@evac.com
evac.spareparts@evac.com

Evac BVST
Brazil
Tel + 55 (11) 51 81 68 11
evac.buildingbr@evac.com

Evac Vacuum Systems
(Shanghai) Co. Ltd
People's Republic of China
Tel + 86 21 6415 9580
Fax + 86 21 6415 7550
info.evaccn@evac.com
evac.sparescn@evac.com

Evac E.U.R.L.
France
Tel + 33 1 3421 9988
Fax + 33 1 3464 3900
info.evacfr@evac.com

Triton-Evac GmbH
Germany
Tel + 49 4101 53450 0
Fax + 49 4101 54350 60
triton@evac.com

Evac Asia Branch Office
Korea
Tel + 82 70 7445 5206
Fax + 82 51 780 8025
jin.choi@evac.com
evac.spareskr@evac.com

Evac Norway AS
Tel + 47 350 29700
Fax + 47 350 29701
evac.norway@evac.com

Evac North America Inc.
USA
Tel + 1 815 639 7725
Fax + 1 815 654 8306
evac.marineus@evac.com

Evac Marine Services
USA
Main Office + 1 954 719 6979
marineservices@evac.com