



JFA CONNECTOR J1700M/2700M/3700M SERIES

Connector for motor (EMI shielding product)

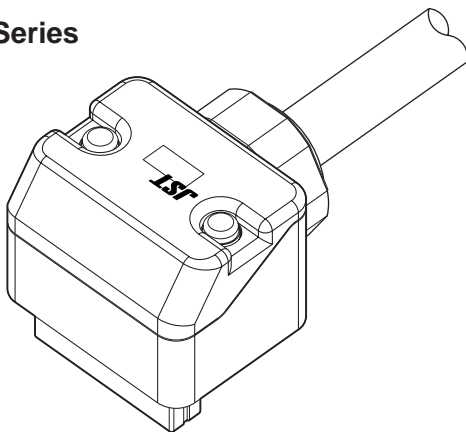
J1700M Series



J2700M Series



J3700M Series




- **6 circuit connector for power supply of servomotor**
- **EMI shielding product**
- **Tough metal cover**
- **Interchangeability with J1700/2700/3700 Series**

Specifications

- Current rating: 5 A AC, DC J1700M Series 2.0 mm pitch
(Applying current to 3-circuit when AWG #20.)
7 A AC, DC J2700M Series 2.5 mm pitch
(Applying current to 3-circuit when AWG #20.)
10 A AC, DC J3700M Series 3.8 mm pitch
(Applying current to 3-circuit when AWG #16.)
 - Voltage rating: 250 V AC, DC
 - Temperature range: -55°C to +105°C
(including temperature rise in applying electrical current)
 - Applicable cable O.D.: $\phi 7\pm 0.3$ mm (J1700M/J2700M Series)
 $\phi 8\pm 0.3$ mm (J3700M Series)
 - Waterproof grade: Grade 7 ingress protection of JIS C 0920
(IPX7 of IEC 60529)
- * Model number of connector kits is only registered to UL standard. (Each part number is not registered.)
- * Refer to "General Instruction and Notice when using Terminals and Connectors" at the end of this catalog.
- * Contact JST for details.
- * Compliant with RoHS.

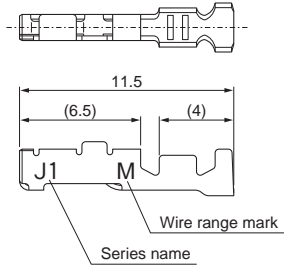
Standards

 Recognized E 60389

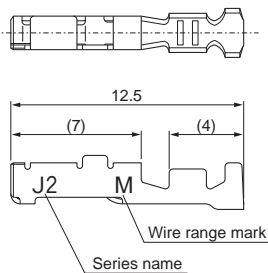
JFA CONNECTOR J1700M/2700M/3700M SERIES

Receptacle contact

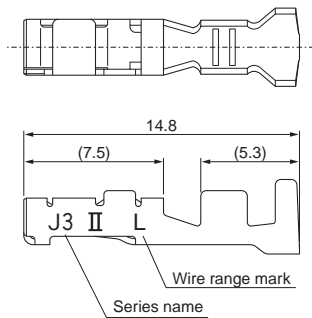
● J1000 Series



● J2000 Series



● J3000 Series



Series	Strip contact Model No.	Applicable wire			Insulation O.D. (mm)	Q'ty/reel
		Size	mm ²	AWG #		
J1000	SJ1F-01GF-P0.8	M	0.20~0.50	24~20	1.11~1.53	6,000
J2000	SJ2F-01GF-P1.0	M	0.20~0.50	24~20	1.11~1.53	6,000
J3000	SJ3F-01GF-P1.8	M	0.20~0.50	24~20	1.11~1.86	3,500
	SJ3F-41GF-P1.8	L	0.50~1.25	20~16	1.53~2.50	3,000

Material and Finish

Copper alloy (superior conductivity), nickel-undercoated, selective gold-plated

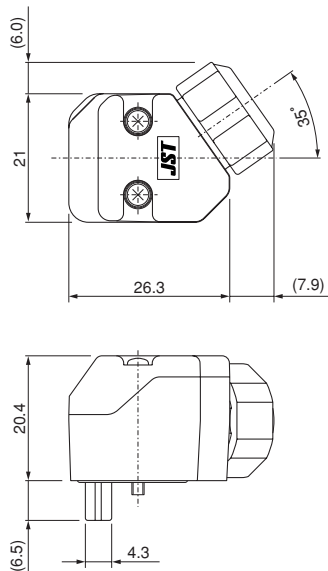
RoHS compliance

Crimping machine, Applicator

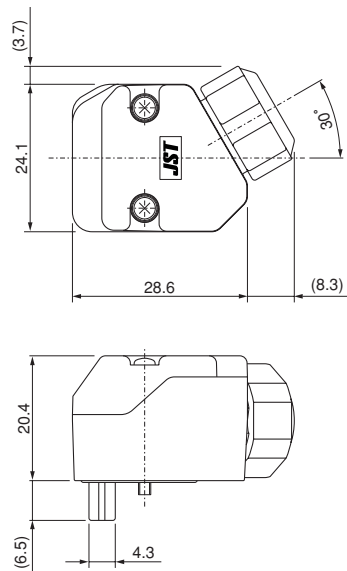
Series	Strip contact Model No.	Crimping machine	Applicator			Hand tools
			Crimp applicator	Dies	Crimp applicator with dies	
J1000	SJ1F-01GF-P0.8	AP-K2N	MKS-L	MK/SJ1F/M01-08	APLMK SJ1F/M01-08	YRS-8841
J2000	SJ2F-01GF-P1.0			MK/SJ2F/M01-10	APLMK SJ2F/M01-10	YRS-8861
J3000	SJ3F-01GF-P1.8			MK/SF3F/M01-20	APLMK SF3F/M01-20	YRF-881
	SJ3F-41GF-P1.8			MK/SF3F/M41-20	APLMK SF3F/M41-20	YRF-880

Assembly layout

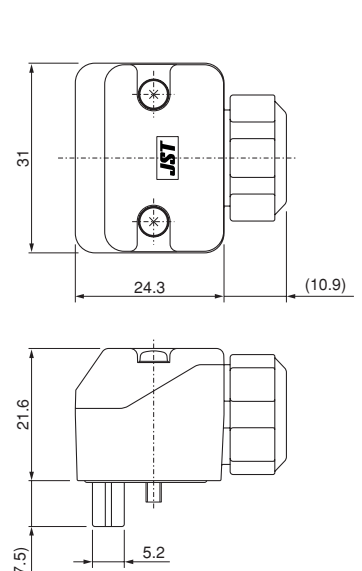
● J1700M Series



● J2700M Series

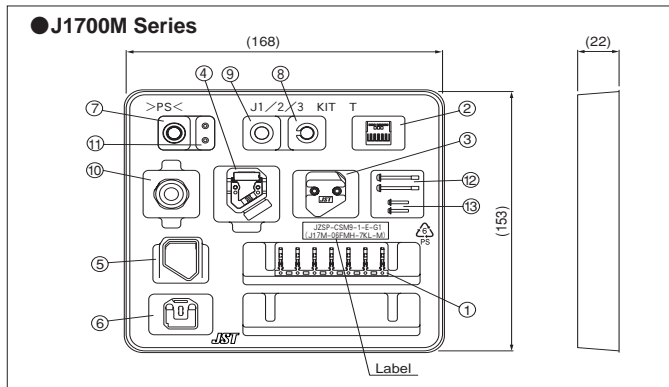


● J3700M Series



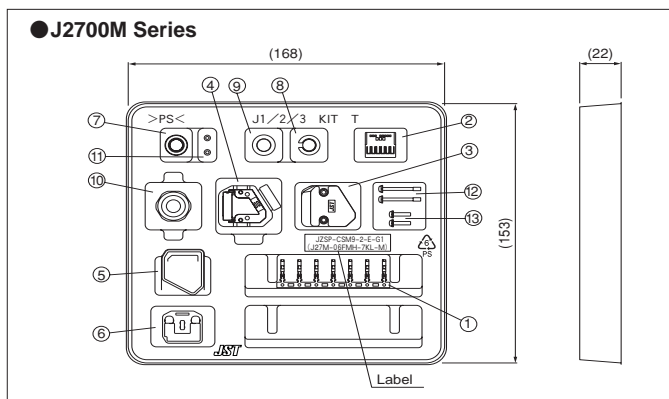
JFA CONNECTOR J1700M/2700M/3700M SERIES

Connector kits



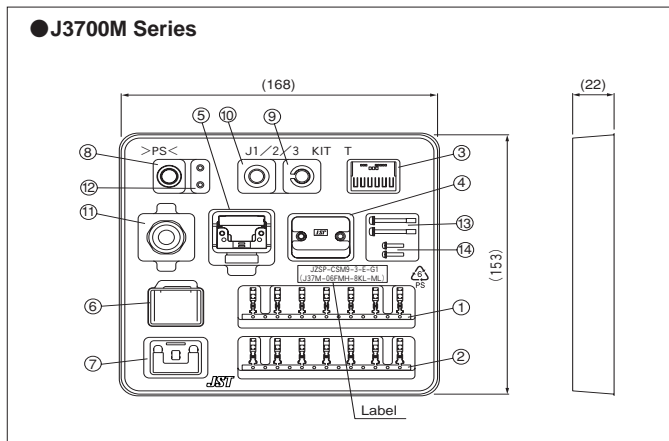
Connector kit Model No.	Q'ty/box	No.	Part Name	Q'ty
J17M-06FMH-7KL-M	12	①	Receptacle contact (M type)	7
		②	Receptacle housing	1
		③	Top cover	1
		④	Bottom cover	1
		⑤	Cover seal	1
		⑥	Seal rubber plate	1
		⑦	Seal ring	1
		⑧	Clamp ring	1
		⑨	Ring	1
		⑩	Clamp nut	1
		⑪	O ring	2
		⑫	M2x21 sems screw	2
		⑬	M1.6x10 sems screw	2

RoHS compliance



Connector kit Model No.	Q'ty/box	No.	Part Name	Q'ty
J27M-06FMH-7KL-M	12	①	Receptacle contact (M type)	7
		②	Receptacle housing	1
		③	Top cover	1
		④	Bottom cover	1
		⑤	Cover seal	1
		⑥	Seal rubber plate	1
		⑦	Seal ring	1
		⑧	Clamp ring	1
		⑨	Ring	1
		⑩	Clamp nut	1
		⑪	O ring	2
		⑫	M2x21 sems screw	2
		⑬	M2x10 sems screw	2

RoHS compliance



Connector kit Model No.	Q'ty/box	No.	Part Name	Q'ty
J37M-06FMH-8KL-ML	12	①	Receptacle contact (M type)	7
		②	Receptacle contact (L type)	7
		③	Receptacle housing	1
		④	Top cover	1
		⑤	Bottom cover	1
		⑥	Cover seal	1
		⑦	Seal rubber plate	1
		⑧	Seal ring	1
		⑨	Clamp ring	1
		⑩	Ring	1
		⑪	Clamp nut	1
		⑫	O ring	2
		⑬	M2.5x23 sems screw	2
		⑭	M2x10 sems screw	2

RoHS compliance

Note: M and L types of receptacle contact are the same packing specification.

Connector parts

Components	J1700M Series			J2700M Series			J3700M Series		
	Model No.	Size	Q'ty/box	Model No.	Size	Q'ty/box	Model No.	Size	Q'ty/box
Receptacle contact	SJ1F-01GF-P0.8	M	6,000 (reel)	SJ2F-01GF-P1.0	M	6,000 (reel)	SJ3F-01GF-P1.8	M	3,500 (reel)
							SJ3F-41GF-P1.8	L	3,000 (reel)
Receptacle housing	*J1FSN-06V-K (YE)	—	300	*J2FSN-06V-K (YE)	—	200	*J3FSN-06V-K (YE)	—	100
Top cover	*J1MTC-7KA	—	100	*J2MTC-7KA	—	100	*J3MTC-8KA	—	100
Bottom cover	*J1MBC-7KA	—	100	*J2MBC-7KA	—	100	*J3MBC-8KA	—	100
Cover seal	*J1MCS-KN	—	100	*J2MCS-KN	—	100	*J3MCS-KN	—	100
Seal rubber plate	*J1MSP-KN	—	500	*J2MSP-KN	—	500	*J3MSP-KN	—	500
Seal ring	*JMSR-7KN	—	100 (bag)	*JMSR-7KN	—	100 (bag)	*JMSR-8KN	—	100 (bag)
Clamp ring	*JMCR-7V-K	—	500	*JMCR-7V-K	—	500	*JMCR-8V-K	—	500
Ring	*JMRI-7V-K	—	500	*JMRI-7V-K	—	500	*JMRI-8V-K	—	500
Clamp nut	*JMCN-M16V-K	—	100 (bag)	*JMCN-M16V-K	—	100 (bag)	*JMCN-M18V-K	—	100 (bag)
O ring	*JRG-2KN (YE)	—	3,000	*JRG-2KN (YE)	—	3,000	*JRG-2.5KN (YE)	—	3,000
M2x21 sems screw	*SM2.0-21N	—	800	*SM2.0-21N	—	800	—	—	—
M2.5x23 sems screw	—	—	—	—	—	—	*SM2.5-23N	—	800
M1.6x10 sems screw	*SM1.6-10N	—	1,000	—	—	—	—	—	—
M2x10 sems screw	—	—	—	*SM2.0-10N	—	1,000	*SM2.0-10N	—	1,000

RoHS compliance

Note: *Marked products are not approved by UL standard.

JFA CONNECTOR J1700M/2700M/3700M SERIES

Model number identification

Receptacle contact

S J1 F - 01 GF - P 0.8

Form: S...Strip form
 Series name: J1...J1000, J2...J2000, J3...J3000
 Kind of terminal: F...Receptacle contact
 Applicable wire range: 01...AWG #24~#20, 41...AWG #20~#16
 Surface finish: GF...Nickel-undercoated, selective gold-plated (0.38_μm)
 Material: P...Copper alloy
 Terminal size: 0.8...J1000, 1.0...J2000, 1.8...J3000

Kit

J17M - 06 FMH - 7 K L - M

Series name: J17M...J1700M, J27M...J2700M, J37M...J3700M
 Circuits: 6
 Part name:
 Applicable cable O.D.: 7...φ7, 8...φ8
 Color indication: K...Black
 Packaging form: L...Tray for kit
 Size: M...M type, ML...M, L types (Same packing spec.)

Receptacle housing

J1 F S N - 06 V - K (YE)

Series name: J1...J1700, J2...J2700, J3...J3700
 Part name:
 Rows: S...Single-row
 Mounting arrangement: N...Non-locking type
 Circuits: 6
 Flammability: V...UL94V-0
 Color indication: K...Black
 Sub model number:

Top cover/Bottom cover

J1M TC - 7 K A

Series name: J1M...J1700M, J2M...J2700M, J3M...J3700M
 Part name: TC...Top cover, BC...Bottom cover
 Applicable cable O.D.: 7...φ7, 8...φ8
 Color indication: K...Black
 Material:

Cover seal/Seal rubber plate

J1M CS - K N

Series name: J1M...J1700M, J2M...J2700M, J3M...J3700M
 Part name: CS...Cover seal, SP...Seal rubber plate
 Color indication: K...Black
 Material:

Seal ring

JM SR - 7 K N

Series name:
 Part name:
 Applicable cable O.D.: 7...φ7, 8...φ8
 Color indication: K...Black
 Material:

Clamp ring/Ring

JM CR - 7 V - K

Series name:
 Part name: CR...Clamp ring, RL...Ring
 Applicable cable O.D.: 7...φ7, 8...φ8
 Flammability: V...UL94V-0
 Color indication: K...Black

Clamp nut

JM CN - M16 V - K

Series name:
 Part name:
 Screw size: M1.6...M1.6 screw, M18...M18 screw
 Flammability: V...UL94V-0
 Color indication: K...Black

O ring

J R G - 2 K N (YE)

Series name:
 Part name:
 Part size: 2...For M2 screw, 2.5...For M2.5 screw
 Color indication: K...Black
 Material:
 Sub model No.:

Sems screw

S M2.0 - 21 N

Part name:
 Screw size: M1.6...M1.6 screw, M2.0...M2.0 screw, M2.5...M2.5 screw
 Screw length: 10...10 mm, 21...21 mm, 23...23 mm
 Surface finish: N...Nickel-plated