

flexotron® 2000

EXR 101, 102: Switching units

How energy efficiency is improved

Switching outputs for the activation of a two-stage fan control. With this you can, for example, retrofit a system with a ventilation control if needed.

Areas of application

Switching and alarm function in various applications.

Features

- Easy to operate thanks to analogue user interface
- LED display for indication of switching status
- Setting options for setpoint and switching difference

Technical description

- Standard housing as per DIN 43880 made of flame-retardant thermoplastic
- Analogue input 0 - 10 V or 4 - 20 mA
- 1 potential-free relay contact per switch position
- Suitable for mounting on top-hat rail as per EN 60715
- Electrical connection with screw terminals for wires up to 2.5 mm²

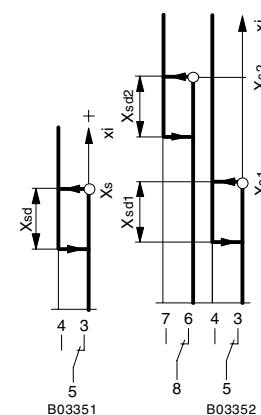


T03483



Y03350

Type	Features	Voltage	Weight kg
EXR 101 F001	1-stage switching unit	24 V~	0,13
EXR 102 F001	2-stage switching unit	24 V~	0,22
Input or Output relay	0(2)...10 V, $R_i = 30 \text{ k}\Omega$ ¹⁾ 0(4)...20 mA, $R_i = 50 \Omega$ ²⁾ 4(1)A, 250 V~	Setting ranges Setpoint X_{S1} , X_{S2} Switching difference	0...10 V, 0...20 mA 0,4...10 V, 0,8...20 mA
Power supply 24 V~ Power consumption Permissible ambient temp. Degree of protection frontal	$\pm 20\%$, 50...60 Hz approx. 3 VA 0...40 °C IP 20 (EN 60529) IP 40	Wiring diagram Dimension drawing Fitting instructions	EXR 101 A03210 M368975 MV 505084 EXR 102 A03211 M368970 MV 505085



Accessories

0368961 001 Terminal cover for EXR 101; attains protection class II as per IEC 60730

0368962 001 Terminal cover for EXR 102; attains protection class II as per IEC 60730

- 1) Protected against excess voltage up to 20 V~
2) Protected against excess current up to 40 mA

Operation

The input signal is compared with the setpoint X_{S1} (X_{S2}). If this is exceeded, contacts 5-4 (8-7) are closed, which is indicated by an LED. If the input signal undercuts the value $X_{S1}-X_{Sd1}$ ($X_{S2}-X_{Sd2}$), contacts 5-3 (8-6) are closed.

N.B.: The figures in brackets also apply to EXR 102.

Engineering note

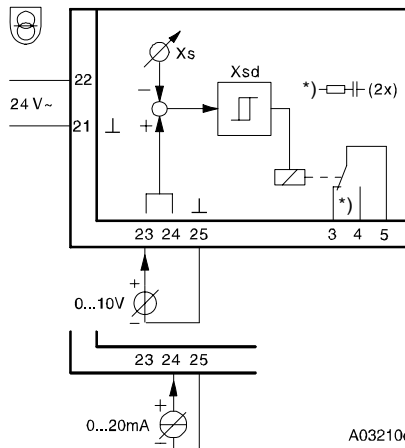
The contacts are equipped with RC circuitry.

Additional technical data

EXR 101 F001	EXR 102 F001
Complies with:-	Complies with:-
Directive 2006/95/EC	EN 60730-1/ EN 60730-2-9
EMC directive 2004/108/EC	EN 61000-6-1/ EN 61000-6-3 EN 61000-6-4
	Directive 2006/95/EC
	EN 60730-1/ EN 60730-2-9
	EMC directive 2004/108/EC
	EN 61000-6-1/ EN 61000-6-2 EN 61000-6-3/ EN 61000-6-4

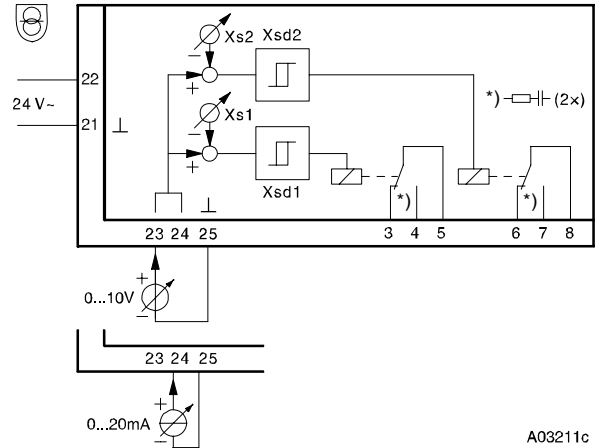
Wiring diagrams

EXR 101



A03210c

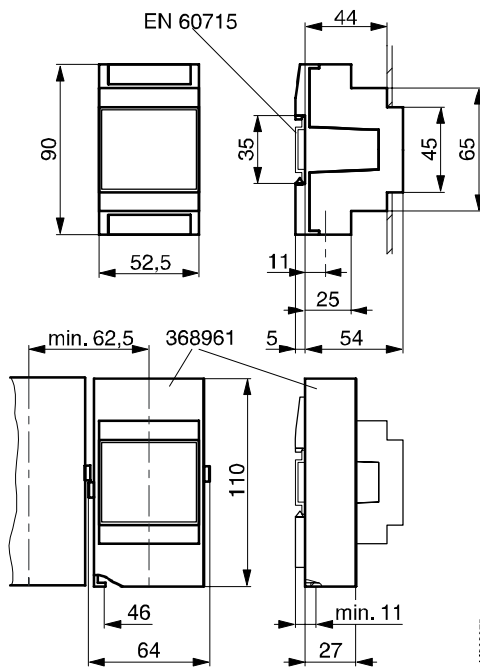
EXR 102



A03211c

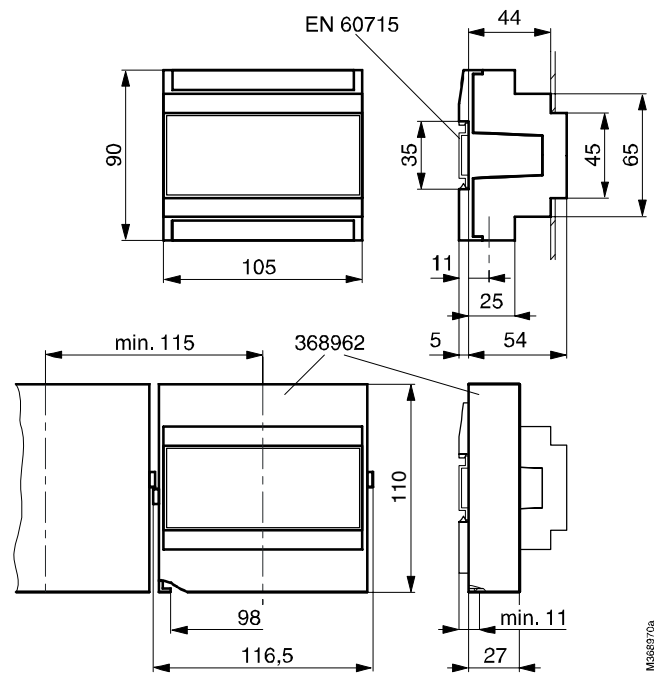
Dimension drawings

EXR 101



M368975a

EXR 102



M368970a