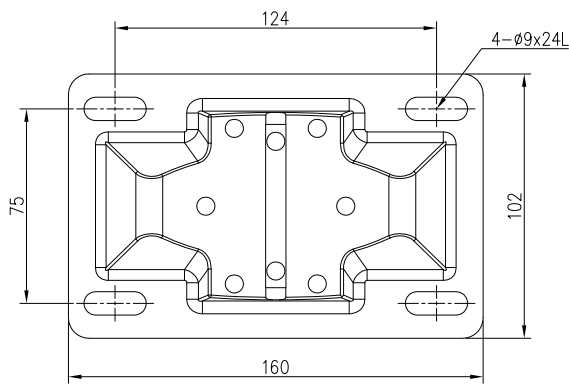
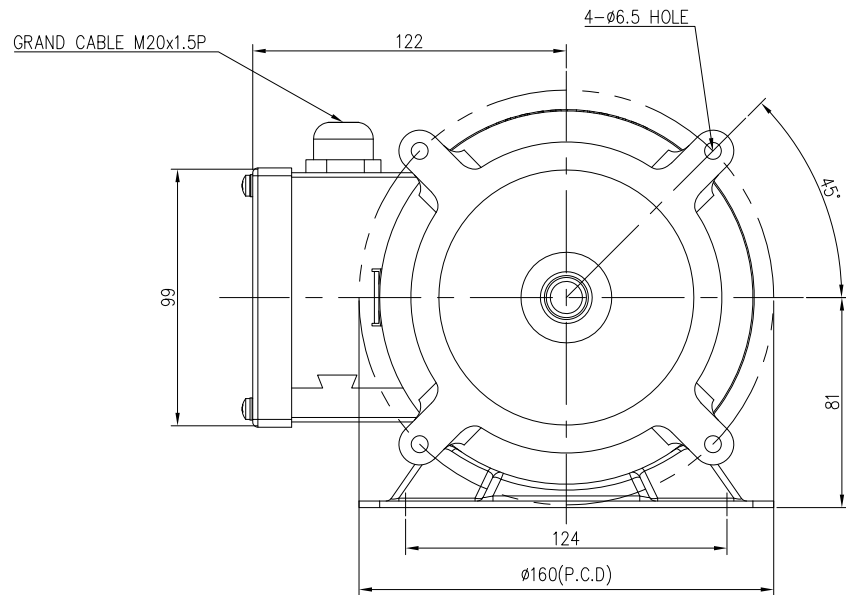
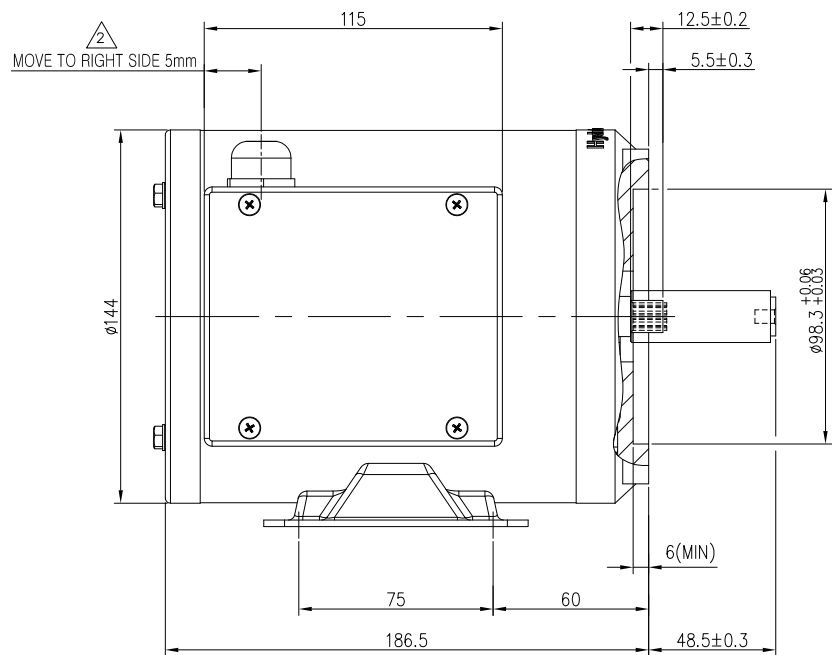


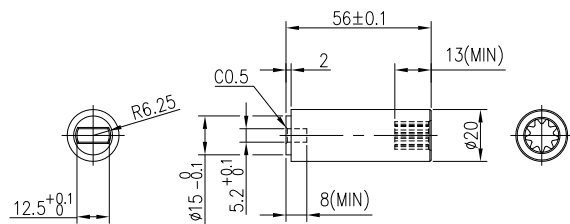
| Rev. | No. | Description | Date |
|------|-----|--|----------|
| 01 | ① | 코드변경 - S22260HC12 => S22260HC12F(윤여진 주임 요청 by C. J. Kim | 18.03.22 |
| 02 | ② | 그랜드케이블 홀 위치 5mm 우측으로 이동 (유재민 과장 요청) (업체에서 도면에 표기를 해주지 않아, 내용만 적음) | 18.05.24 |
| 03 | ③ | 도면번호 변경(관리번호->신규 도면번호) | 21.05.03 |

| Designed by | Checked by | Confirmed by |
|-------------|------------|--------------|
| <i>Lee</i> | <i>Kim</i> | |

| Parameter | Symbol | Value |
|-------------------|--------|---------------------------------------|
| Number of teeth | Z | 9 |
| Analog-to-digital | m | 1.27 |
| Pressure angle | α D | 30° |
| Large-diameter | Dee | φ12.4 ⁰ _{-0.011} |
| Small-diameter | Die | φ9.525 ⁰ _{-0.011} |



Spline Coupling Dimension



MOUNTING BRACKET DETAIL

Connection diagram

| CW 115V CCW | CW 230V CCW |
|----------------------------|----------------------------|
| Blue(1) — L1 — Blue(1) | Blue(1) — L1 — Blue(1) |
| Orange(3) — L2 — Orange(3) | White(2) — L1 — White(2) |
| Red(8) — L2 — Red(8) | Orange(3) — L2 — Orange(3) |
| Brown① — L2 — Brown① | Red(8) — L2 — Red(8) |
| Brown② — L2 — Brown② | Brown① — L2 — Brown① |
| White(2) — L2 — White(2) | Brown② — L2 — Brown② |
| Yellow(4) — L2 — Yellow(4) | Yellow(4) — L2 — Yellow(4) |
| Black(5) — L2 — Black(5) | Black(5) — L2 — Black(5) |
| | Red(8) — L2 — Red(8) |

| No. | Description | Q'ty | Remark |
|--------------------------------------|-------------|------------------|---------------|
| | Client | - | Weight(kg) |
| | Item Name | AC MOTOR | Date |
| | Scale | N/S | DS. |
| | Drawing No. | ③ 100-4019416-03 | AP. |
| Form Information for AutoCAD 2004 A3 | | Item Code | ③ S20756HC22F |