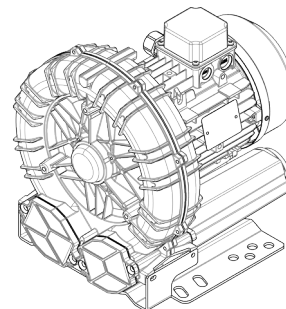


Technical Characteristics	
<ul style="list-style-type: none"> - Aluminum alloy construction - Smooth operation - Maintenance free 	
Electric Motor	
<ul style="list-style-type: none"> - Motors with IP 55 protection rating. - class F insulation, suitable for operating with inverter (refer to FPZ) - Thermal Protector (PTO) as standard 	
Options	
<ul style="list-style-type: none"> - Special voltages (IEC 60038) - Surface treatments - Increased seal version 	

~3	[V] (Y / Δ)	[Hz]
IE2	400 / 230	50
	460 / 265	60
Wide Range	345 - 415 / 200 - 240	50
	380 - 480 / 220 - 280	60

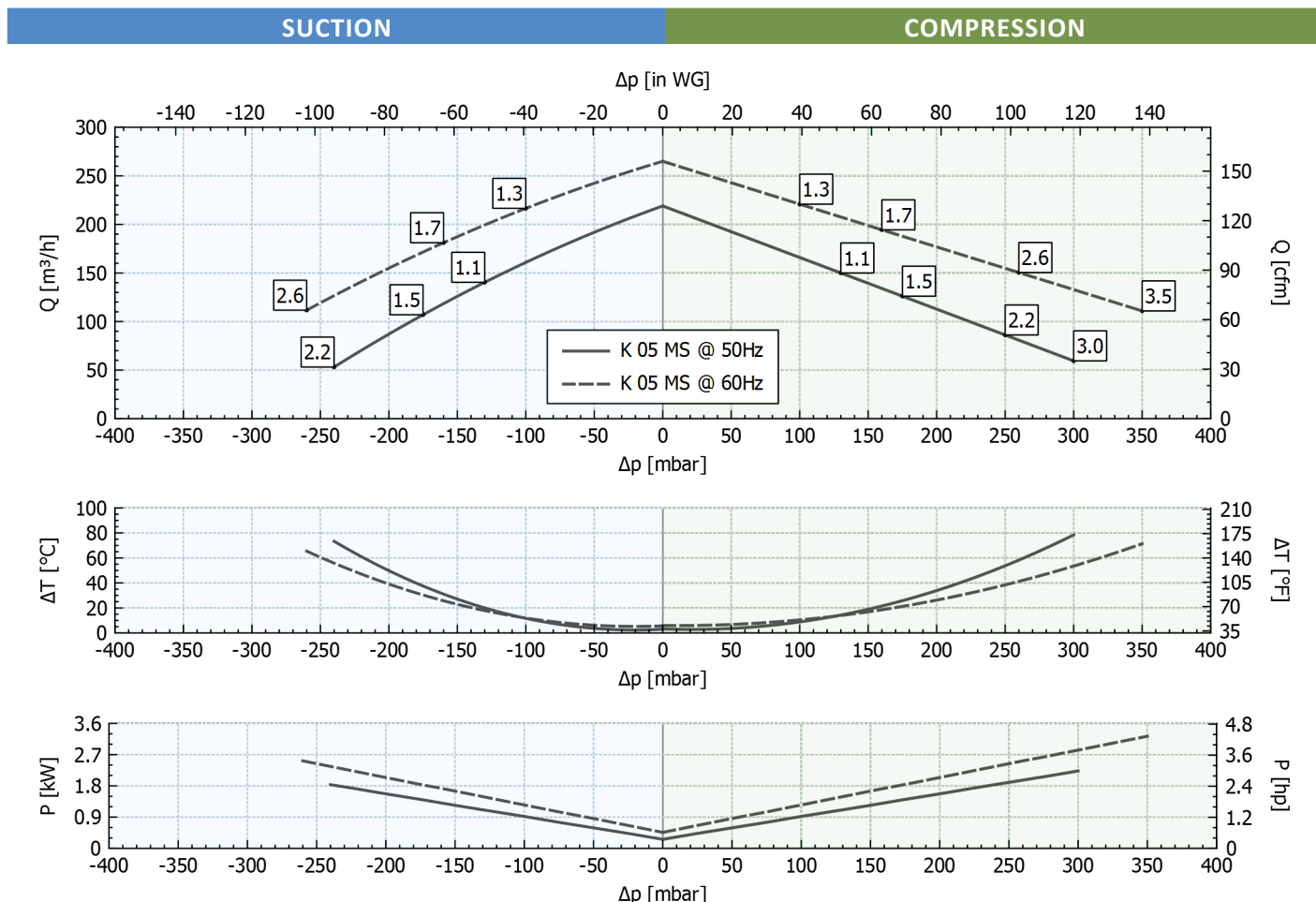
Supply voltage - IE2 only at 50 Hz - Tolerance on the fixed voltage value $\pm 10\%$, in range $\pm 5\%$.



Performance Table

P _n [kW]	Frequency [Hz]	Δp _{max} [mbar]		Q _{max} [m³/h]	Leq ¹ [dB(A)]	Weight [kg]	H ³ [mm]	Current Consumption (Y/Δ) [A]		Cosφ [-]	Speed [rpm]
		Suction	Compression					IE2 ²	Range		
1.1	50	130	130	219	67.2	25.5	295	2.63 / 4.56	2.60-2.76 / 4.50-4.78	0.73	2930
1.3	60	100	100	265	69.2	25.5	295	2.55 / 4.41	2.70-2.65 / 4.67-4.59	0.76	3530
1.5	50	175	175	219	67.2	25.5	295	3.25 / 5.62	3.47-3.30 / 6.00-5.71	0.81	2900
1.7	60	160	160	265	69.2	25.5	295	3.10 / 5.37	3.53-3.10 / 6.11-5.36	0.82	3505
2.2	50	240	250	219	67.2	27.5	320	4.58 / 7.93	4.97-4.64 / 8.60-8.04	0.82	2890
2.6	60	260	260	265	69.2	27.5	320	4.56 / 7.90	5.33-4.55 / 9.23-7.88	0.84	3485
3	50	-	300	219	67.2	34.5	365	6.27 / 10.8	6.88-6.36 / 11.9-11.0	0.82	2920
3.5	60	-	350	265	69.2	34.5	365	6.23 / 10.8	7.29-6.23 / 12.6-10.8	0.84	3515

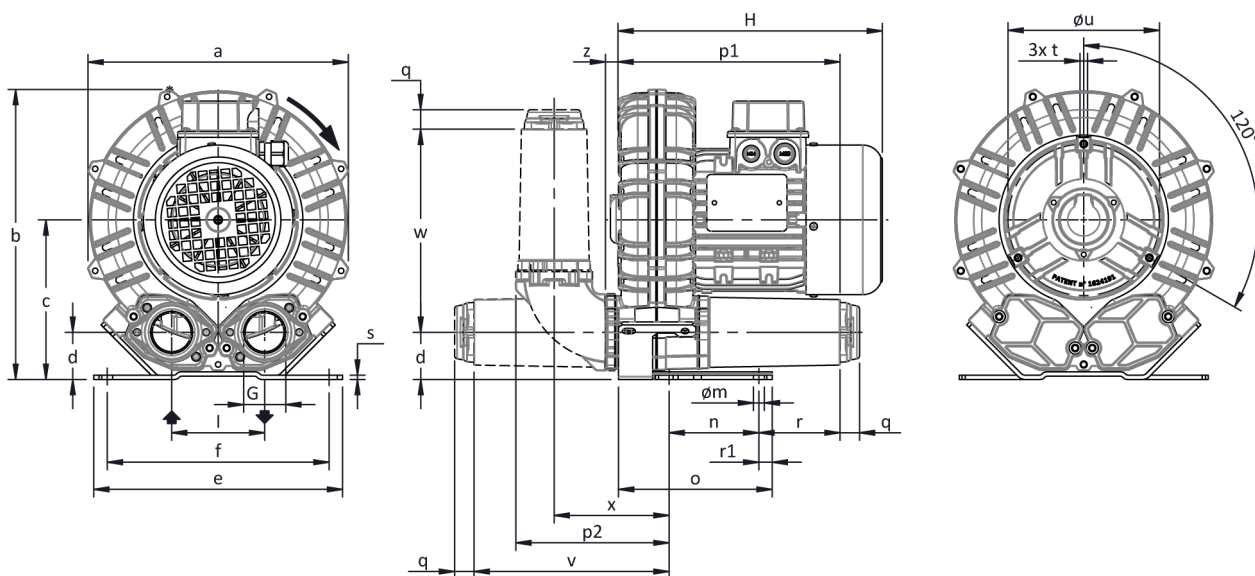
1. Noise level measured at a distance of 1 m with ducted intake and delivery, in accordance with Standard ISO 3744.
 2. IE2 only at 50 Hz.
 3. See figure "dimensions" at following page.



Tolerance on indicated values $\pm 10\%$.
 Data subject to change without notice.
 Curves referring to air at a temperature of 20 °C and atmospheric pressure of 1013 mbar (abs).



Dimensions



Configuration with a vertical silencer is only available with the CK accessory kit; for all assembly options refer to FPZ.

NOT Binding
 Dimensions in mm

a	b	c	d	d1	e	f	G	l	l1	l2	m	n	o	p1	p2	q	r	r1	s	t	u	v	w	x	y	z
327	365	200	54	-	325	260	G 2"	120	-	-	15	115	265	320	230	18	98	38.5	4	M8	200	330	285	184	-	19

INSTALLATION

- For proper operation of the machine, it must be provided with a suction FILTER and a vacuum/pressure limiting VALVE.
- Other accessories are available on request.
- Permissible ambient and fluid temperature in suction from -15 °C to +40 °C.
- Read the instruction manual carefully before installing the machine.