

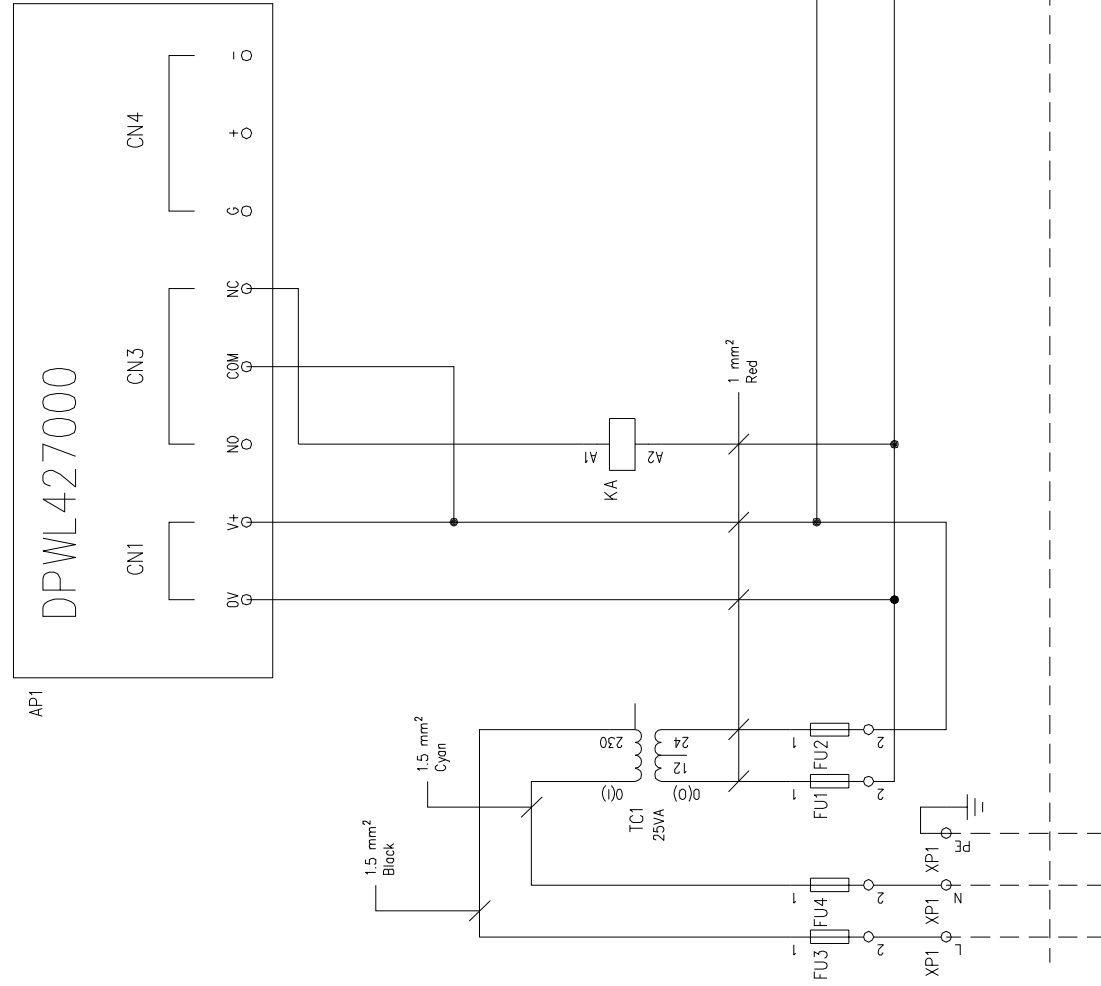
PROJECT DPWL447000R0.DWG		CLIENT		PROJECT DPWL447000R0.DWG	
DATE 21/01/2016		DRAFT M.B.		DATE 21/01/2016	
SHEET 3 OF 6		FOLLOWS		SHEET 3 OF 6	
REV. 4		MODIFY		NAME	
DATE		DATE		DATE	
LAYOUT		CAREL		LAYOUT	

DEFAULT JUMPERS POSITION

- J1: ON
- J2: OFF
- J3: OFF
- J4: OFF
- J5: OFF
- J6: OFF
- J7: OFF
- J8: ON
- J9: OFF
- J10: OFF

DEFAULT POTENTIOMETERS POSITION

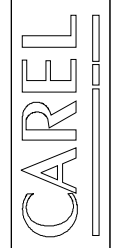
- SW1: 1
- SW2: 0

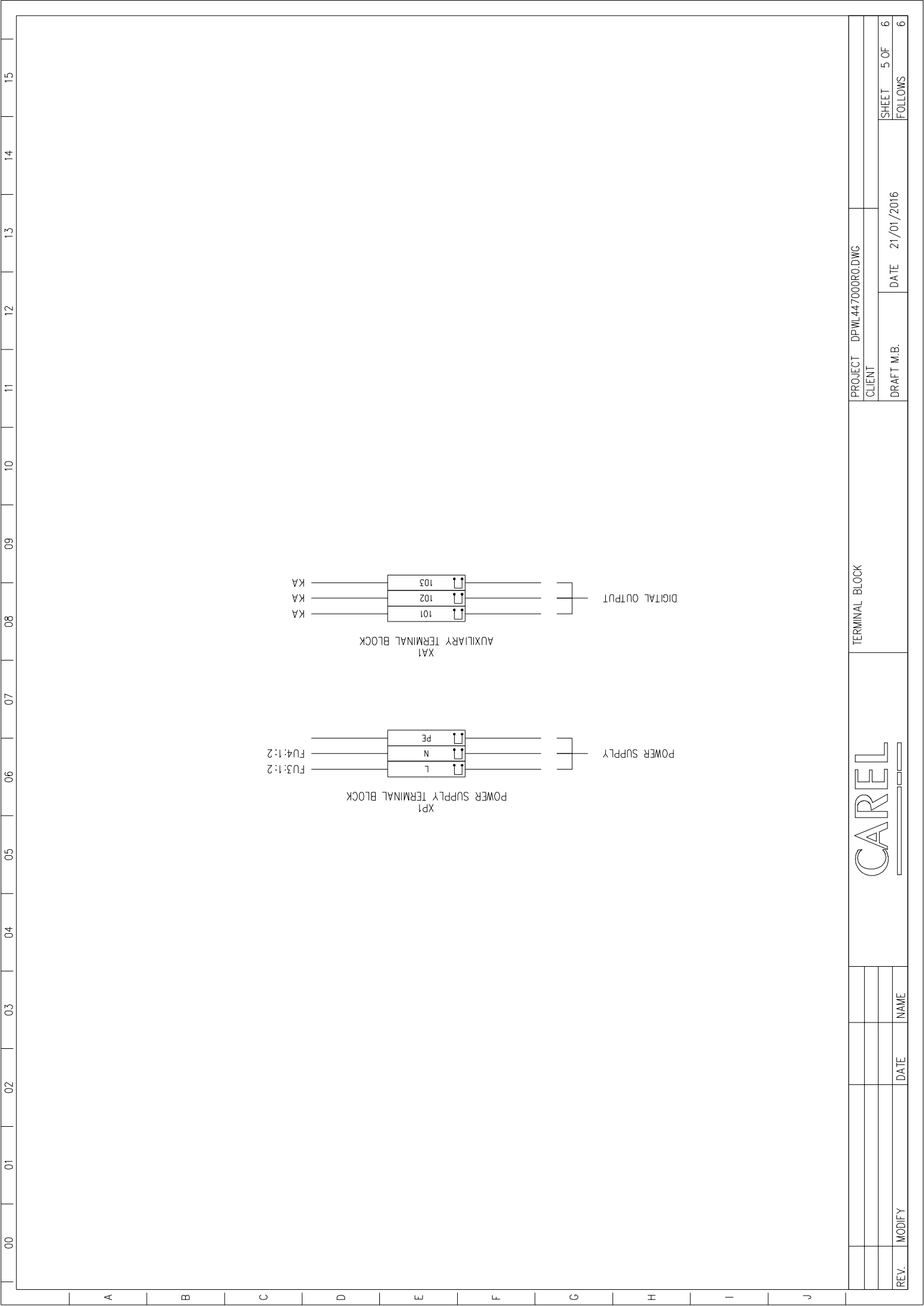


POWER SUPPLY
230V-1PH+N+T-50/60HZ

DIGITAL OUTPUT
(VOLTAGE-FREE RELAY)

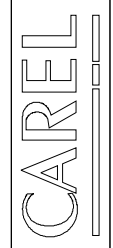
PROJECT DPWL447000R0.DWG		SHEET 4 OF 6	
CLIENT		FOLLOWS	
DRAFT M.B.		DATE 21/01/2016	
ELECTRIC CIRCUIT		MACHINE LIMIT	
REV.	MODIFY	DATE	NAME





PROJECT	DPWL447000R0.DWG
CLIENT	
DRAFT M.B.	DATE 21/01/2016
SHEET 5 OF 6	FOLLOWS 6

TERMINAL BLOCK



REV.	MODIFY	DATE	NAME

