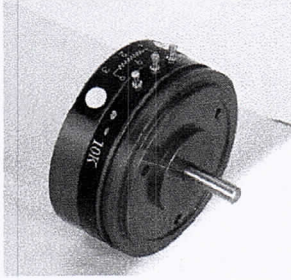


Conductive Plastic Angle Sensor

CPP-45 Series



- Conductive Plastic Angle Sensor
- Effective Electrical Travel : 350°
- Independent Linearity : ±0.3% (Special Linearity : ±0.1%)
- Servo Mount and Screw Mount

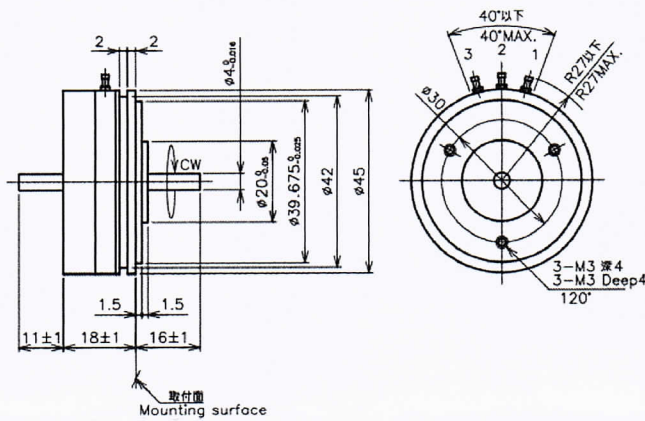
- CPP-45 : φ 4mm Shaft
- CPP-45B : φ 6mm Shaft

【Material】

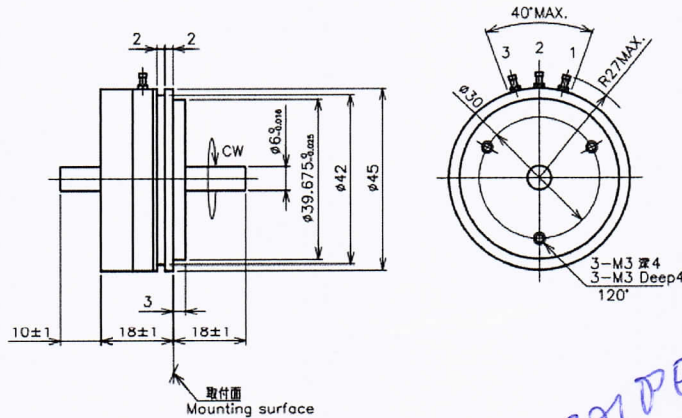
- Housing : Aluminum
- Shaft : Stainless Steel
- Ball Bearing : Stainless Steel

Dimension [mm]

CPP-45



CPP-45B



*IMPEXRON FRANCE
 Tel: 05 335 222 46
 mail: sales@impexron.fr*