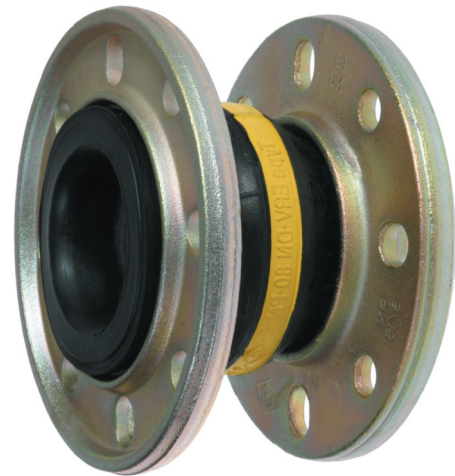


Section 1	Weight App. ≈ kg	Effect. Area Q:cm2	Bellow Size DN		Press. Nom. bar	Flange 1) Measurements mm			Length BL mm	Part 1) Number Type
			in.	mm		D	k Ø	l x Ø		
1,9	15	1"	<b>25</b>	16	115	85	4 x 14	130	ERV-G 25.16 <sup>2)</sup>	
3,4	15	1 1/4"	<b>32</b>	16	140	100	4 x 18	130	ERV-G 32.16	
3,6	15	1 1/4"	<b>32</b>	16	140	100	4 x 18	160	ERV-G 32x160.16	
4,0	20	1 1/2"	<b>40</b>	16	150	110	4 x 18	130	ERV-G 40.16	
4,2	20	1 1/2"	<b>40</b>	16	150	110	4 x 18	160	ERV-G 40x160.16	
4,6	30	2"	<b>50</b>	16	165	125	4 x 18	130	ERV-G 50.16	
4,7	30	2"	<b>50</b>	16	165	125	4 x 18	150	ERV-G 50x150.16	
4,8	30	2"	<b>50</b>	16	165	125	4 x 18	160	ERV-G 50x160.16	
5,3	50	2 1/2"	<b>65</b>	16	185	145	4 x 18	130	ERV-G 65.16	
5,4	50	2 1/2"	<b>65</b>	16	185	145	4 x 18	150	ERV-G 65x150.16	
5,5	50	2 1/2"	<b>65</b>	16	185	145	4 x 18	160	ERV-G 65x160.16	
6,9	85	3"	<b>80</b>	16	200	160	8 x 18	130	ERV-G 80.16	
7,0	85	3"	<b>80</b>	16	200	160	8 x 18	150	ERV-G 80x150.16	
7,1	85	3"	<b>80</b>	16	200	160	8 x 18	160	ERV-G 80x160.16	
8,0	125	4"	<b>100</b>	16	220	180	8 x 18	130	ERV-G 100.16	
8,1	125	4"	<b>100</b>	16	220	180	8 x 18	150	ERV-G 100x150.16	
8,2	125	4"	<b>100</b>	16	220	180	8 x 18	160	ERV-G 100x160.10	
9,9	185	5"	<b>125</b>	16	250	210	8 x 18	130	ERV-G 125.16	
10,1	185	5"	<b>125</b>	16	250	210	8 x 18	150	ERV-G 125x150.16	
10,2	185	5"	<b>125</b>	16	250	210	8 x 18	160	ERV-G 125x160.16	
12,3	250	6"	<b>150</b>	16	285	240	8 x 22	130	ERV-G 150.16	
12,4	250	6"	<b>150</b>	16	285	240	8 x 22	150	ERV-G 150x150.16	
12,5	250	6"	<b>150</b>	16	285	240	8 x 22	160	ERV-G 150x160.16	
16,5	400	8"	<b>200</b>	16	340	295	8 x 22	130	ERV-G 200.10	
16,6	400	8"	<b>200</b>	16	340	295	8 x 22	150	ERV-G 200x150.10	
16,7	400	8"	<b>200</b>	16	340	295	8 x 22	160	ERV-G 200x160.10	
16,8	400	8"	<b>200</b>	16	340	295	8 x 22	175	ERV-G 200x175.10	
21,6	600	10"	<b>250</b>	16	395	350	12 x 22	130	ERV-G 250.10	
21,9	600	10"	<b>250</b>	16	395	350	12 x 22	175	ERV-G 250x175.10	
22,1	600	10"	<b>250</b>	10	395	350	12 x 22	200	ERV-G 250x200.10	
29,3	800	12"	<b>300</b>	16	445	400	12 x 2	130	ERV-G 300.10	
29,8	800	12"	<b>300</b>	10	445	400	12 x 2	200	ERV-G 300x200.10	
43,0	1000	14"	<b>350</b>	16	505	460	16 x 22	200	ERV-G 350.10	
46,0	1375	16"	<b>400</b>	16	565	515	16 x 26	200	ERV-G 400.10	
50,0	1780	18"	<b>450</b>	10	615	565	20 x 26	200	ERV-G 450.10	
53,0	1780	18"	<b>450</b>	10	615	565	20 x 26	250	ERV-G 450x250.10	
57,0	2185	20"	<b>500</b>	10	670	620	20 x 26	200	ERV-G 500.10	
70,0	3080	24"	<b>600</b>	10	780	725	20 x 30	200	ERV-G 600.10	
117,0	4800	28"	<b>700</b>	10	895	840	24 x 30	275	ERV-G 700.10	
129,5	5440	32"	<b>800</b>	10	1015	950	24 x 33	250	ERV-G 800.10	
184,0	7100	36"	<b>900</b>	10	1115	1050	28 x 33	300	ERV-G 900.10	
245,0	8700	40"	<b>1000</b>	10	1230	1160	28 x 36	300	ERV-G 1000.10	

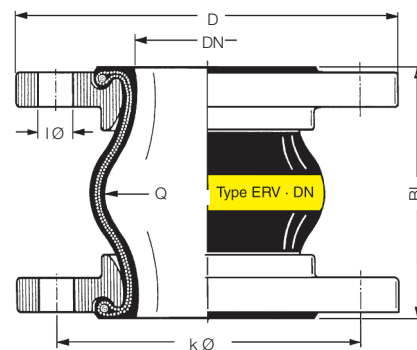
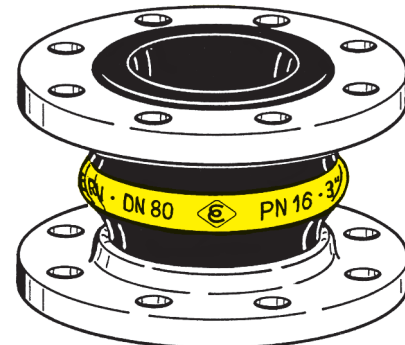


### Type ERV-G



**YELLOW BAND** expansion joints in High-Tech design suitable for petroleum based products, fuel ethanol blend e.g. E 85 and DIN EN fuels up to 50% aromatic content, also town gas and natural gas, except for LP gas. Temperature (depending on medium) range -20°C up to +90°C, temporarily up to +100°C. Electrically conductive.

- Lining : NBR (nitrile), seamless, abrasion resistant
- Reinforcement : PA textile cord
- Cover : Chloroprene CR
- Marking : Yellow band, ERV DN..., PN ..., production date
- Flanges 1) : Swivelling, DIN PN



1) Examples. Other flange standards and materials see catalogue pages 1-101 to 1-104.


2) For rubber expansion joints DN 25 bellows DN 32 are used.

RUBBER EXPANSION JOINTS ERV-G

Specifications subject to change without notice · Copyright ELAFLEX

## RANGE OF MOVEMENT TYPE ERV-G

*Allowable static range of movement in service with usage of collar flanges up to 50° C*

ERV-G		Installation Length		axial		lateral	angular
Length BL [mm]	Bellow Size DN [mm]	EL min. [mm]	EL max. [mm]	L min. [mm]	L max. [mm]	I [mm]	
130	25 - 80	120	135	100	150	± 30	± 30
130	100 - 150	120	135	100	150	± 30	± 20
130	200	115	140	105	160	± 30	± 10
130	250 - 300	125	140	120	160	± 15	± 5
150	50 - 200	140	160	115	180	± 30	± 15
160	32 - 200	150	170	130	195	± 35	± 15
175	200 - 250	165	185	160	210	± 10	± 5
200	250 - 300	190	210	160	235	± 30	± 10
200	350 - 600	190	210	160	235	± 30	± 8
250	450	240	260	210	285	± 35	± 10
250	800	240	260	210	285	± 35	± 5
260	700	250	270	220	290	± 30	± 5
300	900 - 1000	290	310	260	340	± 40	± 5

### Permissible Vacuum [mbar]

DN	32	40	50	65	80	100	125	150	200	250	300	350	400	450	500	600	700	800	900	1000
without VSD / VSR	max.	max.	max.	-700	-600	-400	-300	-300	-300	-200	-100									
with VSD			max.	max.	max.	max.	max.	max.	-600	-400	-200									
with VSR							max.	max.	max.	max.	max.	max.	max.	-700	-700	-700				
with VSRV														max.	max.	max.	max.	-700	-700	-700

Data measured at room temperature with new expansion joints of standard length and non swelling media. For swelling media use a safety factor. A compressed installation improves the table listed vacuum resistance. The maximum permissible elongation (L max.) reduces the vacuum resistance by 50%. In this case we recommend using vacuum support spirals or vacuum support rings (see catalogue page 1-106).

Dependencies of overpressure, range of movement and temperature please see table on catalogue page 1-6.

### Approvals

These certificates for type ERV-G can be downloaded from [www.flexej.co.uk](http://www.flexej.co.uk)



Overview of all certificates on catalogue page 1-2