

RER 125-19/14 N

DC centrifugal compact fan

single-intake



ebm-papst St. Georgen GmbH & Co. KG

Hermann-Papst-Str. 1
D-78112 St. Georgen
Phone +49 (0) 7724 81-0
Fax +49 (0) 7724 81-1309
info2@de.ebmpapst.com
www.ebmpapst.com

Nominal data

Type	RER 125-19/14 N	
Nominal voltage	VDC	24
Nominal voltage range	VDC	12 .. 28
Speed (rpm)	min ⁻¹	2650
Power consumption	W	4.3
Min. ambient temperature	°C	-30
Max. ambient temperature	°C	75
Air flow	m ³ /h	110
Sound power level	B	5.7

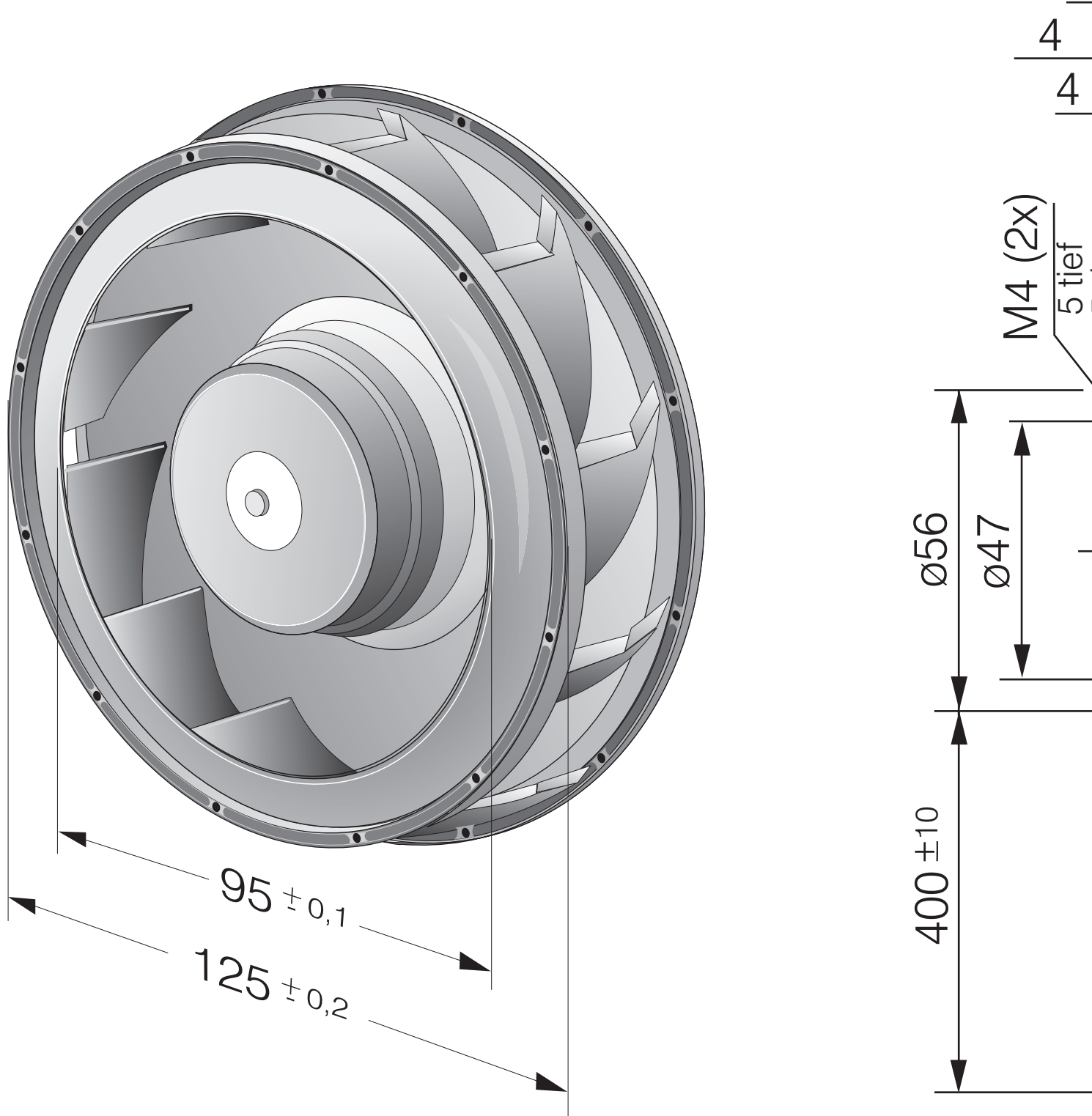
ml = Max. load · me = Max. efficiency · fa = Free air · cs = Customer specification · ce = Customer equipment
Subject to change



Technical description

General description	Backward-curved impeller
Impeller material	Glass-fiber reinforced plastic
Weight	0.320 kg
Dimensions	Ø 138 x 35 mm
Airflow direction	Axial intake, radial discharge
Direction of rotation	Clockwise, viewed toward rotor
Storage	Ball bearing
Service life L10 at 40 °C	62500 h
Service life L10 at maximum temperature	27500 h
Cable	With leads AWG 22, TR 64
Motor protection	Protection against reverse polarity and blocked rotor.
Locked-rotor protection	With electronic locked-rotor and overload protection.
Approval	VDE, CSA, UL, CE
Option	Speed signal

Product drawing



Curves: Air performance

