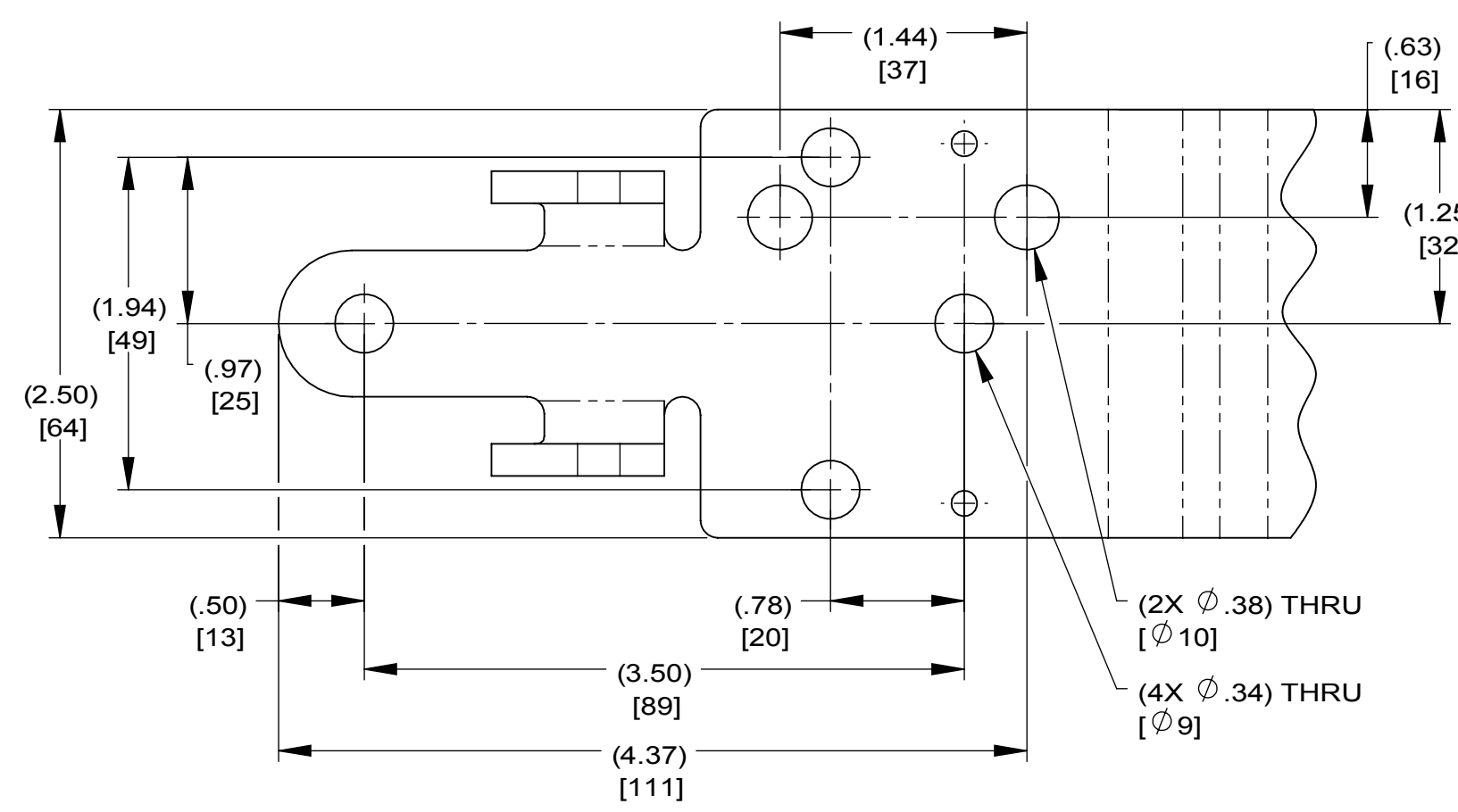
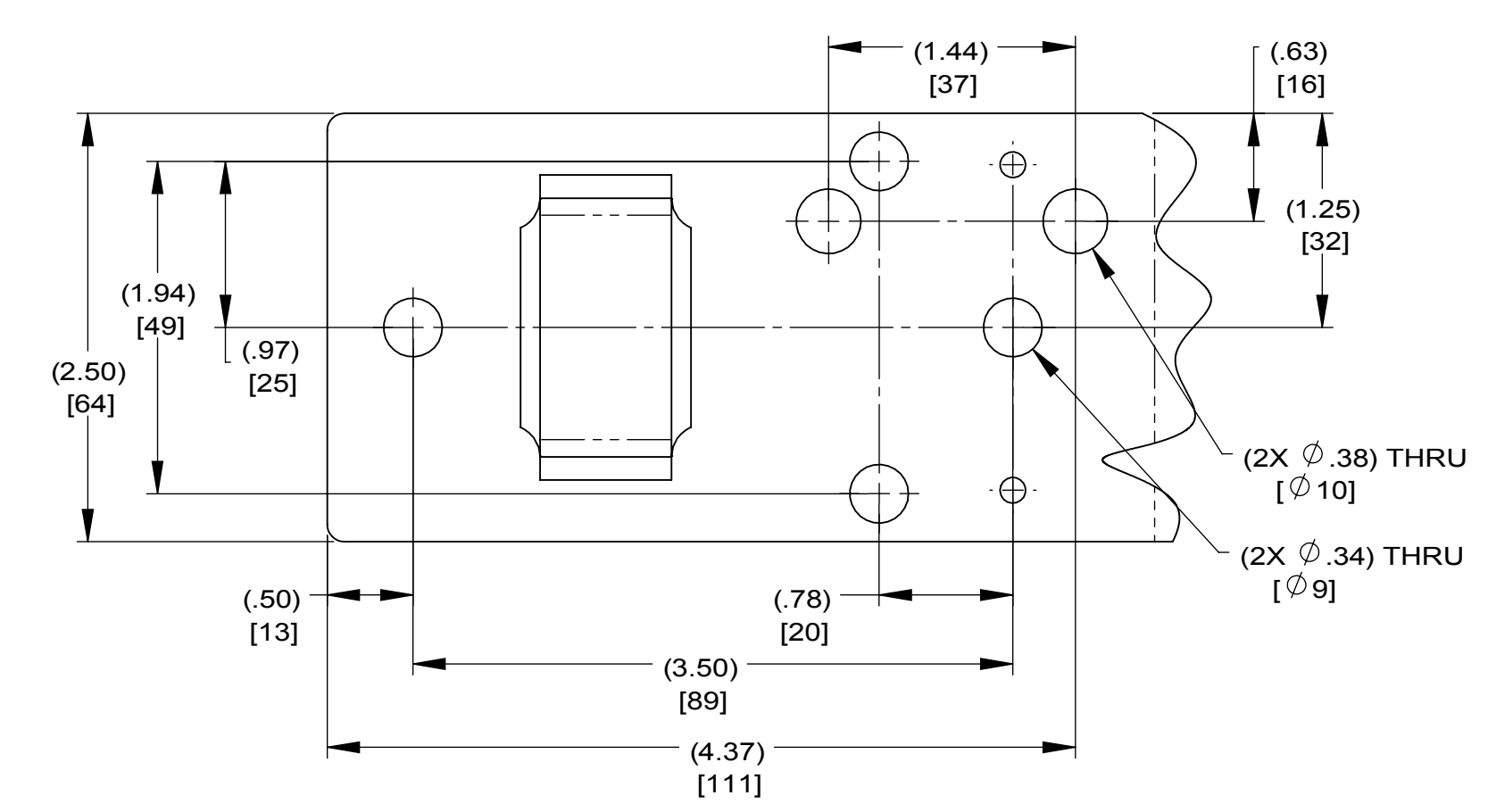


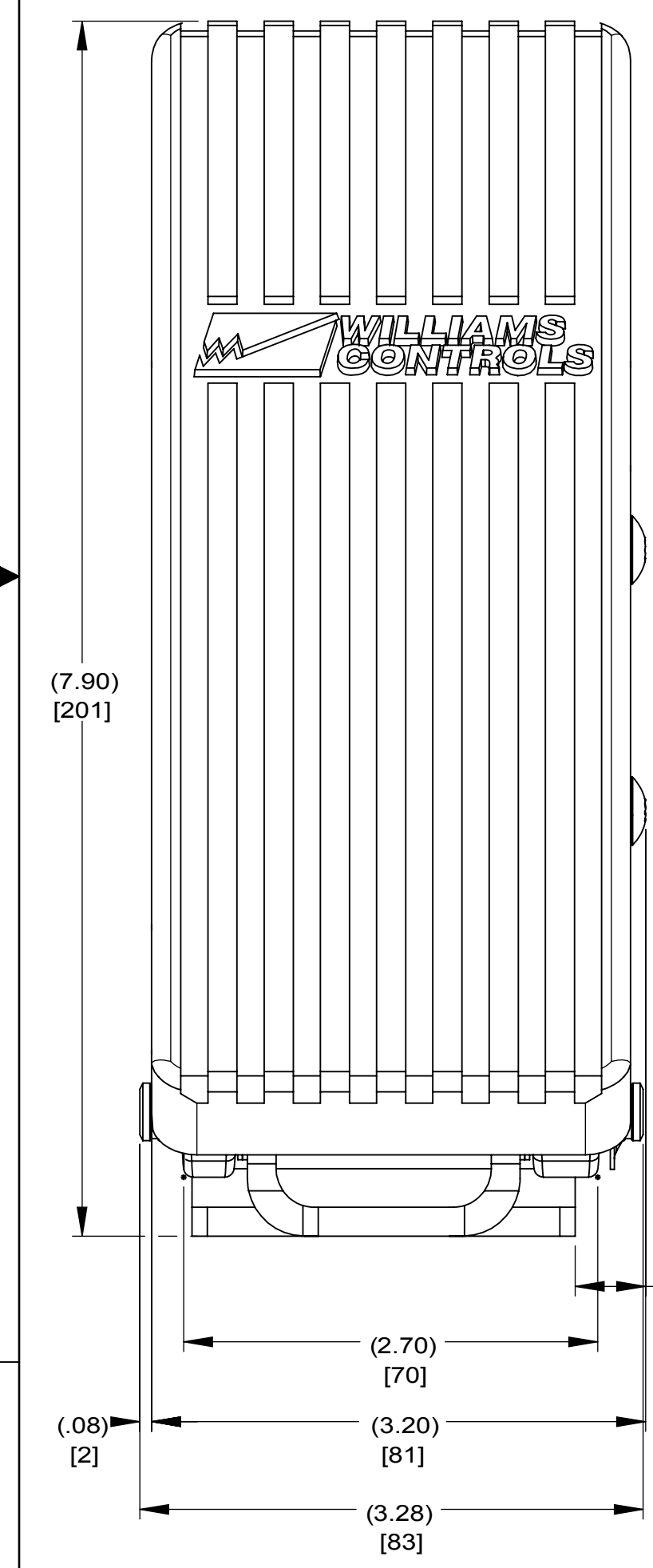
|           |        |   |          |         |          |
|-----------|--------|---|----------|---------|----------|
| DWG NO.   | 350827 |   |          | REV     | L        |
| REVISIONS |        |   |          |         |          |
| ZONE      | REV    | DESCRIPTION OF CHANGE   | APPROVED | ECN NO. | DATE     |
|           | J      | CHANGE SENSOR (ITEM 29) TO 133284.  | SCN      | 40767   | 06-05-06 |
|           | K      | CHG 42 TO 41 TO BUSHING, ADD 29 TO SENSOR   | MDC      | 41552   | 07-10-07 |
|           | L      | CORRECT CONNECTORS CONFIGURATION INFORMATION, UPDATE DRAWING ACCORDING TO CURRENT DRAFTING STANDARD |          | 001015  | 07-29-09 |



FOLDED BASEPLATE/CLEVIS STYLE 2



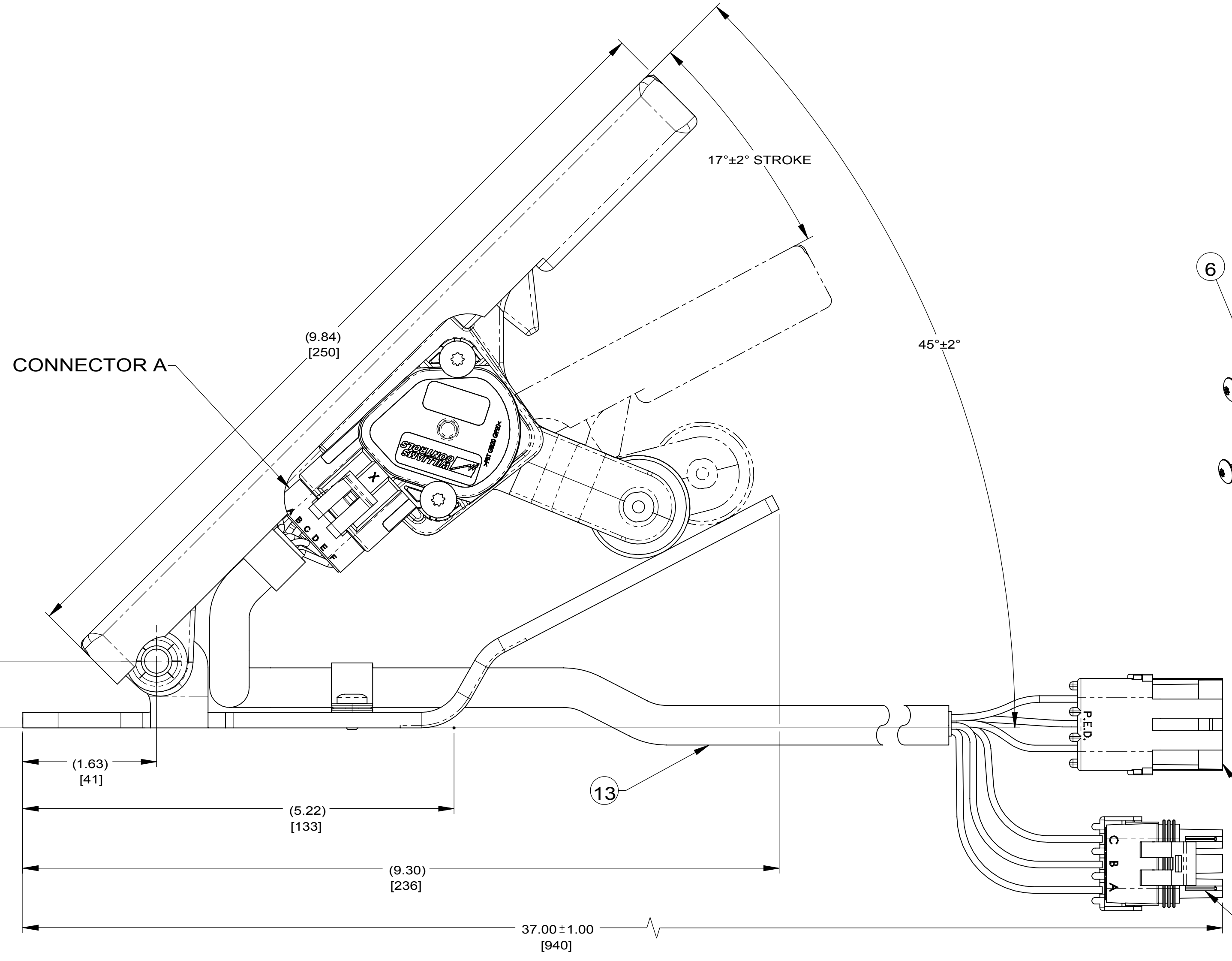
WELDED BASEPLATE/CLEVIS STYLE 2



**CONNECTOR A:**  
PACKARD ELECTRIC "METRI PACK" CONNECTOR

CONNECTOR & SEAL  
TERMINAL (FEMALE)

| PIN | COLOR  | FUNCTION        |
|-----|--------|-----------------|
| A   | BLACK  | APS SIGNAL      |
| B   | WHITE  | APS GROUND      |
| C   | RED    | APS SUPPLY (5V) |
| D   | GREEN  | THROTTLE ACTIVE |
| E   | BLUE   | IDLE ACTIVE     |
| F   | ORANGE | IVS COM         |



**CONNECTOR B:**  
PACKARD ELECTRIC "WEATHER PACK" CONNECTOR

CONNECTOR, KEY INDEX  
TERMINAL PIN (MALE)  
WIRE SEAL

|              |
|--------------|
| P/N 12010717 |
| P/N 12089040 |
| P/N 12015323 |

PIN A---WHITE---APS GROUND  
PIN B---BLACK---APS SIGNAL  
PIN C---RED---APS SUPPLY (5V)

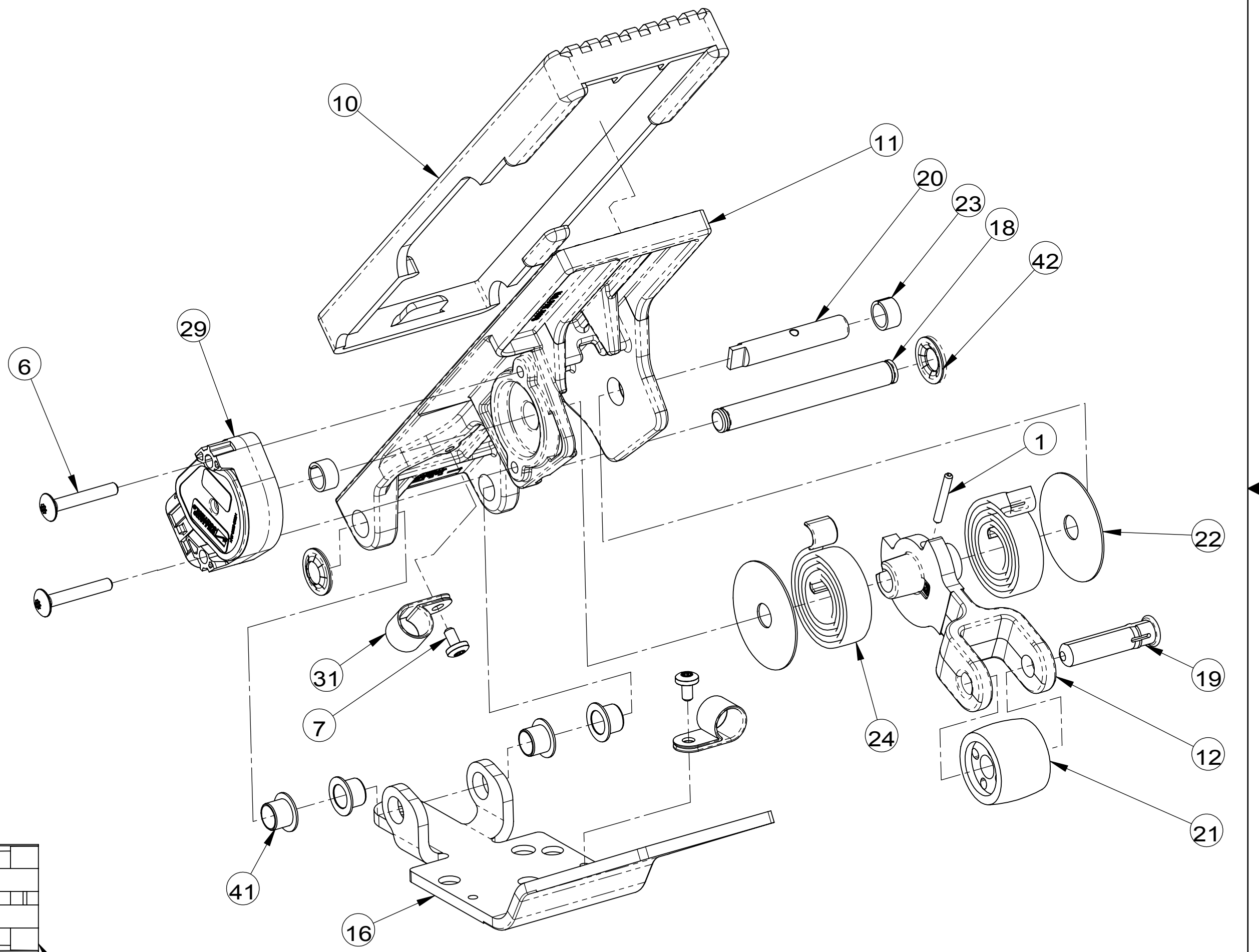
**CONNECTOR C:**  
PACKARD ELECTRIC "WEATHER PACK" CONNECTOR

CONNECTOR, KEY INDEX  
TERMINAL PIN (MALE)  
WIRE SEAL

|              |
|--------------|
| P/N 12015793 |
| P/N 12089188 |
| P/N 12015323 |

PIN C---GREEN---THROTTLE ACTIVE  
PIN B---BLUE---IDLE ACTIVE  
PIN A---ORANGE---IVS COM

NOTES - UNLESS OTHERWISE SPECIFIED:  
1. [KPC] ELECTRICAL OUTPUTS REFERENCE WCS-350827  
2. FOLDED STYLE CLEVIS WILL REPLACE WELDED STYLE CLEVIS



**WIRE:** 18 GAGE, 16 STRAND/30 AWG ANNEALED COPPER WIRE, CROSS LINKED POLYETHYLENE (CPL) INSULATION PER SAE J1128 TYPE GXL OR TXL.

**CONDUIT:** BLACK W/GRAY STRIPE ABRASION RESISTANT, HIGH TEMP. EXTRUSION GRADE NYLON CONDUIT WITH CONVOLUTIONS. NO SLIT. PACKARD "FLEXGARD" OR EQUIVALENT, NOMINAL I.D. .350 PACKARD P/N R-68491

|  |        |   |         |   |              |
|--|--------|---|---------|---|--------------|
| UNLESS OTHERWISE SPECIFIED, DIMENSIONS ARE IN INCHES PER ASME Y14.5M |        | PROPRIETARY AND CONFIDENTIAL - ALL INFORMATION ON THIS DRAWING IS CONFIDENTIAL AND THE SOLE PROPERTY OF WILLIAMS CONTROLS, INC. ANY REPRODUCTION IN PART OR AS A WHOLE WITHOUT WRITTEN PERMISSION OF WILLIAMS CONTROLS IS PROHIBITED. |         | 14100 SW 72ND AVENUE<br>PORTLAND, OR 97224<br>(503) 684-8600 FAX (503) 624-3836 |              |
| <b>TOLERANCES</b>  |        | FINISH:   |         | TITLE   |              |
| X  | ± .030 | N/A   |         | THROTTLE ASSY-ELEC., FLOOR  |              |
| X.X  | ± .010 |   |         |   |              |
| X.XX   | ± .005 |   |         |   |              |
| ANGLES   | ± .5°  |   |         |   |              |
| MATERIAL:<br>SEE SEPARATE PARTS LIST                                 |        | DATE  | SIZE    | CAGE CODE   | DWG NO.      |
|  |        | VLS   | D       | 11331   | 350827       |
|  |        | MODEL SERIES  | PROJECT | SCALE 1:1   | SHEET 1 OF 1 |
|  |        | WM-526  | 676     |   |              |