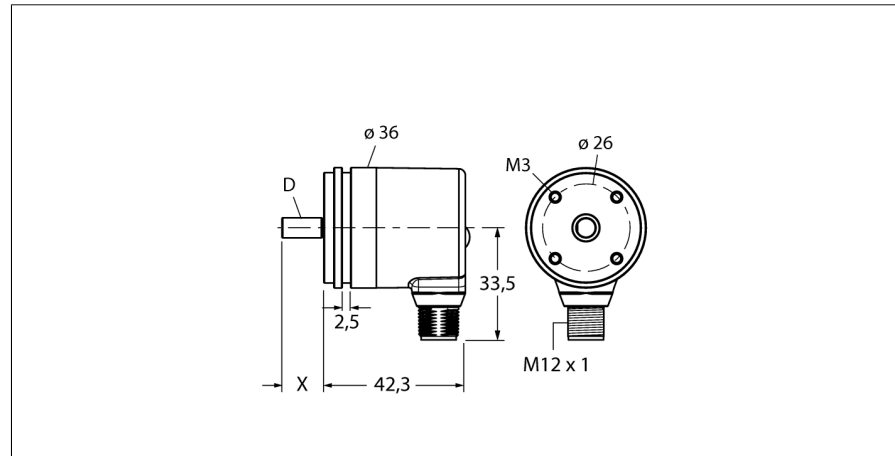


Rotative measurement
Absolute rotary encoder / single-turn
RS-06S6S-7A12B-H1151



- Clamping flange, Ø 36.5mm
- Solid shaft with flat, Ø 6 mm x 12.5 mm
- Magnetic measuring principle
- Shaft material, stainless steel
- Protection class IP69K on the shaft side
- -40...+85°C
- max. 6000 rev/min
- 10...30 VDC
- Male connector, M12 x 1, 5-pole
- Analog output, 4...20 mA
- 360° transferred into 12 bit (4096 positions)

Type designation	RS-06S6S-7A12B-H1151
Ident no.	1544038
Measuring principle	Magnetic
Max. Rotational Speed	6000 rpm
Starting torque	0.06 Nm
Measuring range	0...360°
Ambient temperature	-40...+85 °C
Operating voltage	10...30 VDC
No-load current I ₀	≤ 38 mA
Short-circuit protection	yes
Output function	5-wire, Analog output, 4...20mA
Output type	absolute singleturn
Singleturn/Resolution	12 Bit
Pulse frequency max.	300 kHz
Design	Solid shaft
Flange type	Synchro flange
Flange diameter	36 mm
Shaft Type	Shaft
Shaft diameter D	6 mm
Shaft length X	12.5 mm
Shaft material	Shaft with flat
Housing material	Stainless steel
Electrical connection	Die-cast zinc
Axial shaft load	Connectors
Radial shaft load	M12, 5-pole
Vibration resistance (EN 60068-2-6)	20 N
Shock resistance (EN 60068-2-27)	40 N
Packaging unit	10 ... 2000 Hz, 300 m/s ² - rms
Protection class housing	5000 m/s ² , 6 ms
Protection class shaft	1
	IP69k
	IP69k

**Rotative measurement
Absolute rotary encoder / single-turn
RS-06S6S-7A12B-H1151****Pin configuration**

Signal	Gnd	+U _e	Analog out	Analog Gnd	-	-	-	-	-
Pin configuration	3	2	4	5	-	-	-	-	-

Rotative measurement
Absolute rotary encoder / single-turn
RS-06S6S-7A12B-H1151

Accessories

Type code	Ident no.	Description	
RFA-2	1544631	Aluminium flange adapter, rectangular, for solid shaft encoders with clamping flange; edge length 63.5 mm; 3 mm thick	