

Verderair

VA40 metallic



VERDERAIR®

Description

The VA40 metallic double diaphragm pumps are excellent pumps for use in a wide range of applications across many industries. The reliability of those pumps and especially the air valves, have been proven in many industries since many years. The pumps are available in 2 different materials for the pump body and 7 different materials for the diaphragms. This makes it possible to select the best solution for your application.

Your benefits

- Easy to install, operate and maintain
- Less downtime
- Free of air lubrication
- Non-stalling air valve
- Can run-dry without damage
- Dry self-priming

Technical data

Weight [kg]	Fluid & air section	AA	15,2		
		SA	32,7		
		SS	40		
Max. suction lift [mwc]		Dry	2,5		
		Wet	5,5		
Temperature [°C]	Fluid section	Internals	BN, GE, HY, SP, TO	5	65
			TF, VT	5	93
	A,S	Max. Particle size [mm]			6,3
Max. recommended viscosity (mPas)			15000		

Code VA40 No.1 No.2 No.3 No.4. No.5 No.6 No.7

No.1 Fluid section

- ⚠ A = Aluminium
- ⚠ S = Stainless Steel

No.2 Air section

- A = Aluminium
- S = Stainless Steel

No.3 Check valve seats

- BN = Buna-N
- GE = Geolast
- HS = Hardened Stainless Steel
- HY = Hytrel (TPE)
- PP = Polypropylene
- SP = Santoprene

- SS = Stainless Steel
- VT = Viton (FKM)

No. 4 Check valve balls

- AC = Acetal
- BN = Buna-N
- GE = Geolast
- HS = Hardened Stainless Steel
- SP = Santoprene
- TF = Teflon
- VT = Viton (FKM)

No.5 Diaphragms

- BN = Buna-N
- GE = Geolast

- HY = Hytrel (TPE)
- SP = Santoprene
- TF = PTFE/Santoprene 2 piece
- TO = PTFE/EPDM overmolded
- VT = Viton (FKM)

No. 6 Connections

- TB = Threaded BSP
- TN = Threaded NPT

No. 7 Options

- OO = Standard
- RE = Remote

EXAMPLE PUMP TYPE

VA40AA GE GE GE TB OO

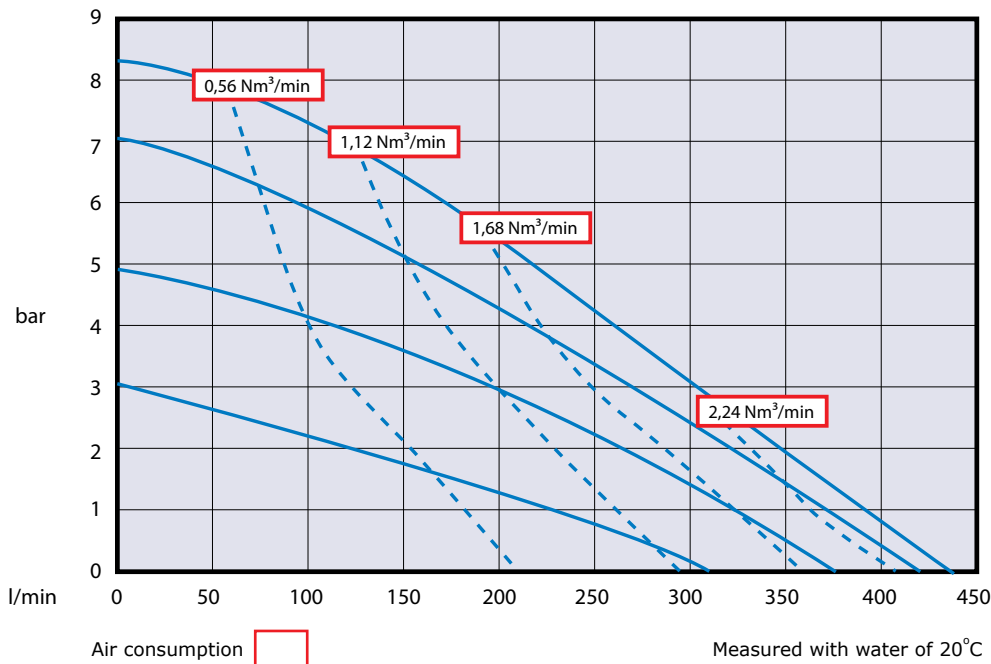
NOTE not all combinations are available

Verderair

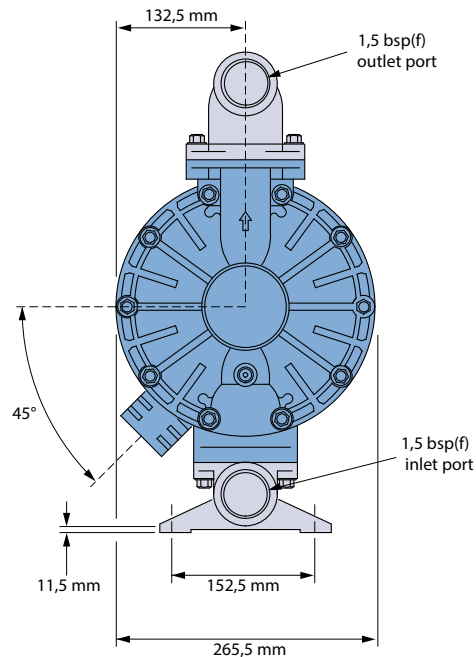
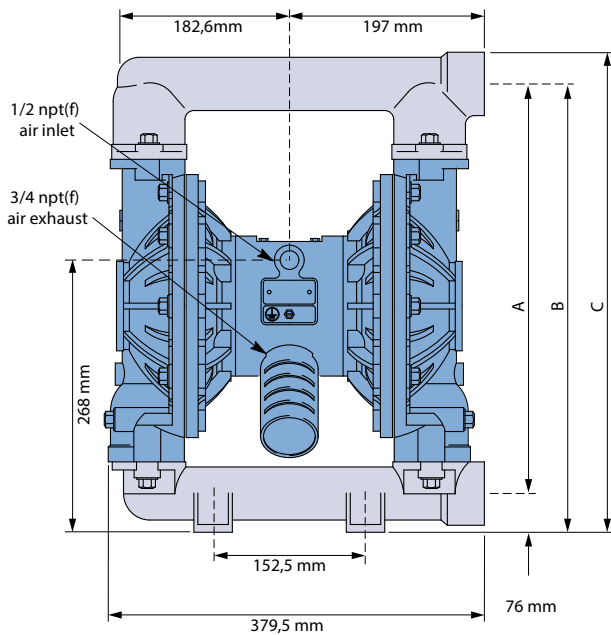
VA40 metallic



VERDERAIR®



	Dimensions Aluminum pumps	Dimensions SST pumps
A	427 mm	412,5 mm
B	465 mm	451,0 mm
C	497 mm	482,5 mm



VA40met_Technosheet_rev02_2015_(eu)

All dimensions are in mm.
All dimensions are for guidance only.

Find your local supplier
at www.verderair.com

For construction, installation and floor mounting drawings
please contact your local authorised Verderair® distributor.

VERDER
passion for pumps

