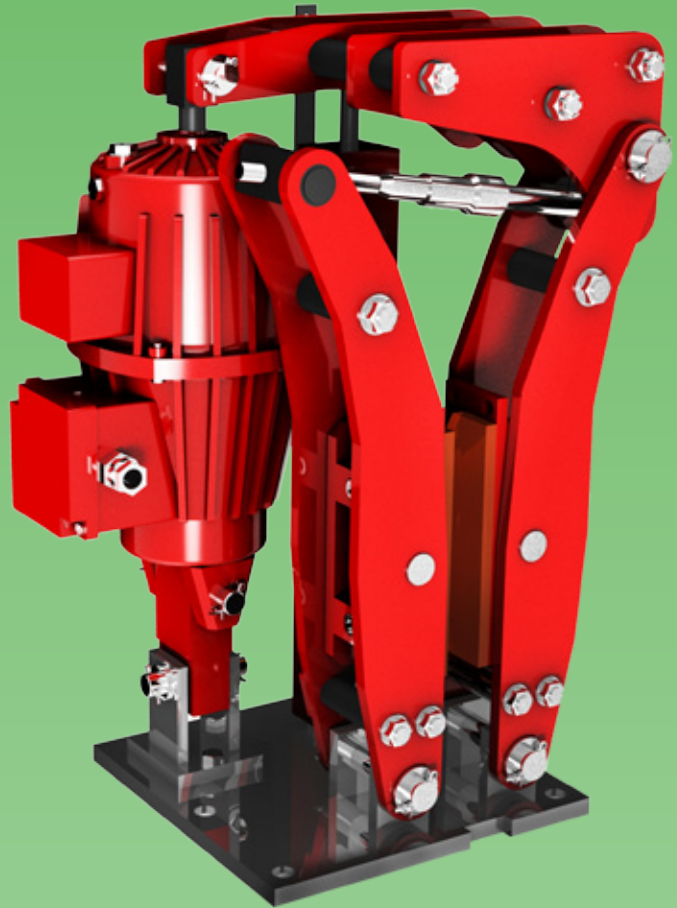


# TRANSFLUID



# TRANSFLUID

## trasmissioni industriali



**NBG - TFDS**  
DRUM AND DISC BRAKES

drive with us

# DESCRIPTION OPERATING CONDITIONS AND SELECTION

## 1. Operation

- TF Drum and Disc Brakes are negative type i.e. the braking action happens when the brake is not electrically actuated.  
The braking force is obtained by means of a spring that, through a suitable system of levers, transmits its amplified force to the braking drums through the braking pads.

## 2. Technical Features

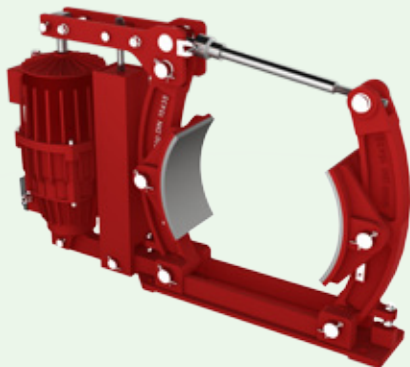
- Welded steel frame in accordance to DIN 15435 (drum brakes). Zinc coated steel frame (disc brakes).
- Epoxy resin painting (2 coatings) with RAL 3000 final color.
- Manganese phosphated pins (drum brakes). Stainless steel pins (disc brakes).
- Self lubricating bushes and stainless steel pins.
- Light alloy drums with asbestos free glued braking pads (drum brakes) Asbestos free lining pads, glued to easy-to-replace plates (disc brakes).
- Friction coefficient  $\mu = 0,42$ .
- Braking torque scale indicator.
- Protection grade IP 56.

## 3. Optionals (upon request)

- Automatic wear compensation device.
- Lining max wear indicator, fitted on rod.
- Open brake indicator, either fitted on thruster or on spring set (to be specified).
- Adjustable delay valve.
- Brake manual opening lever.
- Protection grade IP65.
- Braking drums 50% wider (drum brakes).
- Stainless steel pins instead of phosphated pins (drum brakes). (AISI 304)

## 4. Thrustor Types

- TRANSFLUID Electrohydraulic (Standard).
- Upon request:
  - EMG ELTMA Electrohydraulic.
  - EMG ELDRO Electrohydraulic.
  - Pneumatic.
  - ATEX CERTIFIED



## 5. Brake Selection Data

- Type of application.
- Stops per hour.
- Required voltage (standard 230/400 V – 50 Hz).
- Air pressure supply (in case of pneumatic actuator).
- Required optionals.
- Drum diameter and width (drum brakes).
- Disc diameter (disc brakes). Standard disc thickness is 30 mm.

## 6. Abbreviations of actuators

- TF: TRANSFLUID Electrohydraulic actuator.
- Ed: ELDRO Electrohydraulic actuator.
- Eb: ELTMA Electrohydraulic actuator .

## 7. Abbreviations of Drum and Disc Brakes

- FCA: Open brake indicator.
- FCU: Maximum wear indicator.
- LSM: Manual disengagement lever.
- SV: Adjustable delay valve.
- RG: Automatic wear compensation device.

Drum brakes only:

- L: Special large drums. (50% more than standard version)
- INOX: Stainless steel pins. (AISI 304)

Disc brakes only:

- DX: Right hand execution.
- SX: Left hand execution.

## 8. Applications

- Brake for lifting service.
- Brake for translating service.
- Emergency brake.
- Safety brake.

## 9. Quick Selection and dimensions Tables

- **Tab. A DRUM BRAKES.**
- **Tab. B DISC BRAKES**

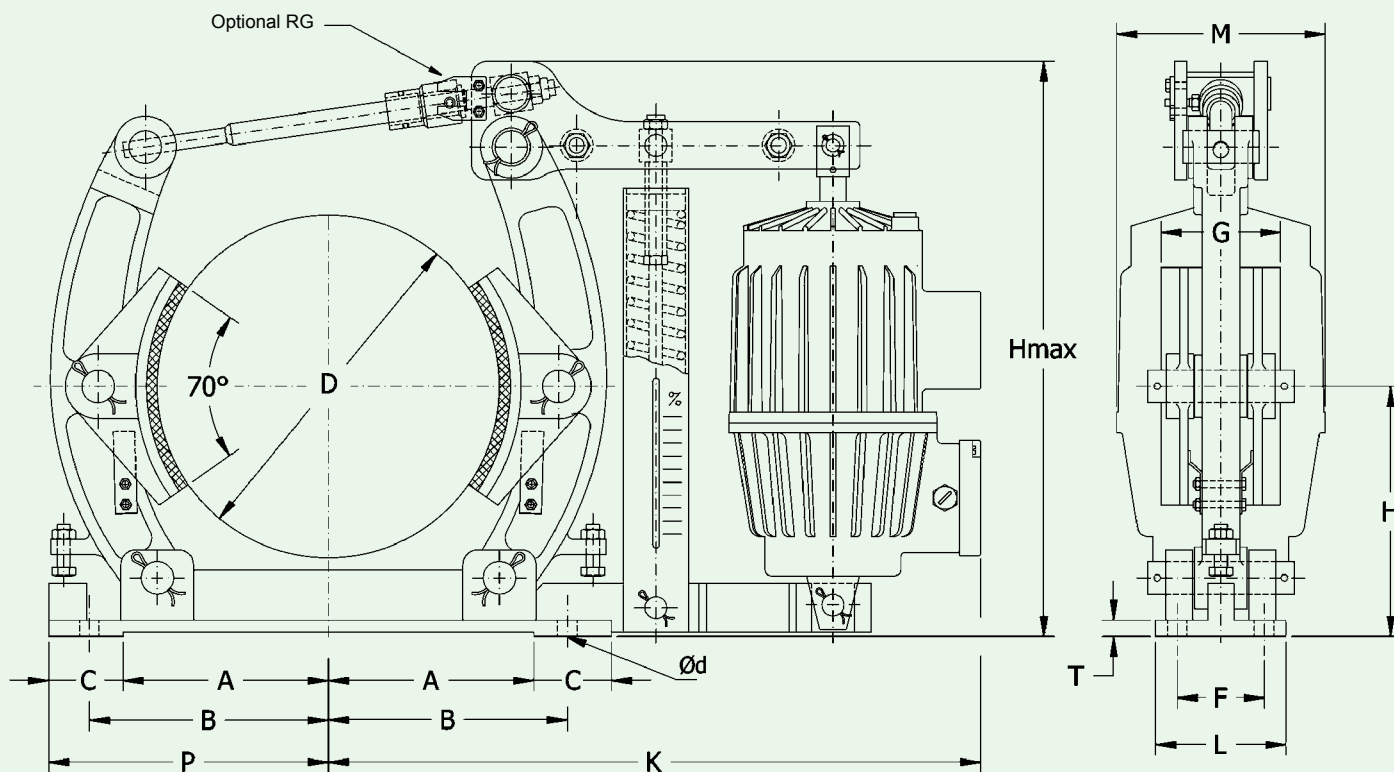


Tab. A

Brake Series	Thrustor Maximum brake torque Nm						
	TF 22/50	TF 30/50	TF 60/50	TF 75/50	TF 80/60	TF 200/60	TF 300/60
NGB 200	235	310	-				
NGB 250	265	350	695	-	-		
NGB 315	-	430	850	1050	1700		
NGB 400	-	525	1045	1330	2100		
NGB 500	-	-	-	-	2600	4200	
NB 630	-	-	-	-	3270	5400	7800

Tab. B

Brake Series	Disc dia. mm	Thrustor Maximum brake torque Nm					
		TF 22/50	TF 30/50	TF 60/50	TF 80/60	TF 200/60	TF 300/60
TDFS 1	355	290	435	870			
	400	340	490	980			
	450	390	530	1060			
	500	440	575	1150			
TDFS 2	450			1350	2700	4500	
	500			1500	3000	5000	
	560			1700	3400	5700	
	630			1850	3700	6200	
	710			2100	4200	7000	
TDFS 3	630				3900	6500	9750
	710				4410	7350	11000
	800				5050	8500	12750
	1000				6300	10500	12750
	1250				7700	12800	19000

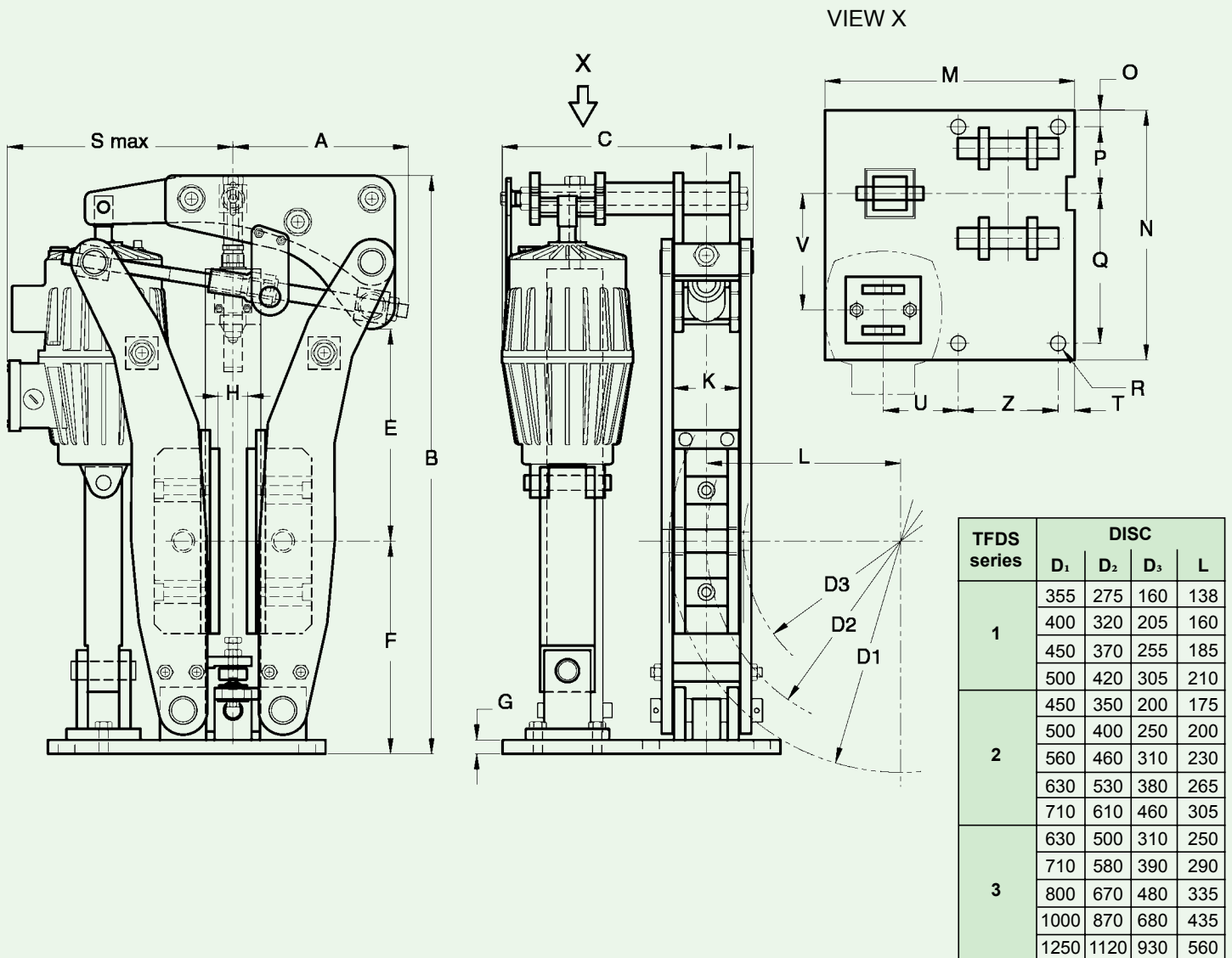


Tab. A Dimensions (mm)

SERIES NBG	Thrustor TF	D	A	B	C	d	F	G	H	Hmax	K	L	P	T	M	Total Weight kg
200	22/50	200	115	145	55	14	55	70	160	430	422	90	170	12	142	26
200	30/50	200	115	145	55	14	55	70	160	430	450	90	170	12	168	30
250	22/50	250	144	180	63	18	65	90	190	485	476	100	207	14	142	34
250	30/50	250	144	180	63	18	65	90	190	485	501	100	207	14	168	40
250	60/50	250	144	180	63	18	65	90	190	485	510	100	207	14	192	50
315	30/50	315	189	220	68.5	18	80	110	230	532	593	120	257.5	15	168	61
315	60/50	315	189	220	68.5	18	80	110	230	532	601	120	257.5	15	192	71
315	75/50	315	189	220	68.5	18	80	110	230	532	601	120	257.5	15	192	71
315	80/60	315	189	220	68.5	18	80	110	230	532	618	120	257.5	15	234	78
400	30/50	400	240	270	74	22	100	140	280	668	687	150	314	17	168	89
400	60/50	400	240	270	74	22	100	140	280	668	695	150	314	17	192	93
400	75/50	400	240	270	74	22	100	140	280	668	695	150	314	17	192	93
400	80/60	400	240	270	74	22	100	140	280	668	715	150	314	17	234	100
500	80/60	500	295	325	85	22	130	180	340	760	812	170	380	20	234	148
500	200/60	500	295	325	85	22	130	180	340	785	823	170	380	20	274	160
630*	80/60	630	350	400	100	27	170	225	420	888	903	250	475	20	234	143
630*	200/60	630	350	400	100	27	170	225	420	888	903	250	475	20	274	165
630*	300/60	630	350	400	100	27	170	225	420	888	903	250	475	20	274	167

\*(NB) steel lever arms version

DIMENSIONS ARE SUBJECT TO ALTERATION WITHOUT NOTICE



Tab. B Dimensions (mm)

TFDS series	Thrustor TF	A	B max	C	E	F	G	H	I	K	M	N	O	P	Q	R Nr. Ø	S max	T	U	V	Z	Total Weight Kg
1	22/50			221													253					72
	30/50	199	650	234	220	230			62	70	300	300		80	80	18	274		90	140	120	77
	60/50			251													286	20				79
2	60/50			316													327					125
	80/60	225	800	332	290	280		30	75	90	370	375		130	130	4	348		145	175	140	132
	200/60			354													377					155
3	80/60			352													384					241
	200/60	235	1050	372	440	370	20		95	120	410	460	50	180	180	27	395	30	155	187	160	264
	300/60			372													395					264

DIMENSIONS ARE SUBJECT TO ALTERATION WITHOUT NOTICE

**AUSTRALIA**  
TRANSFLUID AUSTRALIA PTY LTD  
Smithfield NWS 2164  
Ph. +61.297572655  
Fax +61.297560181  
tfaustralia@transfluid.it

**CHINA**  
TRANSFLUID BEIJING TRADE CO.LTD  
101300 Beijing  
Ph. +86.1060442301-2  
Fax +86.1060442305  
tbtinfo@sina.com

**FRANCE**  
TRANSFLUID FRANCE s.a.r.l.  
38110 Rochetoirin  
Ph. +33.9.75635310  
Fax +33.4.26007959  
tfrance@transfluid.it

**GERMANY**  
TRANSFLUID GERMANY GmbH  
D-48529 Nordhorn  
Ph. +49.5921.7288808  
Fax +49.5921.7288809  
tfgermany@transfluid.it

**RUSSIA**  
TRANSFLUID OOO  
143100 Moscow  
Ph. +7.495.7782042  
Mob. +7.926.8167357  
tfrussia@transfluid.it

**U.S.A.**  
TRANSFLUID LLC  
Auburn, GA 30011  
Ph. +1.770.8221.777  
Fax +1.770.8221.774  
tfusa@transfluid.it

Global web site: [www.transfluid.eu](http://www.transfluid.eu) • E-commerce web site: [www.buy-transfluid.com](http://www.buy-transfluid.com)

TRANSFLUID s.r.l. • Via Guido Rossa, 4 • 21013 Gallarate (VA) Italy • Ph. +39 0331 28421 • Fax +39 0331 2842911 • info@transfluid.it