

## Toggle latches

Steel / Stainless Steel

### SPECIFICATION

#### Types

- Type **A**: without safety catch
- Type **S**: with safety catch
- Type **SV**: for safety catch with padlock
- Type **SS**: with key lock

#### Identification No.

- No. **1**: long Type
- No. **2**: short Type

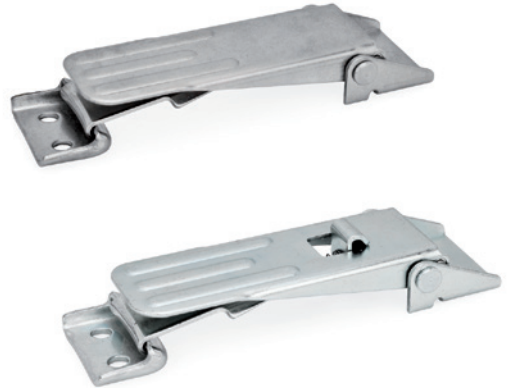
#### Version in Steel ST

zinc plated, blue passivated

#### Version in Stainless Steel NI

only Type A, S and SV

- Parts in sheet metal AISI 304
- Clamping hook / pin AISI 303



### INFORMATION

GN 821 toggle latches are used among others for the secure holding of flaps and container lids. The clamps will lock securely over the centre and are thus vibration proof.

The stroke  $w_1$  of the clamping hook can pull the parts to be clamped together by up to 6 mm. The range  $w_2$  can be adjusted on the M6 threaded spindle at the clamping hook.

The types S, SV and SS prevent unwanted release of the toggle latches.

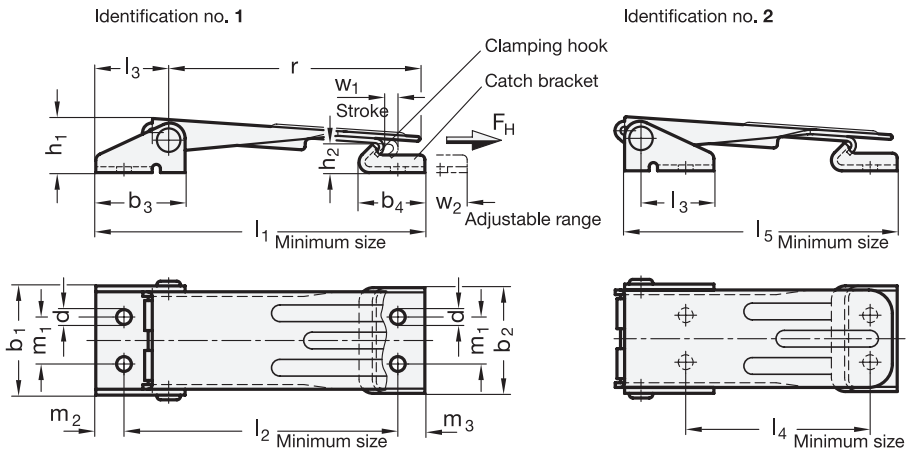
In the standard version the toggle latches of type SS have the same lock and / or the same key.

The load specified in the table are simply guide line values for a nominal static pulling force which the lock can withstand. Depending on the conditions under which these toggle latches are used such as vibration or shock loads, the holding capacity can be adversely affected.

The catch bracket is included.

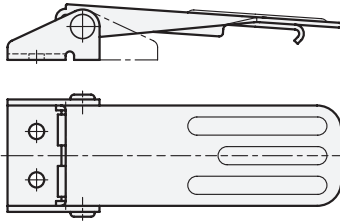
### TECHNICAL INFORMATION

- Stainless Steel characteristics (see page A26)

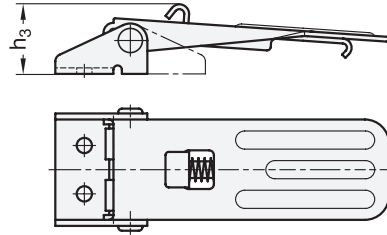


The respective long versions (identification no. 1) are pictured

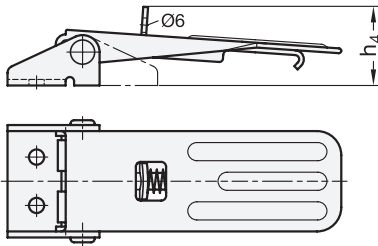
Form A  
without safety catch



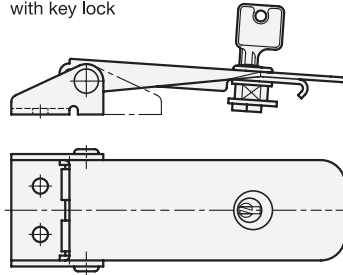
Form S  
with safety catch



Type SV  
with padlock



Type SS  
with key lock



GN 821

Description	Size	FH	N	b1	b2	b3	b4	h1	h2	h3	h4	l1 min.	l2 min.	l3	l4 min.	l5 min.	d	m1	m2	m3	r	w1 ≈ w2	⚖	
GN 821-400-A-ST-1	400	4000	46.5	45	38	27	22	12	-	-	-	144	120.5	32	-	-	6.3	20	12	11.5	107.5	6.5	15	213
GN 821-400-A-ST-2	400	4000	46.5	45	38	27	22	12	-	-	-	-	-	32	80.5	118	6.3	20	12	11.5	107.5	6.5	15	210
GN 821-400-S-ST-1	400	4000	46.5	45	38	27	22	12	28.5	-	147	123.5	32	-	-	6.3	20	12	11.5	107.5	6.5	8	220	
GN 821-400-S-ST-2	400	4000	46.5	45	38	27	22	12	28.5	-	-	-	-	32	83.5	121	6.3	20	12	11.5	107.5	6.5	8	204
GN 821-400-SV-ST-1	400	4000	46.5	45	38	27	22	12	-	32.5	144	120.5	32	-	-	6.3	20	12	11.5	107.5	6.5	15	220	
GN 821-400-SV-ST-2	400	4000	46.5	45	38	27	22	12	-	32.5	-	-	-	32	80.5	118	6.3	20	12	11.5	107.5	6.5	15	220
GN 821-400-SS-ST-1	400	4000	46.5	45	38	27	22	12	28.5	32.5	147	123.5	32	-	-	6.3	20	12	11.5	107.5	6.5	8	240	
GN 821-400-SS-ST-2	400	4000	46.5	45	38	27	22	12	28.5	32.5	-	-	-	32	83.5	121	6.3	20	12	11.5	107.5	6.5	8	240

GN 821-NI

STAINLESS STEEL

Description	Size	FH	N	b1	b2	b3	b4	h1	h2	h3	h4	l1 min.	l2 min.	l3	l4 min.	l5 min.	d	m1	m2	m3	r	w1 ≈ w2	⚖	
GN 821-400-A-NI-1	400	4000	46.5	45	38	27	22	12	-	-	-	144	120.5	32	-	-	6.3	20	12	11.5	107.5	6.5	15	220
GN 821-400-A-NI-2	400	4000	46.5	45	38	27	22	12	-	-	-	-	-	32	80.5	118	6.3	20	12	11.5	107.5	6.5	15	208
GN 821-400-S-NI-1	400	4000	46.5	45	38	27	22	12	28.5	-	147	123.5	32	-	-	6.3	20	12	11.5	107.5	6.5	8	220	
GN 821-400-S-NI-2	400	4000	46.5	45	38	27	22	12	28.5	-	-	-	-	32	83.5	121	6.3	20	12	11.5	107.5	6.5	8	218
GN 821-400-SV-NI-1	400	4000	46.5	45	38	27	22	12	-	32.5	144	120.5	32	-	-	6.3	20	12	11.5	107.5	6.5	15	220	
GN 821-400-SV-NI-2	400	4000	46.5	45	38	27	22	12	-	32.5	-	-	-	32	80.5	118	6.3	20	12	11.5	107.5	6.5	15	220

