

Technical Characteristics

Rated voltage, U_r : **3,6 kV**

Maximum continuous operating voltage, U_c : **3,1 kV**

Rated discharge current (8/20 μ s), I_r : **10 kA**

Rated short circuit current, I_{sc} : **16 kA**

Line discharge class: **1**

High current impulse (4/10 μ s): **100 kA**

Long duration current impulse (2000 μ s): **250 A**

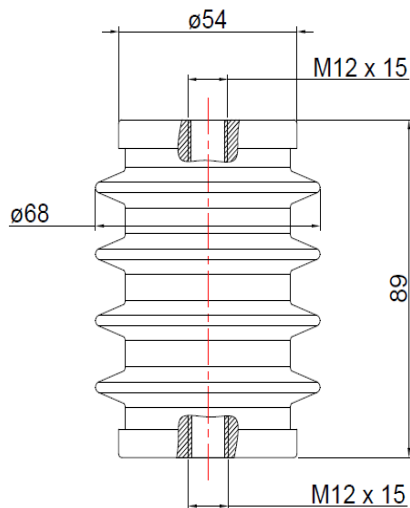
Energy absorption capability: **5,0 kJ**

Reference current: **5 mA**

Minimum reference voltage at reference current: **3,9 kV**

Minimum voltage at 1mA dc: **5,0 kV dc**

Dimensions (mm)



Arrester Housing

Housing material of arrester:

Silicone

Creepage distance of insulator:

112 mm

Impulse voltage withstand (1,2/50 μ s):

22,3 kV

Power frequency voltage withstand, dry:

10,3 kV

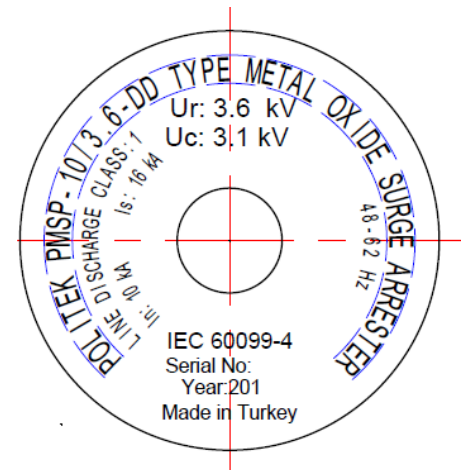
Cantilever strength M12:

220 Nm

Weight of arrester:

0,56 kg

Nameplate



Residual voltages

Steep current
impulse
(1/20 μ s)

Lightning impulse voltage
(8/20 μ s)

Switching impulse voltage
(30/60 μ s)

10 kA	2,5 kA	5 kA	10 kA	20 kA	40 kA	125 A	500 A
12,6 kV	10,4 kV	10,8 kV	11,5 kV	11,8 kV	11,9 kV	8,6 kV	8,9 kV

Power Frequency Withstand Voltage versus Time Characteristic

- Without preheating and without load
- ◆ Preheated to 60 degrees centigrade and then subjected to high current

